

READ BEFORE USE
LIRE AVANT D'UTILISER
LEA ANTES DE USAR

Visit hamiltonbeach.com for
delicious recipes, tips, and to register
your product online!



Consulter hamiltonbeach.ca pour les
recettes délicieuses, conseils pratiques,
et pour enregistrer votre produit!

Visite hamiltonbeach.com.mx para
recetas deliciosas, consejos, y para
registrar su producto en línea.

Questions?

**Please call us – our friendly
associates are ready to help.**
USA: 1.800.851.8900

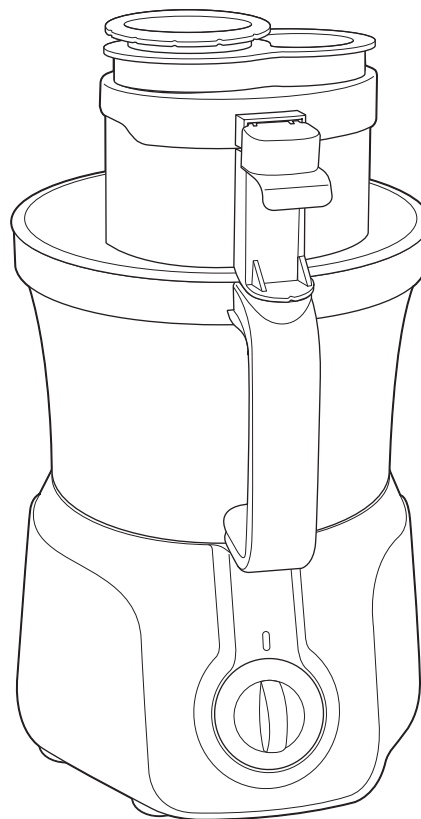
Questions?

**N'hésitez pas à nous appeler –
nos associés s'empresseront
de vous aider.**
CAN: 1.800.267.2826

¿Preguntas?

**Por favor llámenos – nuestros
amables representantes están
listos para ayudar.**
MEX: 01 800 71 16 100

*Le invitamos a leer cuidadosamente
este instructivo antes de usar su
aparato.*



**Hamilton
Beach®**

*Big Mouth™
Food Processor
Robot culinaire
Procesador de alimentos*

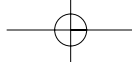
English	2
Français	13
Español	24

IMPORTANT SAFEGUARDS

When using electrical appliances, basic safety precautions should always be followed, including the following:

1. Read and save all instructions.
2. To protect against risk of electrical shock, do not immerse base, motor, cord, or plug in water or other liquid.
3. Close supervision is necessary when any appliance is used by or near children.
4. This appliance should not be used by children.
5. Unplug cord from outlet when not in use, before putting on or taking off parts, and before cleaning.
6. Avoid contacting moving parts.
7. Do not operate any appliance with a damaged cord or plug or after the appliance malfunctions or is dropped or damaged in any manner. Call our toll-free customer service number for information on examination, repair or electrical or mechanical adjustment.
8. The use of attachments not recommended or sold by the appliance manufacturer, may cause fire, electric shock, or injury.
9. Do not use your food processor if any part is broken.
10. Do not use appliance outdoors.
11. Do not let cord hang over edge of table or counter, or touch hot surfaces.
12. Keep hands and utensils away from moving blade and disc while processing food to reduce the risk of severe personal injury and/or damage to the food processor. A rubber scraper may be used but **ONLY** when the food processor is not running.
13. The blade and disc are sharp. Handle carefully. Store out of reach of children.
14. To reduce the risk of injury, never place cutting blade or disc on base without first putting bowl properly in place.
15. Be certain lid is securely locked in place before operating appliance.
16. Never feed food into food chute by hand. Always use the food pushers.
17. Do not attempt to defeat the lid interlock mechanism.
18. Make sure the blade or disc has come to a full stop before removing lid.
19. To reduce the risk of injury, be sure to insert or remove blade and disc using hubs provided for this purpose. Use caution when removing blade and disc from the bowl, when emptying the bowl, and when cleaning.
20. Be sure to turn switch to OFF (**O**) position after each use. Always use the pushers to clear the food chute. When this method is not possible, turn the motor off and disassemble unit to remove the remaining food.
21. The appliance is not intended for commercial, professional or industrial use. It is designed and built exclusively for household use only.
22. Never use appliance for a longer period or with a larger amount of ingredients other than that recommended by appliance manufacturer.
23. The maximum rating of this unit is based on using the Chopping/Mixing Blade. Using the Slicing/Shredding Disc may draw significantly less power.
24. Do not place on or near a hot gas or electric burner or in a heated oven.
25. Do not use appliance for other than intended use.

SAVE THESE INSTRUCTIONS!



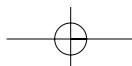
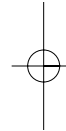
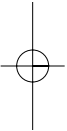
OTHER CONSUMER SAFETY INFORMATION

This product is intended for household use only.

WARNING! Shock Hazard: This appliance has a polarized plug (one wide blade) that reduces the risk of electric shock. The plug fits only one way into a polarized outlet. Do not defeat the safety purpose of the plug by modifying the plug in any way or using an adapter. If the plug does not fit, reverse the plug. If it still does not fit, have an electrician replace the outlet.

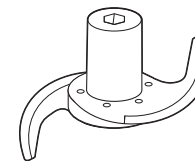
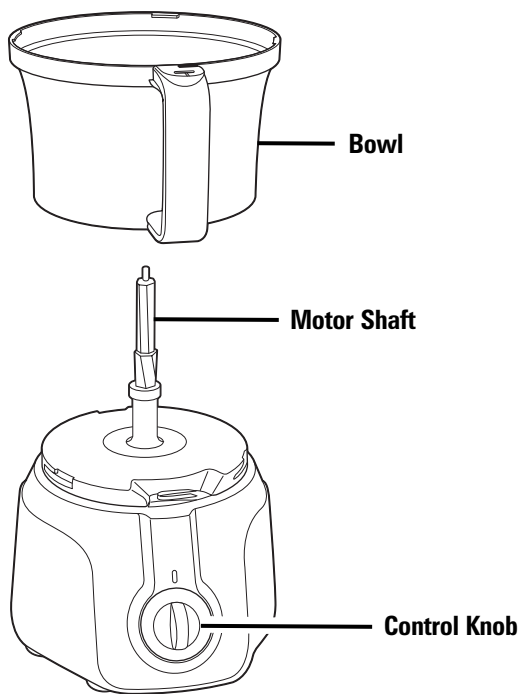
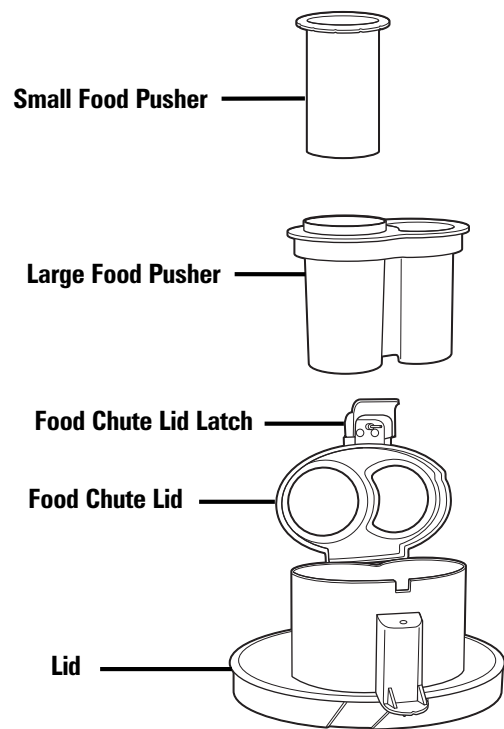
To avoid an electrical circuit overload, do not use another high wattage appliance on the same circuit with your food processor.

The length of the cord used on this appliance was selected to reduce the hazards of becoming tangled in, or tripping over a longer cord. If a longer cord is necessary an approved extension cord may be used. The electrical rating of the extension cord must be equal to or greater than the rating of the appliance. Care must be taken to arrange the extension cord so that it will not drape over the countertop or tabletop where it can be pulled on by children or accidentally tripped over.



Parts and Features

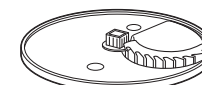
Before First Use: Unpack processor. Handle Blade and Disc(s) carefully; they are very sharp. Wash all parts except base in hot, soapy water. Rinse then dry.



Chopping/Mixing Blade
Use to coarsely chop, mince, knead, mix, or puree food.



Reversible Slicing/Shredding Disc
Use to shred cheese or to slice or shred a variety of foods (such as potatoes, pepperoni, carrots, celery, etc.).



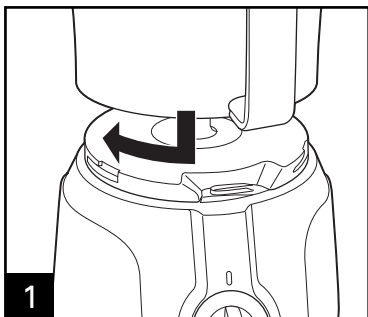
French Fry Blade
(on select models or optional accessory)

To order:
1.800.851.8900 (US)
1.800.267.2826 (Canada)

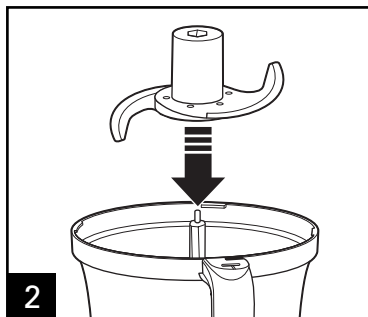
How to Use Chopping/Mixing Blade

⚠ WARNING Laceration Hazard. Handle blade carefully; it is very sharp.

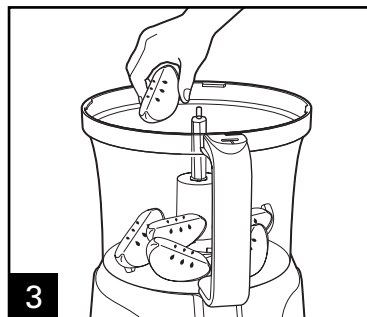
Make sure control knob is turned to OFF (O) and unit is unplugged. **NOTE:** Operate using only one blade or disc at a time.



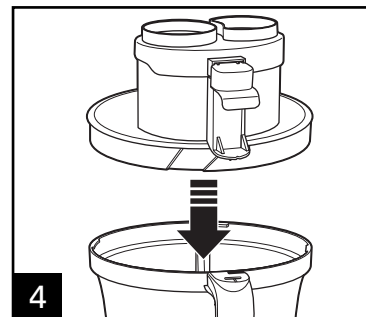
1 Align bowl and base. Turn bowl clockwise to lock into place. **NOTE:** Unit will not work unless bowl is locked.



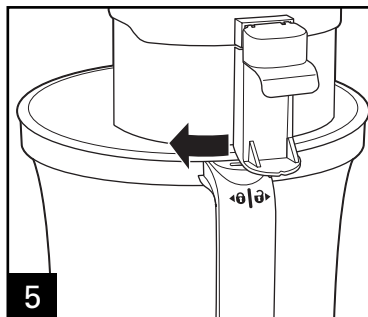
2 Carefully place blade onto motor shaft.



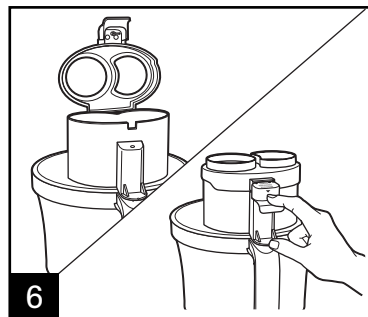
3



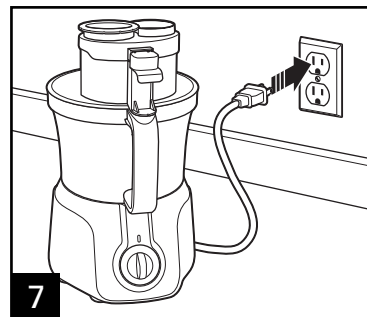
4 Align lid and bowl.



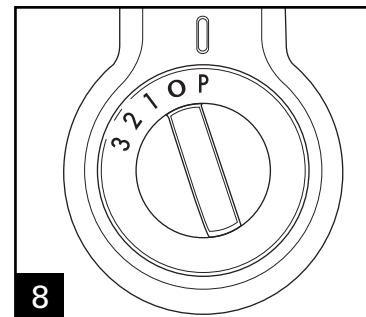
5 Turn lid clockwise to lock into place. **NOTE:** Unit will not work unless lid is locked.



6 Push lid latch firmly to lock. **NOTE:** Unit will not work unless latch is locked.

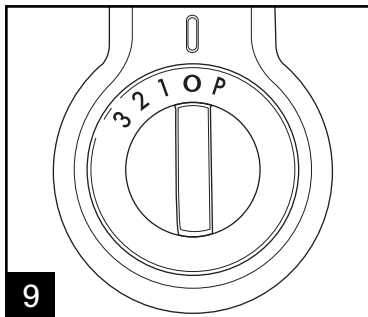


7

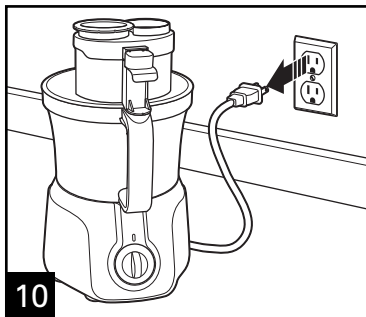


8 Pulse=Highest, 3=High, 2=Medium, 1=Low

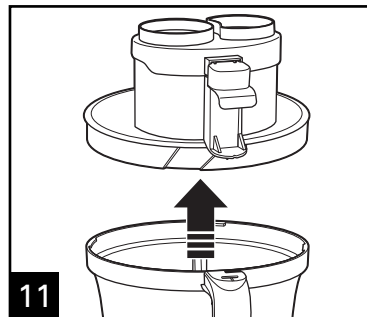
How to Use Chopping/Mixing Blade (cont.)



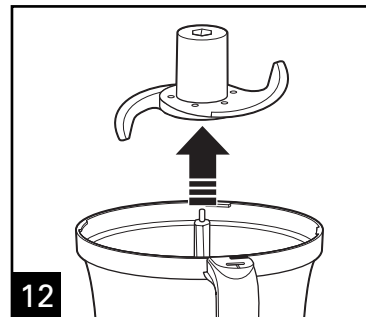
9 When finished, turn to OFF.



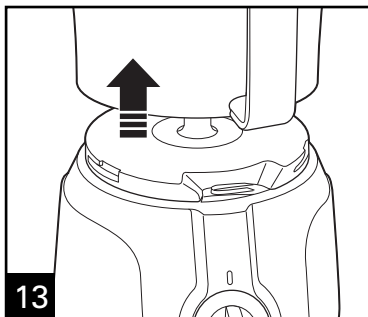
10 **WARNING!** Laceration Hazard:
Always wait until blade has stopped moving before removing lid.



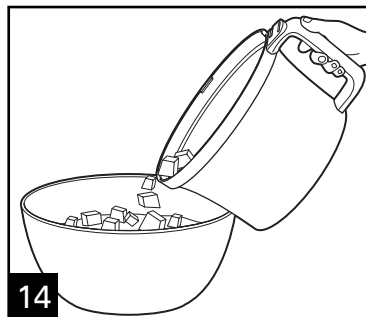
11 Always remove lid before removing bowl to avoid possible damage to the appliance.



12 Carefully remove blade from motor shaft.



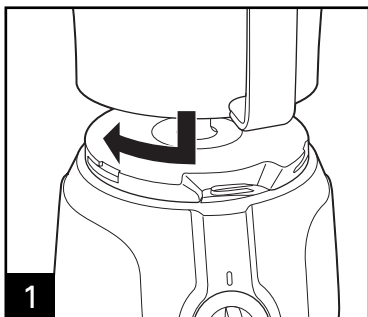
13



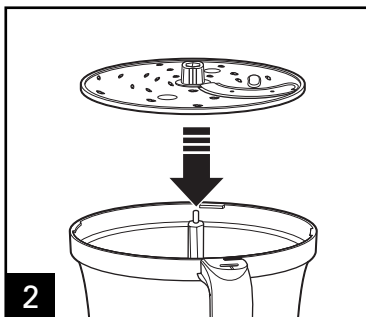
14

How to Use Slicer/Shredder Disc

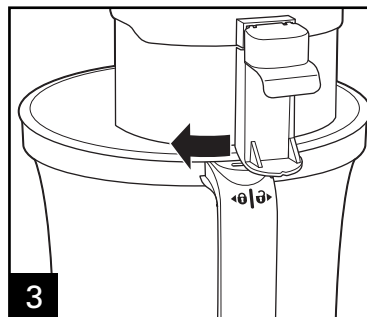
⚠ WARNING Laceration Hazard. Handle blade carefully; it is very sharp. Make sure control knob is turned to OFF (O) and unit is unplugged. **NOTE:** Operate using only one blade or disc at a time.



1 Align bowl and base. Turn bowl clockwise to lock into place. **NOTE:** Unit will not work unless bowl is locked.



2 Carefully place disc onto motor shaft with desired side facing UP.

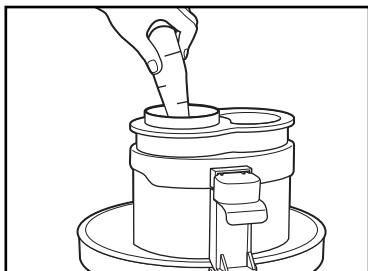


3 Align lid and bowl. Turn lid clockwise to lock into place. **NOTE:** Unit will not work unless lid is locked.



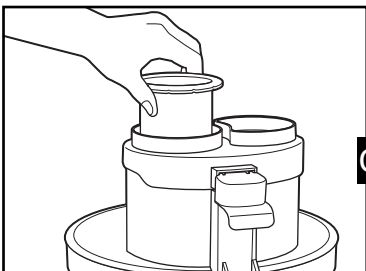
4A SMALLER, THINNER FOODS

Close lid and push lid latch firmly to lock. **NOTE:** Unit will not work unless latch is locked.



SMALLER, THINNER FOODS

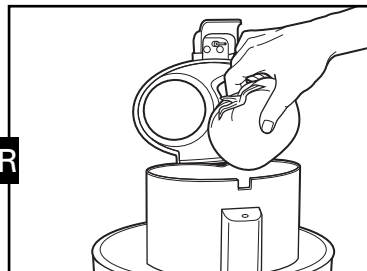
Put large food pusher into place. Place food into open tube of large food pusher.



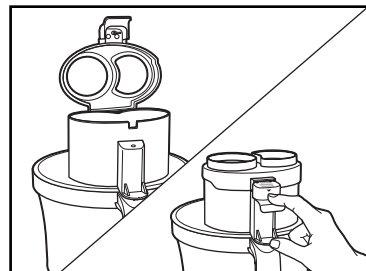
SMALLER, THINNER FOODS

Push small, thin food with small food pusher. Never push food through chute with fingers.

OR



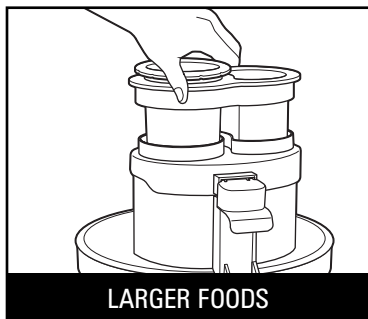
4B LARGER FOODS



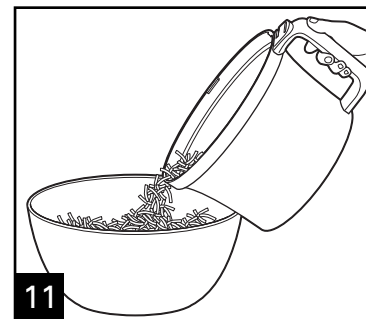
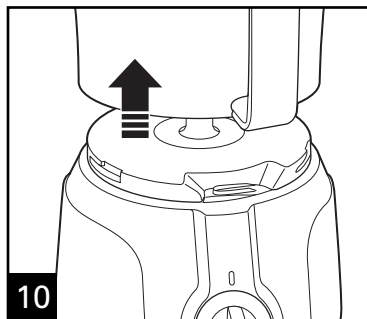
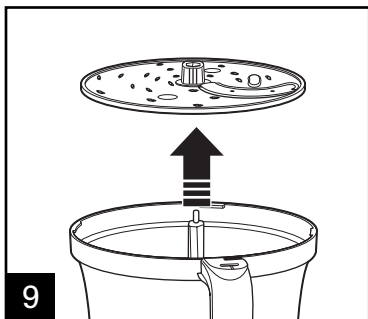
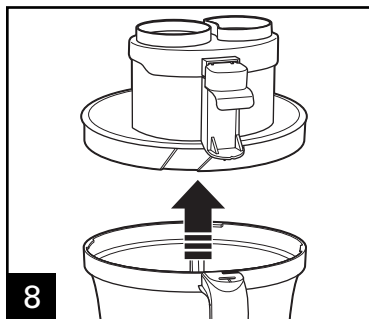
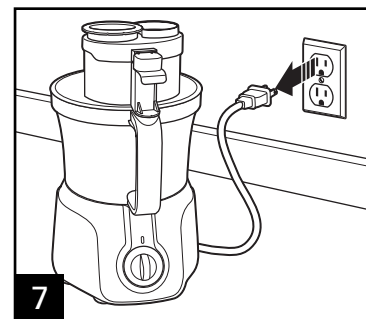
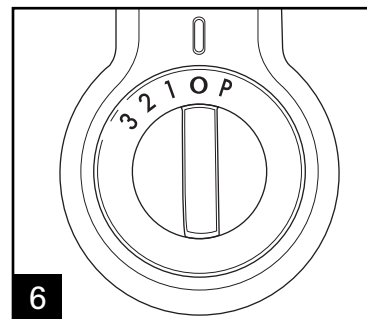
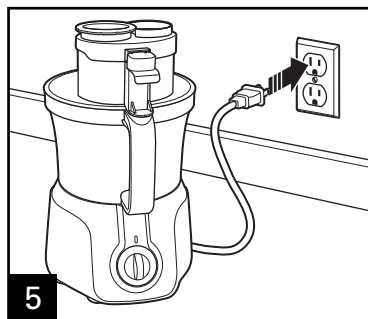
LARGER FOODS

Close lid and push lid latch firmly to lock. **NOTE:** Unit will not work unless latch is locked.

How to Use Slicer/Shredder Disc (cont.)



Push large foods using large and small food pushers together. Never push food through chute with fingers.



Tips and Techniques

- For a more uniform consistency, start with pieces of food that are similar in size. Cut food into 1-inch (2.5 cm) pieces before processing with Chopping/Mixing blade.
- This food processor is excellent to chop, mix, slice, or shred most foods. However, to maintain peak performance, do not use your food processor for the following: grinding grain, coffee beans or spices; slicing frozen meat; or crushing ice.
- When chopping foods, pulsing on and off will produce the best results.
- Operating time will depend on quantity of food being processed. Most foods can be sliced, chopped, or shredded in seconds. If unit is operated for 2 minutes continuously, let the processor rest about 4 minutes before continuing.
- Do not puree or mash starchy vegetables like potatoes as they are easily over-processed and will turn gummy.
- To slice or shred cheese, select firm cheese like Cheddar, Monterey Jack, or Swiss. For best results, process cheese that is well chilled.
- The Reversible Slicing/Shredding Disc has a slicing blade on one side and shredding teeth on the other. The name engraved on the blade, facing up, is the function selected. Place on motor shaft with desired cutting edge facing up.
- To julienne vegetables, slice then remove from bowl and restack the vegetables. Pack into food chute with slices vertical. Slice again to make match-stick cut vegetables.

Processing Charts

Disc attachments are reversible and labeled. This label should face up for the desired function. When using disc attachments, do not process past the MAX LEVEL on the Bowl.

ATTACHMENT	FOODS
Chopping/Mixing Blade (chop, mince, knead, mix, puree)	Vegetables, Fruit, Meat, Nuts, Bread Dough, Hard Cheeses such as Parmesan (chilled)
Slicing Disc (slicing side facing UP)	Vegetables, Fruit, Firm Cheeses (chilled)
Shredding Disc (shredding side facing UP)	Vegetables, Cheese (chilled)

For best results do not exceed the following amounts when chopping, mincing, or pureeing with the Chopping/Mixing Blade.

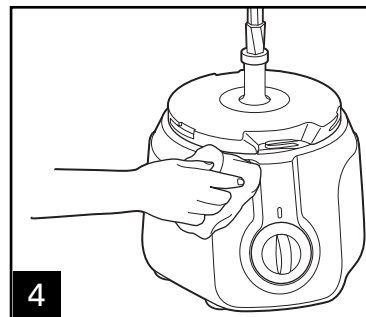
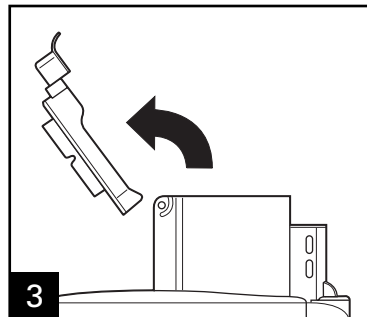
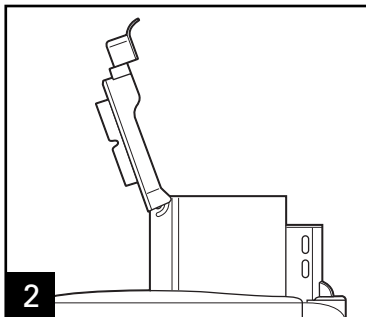
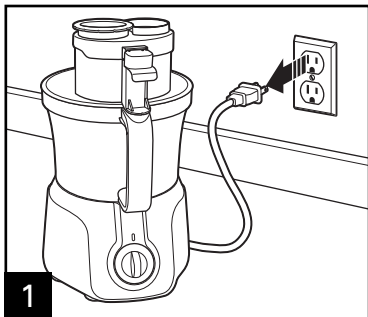
FOOD	MAXIMUM AMOUNT
Fruits and Vegetables	3 to 4 cups (750 g to 1 L) (cut in 1" [2.5 cm] cubes)
Meats	2 lbs. (900 g) (cut in 1" [2.5 cm] cubes)
Parmesan or Romano	15 ounces (425 g) (cut in 1" [2.5 cm] cubes)
Crackers	14 cups (3.5 L) (can fill bowl and lid up into chute)
Nuts	4 cups (1 L)

Cleaning and Care

⚠ WARNING

Electrical Shock Hazard.

Disconnect power before cleaning. Do not immerse cord, plug, or base in any liquid.



Wipe base, control knob, and cord with a damp cloth or sponge. To remove stubborn soil, use a mild non-abrasive cleanser.

TO STORE: Place bowl on base and then place Chopping/Mixing Blade and Slicer/Shredder Disc onto the motor shaft. Place lid on bowl. To prevent damage to the bowl **DO NOT LOCK**.



Visit hamiltonbeach.com for delicious recipes, tips, and to register your product online!



Troubleshooting

POTENTIAL PROBLEM

PROBABLE CAUSE

Unit does not operate on any speed or Pulse.

- Is the unit plugged in? Does the outlet work?
- Are the bowl, bowl lid, and food chute lid all locked in place? See How to Use sections.

Food is not chopped, sliced or shredded uniformly.

- Packing too much food in the food chute, or pushing too hard on the food pushers may cause the processed food to be irregularly sliced or shredded. Refer to the food processing charts for recommended sizes and quantities.

Unit stops and will not come back on.

- Are the bowl, bowl lid, and food chute lid all locked in place? They may have moved slightly during processing. See How to Use section.
- Is the outlet still working? Check it by plugging in a working lamp or other appliance. You may have overloaded the circuit and blown a fuse or tripped the circuit breaker.
- Turn unit OFF, allow to stand for 3 to 4 minutes, then turn back ON. If none of these suggestions correct the problem, DO NOT attempt to repair the unit. Call the Customer Service number to get the name of your nearest Authorized Service Center.

Unit has a burning smell.

- There may be a residue left on the motor from the manufacturing process, causing a slight odor during initial use. This will go away. If a strong odor or any visible smoke appears, unplug unit and IMMEDIATELY and call the Customer Service number.

Motor seems weak.

- Are you using the recommended food size and quantity to be processed? Refer to the Food Processing Charts for recommended food sizes and speeds.

Limited Warranty

This warranty applies to products purchased in the U.S. or Canada.

This product is warranted to be free from defects in material and workmanship for a period of one (1) year from the date of original purchase, except as noted below. During this period, we will repair or replace this product at our option. THE FOREGOING WARRANTY IS IN LIEU OF ANY OTHER WARRANTY OR CONDITION, WHETHER EXPRESS OR IMPLIED, WRITTEN OR ORAL INCLUDING, WITHOUT LIMITATION, ANY STATUTORY WARRANTY OR CONDITION OF MERCHANTABILITY OR FITNESS FOR A PARTICULAR PURPOSE. ANY LIABILITY IS EXPRESSLY LIMITED TO AN AMOUNT EQUAL TO THE PURCHASE PRICE PAID, AND ALL CLAIMS FOR SPECIAL, INCIDENTAL AND CONSEQUENTIAL DAMAGES ARE HEREBY EXCLUDED. There is no warranty with respect to the following, which may be supplied with this product, including without limitation: glass parts, glass containers, cutter/strainers, blades, seals, gaskets, clutches, motor brushes, and/or agitators, etc. This warranty extends only to the original consumer purchaser and does not cover a defect resulting from abuse, misuse, neglect including failure to clean product regularly in accordance with manufacturer's instructions, use for commercial purposes, or any use not in conformity with the printed directions. This warranty gives you specific legal rights, and you may also have other legal rights which vary from state to state, or province to province. Some states or provinces do not allow limitations on implied warranties or special, incidental or consequential damages, so the foregoing limitations may not apply to you.

If you have a claim under this warranty, **DO NOT RETURN THE APPLIANCE TO THE STORE!** Please call our CUSTOMER SERVICE NUMBER. (For faster service please have model, series, and type numbers ready for operator to assist you.)

CUSTOMER SERVICE NUMBERS

In the U.S. 1.800.851.8900

In Canada 1.800.267.2826

In Mexico 01.800.71.16.100

hamiltonbeach.com

KEEP THESE NUMBERS FOR FUTURE REFERENCE!

IMPORTANTES CONSEILS DE SÉCURITÉ

Pendant l'utilisation d'appareils électriques, des mesures de sécurité élémentaires doivent toujours être respectées, incluant les suivantes :

1. Lire et conserver toutes les instructions.
2. Pour éviter les risques d'électrocution, ne pas immerger la base, le moteur, le cordon et la fiche dans l'eau ou tout autre liquide.
3. Une supervision vigilante est nécessaire pendant l'utilisation de tout appareil par ou près des enfants.
4. Cet appareil ne doit pas être utilisé par un enfant.
5. Débrancher le cordon de la prise dès la fin de l'utilisation, avant d'installer ou de retirer des pièces et avant le nettoyage.
6. Éviter de toucher des pièces mobiles.
7. Ne pas utiliser aucun appareil dont le cordon ou la prise est endommagé, ou toutes anomalies de fonctionnement de l'appareil, une chute ou tout autre dommage quel qu'il soit. Appelez la ligne sans frais du Service à la clientèle pour plus d'information à propos d'une vérification, réparation ou réglage électrique ou mécanique.
8. L'utilisation d'accessoires non recommandés par le fabricant ou vendus par le fabricant de l'appareil peut provoquer un incendie, une électrocution ou des blessures.
9. Ne pas utiliser votre robot culinaire avec des pièces brisées.
10. Ne pas utiliser cet appareil à l'extérieur.
11. Ne pas laisser pendre le cordon de la table ou du comptoir et éviter tout contact avec les surfaces chaudes.
12. Tenir les mains et les ustensiles éloignés d'une lame et d'un disque en mouvement pendant la transformation des aliments pour éviter les blessures graves et les dommages au robot culinaire. Un racloir en plastique peut être utilisé, mais **UNIQUEMENT** pendant l'arrêt du robot culinaire.
13. La lame et le disque sont coupants. Manipuler avec soins. Ranger hors de la portée des enfants.
14. Pour éviter les risques de blessures, ne jamais placer la lame de coupe ou un disque sur le socle sans avoir préalablement installé le récipient correctement.
15. S'assurer que le couvercle est en place et bien verrouillé avant de faire fonctionner l'appareil.
16. Ne jamais introduire d'aliments dans l'entonnoir avec les mains. Toujours utiliser les poussoirs.
17. Ne pas tenter de démonter le mécanisme de verrouillage.
18. S'assurer que la lame ou le disque effectue un arrêt complet avant de retirer le couvercle.
19. Pour éviter les risques de blessures, s'assurer d'installer ou de retirer la lame et le disque en utilisant les embouts fournis à cet effet. Utiliser la prudence lors du retrait de la lame ou du disque du récipient, pendant le vidage du récipient et lors du nettoyage.
20. S'assurer que le commutateur est en position d'arrêt (O) après chaque utilisation. Toujours utiliser les poussoirs pour désobstruer l'entonnoir. Lorsque cette méthode est impossible, arrêter le moteur et démonter le récipient pour retirer les aliments coincés.
21. Cet appareil n'est pas conçu pour une utilisation commerciale, professionnelle ou industrielle. Cet appareil est uniquement conçu pour une utilisation domestique.
22. Ne jamais prolonger le temps de fonctionnement de cet appareil ou utiliser des quantités d'aliments supérieures aux recommandations du fabricant.
23. La valeur nominale de cet appareil est basée sur l'utilisation de la lame à hacher/mélanger. L'utilisation du disque à trancher/râper exige est moins énergivore.
24. Ne pas placer sur ou près d'un brûleur à gaz ou électrique chaud ou dans un four chaud.
25. N'utiliser cet appareil que pour les fonctions auxquelles il est destiné.

CONSERVER CES INSTRUCTIONS!

AUTRE CONSIGNE DE SÉCURITÉ POUR LE CONSOMMATEUR

Cet appareil est conçu pour une utilisation domestique seulement.

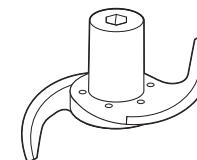
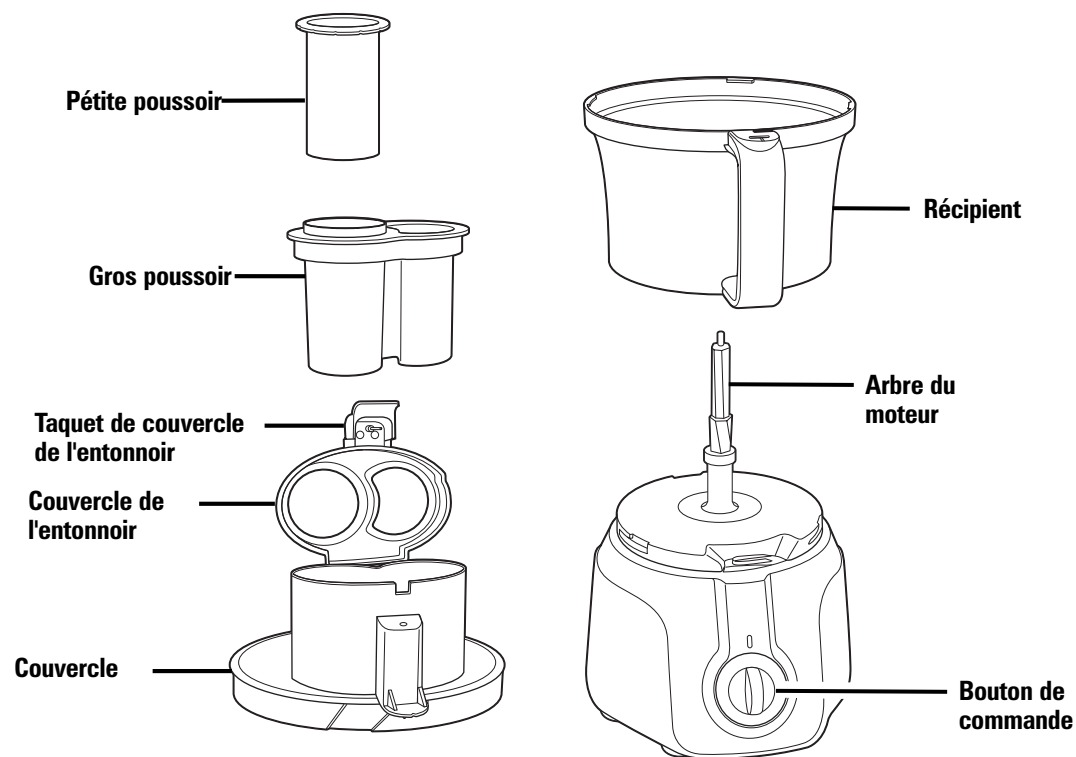
AVERTISSEMENT! Risque d'électrocution : Cet appareil est doté d'une fiche polarisée (lame large) qui réduit le risque d'électrocution. Cette fiche s'insère d'une seule manière dans une prise polarisée. Ne pas transformer le dispositif de sécurité de la fiche en modifiant celle-ci de quelque manière que ce soit ou en utilisant un adaptateur. Si la fiche refuse de s'insérer, inversez-la. Si elle refuse toujours de s'insérer, faites remplacer la prise par un électricien.

Pour éviter la surcharge du circuit électrique, ne pas faire fonctionner d'autre appareil à grande puissance sur le même circuit que le robot culinaire.

La longueur du cordon installé sur cet appareil a été sélectionnée afin de réduire les risques d'enchevêtrement ou de faux pas causés par un fil trop long. L'utilisation d'une rallonge approuvée est permise si le cordon est trop court. Les caractéristiques électriques de la rallonge doivent être équivalentes ou supérieures aux caractéristiques de l'appareil. Prendre toutes les précautions nécessaires pour installer la rallonge de manière à ne pas faire courir sur le comptoir ou sur une table pour éviter qu'un enfant ne tire sur le cordon ou trébuche accidentellement.

Pièces et caractéristiques

Avant la première utilisation : Déballage du robot culinaire Manipuler la lame et les disques avec soins; elles sont très coupantes. Laver toutes les pièces, sauf le socle, à l'eau chaude savonneuse. Rincer et sécher.



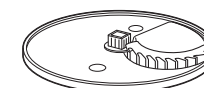
Lame à hacher/mélanger

Utiliser pour hacher et émincer grossièrement, pétrir, mélanger ou mettre des aliments en purée jusqu'à consistance lisse.



Disque à trancher/râper réversible

Utiliser ce disque pour râper le fromage ou couper en tranches or raper un assortiment d'aliments (comme pommes de terre, saucisson épicé, carottes, céleri, etc.).



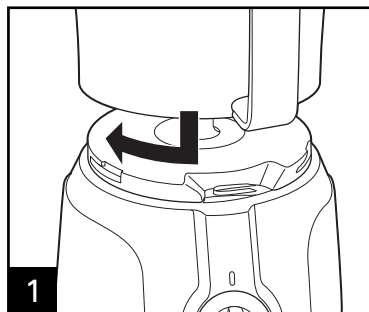
Lame pour patates frites (sur certains modèles ou accessoire optionnel)

Pour commander :
1.800.851.8900 (É.-U.)
1.800.267.2826 (Canada)

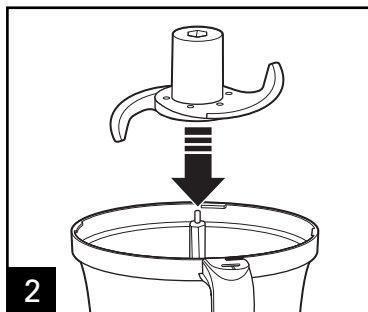
Utilisation de la lame à hacher/mélanger

⚠ AVERTISSEMENT Risque de déchirures. Tenir la lame avec soins; elle est très coupante.

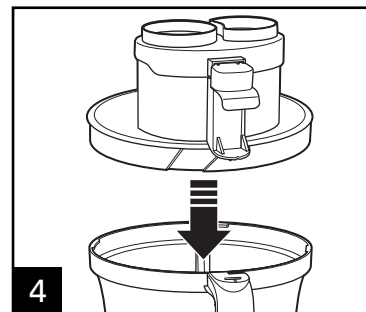
S'assurer que le bouton de commande est en position d'arrêt (O) et que l'appareil est débranché. NOTE : N'utiliser qu'une seule lame ou un seul disque à la fois.



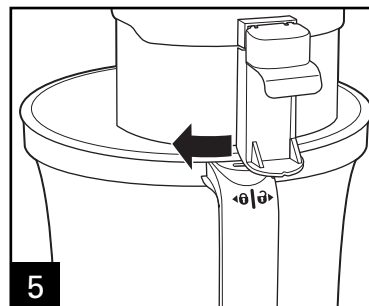
1 Aligner le récipient au socle. Tourner le récipient dans le sens des aiguilles d'une montre pour le verrouiller en place. **NOTE** : L'appareil ne fonctionne que si le récipient est verrouillé.



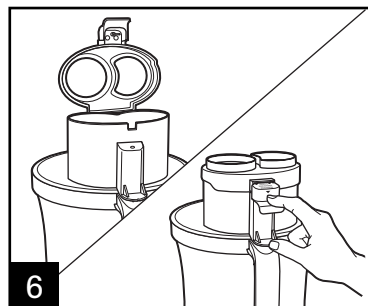
2 Placer soigneusement la lame sur l'arbre du moteur.



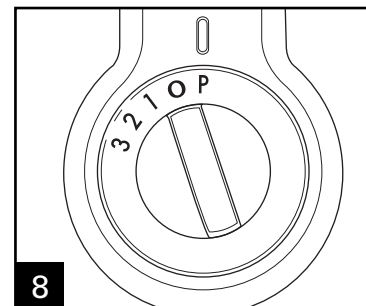
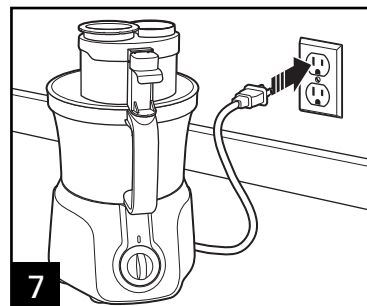
4 Aligner le récipient au socle.



5 Tourner le couvercle dans le sens des aiguilles d'une montre pour verrouiller en place. **NOTE** : L'appareil ne fonctionne que si le couvercle est verrouillé.

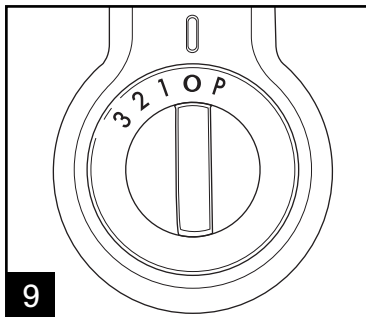


6 Appuyer sur le taquet couvercle pour le verrouiller fermement. **NOTE** : L'appareil ne fonctionne que si le taquet de couvercle est verrouillé.

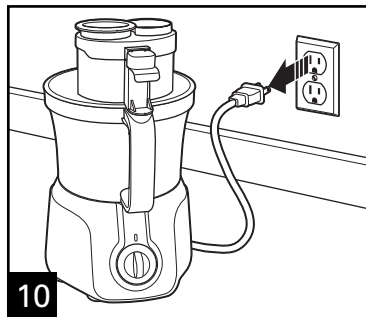


8 Impulsion (P) = Maximale, 3 = Élevée, 2 = Moyenne, 1 = Minimale

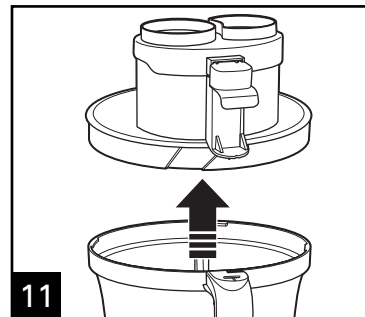
Utilisation de la lame à hacher/mélanger (suite)



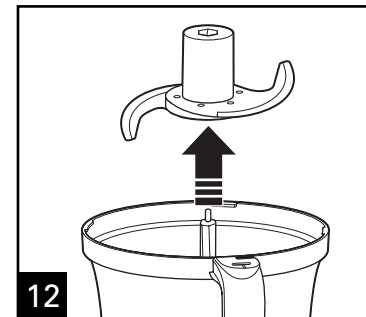
9 Mettre hors tension (OFF) dès la fin de l'utilisation.



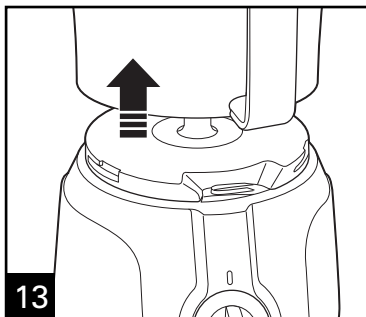
10 **AVERTISSEMENT!** Risque de déchirures : Attendre la fin de la rotation de la lame avant de retirer le couvercle.



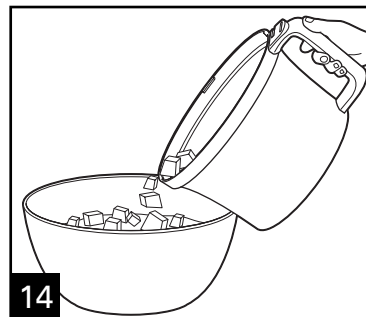
11 Pour éviter tout risque de dommage à l'appareil, toujours retirer le couvercle avant de retirer le récipient.



12 Retirer soigneusement la lame de l'arbre du moteur.



13

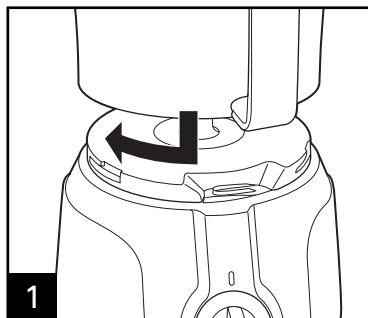


14

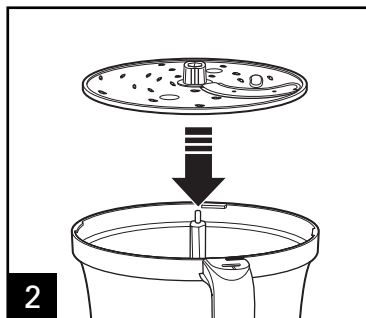
Utilisation du disque à trancher/râper

⚠ AVERTISSEMENT Risque de déchirures. Tenir la lame avec soins; elle est très coupante.

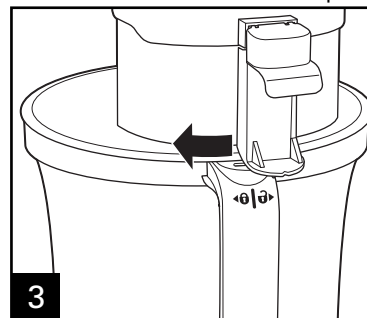
S'assurer que le bouton de commande est en position d'arrêt (O) et que l'appareil est débranché. NOTE : N'utiliser qu'une seule lame ou un seul disque à la fois.



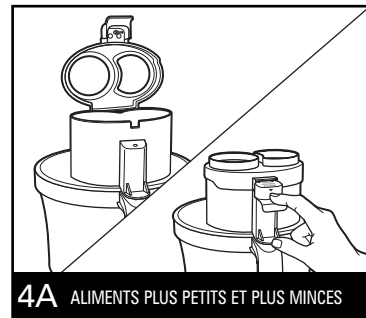
1 Aligner le récipient au socle. Tourner le récipient dans le sens des aiguilles d'une montre pour le verrouiller en place. **NOTE :** L'appareil ne fonctionne que si le récipient est verrouillé.



2 Placer soigneusement le disque sur l'arbre du moteur en plaçant la face désirée vers le HAUT.



3 Tourner le couvercle dans le sens des aiguilles d'une montre pour verrouiller en place. **NOTE :** L'appareil ne fonctionne que si le couvercle est verrouillé.



4A ALIMENTS PLUS PETITS ET PLUS MINCES

Appuyer sur le taquet couvercle pour le verrouiller fermement. **NOTE :** L'appareil ne fonctionne que si le taquet de couvercle est verrouillé.



ALIMENTS PLUS PETITS ET PLUS MINCES

Placer le gros poussoir correctement. Insérer les aliments dans l'orifice du tube de gros poussoir.

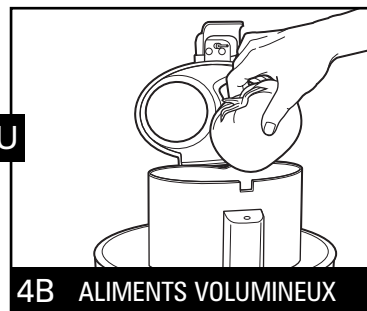
18



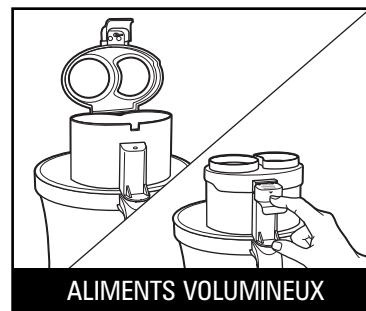
ALIMENTS PLUS PETITS ET PLUS MINCES

Introduire les aliments avec le petit poussoir. Ne jamais introduire d'aliments dans l'entonnoir avec les doigts.

OU



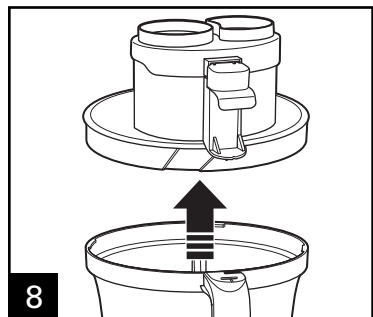
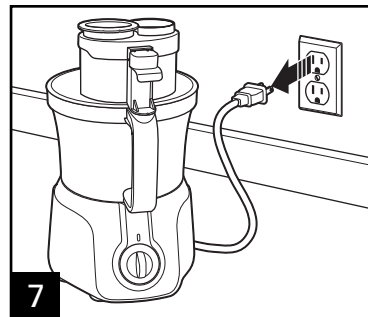
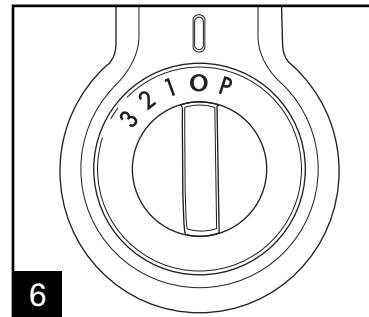
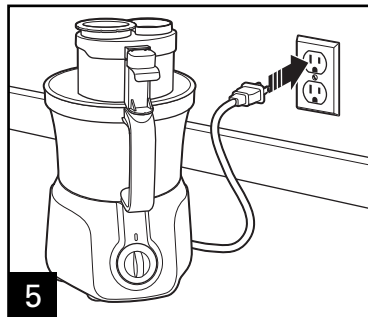
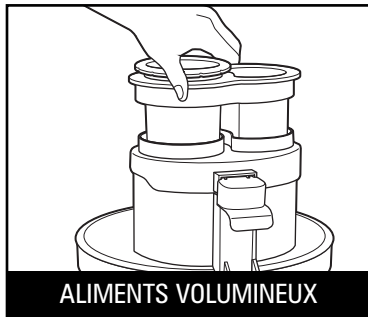
4B ALIMENTS VOLUMINEUX



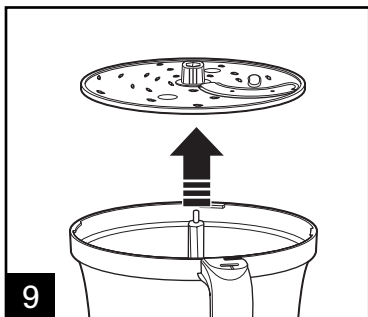
ALIMENTS VOLUMINEUX

Appuyer sur le taquet couvercle pour le verrouiller fermement. **NOTE :** L'appareil ne fonctionne que si le taquet de couvercle est verrouillé.

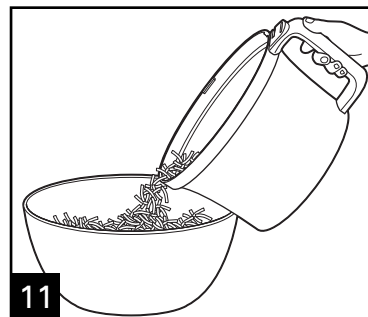
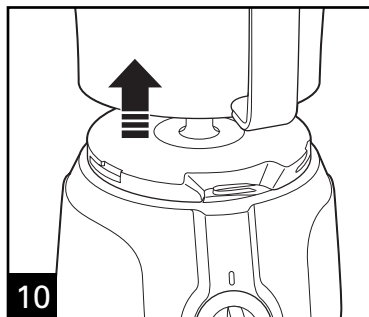
Utilisation du disque à trancher/râper (suite)



8 Pour éviter tout risque de dommage à l'appareil, toujours retirer le couvercle avant de retirer le récipient.



9 Retirer soigneusement le disque de l'arbre du moteur.



10

11

6
Impulsion (P) = Maximale,
3 = Élevée, 2 = Moyenne,
1 = Minimale
Mettre hors tension (OFF) dès la fin de l'utilisation.

7
AVERTISSEMENT! Risque de déchirures : Attendre la fin de la rotation de la lame avant de retirer le couvercle.

Conseils et méthodes

- Pour obtenir une consistance uniforme, commencer par les morceaux d'aliments de même taille. Couper les aliments en morceaux de 2,5 cm (1 po) avant de les transformer avec la lame à hacher/mélanger.
- Ce robot culinaire est idéal pour hacher, mélanger, trancher ou râper la plupart des aliments. Toutefois, pour maintenir une performance optimale, ne pas utiliser le robot culinaire pour exécuter les tâches suivantes : moulin à café ou épices, trancher de la viande congelée ou concasser de la glace.
- Pour hacher les aliments et obtenir des résultats optimaux, utiliser le mode d'impulsion en alternant la marche/arrêt.
- Le temps de fonctionnement dépend de la quantité d'aliments à transformer. La plupart des aliments peuvent être tranchés, hachés ou râpés en quelques secondes. Si l'appareil est utilisé de manière continue pendant 2 minutes, laisser reposer le robot culinaire pendant 4 minutes approximativement avant de continuer.
- Ne pas mettre en purée ou piler des légumes comme les pommes de terre, car leur sur-transformation est rapide et la texture sera collante.
- Pour trancher ou râper du fromage, choisir des fromages fermes comme le cheddar, Monterrey Jack ou le suisse. Pour des résultats optimaux, le fromage doit être bien refroidi avant de le transformer.
- Le disque à trancher/râper réversible possède une face avec une lame pour trancher et une autre avec des dents pour hacher. Le nom gravé sur la lame, face vers le haut, est la fonction correspondante. Placer sur l'arbre du moteur et plaçant la face de coupe désirée vers le haut.
- Pour couper des légumes en julienne, trancher les légumes puis les retirer du récipient et les replacer. Remettre dans l'entonnoir en plaçant les tranches à la verticale. Trancher à nouveau pour obtenir des légumes coupés en julienne fine.

20

Tableaux

Les disques accessoires sont réversibles et identifiés. Cette marque doit se retrouver vers le haut pour obtenir la fonction désirée. Ne pas dépasser le niveau de remplissage maximal (MAX LEVEL) indiqué sur le récipient lors de l'utilisation des disques accessoires.

ACCESSOIRES	ALIMENTS
Lame à hacher/mélanger (hacher, émincer, pétrir, mélanger et mettre en purée)	Légumes, fruits, viandes, noix, pâte à pain, fromages fermes comme le parmesan (froid)
Disque à trancher (face à trancher vers le HAUT)	Légumes, fruits, fromages fermes (froids)
Disque à râper (face à râper vers le HAUT)	Légumes Fromage (froid)

Pour des résultats optimaux, ne pas excéder les quantités suivantes pour hacher, émincer ou mettre en purée à l'aide de la lame à hacher/mélanger.

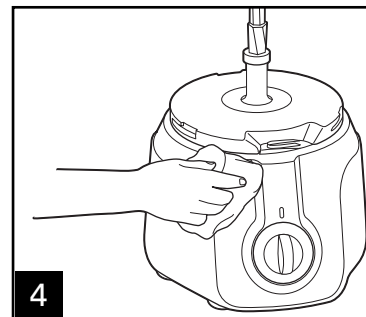
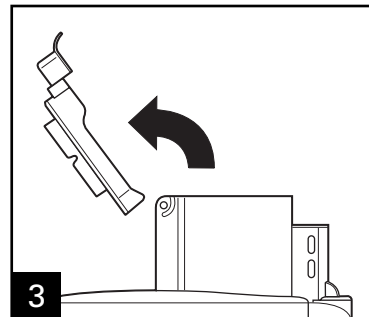
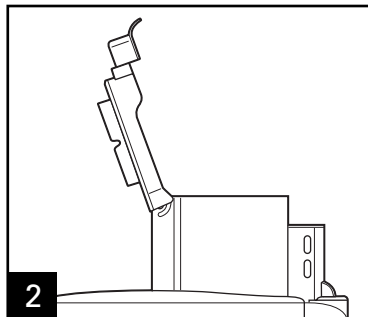
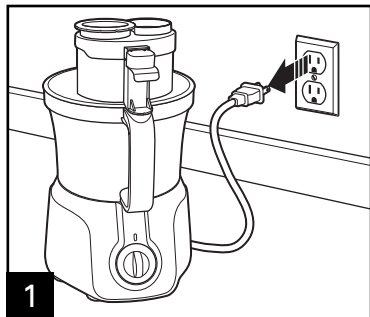
ALIMENT	QUANTITÉ MAXIMALE
Fruits et légumes	750 g à 1 L (3 à 4 tasses) (coupés en cubes de 2,5 cm [1po])
Viandes	900 g (2 lb) (coupés en cubes de 2,5 cm [1 po])
Parmesan ou Romano	425 g (15 oz) (coupés en cubes de 2,5 cm [1 po])
Craquelins	3,5 L (14 tasses) (remplissage du récipient jusqu'au niveau de l'entonnoir)
Noix	1 L (4 tasses)

Nettoyage et entretien

⚠ AVERTISSEMENT

Risque d'électrocution.

Débrancher l'appareil avant le nettoyage. N'immergez pas le cordon, la fiche ou la base dans l'eau.



Essuyer le socle, le bouton de commande et le cordon avec un linge humide ou une éponge. Pour enlever les taches rebelles, utiliser un nettoyant doux et non abrasif.

RANGEMENT : Placer le récipient sur le socle puis installer la lame à hacher/mélanger et le disque à trancher/râper sur l'arbre du moteur. Placer le couvercle sur le récipient. **NE PAS VERROUILLER** pour éviter les dommages au récipient.



Consulter hamiltonbeach.ca pour les recettes délicieuses, les conseils et pour enregistrer votre produit!

Dépannage

PROBLÈME POSSIBLE

PROBABLE CAUSE

Les vitesses et le mode d'impulsion de l'appareil ne fonctionnent pas.

- L'appareil est-il branché? La prise fonctionne-t-elle?
- Est-ce que le récipient, le couvercle ainsi que l'entonnoir sont verrouillés? Voir le chapitre « Utilisation ».

Les aliments ne sont pas hachés, tranchés ou râpés uniformément.

- Une trop grande quantité d'aliments dans l'entonnoir ou une trop forte pression sur les poussoirs peut provoquer une transformation irrégulière lors du tranchage ou du râpage. Voir les tableaux de transformation pour les formats et les quantités recommandées.

L'appareil s'arrête et refuse de fonctionner.

- Est-ce que le récipient, le couvercle ainsi que l'entonnoir sont verrouillés? Ces éléments peuvent avoir été légèrement déplacés pendant la transformation. Voir le chapitre « Utilisation ».
- Est-ce que la prise est fonctionnelle? Vérifier son fonctionnement avec une lampe ou un autre appareil. Le circuit a probablement été surchargé et fait sauté un fusible ou déclenché un disjoncteur.
- Mettre l'appareil hors tension (OFF) et attendre de 3 à 4 minutes puis remettre sous tension (ON). Si aucune de ces solutions ne corrigent le problème, NE PAS tenter de réparer l'appareil. Appelez la ligne sans frais du Service à la clientèle pour obtenir les coordonnées du centre de service autorisé le plus près de chez vous.

L'appareil dégage une odeur de brûlé.

- Un résidu de fabrication peut se trouver sur le moteur et occasionner une légère odeur de brûlé au cours de la première utilisation. Ceci ne se reproduira plus. Si une forte odeur et une fumée se dégagent, débrancher l'appareil et appelez IMMÉDIATEMENT la ligne sans frais du Service à la clientèle.

Le régime du moteur semble faible.

- Est-ce que le format et la quantité de transformation sont respectés? Voir les tableaux de transformation pour obtenir les formats d'aliments recommandés et les vitesses.

Garantie limitée

Cette garantie s'applique aux produits achetés aux USA ou au Canada.

Ce produit est garanti contre tout vice de matériau et de main-d'œuvre pendant une période un (1) an à partir de sa date d'achat original, sauf indication suivante. Pendant cette période, nous réparerons ou remplacerons ce produit à notre choix. LA PRÉSENTE GARANTIE REMPLACE TOUTE AUTRE GARANTIE OU CONDITION, EXPRESSE OU IMPLIQUÉE, ÉCRITE OU ORALE, Y COMPRIS, SANS S'Y LIMITER, TOUTE GARANTIE STATUTAIRE OU CONDITION DE QUALITÉ MARCHANDE OU DE CONVENANCE À UN USAGE PARTICULIER, TOUTE RESPONSABILITÉ EST EXPRESSÉMENT LIMITÉE À UN MONTANT ÉGAL AU PRIX D'ACHAT PAYÉ ET TOUTES RÉCLAMATIONS POUR DOMMAGE SPÉCIAL, INCIDENT ET CONSÉQUENT SONT PAR LA PRÉSENTE EXCLUSES. Il n'y a pas de garantie sur les articles suivants, qui peuvent être fournis avec ce produit, en particulier, sur les pièces en verre, les récipients en verre, les mécanismes de coupe/les tamis, les lames, les joints, les sceaux, les embrayages, les balais de moteur et/ou les agitateurs, etc. Cette garantie ne s'étend qu'à l'acheteur consommateur original et ne couvre aucune panne entraînée par un mauvais usage, un usage abusif, de la négligence, y compris une absence de nettoyer le produit régulièrement conformément aux instructions du fabricant, une utilisation à des fins commerciales, ou tout autre usage ne se conformant pas aux instructions imprimées. Cette garantie vous donne des droits juridiques particuliers, et vous pouvez également posséder d'autres droits juridiques qui varient d'un État à l'autre, ou d'une province à l'autre. Certains États ou provinces ne permettent pas de limites de garanties sur les dommages impliqués ou spéciaux, incidents ou secondaires, si bien que les limites de la présente peuvent ne pas s'appliquer à vous.

Si vous avez une réclamation en vertu de la présente garantie, **NE RENVOYEZ PAS L'APPAREIL AU MAGASIN!** Veuillez appeler notre NUMÉRO DE SERVICE À LA CLIENTÈLE (pour accélérer le service, préparez les numéros de modèle, de série et de type pour vous aider).

NUMÉROS DU SERVICE À LA CLIENTÈLE

Aux USA 1.800.851.8900

Au Canada 1.800.267.2826

Au Mexique 01.800.71.16.100

hamiltonbeach.ca

CONSERVEZ CES NUMÉROS COMME RÉFÉRENCES FUTURES !

SALVAGUARDIAS IMPORTANTES

Cuando use aparatos eléctricos, siempre se deben seguir las precauciones básicas de seguridad incluyendo las siguientes:

1. Lea y guarde todas las instrucciones.
2. Verifique que el voltaje de su instalación corresponda con el del producto.
3. Para protegerse contra riesgos de descarga eléctrica, no sumerja la base, motor, cable o enchufe en agua u otro líquido.
4. Se requiere de una estrecha supervisión cuando el aparato se use cerca de niños.
5. El aparato no debe ser usado por niños.
6. Desconecte el cable de la toma cuando no esté en uso, antes de poner o quitar partes y antes de limpiar.
7. Evite contactar partes móviles.
8. No opere ningún aparato que tenga un cable o enchufe dañado o después de un mal funcionamiento del aparato, o si se cayó o dañó de cualquier manera. Llame a nuestro número de servicio al cliente lada sin costo para información sobre revisión, reparación o ajuste eléctrico o mecánico.
9. El uso de aditamentos no recomendados o vendidos por el fabricante del aparato, puede causar fuego, descarga eléctrica o lesión.
10. No use su procesador de alimentos si alguna pieza está quebrada.
11. No use el aparato en exteriores.
12. No deje que el cable cuelgue del borde de una mesa o cubierta o toque superficies calientes.
13. Mantenga las manos y utensilios lejos de la cuchilla móvil y del disco mientras se procesa alimento para reducir el riesgo de lesiones personales severas y/o daño al procesador de alimentos. Se puede usar un raspador de plástico SOLAMENTE cuando el procesador de alimento no funcione.
14. La cuchilla y el disco están afilados. Manéjelo con cuidado. Almacene lejos del alcance de los niños.
15. Para reducir el riesgo de lesiones, nunca coloque la cuchilla cortante o disco en la base sin primero poner el tazón adecuadamente en su lugar.
16. Asegúrese de que la tapa esté abrochada de manera segura en su lugar antes de usar el aparato.
17. Nunca meta el alimento en el ducto con la mano. Siempre use los empujadores de alimento.
18. No intente eliminar el mecanismo de entrebloqueo de la tapa.
19. Asegúrese que la cuchilla o disco se hayan detenido completamente antes de remover la tapa.
20. Para reducir el riesgo de una lesión, asegúrese de insertar o remover la cuchilla y disco usando los concentradores provisto para tal propósito. Tenga cuidado cuando remueva la cuchilla y disco del tazón, cuando vacíe el tazón y cuando limpie.
21. Asegúrese de poner el interruptor en posición de APAGADO (O) después de cada uso. Siempre use los empujadores para vaciar el ducto de alimentos. Cuando este método no sea posible, apague el motor y desensamble la unidad para remover el resto del alimento.
22. El aparato no fue hecho para uso comercial, profesional o industrial. Fue diseñado y construido exclusivamente para uso casero solamente.
23. Nunca use el aparato por un periodo más largo o con una cantidad mayor de ingredientes de los recomendados por el fabricante del aparato.
24. La clasificación máxima de esta unidad está basada en el uso de la Cuchilla Picadora/Mezcladora. Usando el Disco para Rebanar/Rallar puede requerir menos energía.
25. No coloque sobre o cerca de un quemador de gas o eléctrico caliente o en un horno caliente.
26. No use el aparato para otro uso más que para el que fue hecho.

¡GUARDE ESTAS INSTRUCCIONES!

MÁS INFORMACIÓN DE SEGURIDAD PARA EL CONSUMIDOR

Este producto fue hecho para uso en el hogar solamente.

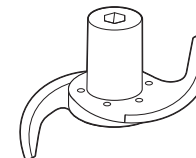
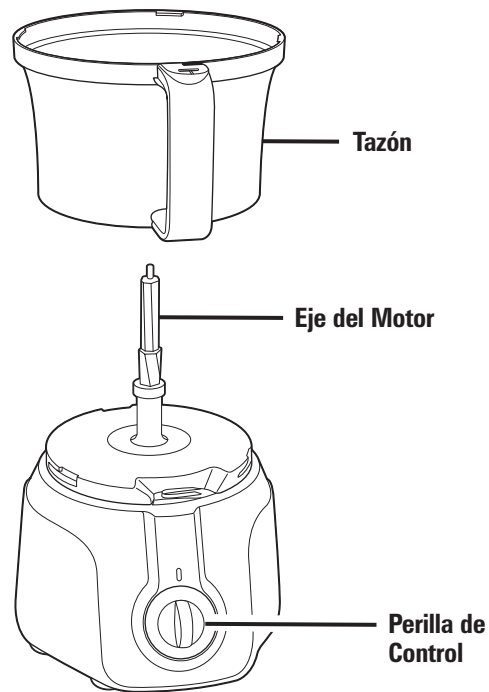
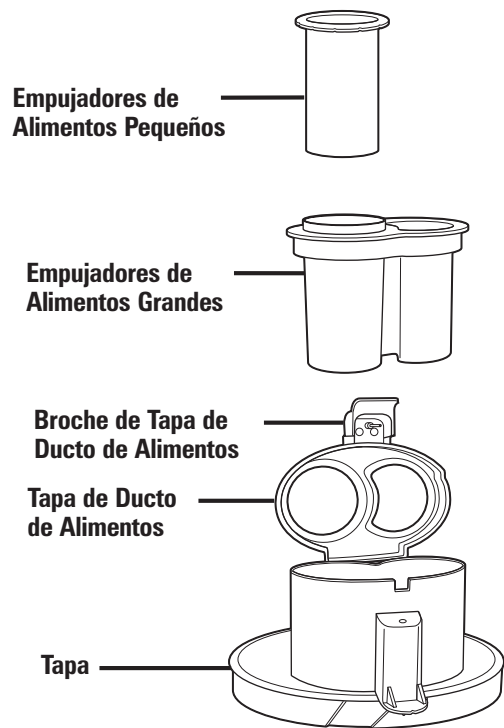
¡ADVERTENCIA! Peligro de Descarga: Este aparato tiene un enchufe polarizado (una clavija ancha) que reduce el riesgo de descarga eléctrica. El enchufe se ajusta sólo de un manera en una toma polarizada. No elimine el propósito de seguridad del enchufe modificando el enchufe de ninguna manera o usando un adaptador. Si el enchufe no entra, invierta el enchufe. Si aún no entra, haga que un eléctrico reemplace la toma.

Para evitar una sobrecarga del circuito eléctrico, no use otro aparato de alto voltaje en el mismo circuito junto con su procesador de alimentos.

La longitud del cable usado para este aparato fue seleccionado para reducir los riesgos de enredarse o tropezarse con un cable más largo. Si se necesita un cable más largo se puede usar una extensión aprobada. La clasificación eléctrica de la cable extensión debe ser igual o mayor que la clasificación del aparato. Se debe de tener cuidado de acomodar el cable extensión no cubra una cubierta o mesa y que pueda ser jalado por un niño o pueda provocar un tropiezo accidental.

Partes y Características

Antes de usar por primera vez: Desempaque el procesador. Maneje la Cuchilla y el(los) Disco(s) cuidadosamente; están muy afilados. Lave todas las partes excepto la base en agua caliente y jabonosa. Enjuague y luego seque.



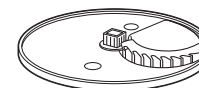
Cuchilla Picadora/Mezcladora

Use para cortar, picar, amasar, mezclar o hacer puré el alimento.



Disco para Rebanar/Rallador Reversible

Úselo para rallar queso o rebanar o rallar una variedad de alimentos (como papas, peperoni, zanahorias, apio, etc.).



Cuchilla para Papas a la Francesa (en modelos seleccionados o accesorio opcional)

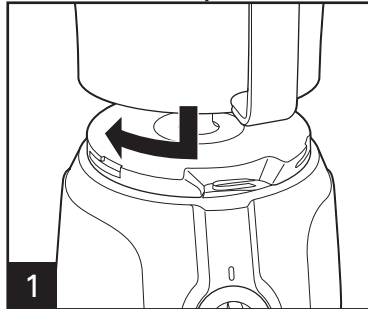
Para ordenar:

1.800.851.8900 (EE.UU.)
01 800 71 16 100 (México)

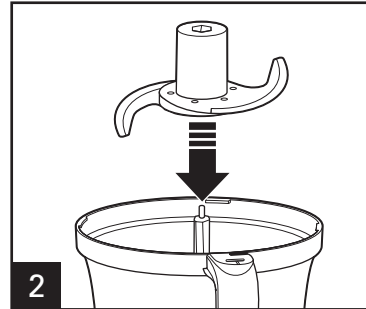
Cómo Usar la Cuchilla Picadora/Mezcladora

⚠ ADVERTENCIA Peligro de Laceración. Maneje la cuchilla cuidadosamente; está muy afilada.

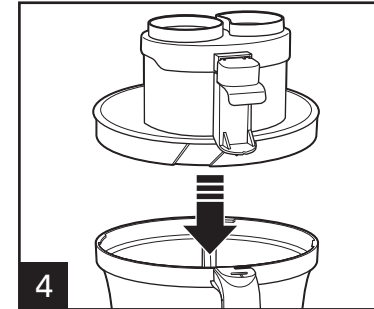
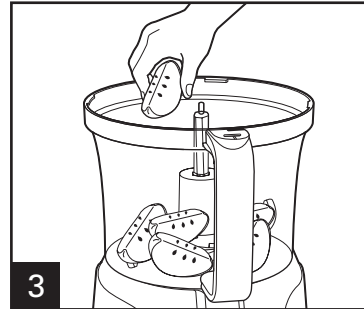
Asegúrese que la perilla de control esté en APAGADO (O) y la unidad esté desconectada. **NOTA:** Use sólo con una cuchilla o disco a la vez.



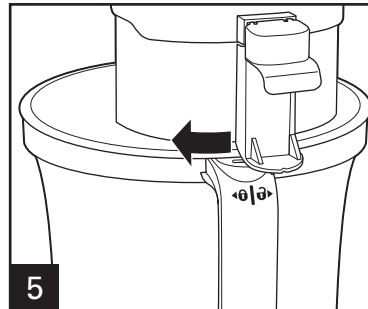
1 Alinee el tazón y la base. Gire el tazón en el sentido de las agujas del reloj para ajustarlo en su lugar. **NOTA:** La unidad no funcionará a menos que el tazón esté ajustado.



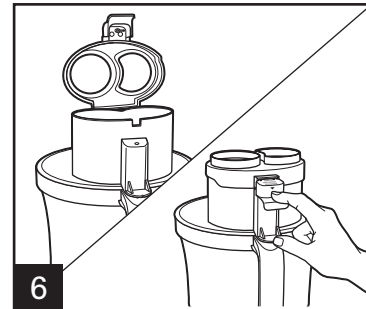
2 Coloque cuidadosamente la cuchilla en el eje del motor.



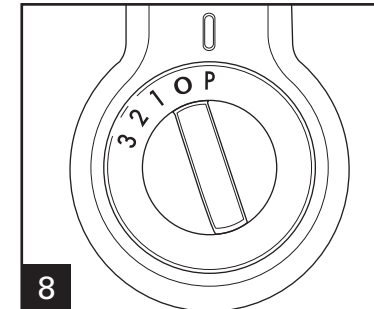
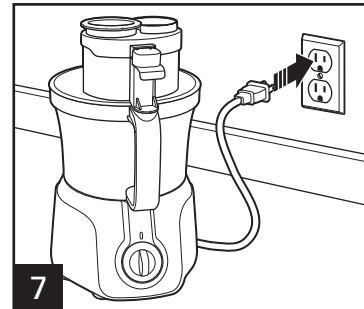
4 Alinee la tapa y el tazón.



5 Gire la tapa en el sentido de las agujas del reloj para ajustarla en su lugar. **NOTA:** La unidad no funcionará a menos que la tapa esté ajustada.

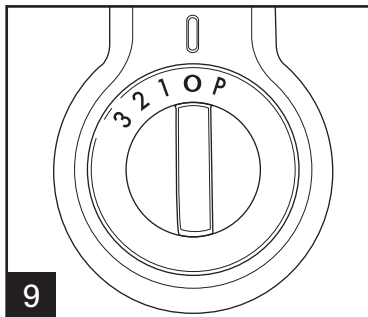


6 Empuje el broche de la tapa para ajustar firmemente. **NOTA:** La unidad no funcionará a menos que el broche esté ajustado.

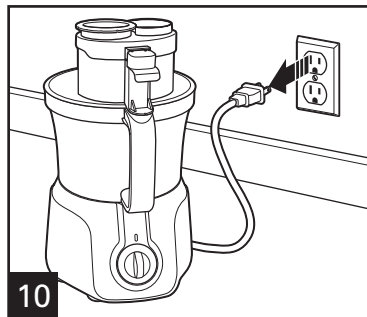


8 Pulse=Más Alto, 3=Alto, 2=Medio, 1=Bajo

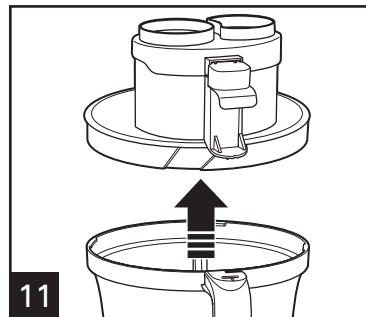
Cómo Usar la Cuchilla Picadora/Mezcladora (cont.)



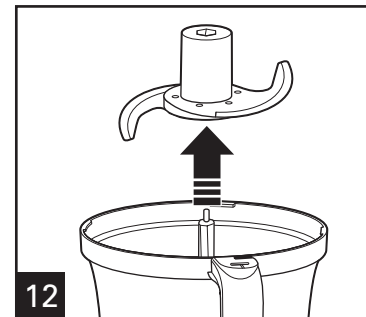
9 Cuando acabe, APÁGUELO.



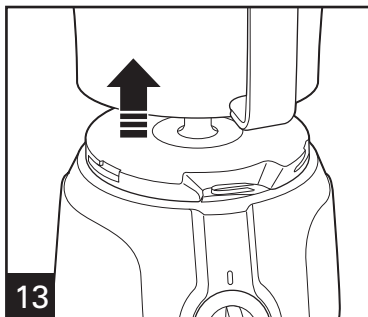
10 **¡ADVERTENCIA!** Peligro de Laceración: Siempre espere hasta que la cuchilla se detenga antes de remover la tapa.



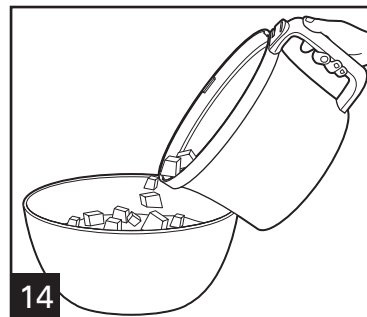
11 Siempre remueva la tapa antes de remover el tazón para evitar posibles daños al aparato.



12 Remueva cuidadosamente la cuchilla del eje del motor.



13

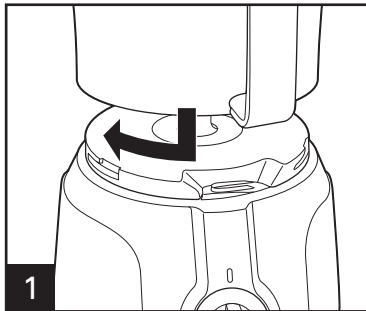


14

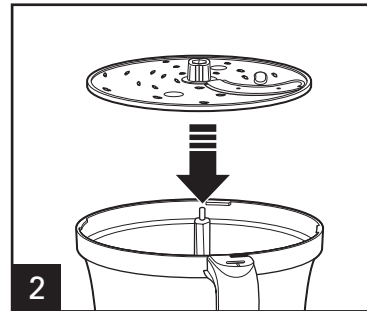
Cómo Usar el Disco para Rebanar/Rallar

⚠ ADVERTENCIA Peligro de Laceración. Maneje la cuchilla cuidadosamente; está muy afilada.

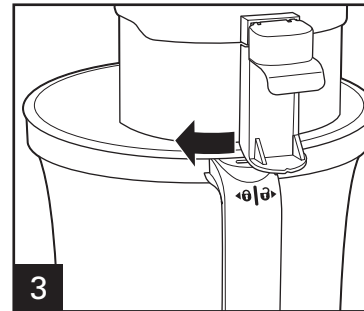
Asegúrese que la perilla de control esté en APAGADO (O) y la unidad esté desconectada. **NOTA:** Use sólo con una cuchilla o disco a la vez.



1 Alinee el tazón y la base. Gire el tazón en el sentido de las agujas del reloj para ajustar en su lugar. **NOTA:** La unidad no funcionará a menos que el tazón esté ajustado.



2 Coloque cuidadosamente el disco en el eje del motor con el lado deseado viendo hacia ARRIBA.



3 Gire la tapa en el sentido de las agujas del reloj para ajustar en su lugar. **NOTA:** La unidad no funcionará a menos que la tapa esté ajustada.



4A ALIMENTOS MÁS PEQUEÑOS Y DELGADOS
Empuje el broche de la tapa para ajustar firmemente. **NOTA:** La unidad no funcionará a menos que el broche esté ajustado.



ALIMENTOS MÁS PEQUEÑOS Y DELGADOS
Ponga el empujador para alimento grande en su lugar. Coloque el alimento en el tubo abierto del empujador de alimento grande.



ALIMENTOS MÁS PEQUEÑOS Y DELGADOS
Empuje el alimento con los empujadores de alimentos pequeños. Nunca empuje el alimento por el ducto usando los dedos.



4B ALIMENTOS MÁS GRANDES

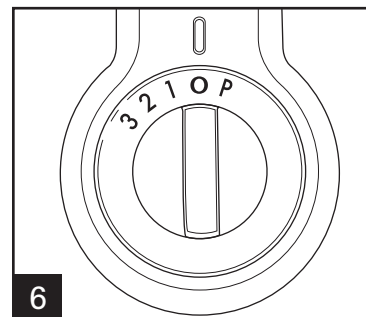
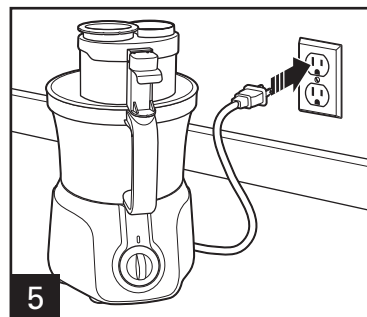


ALIMENTOS MÁS GRANDES
Empuje el broche de la tapa para ajustar firmemente. **NOTA:** La unidad no funcionará a menos que el broche esté ajustado.

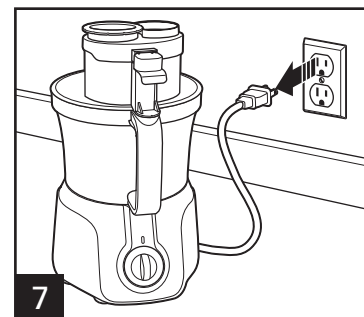
Cómo Usar el Disco para Rebanar/Rallar (cont.)



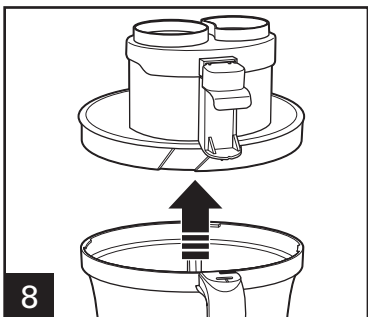
Empuje alimentos grandes utilizan ambos empujadores de alimentos: empujadores grandes y pequeños. Nunca empuje el alimento por el ducto usando los dedos.



Pulse=Más Alto, 3=Alto, 2=Medio, 1=Bajo
Cuando acabe, APÁGUELO.

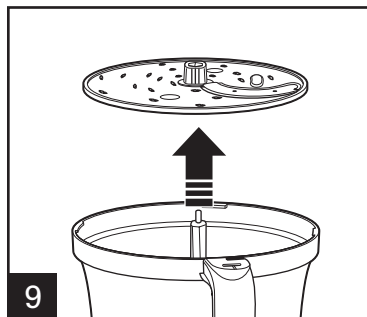


¡ADVERTENCIA! Peligro de Laceración:
Siempre espere hasta que la cuchilla se detenga antes de remover la tapa.

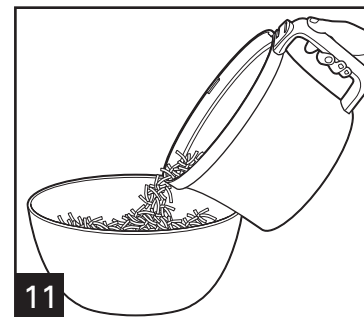
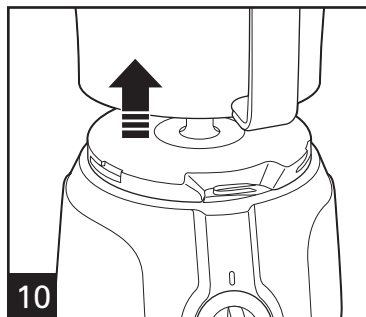


Siempre remueva la tapa antes de remover el tazón para evitar posibles daños al aparato.

30



Remueva cuidadosamente el disco del eje del motor.



Consejos y Técnicas

- Para una consistencia más uniforme, comience con pedazos de alimento que sean similares en tamaño. Corte el alimento en pedazos de 1 pulgada (2.5 cm) antes de procesarlos con la cuchilla Picadora/Mezcladora.
- Este procesador de alimentos es excelente para cortar, mezclar, rebanar o rallar la mayoría de los alimentos. Sin embargo, para mantener un desempeño al máximo, no use su procesador de alimento para lo siguiente: moler granos, granos de café o especias; rebanar carne congelada o romper hielo.
- Cuando corte alimentos, empujando poco a poco producirá mejores resultados.
- El tiempo de funcionamiento dependerá de la cantidad de alimento a ser procesada. La mayoría de los alimentos pueden ser rebanados, cortados o rallados en segundos. Si la unidad es usada por 2 minutos continuamente, deje que el procesador descanse por unos 4 minutos antes de continuar.
- No haga puré o masa vegetales almidonados como papas ya que pueden ser fácilmente sobre-procesadas y se volverán gomosas.
- Para rebanar o rallar queso, seleccione quesos firmes como Cheddar, Monterey Jack o Suizo. Para mejores resultados, procese el queso que esté bien refrigerado.
- El Disco para Rebanar/Rallar Reversible tiene una cuchilla rebanadora en un lado y dientes para deshebrar en el otr. El nombre grabado en la cuchilla, viendo hacia arriba, es la función seleccionada. Colóquelo en el eje del motor con el borde de corte deseado viendo hacia arriba.
- Para hacer vegetales juliana, rebane luego remueva del tazón y vuelva a acomodar los vegetales. Empaque en ducto de alimento con las rebanadas en vertical. Rebane de nuevo para hacer vegetales de corte fino.

Tablas de Procesamiento

Los aditamentos de disco son reversibles y marcados. Esta marca debe ver hacia arriba para la función deseada. Cuando use aditamentos de disco, no procese más allá del NIVEL MÁX. en el Tazón.

ACCESORIO	ALIMENTOS
Cuchilla Picadora/Mezcladora (corte, pique, amase, mezcle, haga puré)	Vegetales, Fruta, Carne, Nueces, Pan, Quesos Duros tales como Parmesano (refrigerado)
Disco Rebanador (lado de rebanado viendo hacia ARRIBA)	Vegetales, Fruta, Quesos Firme (refrigerado)
Disco Rallador (lado de rallar viendo hacia ARRIBA)	Vegetales, Queso (refrigerado)

Para mejores resultados no exceda las cantidades siguientes cuando corte, pique, o haga puré con la Cuchilla Cortadora/Mezcladora.

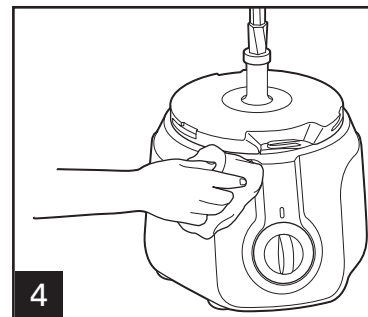
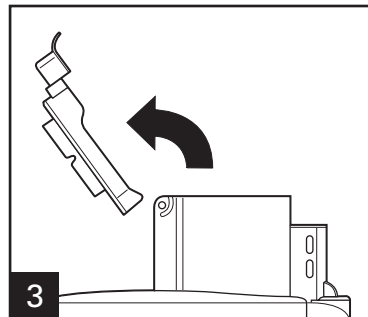
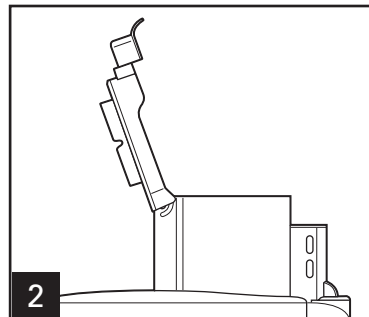
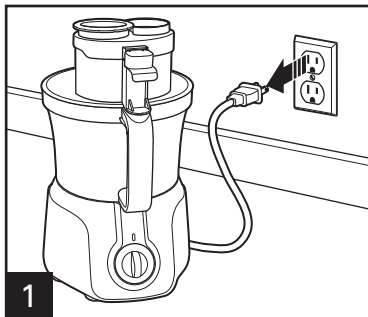
ALIMENTO	CANTIDADES MÁXIMAS
Frutas y Vegetales	3 a 4 tazas (750g a 1 L) (corte en cubos de 1" [2.5 cm])
Carnes	2 libras (900g) (corte en cubos de 1" [2.5 cm])
Parmesano o Romano	15 onzas (425g) (corte en cubos de 1" [2.5 cm])
Galletas	14 tazas (3.5 L)(puede llenar el tazón y tapa hasta el ducto)
Nueces	4 tazas (1 L)

Limpieza y Cuidado

⚠ ADVERTENCIA

Peligro de Descarga Eléctrica.

Desconecte la electricidad antes de limpiar. No sumerja el cable, enchufe o base en ningún líquido.



Limpie la base, perilla de control, y cable con un trapo o esponja húmeda. Para remover las manchas tercas, use un limpiador leve no abrasivo.

PARA ALMACENAR: Coloque el tazón en la base y luego coloque la Cuchilla Picadora/Mezcladora y el Disco para Rebanar/Rallar en el eje del motor. Coloque la tapa en el tazón. Para prevenir daños al tazón **NO AJUSTE**.



¡Visite hamiltonbeach.com.mx para recetas deliciosas, consejos y para registrar su producto en línea!

Resolviendo Problemas

PROBLEMA POTENCIAL

PROBABLE CAUSE

La unidad no funciona a ninguna velocidad o Pulso.

- ¿Está conectada la unidad? ¿Funciona la toma?
- ¿Está el tazón, tapa del tazón y tapa de ducto de alimentos colocados en su lugar? Vea las secciones de Cómo Usar.

El alimento no se corta, rebana o deshebra uniformemente.

- Meter mucho alimento por el ducto de alimentos, o empujar demasiado duro con los empujadores de alimento puede causar que el alimento procesado será rebanado o deshebrado irregularmente. Consulte las tablas de procesamiento de alimento por tamaños y cantidades recomendadas.

La unidad se detiene y no se vuelve a encender.

- ¿Está el tazón, tapa del tazón y tapa de ducto de alimentos colocados en su lugar? Se pueden haber movido un poco durante el procesamiento. Vea la sección de Cómo Usar.
- ¿Está aún funcionando la toma? Revísela conectando una lámpara u otro aparato que funcione. Puede que haya sobrecargado el circuito y volado un fusible o botado el interruptor de circuito.
- APAGUE la unidad, déjela descansar por 3 a 4 minutos, luego ENCIENDA. Si ninguna de estas sugerencias corrigen el problema, NO intente reparar la unidad. Llame al número de Servicio al Cliente para obtener el nombre de su Centro de Servicio Autorizado más cercano.

La unidad huele a quemado.

- Puede haber un residuo del proceso de fabricación aún en el motor, causando un ligero olor durante el uso inicial. Esto desaparecerá. Si aparece un fuerte olor o un humo visible, desconecte la unidad INMEDIATAMENTE y llame al número de Servicio al Cliente.

El motor parece débil.

- ¿Está usando el tamaño y cantidad de alimento recomendado a ser procesado? Consulte las Tablas de Procesamiento de Alimento para tamaños de alimento y velocidades recomendados.

Hamilton Beach®

Grupo HB PS, S.A. de C.V.
 Monte Elbruz No. 124 Int. 601
 Col. Palmitas Polanco
 México, D.F. C.P. 11560
 01-800-71-16-100

PÓLIZA DE GARANTÍA

PRODUCTO:	MARCA:	MODELO:
<p>Grupo HB PS, S.A. de C.V. cuenta con una Red de Centros de Servicio Autorizada, por favor consulte en la lista anexa el nombre y dirección de los establecimientos en la República Mexicana en donde usted podrá hacer efectiva la garantía, obtener partes, componentes, consumibles y accesorios; así como también obtener servicio para productos fuera de garantía. Para mayor información llame sin costo: Centro de Atención al consumidor: 01 800 71 16 100</p>		
<p>Grupo HB PS, S.A. de C.V. le otorga a partir de la fecha de compra: GARANTÍA DE 1 AÑO.</p>		
COBERTURA		
<ul style="list-style-type: none"> • Esta garantía ampara, todas las piezas y componentes del producto que resulten con defecto de fabricación incluyendo la mano de obra. • Grupo HB PS, S.A. de C.V. se obliga a reemplazar, reparar o reponer, cualquier pieza o componente defectuoso; proporcionar la mano de obra necesaria para su diagnóstico y reparación, todo lo anterior sin costo adicional para el consumidor. • Esta garantía incluye los gastos de transportación del producto que deriven de su cumplimiento dentro de su red de servicio. 		
LIMITACIONES		
<ul style="list-style-type: none"> • Esta garantía no ampara el reemplazo de piezas deterioradas por uso o por desgaste normal, como son: cuchillas, vasos, jarras, filtros, etc. • Grupo HB PS, S.A. de C.V. no se hace responsable por los accidentes producidos a consecuencia de una instalación eléctrica defectuosa, ausencia de toma de tierra, clavija de enchufe en mal estado, etc. 		
EXCEPCIONES		
<p>Esta garantía no será efectiva en los siguientes casos:</p> <ol style="list-style-type: none"> a) Cuando el producto se hubiese utilizado en condiciones distintas a las normales. (Uso industrial, semi-industrial o comercial.) b) Cuando el producto no hubiese sido operado de acuerdo con el instructivo de uso. c) Cuando el producto hubiese sido alterado o reparado por personas no autorizadas por Grupo HB PS, S.A. de C.V. el fabricante nacional, importador o comercializador responsable respectivo. <p>El consumidor puede solicitar que se haga efectiva la garantía ante la propia casa comercial donde adquirió su producto, siempre y cuando Grupo HB PS, S.A. de C.V. no cuente con talleres de servicio.</p>		

PROCEDIMIENTO PARA HACER EFECTIVA LA GARANTÍA

- Para hacer efectiva la garantía no deben exigirse mayores requisitos que la presentación del producto y la póliza correspondiente, debidamente sellada por el establecimiento que lo vendió.
- Para hacer efectiva la garantía, lleve su aparato al Centro de Servicio Autorizado más cercano a su domicilio (consulte la lista anexa).
- Si no existe Centro de Servicio Autorizado en su localidad llame a nuestro Centro de Atención al Consumidor para recibir instrucciones de como hacer efectiva su garantía.
- El tiempo de reparación, en ningún caso será mayor de 30 días naturales contados a partir de la fecha de recepción del producto en nuestros Centros de Servicio Autorizados.
- En caso de que el producto haya sido reparado o sometido a mantenimiento y el mismo presente deficiencias imputables al autor de la reparación o del mantenimiento dentro de los treinta días naturales posteriores a la entrega del producto al consumidor, éste tendrá derecho a que sea reparado o mantenido de nuevo sin costo alguno. Si el plazo de la garantía es superior a los treinta días naturales, se estará a dicho plazo.
- El tiempo que duren las reparaciones efectuadas al amparo de la garantía no es computable dentro del plazo de la misma. Cuando el bien haya sido reparado se iniciará la garantía respecto de las piezas repuestas y continuará con relación al resto. En el caso de reposición del bien deberá renovarse el plazo de la garantía.

DÍA__ MES__ AÑO__

Si desea hacer comentarios o sugerencias con respecto a nuestro servicio o tiene alguna queja derivada de la atención recibida en alguno de nuestros Centros de Servicio Autorizados, por favor dirigirse a:

GERENCIA INTERNACIONAL DE SERVICIO

01 800 71 16 100 • Email: mexico.service@hamiltonbeach.com.mx

RED DE CENTROS DE SERVICIO AUTORIZADA GRUPO HB PS, S.A. DE C.V.**Distrito Federal**

ELECTRODOMÉSTICOS
Av. Plutarco Elias Cailles No. 1499
Zacahuitzco MEXICO 09490 D.F.
Tel: 01 55 5235 2323 • Fax: 01 55 5243 1397

CASA GARCIA
Av. Patriotismo No. 875-B
Mixcoac MEXICO 03910 D.F.
Tel: 01 55 5563 8723 • Fax: 01 55 5615 1856

Nuevo Leon

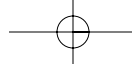
FERNANDO SEPULVEDA REFACCIONES
Ruperto Martínez No. 238 Ote.
Centro MONTERREY, 64000 N.L.
Tel: 01 81 8343 6700 • Fax: 01 81 8344 0486

Jalisco

SERVICIOS DE MANTENIMIENTO CASTILLO
Garibaldi No. 1450
Ladrón de Guevara
GUADALAJARA 44660 Jal.
Tel: 01 33 3825 3480 • Fax: 01 33 3826 1914

Chihuahua

DISTRIBUIDORA TURMIX
Av. Paseo Triunfo de la Rep. No. 5289 Local 2 A.
Int. Hipermart
Alamos de San Lorenzo
CD. JUAREZ 32340 Chih.
Tel: 01 656 617 8030 • Fax: 01 656 617 8030



Modelos:
70570H, 70573H, 70575H, 70570C

Tipo:
FP17

Características Eléctricas:
120V~ 60Hz 500W

Los números de modelo también pueden estar seguidos del sufijo "MX".

