

**READ BEFORE USE**  
**LIRE AVANT D'UTILISER**  
**LEA ANTES DE USAR**

Visit [hamiltonbeach.com](http://hamiltonbeach.com) for delicious recipes, tips, and to register your product online!



Consulter [hamiltonbeach.ca](http://hamiltonbeach.ca) pour les recettes délicieuses, conseils pratiques, et pour enregistrer votre produit!

¡Visite [hamiltonbeach.com.mx](http://hamiltonbeach.com.mx) para recetas deliciosas, consejos, y para registrar su producto en línea!

**Questions?**

Please call us – our friendly associates are ready to help.  
USA: 1.800.851.8900

**Questions?**

N'hésitez pas à nous appeler – nos associés s'empresseront de vous aider.  
CAN: 1.800.267.2826

**¿Preguntas?**

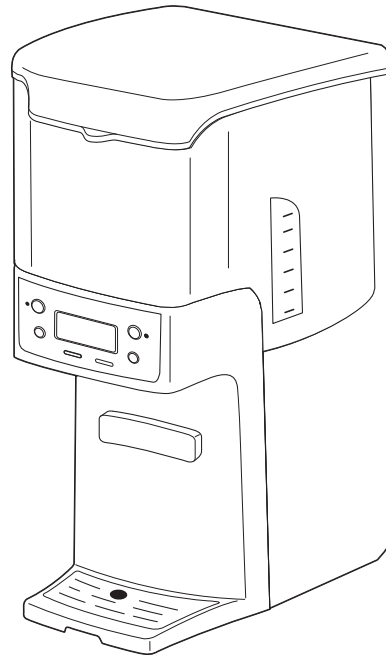
Por favor llámenos – nuestros amables representantes están listos para ayudar.

MEX: 01 800 71 16 100

*Le invitamos a leer cuidadosamente este instructivo antes de usar su aparato.*

**Hamilton  
Beach®**

*BrewStation®*



English .....	2
Français .....	12
Español .....	23

## IMPORTANT SAFEGUARDS

When using electrical appliances, basic safety precautions should always be followed to reduce the risk of fire, electric shock, and/or injury to persons, including the following:

1. Read all instructions.
2. Do not touch hot surfaces. Use handles or knobs. Care must be taken, as burns can occur from touching hot parts or from spilled, hot liquid.
3. To protect against electric shock, do not place cord, plug, or BrewStation® in water or other liquid.
4. Close supervision is necessary when any appliance is used by or near children.
5. Unplug from outlet when either the BrewStation® or clock is not in use and before cleaning. Allow to cool before putting on or taking off parts and before cleaning the appliance.
6. Scalding may occur if the lid is lifted during the brewing cycle. Do not open lid until coffeemaker has cooled completely.
7. BrewStation® must be operated on a flat surface away from the edge of counter to prevent accidental tipping.
8. Do not operate any appliance with a damaged cord or plug, or after the appliance malfunctions or is dropped or damaged in any manner. Call our toll-free customer service number for information on examination, repair, or adjustment.
9. The use of accessory attachments not recommended by the appliance manufacturer may cause injuries.
10. Do not use outdoors.
11. Do not let cord hang over edge of table or counter or touch hot surfaces, including stove.
12. The coffee tank is designed for use with this BrewStation®. It must never be used on a range top or in a microwave oven.
13. Do not place BrewStation® on or near a hot gas or electric burner or in a heated oven.
14. To disconnect BrewStation®, turn controls to OFF, then remove plug from wall outlet.
15. **WARNING!** To reduce the risk of fire or electric shock, do not remove the bottom cover. No user-serviceable parts are inside. Repair should be done by authorized service personnel only.
16. Do not use appliance for other than intended use.

## SAVE THESE INSTRUCTIONS!

## IMPORTANT

Never use coffee tank to pour hot coffee or carry hot coffee.  
Handle coffee tank when it holds only cold water.



### Additional Information

- If overflow occurs: Let unit, coffee, and grounds cool completely before attempting any cleanup.
- Use only brand-name, high-quality filters.
- Use only 1 tablespoon of ground coffee for each cup of water.
- Use coffeemaker cleaner to prevent hard water deposits that affect coffeemaker performance. Clean monthly.
- Do not clean coffee tank in dishwasher.
- Read instructions before using.

## OTHER CONSUMER SAFETY INFORMATION

**This appliance is intended for household use only.**

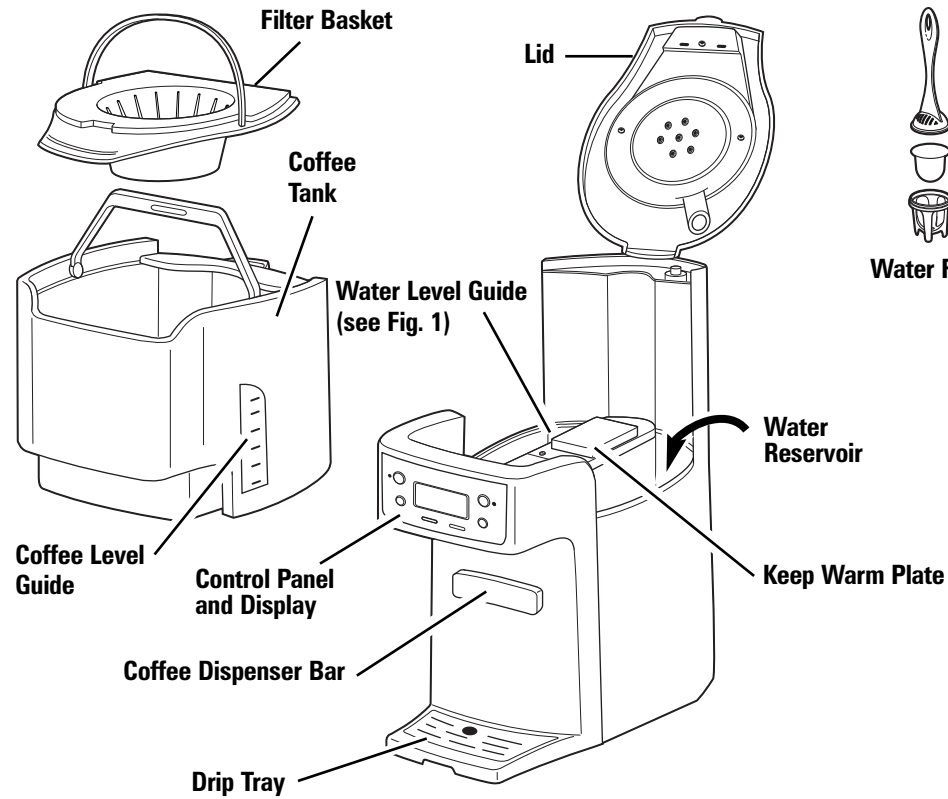
**WARNING!** Shock Hazard: This appliance has a polarized plug (one wide blade) that reduces the risk of electric shock. The plug fits only one way into a polarized outlet. Do not defeat the safety purpose of the plug by modifying the plug in any way or using an adapter. If the plug does not fit, reverse the plug. If it still does not fit, have an electrician replace the outlet.

The length of the cord used on this appliance was selected to reduce the hazards of becoming tangled in, or tripping over a longer cord. If a longer cord is necessary, an approved extension

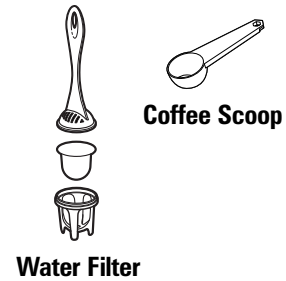
cord may be used. The electrical rating of the extension cord must be equal to or greater than the rating of the BrewStation®. Care must be taken to arrange the extension cord so that it will not drape over the countertop or tabletop where it can be pulled on by children or accidentally tripped over.

To avoid an electrical circuit overload, do not use another high-wattage appliance on the same circuit with your BrewStation®.

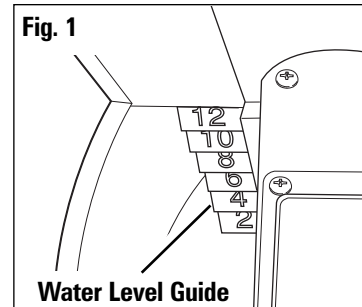
## Parts and Features



## Optional Accessories



To Order Call:  
1.800.851.8900 (U.S.)  
1.800.267.2826 (Canada)  
01.800.71.16.100 (Mexico)  
or visit [hamiltonbeach.com](http://hamiltonbeach.com)



# How To Make Coffee

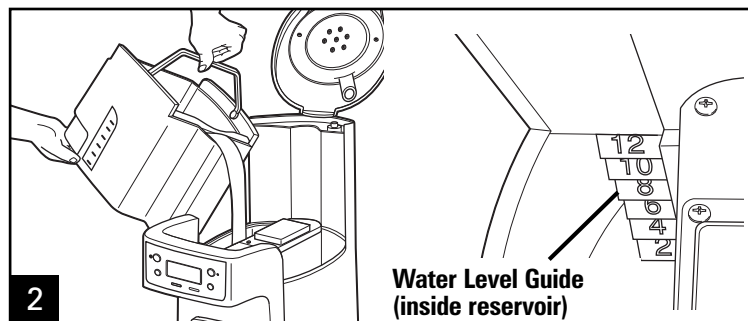
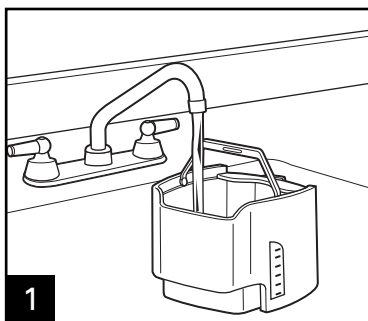
**Before first use:** Wash coffee tank, filter basket, and drip tray in hot, soapy water. NEVER put the water reservoir in dishwasher.

BrewStation® can be programmed to automatically shut off in 0 (for Iced Coffee), 1, 2, 3, or 4 hours as desired. Default is 4 hours for automatic shutoff.

**⚠ WARNING Burn Hazard.**

- Never use coffee tank to pour or carry hot coffee.
- Handle coffee tank only when holding cold water for filling water reservoir and to clean tank after BrewStation® has been shut off and the coffee is cool.
- If BrewStation® overflows, unplug unit. Allow unit, coffee, and grounds to cool before cleaning unit, coffee, or grounds.

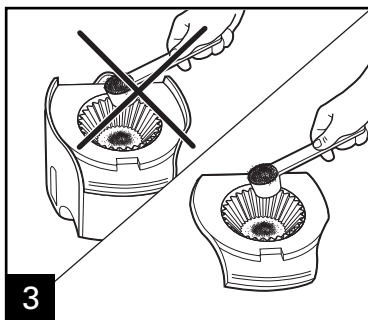
*\*Coffee scoop is optional feature on select models.*



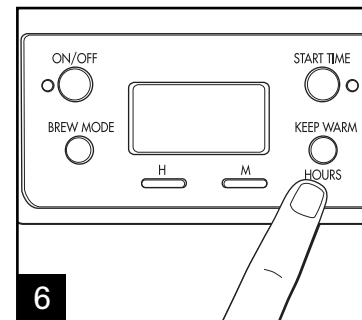
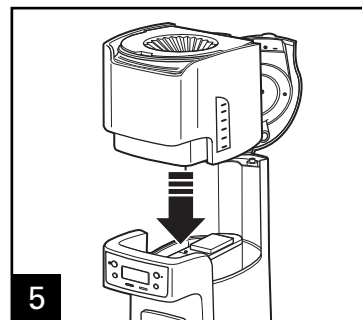
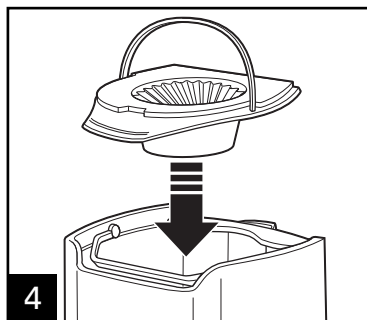
**Normal Amount of Coffee Per Cup**  
1 scoop\* or 1 level tablespoon per cup

**Maximum Amount of Automatic Drip Coffee to Use in BrewStation®**

Coffee	Scoop	Tablespoons
Regular	13	13
Decaf	12	12



Avoid getting coffee grounds in any other areas of the BrewStation®.

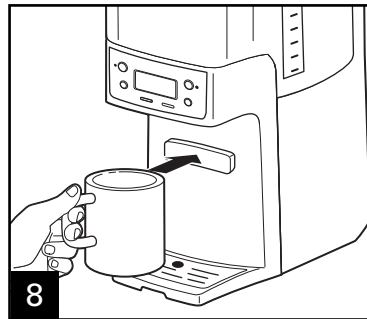
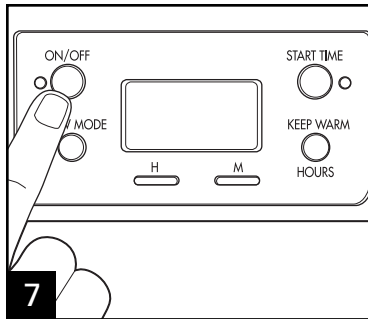


Set **KEEP WARM HOURS** to 1, 2, 3, or 4. The 0 setting is for iced coffee. 5

# How To Make Coffee (cont.)

**⚠ WARNING Burn Hazard.**

- Never use coffee tank to pour or carry hot coffee.
- Handle coffee tank only when holding cold water for filling water reservoir and to clean tank after BrewStation® has been shut off and the coffee is cool.
- If BrewStation® overflows, unplug unit. Allow unit, coffee, and grounds to cool before cleaning unit, coffee, or grounds.



Coffeemaker will beep when brewing is complete.

### Brew Options

<p><b>BOLD</b> Enhanced full/strong-flavored coffee</p>	<p>Press Brew Mode button until <b>BOLD</b> is displayed</p>
<p><b>1-4 CUPS</b> When brewing 1–4 cups of coffee</p>	<p>Press Brew Mode button until <b>1–4 CUPS</b> is displayed</p>

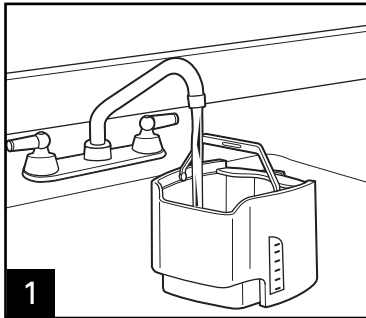
**NOTE:** **BOLD** and **1–4 CUPS** modes will require additional time to complete a brewing cycle. A Brew Option must be selected prior to pressing the ON button. The setting cannot be changed during/in brew mode. If a Brew Option is not selected, the coffeemaker will automatically brew on the regular/default setting.

# To Make Iced Coffee

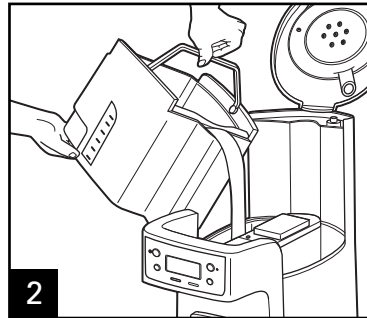
*\*Coffee scoop is optional feature on select models.*

## ⚠ WARNING Burn Hazard.

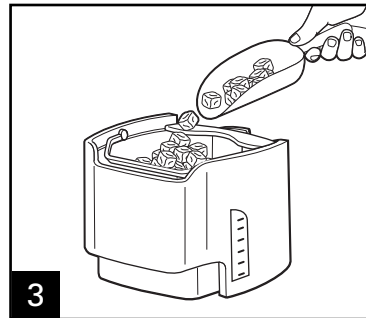
- Never use coffee tank to pour or carry hot coffee.
- Handle coffee tank only when holding cold water for filling water reservoir and to clean tank after BrewStation® has been shut off and the coffee is cool.
- If BrewStation® overflows, unplug unit. Allow unit, coffee, and grounds to cool before cleaning unit, coffee, or grounds.



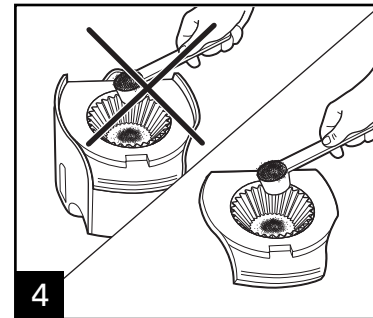
**1** Fill coffee tank with water. Do not fill beyond the 6-cup line when making iced coffee.



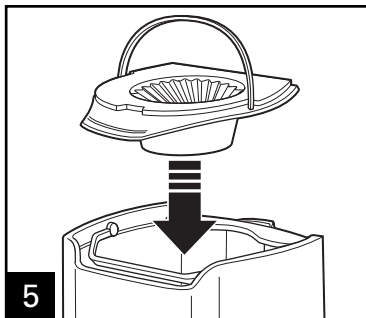
**2**



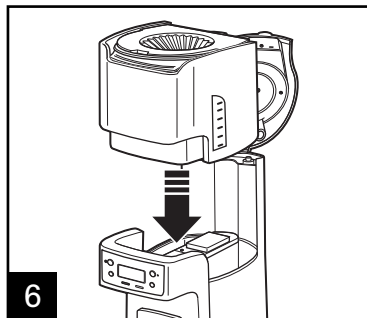
**3** Fill coffee tank with ice to the **MAX FILL ICE** line.



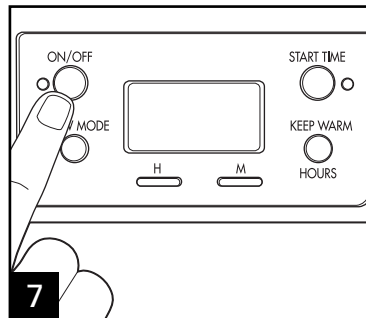
**4** Brew double-strength coffee for iced coffee. Add 2 scoops\* or 2 level tablespoons of ground coffee per cup (up to 12 scoops).



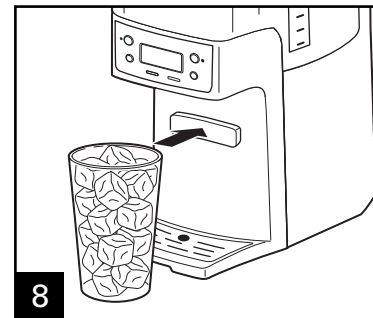
**5**



**6**

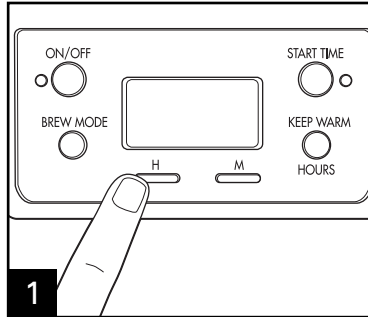


**7** Set **KEEP WARM HOURS** to 0. Press **ON**.

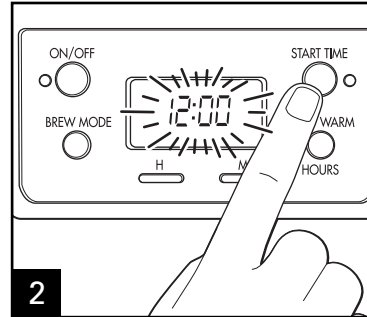


**8**

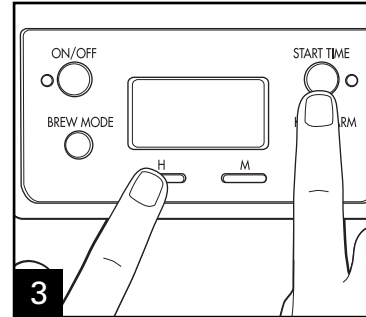
# Programming



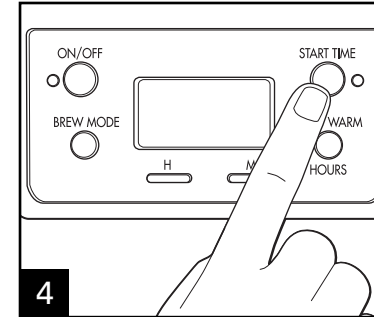
**1** To set clock: Press **H** and then **M**.  
**NOTE:** Clock time must be set for programming function to work.



**2** To program auto brew: Press and hold **START TIME** until clock flashes. **START TIME** will appear in display.



**3** Continue holding **START TIME**; then press **H** and **M** until the desired brewing start time is reached.



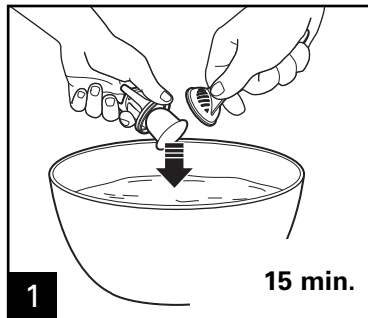
**4** Press and release **START TIME** to activate automatic brewing. A green light will signal that the unit is in program mode.

# Water Filter

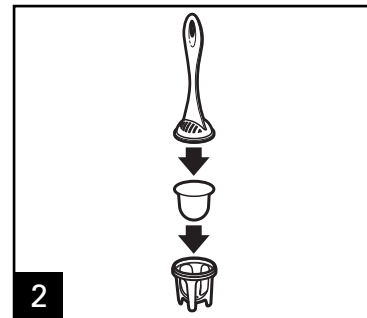
(optional accessory)

For better tasting coffee, use a water filter.

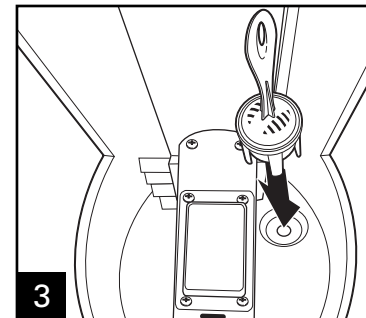
Filter replacement is recommended every 60 cycles.



**1** 15 min.



**2**



**3**

## Water Filter (Optional Accessory)

If using a water filter, it should be replaced every 60 cycles for best tasting coffee.

**To Order a Water Filter Call:**

**1.800.851.8900 (U.S.)**

**1.800.267.2826 (Canada)**

**01.800.71.16.100 (Mexico)**

or visit

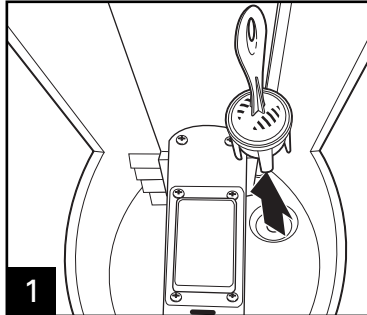
**hamiltonbeach.com**

**hamiltonbeach.ca**



# Cleaning with Vinegar

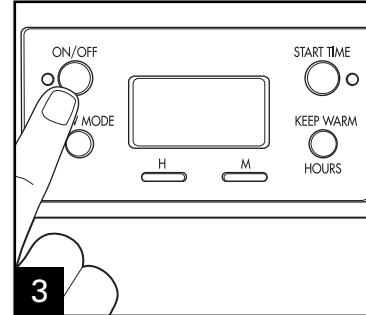
Clean BrewStation® at least once a month (once a week for areas with hard water).



**1** Remove optional water filter.

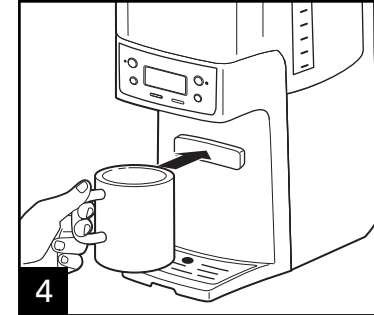


**2** Pour 1 pint (2 cups/500 ml) vinegar into water reservoir.

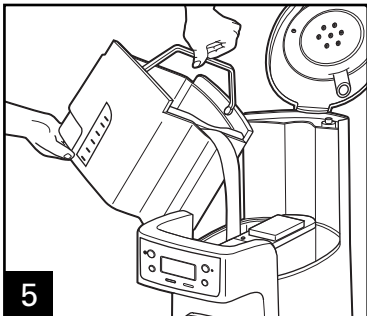


**3** Press **ON**. Turn **OFF** after 20 seconds and wait 30 minutes. Press **ON**. Turn **OFF** when finished. When cool, dispense several cups before emptying and rinsing reservoir. **NOTE:** Coffeemaker will remind you it is time for cleaning in two ways:

- Built-in cycle timer—Every 30 cycles, CLEAN will flash in display and stay illuminated for 2 cycles.
- Built-in residue sensor—CLEAN will appear in display when unit senses residue buildup and remain illuminated until the unit has been cleaned.



**4**



**5** Run 2–3 more brew cycles with **CLEAN WATER** only. Allow to cool between cycles.



**DISHWASHER-SAFE**

## General Cleaning Instructions

**Inside of coffeemaker:** Follow steps 1–5 in “Cleaning with Vinegar.”

**Filter basket:** Remove the filter basket and wash by hand with warm, soapy water or in top rack of dishwasher. Clean filter basket often.

**Outside of coffeemaker:** Wipe outside with a soft cloth and warm, soapy water. Do not use abrasive cleaners, as they will scratch the finish of the product.

# Troubleshooting

PROBLEM	PROBABLE CAUSE
Coffee leaks from dispenser.	<ul style="list-style-type: none"> <li>Coffee grounds trapped in coffee tank dispensing mechanism under seal in coffee tank. See "Cleaning with Vinegar."</li> </ul>
<b>CLEAN</b> appears in display.	<ul style="list-style-type: none"> <li>This is a reminder to clean coffeemaker. See "Cleaning with Vinegar."</li> </ul>
Coffee tastes bad.	<ul style="list-style-type: none"> <li>Coffeemaker needs cleaning.</li> <li>Coffee ground too coarsely or too finely. Set coffee grinder to automatic drip grind.</li> <li>Coffee-to-water ratio unbalanced. Adjust for personal preference.</li> <li>Poor water quality. Use water filter or bottled water to make coffee.</li> </ul>
Coffee not brewing or stops brewing/unit will not turn on.	<ul style="list-style-type: none"> <li>Mineral deposits have built up. Clean the coffeemaker following "Cleaning with Vinegar."</li> <li>Water reservoir is empty.</li> <li>Unit is unplugged.</li> <li>Power outage or power surge. If surge, unplug; then plug back in.</li> </ul>
Coffee brews slowly.	<ul style="list-style-type: none"> <li><b>Coffeemaker needs cleaning.</b> Clean at least every 30 days to maintain proper performance.</li> <li>Coffeemaker is in the <b>1-4 CUPS</b> or <b>BOLD</b> modes. Press Brew Mode button until no lights appear.</li> </ul>
Coffee overflows basket.	<ul style="list-style-type: none"> <li>Excessive amounts of coffee grounds. See Table on page 5.</li> <li>Coffee ground too finely. Set coffee grinder to automatic drip grind.</li> <li>More than one paper filter in filter basket. Poor quality paper filter or wrong size paper filter.</li> </ul>
Unit beeps continuously/ will not brew and/or <b>POUR WATER</b> appears in display.	<ul style="list-style-type: none"> <li>No water in reservoir. Transfer water from coffee tank to reservoir.</li> </ul>
Coffee is cold when dispensed.	<ul style="list-style-type: none"> <li>Selected Keep Warm Hours have elapsed and coffeemaker has automatically shut off. Brew new cycle. See "How to Make Coffee."</li> </ul>

## *Limited Warranty*

This warranty applies to products purchased in the U.S. and Canada. This is the only express warranty for this product and is in lieu of any other warranty or condition.

This product is warranted to be free from defects in material and workmanship for a period of one (1) year from the date of original purchase. During this period, your exclusive remedy is repair or replacement of this product or any component found to be defective, at our option; however, you are responsible for all costs associated with returning the product to us and our returning a product or component under this warranty to you. If the product or component is no longer available, we will replace with a similar one of equal or greater value.

This warranty does not cover glass, filters, wear from normal use, use not in conformity with the printed directions, or damage to the product resulting from accident, alteration, abuse or misuse. This warranty extends only to the original consumer purchaser or gift recipient. Keep the original sales receipt, as proof of purchase is required to make a warranty claim. This warranty is void if the product is used for other than single-family household use.

We exclude all claims for special, incidental and consequential damages caused by breach of express or implied warranty. All liability is limited to the amount of the purchase price. **Every implied warranty, including any statutory warranty or condition of merchantability or fitness for a particular purpose, is disclaimed except to the extent prohibited by law, in which case such warranty or condition is limited to the duration of this written warranty.** This warranty gives you specific legal rights. You may have other legal rights that vary depending on where you live. Some states or provinces do not allow limitations on implied warranties or special, incidental or consequential damages, so the foregoing limitations may not apply to you.

To make a warranty claim, do not return this appliance to the store. Please call 1.800.851.8900 in the U.S. or 1.800.267.2826 in Canada or visit [hamiltonbeach.com](http://hamiltonbeach.com) in the U.S. or [hamiltonbeach.ca](http://hamiltonbeach.ca) in Canada. For faster service, locate the model, type, and series numbers on your appliance.

## CONSEILS DE SÉCURITÉ IMPORTANTS

Au moment d'utiliser des appareils électriques, on doit toujours respecter les règles de sécurité élémentaires afin de minimiser les risques d'incendie, d'électrocution et des blessures, notamment celles qui suivent :

1. Lire toutes les instructions.
2. Ne pas toucher aux surfaces chaudes. Utiliser les poignées ou les boutons. Prendre toutes les précautions nécessaires pour éviter les brûlures causées par les surfaces chaudes, les déversements et le liquide chaud.
3. Pour éviter les risques d'électrocution, ne pas placer le cordon, la fiche ou la cafetière BrewStation® dans l'eau ou tout autre liquide.
4. L'utilisation de tout appareil par ou près des enfants exige une surveillance accrue.
5. Débrancher de la prise murale lorsque la cafetière BrewStation® ou l'horloge n'est pas utilisée et avant le nettoyage. Laisser refroidir la cafetière avant d'installer ou de retirer des pièces et avant de la nettoyer.
6. Des éclaboussures peuvent survenir si le couvercle est soulevé pendant le cycle d'infusion. Ne pas ouvrir le couvercle tant que la cafetière n'est pas complètement refroidie.
7. La cafetière BrewStation® doit fonctionner sur une surface plane, loin du rebord de comptoir pour éviter le basculement accidentel.
8. Ne pas utiliser aucun appareil dont le cordon ou la prise est endommagé, ou après toutes anomalies de fonctionnement de l'appareil, une chute ou tout autre dommage quel qu'il soit. Appeler la ligne sans frais du Service à la clientèle pour plus d'information à propos d'une vérification, réparation ou réglage.
9. L'utilisation de tout autre accessoire contre-indiqué par le fabricant de l'appareil peut causer des blessures.
10. Ne pas utiliser à l'extérieur.
11. Ne pas laisser pendre le cordon de la table ou du comptoir et éviter tout contact avec les surfaces chaudes incluant la cuisinière.
12. Le réservoir de café est conçu pour être utilisé avec cette cafetière BrewStation®. Elle ne doit jamais être utilisée sur une table de cuisson ou dans un four à micro-ondes.
13. Ne pas placer la cafetière BrewStation® sur ou près d'un brûleur à gaz ou électrique ou dans un four chaud.
14. Pour débrancher la cafetière BrewStation®, mettre la cafetière hors tension en tournant les commandes à OFF puis débrancher la fiche de la prise murale.
15. **AVERTISSEMENT !** Pour éviter les risques d'incendie et d'électrocution, ne pas enlever le couvercle inférieur de la cafetière. Aucune pièce réparable à l'intérieur. Les réparations doivent être faites par un technicien agréé seulement.
16. N'utiliser cet appareil que pour les fonctions auxquelles il est destiné.

**CONSERVER CES INSTRUCTIONS !**

## IMPORTANT

Ne jamais utiliser le réservoir de café pour verser ou transporter le café chaud.  
Ne manipuler le réservoir de café que lorsqu'il ne contient que de l'eau froide.



### Information additionnelle

- Si un débordement survient : Laisser refroidir complètement la cafetière et la mouture avant d'effectuer tout nettoyage.
- Utiliser uniquement les filtres de grande qualité et de marque.
- Utiliser uniquement 1 cuillère à soupe de café moulu pour chaque tasse d'eau.
- Utiliser un nettoyant pour cafetière pour prévenir les dépôts calcaires qui nuisent à la performance des cafetières. Nettoyer tous les mois.
- Le réservoir de café n'est pas conçu pour aller au lave-vaisselle.
- Lire les instructions avant l'utilisation.

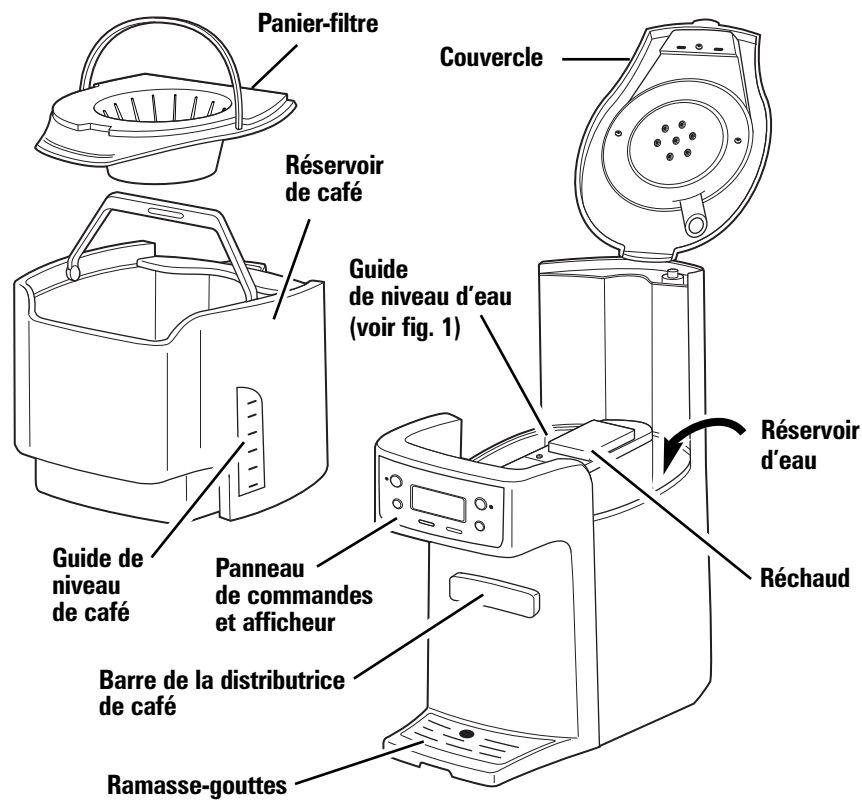
## AUTRE INFORMATION DE SÉCURITÉ POUR LE CONSOMMATEUR

**Cet appareil est conçu pour une utilisation domestique seulement.**

**AVERTISSEMENT !** Risque d'électrocution : Cet appareil est doté d'une fiche polarisée (lame large) pour réduire le risque d'électrocution. Cette fiche s'insère d'une seule manière dans une prise polarisée. Ne pas transformer le dispositif de sécurité de la fiche en modifiant celle-ci de quelque façon ou en utilisant un adaptateur. Si la fiche refuse de s'insérer, inversez-la. Si elle refuse toujours de s'insérer, faire remplacer la prise par un électricien.

La longueur du cordon installé sur cet appareil a été sélectionnée afin de réduire les risques d'enchevêtrement ou de faux pas causés par un fil trop long. L'utilisation d'une rallonge approuvée est permise si le cordon est trop court. Les caractéristiques électriques de la rallonge doivent être équivalentes ou supérieures aux caractéristiques de la cafetière BrewStation®. Prendre toutes les précautions nécessaires pour installer la rallonge de manière à ne pas la faire courir sur le comptoir ou sur une table pour éviter qu'un enfant ne tire sur le cordon ou trébuche accidentellement. Pour éviter une surcharge du circuit électrique, ne pas utiliser d'appareil à grande puissance sur le même circuit électrique que la cafetière BrewStation®.

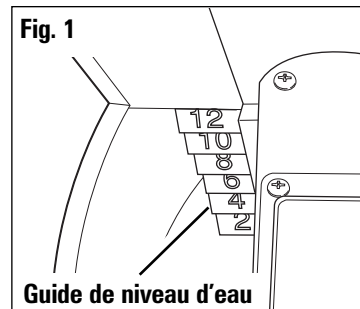
## Pièces et caractéristiques



## Accessoires facultatifs



Pour passer une commande,  
appeler :  
1.800.851.8900 (É.-U.)  
1.800.267.2826 (Canada)  
01.800.71.16.100 (Mexique)  
ou visiter [hamiltonbeach.com](http://hamiltonbeach.com)



# Préparation du café

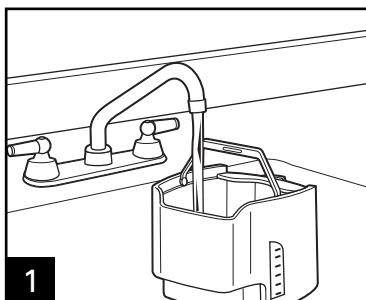
**Avant la première utilisation :** Laver le réservoir de café, le panier-filtre et le ramasse-gouttes avec de l'eau chaude savonneuse. **NE JAMAIS** mettre le réservoir au lave-vaisselle.

La cafetière BrewStation® est programmable pour se mettre hors tension automatiquement en 0 (pour le café glacé), 1, 2, 3 ou 4 heures selon votre besoin. La mise hors tension automatique par défaut est réglée à 4 heures.

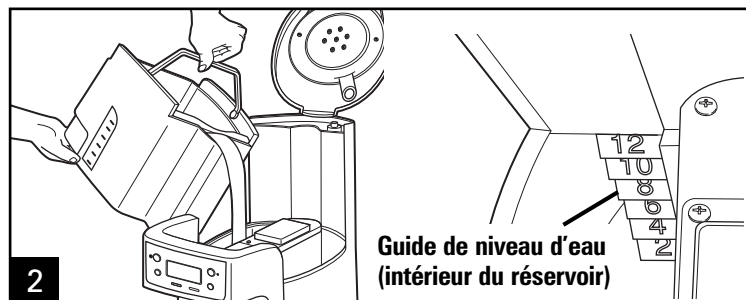
## ⚠ AVERTISSEMENT Risque de brûlure.

- Ne jamais utiliser le réservoir de café pour verser ou transporter le café chaud.
- Manipuler le réservoir à café uniquement lorsqu'il contient de l'eau froide pour le remplissage du réservoir d'eau et pour nettoyer le réservoir après la mise hors tension de la cafetière BrewStation® et lorsque le café est froid.
- Si la cafetière BrewStation® déborde, débrancher l'appareil. Laisser refroidir complètement l'appareil, le café et la mouture avant de nettoyer l'appareil, le café et la mouture.

\*La cuillère à café est offerte en option sur certains modèles.

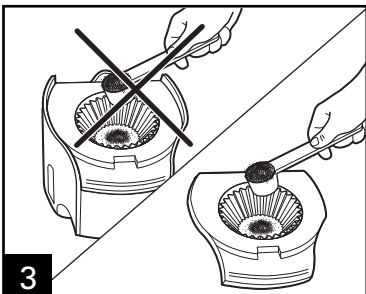


1



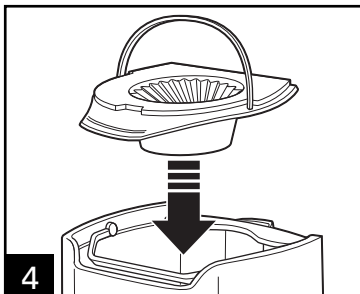
2

Guide de niveau d'eau  
(intérieur du réservoir)

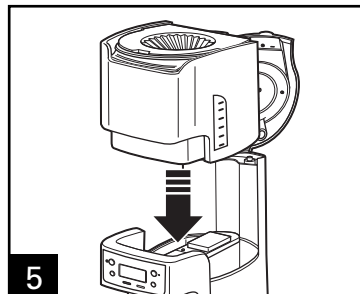


3

Éviter la dispersion des grains de café vers les autres parties de la cafetière.



4

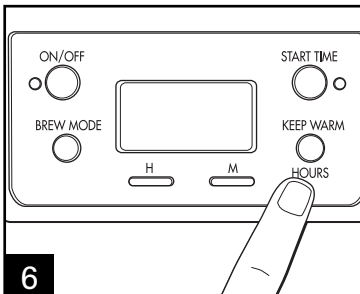


5

Quantité normale de café par tasse  
1 cuillère\* ou 1 cuillère à soupe rase  
par tasse

Quantité maximale de café filtre  
pour cafetière automatique à utiliser  
avec la cafetière BrewStation®

Café	Cuillères	Cuillères à soupe
Régulier	13	13
Décaf.	12	12



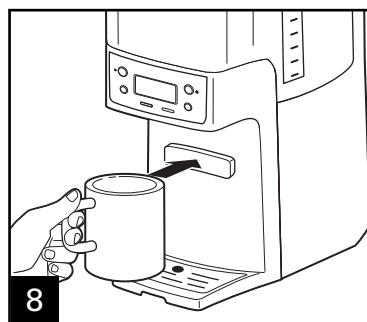
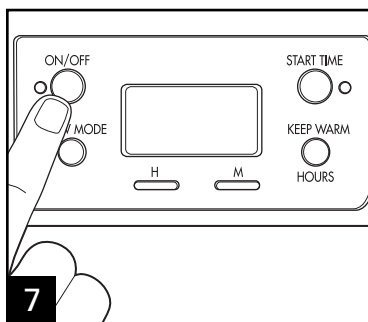
6

Régler le temps de **GARDE AU CHAUD** (Keep Warm) à 1, 2, 3 ou 4 heures. Le réglage « 0 » est utilisé pour le café glacé.

## Préparation du café (suite)

### ⚠ AVERTISSEMENT Risque de brûlure.

- Ne jamais utiliser le réservoir de café pour verser ou transporter le café chaud.
- Manipuler le réservoir à café uniquement lorsqu'il contient de l'eau froide pour le remplissage du réservoir d'eau et pour nettoyer le réservoir après la mise hors tension de la cafetière BrewStation® et lorsque le café est froid.
- Si la cafetière BrewStation® déborde, débrancher l'appareil. Laisser refroidir complètement l'appareil, le café et la mouture avant de nettoyer l'appareil, le café et la mouture.



La cafetière émettra un signal sonore dès la fin du cycle d'infusion.

### Options d'infusion

#### **CORSÉ**

Pour un café fort ou corsé

Appuyer sur le bouton de mode d'infusion jusqu'à ce que l'indication « **BOLD** » s'affiche

#### **1 À 4 TASSES**

Pour l'infusion de 1 à 4 tasses de café

Appuyer sur le bouton de mode d'infusion jusqu'à ce que « **1 À 4 TASSES** » s'affiche

**NOTE :** Les modes **CORSÉ (BOLD)** et **1 À 4 TASSES (1-4 CUPS)** nécessitent un cycle d'infusion plus long. Une option d'infusion doit être sélectionnée avant d'appuyer sur le bouton de mise en marche (ON) de l'appareil. Le réglage ne peut être modifié pendant/au cours du mode d'infusion. Si une option d'infusion n'est pas sélectionnée, la cafetière infuse automatiquement au mode de réglage par défaut/normal.

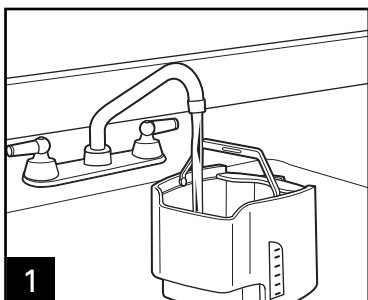


# Préparation du café glacé

*\*La cuillère à café est offerte en option sur certains modèles.*

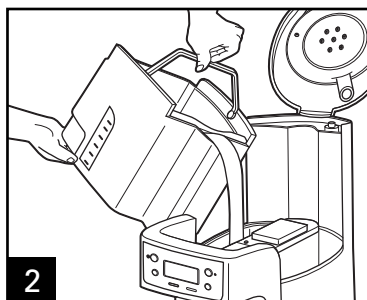
## ⚠ AVERTISSEMENT Risque de brûlure.

- Ne jamais utiliser le réservoir de café pour verser ou transporter le café chaud.
- Manipuler le réservoir à café uniquement lorsqu'il contient de l'eau froide pour le remplissage du réservoir d'eau et pour nettoyer le réservoir après la mise hors tension de la cafetière BrewStation® et lorsque le café est froid.
- Si la cafetière BrewStation® déborde, débrancher l'appareil. Laisser refroidir complètement l'appareil, le café et la mouture avant de nettoyer l'appareil, le café et la mouture.

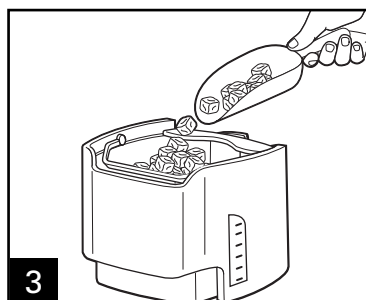


1

Remplir le réservoir de café avec de l'eau. Ne pas dépasser la ligne des 6 tasses lorsque de la préparation de café glacé.

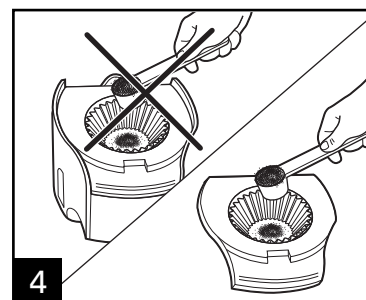


2



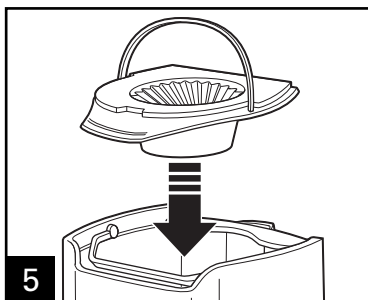
3

Remplir le réservoir de café avec de la glace jusqu'à la ligne de **REMPLISSAGE MAXIMAL (MAX FILL ICE)**.

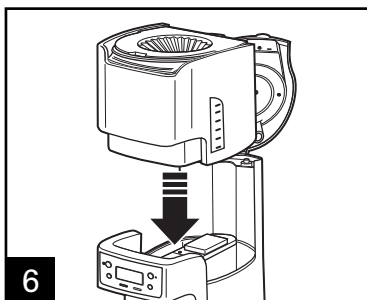


4

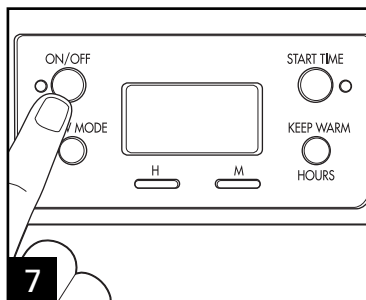
Infuser du café très fort pour café glacé. Ajouter deux cuillères\* ou 2 cuillères à soupe rases de café moulu par tasse (jusqu'à 12 cuillères).



5

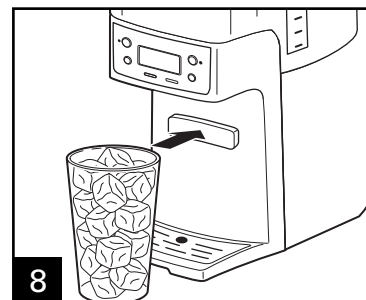


6



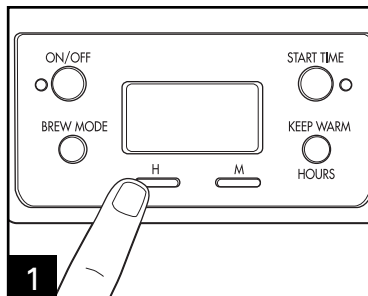
7

Régler les **HEURES DE GARDE** au chaud à 0. Appuyez sur **ON** (mise en marche).

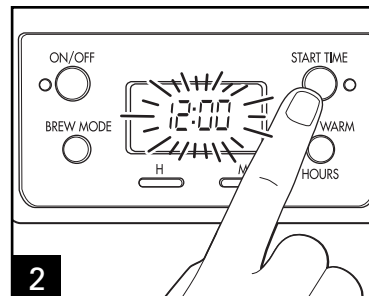


8

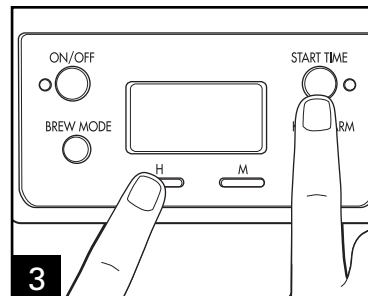
# Programmation



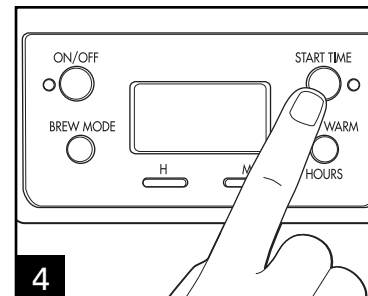
**1** Réglage de l'horloge : Appuyer sur **H** puis sur **M**. **NOTE** : L'horloge doit être réglée pour pouvoir utiliser la fonction de programmation.



**2** Programmation de l'infusion automatique : Appuyer et maintenir enfoncé le bouton du **DÉBUT D'INFUSION (START TIME)** jusqu'à ce que l'horloge clignote. La période de **DÉBUT D'INFUSION (START TIME)** apparaîtra à l'écran.



**3** Maintenir le bouton de **DÉBUT D'INFUSION (START TIME)** enfoncé; puis appuyer sur **H** et **M** pour obtenir l'heure du début d'infusion désirée.

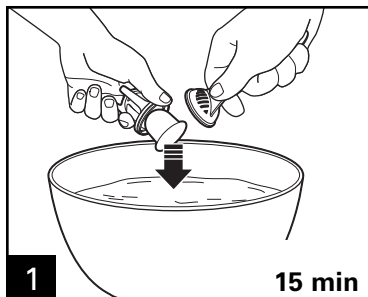


**4** Appuyer et relâcher le bouton de **DÉBUT D'INFUSION (START TIME)** pour activer l'infusion automatique. Un témoin vert lumineux signalera que l'appareil est activé au mode de programmation.

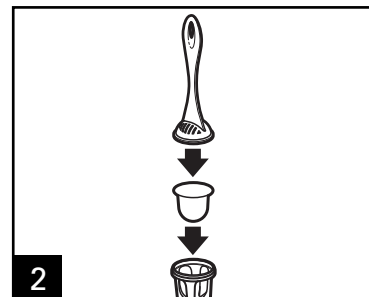
## Filtre à eau

(accessoire offert en option)

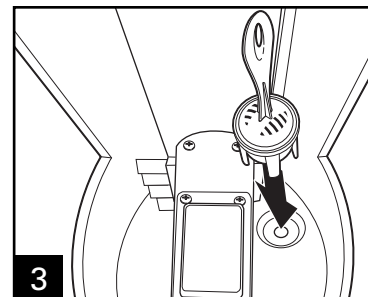
Pour obtenir une saveur maximale du café, utiliser un filtre à eau. Il est recommandé de remplacer le filtre tous les 60 cycles.



**1**



**2**



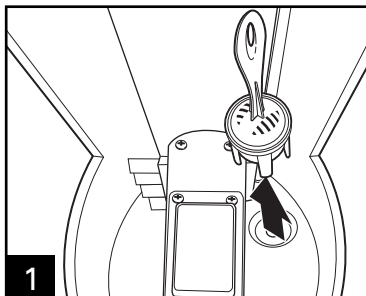
**3**

**Filtre à eau (accessoire offert en option)**  
Lorsqu'un filtre à eau est utilisé, il devrait être remplacé tous les 60 cycles pour obtenir la saveur maximale du café.

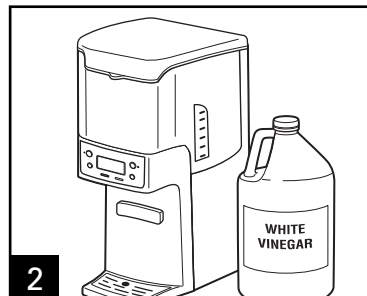
**Pour passer une commande de filtre à eau, appeler :**  
**1.800.851.8900 (É.-U.)**  
**1.800.267.2826 (Canada)**  
**01.800.71.16.100 (Mexique)**  
ou visiter le site [hamiltonbeach.ca](http://hamiltonbeach.ca)

## Nettoyage avec du vinaigre

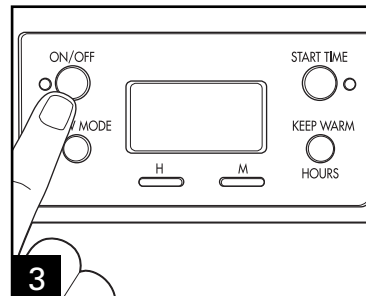
Nettoyer la cafetière BrewStation® une fois par mois (une fois la semaine pour les zones à forte teneur en calcaire).



**1** Retirer le filtre à eau facultatif.

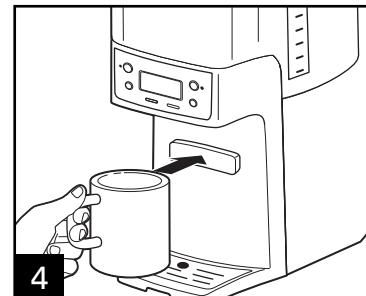


**2** Verser 500 ml (2 tasses) de vinaigre dans le réservoir à eau.

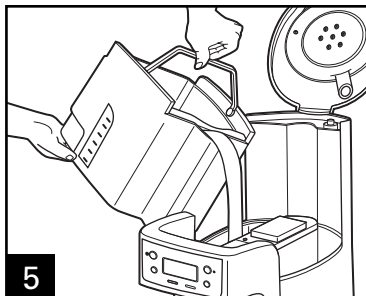


**3** Appuyez sur **ON** (mise en marche). **Mettez hors tension (OFF) après 20 secondes et attendez 30 minutes.** Appuyez sur **ON** (mise en marche). Mettre hors tension (**OFF**) dès la fin de l'utilisation. Lorsque le vinaigre est refroidi, distribuer plusieurs tasses avant de vider et de rincer le réservoir. **NOTE** : La cafetière signale la période de nettoyage de deux manières :

- Minuterie de cycle intégrée—Tous les 30 cycles, le témoin de nettoyage (CLEAN) clignotera à l'écran et restera illuminé pendant 2 cycles.
- Capteur de résidus intégré—Le témoin de nettoyage (CLEAN) s'affichera à l'écran lorsque l'appareil capte des accumulations de résidus et restera illuminé jusqu'au nettoyage de l'appareil.



**4**



**5** Effectuer 2 ou 3 cycles d'infusion de plus avec de l'EAU PROPRE seulement. Permettre le refroidissement entre chaque cycle.



**LAVABLES AU  
LAVE-VAISSELLE**

### Instructions générales de nettoyage

**Intérieur de la cafetière** : Suivre les étapes 1 à 5 du chapitre « Nettoyage avec du vinaigre ».

**Panier-filtre** : Retirer le panier-filtre et laver à la main à l'eau chaude savonneuse ou dans le panier supérieur du lave-vaisselle. Nettoyer le panier-filtre souvent.

**Extérieur de la cafetière** : Essuyer l'extérieur avec un linge doux imbibé d'eau chaude savonneuse. Ne pas utiliser de nettoyants abrasifs pour éviter d'égratigner le fini du produit.

# Dépannage

## PROBLÈME

## CAUSE POSSIBLE

Égouttement de café du distributeur.

- Des grains de café sont emprisonnés dans le mécanisme de distribution du réservoir sous le joint d'étanchéité du réservoir de café. Voir le chapitre « Nettoyage avec du vinaigre ».

L'indicateur « **CLEAN** » apparaît à L'ÉCRAN.

- Ceci est un rappel de nettoyage de la cafetière. Voir le chapitre « Nettoyage avec du vinaigre ».

Le café a mauvais goût.

- La cafetière doit être nettoyée.
- La mouture du café est trop grossière ou trop fine. Régler le moulin à café à café moulu pour cafetière automatique.
- Portions de café et d'eau incorrecte. Ajuster les choix personnels.
- Piètte qualité de l'eau. Utiliser un filtre à eau ou de l'eau embouteillée pour faire le café.

Le café n'infuse pas/  
l'infusion de café  
s'arrête/l'appareil  
refuse de démarrer.

- Des dépôts minéraux se sont accumulés. Nettoyer la cafetière en suivant les instructions du chapitre « Nettoyage avec du vinaigre ».
- Le réservoir d'eau est vide.
- L'appareil n'est pas branché.
- Coupure de courant ou surtension. Lors d'une surtension, débrancher puis rebrancher l'appareil.

L'infusion du café est lente.

- **La cafetière doit être nettoyée.** Nettoyer au moins tous les 30 jours pour maintenir la performance adéquate.
- La cafetière est réglée aux modes « **1-4 CUPS** » ou « **BOLD** ». Appuyer sur le bouton du mode d'infusion jusqu'à ce que les témoins s'éteignent.

## Dépannage *(suite)*

### PROBLÈME

Le café déborde du panier.

L'appareil émet un signal sonore continu/l'infusion ne se produit PAS OU l'indicateur de **QUALITÉ D'EAU** (POOR WATER) apparaît à l'écran.

Le café distribué est froid.

### CAUSE POSSIBLE

- Grande quantité de marc de café. Voir le tableau de la page 15.
- La mouture du café est trop fine. Régler le moulin à café à café moulu pour cafetière automatique.
- Il y a plus d'un filtre de papier dans le panier-filtre. Piètre qualité des filtres de papier ou format inadéquat.
- Réservoir d'eau vide. Transférer l'eau du réservoir de café vers le réservoir.
- Les heures de garde au chaud sélectionnées sont périmées et la cafetière s'est mise hors tension automatiquement. Nouveau cycle d'infusion. Voir le chapitre « Préparation du café ».

## Garantie limitée

Cette garantie s'applique aux produits achetés aux É.-U. et au Canada. C'est la seule garantie expresse pour ce produit et est en lieu et place de tout autre garantie ou condition.

Ce produit est garanti contre tout défaut de matériaux et de main-d'oeuvre pour une période de un (1) an à compter de la date d'achat d'origine. Au cours de cette période, votre seul recours est la réparation ou le remplacement de ce produit ou tout composant s'avérant défectueux, à notre gré, mais vous êtes responsable de tous les coûts liés à l'expédition du produit et le retour d'un produit ou d'un composant dans le cadre de cette garantie. Si le produit ou un composant n'est plus offert, nous le remplacerons par un produit similaire de valeur égale ou supérieure.

Cette garantie ne couvre pas le verre, les filtres, l'usure d'un usage normal, l'utilisation non conforme aux directives imprimées, ou des dommages au produit résultant d'un accident, modification, utilisation abusive ou incorrecte. Cette garantie s'applique seulement à l'acheteur original ou à la personne l'ayant reçu en cadeau. La présentation du reçu de vente d'origine comme preuve d'achat est nécessaire pour faire une réclamation au titre de cette garantie. Cette garantie ne s'applique pas si le produit est utilisé à d'autres fins qu'une utilisation domiciliaire familiale.

Nous excluons toutes les réclamations au titre de cette garantie pour les dommages spéciaux, consécutifs et indirects causés par la violation de garantie expresse ou implicite. Toute responsabilité est limitée au prix d'achat. **Chaque garantie implicite, y compris toute garantie ou condition de qualité marchande ou d'adéquation à un usage particulier, est exonérée, sauf dans la mesure interdite par la loi, auquel cas la garantie ou condition est limitée à la durée de cette garantie écrite.** Cette garantie vous donne des droits légaux précis. Vous pouvez avoir d'autres droits qui varient selon l'endroit où vous habitez. Certaines provinces ne permettent pas les limitations sur les garanties implicites ou les dommages spéciaux ou indirects de telle sorte que les limitations ci-dessus ne s'appliquent peut-être pas à votre cas.

Ne pas retourner cet appareil au magasin lors d'une réclamation au titre de cette garantie. Téléphoner au 1.800.851.8900 aux É.-U. ou au 1.800.267.2826 au Canada ou visiter le site internet [www.hamiltonbeach.com](http://www.hamiltonbeach.com) aux É.-U. ou [www.hamiltonbeach.ca](http://www.hamiltonbeach.ca) au Canada. Pour un service plus rapide, trouvez le numéro de modèle, le type d'appareil et les numéros de série sur votre appareil.

## SALVAGUARDIAS IMPORTANTES

Cuando use aparatos eléctrico, siempre deben de seguirse precauciones básicas de seguridad para reducir riesgos de fuego, descargas eléctricas, y/o lesiones a personas, incluyendo lo siguiente:

1. Lea todas las instrucciones.
2. Verifique que el voltaje de su instalación corresponda con el del producto.
3. No toque superficies calientes. Use las manijas o perillas. Se debe de tener cuidado, ya que pueden ocurrir quemaduras al tocar partes calientes o por liquido caliente derramado.
4. Para protegerse contra una descarga eléctrica, no coloque el cable, enchufe o la BrewStation® en agua u otro líquido.
5. Se requiere de una estrecha supervisión cuando cualquier aparato está siendo usado por o cerca de niños.
6. Desconecte de la toma cuando la BrewStation® o el reloj no esté en uso y antes de limpiar. Deje enfriar antes de poner o quitar partes y antes de limpiar el aparato.
7. Se puede escaldar si la tapa es levantada durante el ciclo de preparación. No abra la tapa hasta que la cafetera se haya enfriado completamente.
8. La BrewStation® debe operar sobre una superficie plana lejos del borde de una cubierta para prevenir que se caiga accidentalmente.
9. No opere ningún aparato con un cable o enchufe dañado, o después de que el aparato funcione mal o se caiga o dañe de cualquier manera. Llame a nuestro número Lada sin costo de servicio a cliente para información sobre examinación, reparación o ajuste.
10. El uso de aditamentos de accesorio no recomendados por el fabricante del aparato puede causar lesiones.
11. No use en exteriores.
12. No deje que el cable cuelgue del borde de la mesa o cubierta o toque superficies calientes, incluyendo el horno.
13. El tanque de café está diseñado para usarse con esta BrewStation®. No debe usarse sobre una estufa o en un horno de microondas.
14. No coloque la BrewStation® sobre o cerca de un quemador de gas o eléctrico caliente o sobre un horno caliente.
15. Para desconectar la BrewStation®, gire los controles a APAGADO, luego remueva el enchufe de la toma de la pared.
16. **¡ADVERTENCIA!** Para reducir el riesgo de fuego o descarga eléctrica, no remueva la cubierta inferior. No hay partes que requieran servicio en el interior. La reparación debe hacerse por personal de servicio autorizado únicamente.
17. No use el aparato para otro uso que no sea para el que fue hecho.

## ¡GUARDE ESTAS INSTRUCCIONES!

## IMPORTANTE

Nunca use el tanque de café para vaciar o llevar café caliente.  
Maneje el tanque de café sólo cuando tenga agua fría.



### Información Adicional

- Si ocurre un desbordamiento: Deje que la unidad, café y el molido se enfríen completamente antes de intentar cualquier limpieza.
- Use sólo filtros de marca de alta calidad.
- Use sólo 1 cucharada de café molido por cada taza de agua.
- Use limpiador de cafeteras para prevenir depósitos de agua dura que afecte el desempeño de la cafetera. Limpie mensualmente.
- No lave el tanque de café en el lavaplatos.
- Lea las instrucciones antes de usar.

## MÁS INFORMACIÓN DE SEGURIDAD PARA EL CONSUMIDOR

**Este aparato está planeado para uso doméstico.**

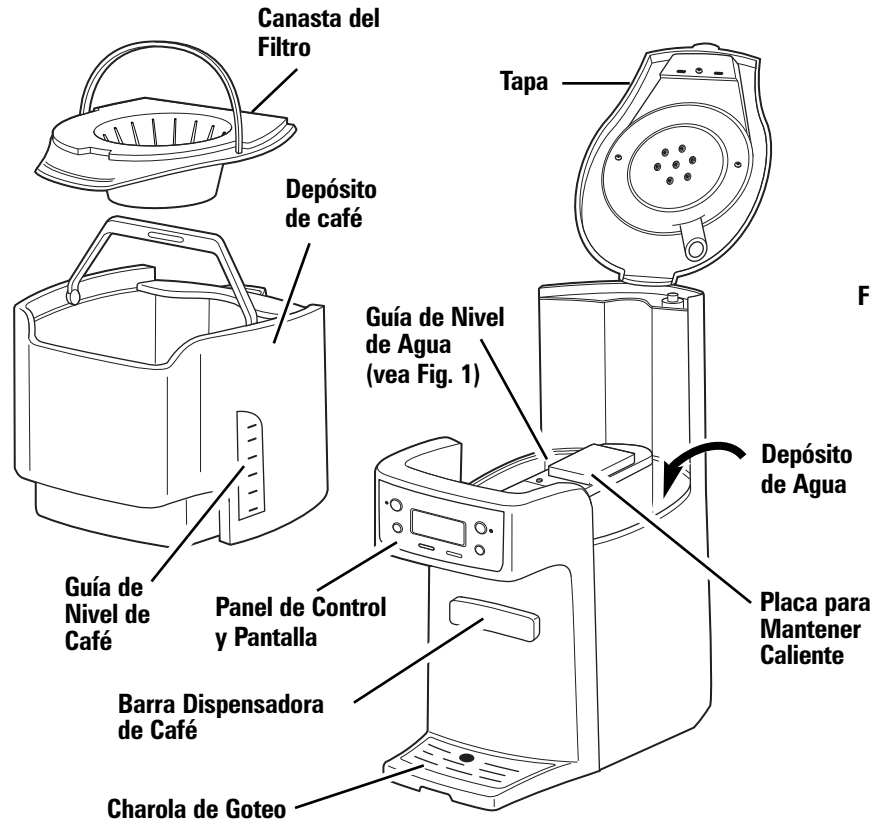
**¡ADVERTENCIA!** Peligro de Descarga: Este aparato tiene un enchufe polarizado (una clavija ancha) que reduce el riesgo de descarga eléctrica. El enchufe se ajusta sólo de un manera en una toma polarizada. No elimine el propósito de seguridad del enchufe modificando el enchufe de ninguna manera o usando un adaptador. Si el enchufe no entra, invierta el enchufe. Si aún no entra, haga que un eléctrico reemplace la toma.

La longitud del cable usado para este aparato fue seleccionado para reducir los riesgos de enredarse o tropezarse con un cable más largo. Si se necesita un cable más largo, se puede usar un cable extensión aprobado. La clasificación eléctrica de la cable extensión debe ser igual o mayor a la clasificación de la BrewStation®. Se debe de tener cuidado de acomodar el cable extensión no cubra una cubierta o mesa y que pueda ser jalado por un niño o pueda provocar un tropiezo accidental.

Para evitar una sobrecarga del circuito eléctrico, no use otro aparato de alto potencia en el mismo circuito con su BrewStation®.



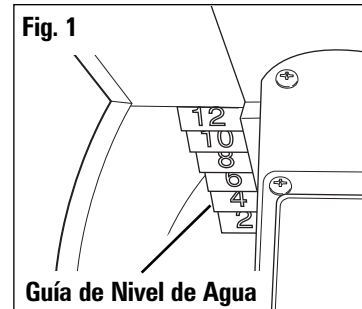
## Partes y Características



## Accesorios Opcionales



Para Ordenar Llame al:  
1.800.851.8900 (EE.UU.)  
1.800.267.2826 (Canadá)  
01.800.71.16.100 (México)  
o visite [hamiltonbeach.com](http://hamiltonbeach.com)



# Como hacer café

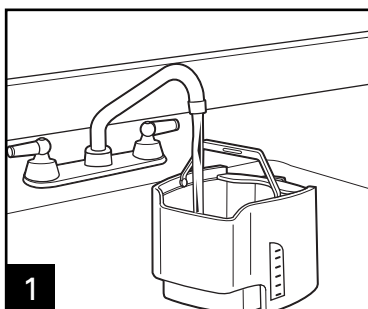
**Antes de usar por primera vez:** Lave el tanque de café, canasta del filtro, y charola de goteo en agua caliente jabonosa. **NUNCA** ponga el depósito de agua en el lavavajillas.

La BrewStation® puede ser programada para apagarse automáticamente en 0 (para Café Helado), 1, 2, 3, o 4 horas según lo deseado. El apagado automático está predeterminadamente en 4 horas.

**⚠ ADVERTENCIA Peligro de Quemarse.**

- Nunca use el tanque de café para vaciar o llevar café caliente.
- Maneje el tanque de café sólo cuando tenga agua fría para llenar el depósito de agua y para limpiar el tanque después de que la BrewStation® se haya apagado y el café esté fresco.
- Si la BrewStation® se desborda, desconecte la unidad. Deje que la unidad, café y el molido se enfríen completamente antes de limpiar la unidad, café o molido.

*\*La cuchara para café es una característica opcional en modelos seleccionados.*



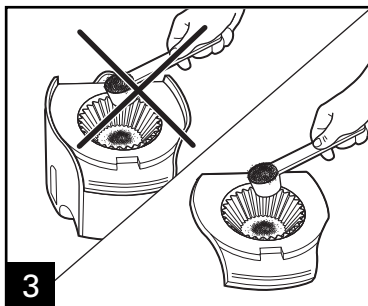
1



2

Guía de Nivel de Agua (dentro del depósito)

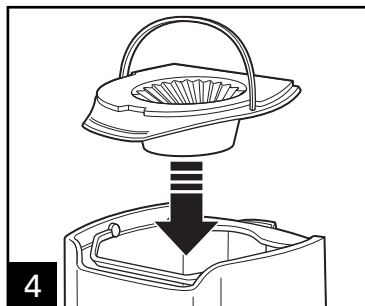
<b>Cantidad Normal de Café Por Taza</b>		
1 cucharón* o 1 cucharada al ras por taza		
<b>Cantidad Máxima de Café de Goteo Automático a Usar en la BrewStation®</b>		
<b>Café</b>	<b>Cucharón</b>	<b>Cucharadas</b>
Regular	13	13
Descafeinado	12	12



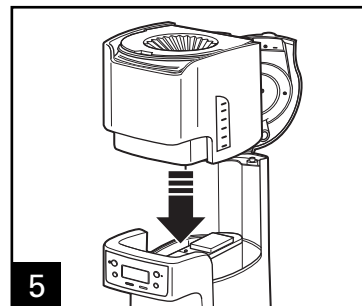
3

Evite que entre café molido en cualquier otra área de la BrewStation®.

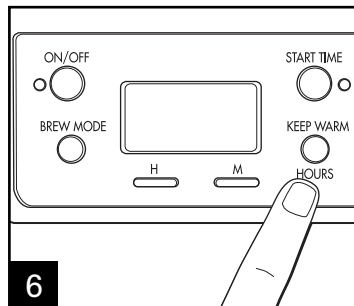
26



4



5



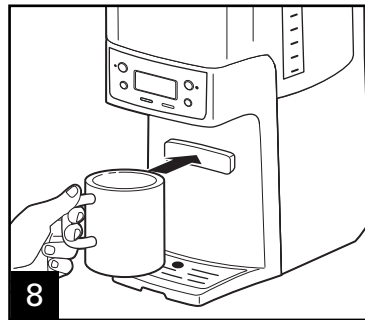
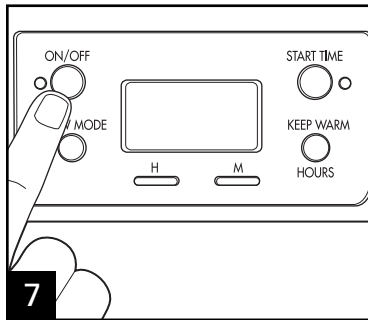
6

Ajuste **HORAS PARA MANTENER CALIENTE** en 1, 2, 3 o 4. El ajuste 0 es para café helado.

# Cómo Hacer Café (cont.)

**⚠ ADVERTENCIA Peligro de Quemarse.**

- Nunca use el tanque de café para vaciar o llevar café caliente.
- Maneje el tanque de café sólo cuando tenga agua fría para llenar el depósito de agua y para limpiar el tanque después de que la BrewStation® se haya apagado y el café esté fresco.
- Si la BrewStation® se desborda, desconecte la unidad. Deje que la unidad, café y el molido se enfrien completamente antes de limpiar la unidad, café o molido.



La cafetera emitirá un bip cuando la preparación haya terminado.

**Opciones de Preparación**

<p><b>CARGADO</b> Para café con sabor completo/ fuerte mejorado</p>	<p>Presione el botón de Modo de Preparación hasta que se muestre <b>CARGADO (BOLD)</b></p>
<p><b>1-4 TAZAS</b> Cuando prepare 1-4 tazas de café</p>	<p>Presione el botón de Modo Preparar hasta que se muestre <b>1-4 TAZAS (1-4 CUPS)</b></p>

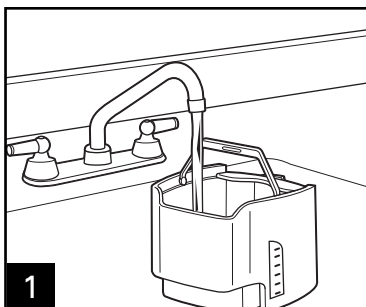
**NOTA:** Los modos **CARGADO** y **1-4 TAZAS** requerirán tiempo adicional para completar un ciclo de preparación. Una Opción de Preparación debe ser seleccionada antes de presionar el botón de ENCENDIDO. El ajuste no puede ser cambiado durante/en modo de preparación. Si una Opción de Preparación no se selecciona, la cafetera preparará automáticamente en el ajuste regular/ predeterminado.

# Para Hacer Café Helado

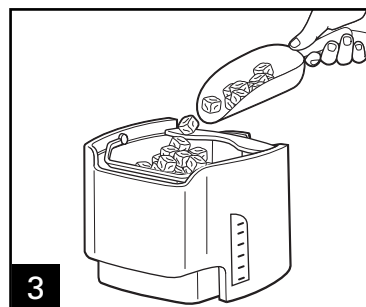
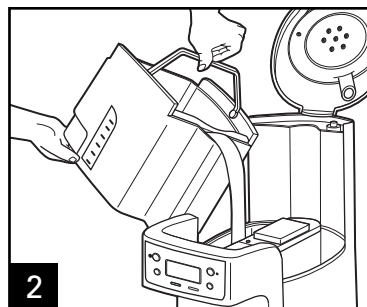
*\*El cucharón de café es una característica opcional en modelos seleccionados.*

## ⚠ ADVERTENCIA Peligro de Quemarse.

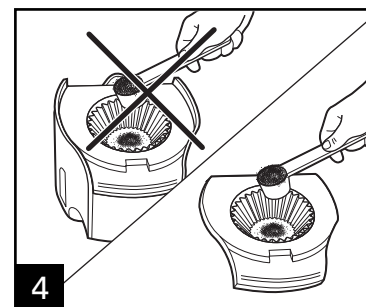
- Nunca use el tanque de café para vaciar o llevar café caliente.
- Maneje el tanque de café sólo cuando tenga agua fría para llenar el depósito de agua y para limpiar el tanque después de que la BrewStation® se haya apagado y el café esté fresco.
- Si la BrewStation® se desborda, desconecte la unidad. Deje que la unidad, café y el molido se enfríen completamente antes de limpiar la unidad, café o molido.



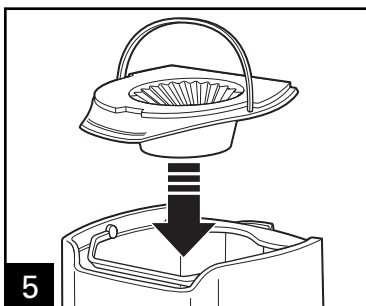
**1** Llene el tanque de café con agua. No llene más allá de la línea de 6-tazas cuando haga café helado.



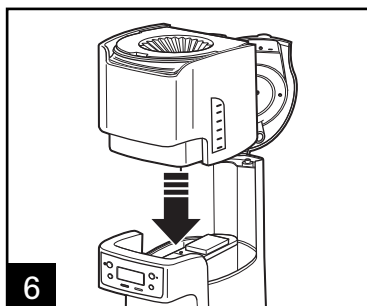
**3** Llene el tanque de café con hielo hasta la línea **LLENO MÁX HIELO**.



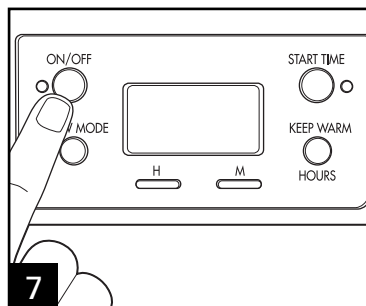
**4** Prepare el café doble aroma para café helado. Agregue 2 cucharones\* o 2 cucharadas al ras de café molido por taza (hasta 12 cucharones).



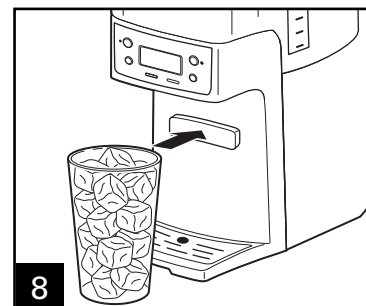
**5**



**6**

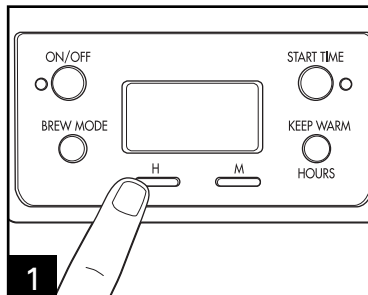


**7** Ajuste **HORAS PARA MANTENER CALIENTE** en 0. Presione **ENCENDIDO**.

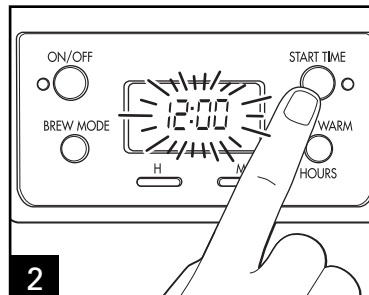


**8**

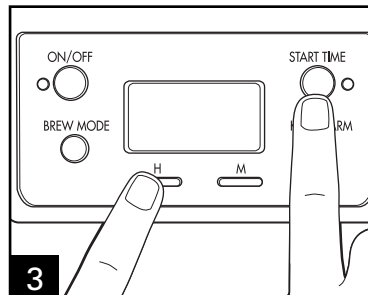
# Programación



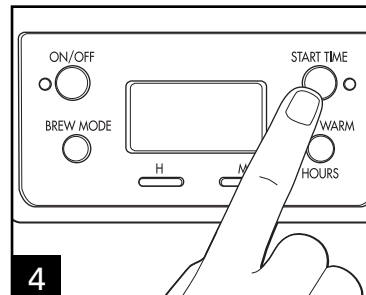
**1** Paja Ajustar el Reloj: Presione **H** y luego **M**. **NOTA:** La hora del reloj se debe ajustar para poder usar la función de programación.



**2** Para programar la auto preparación: Presione y sostenga **HORA DE INICIO** hasta que el reloj parpadee. La **HORA DE INICIO** aparecerá en la pantalla.



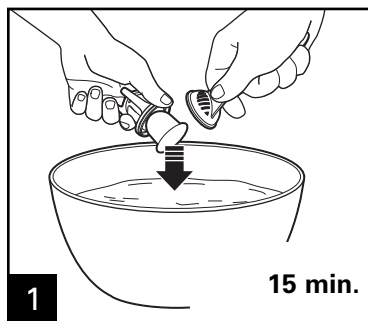
**3** Continúe presionando **HORA DE INICIO**, luego presione **H** y **M** hasta que la hora de inicio se alcance.



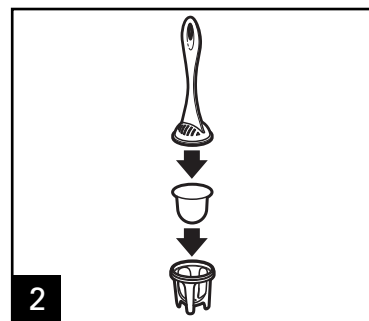
**4** Presione y libere **HORA DE INICIO** para activar la preparación automática. Una luz verde indicará que la unidad está en modo de programación.

# Filtro de Agua (accesorio opcional)

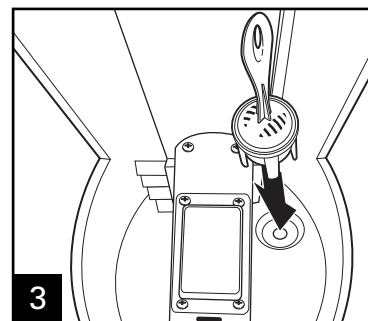
Para un café con mejor sabor, use un filtro de agua. Se recomienda un reemplazo de filtro cada 60 ciclos.



**1** 15 min.



**2**



**3**

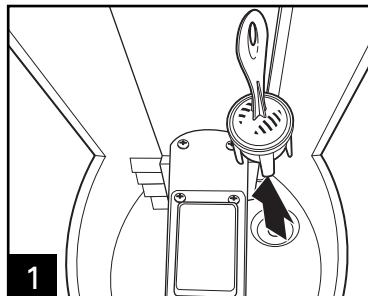
## Filtro de Agua (Accesorio Opcional)

Si usa un filtro de agua, debe ser reemplazado cada 60 ciclos para un mayor sabor del café.

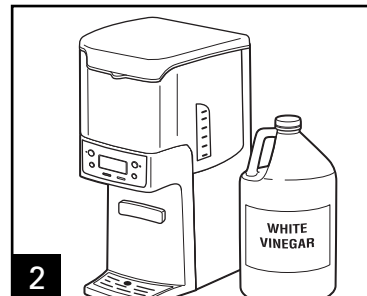
**Para Ordenar un Filtro de Agua Llame a:**  
**1.800.851.8900 (EE.UU.)**  
**1.800.267.2826 (Canadá)**  
**01.800.71.16.100 (México)**  
 o visite [hamiltonbeach.com.mx](http://hamiltonbeach.com.mx)

# Limpiando con Vinagre

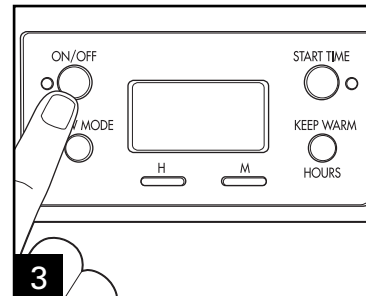
Limpie la BrewStation® al menos una vez al mes (una vez a la semana en áreas de agua dura).



**1** Remueva el filtro de agua opcional.

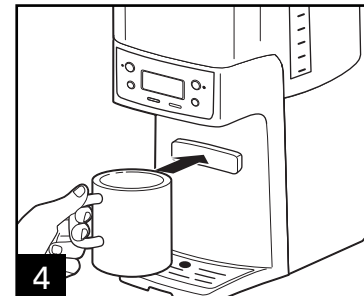


**2** Vacíe medio litro (2 tazas/500 ml) de vinagre en el depósito de agua.

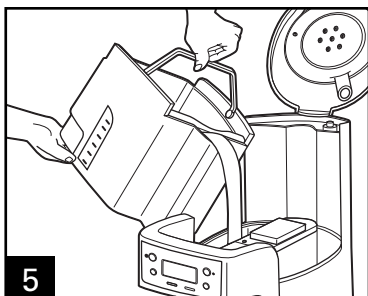


**3** Presione **ENCENDIDO. APAGUE después de 20 segundos y espere 30 minutos. Presione ENCENDIDO. APAGUE** cuando termine. Cuando esté fresco, dispense varias tazas antes de vaciar y enjuagar el depósito. **NOTA:** La cafetera le recordará que es tiempo para limpieza en dos formas:

- Contador de ciclo integrado—Cada 30 ciclos, se encenderá LIMPIEZA en la pantalla y permanecerá iluminado por 2 ciclos.
- Sensor de residuos integrado—Aparecerá LIMPIEZA en la pantalla cuando la unidad sienta que hay acumulación de residuos y permanecerá iluminado hasta que la unidad sea limpiada.



**4** Haga 2-3 ciclos de preparación más con AGUA LIMPIA solamente. Deje enfriar entre ciclos.



**5** Haga 2-3 ciclos de preparación más con AGUA LIMPIA solamente. Deje enfriar entre ciclos.



**SEGURA PARA EL LAVAPLATOS**

## Instrucciones Generales de Limpieza

**Interior de la cafetera:** Siga los pasos 1-5 de "Limpiando con Vinagre".

**Canastilla de filtro:** Remueva la canastilla de filtro y lave a mano con agua caliente jabonosa o en el estante superior del lavaplatos. Limpie la canastilla de filtro seguido.

**Exterior de la cafetera:** Limpie el exterior con un trapo suave y agua jabonosa caliente. No use limpiadores abrasivos, ya que tallarán el acabado del producto.

## Resolviendo Problemas

PROBLEMA	PROBABLE CAUSA
El café gotea del despachador.	<ul style="list-style-type: none"><li>• Hay café molido atrapado en el mecanismo dispensador del tanque del café debajo del anillo en el tanque de café. Vea "Limpiar con Vinagre".</li></ul>
Aparece LIMPIEZA en la pantalla.	<ul style="list-style-type: none"><li>• Este es un recordatorio para limpiar la cafetera. Vea "Limpiar con Vinagre".</li></ul>
El café sabe mal.	<ul style="list-style-type: none"><li>• La cafetera necesita limpieza.</li><li>• El café molido demasiado grueso o demasiado fino. Ajuste el molino de café a molido por goteo automático.</li><li>• Relación de café a agua desbalanceada. Ajuste para preferencias personales.</li><li>• Pobre calidad del agua. Use un filtro de agua o agua embotellada para hacer café.</li></ul>
No se hace el café o deja de prepararse/la unidad no enciende.	<ul style="list-style-type: none"><li>• Se han acumulado depósitos minerales. Limpie la cafetera según "Limpiando con Vinagre".</li><li>• El depósito de agua está vacío.</li><li>• La unidad está desconectada.</li><li>• Baja energía o sobrecarga de energía. Si hay sobrecarga, desconecte, luego conecte de nuevo.</li></ul>
El café se prepara lentamente.	<ul style="list-style-type: none"><li>• <b>La cafetera necesita limpieza.</b> Limpie por lo menos cada 30 días para mantener un desempeño adecuado.</li><li>• La cafetera está en los modos 1-4 TAZAS o CARGADO. Presione el botón de Modo de Preparación hasta que no aparezca ninguna luz.</li></ul>

## *Resolviendo Problemas (cont.)*

**PROBLEMA****PROBABLE CAUSA**

El café se desborda de la canastilla.

- Cantidad excesiva de café molido. Vea la Tabla en la página 26.
- Café molido demasiado fino. Ajuste el molino de café a molido por goteo automático.
- Hay más de un filtro de papel en la canastilla de filtro. Pobre calidad del filtro de papel o filtro de papel de tamaño equivocado.

La unidad hace bip continuamente/no hace café y/o VACÍE AGUA aparece en la pantalla.

- No hay agua en el depósito. Transfiera agua del tanque de café al depósito.

El café está frío cuando se dispensa.

- Las Horas para Mantener Caliente seleccionadas han pasado y la cafetera se ha apagado automáticamente. Prepare un nuevo ciclo. Vea "Cómo Preparar Café".



# Hamilton Beach®

Grupo HB PS, S.A. de C.V.  
 Monte Elbruz No. 124 Int. 601  
 Col. Palmitas Polanco  
 México, D.F. C.P. 11560  
 Tel. 01-800-71-16-100

## PÓLIZA DE GARANTÍA

PRODUCTO:		MARCA:	Hamilton Beach: <input type="checkbox"/> Proctor-Silex: <input type="checkbox"/>	MODELO:	
Hamilton Beach/Proctor-Silex cuenta con una Red de Centros de Servicio Autorizada, por favor consulte en la lista anexa el nombre y dirección de los establecimientos en la República Mexicana en donde usted podrá hacer efectiva la garantía, obtener partes, componentes, consumibles y accesorios; así como también obtener servicio para productos fuera de garantía. Para mayor información llame sin costo: <b>Centro de Atención al consumidor: 01 800 71 16 100</b>					
Grupo HB PS, S.A. de C.V. le otorga a partir de la fecha de compra: <b>GARANTÍA DE 1 AÑO.</b>					
<b>COBERTURA</b>					
<ul style="list-style-type: none"> <li>• Esta garantía ampara, todas las piezas y componentes del producto que resulten con defecto de fabricación incluyendo la mano de obra.</li> <li>• Grupo HB PS, S.A. de C.V. se obliga a reemplazar, reparar o reponer, cualquier pieza o componente defectuoso; proporcionar la mano de obra necesaria para su diagnóstico y reparación, todo lo anterior sin costo adicional para el consumidor.</li> <li>• Esta garantía incluye los gastos de transportación del producto que deriven de su cumplimiento dentro de su red de servicio.</li> </ul>					
<b>LIMITACIONES</b>					
<ul style="list-style-type: none"> <li>• Esta garantía no ampara el reemplazo de piezas deterioradas por uso o por desgaste normal, como son: cuchillas, vasos, jarras, filtros, etc.</li> <li>• Grupo HB PS, S.A. de C.V. no se hace responsable por los accidentes producidos a consecuencia de una instalación eléctrica defectuosa, ausencia de toma de tierra, clavija de enchufe en mal estado, etc.</li> </ul>					
<b>EXCEPCIONES</b>					
<p>Esta garantía no será efectiva en los siguientes casos:</p> <ol style="list-style-type: none"> <li>a) Cuando el producto se hubiese utilizado en condiciones distintas a las normales. (Uso industrial, semi-industrial o comercial.)</li> <li>b) Cuando el producto no hubiese sido operado de acuerdo con el instructivo de uso.</li> <li>c) Cuando el producto hubiese sido alterado o reparado por personas no autorizadas por Grupo HB PS, S.A. de C.V. el fabricante nacional, importador o comercializador responsable respectivo.</li> </ol> <p>El consumidor puede solicitar que se haga efectiva la garantía ante la propia casa comercial donde adquirió su producto, siempre y cuando Grupo HB PS, S.A. de C.V. no cuente con talleres de servicio.</p>					

**PROCEDIMIENTO PARA HACER EFECTIVA LA GARANTÍA**

- Para hacer efectiva la garantía no deben exigirse mayores requisitos que la presentación del producto y la póliza correspondiente, debidamente sellada por el establecimiento que lo vendió.
- Para hacer efectiva la garantía, lleve su aparato al Centro de Servicio Autorizado más cercano a su domicilio (consulte la lista anexa).
- Si no existe Centro de Servicio Autorizado en su localidad siga las siguientes instrucciones:
  1. Empaque su producto adecuadamente para que no se dañe durante el traslado.
  2. Anote claramente sus datos y los del Centro de Servicio al que está enviando el producto.
  3. No incluya partes sueltas ni accesorios para evitar su pérdida.
- El tiempo de reparación, en ningún caso será mayor de 30 días naturales contados a partir de la fecha de recepción del producto en nuestros Centros de Servicio Autorizados.
- En caso de que el producto haya sido reparado o sometido a mantenimiento y el mismo presente deficiencias imputables al autor de la reparación o del mantenimiento dentro de los treinta días naturales posteriores a la entrega del producto al consumidor, éste tendrá derecho a que sea reparado o mantenido de nuevo sin costo alguno. Si el plazo de la garantía es superior a los treinta días naturales, se estará a dicho plazo.
- El tiempo que duren las reparaciones efectuadas al amparo de la garantía no es computable dentro del plazo de la misma. Cuando el bien haya sido reparado se iniciará la garantía respecto de las piezas repuestas y continuará con relación al resto. En el caso de reposición del bien deberá renovarse el plazo de la garantía.

DÍA \_\_ MES \_\_ AÑO \_\_

Si desea hacer comentarios o sugerencias con respecto a nuestro servicio o tiene alguna queja derivada de la atención recibida en alguno de nuestros Centros de Servicio Autorizados, por favor dirigirse a:

**GERENCIA INTERNACIONAL DE SERVICIO (DIMALSA)**  
 Prol. Av. La Joya s/n. Esq. Av. San Antonio  
 Col. El Infiernillo C.P. 54878  
 Cuautitlán, Edo de México  
 Tel. (55) 58 99 62 42 • Fax. (55) 58 70 64 42  
 Centro de Atención al consumidor: 01 800 71 16 100

**RED DE CENTROS DE SERVICIO AUTORIZADA GRUPO HB PS, S.A. DE C.V.****Distrito Federal****ELECTRODOMÉSTICOS**

Av. Plutarco Elías Calles No. 1499  
 Zacahuitzco MEXICO 09490 D.F.  
 Tel: 01 55 5235 2323 • Fax: 01 55 5243 1397

**CASA GARCIA**

Av. Patriotismo No. 875-B  
 Mixcoac MEXICO 03910 D.F.  
 Tel: 01 55 5563 8723 • Fax: 01 55 5615 1856

**Nuevo Leon****FERNANDO SEPULVEDA REFACCIONES**

Ruperto Martínez No. 238 Ote.  
 Centro MONTERREY, 64000 N.L.  
 Tel: 01 81 8343 6700 • Fax: 01 81 8344 0486

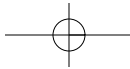
**34****Jalisco**

REF. ECONÓMICAS DE OCCIDENTE,  
 S.A. DE C.V.

Garibaldi No. 1450  
 Ladrón de Guevara  
 GUADALAJARA 44660 Jal.  
 Tel: 01 33 3825 3480 • Fax: 01 33 3826 1914

**Chihuahua****DISTRIBUIDORA TURMIX**

Av. Paseo Triunfo de la Rep. No. 5289 Local 2 A.  
 Int. Hipermart  
 Alamos de San Lorenzo  
 CD. JUAREZ 32340 Chih.  
 Tel: 01 656 617 8030 • Fax: 01 656 617 8030



<b>Modelos:</b>	<b>Tipo:</b>	<b>Características Eléctricas:</b>		
48463	A56	120V~	60Hz	950W
48464	A56	120V~	60Hz	950W
48465	A56	120V~	60Hz	950W

Los números de modelo también pueden estar seguidos del sufijo "MX".