

READ BEFORE USE
LIRE AVANT UTILISATION
LEA ANTES DE USAR

Visit www.hamiltonbeach.com for our complete line of products and Use and Care Guides – as well as delicious recipes, tips, and to register your product online!

Rendez-vous sur www.hamiltonbeach.ca pour notre liste complète de produits et de nos manuels utilisateur – ainsi que nos délicieuses recettes, nos conseils et pour enregistrer votre produit en ligne !

¡Visite www.hamiltonbeach.com.mx para obtener nuestra línea completa de productos y las Guías de Uso y Cuidado, además de deliciosas recetas, consejos y para registrar su producto en línea!

Questions?

Please call us – our friendly associates are ready to help.
USA: 1.800.851.8900

Questions ?

N'hésitez pas à nous appeler – nos associés s'empresseront de vous aider.
CAN : 1.800.267.2826

¿Preguntas?

Por favor llámenos – nuestros amables representantes están listos para ayudar.
MEX: 01 800 71 16 100

Le invitamos a leer cuidadosamente este instructivo antes de usar su aparato.

**Hamilton
Beach®**

Digital Simplicity™ Rice Cooker & Food Steamer
4–20 Cup Food Capacity
Cuiseur de riz et marmite à vapeur Digital Simplicity™
Capacité de 250 ml à 4,75 L
Arrocera y Vaporera Digital Simplicity™
Capacidad para Alimento de 4 a 20 Tazas



English	2
Français	18
Español	35

IMPORTANT SAFEGUARDS

When using electrical appliances, basic safety precautions should always be followed to reduce the risk of fire, electric shock, and/or injury to persons, including the following:

1. Read all instructions.
2. Do not touch hot surfaces. Use handles or knobs. Use pot holders when removing hot containers.
3. To protect against a risk of electrical shock, do not immerse cord, plug, or base in water or other liquid.
4. Close supervision is necessary when any appliance is used by or near children.
5. Unplug from outlet when not in use. Unplug and allow to cool before putting on or taking off parts, and before cleaning.
6. Do not operate any appliance with a damaged cord or plug or after the appliance malfunctions, has been dropped or damaged in any manner. Call our toll-free customer service number for information on examination, repair, or adjustment.
7. The use of accessory attachments not recommended by the appliance manufacturer may cause injuries.
8. Do not use outdoors.
9. Do not let cord hang over edge of table or counter or touch hot surfaces, including the stove.
10. Do not place on or near a hot gas or an electric burner, or in a heated oven.
11. Extreme caution must be used when moving an appliance containing hot oil, food, water, or other hot liquids.
12. To disconnect, make sure the cook switch is pushed up to the "up" position; then remove plug from wall outlet.
13. Do not use appliance for other than intended use.
14. Lift and open cover carefully to avoid scalding, and allow water to drip into the cooker.
15. **CAUTION:** Risk of electric shock. Cook only in removable container.
16. Do not place the unit directly under cabinets when operating as this product produces large amounts of steam. Avoid reaching over the product when operating.

SAVE THESE INSTRUCTIONS!

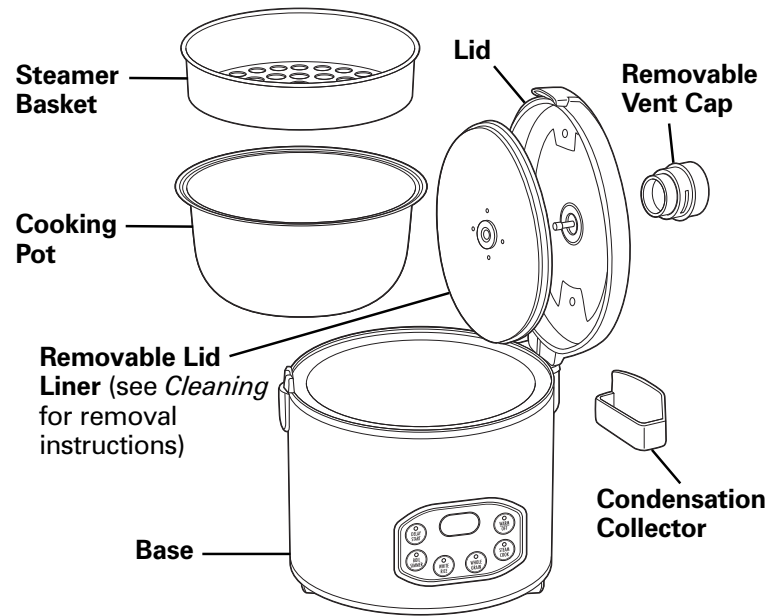
OTHER CONSUMER SAFETY INFORMATION

This appliance is intended for household use only.

WARNING! Shock Hazard: This appliance has a polarized plug (one wide blade) that reduces the risk of electric shock. The plug fits only one way into a polarized outlet. Do not defeat the safety purpose of the plug by modifying the plug in any way or by using an adapter. If the plug does not fit, reverse the plug. If it still does not fit, have an electrician replace the outlet.

The length of the cord used on this appliance was selected to reduce the hazards of becoming tangled in or tripping over a longer cord. If a longer cord is necessary, an approved extension cord may be used. The electrical rating of the extension cord must be equal to or greater than the rating of the appliance. Care must be taken to arrange the extension cord so that it will not drape over the counter-top or tabletop where it can be pulled on by children or accidentally tripped over.

Parts and Features



Optional Accessories on Select Models



Use to delay the start time (up to 15 hours) for any function EXCEPT Steam Cook.



Use with prepackaged rice mixes, soups, stews, beans, oats, hot cereals, grits, or any other food that requires a boil and simmer. This function will boil the contents; then reduce heat to simmer for the selected period of time.



Use to cook white rice for a preprogrammed cook time.



Use to cook brown rice or other grains (any other than white rice) for a preprogrammed cook time.



Use to steam food for a selected steam time. Steaming time can be set from 0 (to just boil water) to 30 minutes.



Press once to use the keep warm function. Press twice to turn the cooker off. Unit automatically shifts to warm function after every function EXCEPT Steam Cook.

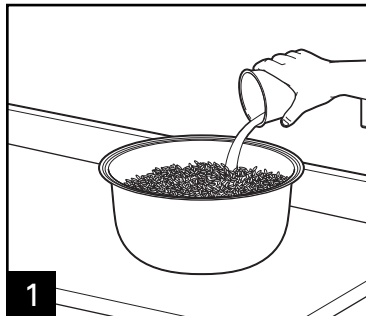
How to Make Rice

⚠ WARNING Electrical Shock Hazard. Cook only in removable cooking pot. Never place water or food directly into the base.

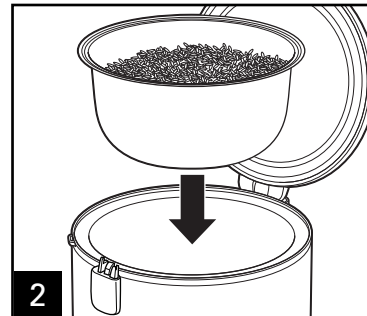
BEFORE FIRST USE: Wash cooking pot following *Cleaning* instructions; dry thoroughly.

PLASTIC RICE-MEASURER INFORMATION

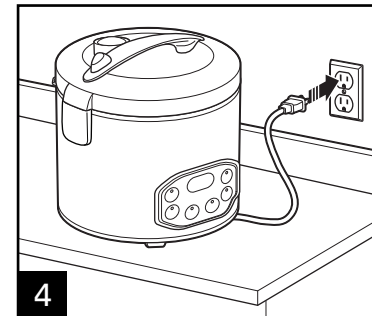
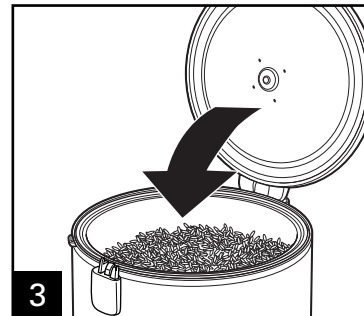
1. Do not throw away the plastic rice-measurer that came with your unit. This is an important tool in using your rice cooker successfully and its size is standard in the rice industry. One rice-measurer cup does not equal one standard U.S. cup (plastic rice-measurer is 6 oz./180 ml or approximately 3/4 U.S. cup). When directed to use "1 cup" for either rice or water, this means use one full, level rice-measurer cup. Most rice package directions are listed in terms of rice-measurer cups.
2. The most important detail when cooking rice is the ratio of rice to water. A good general ratio is two parts water to one part rice (please see illustration below). If for some reason you lose or misplace the plastic rice-measurer, measure BOTH rice and water using a standard U.S. cup—your rice will turn out just as well. To prevent overflow and/or overheating, do not exceed the 10-Cup Line when both rice and water are added to cooking pot.



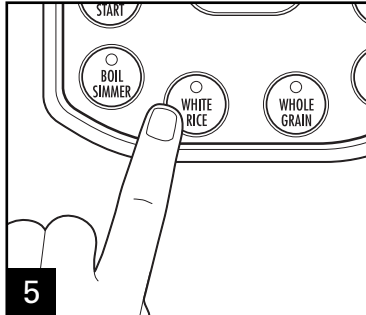
1 Add desired amount of uncooked rice to pot; then fill with water to corresponding water line. Example: For 3 cups of rice, add 3 level rice-measurer cups of rice, and then add water to the "3" line. Do not exceed 10-Cup fill line.



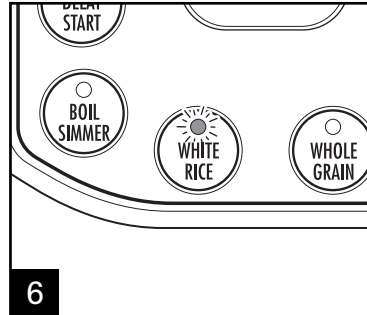
2 Carefully place cooking pot straight down on base. Make sure cooking pot is securely seated by rotating the pot left and right. **NOTE:** Make sure bottom of cooking pot is not bent or warped, or it will not conduct heat correctly.



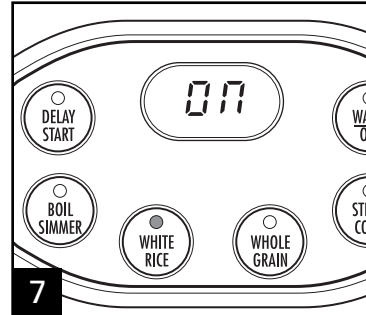
How to Make Rice (cont.)



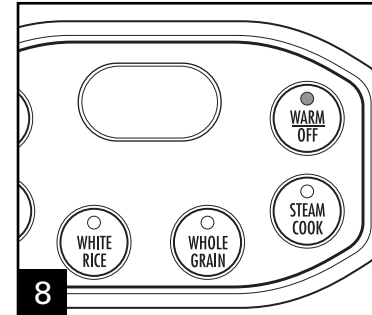
5 Select the type of rice to be cooked: WHITE RICE or WHOLE GRAIN. For packaged rice mixes, see *How to Set Boil/Simmer*.



6 The light will flash for 5 seconds.



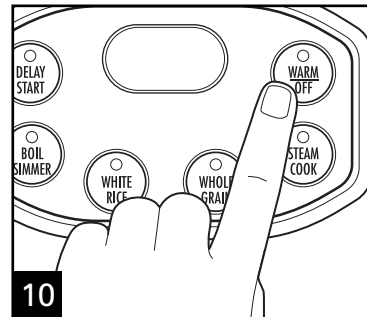
7 ON will appear in the display. Rice will cook for the preset time. **NOTE:** Empty condensation collector as needed during cooking.



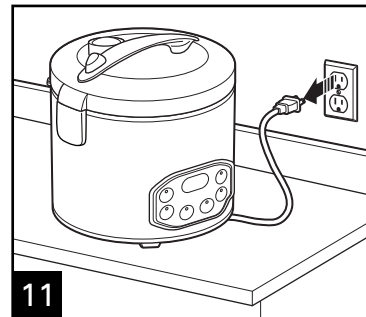
8 When finished cooking, cooker will switch to WARM and light will glow. The unit will keep rice warm until it is turned off or unplugged.



9



10 Press the WARM/OFF pad twice to turn off.



11

WARNING! Burn Hazard. Never use lid handle to carry cooker when contents are hot. Steam from steam vent can cause injury.

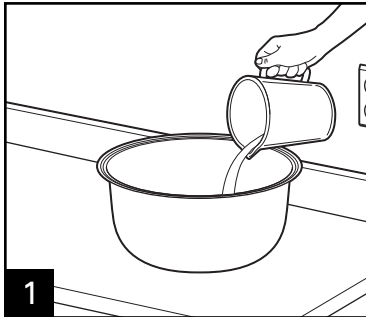
How to Steam Food



WARNING

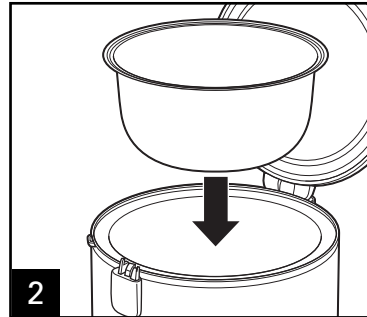
Electrical Shock Hazard. Cook only in removable cooking pot and steamer basket. Never place water or food directly into the base.

BEFORE FIRST USE: Wash cooking pot following *Cleaning* instructions; dry thoroughly.



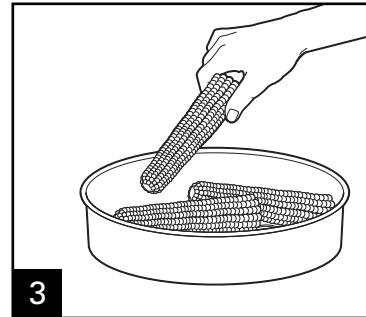
1

Pour desired amount of water in cooking pot. **NOTE:** If pot boils dry, cooker will beep and the remaining time will flash in display. Add more water and press **STEAM COOK** to continue steaming cycle or press the **WARM/OFF** pad twice to turn off.

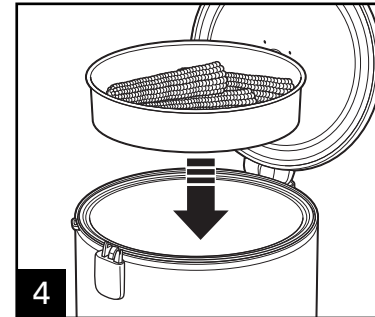


2

Carefully place cooking pot straight down on base. Make sure cooking pot is securely seated by rotating the pot left and right. **NOTE:** Make sure bottom of cooking pot is not bent or warped, or it will not conduct heat correctly. Place food in steamer basket.

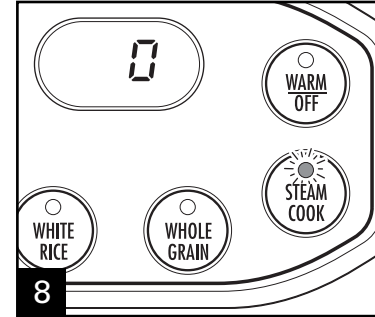
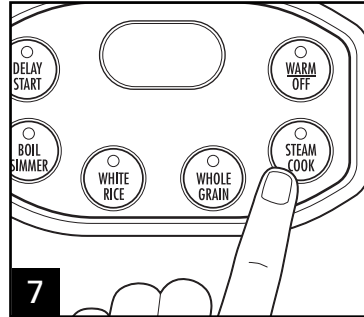
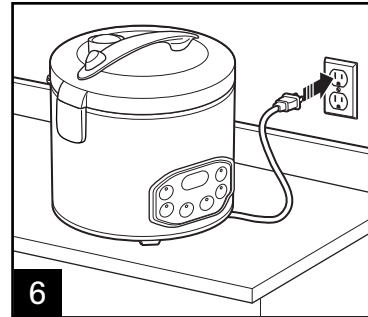
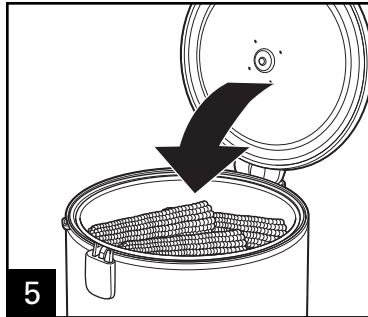


3

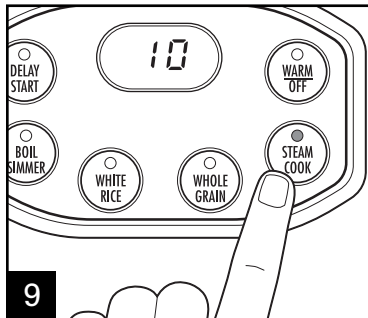


4

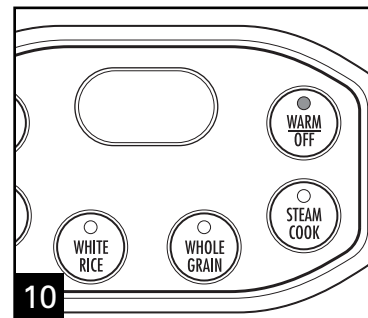
How to Steam Food (cont.)



Press the STEAM COOK pad.

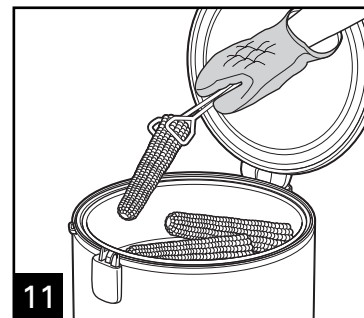


Continue to press STEAM COOK pad to set the cook time.

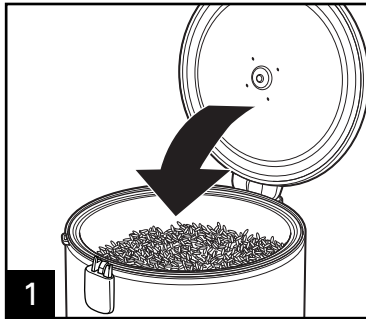


When finished cooking, cooker will switch to OFF.

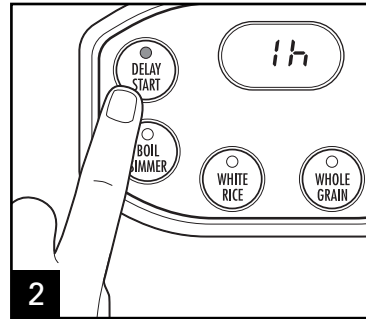
WARNING! Burn Hazard. Never use lid handle to carry cooker when contents are hot. Steam from steam vent can cause injury.



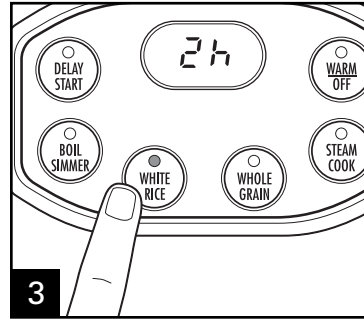
How to Set Delay Start Time



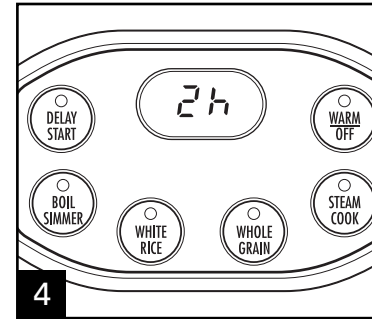
Place water in cooking pot and food in steamer basket. See *How to Steam Food*.



Press DELAY START pad. The display will flash 1 hour as the default delay time. Continue to press DELAY START button to set delay time.



Press a function button and to set cooking time. See *How to Steam Food* for more information. **NOTE:** DELAY START does not work with the STEAM COOK function.



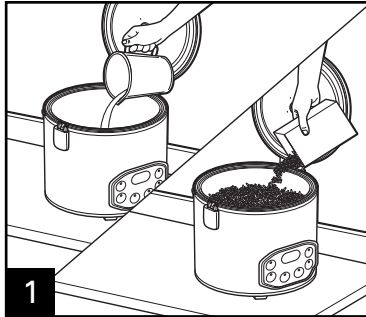
The display will flash and then begin counting down the set delay time.

NOTES:

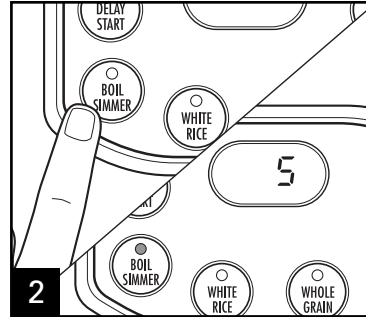
- Cooking/steaming will begin once the unit has completed the delay time countdown.
- This function is ideal for soaking and cooking dried beans.

How to Set Boil/Simmer

⚠ WARNING Electrical Shock Hazard. Cook only in removable cooking pot and steamer basket. Never place water or food directly into the base.
BEFORE FIRST USE: Wash cooking pot following *Cleaning* instructions; dry thoroughly.

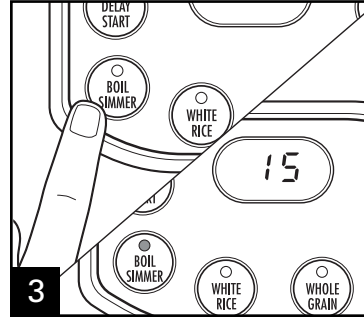


1 Place water and desired contents into cooking pot.

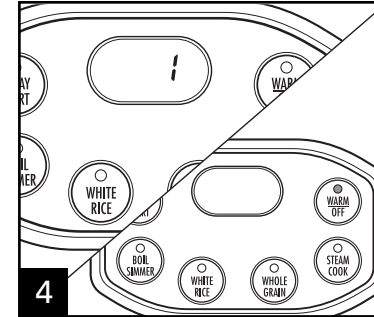


2 Press BOIL/SIMMER pad. "5" will appear in the display.

NOTE: The simmer time can be set from 5–90 minutes in "minute increments," and up to 5 hours in "hour increments."



3 Continue to press BOIL/SIMMER pad until desired amount of "simmer" time is selected. The cooker will bring the contents to a boil and then simmer for the selected amount of time.



4 The display will begin counting down the simmer time AFTER a boil has been reached. After simmer time is complete, the cooker will automatically switch to WARM.

WARNING! Burn Hazard. Never use lid handle to carry cooker when contents are hot. Steam from steam vent can cause injury.

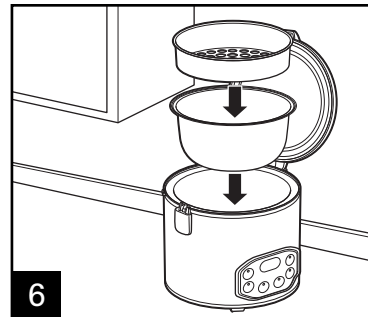
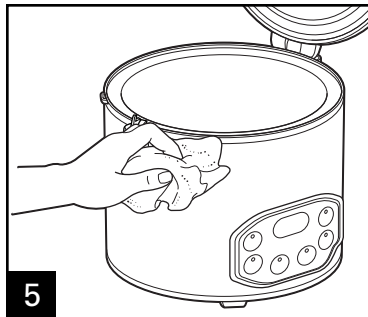
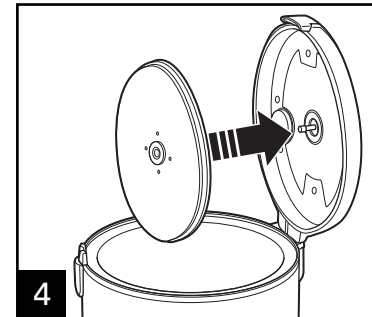
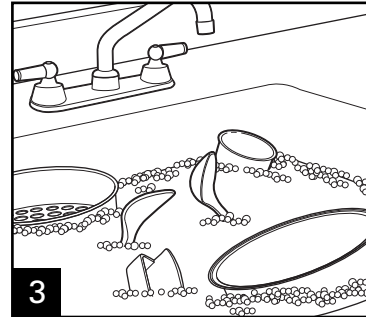
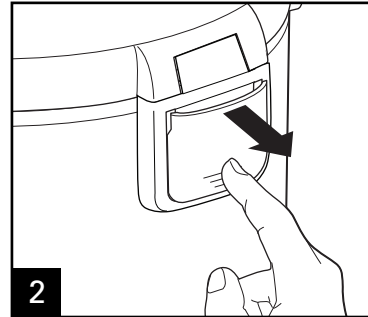
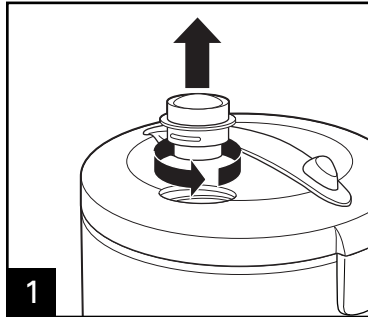
Cleaning



WARNING

Electrical Shock Hazard.

Do not immerse base, cord, or plug in water or other liquid.



DISHWASHER-SAFE

NOTE: Ladle is an optional accessory on select models.

Rice Cooking Chart and Tips

Rice Cooker Cooking Time (approximate). Rice cooker will switch to WARM after cooking time, indicating rice is cooked.
Serving Size = 3/4 cup (180 g)

TYPE OF RICE	SETTING	AMOUNT OF UNCOOKED RICE	AMOUNT OF WATER	COOK TIME	SERVES
White					
Min. Amount	White	2 cups (360 ml)	Fill pot to "2" line	15–25 minutes	2–3
Max. Amount	Rice	10 cups (1.8 L)	Fill pot to "10" line	30–45 minutes	10–12
Brown					
Min. Amount	Whole	2 cups (360 ml)	Fill pot to "2" line	25–35 minutes	2–3
Max. Amount	Grain	10 cups (1.8 L)	Fill pot to "10" line	40–55 minutes	10–12

- Stir prepackaged, boxed rice mixes at least once during cooking; otherwise, spices may stick to the bottom of the cooking pot. For best results, unplug unit when finished cooking this type of rice. Do not "keep warm."
- Rinsing rice will sometimes increase bubbling during cooking. When cooking a half pot or less of rice, minimize bubbling/overflow by reducing water by about one-third.
- Allowing rice to "rest" for approximately 5–10 minutes after cooking will yield better-textured rice.
- Give rice a flavor boost by substituting an equal amount chicken/beef/vegetable broth for water.
- Note that the cook times listed here are approximate and for reference only. You do not need to enter cooking times when using the WHITE RICE or WHOLE GRAIN functions since the unit knows when the food is finished and will adjust cooking time accordingly.

Vegetable Steaming Chart and Tips

TYPE OF VEGETABLE	SETTING	AMOUNT OF WATER	COOK TIME
Softer Vegetables (ex. zucchini, squash)	Steam Cook	Fill pot to "2" line	4–7 minutes
Firmer Vegetables (ex. broccoli, corn on the cob, carrots)	Steam Cook	Fill pot to "2" line	7–15 minutes

- The more vegetables added to the steamer basket, the longer the steam time should be.
- Smaller pieces of vegetables will steam faster than larger pieces.
- Give vegetables a flavor boost by substituting an equal amount of chicken/beef/vegetable broth for water.
- Note that the steam times listed here are approximate and for reference only.

Recipes

Dried Beans

1 pound (450 g) dried beans (any variety)
8 cups (2 L) water
1/8 teaspoon (0.65 ml) baking soda
1 medium onion, quartered
1 tablespoon (15 ml) olive oil
Salt and pepper to taste

Sort beans by removing any pebbles or stems. Place beans in colander and rinse well. Place beans into cooking pot. Add water, baking soda, onion, and olive oil.

Set Simplicity Cooker: Delay Start (at least 6 hours or overnight)
Boil/Simmer: 1 1/2 hours

Season with salt and pepper to taste

Servings: 12

Lentil Soup

2 tablespoons (30 ml) olive oil
1 cup (250 ml) carrot, finely chopped
1 cup (250 ml) celery, finely chopped
2 teaspoons (10 ml) kosher salt
1 (16-ounce/450-g) bag lentils, picked and rinsed
1 (14.5-ounce/411-g) can fire-roasted tomatoes
2 quarts (2 L) chicken or vegetable broth
1/2 teaspoon (2.5 ml) ground coriander
1/2 teaspoon (2.5 ml) ground cumin

Rinse lentils. Place all ingredients in cooking pot; stir gently to combine.

Set Simplicity Cooker: Boil/Simmer: 35 minutes

Season with additional salt and pepper to taste.

Servings: 6–8

Recipes (cont.)

Tex-Mex Rice

3 cups (540 ml) water
1/4 cup (60 ml) chopped cilantro
2 jalapeño peppers, seeded
3 cups (540 ml) white long-grain rice
4 ears corn, cut from cob
1/8 teaspoon (0.65 ml) ground cumin
24-ounce (709-ml) jar of salsa

Place 3 cups (540 ml) water, cilantro, and peppers into blender. Process until all ingredients are well-chopped. Place mixture from blender and remaining ingredients into cooking pot.

Set Simplicity Cooker: White rice

Servings: 6

Overnight Oatmeal

2 cups (500 ml) old-fashioned oatmeal
4 cups (1 L) water
1/2 cup (125 ml) dried apples, chopped
Dash salt
1/4 teaspoon (1.25 ml) cinnamon
Sugar or sweetener, to taste
2 tablespoons (30 ml) butter, optional

Place oatmeal, water, dried apples, salt, and cinnamon into cooking pot.

Set Simplicity Cooker: Delay Start (at least 6 hours or overnight)
Boil/Simmer: 5 minutes

Optional: Stir in sugar and butter.

NOTE: This recipe may be made immediately (without using delay option), if desired.

Servings: 4

Recipes *(cont.)*

Steamed Salmon with Brown Rice

2 salmon fillets (wild Alaskan, 3–4 ounces/85–113 g each)
2 teaspoons (10 ml) ground ginger
3 tablespoons (45 ml) low-sodium soy sauce
1 garlic clove, minced
2 teaspoons (10 ml) dark brown sugar
1/2 teaspoon (2.5 ml) chili flakes
1 green onion or shallot, sliced
Salt and pepper, to taste
Brown rice (uncooked)

Place steamer basket on plate (to catch any drippings). Mix ginger, soy sauce, garlic, dark brown sugar, and chili flakes. Rub fish fillets with mixture and place in refrigerator to marinate for approximately 30 minutes.

Measure brown rice according to desired servings/package directions. Fill cooking pot to corresponding water line (see Rice Chart for additional information). Chicken or vegetable stock/broth may also be substituted for water.

Set Simplicity Cooker: Whole Grain—after approximately 30–35 minutes, lift cover and add steamer basket with salmon fillets.

Cook an additional 8–10 minutes or until salmon flakes easily with a fork. Serve salmon over rice and sprinkle with sliced green onion.

Servings: 2

Steamed Shrimp with Vegetables

1 pound (450 g) large frozen shrimp
1 cup (250 ml) sugar snap peas
3/4 to 1 cup (175 to 250 ml) red bell pepper, sliced
1/2 to 3/4 cup (125 to 175 ml) onion, sliced
1 cup (250 ml) chopped pineapple (in juice)
1 (12-ounce/354-ml) bottle teriyaki sauce (or other desired sauce)
White rice (uncooked)

Place desired amount of white rice into cooking pot. Fill cooking pot with water to corresponding water line.

Set Simplicity Cooker: White Rice

While rice is cooking, chop vegetables and thaw shrimp under cold running water. After approximately 30–35 minutes, place shrimp and vegetables into steamer basket and place basket into cooker.

Cook approximately 10 minutes or until shrimp are opaque and veggies slightly tender. When cooking cycle is completed, toss shrimp, vegetables, pineapple, and rice with teriyaki sauce and serve.

Servings: 4

Recipes (cont.)

Rice Pudding with Peaches and Apples

4 rice-measurer cups white or jasmine rice
(fill cooking pot to "4" line)
5 cups (1.25 L) 1% or skim milk
1 1/2 teaspoons (7.5 ml) kosher salt
2 1/2 teaspoons (12.5 ml) ground cinnamon
1 1/2 teaspoons (7.5 ml) vanilla
1/2 teaspoon (2.5 ml) almond extract
3/4 cup (175 ml) light brown sugar
1/2 cup (125 ml) sugar
3/4 cup (175 ml) dried peaches
3/4 cup (175 ml) dried apples

Place rice into cooking pot first; then add liquids and remaining ingredients.

Set Simplicity Cooker: White Rice

Add additional milk when finished cooking to achieve desired pudding consistency.

NOTE: Any dried fruit may be substituted. Add nuts (walnuts, pecans, etc.) if desired.

Servings: 8–10

Macaroni and Cheese

1 box elbow macaroni (1-lb. [450 g] box)
3 1/2 cups (875 ml) low-sodium chicken broth
1 1/3 cups (330 ml) half and half (regular half and half)
1/2 cup (125 ml) fat-free half and half
1/2 cup (125 ml) milk (any kind—whole, skim, etc.)
2 1/2 cups (625 ml) shredded cheddar cheese
3 tablespoons (45 ml) butter
1/4 teaspoon (1.25 ml) black pepper
1 teaspoon (5 ml) salt
1/4 teaspoon (1.25 ml) cayenne pepper

Place all ingredients into the cooking pot and stir lightly to combine using a nonstick spoon (not metal since it will scratch the cooking pot).

Set Simplicity Cooker: Boil/Simmer: 7 minutes

NOTE: Once the unit switches to Warm, let mixture sit for approximately 10 minutes; then stir and let sit for another 5–10 minutes. The liquid will continue to absorb.

Servings: 8–10

Troubleshooting

PROBLEM**PROBABLE CAUSE**

Cooker doesn't turn on.

- Cooker is not plugged in. Make sure rice cooker is plugged into a properly operating electrical outlet.

Rice is not cooked.

- Not enough water/cooking liquid. Follow package directions or see Rice Cooking Chart for more information.
- Carefully place cooking pot straight down in base. Make sure cooking pot is securely seated by rotating the pot left and right. **NOTE:** If cooking pot is bent or warped, it will not seat properly in base and, therefore, will not conduct heat correctly. To replace cooking pot, call the toll-free Customer Assistance number listed on the cover of this guide.

Rice is mushy.

- Too much liquid added to cooking pot. Reduce liquid.

Rice cooker starts to "beep" during STEAM COOK.

- Cooking pot has boiled dry. Add more water and press STEAM COOK to continue steaming or press OFF.

Limited Warranty

This warranty applies to products purchased in the U.S. and Canada. This is the only express warranty for this product and is in lieu of any other warranty or condition.

This product is warranted to be free from defects in material and workmanship for a period of one (1) year from the date of original purchase. During this period, your exclusive remedy is repair or replacement of this product or any component found to be defective, at our option; however, you are responsible for all costs associated with returning the product to us and our returning a product or component under this warranty to you. If the product or component is no longer available, we will replace with a similar one of equal or greater value.

This warranty does not cover glass, filters, wear from normal use, use not in conformity with the printed directions, or damage to the product resulting from accident, alteration, abuse, or misuse. This warranty extends only to the original consumer purchaser or gift recipient. Keep the original sales receipt, as proof of purchase is required to make a warranty claim. This warranty is void if the product is used for other than single-family household use.

We exclude all claims for special, incidental, and consequential damages caused by breach of express or implied warranty. All liability is limited to the amount of the purchase price. **Every implied warranty, including any statutory warranty or condition of merchantability or fitness for a particular purpose, is disclaimed except to the extent prohibited by law, in which case such warranty or condition is limited to the duration of this written warranty.** This warranty gives you specific legal rights. You may have other legal rights that vary depending on where you live. Some states or provinces do not allow limitations on implied warranties or special, incidental, or consequential damages, so the foregoing limitations may not apply to you.

To make a warranty claim, do not return this appliance to the store. Please call 1.800.851.8900 in the U.S. or 1.800.267.2826 in Canada or visit hamiltonbeach.com in the U.S. or hamiltonbeach.ca in Canada. For faster service, locate the model, type, and series numbers on your appliance.

CONSEILS DE SÉCURITÉ IMPORTANTS

Au moment d'utiliser des appareils électriques, on doit toujours respecter les règles de sécurité élémentaires afin de minimiser les risques d'incendie, d'électrocution et des blessures, notamment celles qui suivent :

1. Lire toutes les instructions.
2. Ne pas toucher les surfaces chaudes. Utiliser les poignées ou les boutons. Utiliser des sous-plats pour déposer les récipients chauds.
3. Pour éviter les risques d'électrocution, ne pas immerger le cordon, la fiche ou la base dans l'eau ou tout autre liquide.
4. L'utilisation de tout appareil par ou près des enfants exige une surveillance accrue.
5. Débrancher la fiche de la prise murale dès la fin de l'utilisation. Laisser refroidir l'appareil avant d'installer ou de retirer des pièces et avant de le nettoyer.
6. Ne pas faire fonctionner aucun appareil dont le cordon ou la fiche est endommagé ou suite à un dysfonctionnement de l'appareil, s'il est tombé ou endommagé de quelque manière que ce soit. Appeler notre ligne sans frais du Service à la clientèle pour plus d'information à propos d'une vérification, réparation ou réglage.
7. L'utilisation d'accessoires non recommandés par le fabricant d'électroménagers peut causer des blessures.
8. Ne pas utiliser à l'extérieur.
9. Ne pas laisser pendre le cordon de la table ou du comptoir et éviter que le cordon n'entre en contact avec des surfaces chaudes, y compris la cuisinière.
10. Ne pas placer sur ou près de surfaces chaudes comme un brûleur électrique ou à gaz ou un four chaud.
11. Exercer une très grande prudence lors du déplacement d'un appareil contenant de l'huile et des aliments chauds, de l'eau ou tout autre liquide chaud.
12. Pour débrancher, s'assurer que la commande de cuisson est relevée puis débrancher de la prise murale.
13. N'utiliser cet appareil que pour les fonctions auxquelles il est destiné.
14. Soulever et ouvrir le couvercle avec précaution pour éviter l'échaudage et permettre l'égouttement de l'eau dans le cuiseur.
15. **MISE EN GARDE** : Risque d'électrocution. Cuire uniquement dans le pot de cuisson amovible.
16. Ne pas placer l'appareil directement sous les armoires pendant le fonctionnement, car cet appareil dégage une grande quantité de vapeur. Éviter de tendre la main pour atteindre l'appareil pendant le fonctionnement.

CONSERVER CES INSTRUCTIONS !

AUTRES CONSIGNES DE SÉCURITÉ POUR LE CONSOMMATEUR

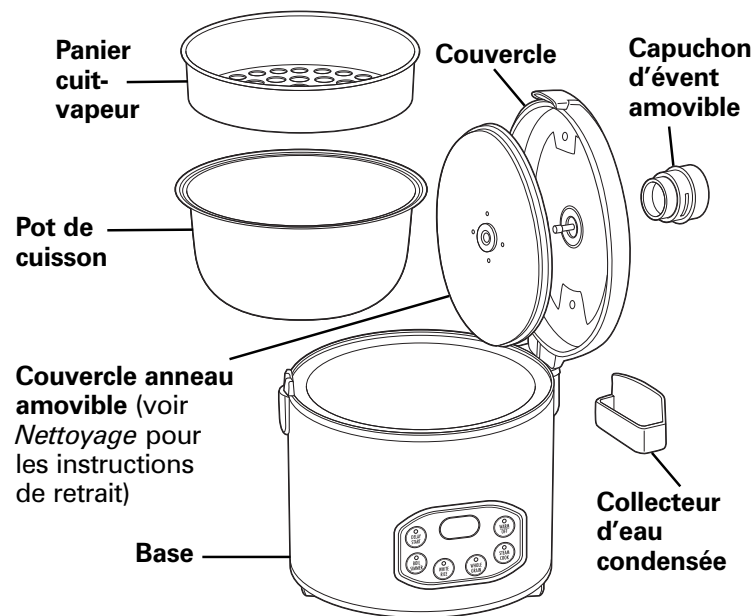
Cet appareil est destiné à l'utilisation domestique seulement.

AVERTISSEMENT ! Danger d'électrocution : Cet appareil électroménager possède une fiche polarisée (une broche large) qui réduit le danger d'électrocution. Cette fiche n'entre que dans un seul sens dans une prise polarisée. Ne contrecarrez pas l'objectif sécuritaire de cette fiche en la modifiant de quelque manière que ce soit ou en utilisant un adaptateur. Si la fiche n'entre pas bien, retournez-la. Si elle continue à ne pas bien entrer, demandez à un électricien de remplacer la prise.

18

La longueur du cordon de cet appareil a été choisie de façon à ce que l'on ne risque pas de trébucher dessus. Si un cordon plus long est nécessaire, utiliser une rallonge appropriée. Le calibrage de la rallonge doit être le même que celui du grille-pain ou supérieur. Lorsqu'on utilise une rallonge, s'assurer qu'elle ne traverse pas la zone de travail, que des enfants ne puissent pas tirer dessus par inadvertance et qu'on ne puisse pas trébucher dessus.

Pièces et caractéristiques



Accessoires facultatifs disponible sur certains modèles



Spatule à riz



Mesureur de riz en plastique
180 ml (6 oz.)



Panier



Utiliser pour différer la mise en marche (jusqu'à 15 heures) de toutes les fonctions SAUF Steam Cook (cuisson à la vapeur).



Utiliser pour les emballages préparés de riz, soupes, ragoûts, fèves, avoines, céréales chaudes, gruaux ou tout autre aliment préparé à bouillir ou mijoter. Cette fonction amènera à ébullition les ingrédients puis passera au mode de mijotage pour la durée déterminée.



Utiliser pour cuire le riz blanc selon une durée de cuisson préprogrammée.



Utiliser pour cuire le riz brun ou autres grains (autre que le riz blanc) selon une durée de cuisson préprogrammée.



Utiliser pour cuire les aliments à la vapeur selon une durée de cuisson à la vapeur choisie. La durée de cuisson à la vapeur peut être réglée de 0 (uniquement pour bouillir l'eau) à 30 minutes.



Appuyer une fois pour utiliser la fonction de garde au chaud.

Appuyer deux fois pour mettre le cuiseur hors tension.

L'appareil passe automatiquement à la fonction garde au chaud dès la fin de toute fonction SAUF Steam Cook (cuisson à la vapeur).

Cuisson du riz

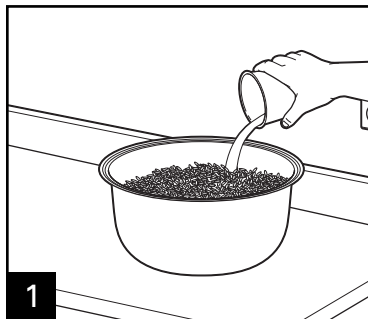
⚠ AVERTISSEMENT

Risque d'électrocution. Cuire les aliments uniquement dans le pot de cuisson amovible. Ne jamais verser d'eau ou déposer des aliments directement dans la base.

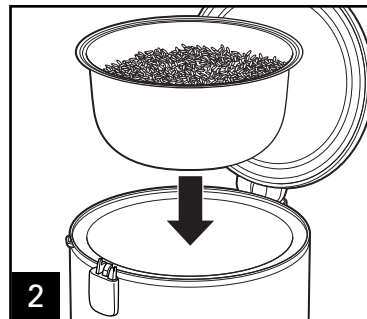
AVANT LA PREMIÈRE UTILISATION : Laver le pot de cuisson en suivant les instructions au chapitre *Nettoyage* ; assécher complètement.

INFORMATION À PROPOS DU MESUREUR DE RIZ EN PLASTIQUE

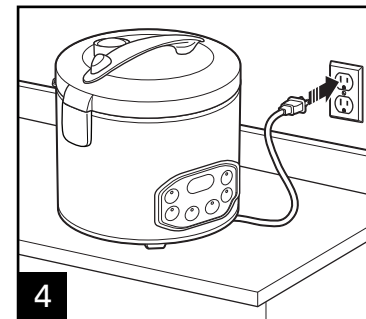
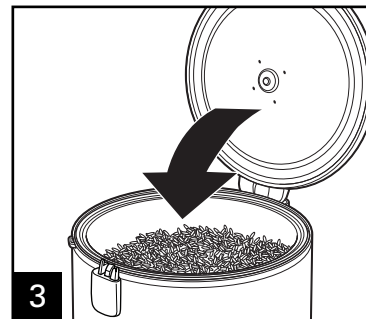
1. Ne pas jeter le mesureur en plastique pour le riz qui accompagne votre appareil. Le mesureur est un accessoire important pour l'utilisation optimale du cuiseur de riz grâce à son format conforme à l'industrie du riz. Une tasse du mesureur de riz n'est pas équivalente à une tasse à mesurer basée sur le système de mesures américain (le mesureur de riz en plastique contient environ 180 ml (6 oz.) ou 3/4 de tasse). Lorsque la quantité à utiliser est d'une tasse de riz ou d'eau, ceci signifie l'utilisation d'une mesure complète et rase contenue dans le mesureur de riz. La plupart des instructions sur les emballages de riz sont indiquées comme étant des tasses équivalentes au mesureur de riz.
2. La proportion de riz et d'eau est un détail important pour la cuisson du riz. Une proportion générale et idéale consiste en deux parties d'eau pour une partie de riz (voir les instructions ci-dessous). Si vous perdez ou égarez le mesureur de riz, mesurer le riz ET l'eau en utilisant une tasse à mesurer traditionnelle—votre riz sera tout aussi bon. Pour éviter le débordement et la surchauffe, ne pas excéder la ligne de 10 tasses au moment d'ajouter le riz et l'eau dans le pot de cuisson.



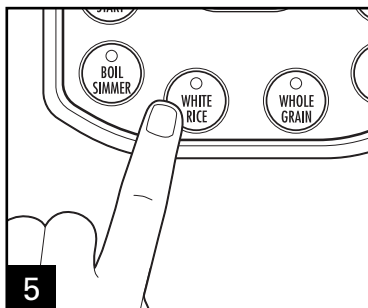
1 Ajouter la quantité désirée de riz non cuit dans le pot; puis remplir avec de l'eau jusqu'à la ligne correspondante. Exemple : pour 3 tasses de riz : ajouter 3 tasses du mesureur de riz puis ajouter de l'eau jusqu'à la ligne « 3 ». Ne pas excéder le niveau de remplissage maximal de 10 tasses.



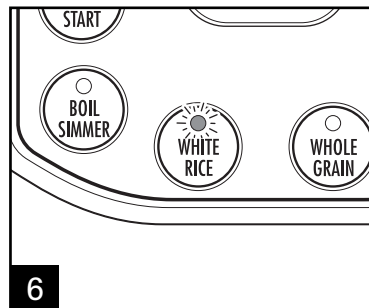
2 Déposer délicatement le pot de cuisson dans la base. S'assurer que le pot de cuisson est solidement ancré en le tournant vers la gauche et vers la droite. **NOTE :** S'assurer que le fond du pot de cuisson n'est pas croché ou tordu, autrement le transfert de chaleur ne sera pas uniforme.



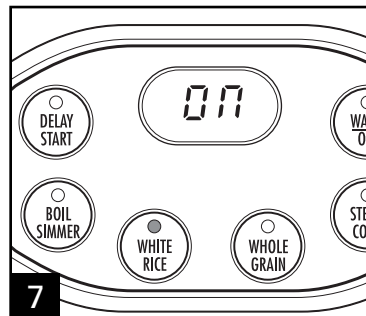
Cuisson du riz (suite)



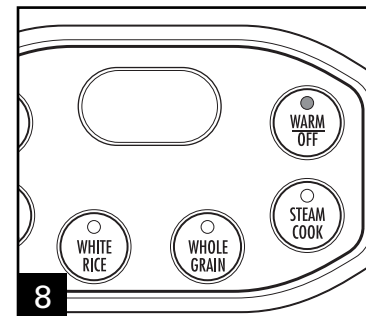
5 Choisir le type de riz à cuire : WHITE RICE (riz blanc) ou WHOLE GRAIN (grains entiers). Pour les mélanges de riz emballés, voir le chapitre *Réglage pour bouillir ou mijoter*.



6 Le témoin clignotera pendant 5 secondes.



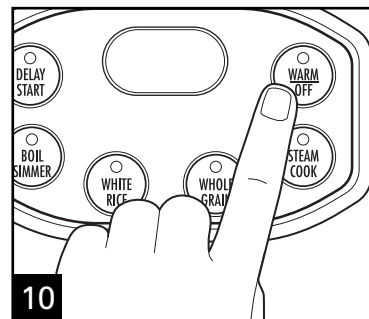
7 Le mot ON (mise en marche) apparaîtra sur l'afficheur. Le riz cuira pendant la durée prééglée. **NOTE** : Vider le collecteur d'eau condensée au besoin pendant la cuisson.



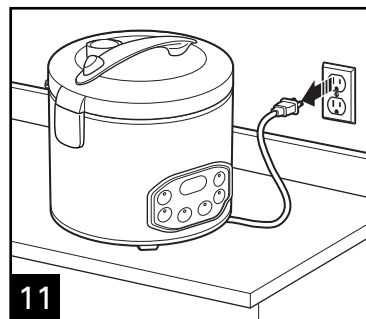
8 Lorsque la cuisson est terminée, le cuiseur passera automatiquement en mode WARM (garde au chaud) et le voyant sera allumé. L'appareil garde le riz au chaud jusqu'à la mise hors tension ou le débranchement.



9



10 Appuyer deux fois sur la touche WARM/OFF (garde au chaud/arrêt) pour mettre l'appareil hors tension.



11

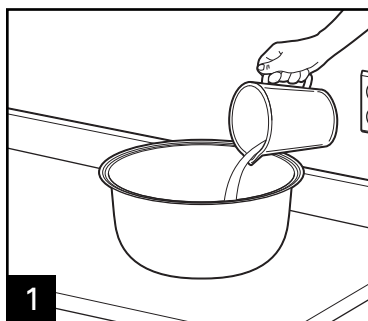
AVERTISSEMENT ! Risque de brûlure.
Ne jamais utiliser la poignée pour transporter le cuiseur contenant des aliments chauds. La vapeur s'échappant de l'évent peut provoquer des blessures.

Cuisson des aliments à la vapeur

⚠ AVERTISSEMENT

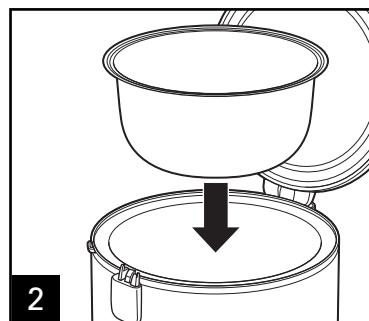
Risque d'électrocution. Cuire les aliments uniquement dans le pot de cuisson amovible et le panier cuit-vapeur. Ne jamais verser d'eau ou déposer des aliments directement dans la base.

AVANT LA PREMIÈRE UTILISATION : Laver le pot de cuisson en suivant les instructions au chapitre *Nettoyage* ; assécher complètement.



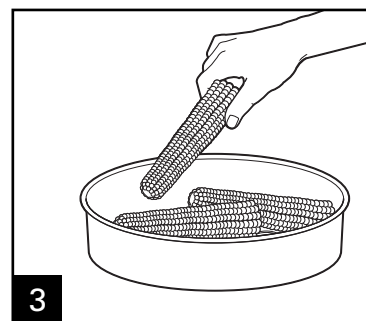
1

Verser la quantité désirée d'eau dans le pot de cuisson. **NOTE :** Le cuit-vapeur émettra un signal sonore si le pot chauffe à vide et la durée résiduelle clignotera sur l'afficheur. Ajouter de l'eau et appuyer sur STEAM COOK (cuisson à la vapeur) pour poursuivre le cycle de cuisson à la vapeur ou appuyer deux fois sur la touche WARM/OFF (garde au chaud/arrêt) pour mettre l'appareil hors tension.

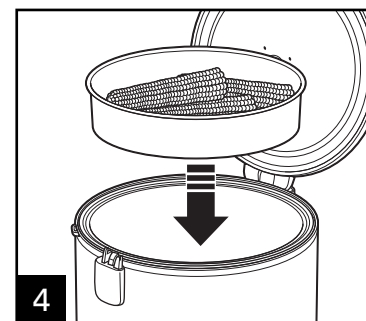


2

Déposer délicatement le pot de cuisson dans la base. S'assurer que le pot de cuisson est solidement ancré en le tournant vers la gauche et vers la droite. **NOTE :** S'assurer que le fond du pot de cuisson n'est pas croché ou tordu, autrement le transfert de chaleur ne sera pas uniforme. Déposer les aliments dans le panier cuit-vapeur.

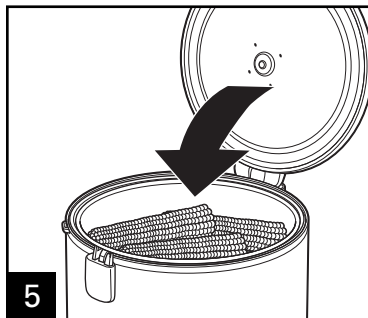


3

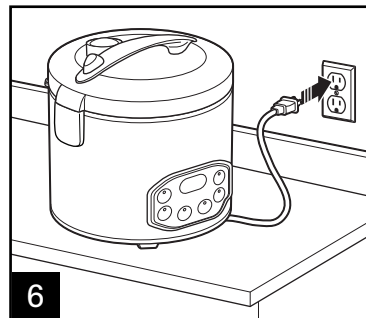


4

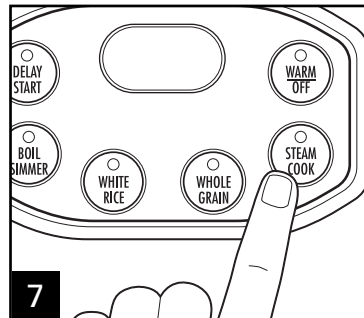
Cuisson des aliments à la vapeur (suite)



5

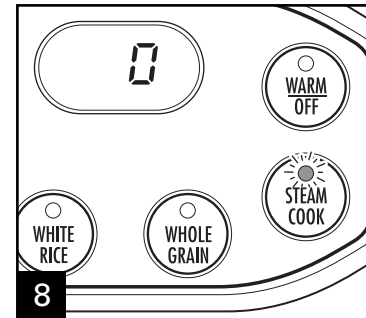


6

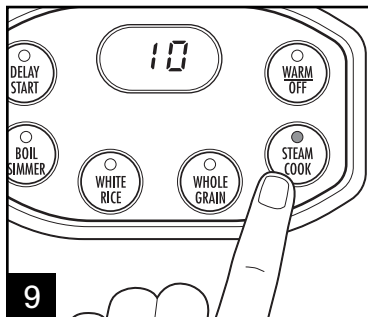


7

Appuyer sur la touche STEAM COOK (cuisson à la vapeur).

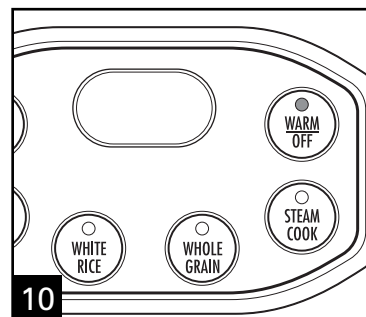


8



9

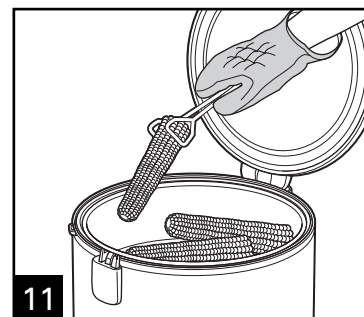
Maintenir la touche STEAM COOK (cuisson à la vapeur) enfoncée pour régler la durée de cuisson.



10

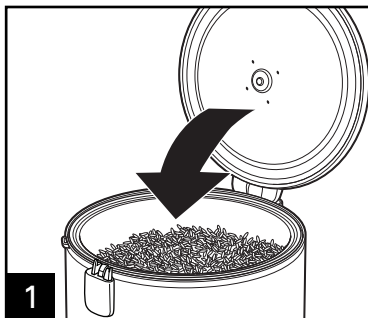
Lorsque la cuisson est terminée, le cuiseur passera automatiquement en mode OFF (arrêt).

AVERTISSEMENT ! Risque de brûlure. Ne jamais utiliser la poignée pour transporter le cuiseur contenant des aliments chauds. La vapeur s'échappant de l'évent peut provoquer des blessures.

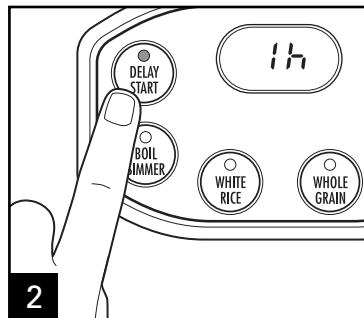


11

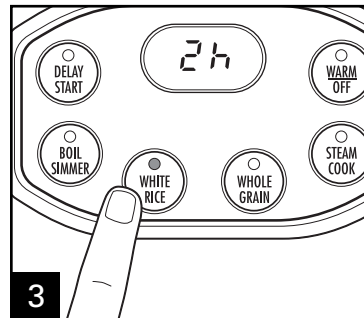
Réglage de la minuterie de mise en marche différée



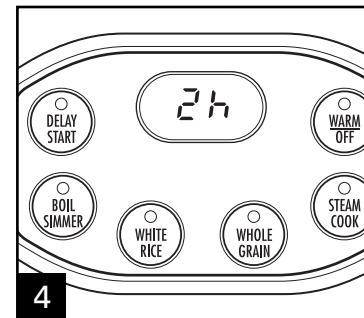
1 Verser l'eau dans le pot de cuisson et les aliments dans le panier cuit-vapeur. Voir *Cuisson des aliments à la vapeur*.



2 Appuyer sur DELAY START (mise en marche différée). Le temps de mise en marche différée par défaut d'une heure clignotera sur l'afficheur. Maintenir le bouton DELAY START (mise en marche différée) enfoncé pour régler le temps de mise en marche différée.



3 Appuyer sur une touche de fonction puis régler la durée de cuisson. Voir le chapitre *Cuisson des aliments à la vapeur* pour plus d'information. **NOTE** : DELAY START (mise en marche différée) ne s'active pas lorsque la touche STEAM COOK (cuisson à la vapeur) est utilisée.



4 L'afficheur clignotera puis commencera le compte à rebours de la mise en marche différée réglée.

NOTES :

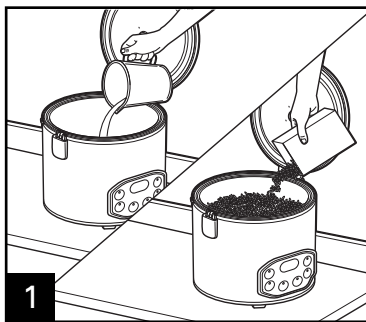
- La cuisson et la cuisson à la vapeur commenceront dès que l'appareil a atteint le moment de la mise en marche différée.
- Cette fonction est idéale pour tremper et cuisiner à séché des haricots.

Réglage pour bouillir ou mijoter

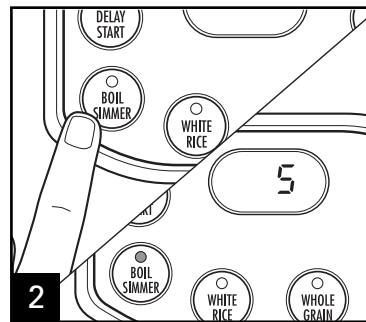
⚠ AVERTISSEMENT

Risque d'électrocution. Cuire les aliments uniquement dans le pot de cuisson amovible et le panier cuit-vapeur. Ne jamais verser d'eau ou déposer des aliments directement dans la base.

AVANT LA PREMIÈRE UTILISATION : Laver le pot de cuisson en suivant les instructions au chapitre *Nettoyage* ; assécher complètement.

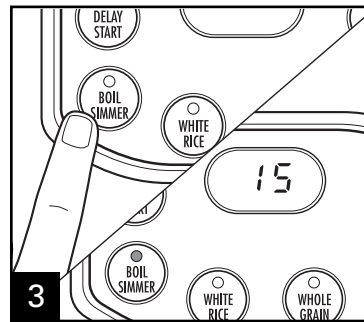


1 Verser l'eau et les ingrédients dans le pot de cuisson.

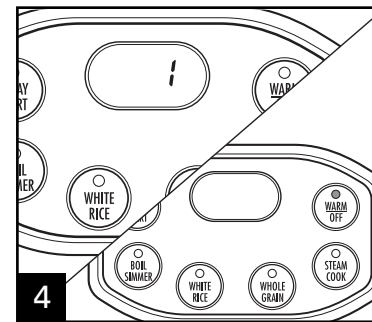


2 Appuyer sur la touche BOIL/SIMMER (bouillir/mijoter). Le chiffre « 5 » apparaîtra à l'afficheur.

NOTE : La durée de mijotage peut être réglée de 5 à 90 minutes par « incréments de minutes » et jusqu'à 5 heures par « incréments en heures ».



3 Maintenir la touche BOIL/SIMMER (bouillir/mijoter) enfoncée jusqu'à ce que la durée de « mijotage » soit atteinte. Le cuiseur portera les ingrédients à ébullition puis les mijotera pour la durée choisie.



4 L'afficheur commencera le compte à rebours de la durée de mijotage APRÈS avoir atteint le point d'ébullition. Dès la fin de la durée de mijotage, le cuiseur passera automatiquement au mode WARM (garde au chaud).

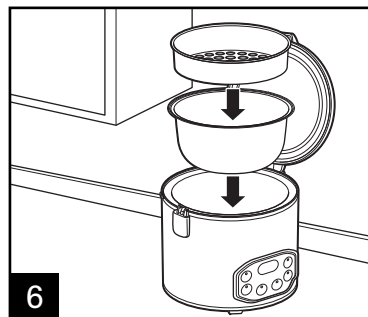
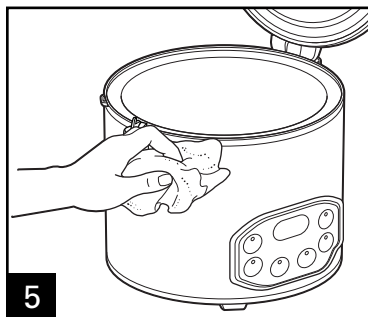
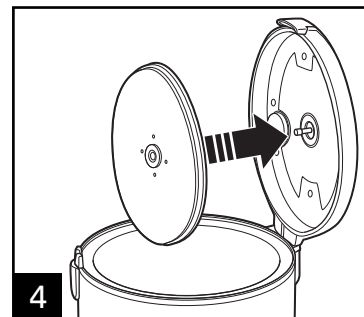
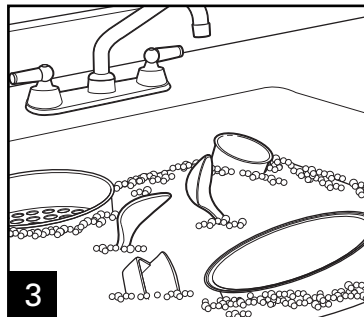
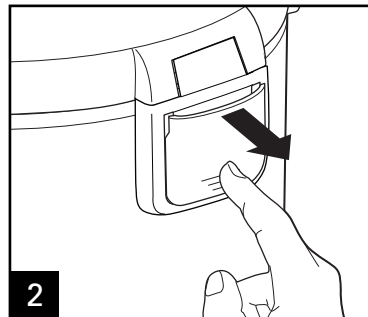
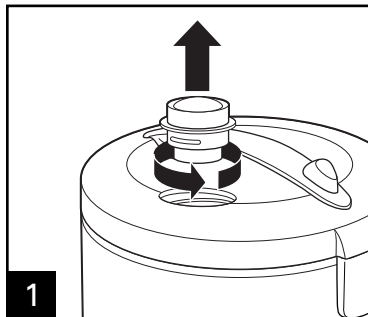
AVERTISSEMENT ! Risque de brûlure. Ne jamais utiliser la poignée pour transporter le cuiseur contenant des aliments chauds. La vapeur s'échappant de l'évent peut provoquer des blessures.

Nettoyage

⚠ AVERTISSEMENT

Risque d'électrocution.

Ne pas immerger la base, le cordon ou la fiche dans l'eau ou tout autre liquide.



NOTE: La louche et un accessoire facultatif disponible sur certains modèles.

L'anneau du couvercle est amovible et peut être lavé à la main ou nettoyé facilement en le plaçant dans le panier supérieur du lave-vaisselle.

Tableau de cuisson du riz et conseils

Durée de cuisson du cuiseur de riz (approximatif). Le cuiseur de riz passera en mode WARM (garde au chaud) à la fin de la cuisson indiquant ainsi que le riz est cuit.

Portion = 180 g (3/4 tasse)

TYPE DE RIZ	RÉGLAGE	QUANTITÉ DE RIZ NON CUIT	QUANTITÉ D'EAU	DURÉE DE CUISSON	PORTIONS
Blanc					
Quantité min.	Riz	2 tasses (360 ml)	Remplir le pot jusqu'à la ligne « 2 »	15 à 25 minutes	2 à 3
Quantité max.	Blanc	10 tasses (1,8 L)	Remplir le pot jusqu'à la ligne « 10 »	30 à 45 minutes	10 à 12
Brown					
Quantité min.	Grains	2 cups (360 ml)	Remplir le pot jusqu'à la ligne « 2 »	25 à 35 minutes	2 à 3
Quantité max.	Entiers	10 cups (1,8 L)	Remplir le pot jusqu'à la ligne « 10 »	40 à 55 minutes	10 à 12

- Mélanger le riz préemballé ou en boîte au moins une fois pendant la cuisson pour éviter que les épices ne collent au fond du pot de cuisson. Pour des résultats optimaux, débrancher l'appareil dès la fin de la cuisson de cette sorte de riz. Ne pas « garder au chaud ».
- Le rinçage du riz peut quelques fois augmenter le bouillonnement pendant la cuisson. Lors de la cuisson d'une portion équivalente à la moitié ou moins du pot de cuisson, le bouillonnement et le débordement peuvent être minimisés en réduisant la quantité d'eau d'un tiers.
- Laisser reposer le riz environ 5 à 10 minutes après la cuisson pour obtenir une texture de riz optimale.
- Ajouter plus de saveur au riz en substituant l'eau à une quantité égale de bouillon de poulet, de bœuf ou de légumes.
- Remarquer que les durées de cuisson indiquées sont approximatives et utilisées comme référence seulement. Les durées de cuisson n'ont pas à être réglées lors de l'utilisation des fonctions WHITE RICE (riz blanc) ou WHOLE GRAIN (grains entiers), car l'appareil « détecte » les aliments cuits et ajustera conformément la durée de cuisson.

Conseils et tableau de cuisson à la vapeur des légumes

TYPE DE LÉGUME	RÉGLAGE	QUANTITÉ D'EAU	DURÉE DE CUISSON
Légumes plus souples (par exemple, courgette, courge)	Cuisson à la vapeur	Remplir le pot jusqu'à la ligne « 2 »	4 à 7 minutes
Légumes plus fermes (par exemple, brocoli, maïs sur épi, carottes)	Cuisson à la vapeur	Remplir le pot jusqu'à la ligne « 2 »	7 à 15 minutes

- Plus il y a de légumes dans le panier cuit-vapeur, plus ils prendront longtemps à cuire.
- Les morceaux plus petits de légumes cuiront plus vite que les plus gros.

- Ajouter plus de saveur aux légumes en substituant l'eau à une quantité égale de bouillon de poulet, de bœuf ou de légumes.
- Remarquer que les durées de cuisson à la vapeur indiquées sont approximatives et utilisées comme référence seulement.

Recettes

Haricots secs

450 g (1 lb) de haricots secs (toutes variétés)
2 L (8 tasses) d'eau
0,65 ml (1/8 cuillère à café) de bicarbonate de soude
1 oignon moyen en quartiers
15 ml (1 cuillère à soupe) d'huile d'olive
Sel et poivre au goût

Trier les haricots pour retirer tous les cailloux ou tiges. Déposer les haricots dans une passoire et bien rincer. Déposer les haricots dans le pot de cuisson. Ajouter l'eau, le bicarbonate de soude, l'oignon et l'huile d'olive.

Réglage du cuiseur *Simplicity* : Delay Start (mise en marche différée) (au moins 6 heures ou toute la nuit)
Boil/Simmer (bouillir/mijoter) :
1 1/2 heure

Assaisonner avec sel et poivre au goût.

Portions : 12

Soupe aux lentilles

30 ml (2 cuillères à soupe) d'huile d'olive
250 ml (1 tasse) de carottes hachées finement
250 ml (1 tasse) de céleri haché finement
10 ml (2 cuillères à café) de sel cachet
1 sac de lentilles de 450 g (16 oz), triées et rincées
1 boîte de 411 g (14,5 oz) de tomates rôties piquantes
2 L (8 tasses) de bouillon de poulet ou de légumes
2,5 ml (1/2 cuillère à café) de coriandre moulue
2,5 ml (1/2 cuillère à café) de cumin moulu

Rincer les lentilles. Déposer tous les ingrédients dans le pot de cuisson; remuer délicatement pour bien mélanger.

Set *Simplicity Cooker*: Boil/Simmer (bouillir/mijoter) : 35 minutes

Ajouter du sel et du poivre au goût.

Portions : 6 à 8

Recettes (suite)

Riz Tex-mex

540 ml (3 tasses) d'eau
60 ml (1/4 de tasse) de coriandre hachée
2 piments Jalapeño, sans les graines
540 ml (3 tasses) de riz blanc à grain long
4 épis de maïs égrenés
0,65 ml (1/8 cuillère à café) de cumin moulu
Pot de salsa de 709 ml (24 oz)

Verser 540 ml d'eau (3 tasses), la coriandre et les piments dans le mélangeur. Bien hacher tous les ingrédients. Verser le mélange du mélangeur et le reste des ingrédients dans le pot de cuisson.

Réglage du cuiseur Simplicity : White Rice (riz blanc)

Portions : 6

Gruau à cuisson lente

500 ml (2 tasses) de gruau à l'ancienne
1 L (4 tasses) d'eau
125 ml (1/2 tasse) de pommes séchées hachées
1 pincée de sel
1,25 ml (1/4 de cuillère à café) de cannelle
Sucre ou édulcorant au goût
30 ml (2 cuillères à soupe) de beurre, facultatif

Verser le gruau, l'eau, les pommes séchées, le sel et la cannelle dans le pot de cuisson.

Réglage du cuiseur Simplicity : Delay Start (mise en marche différée) (au moins 6 heures ou toute la nuit)
Boil/Simmer (bouillir/mijoter) :
5 minutes

Facultatif : Mélanger avec du sucre et du beurre.

NOTE : Cette recette peut être préparée immédiatement (sans utiliser l'option de mise en marche différée), si désirée.

Portions : 4

Recettes (suite)

Saumon à la vapeur avec riz brun

2 filets de saumon (sauvage de l'Alaska de 85 à 113 g chacun
(3 à 4 oz))

10 ml (2 cuillères à café) de gingembre moulu

45 ml (3 cuillères à soupe) de sauce soya réduite en sel

1 gousse d'ail émincée

10 ml (2 cuillères à café) de cassonade

2,5 ml (1/2 cuillère à café) de flocons de chile

1 oignon vert ou échalotte, en tranches

Sel et poivre au goût

Riz brun (non cuit)

Placer le panier cuit-vapeur sur la plaque (pour récupérer tout déversement). Mélanger le gingembre, la sauce soja, l'ail, la cassonade foncée et les flocons de piments. Badigeonner les filets de poisson de cette préparation et faire mariner au réfrigérateur pendant environ 30 minutes.

Mesurer le riz brun en suivant les instructions sur l'emballage selon la quantité de portions désirées. Remplir le pot de cuisson avec de l'eau jusqu'à la ligne correspondante (voir Tableau de riz pour plus d'information). Fond ou bouillon de poulet ou de légumes peuvent également remplacer l'eau.

Réglage du cuiseur *Simplicity* : Whole grain (grains entiers) — après environ 30 à 35 minutes, soulever le couvercle et déposer le panier cuit-vapeur contenant les filets de saumon.

Cuire 8 à 10 minutes de plus ou jusqu'à ce que le poisson se détache facilement à la fourchette. Déposer le saumon sur le riz et parsemez d'oignon vert tranché.

Portions : 2

Crevettes à la vapeur et légumes

450 g (1 lb) de grosses crevettes surgelées

250 ml (1 tasse) de pois « Sugar Snap ».

175 à 250 ml (3/4 à 1 tasse) de poivron rouge en tranches

125 à 175 ml (1/2 à 3/4 tasse) d'oignons en tranches

250 ml (1 tasse) d'ananas émincés (dans du jus)

1 bouteille de 354 ml (12 oz) de sauce teriyaki dans le pot de cuisson
Riz blanc (non cuit)

Verser la quantité désirée de riz blanc dans le pot de cuisson. Remplir le pot de cuisson avec de l'eau jusqu'à la ligne correspondante.

Réglage du cuiseur *Simplicity* : White Rice (riz blanc)

Durant la cuisson du riz, couper des légumes et décongeler les crevettes sous l'eau froide du robinet. Après environ 30 à 35 minutes, placer les crevettes et les légumes dans la marguerite et déposer-la dans le cuiseur.

Cuire environ 10 minutes ou jusqu'à ce que les crevettes soient opaques et que les légumes soient légèrement tendres. Lorsque le cycle de cuisson est terminé, assaisonner les crevettes, légumes, ananas et riz avec la sauce teriyaki puis servir.

Portions : 4

Recettes (suite)

Pouding au riz avec pêches et pommes

4 tasses de mesureur de riz blanc ou parfumé au jasmin (remplir le pot de cuisson jusqu'à la ligne « 4 »)
1,25 L (5 tasses) de lait 1 % ou écrémé
7,5 ml (1 1/2 cuillère à café) de sel cachet
12,5 ml (2 1/2 cuillère à café) de cannelle moulue
7,5 ml (1 1/2 cuillère à café) de vanille
2,5 ml (1/2 cuillère à café) d'extrait d'amande
175 ml (3/4 tasse) de cassonade
125 ml (1/2 tasse) de sucre
175 ml (3/4 tasse) de pêches séchées
175 ml (3/4 tasse) de pommes séchées

Verser le riz dans le pot de cuisson en premier; puis ajouter les ingrédients liquides et le reste des ingrédients.

Réglage du cuiseur Simplicity : White Rice (riz blanc)

Ajouter du lait lorsque la cuisson est terminée pour obtenir la consistance de pouding souhaitée.

NOTE : Tout fruit séché peut être substitué. Ajouter des noix (noisettes, pacanes, etc.) si désirées.

Portions : 8 à 10

Macaroni et fromage

1 boîte de macaronis en coude (1 lb/450 g)
875 ml (3 1/2 tasses) de bouillon de poulet faible en sodium
330 ml (1 1/3 tasse) de crème 11,5 % M.G. (crème simple)
125 ml (1/2 tasse) de crème à faible teneur en matières grasses
125 ml (1/2 tasse) de lait (au choix : entier, écrémé, etc.)
625 ml (2 1/2 tasses) de cheddar râpé
45 ml (3 cuillères à soupe) de beurre
1,25 ml (1/4 de cuillère à café) de poivre noir
5 ml (1 cuillère à café) de sel
1,25 ml (1/4 de cuillère à café) de poivre de cayenne

Placez tous les ingrédients dans une marmite et mélangez légèrement à l'aide d'une cuillère antiadhésive (non métallique pour ne pas rayer la marmite).

Réglage du cuiseur Simplicity : Boil/Simmer (bouillir/mijoter) :
7 minutes

NOTE : Lorsque l'appareil passe en mode Warm (garde-au-chaud), laissez reposer le mélange pendant 10 minutes environ ; puis mélangez et laissez reposer un autre 5 à 10 minutes. L'absorption du liquide se poursuivra.

Portions : 8 à 10

Dépannage

PROBLÈME

CAUSE POSSIBLE

Le cuiseur refuse de se mettre en marche.

- Le cuiseur n'est pas branché. S'assurer que le cuiseur de riz est branché dans une prise murale qui fonctionne correctement.

Le riz n'est pas cuit.

- Trop peu d'eau/de liquide de cuisson. Suivre le mode d'emploi inscrit sur l'emballage ou consulter le tableau de cuisson du riz pour de plus amples renseignements.
- Déposer délicatement le pot de cuisson dans la base. S'assurer que le pot de cuisson est solidement ancré en le tournant vers la gauche et vers la droite. **NOTE** : Si le pot de cuisson est croche ou tordu, il ne reposera pas correctement dans sa base et le transfert de chaleur ne sera pas uniforme. Pour remplacer le pot de cuisson, appeler le numéro sans frais du Service à la clientèle inscrit sur la page couverture de ce guide.

Le riz est pâteux.

- Trop d'eau ajoutée dans le pot de cuisson. Réduire la quantité de liquide.

Le cuiseur de riz émet un signal sonore pendant le cycle STEAM COOK (cuisson à la vapeur).

- Le pot de cuisson a chauffé à vide. Ajouter plus d'eau et appuyer sur STEAM COOK (cuisson à la vapeur) pour continuer la cuisson à la vapeur ou sur OFF (arrêt) pour mettre l'appareil hors tension.

Garantie limitée

Cette garantie s'applique aux produits achetés aux É.-U. et au Canada. C'est la seule garantie expresse pour ce produit et est en lieu et place de tout autre garantie ou condition.

Ce produit est garanti contre tout défaut de matériaux et de main-d'oeuvre pour une période de un (1) an à compter de la date d'achat d'origine. Au cours de cette période, votre seul recours est la réparation ou le remplacement de ce produit ou tout composant s'avérant défectueux, à notre gré, mais vous êtes responsable de tous les coûts liés à l'expédition du produit et le retour d'un produit ou d'un composant dans le cadre de cette garantie. Si le produit ou un composant n'est plus offert, nous le remplacerons par un produit similaire de valeur égale ou supérieure.

Cette garantie ne couvre pas le verre, les filtres, l'usure d'un usage normal, l'utilisation non conforme aux directives imprimées, ou des dommages au produit résultant d'un accident, modification, utilisation abusive ou incorrecte. Cette garantie s'applique seulement à l'acheteur original ou à la personne l'ayant reçu en cadeau. La présentation du reçu de vente d'origine comme preuve d'achat est nécessaire pour faire une réclamation au titre de cette garantie. Cette garantie ne s'applique pas si le produit est utilisé à d'autres fins qu'une utilisation domiciliaire familiale.

Nous excluons toutes les réclamations au titre de cette garantie pour les dommages spéciaux, consécutifs et indirects causés par la violation de garantie expresse ou implicite. Toute responsabilité est limitée au prix d'achat. **Chaque garantie implicite, y compris toute garantie ou condition de qualité marchande ou d'adéquation à un usage particulier, est exonérée, sauf dans la mesure interdite par la loi, auquel cas la garantie ou condition est limitée à la durée de cette garantie écrite.** Cette garantie vous donne des droits légaux précis. Vous pouvez avoir d'autres droits qui varient selon l'endroit où vous habitez. Certaines provinces ne permettent pas les limitations sur les garanties implicites ou les dommages spéciaux ou indirects de telle sorte que les limitations ci-dessus ne s'appliquent peut-être pas à votre cas.

Ne pas retourner cet appareil au magasin lors d'une réclamation au titre de cette garantie. Téléphoner au 1.800.851.8900 aux É.-U. ou au 1.800.267.2826 au Canada ou visiter le site internet www.hamiltonbeach.com aux É.-U. ou www.hamiltonbeach.ca au Canada. Pour un service plus rapide, trouvez le numéro de modèle, le type d'appareil et les numéros de série sur votre appareil.

SALVAGUARDIAS IMPORTANTES

Cuando use aparatos eléctrico, siempre deben de seguirse precauciones básicas de seguridad para reducir riesgos de fuego, descargas eléctricas, y/o lesiones a personas, incluyendo lo siguiente:

1. Lea todas las instrucciones.
2. Verifique que el voltaje de su instalación corresponda con el del producto.
3. No toque las superficies calientes. Use las manijas o perillas. Use guantes de cocina cuando remueva contenedores calientes.
4. Para protegerse contra un riesgo de descarga eléctrica no sumerja el cable, enchufe o base en agua u otro líquido.
5. Se requiere de una estrecha supervisión cuando cualquier aparato está siendo usado por o cerca de niños.
6. Desconecte de la toma cuando no esté en uso. Desconecte y deje enfriar antes de poner o quitar partes y antes de limpiar.
7. No opere ningún aparato que tenga un cable o enchufe dañado o después de un mal funcionamiento del aparato, o si se ha caído o dañado de cualquier manera. Llame a nuestro número de servicio al cliente lada sin costo para información sobre examinación, reparación o ajuste.
8. El uso de aditamentos de accesorio no recomendados por el fabricante del aparato puede causar lesiones.
9. No use en exteriores.
10. No deje que el cable cuelgue del borde de la mesa o cubierta, o que toque superficies calientes, incluyendo la estufa.
11. No coloque sobre o cerca de un quemador caliente de gas o eléctrico, o sobre un horno calentado.
12. Se debe tener precaución extrema cuando se mueve un aparato que contenga aceite caliente, comida caliente, agua u otros líquidos calientes.
13. Para desconectar, asegúrese que el interruptor de cocimiento esté presionado hacia la posición "arriba", luego desconecte de la toma de la pared.
14. No use el aparato para otro uso que no sea para el que fue hecho.
15. Levante y abra la cubierta cuidadosamente para evitar escaldaduras, y permita que el agua escurra a la olla.
16. **PRECAUCIÓN:** Riesgo de descarga eléctrica. Cocine sólo en el contenedor removible.
17. No coloque la unidad directamente bajo gabinetes cuando esté funcionando ya que este producto produce grandes cantidades de vapor. Evite tratar de alcanzar algo por arriba cuando esté funcionando.

¡GUARDE ESTAS INSTRUCCIONES!

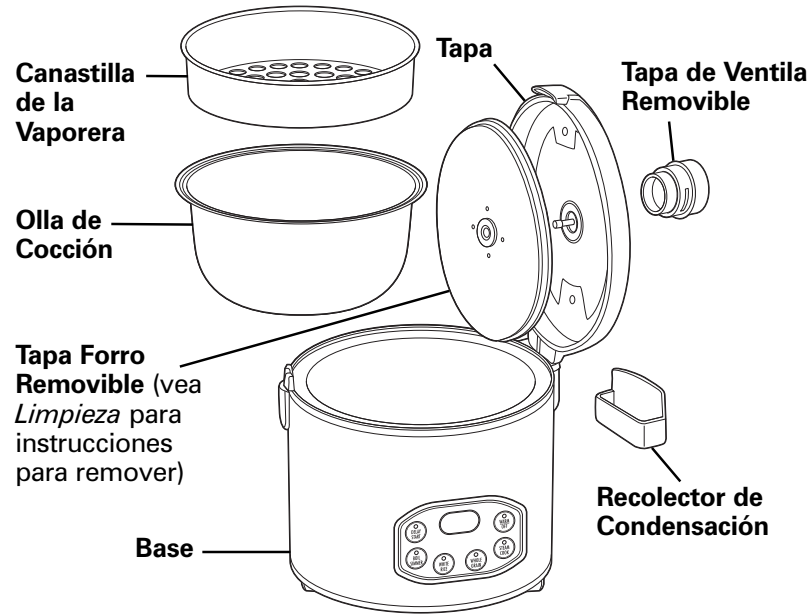
OTRA INFORMACIÓN DE SEGURIDAD PARA EL CLIENTE

Este aparato ha sido diseñado solamente para uso doméstico.

¡ADVERTENCIA! Peligro de descarga eléctrica: Este aparato cuenta con un enchufe polarizado (una pata más ancha) que reduce el riesgo de una descarga eléctrica. El enchufe calza únicamente en una dirección dentro de un tomacorriente polarizado. No trate de obviar el propósito de seguridad del enchufe modificándolo de alguna manera o utilizando un adaptador. Si el enchufe no calza, inviértalo. Si aún así no calza, llame a un electricista para que reemplace el tomacorriente.

El largo del cable que se utiliza con este artefacto fue elegido para reducir el riesgo de enredarse o de tropezarse con él si fuese más largo. Si se necesita un cable eléctrico más largo, podrá usarse un cable de extensión aprobado. La potencia eléctrica del cable de extensión deberá ser igual o mayor que la del tostador. Se debe tener cuidado al acomodar el cable de extensión de manera que no cuelgue por el borde de la mesa o mostrador y que los niños no puedan jalarlo o tropezarse accidentalmente.

Partes y Características



Accesorios Opcionales disponible en algunos modelos



Paleta para Arroz



Medidor de Arroz 6 Onzas (180 ml)



Espátula Cucharón



Use para retrasar el tiempo de inicio (hasta 15 horas) para cualquier función EXCEPTO Steam Cook (cocinar a vapor).



Use con mezclas de arroz preempacadas, sopas, guisados, frijoles, avena, cereales calientes, granos y otros alimentos que requieran hervir y cocinar a fuego lento. Esta función hervirá el contenido luego reduce el calor para cocinar a fuego lento por un periodo de tiempo.



Use para cocinar arroz blanco por un tiempo programado de cocción.



Use para cocinar arroz integral y otros granos (que no sea arroz blanco) por un tiempo preprogramado de cocción.



Use para cocinar con vapor por un tiempo a vapor seleccionado. El tiempo de cocimiento a vapor puede ajustarse a 0 (para sólo hervir agua) a 30 minutos.



Presione una vez para usar la función de mantener caliente.

Presione dos veces para apagar la vaporera.

La unidad cambia automáticamente a la función de mantener caliente después de cada función EXCEPTO Steam Cook (cocinar a vapor).

Cómo Preparar Arroz

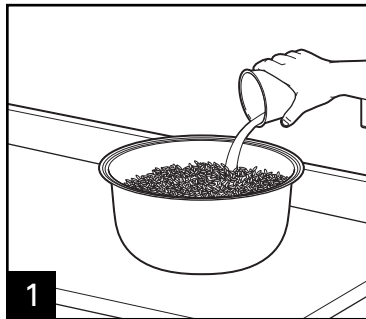
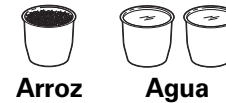
⚠ ADVERTENCIA Peligro de Descarga Eléctrica. Cocine sólo en la olla de cocción removible. Nunca coloque agua o alimento directamente en la base.

ANTES DE USAR POR PRIMERA VEZ: Lave la olla de cocción siguiendo las instrucciones de *Limpieza*; seque completamente.

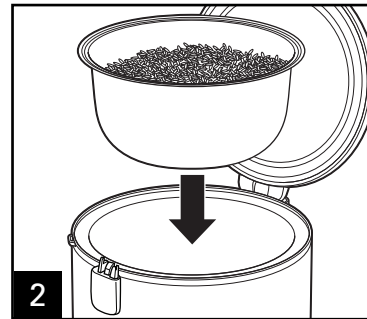
INFORMACIÓN DEL MEDIDOR DE ARROZ DE PLÁSTICO

1. No tire el medidor de arroz de plástico que viene con su unidad. Esta es una herramienta importante para usar su arrocera exitosamente y su tamaño es estándar en la industria del arroz. Una taza del medidor de arroz no es igual a una taza de EU estándar (el medidora de arroz de plástico es de 6 onzas/180 ml o aproximadamente 3/4 de una taza de EU). Cuando se indique usar "1 taza" ya sea de arroz o agua, esto significa una taza completa nivelada del medidor de arroz. La mayoría de las indicaciones de los paquetes de arroz están enlistadas en términos de tazas del medidor de arroz.

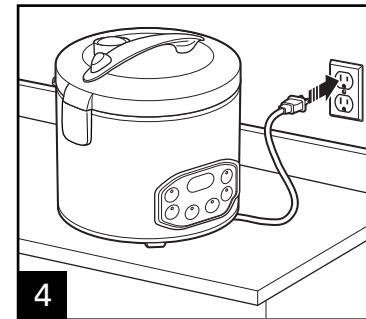
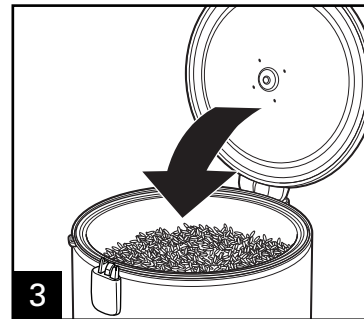
2. El detalle más importante cuando cocine arroz es la relación arroz a agua. Una buena relación general es de dos partes de agua por una de arroz (por favor vea la ilustración a continuación). Si por alguna razón pierde o no coloca en su lugar el medidor de arroz de plástico, mida **AMBOS** el agua y el arroz usando una taza de EU estándar—su arroz quedará igual de bien. Para prevenir un desbordamiento y/o calentar de más, no exceda de la Línea de 10 Tazas cuando tanto el arroz como el agua se hayan agregado a la olla de cocción.



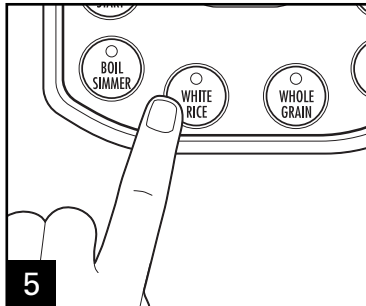
1. Agregue la cantidad deseada de arroz sin cocer en la olla; luego llene con agua hasta la línea de agua correspondiente. Ejemplo: para 3 tazas de arroz: agregue 3 tazas medidoras de arroz niveladas, y luego agregue agua hasta la línea "3". No sobrepase la línea de llenado de 10 Tazas.



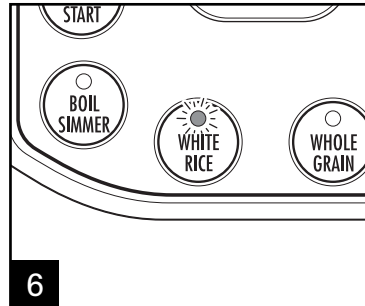
2. Coloque cuidadosamente la olla de cocción derecha sobre la base. Asegúrese que la olla de cocción esté sentada de manera segura girando la olla de izquierda a derecha.
NOTA: Asegúrese que el fondo de la olla de cocción no esté doblado o deformado o no conducirá el calor correctamente.



Cómo Preparar Arroz (cont.)



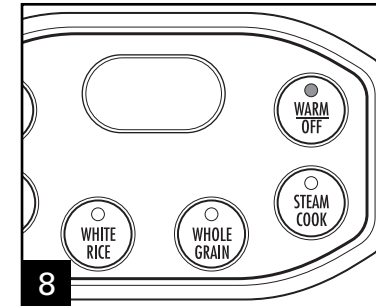
5 Seleccione el tipo de arroz a ser cocinado: **WHITE RICE** (arroz blanco) o **WHOLE GRAIN** (grano entero). Para mezclas de arroz empacado, vea *Cómo Ajustar a Hervir/Cocinar Lento*.



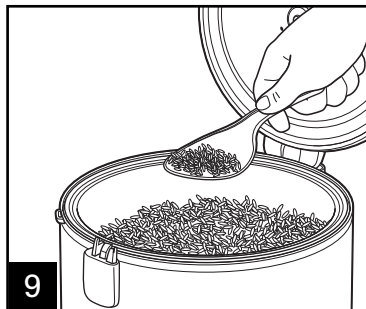
6 La luz parpadeará por 5 segundos.



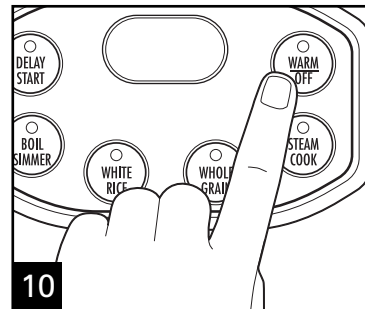
7 Aparecerá **ON** (encendido) en la pantalla. El arroz se cocinará por el tiempo preajustado. **NOTA:** Vacíe el recolector de condensación según sea necesario durante el cocimiento.



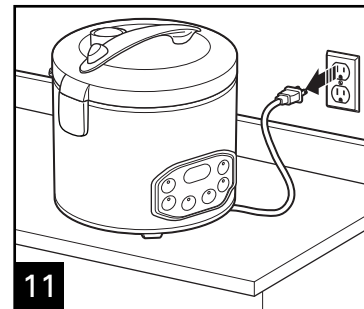
8 Cuando termine de cocer, la olla cambiará a **WARM** (caliente) y la luz se iluminará. La unidad mantendrá el arroz caliente hasta que sea apagada o desconectada.



9



10 Presione la almohadilla **WARM/OFF** (caliente/apagado) dos veces para apagar.



11

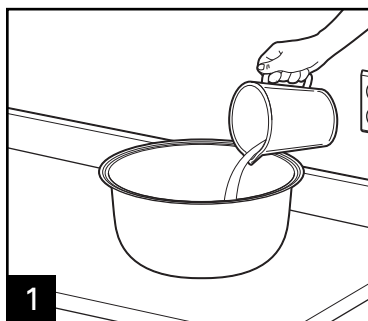
¡ADVERTENCIA! Peligro de Quemarse. Nunca use la manija de la tapa para llevar la arrocera cuando el contenido esté caliente. El vapor que sale de la ventila puede causar lesiones.

Cómo Cocinar Alimentos a Vapor

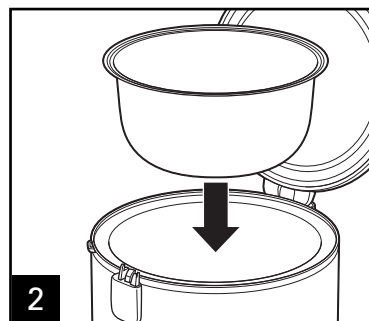
⚠ ADVERTENCIA

Peligro de Descarga Eléctrica. Cocine sólo en la olla de cocción removible y canastilla de la vaporera. Nunca coloque agua o alimento directamente en la base.

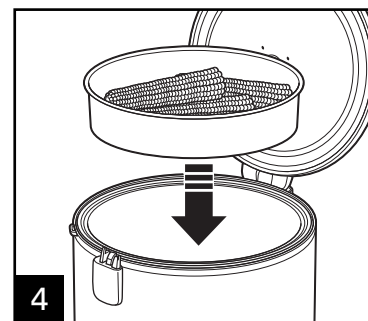
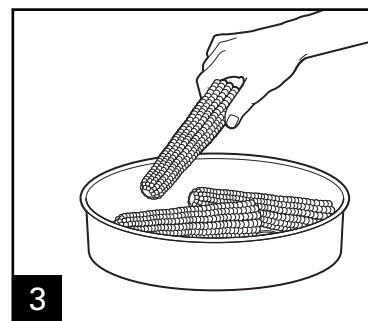
ANTES DE USAR POR PRIMERA VEZ: Lave la olla de cocción siguiendo las instrucciones de *Limpieza*; seque completamente.



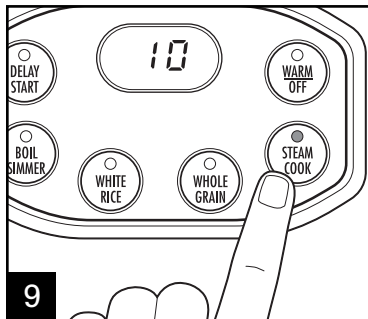
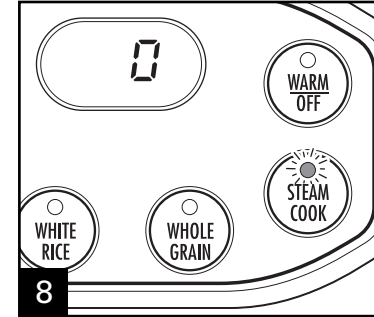
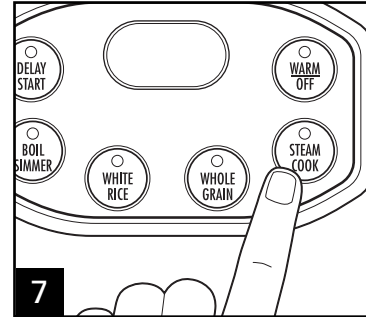
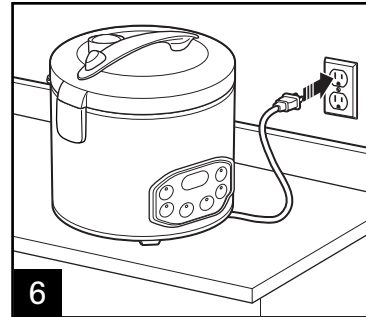
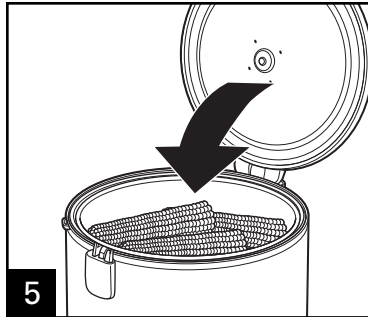
Vacíe la cantidad deseada de agua en la olla de cocción. **NOTA:** Si la olla hierve hasta quedar seca, la vaporera emitirá un bip y el tiempo restante parpadeará en la pantalla. Agregue más agua y presione STEAM COOK (cocinar a vapor) para continuar el ciclo de vapor o presione la almohadilla de WARM/OFF (caliente/apagado) dos veces para apagar.



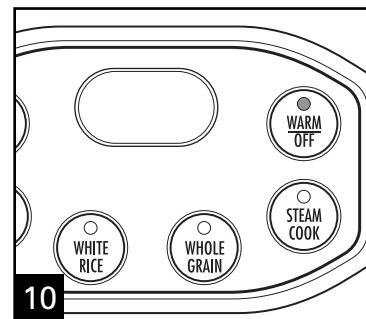
Coloque cuidadosamente la olla de cocción derecha sobre la base. Asegúrese que la olla de cocción esté sentada de manera segura girando la olla de izquierda a derecha. **NOTA:** Asegúrese que el fondo de la olla de cocción no esté doblado o deformado o no conducirá el calor correctamente. Coloque el alimento en la canastilla de la vaporera.



Cómo Cocinar Alimentos a Vapor (cont.)

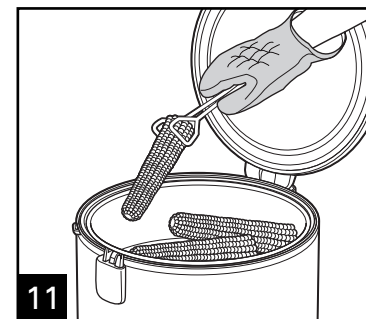


Continúe presionando la almohadilla STEAM COOK (cocinar a vapor) para justar el tiempo de cocción.

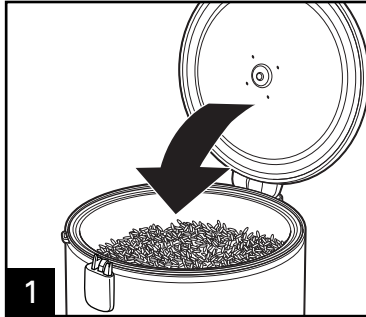


Cuando termine de cocer, la olla cambiará a OFF (apagado).

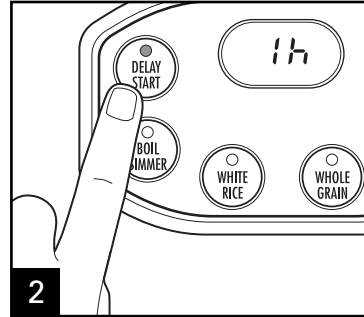
¡ADVERTENCIA! Peligro de Quemarse. Nunca use la manija de la tapa para llevar la arrocera cuando el contenido esté caliente. El vapor que sale de la ventila puede causar lesiones.



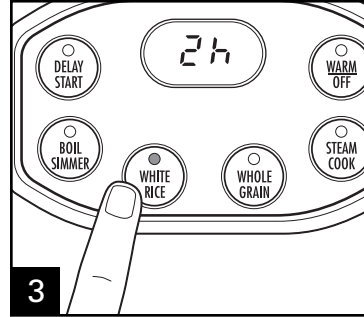
Cómo Ajustar Tiempo de Inicio Retardado



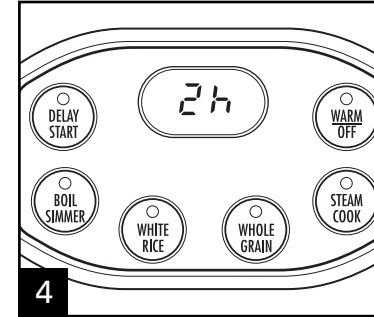
1 Coloque el agua en la olla de cocción y el alimento en la canastilla de la vaporera. Vea *Cómo Cocinar Alimentos a Vapor*.



2 Presione la almohadilla DELAY START (temporizador de retardo). La pantalla parpadeará 1 hora como tiempo de retardo predeterminado. Continúe presionando el botón de DELAY START (temporizador de retardo) para ajustar el tiempo de retardo.



3 Presione un botón de función y para ajustar el tiempo de cocción. Vea *Cómo Cocinar Alimentos a Vapor* para más información. **NOTA:** DELAY START (temporizador de retardo) no funciona con la función de STEAM COOK (cocinar a vapor).



4 La pantalla parpadeará luego comenzará a contar regresivamente para ajustar el tiempo de retardo.

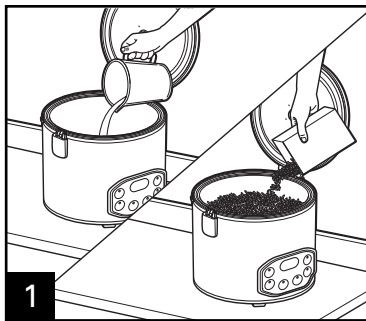
NOTAS:

- El Cocimiento/Vapor comenzará una vez que la unidad haya completado el conteo de tiempo de retraso.
- Esta función es ideal para remojar y cocinar frijoles secos.

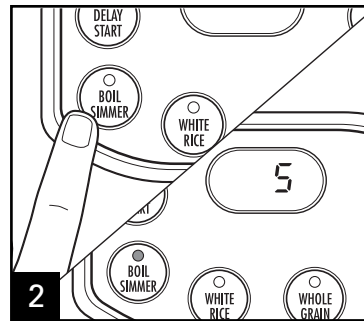
Caliente para Ajustar a Hervir/Cocinar Lento

⚠ ADVERTENCIA Peligro de Descarga Eléctrica. Cocine sólo en la olla de cocción removible y canastilla de la vaporera. Nunca coloque agua o alimento directamente en la base.

ANTES DE USAR POR PRIMERA VEZ: Lave la olla de cocción siguiendo las instrucciones de *Limpieza*; seque completamente.

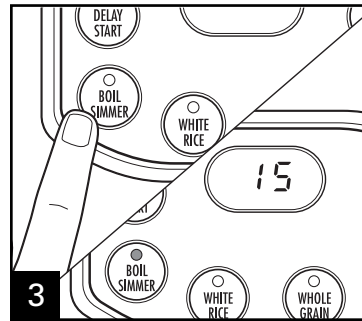


1 Coloque el agua y contenido deseado en la olla de cocción.

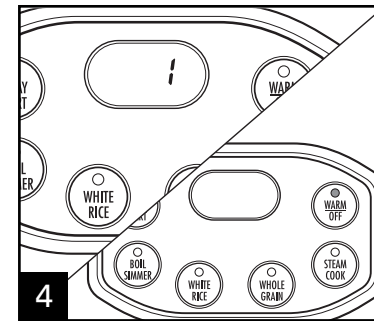


2 Presione la almohadilla BOIL/SIMMER (hervir/cocinar lento). "5" aparecerá en la pantalla.

NOTA: El tiempo de cocción lenta se puede ajustar de 5 a 90 minutos en "incrementos por minuto", y hasta 5 horas en "incrementos por hora".



3 Continúe presionando la almohadilla BOIL/SIMMER (hervir/cocinar lento) hasta seleccionar la cantidad deseada de tiempo de "cocción lenta". La olla hará hervir el contenido y luego cocerá lentamente durante el periodo seleccionado de tiempo.

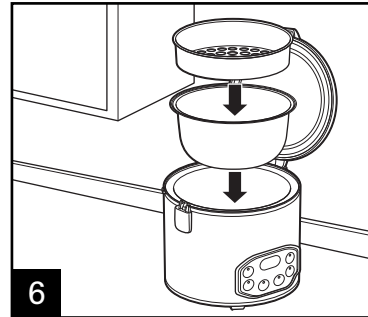
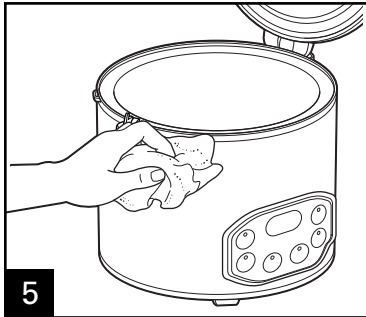
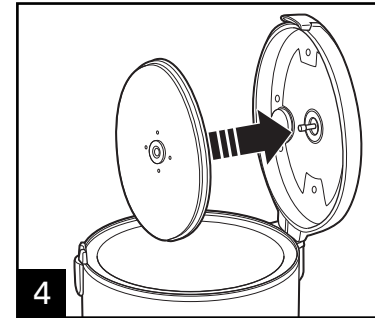
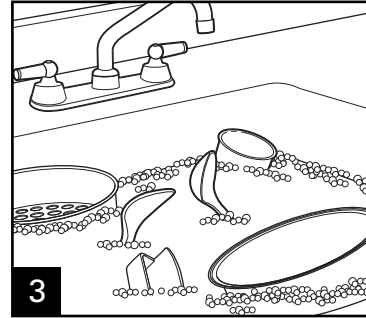
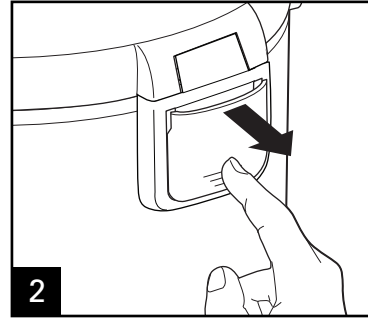
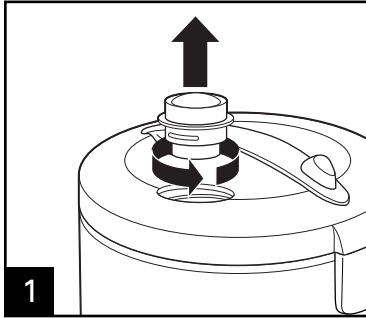


4 La pantalla comenzará a contar hacia atrás el tiempo de cocción lenta DESPUÉS de que se ha alcanzado el punto de ebullición. Después de completar el tiempo de cocción lenta, la olla se cambiará automáticamente a WARM (caliente).

¡ADVERTENCIA! Peligro de Quemarse. Nunca use la manija de la tapa para llevar la arrocera cuando el contenido esté caliente. El vapor que sale de la ventila puede causar lesiones.

Limpieza

⚠ ADVERTENCIA Peligro de Descarga Eléctrica.
No sumerja la base, el cable o enchufe en agua u otros líquidos.



SEGURIDAD DEL LAVAVAJILLAS

NOTA: La espátula es un accesorio opcional disponible en algunos modelos.

El forro de la tapa puede ser removido para lavar a mano, o también puede ser colocado en el estante superior del lavaplatos para una limpieza fácil.

Tabla de Cocción de Arroz y Consejos

Tiempo de Cocción de la Arrocera (aproximado). La arrocera cambiará a WARM (caliente) después del tiempo de cocción, indicando que el arroz está cocido.

Tamaño de porción = 3/4 taza (180 g)

TIPO DE ARROZ	AJUSTE	CANTIDAD DE ARROZ SIN COCINAR	CANTIDAD DE AGUA	TIEMPO DE COCCIÓN	PORCIONES
Blanco					
Cantidad Mín.	Arroz	2 tazas (360 ml)	Llene la olla hasta la línea "2"	15-25 minutos	2-3
Cantidad Máx.	Blanco	10 tazas (1.8 L)	Llene la olla hasta la línea "10"	30-45 minutos	10-12
Integral					
Cantidad Mín.	Grano	2 tazas (360 ml)	Llene la olla hasta la línea "2"	25-35 minutos	2-3
Cantidad Máx.	Entero	10 tazas (1.8 L)	Llene la olla hasta la línea "10"	40-55 minutos	10-12

- Menee las mezclas de arroz en caja preempacados por lo menos una vez durante el cocinado; de lo contrario, las especias pueden pegarse al fondo de la olla de cocción. Para mejores resultados, desconecte la unidad cuando termine de cocinar este tipo de arroz. No "mantenga caliente".
- El secar el arroz incrementará a veces el burbujeo durante el cocimiento. Cuando cocine media olla o menos arroz, minimice el burbujeo/desbordamiento al reducir el agua en aproximadamente un tercio.
- El dejar al arroz "reposar" por aproximadamente 5 a 10 minutos después de cocinar dará una mejor textura al arroz.
- De un impulso de sabor al arroz sustituyendo una cantidad igual de caldo de pollo/res/vegetales por el agua.
- Note que los tiempos de cocción aquí enlistados son aproximados y sólo para referencia. No necesita ingresar tiempos de cocción cuando use las funciones WHITE RICE (arroz blanco) o WHOLE GRAIN (grano entero) ya que la unidad sabe cuando está listo el alimento y ajustará el tiempo de cocción adecuadamente.

Tabla de Cocción de Vegetales con Vapor y Consejos

TIPO DE VEGETAL	AJUSTE	CANTIDAD DE AGUA	TIEMPO DE COCCIÓN
Vegetales más blandos (ej., zucchini, calabaza)	Cocinar con vapor	Llene la olla hasta la línea "2"	4-7 minutos
Vegetales más firmes (ej., brócoli, mazorca de maíz, zanahorias)	Cocinar con vapor	Llene la olla hasta la línea "2"	7-15 minutos

- Cuantos más vegetales se agreguen a la canastilla de la vaporera, más tiempo tardará la cocción con vapor.
- Los trozos más pequeños de vegetales se cocinarán más rápidamente que los trozos más grandes.
- Dé un impulso de sabor los vegetales sustituyendo una cantidad igual de caldo de pollo/res/vegetales por el agua.
- Note que los tiempos de cocción con vapor aquí enlistados son aproximados y sólo para referencia.

Recetas

Frijoles Secos

1 libra (450 g) de frijoles secos (cualquier variedad)
8 tazas (2 L) de agua
1/8 cucharadita (0.65 ml) de bicarbonato de sodio
1 cebolla mediana, partida en cuartos
1 cucharada (15 ml) de aceite de olivo
Sal y pimienta al gusto

Seleccione los frijoles removiendo cualquier piedrita o rama. Coloque los frijoles en el colador y enjuague bien. Coloque los frijoles en la olla de cocción. Agregue agua, bicarbonato de sodio, cebolla y aceite de olivo.

Ajuste la Olla Simple: Delay Start (temporizador de retardo)
(al menos 6 horas o durante la noche)
Boil/Simmer (hervir/cocinar lento): 1 1/2 horas

Sazone con sal y pimienta al gusto.

Porciones: 12

Sopa de Lentejas

2 cucharadas (30 ml) de aceite de olivo
1 taza (250 ml) de zanahoria, cortada finamente
1 taza (250 ml) de apio, cortado finamente
2 cucharaditas (10 ml) sal kosher
1 bolsa (16 onzas/450 g) de lentejas, picadas y secadas
1 lata (14.5 onzas/411 g) de tomates tostados a las brasas
2 cuartos (2 L) de caldo de pollo o de vegetales
1/2 cucharadita (2.5 ml) de cilantro picado
1/2 cucharadita (2.5 ml) de comino picado

Seque las lentejas. Coloque todos los ingredientes en la olla de cocción; menee suavemente para combinar.

Ajuste la Olla Simple: Boil/Simmer (hervir/cocinar lento): 35 minutos

Sazone con sal y pimienta adicional al gusto.

Porciones: 6–8

Recetas (cont.)

Arroz Tex-Mex

3 tazas (540 ml) de agua
1/4 de taza (60 ml) de cilantro cortado
2 chiles jalapeños, con semilla
3 tazas (540 ml) de arroz blanco de grano largo
4 elotes en mazorca
1/8 cucharadita (0.65 ml) de comino molido
Jarra de 24 onzas (709 ml) de salsa

Coloque 3 tazas (540 ml) de agua, cilantro y los chiles en la licuadora. Procese hasta que todos los ingredientes estén bien cortados. Coloque la mezcla de la licuadora y los ingredientes restantes en la olla de cocción.

Ajuste la Olla Simple: White Rice (arroz blanco)

Porciones: 6

Avena Nocturna

2 tazas (500 ml) de avena a la antigua
4 tazas (1 L) de agua
1/2 taza (125 ml) de manzana seca, cortada
Salpique sal
1/4 de cucharadita (1.25 ml) de canela
Azúcar o edulcorante, al gusto
2 cucharadas (30 ml) de mantequilla, opcional

Coloque la avena, agua, manzanas secas, sal y canela en la olla de cocción.

Ajuste la Olla Simple: Delay Start (temporizador de retardo)
(al menos 6 horas o durante la noche)
Boil/Simmer (hervir/cocinar lento): 5 minutos

Opcional: Menee al agregar azúcar y mantequilla.

NOTA: Esta receta se puede hacer inmediatamente (sin usar la opción de retardo), si lo desea. Porciones: 4

Recetas (cont.)

Salmón al Vapor con Arroz Integral

2 filetes de salmón (salvaje de Alaska, 3-4 onzas/85-113 g cada uno)
 2 cucharaditas (10 ml) de jengibre molido
 3 cucharadas (45 ml) de salsa de soya baja en sodio
 1 diente de ajo, picado
 2 cucharaditas (10 ml) de azúcar morena
 1/2 cucharadita (2.5 ml) de hojuelas de chili
 1 cebolla verde o shallot, rebanada
 Sal y pimienta al gusto
 Arroz integral (sin cocinar)

Coloque la canastilla de la vaporera en el plato (para atrapar lo que pueda caer). Mezcle el jengibre, salsa de soya, ajo, azúcar morena y hojuelas de chili. Frote los filetes con la mezcla y coloque en el refrigerador para marinar por aproximadamente 30 minutos.

Mida el arroz integral de acuerdo a las indicaciones del paquete/porciones. Llene la olla de cocción hasta la línea de agua correspondiente (vea la Tabla de Arroz para información adicional). Caldo de pollo o vegetales también puede usarse para sustituir agua.

Ajuste la Olla Simple: Whole Grain (grano entero)—después de aproximadamente 30–35 minutos, levante la cubierta y agregue la canastilla de la vaporera con filetes de salmón.

Cocine por unos 8–10 minutos adicionales o hasta que el salmón se descascare fácilmente con un tenedor. Sirva el salmón sobre el arroz y rocíe con cebolla verde rebanada.

Porciones: 2

Camarones al Vapor con Verduras

1 libra (450 g) de camarón grande congelado
 1 taza (250 ml) de chícharos dulces
 3/4 a 1 taza (175 a 250 ml) de pimienta roja, rebanado
 1/2 a 3/4 de taza (125 a 175 ml) de cebolla, rebanada
 1 taza (250 ml) de piña cortada (en jugo)
 1 botella (12 onzas/354 ml) de salsa teriyaki (u otra salsa que desee)
 Arroz blanco (sin cocer)

Coloque la cantidad deseada de arroz blanco en la olla de cocción. Llene la olla de cocción con agua a la línea de agua correspondiente.

Ajuste la Olla Simple: White Rice (arroz blanco)

Mientras se cocina el arroz, parta las verduras y descongele los camarones bajo agua fría corriendo. Después de aproximadamente 30–35 minutos, coloque los camarones y verduras en la canastilla de la vaporera y coloque la canastilla en la olla de cocción.

Cocine aproximadamente 10 minutos o hasta que los camarones estén opacos y las verduras ligeramente tiernas. Cuando el ciclo de cocción esté completo, revuelva los camarones, vegetales, piña y arroz con salsa teriyaki y sirva.

Porciones: 4

Recetas (cont.)

Pudín de Arroz con Duraznos y Manzanas

4 tazas medidoras de arroz blanco o jazmín (llene la olla de cocción a la línea "4")
5 tazas (1.25 L) de leche de 1% o descremada
1 1/2 cucharaditas (7.5 ml) de sal kosher
2 1/2 cucharaditas (12.5 ml) de canela molida
1 1/2 cucharaditas (7.5 ml) vainilla
1/2 cucharaditas (2.5 ml) de extracto de almendras
3/4 tazas (175 ml) de azúcar morena clara
1/2 taza (125 ml) de azúcar
3/4 taza (175 ml) de durazno seco
3/4 taza (175 ml) de manzanas secas

Coloque el arroz en la olla de cocción primero; luego agregue los líquidos y los ingredientes restantes.

Ajuste la Olla Simple: White Rice (arroz blanco)

Agregue la leche adicional cuando termine de cocinar para lograr la consistencia deseada del pudín.

NOTA: Se puede sustituir por cualquier fruta seca. Agregue nueces (nuez, pacanas, etc.) si lo desea

Porciones: 8–10

Macarrones con queso

1 caja de macarrones coditos (caja de 1 lb. [450 g])
3 1/2 tazas (875 ml) de caldo de pollo bajo en sodio
1 1/3 tazas (330 ml) de "half and half" ("half and half" común)
1/2 taza (125 ml) de "half and half" libre de grasa
1/2 taza (125 ml) de leche (cualquier clase: entera, descremada, etc.)
2 1/2 tazas (625 ml) de queso cheddar rallado
3 cucharadas (45 ml) de manteca
1/4 cucharadita (1.25 ml) de pimienta negra
1 cucharadita (5 ml) de sal
1/4 cucharadita (1.25 ml) de pimienta de cayena

Coloque todos los ingredientes en la olla de cocción y mezcle lentamente utilizando una cuchara antiadherente (no de metal porque raya la olla de cocción).

Ajuste la Olla Simple: Boil/Simmer (hervir/cocinar lento): 7 minutos

NOTA: Una vez que la unidad pasa a Warm (caliente), deje reposar la mezcla por aproximadamente 10 minutos; luego mezcle y deje reposar por otros 5–10 minutos. El líquido continuará absorbiendo.

Porciones: 8–10

Resolviendo Problemas

PROBLEMA

CAUSA PROBABLE

La arrocera no se enciende.

La arrocera no está conectada. Asegúrese que la arrocera esté conectada en una toma eléctrica operando adecuadamente.

El arroz no está cocido.

No hay suficiente agua/líquido de cocción. Siga las instrucciones del paquete o vea la Tabla de Cocción de Arroz para más información.

Coloque cuidadosamente la olla de cocción derecha sobre la base. Asegúrese que la olla de cocción esté sentada de manera segura girando la olla de izquierda a derecha. **NOTA:** Si la olla de cocción está doblada o deformada no sentará bien en la base y, por lo tanto, no conducirá el calor adecuadamente. Para reemplazar la olla de cocción, llame al número de Asistencia al Cliente sin costo enlistado en la cubierta de esta guía.

El arroz está blando.

Se agregó mucho líquido a la olla de cocción. Reduzca el líquido.

La arrocera comienza a emitir un "bip" durante STEAM COOK (cocinar a vapor).

La olla de cocción hirvió hasta secarse. Agregue más agua y presione STEAM COOK (cocinar a vapor) para continuar cocinando a vapor o presione OFF (apagado).

Hamilton Beach®

Grupo HB PS, S.A. de C.V.
 Monte Elbruz No. 124 Int. 601
 Col. Palmitas Polanco
 México, D.F. C.P. 11560
 01-800-71-16-100

PÓLIZA DE GARANTÍA

PRODUCTO:	MARCA:	MODELO:
<p>Grupo HB PS, S.A. de C.V. cuenta con una Red de Centros de Servicio Autorizada, por favor consulte en la lista anexa el nombre y dirección de los establecimientos en la República Mexicana en donde usted podrá hacer efectiva la garantía, obtener partes, componentes, consumibles y accesorios; así como también obtener servicio para productos fuera de garantía. Para mayor información llame sin costo: Centro de Atención al consumidor: 01 800 71 16 100</p>		
<p>Grupo HB PS, S.A. de C.V. le otorga a partir de la fecha de compra: GARANTÍA DE 1 AÑO.</p>		
COBERTURA		
<ul style="list-style-type: none"> • Esta garantía ampara, todas las piezas y componentes del producto que resulten con defecto de fabricación incluyendo la mano de obra. • Grupo HB PS, S.A. de C.V. se obliga a reemplazar, reparar o reponer, cualquier pieza o componente defectuoso; proporcionar la mano de obra necesaria para su diagnóstico y reparación, todo lo anterior sin costo adicional para el consumidor. • Esta garantía incluye los gastos de transportación del producto que deriven de su cumplimiento dentro de su red de servicio. 		
LIMITACIONES		
<ul style="list-style-type: none"> • Esta garantía no ampara el reemplazo de piezas deterioradas por uso o por desgaste normal, como son: cuchillas, vasos, jarras, filtros, etc. • Grupo HB PS, S.A. de C.V. no se hace responsable por los accidentes producidos a consecuencia de una instalación eléctrica defectuosa, ausencia de toma de tierra, clavija de enchufe en mal estado, etc. 		
EXCEPCIONES		
<p>Esta garantía no será efectiva en los siguientes casos:</p> <ol style="list-style-type: none"> a) Cuando el producto se hubiese utilizado en condiciones distintas a las normales. (Uso industrial, semi-industrial o comercial.) b) Cuando el producto no hubiese sido operado de acuerdo con el instructivo de uso. c) Cuando el producto hubiese sido alterado o reparado por personas no autorizadas por Grupo HB PS, S.A. de C.V. el fabricante nacional, importador o comercializador responsable respectivo. <p>El consumidor puede solicitar que se haga efectiva la garantía ante la propia casa comercial donde adquirió su producto, siempre y cuando Grupo HB PS, S.A. de C.V. no cuente con talleres de servicio.</p>		

PROCEDIMIENTO PARA HACER EFECTIVA LA GARANTÍA

- Para hacer efectiva la garantía no deben exigirse mayores requisitos que la presentación del producto y la póliza correspondiente, debidamente sellada por el establecimiento que lo vendió.
- Para hacer efectiva la garantía, lleve su aparato al Centro de Servicio Autorizado más cercano a su domicilio (consulte la lista anexa).
- Si no existe Centro de Servicio Autorizado en su localidad llame a nuestro Centro de Atención al Consumidor para recibir instrucciones de como hacer efectiva su garantía.
- El tiempo de reparación, en ningún caso será mayor de 30 días naturales contados a partir de la fecha de recepción del producto en nuestros Centros de Servicio Autorizados.
- En caso de que el producto haya sido reparado o sometido a mantenimiento y el mismo presente deficiencias imputables al autor de la reparación o del mantenimiento dentro de los treinta días naturales posteriores a la entrega del producto al consumidor, éste tendrá derecho a que sea reparado o mantenido de nuevo sin costo alguno. Si el plazo de la garantía es superior a los treinta días naturales, se estará a dicho plazo.
- El tiempo que duren las reparaciones efectuadas al amparo de la garantía no es computable dentro del plazo de la misma. Cuando el bien haya sido reparado se iniciará la garantía respecto de las piezas repuestas y continuará con relación al resto. En el caso de reposición del bien deberá renovarse el plazo de la garantía.

DÍA__ MES__ AÑO__

Si desea hacer comentarios o sugerencias con respecto a nuestro servicio o tiene alguna queja derivada de la atención recibida en alguno de nuestros Centros de Servicio Autorizados, por favor dirigirse a:

GERENCIA INTERNACIONAL DE SERVICIO
01 800 71 16 100
Email: mexico.service@hamiltonbeach.com.mx

RED DE CENTROS DE SERVICIO AUTORIZADA GRUPO HB PS, S.A. DE C.V.**Distrito Federal**

ELECTRODOMÉSTICOS
Av. Plutarco Elías Cailles No. 1499
Zacahuiztco MEXICO 09490 D.F.
Tel: 01 55 5235 2323 • Fax: 01 55 5243 1397

CASA GARCIA
Av. Patriotismo No. 875-B
Mixcoac MEXICO 03910 D.F.
Tel: 01 55 5563 8723 • Fax: 01 55 5615 1856

Nuevo Leon

FERNANDO SEPULVEDA REFACCIONES
Ruperto Martínez No. 238 Ote.
Centro MONTERREY, 64000 N.L.
Tel: 01 81 8343 6700 • Fax: 01 81 8344 0486

Jalisco

SERVICIOS DE MANTENIMIENTO CASTILLO
Garibaldi No. 1450
Ladrón de Guevara
GUADALAJARA 44660 Jal.
Tel: 01 33 3825 3480 • Fax: 01 33 3826 1914

Chihuahua

DISTRIBUIDORA TURMIX
Av. Paseo Triunfo de la Rep. No. 5289 Local 2 A.
Int. Hipermart
Alamos de San Lorenzo
CD. JUAREZ 32340 Chih.
Tel: 01 656 617 8030 • Fax: 01 656 617 8030

Modelo:
37536, 37536C

Tipo:
RC07

Características Eléctricas:
120V ~ 60Hz 650W

Los modelos incluidos en el instructivo de Uso y Cuidado pueden ir seguidos o no por un sufijo correspondiente a una o varias letras del alfabeto y sus combinaciones, separadas o no por un espacio, coma, diagonal, o guión. Como ejemplos los sufijos pueden ser: "Y" y/o "MX" y/o "MXY" y/o "Z".