

**READ BEFORE USE
LIRE AVANT UTILISATION
LEA ANTES DE USAR**

Visit www.hamiltonbeach.com for our complete line of products and Use and Care Guides – as well as delicious recipes, tips, and to register your product online

Rendez-vous sur www.hamiltonbeach.ca pour notre liste complète de produits et de nos manuels utilisateur – ainsi que nos délicieuses recettes et nos conseils

Visite www.hamiltonbeach.com (EE.UU.) o www.hamiltonbeach.com.mx (México) para ver otros productos de Hamilton Beach o para contactarnos

Questions

**Please call us – our friendly associates are ready to help.
USA: 1.800.851.8900**

Questions

N'hésitez pas à nous appeler – nos associés s'empresseront de vous aider.

CAN : 1.800.267.2826

Preguntas

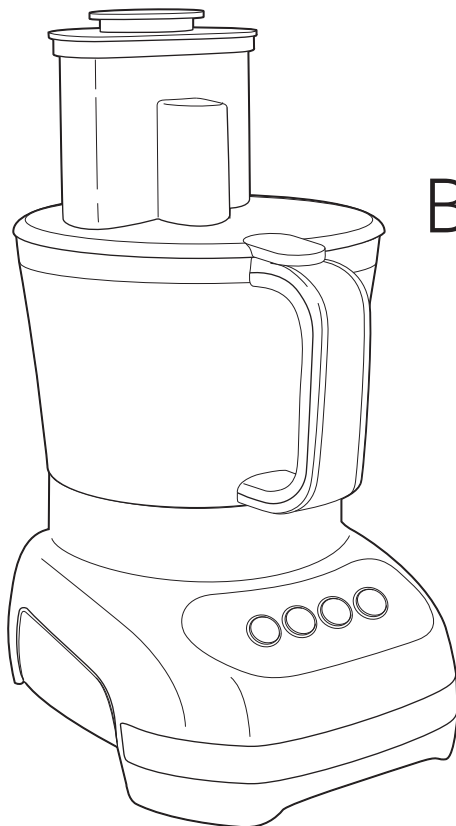
Por favor llámenos – nuestros amables representantes están listos para ayudar.

EE. UU.: 1.800.851.8900

MEX: 01 800 71 16 100

Le invitamos a leer cuidadosamente este instructivo antes de usar su aparato.

Hamilton Beach®



Big Mouth™ Duo Plus Food Processor Robot culinaire Procesador de alimentos

English	2
Français	13
Español	25

IMPORTANT SAFEGUARDS

When using electrical appliances, basic safety precautions should always be followed to reduce the risk of fire, electric shock, and/or injury to persons, including the following:

1. Read all instructions.
2. This appliance is not intended for use by persons with reduced physical, sensory, or mental capabilities, or lack of experience and knowledge, unless they are closely supervised and instructed concerning use of the appliance by a person responsible for their safety.
3. This appliance shall not be used by children. Keep the appliance and its cord out of reach of children.
4. Close supervision is necessary when any appliance is used near children. Children should be supervised to ensure that they do not play with the appliance.
5. To protect against risk of electric shock, do not immerse base, motor, cord, or plug in water or other liquid.
6. Turn the appliance OFF(●), then unplug from outlet when not in use, before putting on or taking off parts, and before cleaning. To unplug, grasp the plug and pull from the outlet. Never pull from the power cord.
7. Avoid contacting moving parts.
8. Do not operate any appliance with a damaged supply cord or plug, or after the appliance malfunctions or has been dropped or damaged in any manner. Supply cord replacement and repairs must be conducted by the manufacturer, its service agent, or similarly qualified persons in order to avoid a hazard. Call the provided customer service number for information on examination, repair, or adjustment.
9. The use of attachments not recommended or sold by the appliance manufacturer may cause fire, electric shock, or injury.
10. Do not use your food processor if any part is broken.
11. Do not use appliance outdoors.
12. Do not let cord hang over edge of table or counter, or touch hot surfaces.
13. Keep hands and utensils away from moving blade and disc while processing food to reduce the risk of severe personal injury and/or damage to the food processor. A rubber scraper may be used but **ONLY** when the food processor is not running.
14. The blade and disc are sharp. Handle carefully. Store out of reach of children.
15. To reduce the risk of injury, never place cutting blade or disc on base without first putting bowl properly in place.
16. Be certain lid is securely locked in place before operating appliance.
17. Never feed food into food chute by hand. Always use the food pushers.
18. Do not attempt to defeat the lid interlock mechanism.
19. Make sure the blade or disc has come to a full stop before removing lid.
20. To reduce the risk of injury, be sure to insert or remove blade and disc using hubs provided for this purpose. Use caution when removing blade and disc from the bowl, when emptying the bowl, and when cleaning.
21. Be sure to turn OFF (●) after each use. Always use the pushers to clear the food chute. When this method is not possible, unplug cord from outlet and disassemble unit to remove the remaining food.
22. The appliance is not intended for commercial, professional, or industrial use. It is designed and built exclusively for household use only.
23. Never use appliance for a longer period or with a larger amount of ingredients other than that recommended by appliance manufacturer. See section titled "Processing Charts."
24. The maximum rating of this unit is based on using the chopping/mixing blade. Using the slicing/shredding disc may draw significantly less power.

25. Do not place on or near a hot gas or electric burner, or in a heated oven.
26. Do not use appliance for other than intended use.
27. Check that the appliance is OFF (O) before plugging cord into wall outlet. To disconnect, turn the control to OFF (O); then remove plug from wall outlet. To unplug, grasp the plug and pull from the outlet. Never pull from the power cord.
28. **CAUTION!** In order to avoid a hazard due to inadvertent resetting of the thermal cut-out, this appliance must not be supplied through an external switching device, such as a timer, or connected to a circuit that is regularly switched on and off by the utility.
29. Be careful if hot liquid is poured into the food processor bowl as it can be ejected out of the appliance due to a sudden steaming.

SAVE THESE INSTRUCTIONS

OTHER CONSUMER SAFETY INFORMATION

This product is intended for household use only.

⚠ WARNING Shock Hazard: This appliance has a polarized plug (one wide blade) that reduces the risk of electric shock. The plug fits only one way into a polarized outlet. Do not defeat the safety purpose of the plug by modifying the plug in any way or by using an adapter. If the plug does not fit fully into the outlet, reverse the plug. If it still does not fit, have an electrician replace the outlet.

The length of the cord used on this appliance was selected to reduce the hazards of becoming tangled in or tripping over a longer cord. If a longer cord is necessary, an approved extension cord may be used. The electrical rating of the extension cord must be equal to or greater than the rating of the appliance. Care must be taken to arrange the extension cord so that it will not drape over the countertop or tabletop where it can be pulled on by children or accidentally tripped over.

To avoid an electrical circuit overload, do not use another high-wattage appliance on the same circuit with this appliance.

Parts and Features

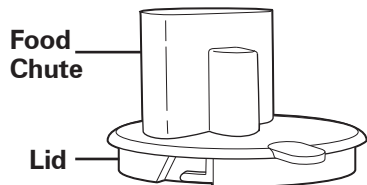
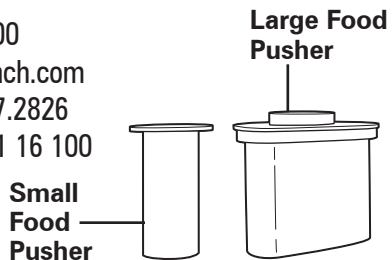
To order parts:

US: 1.800.851.8900

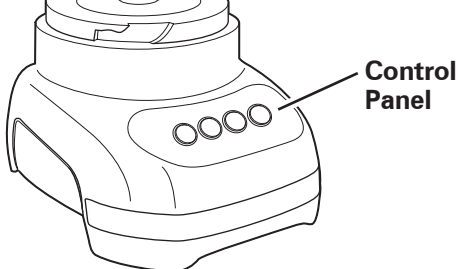
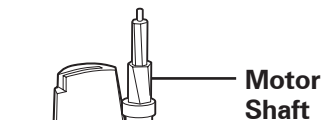
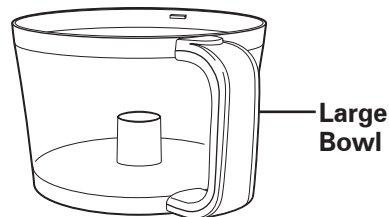
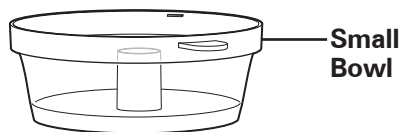
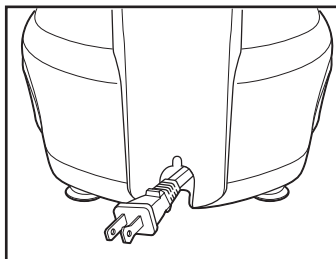
www.hamiltonbeach.com

Canada: 1.800.267.2826

Mexico: 01 800 71 16 100



Cord Stuff Storage
(located on back of base)

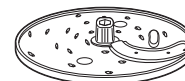


BEFORE FIRST USE: Unpack processor. Handle blade and disc(s) carefully; they are very sharp. Wash all parts except base in hot, soapy water. Rinse; then dry.



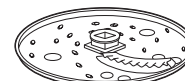
Chopping/Mixing Blade

Use to coarsely chop, mince, mix, or puree food.



Reversible Slicing/Shredding Disc
(for use with large bowl only)

Use to shred cheese or to slice or shred a variety of foods (such as potatoes, pepperoni, carrots, celery).



Reversible Fine-Shred/Crinkle-Cut Disc

(optional accessory)

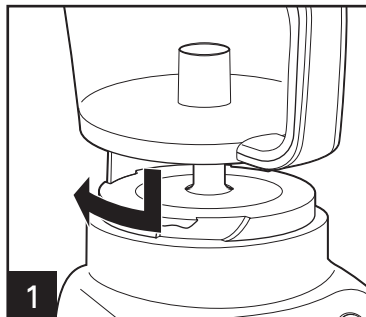
Use to finely shred or crinkle-cut a variety of foods. Finely shred cheese, cabbage, zucchini, or onions. Crinkle-cut carrots, cucumbers, beets, radishes, or peppers.

How to Use Chopping/Mixing Blade

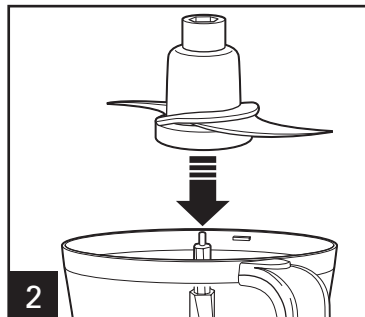
⚠ WARNING Laceration Hazard.
Handle blade carefully; it is very sharp.

Make sure control button is OFF (O) and unit is unplugged.

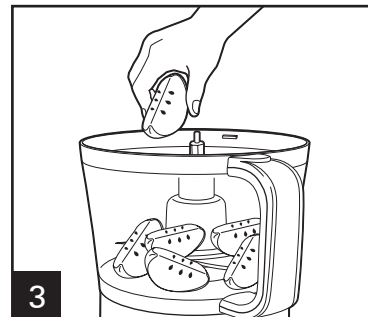
NOTE: Operate using only one blade or disc at a time.



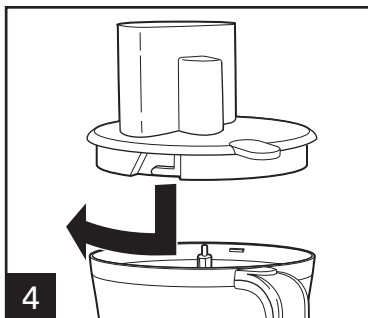
1 Align bowl and base. Turn bowl clockwise to lock into place. **NOTE:** Unit will not work unless bowl is locked.



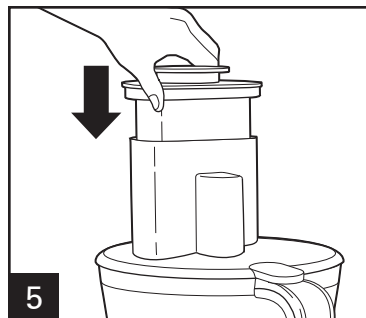
2 Carefully place blade onto motor shaft.



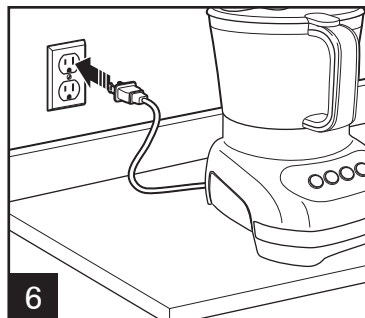
3



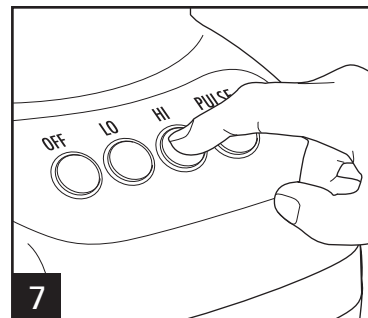
4 Align lid and bowl. Turn lid clockwise to lock into place. **NOTE:** Unit will not work unless lid is locked.



5 Place large food pusher with small food pusher in food chute. **Always use food pusher to feed food into the chute. NEVER PUSH FOOD THROUGH CHUTE WITH FINGERS OR OTHER OBJECTS.**

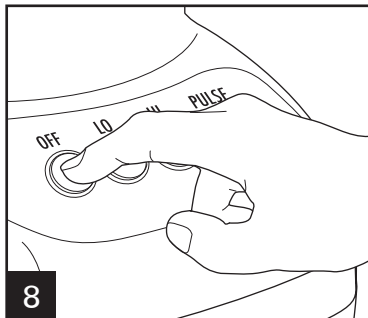


6

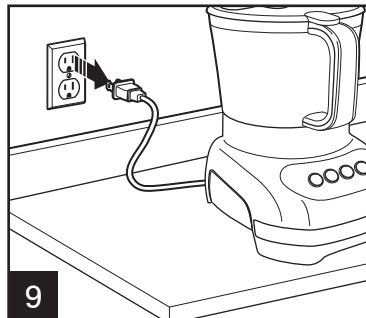


7 Push the desired speed button: OFF, LO, HI, or PULSE (P).

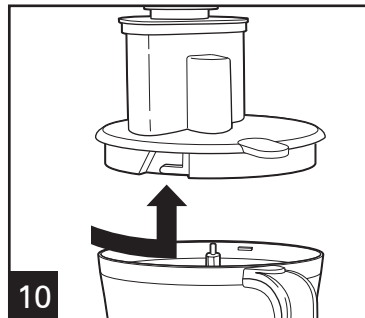
How to Use Chopping/Mixing Blade (cont.)



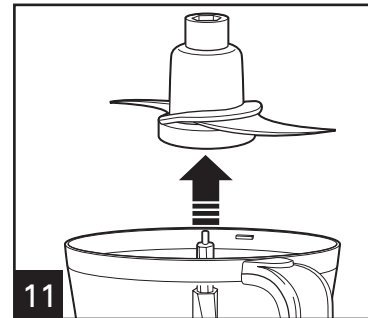
8 When finished, press the **OFF** (○) button.



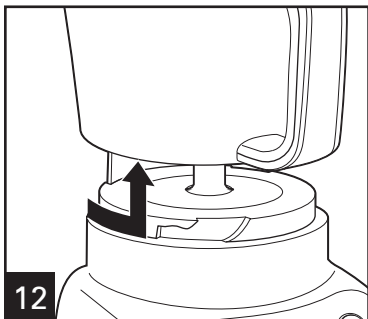
9 **⚠ WARNING Laceration Hazard:** Always wait until blade has stopped moving before removing lid.



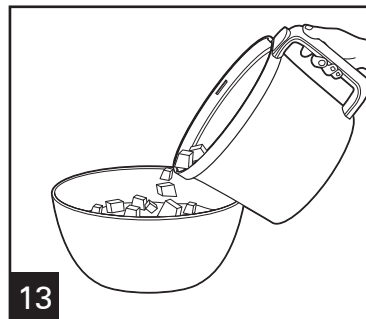
10 Turn lid counterclockwise to unlock lid.



11 Carefully remove blade from motor shaft.



12



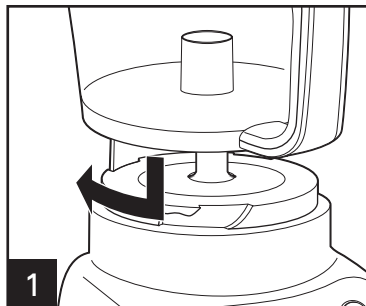
13

How to Use Slicing/Shredding Disc and Optional Reversible Fine-Shred/Crinkle-Cut Disc (with Large Bowl only)

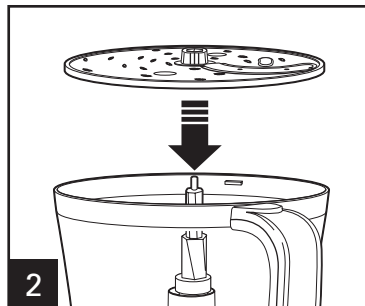
⚠ WARNING Laceration Hazard. Handle blade carefully; it is very sharp.

Make sure control button is OFF (●) and unit is unplugged.

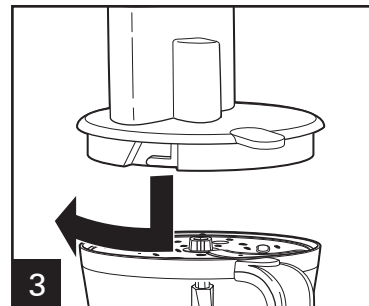
NOTE: Operate using only one blade or disc at a time.



1

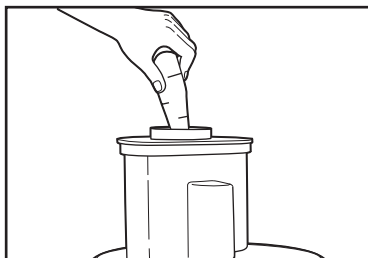


2



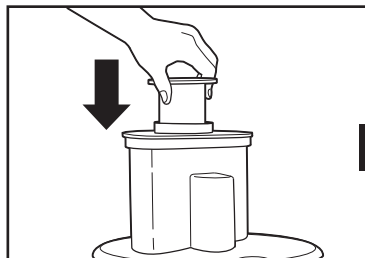
3

Align large bowl and base. Turn large bowl clockwise to lock into place. **NOTE:** Unit will not work unless large bowl is locked. Carefully place slicing/shredding disc or optional fine-shred/crinkle-cut disc onto motor shaft with desired side facing UP. ("SLICE" or "SHRED" is stamped on each side of the blade.) Align lid and large bowl. Turn lid clockwise to lock into place. **NOTE:** Unit will not work unless lid is locked.



4A SMALLER, THINNER FOODS

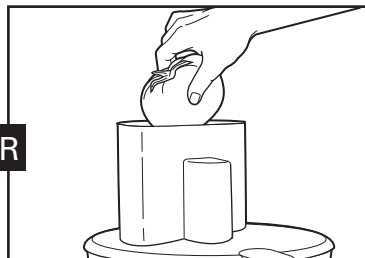
Put large food pusher into place. Place food into open tube of large food pusher.



SMALLER, THINNER FOODS

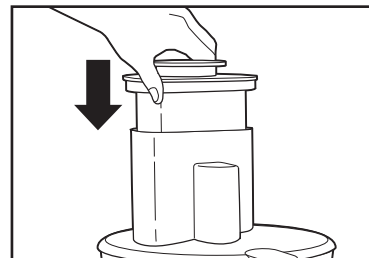
Push small, thin food with small food pusher. **NEVER PUSH FOOD THROUGH CHUTE WITH FINGERS OR OTHER OBJECTS.**

OR



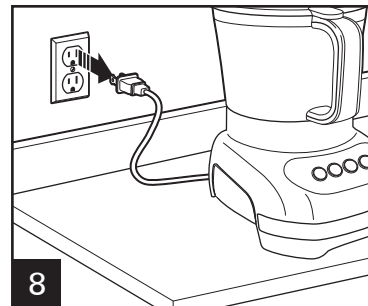
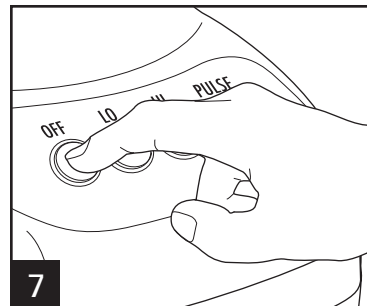
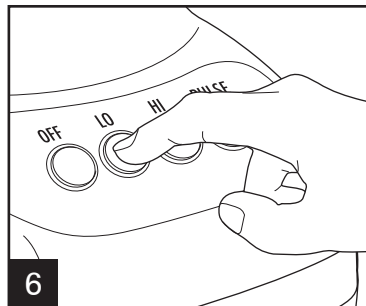
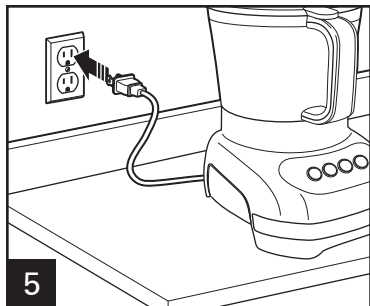
4B LARGER FOODS

For larger foods: Push large foods using large and small food pushers together. **NOTE:** Unit will not operate until large food pusher engages the protective interlock. Do not add food above the MAX fill line. **⚠ WARNING LACERATION HAZARD: ALWAYS USE FOOD PUSHER TO FEED FOOD INTO THE CHUTE. NEVER PUSH FOOD THROUGH CHUTE WITH HANDS OR OTHER OBJECTS.**



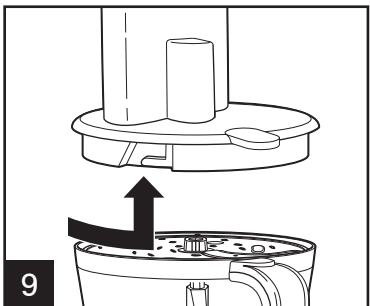
LARGER FOODS

How to Use Slicing/Shredding Disc and Optional Reversible Fine-Shred/Crinkle-Cut Disc (with Large Bowl only) (cont.)

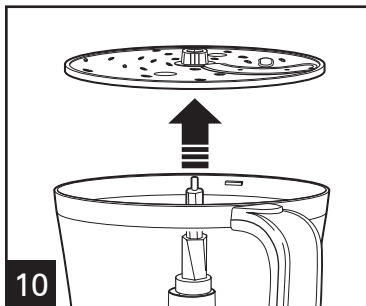


Push the desired speed button: **LO** or **HI**. **NOTE:** **LO** is recommended for most foods when using the slicing/shredding disc or fine-shred/crinkle-cut disc. When finished, press the **OFF (O)** button.

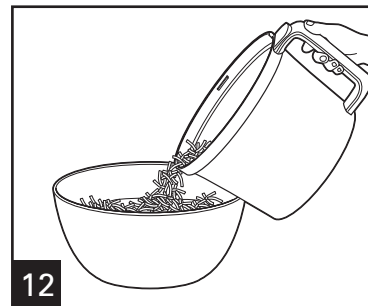
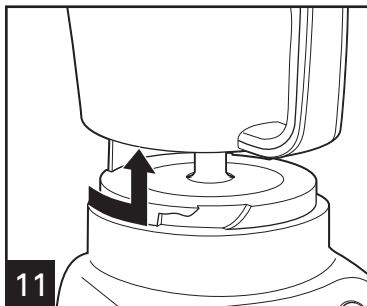
⚠ WARNING Laceration Hazard: Always wait until blade has stopped moving before removing lid.



Turn lid counterclockwise to unlock lid.



Carefully remove blade from motor shaft.



Tips and Techniques

- For a more uniform consistency, start with pieces of food that are similar in size. Cut food into 1-inch (2.5 cm) pieces before processing with chopping/mixing blade.
- This food processor is excellent to chop, mix, slice, or shred most foods. However, to maintain peak performance, do not use your food processor for the following: grinding grain, coffee beans, or spices; slicing frozen meats; kneading dough; or crushing ice.
- When chopping foods, pulsing on and off will produce the best results.
- Operating time will depend on quantity of food being processed. Most foods can be sliced, chopped, or shredded in seconds. If unit is operated continuously for an extended period of time, let the processor rest about 4 minutes before continuing.
- Do not puree or mash starchy vegetables like potatoes as they are easily overprocessed and will become gummy.
- To slice or shred cheese, use only firm cheese like cheddar, Monterey Jack, or Swiss that has been chilled for at least 30 minutes.
- The reversible slicing/shredding disc and reversible fine-shred/crinkle-cut disc have a slicing blade on one side and shredding teeth on the other and can only be used with the large bowl. The name engraved on the blade, facing up, is the function selected. For slicing, the word "SLICE" should face up; for shredding, the word "SHRED" should face up. Place on motor shaft with desired cutting edge facing up.
- To julienne vegetables, slice, remove from bowl, and restack the vegetables. Pack into food chute with slices vertical. Slice again to make matchstick-cut vegetables.

Processing Charts

Disc attachments are reversible and labeled. The label should face up for the desired function. When using disc attachments, do not process past the MAX LEVEL on the bowl.

ATTACHMENT	FOODS
Chopping/Mixing Blade	Chop: Nuts, meat, garlic, onions, peppers, celery, herbs, bread (for crumbs), crackers Mince/Puree: Vegetables, fruit Mix: Salad dressings Puree: Soups, sauces Grate: Cheese, such as Parmesan (chilled)
Slicing Disc or Optional Crinkle-Cut Disc ("SLICE" side facing UP)	Cucumbers, apples, mushrooms, carrots, potatoes, cabbage, tomatoes, pepperoni, peppers, radishes, firm cheeses (chilled)
Shredding Disc or Optional Fine-Shred Disc ("SHRED" side facing UP)	Cabbage, potatoes, carrots, cheese (chilled)

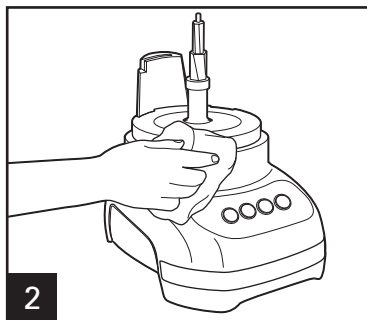
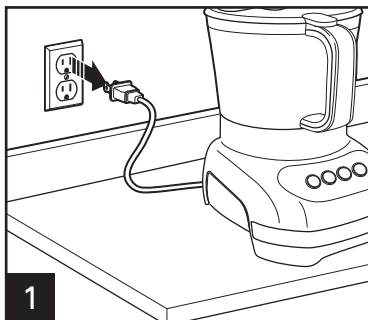
For best results do not exceed the following amounts when chopping, mincing, or pureeing with the chopping/mixing blade.

FOOD	MAXIMUM AMOUNT
Fruits and Vegetables	2 to 3 cups (500 to 750 ml) (cut into 1-in. [2.5-cm] cubes)
Meats	2 lb. (900 g) (cut into 1-in. [2.5-cm] cubes)
Parmesan or Romano	5 ounces (140 g) (cut into 1-in. [2.5-cm] cubes)
Cheddar, Jack, Mozzarella	8 ounces (226 g) (cut into 1-in. [2.5-cm] cubes)
Crackers	Full bowl

Cleaning and Care

⚠ WARNING Electrical Shock Hazard.

Disconnect power before cleaning. Do not immerse cord, plug, or base in any liquid.



Wipe base, control panel, and cord with a damp cloth or sponge. If necessary, use a mild nonabrasive cleanser.



DO NOT use the "SANI" setting when washing in the dishwasher. "SANI" cycle temperatures could damage your product. Removable parts may also be washed by hand in hot, soapy water. Use care when hand-washing sharp edges.

Troubleshooting

PROBLEM	PROBABLE CAUSE
Unit does not operate on any speed or Pulse.	<ul style="list-style-type: none">• Is the unit plugged in? Does the outlet work?• Are the bowl(s) and lid locked in place and large food pusher in food chute? See “How to Use” sections.
Food is not chopped, sliced or shredded uniformly.	<ul style="list-style-type: none">• Packing too much food in the food chute or pushing too hard on the food pusher may cause the processed food to be irregularly sliced or shredded.• Recommended speed for slicing and shredding disc should be LO for cheeses and LO or HI for vegetables or fruit.• Refer to the food processing charts for recommended sizes, speeds, and quantities.
Unit stops and will not come back on.	<ul style="list-style-type: none">• Are the bowl(s) and lid locked in place and large food pusher in food chute? They may have moved slightly during processing. See “How to Use” sections.• Is the outlet still working? Check it by plugging in a working lamp or other appliance. You may have overloaded the circuit and blown a fuse or tripped the circuit breaker.• Turn unit OFF (●), allow to stand for 3 to 4 minutes, and then turn back ON. If none of these suggestions correct the problem, DO NOT attempt to repair the unit. Call the Customer Service number to get the name of your nearest Authorized Service Center.
Unit has a burning smell.	<ul style="list-style-type: none">• There may be a residue left on the motor from the manufacturing process, causing a slight odor during initial use. This will go away. If a strong odor or any visible smoke appears, unplug unit IMMEDIATELY and call the Customer Service number.
Motor seems weak.	<ul style="list-style-type: none">• Are you using the recommended food size and quantity to be processed? Refer to the Food Processing Charts for recommended food sizes and speeds.
It is difficult to remove lid from bowl(s) or bowl(s) from base.	<ul style="list-style-type: none">• After washing in the dishwasher, allow parts to return to room temperature prior to placing on base. A small amount of vegetable oil may be placed on snaps for easy removal.

Limited Warranty

This warranty applies to products purchased in the U.S. and Canada. This is the only express warranty for this product and is in lieu of any other warranty or condition.

This product is warranted to be free from defects in material and workmanship for a period of five (5) years from the date of original purchase in Canada and one (1) year from the date of original purchase in the U.S. During this period, your exclusive remedy is repair or replacement of this product or any component found to be defective, at our option; however, you are responsible for all costs associated with returning the product to us and our returning a product or component under this warranty to you. If the product or component is no longer available, we will replace with a similar one of equal or greater value.

This warranty does not cover glass, filters, wear from normal use, use not in conformity with the printed directions, or damage to the product resulting from accident, alteration, abuse, or misuse. This warranty extends only to the original consumer purchaser or gift recipient. Keep the original sales receipt, as proof of purchase is required to make a warranty claim. This warranty is void if the product is used for other than single-family household use or subjected to any voltage and waveform other than as specified on the rating label (e.g., 120V ~ 60 Hz).

We exclude all claims for special, incidental, and consequential damages caused by breach of express or implied warranty. All liability is limited to the amount of the purchase price. **Every implied warranty, including any statutory warranty or condition of merchantability or fitness for a particular purpose, is disclaimed except to the extent prohibited by law, in which case such warranty or condition is limited to the duration of this written warranty.** This warranty gives you specific legal rights. You may have other legal rights that vary depending on where you live. Some states or provinces do not allow limitations on implied warranties or special, incidental, or consequential damages, so the foregoing limitations may not apply to you.

To make a warranty claim, do not return this appliance to the store. Please call 1.800.851.8900 in the U.S. or 1.800.267.2826 in Canada or visit hamiltonbeach.com in the U.S. or hamiltonbeach.ca in Canada. For faster service, locate the model, type, and series numbers on your appliance.

PRÉCAUTIONS IMPORTANTES

Pour utiliser un appareil électroménager, vous devez toujours prendre des mesures élémentaires de sécurité pour réduire le risque d'incendie, d'électrocution et/ou de blessure corporelle, en particulier les mesures suivantes :

1. Lire et conserver toutes les instructions.
2. Cet appareil n'est pas destiné à être utilisé par des personnes dont les capacités physiques, sensorielles ou mentales sont réduites, ou manquant d'expérience et de connaissance, sauf si elles sont étroitement surveillées et instruites sur l'utilisation de l'appareil par une personne responsable de leur sécurité. de l'appareil par une personne responsable de leur sécurité.
3. Cet appareil ne devrait pas être utilisé par des enfants. Garder l'appareil et son cordon hors de la portée des enfants.
4. Une surveillance étroite est requise pour tout appareil utilisé près des enfants. Surveiller que les enfants ne jouent pas avec l'appareil.
5. Pour éviter les risques d'électrocution, ne pas immerger la base, le moteur, le cordon et la fiche dans l'eau ou tout autre liquide.
6. Fermer l'appareil (○), puis le débrancher de la prise lorsqu'il n'est pas utilisé, avant d'assembler ou de désassembler des pièces ou avant de le nettoyer. Pour le débrancher, tenir la fiche et la retirer de la prise. Ne jamais tirer sur le cordon.
7. Éviter de toucher des pièces mobiles.
8. Ne pas faire fonctionner un appareil électroménager avec un cordon ou une fiche endommagée, ou lorsque l'appareil ne fonctionne pas bien ou a été échappé ou endommagé d'une manière quelconque. Le remplacement et la réparation du cordon d'alimentation doivent être faits par le fabricant, son agent de service ou toute personne qualifiée de façon à éviter tout danger. Appeler le numéro de service à la clientèle fourni pour des renseignements concernant l'examen, la réparation ou l'ajustement.
9. L'utilisation d'accessoires non recommandés par le fabricant ou vendus par le fabricant de l'appareil peut provoquer un incendie, une électrocution ou des blessures.
10. Ne pas utiliser votre robot culinaire avec des pièces brisées.
11. Ne pas utiliser cet appareil à l'extérieur.
12. Ne pas laisser pendre le cordon de la table ou du comptoir et éviter tout contact avec les surfaces chaudes.
13. Tenir les mains et les ustensiles éloignés d'une lame et d'un disque en mouvement pendant la transformation des aliments pour éviter les blessures graves et les dommages au robot culinaire. Un racloir en plastique peut être utilisé, mais **UNIQUEMENT** pendant l'arrêt du robot culinaire.
14. La lame et le disque sont coupants. Manipuler avec soins. Ranger hors de la portée des enfants.
15. Pour éviter les risques de blessures, ne jamais placer la lame de coupe ou un disque sur le socle sans avoir préalablement installé le récipient correctement.
16. S'assurer que le couvercle est en place et bien verrouillé avant de faire fonctionner l'appareil.
17. Ne jamais introduire d'aliments dans l'entonnoir avec les mains. Toujours utiliser les poussoirs.
18. Ne pas tenter de démonter le mécanisme de verrouillage.
19. S'assurer que la lame ou le disque effectue un arrêt complet avant de retirer le couvercle.
20. Pour éviter les risques de blessures, s'assurer d'installer ou de retirer la lame et le disque en utilisant les embouts fournis à cet effet. Utiliser la prudence lors du retrait de la lame ou du disque du récipient, pendant le vidage du récipient et lors du nettoyage.
21. S'assurer que le commutateur est en position d'arrêt (○) après chaque utilisation. Toujours utiliser les poussoirs pour désobstruer l'entonnoir. Lorsque cette méthode est impossible, débrancher le cordon de la prise et démonter le récipient pour retirer les aliments coincés.
22. Cet appareil n'est pas conçu pour une utilisation commerciale, professionnelle ou industrielle. Cet appareil est uniquement conçu pour une utilisation domestique.

23. Ne jamais prolonger le temps de fonctionnement de cet appareil ou utiliser des quantités d'aliments supérieures aux recommandations du fabricant. Voir le chapitre « Tableaux de transformation ».
24. La valeur nominale de cet appareil repose uniquement sur l'utilisation de la lame à hacher/mélanger. L'utilisation du disque à trancher/râper exige est moins énergivore.
25. Ne pas placer sur ou près d'un brûleur à gaz ou électrique chaud ou dans un four chaud.
26. N'utiliser cet appareil que pour les fonctions auxquelles il est destiné.
27. S'assurer que l'appareil est OFF (●/arrêt) avant de brancher la fiche dans la prise de courant. Pour débrancher, tourner la commande à et mettre à OFF (●/arrêt) puis débrancher la fiche de la prise de courant. Pour débrancher, saisir la fiche et la retirer de la prise. Ne pas tirer sur le cordon d'alimentation.
28. **ATTENTION !** Afin d'éviter un danger découlant d'une réinitialisation accidentelle du rupteur thermique, se dispositif ne doit pas être alimenté par l'entremise d'un appareil de connexion externe, comme une minuterie, ou connecté à un circuit qui est régulièrement mis sous et hors tension par le service public.
29. Soyez prudent lorsque vous versez un liquide chaud dans le bol du robot culinaire, car il peut éclabousser hors de l'appareil en raison de la production d'une vapeur soudaine.

CONSERVER CES INSTRUCTIONS

AUTRE CONSIGNE DE SÉCURITÉ POUR LE CONSOMMATEUR

Cet appareil est conçu pour une utilisation domestique seulement.

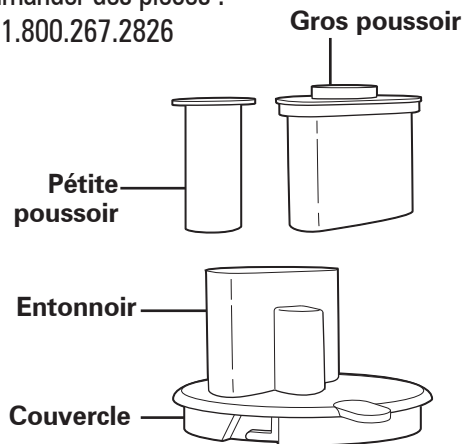
⚠ AVERTISSEMENT **Risque d'électrocution** : Cet appareil électroménager possède une fiche polarisée (une broche large) qui réduit le risque d'électrocution. Cette fiche n'entre que dans un seul sens dans une prise polarisée. Ne contrecarrez pas l'objectif sécuritaire de cette fiche en la modifiant de quelque manière que ce soit ou en utilisant un adaptateur. Si vous ne pouvez pas insérer complètement la fiche dans la prise, inversez la fiche. Si elle refuse toujours de s'insérer, faire remplacer la prise par un électricien.

La longueur du cordon installé sur cet appareil a été sélectionnée afin de réduire les risques d'enchevêtrement ou de faux pas causés par un fil trop long. L'utilisation d'une rallonge approuvée est permise si le cordon est trop court. Les caractéristiques électriques de la rallonge doivent être équivalentes ou supérieures aux caractéristiques de l'appareil. Prendre toutes les précautions nécessaires pour installer la rallonge de manière à ne pas la faire courir sur le comptoir ou sur une table pour éviter qu'un enfant ne tire sur le cordon ou trébuche accidentellement.

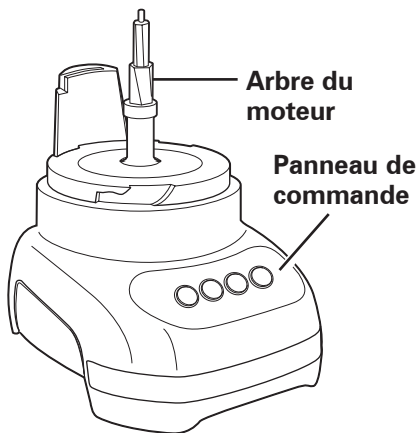
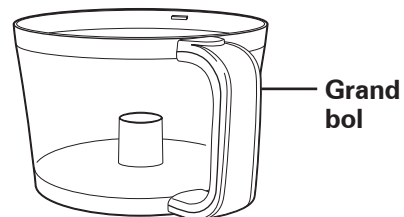
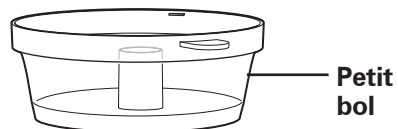
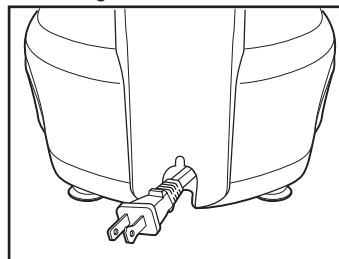
Pour éviter la surcharge du circuit électrique, ne pas utiliser un autre appareil à haute puissance sur le même circuit que cet appareil.

Pièces et caractéristiques

Pour commander des pièces :
Canada : 1.800.267.2826



Rangement interne du cordon
(rangée derrière la base)



AVANT LA PREMIÈRE UTILISATION : Déballage du robot culinaire. Manipuler la lame et les disques avec soins; elles sont très coupantes. Laver toutes les pièces, sauf le socle, à l'eau chaude savonneuse. Rincer et sécher.



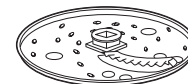
Lame à hacher/mélanger

Utiliser pour hacher et émincer grossièrement, mélanger ou mettre des aliments en purée jusqu'à consistance lisse.



Disque à trancher/râper réversible (uniquement à utiliser avec un grand bol)

Utiliser ce disque pour râper le fromage ou couper en tranches or raper un assortiment d'aliments (comme pommes de terre, saucisson épicé, carottes, céleri).



Disque réversible pour hacher fin/couper en morceaux ondulés (accessoire en option)

Utiliser pour hacher finement ou couper en morceaux ondulés une variété d'aliments (fromage, chou, courgettes ou oignons finement râpés ; carottes, concombres, betteraves, raidis ou poivrons en coupe ondulée).

Utilisation de la lame à hacher/mélanger

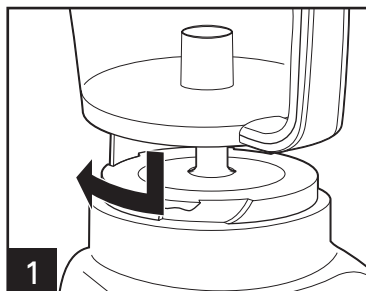
⚠ AVERTISSEMENT

Risque de déchirures.

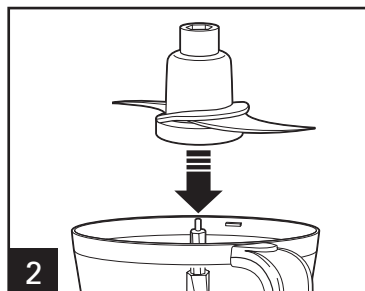
Tenir la lame avec soins; elle est très coupante.

S'assurer que le bouton de commande est en position d'ARRÊT (○) et que l'appareil est débranché.

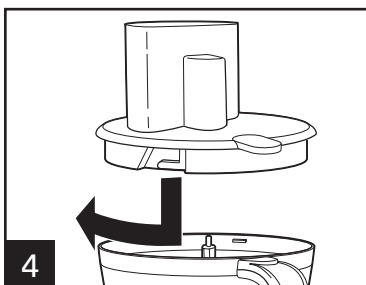
NOTE : N'utiliser qu'une seule lame ou un seul disque à la fois.



1 Aligner le bol au socle. Tourner le bol dans le sens des aiguilles d'une montre pour le verrouiller en place.
NOTE : L'appareil ne fonctionne que si le bol est verrouillé.



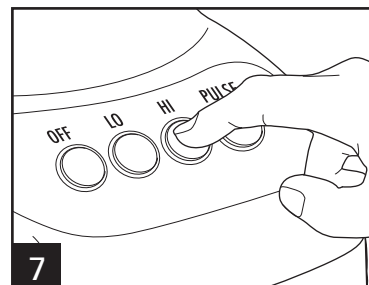
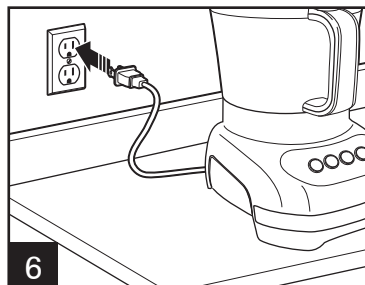
2 Placer soigneusement la lame sur l'arbre du moteur.



4 Aligner le bol et couvercle. Tourner le couvercle dans le sens des aiguilles d'une montre pour verrouiller en place.
NOTE : L'appareil ne fonctionne que si le couvercle est verrouillé.

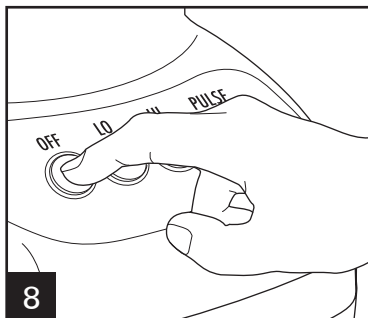


5 Insérer le gros poussoir et le petit poussoir dans l'entonnoir. **Utiliser toujours le poussoir pour charger les aliments dans l'entonnoir. NE JAMAIS INTRODUIRE D'ALIMENTS DANS L'ENTONNOIR AVEC LES DOIGTS OU D'AUTRES OBJETS.**

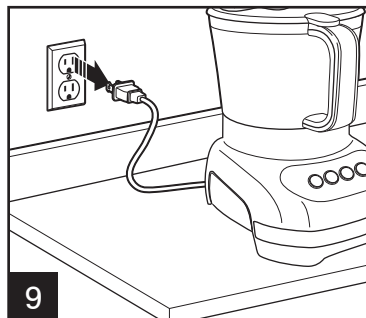


7 Pousser le bouton de la vitesse désirée : **LO** (faible), **HI** (élevée) ou **PULSE** (P) (impulsion).

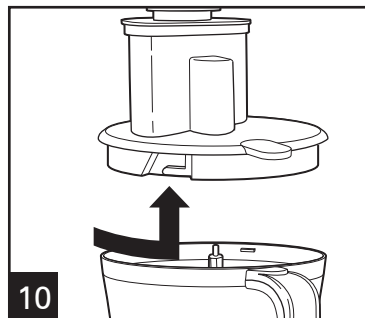
Utilisation de la lame à hacher/mélanger (suite)



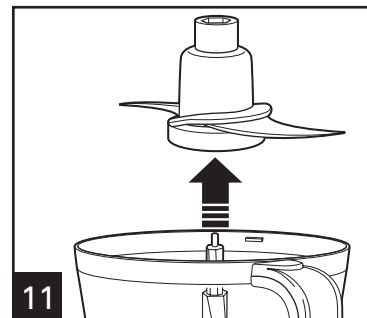
8 Mettre hors tension (OFF/○) dès la fin de l'utilisation.



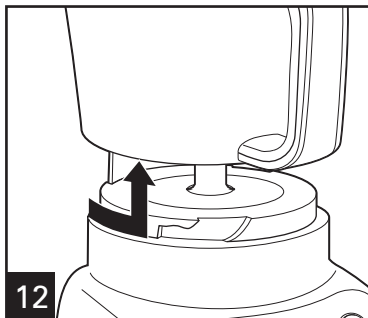
9 **⚠ AVERTISSEMENT Risque de déchirures** : Attendre la fin de la rotation de la lame avant de retirer le couvercle.



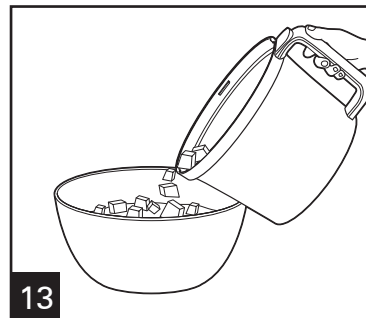
10 Tourner le couvercle dans le sens contraire aux aiguilles d'une montre pour le déverrouiller.



11 Retirer soigneusement la lame de l'arbre du moteur.



12



13

Utilisation du disque à trancher/râper et Disque réversible pour hacher fin/couper en morceaux ondulés (uniquement avec un grand bol)

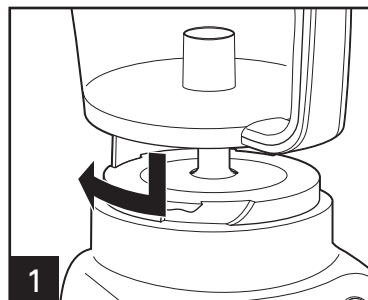
⚠ AVERTISSEMENT

Risque de déchirures.

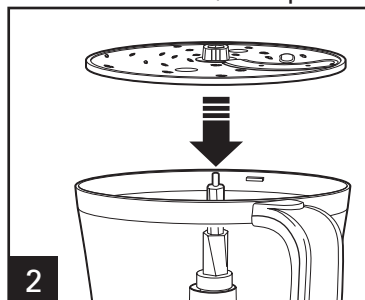
Tenir la lame avec soins; elle est très coupante.

S'assurer que le bouton de commande est en position d'ARRÊT (○) et que l'appareil est débranché.

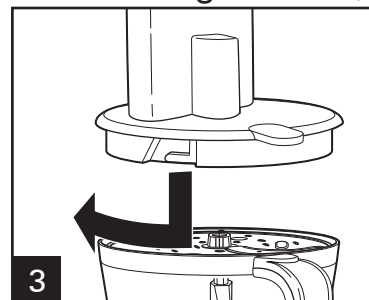
NOTE : N'utiliser qu'une seule lame ou un seul disque à la fois.



1



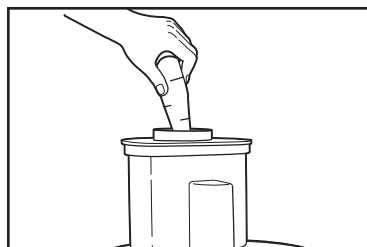
2



3

Aligner le grand bol au socle. Tourner le grand bol dans le sens des aiguilles d'une montre pour le verrouiller en place.

NOTE : L'appareil ne fonctionne que si le grand bol est verrouillé. Placer soigneusement le disque à trancher/râper ou disque pour hacher fin/couper en morceaux ondulés sur l'arbre du moteur en plaçant la face désirée vers le HAUT. (La lame est gravée des mots « SLICE » [trancher] ou « SHRED » [râper] de chaque côté de la lame). Aligner le grand bol et couvercle. Tourner le couvercle dans le sens des aiguilles d'une montre pour verrouiller en place. **NOTE** : L'appareil ne fonctionne que si le couvercle est verrouillé.



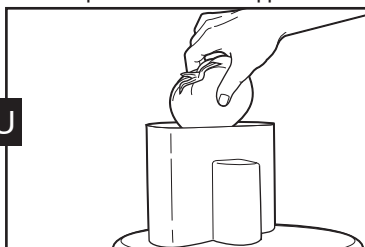
4A ALIMENTS PLUS PETITS ET PLUS MINCES

Placer le gros poussoir correctement. Insérer les aliments dans l'orifice du tube de gros poussoir.



ALIMENTS PLUS PETITS ET PLUS MINCES

OU

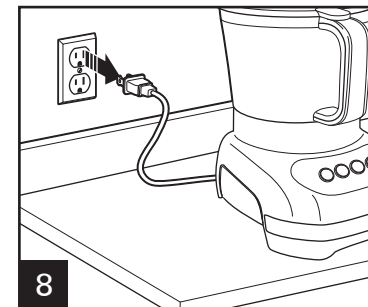
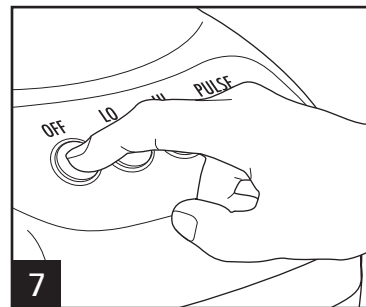
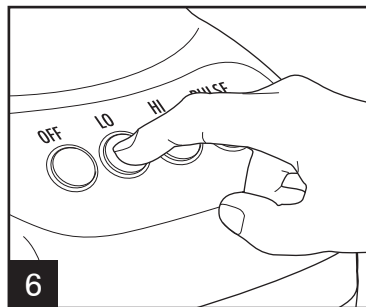
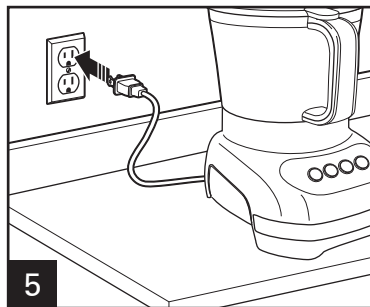


4B ALIMENTS VOLUMINEUX

Aliments plus gros : Pousser les gros aliments à l'aide du grand et du petit poussoirs ensemble. **NOTE** : L'appareil ne fonctionnera pas tant que le grand poussoir ne sera pas introduit dans le verrouillage de protection. Ne pas remplir d'aliments au-dessus de la ligne de remplissage maximale (MAX).

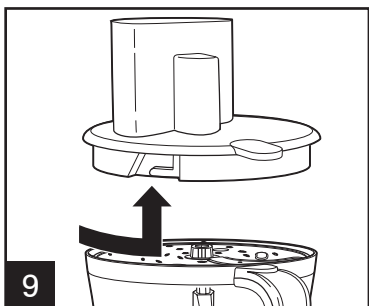
⚠ AVERTISSEMENT
RISQUE DE DÉCHIRURES : UTILISER TOUJOURS LE POUSSOIR POUR CHARGER LES ALIMENTS DANS L'ENTONNOIR. NE JAMAIS INTRODUIRE D'ALIMENTS DANS L'ENTONNOIR AVEC LES MAINS OU D'AUTRES OBJETS.

Utilisation du disque à trancher/râper et Disque réversible pour hacher fin/couper en morceaux ondulés (uniquement avec un grand bol)(suite)

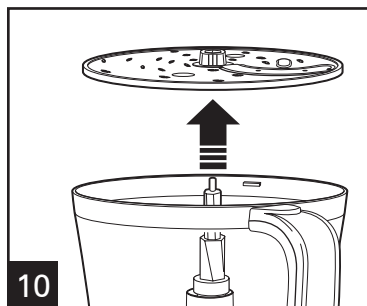


Pousser le bouton de la vitesse désirée : **LO** (faible) ou **HI** (élevée). **NOTE** : **LO** (faible) est recommandé pour la plupart des aliments lors de l'utilisation du disque à trancher/râper ou disque à hacher fin/couper en morceaux ondulés. Mettre hors tension **OFF** (O) dès la fin de l'utilisation.

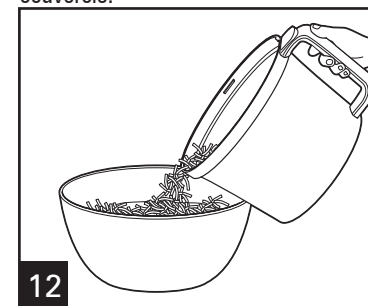
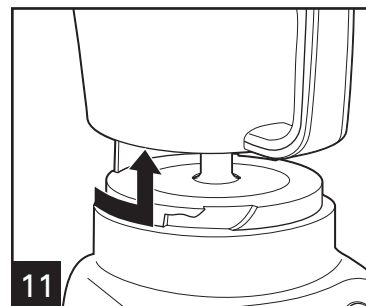
⚠ AVERTISSEMENT Risque de déchirures : Attendre la fin de la rotation de la lame avant de retirer le couvercle.



Tourner le couvercle dans le sens contraire aux aiguilles d'une montre pour le déverrouiller.



Retirer soigneusement le disque de l'arbre du moteur.



Conseils et méthodes

- Pour obtenir une consistance uniforme, commencer par les morceaux d'aliments de même taille. Couper les aliments en morceaux de 2,5 cm (1 po) avant de les transformer avec la lame à hacher/mélanger.
- Ce robot culinaire est idéal pour hacher, mélanger, trancher ou râper la plupart des aliments. Toutefois, pour maintenir une performance optimale, ne pas utiliser le robot culinaire pour exécuter les tâches suivantes : moulin des graines, grains de café ou épices, trancher de la viande congelée, pétrir la pâte, ou concasser de la glace.
- Pour hacher les aliments et obtenir des résultats optimaux, utiliser le mode d'impulsion en alternant la marche/arrêt.
- Le temps de fonctionnement dépend de la quantité d'aliments à transformer. La plupart des aliments peuvent être tranchés, hachés ou râpés en quelques secondes. Si l'appareil est utilisé pour une période de temps prolongée, laisser reposer le robot culinaire pendant 4 minutes approximativement avant de poursuivre.
- Ne pas mettre en purée ou piler des légumes comme les pommes de terre, car leur surtransformation est rapide et la texture deviendra collant.
- Pour trancher ou râper du fromage, choisir des fromages fermes comme le cheddar, Monterey Jack ou le suisse ayant été refroidi pendant au moins 30 minutes.
- Le disque à trancher/râper réversible et le disque pour hacher fin/couper en morceaux ondulés réversible possèdent une face avec une lame pour trancher et une autre avec des dents pour hacher et ne peut s'utiliser qu'avec un grand bol. Le nom gravé sur la lame, face vers le haut, est la fonction correspondante. Pour trancher, le mot « SLICE » doit être placé vers le haut ; pour râper, le mot « SHRED » doit être placé vers le haut. Placer sur l'arbre du moteur et plaçant la face de coupe désirée vers le haut.
- Pour couper des légumes en julienne, trancher les légumes puis les retirer du récipient et les replacer. Remettre dans l'entonnoir en plaçant les tranches à la verticale. Trancher à nouveau pour obtenir des légumes coupés en julienne fine.

Tableaux de transformation

Les disques accessoires sont réversibles et identifiés. Cette étiquette doit se retrouver vers le HAUT pour obtenir la fonction désirée. Ne pas dépasser le niveau de remplissage maximal (MAX LEVEL) indiqué sur le récipient lors de l'utilisation des disques accessoires.

ACCESSOIRES

Lame à hacher/mélanger

Disque à tranche o disque pour couper en morceaux ondulés (face à « SLICE » [trancher] vers le HAUT)

Disque à râper o disque pour hacher fin (face à « SHRED » [râper] vers le HAUT)

ALIMENTS

Couper en morceaux : les noix, la viande, l'ail, les oignons, les poivrons, le céleri, les fines herbes, le pain (pour des miettes) et des craquelins
Émincer/passé en purée : les légumes et les fruits
Mélanger : les vinaigrettes
Passer en purée : les soupes et les sauces
Râper : le fromage tel que le Parmesan (refroidi)

Les concombres, les pommes, les champignons, les carottes, les pommes de terre, le choi, les tomates, les saucissons, les poivrons, les radis, les fromages à pâte ferme (refroidis)

Le choi, les pommes de terre, les carottes, le fromage (refroidi)

Pour des résultats optimaux, ne pas excéder les quantités suivantes pour hacher, émincer ou mettre en purée à l'aide de la lame à hacher/mélanger.

ALIMENT

Fruits et légumes

Viandes

Parmesan ou Romano

Cheddar, Monterey Jack, Mozzarella

Craquelins

QUANTITÉ MAXIMALE

2 à 3 tasses (500 ml à 750 ml)
(couper en cubes de 1 po [2,5-cm])

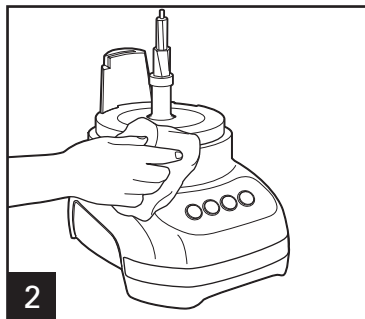
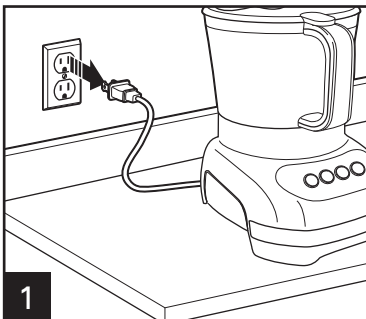
2 lb. (900 g) (couper en cubes de 1 po [2,5-cm])

5 oz. (140 g) (couper en cubes de 1 po [2,5-cm])

8 oz. (226 g) (couper en cubes de 1 po [2,5-cm])

Bol plein

Nettoyage et entretien



Essuyer le socle, le panneau de commande et le cordon avec un linge humide ou une éponge. Si nécessaire, utiliser un nettoyant doux et non abrasif.

⚠ AVERTISSEMENT Risque d'électrocution.

Débrancher l'appareil avant le nettoyage. N'immergez pas le cordon, la fiche ou la base dans l'eau.



NE PAS utiliser le réglage "SANI" du lave-vaisselle. Les températures du cycle "SANI" peuvent endommager le produit. Les pièces amovibles peuvent également être lavées à la main avec de l'eau chaude savonneuse. Utiliser la prudence lors du lavage à la main des arêtes coupantes.

Dépannage

PROBLÈME

Les vitesses et le mode d'impulsion de l'appareil ne fonctionnent pas.

Les aliments ne sont pas hachés, tranchés ou râpés uniformément.

L'appareil s'arrête et refuse de fonctionner.

L'appareil dégage une odeur de brûlé.

Le régime du moteur semble faible.

Il est difficile de retirer le couvercle des bols ou les bols de la base.

CAUSE POSSIBLE

- L'appareil est-il branché ? La prise fonctionne-t-elle ?
- Est-ce que le(s) récipient(s), le couvercle ainsi que l'entonnoir sont verrouillés et le gros poussoir dans l'entonnoir ? Voir le chapitre « Utilisation ».
- Une trop grande quantité d'aliments dans l'entonnoir ou une trop forte pression sur les poussoirs peut provoquer une transformation irrégulière lors du tranchage ou du râpage.
- La vitesse recommandée pour le disque du hachoir et de la râpe doit être **LO** (faible) pour les fromages et **LO** (faible) ou **HI** (élevée) pour les légumes ou les fruits.
- Voir les tableaux de transformation pour les tailles, vitesses et quantités recommandées.
- Est-ce que le récipient, le couvercle ainsi que l'entonnoir sont verrouillés et le gros poussoir dans l'entonnoir ? Ces éléments peuvent avoir été légèrement déplacés pendant la transformation. Voir le chapitre « Utilisation ».
- Est-ce que la prise est fonctionnelle ? Vérifier son fonctionnement avec une lampe ou un autre appareil. Le circuit a probablement été surchargé et fait sauté un fusible ou déclenché un disjoncteur.
- Mettre l'appareil hors tension (OFF/O) et attendre de 3 à 4 minutes puis remettre sous tension (ON). Si aucune de ces solutions ne corrigent le problème, NE PAS tenter de réparer l'appareil. Appelez la ligne sans frais du Service à la clientèle pour obtenir les coordonnées du centre de service autorisé le plus près de chez vous.
- Un résidu de fabrication peut se trouver sur le moteur et occasionner une légère odeur de brûlé au cours de la première utilisation. Ceci ne se reproduira plus. Si une forte odeur et une fumée se dégagent, débrancher l'appareil et appelez IMMÉDIATEMENT la ligne sans frais du Service à la clientèle.
- Est-ce que le format et la quantité de transformation sont respectés ? Voir les tableaux de transformation pour obtenir les formats d'aliments recommandés et les vitesses.
- Après le lavage au lave-vaisselle, laisser les pièces refroidir à la température ambiante avant de les remonter sur la base. Une petite quantité d'huile végétale peut être appliquée sur les taquets pour faciliter le retrait.

Notes

Garantie limitée

Cette garantie s'applique aux produits achetés aux É.-U. et au Canada. C'est la seule garantie expresse pour ce produit et est en lieu et place de tout autre garantie ou condition.

Ce produit est garanti contre tout défaut de matériaux et de main-d'oeuvre pour une période des cinq (5) ans à compter de la date d'achat d'origine au Canada et un (1) an à compter de la date d'achat d'origine aux É.-U. Au cours de cette période, votre seul recours est la réparation ou le remplacement de ce produit ou tout composant s'avérant défectueux, à notre gré, mais vous êtes responsable de tous les coûts liés à l'expédition du produit et le retour d'un produit ou d'un composant dans le cadre de cette garantie. Si le produit ou un composant n'est plus offert, nous le remplacerons par un produit similaire de valeur égale ou supérieure.

Cette garantie ne couvre pas le verre, les filtres, l'usure d'un usage normal, l'utilisation non conforme aux directives imprimées, ou des dommages au produit résultant d'un accident, modification, utilisation abusive ou incorrecte. Cette garantie s'applique seulement à l'acheteur original ou à la personne l'ayant reçu en cadeau. La présentation du reçu de vente d'origine comme preuve d'achat est nécessaire pour faire une réclamation au titre de cette garantie. Cette garantie s'annule si le produit est utilisé autrement que par une famille ou si l'appareil est soumis à toute tension ou forme d'onde différente des caractéristiques nominales précisées sur l'étiquette (par ex. : 120 V ~ 60 Hz).

Nous excluons toutes les réclamations au titre de cette garantie pour les dommages spéciaux, consécutifs et indirects causés par la violation de garantie expresse ou implicite. Toute responsabilité est limitée au prix d'achat. **Chaque garantie implicite, y compris toute garantie ou condition de qualité marchande ou d'adéquation à un usage particulier, est exonérée, sauf dans la mesure interdite par la loi, auquel cas la garantie ou condition est limitée à la durée de cette garantie écrite.** Cette garantie vous donne des droits légaux précis. Vous pouvez avoir d'autres droits qui varient selon l'endroit où vous habitez. Certaines provinces ne permettent pas les limitations sur les garanties implicites ou les dommages spéciaux ou indirects de telle sorte que les limitations ci-dessus ne s'appliquent peut-être pas à votre cas.

Ne pas retourner cet appareil au magasin lors d'une réclamation au titre de cette garantie. Téléphoner au 1.800.851.8900 aux É.-U. ou au 1.800.267.2826 au Canada ou visiter le site internet www.hamiltonbeach.com aux É.-U. ou www.hamiltonbeach.ca au Canada. Pour un service plus rapide, trouvez le numéro de modèle, le type d'appareil et les numéros de série sur votre appareil.

SALVAGUARDIAS IMPORTANTES

Cuando utilice artefactos eléctricos, siempre deben seguirse precauciones de seguridad básicas a fin de reducir el riesgo de incendio, descarga eléctrica, y/o lesiones a personas, incluyendo las siguientes:

1. Lea y guarde todas las instrucciones.
2. Este aparato no se destina para utilizarse por personas cuyas capacidades físicas, sensoriales o mentales sean diferentes o estén reducidas, o carezcan de experiencia o conocimiento, a menos que dichas personas reciban una supervisión o capacitación para el funcionamiento del aparato por una persona responsable de su seguridad.
3. Este electrodoméstico no debe ser utilizado por niños. Mantenga el electrodoméstico y su cable fuera del alcance de los niños.
4. Se requiere de una estrecha supervisión cuando el aparato se use cerca de niños. Los niños deben supervisarse para asegurar que ellos no empleen los aparatos como juguete.
5. Verifique que el voltaje de su instalación corresponda con el del producto.
6. Para protegerse contra riesgos de descarga eléctrica, no sumerja la base, motor, cable o enchufe en agua u otro líquido.
7. APAGUE el electrodoméstico (●) y, después, desenchúfelo del tomacorriente cuando no esté en uso, antes de armar o desarmar piezas y antes de limpiarlo. Para desenchufarlo, tome el enchufe y retírelo del tomacorriente. Nunca tire del cable eléctrico.
8. Evite contactar partes móviles.
9. No opere ningún aparato con cables o enchufe dañados o después de que el aparato funcione mal o se caiga o dañe de cualquier manera. El reemplazo del cable de suministro y las reparaciones deben ser efectuadas por el fabricante, su agente de servicio, o personas igualmente calificadas para poder evitar un peligro. Llame al número de servicio al cliente proporcionado para información sobre examinación, reparación o ajuste.
10. El uso de aditamentos no recomendados o vendidos por el fabricante del aparato, puede causar fuego, descarga eléctrica o lesión.
11. No use su procesador de alimentos si alguna pieza está quebrada.
12. No use el aparato en exteriores.
13. No deje que el cable cuelgue del borde de una mesa o cubierta o toque superficies calientes.
14. Mantenga las manos y utensilios lejos de la cuchilla móvil y del disco mientras se procesa alimento para reducir el riesgo de lesiones personales severas y/o daño al procesador de alimentos. Se puede usar un raspador de plástico SOLAMENTE cuando el procesador de alimento no funcione.
15. La cuchilla y el disco están afilados. Manéjelo con cuidado. Almacene lejos del alcance de los niños.
16. Para reducir el riesgo de lesiones, nunca coloque la cuchilla cortante o disco en la base sin primero poner el tazón adecuadamente en su lugar.
17. Asegúrese de que la tapa esté abrochada de manera segura en su lugar antes de usar el aparato.
18. Nunca meta el alimento en el ducto con la mano. Siempre use los empujadores de alimento.
19. No intente eliminar el mecanismo de entrebloqueo de la tapa.
20. Asegúrese que la cuchilla o disco se hayan detenido completamente antes de remover la tapa.
21. Para reducir el riesgo de una lesión, asegúrese de insertar o remover la cuchilla y disco usando los concentradores provisto para tal propósito. Tenga cuidado cuando remueva la cuchilla y disco del tazón, cuando vacíe el tazón y cuando limpie.
22. Asegúrese de poner el interruptor en posición de APAGADO (●) después de cada uso. Siempre use los empujadores para vaciar el ducto de alimentos. Cuando este método no sea posible, desconecte el cable de la toma y desensamble la unidad para remover el resto del alimento.

23. El aparato no fue hecho para uso comercial, profesional o industrial. Fue diseñado y construido exclusivamente para uso casero solamente.
24. Nunca use el aparato por un periodo más largo o con una cantidad mayor de ingredientes de los recomendados por el fabricante del aparato. Vea la sección "Tablas de Procesamiento".
25. La clasificación máxima de esta unidad está basada en el uso de la cuchilla picadora/mezcladora. Usando el disco para rebanar/rallar puede requerir menos energía.
26. No coloque sobre o cerca de un quemador de gas o eléctrico caliente o en un horno caliente.
27. No use el aparato para otro uso más que para el que fue hecho.
28. Verifique que el artefacto esté OFF (●/apagado) antes de enchufar el cable en el tomacorriente. Para desconectar, gire el control a OFF (●/apagado), luego quite el enchufe del tomacorriente. Para desconectarlo, agarre el enchufe y retire del tomacorrientes. Nunca tire el cable de alimentación.
29. **¡PRECAUCIÓN!** A fin de evitar un riesgo debido a la reconfiguración inadvertida de la protección térmica, este artefacto no debe recibir suministro mediante un dispositivo de derivación externo, como un temporizador, o conectarse a un circuito que la empresa de servicio regularmente activa y desactiva.
30. Tenga cuidado si se vierte líquido caliente en el tazón del procesador de alimentos, ya que puede salir expulsado del aparato debido a una formación repentina de vapor.

GUARDE ESTAS INSTRUCCIONES

MÁS INFORMACIÓN DE SEGURIDAD PARA EL CONSUMIDOR

Este producto fue hecho para uso en el hogar solamente.

▲ ADVERTENCIA Peligro de Descarga Eléctrica: Este aparato cuenta con un enchufe polarizado (una pata más ancha) que reduce el riesgo de una descarga eléctrica. El enchufe embona únicamente en una dirección dentro de un tomacorriente polarizado. No trate de obviar el propósito de seguridad del enchufe modificándolo de alguna manera o utilizando un adaptador. Si el enchufe no entra completamente en la toma, invierta el enchufe. Si aún no entra, haga que un electricista reemplace la toma.

El largo del cable que se usa en este aparato fue seleccionado para reducir el peligro de que alguien se enganche o tropiece con un cable más largo. Si es necesario usar un cable más largo, se podrá usar un cable de extensión aprobado. La clasificación eléctrica nominal del cable de extensión debe ser igual o mayor que la clasificación nominal del aparato. Es importante tener cuidado de colocar el cable de extensión para que no se pliegue sobre el mostrador o la mesera en donde niños puedan tirar del mismo o tropezarse accidentalmente.

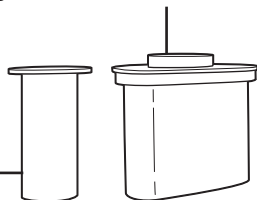
Para evitar una sobrecarga eléctrica del circuito, no use otro aparato de alto voltaje en el mismo circuito con este aparato.

Partes y Características

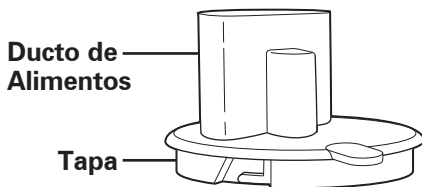
Para ordenar partes:

México: 01 800 71 16 100

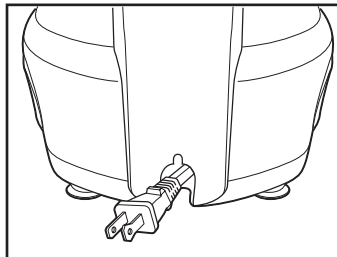
Empujadores de Alimentos Grandes



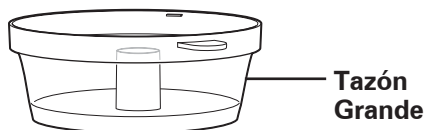
Empujadores de Alimentos Pequeños



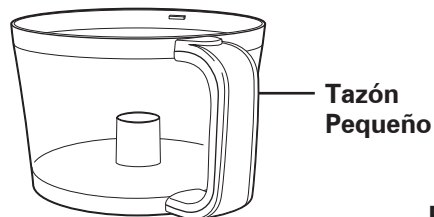
Almacenaje de Cable
(ubicado en la parte trasera de la base)



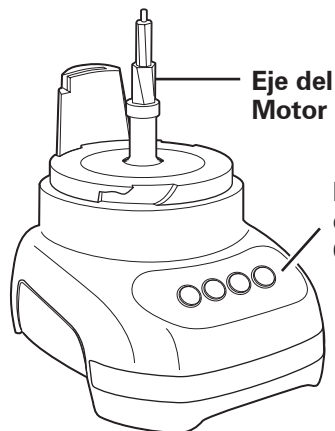
ANTES DE USAR POR PRIMERA VEZ: Desempaque el procesador. Maneje la cuchilla y el(los) disco(s) cuidadosamente; están muy afilados. Lave todas las partes excepto la base en agua caliente y jabonosa. Enjuague y luego seque.



Tazón Grande

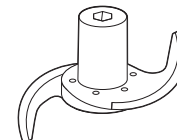


Tazón Pequeño



Eje del Motor

Panel de Control



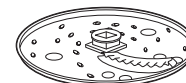
Cuchilla Picadora/Mezcladora

Use para cortar, picar, mezclar o hacer puré el alimento.



Disco para Rebanar/Rallador Reversible(sólo para usar con el tazón grande)

Úselo para rallar queso o rebanar o rallar una variedad de alimentos (como papas, peperoni, zanahorias, apio).



Disco Reversible de Rallado Fino/Corte Ondulado
(accesorio opcional)

Utilícelo para efectuar el rallado fino o corte ondulado de una variedad de alimentos (rallado fino de queso, repollo, zucchini o cebollas). Corte zanahorias, pepinos, remolachas, rábanos o pimientos en forma ondulada.

Cómo Usar la Cuchilla Picadora/Mezcladora

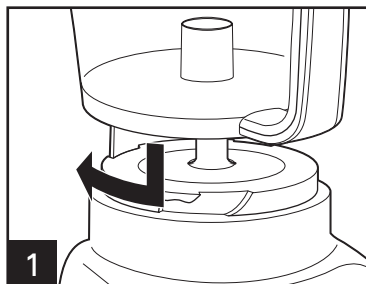
⚠ ADVERTENCIA

Peligro de Laceración.

Maneje la cuchilla cuidadosamente; está muy afilada.

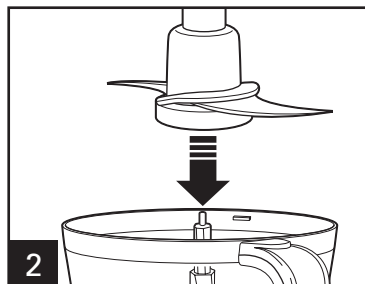
Asegúrese que la perilla de control esté en APAGADO (O) y la unidad esté desconectada.

NOTA: Use sólo con una cuchilla o disco a la vez.

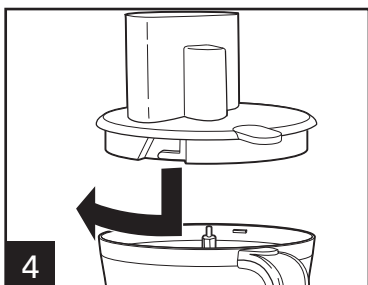
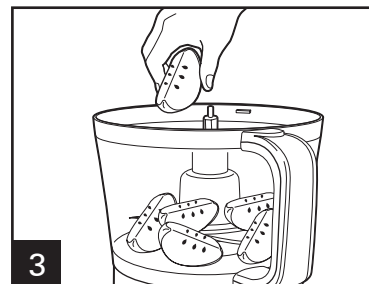


1 Alinee el tazón y la base. Gire el tazón en el sentido de las agujas del reloj para ajustarlo en su lugar.

NOTA: La unidad no funcionará a menos que el tazón esté ajustado.

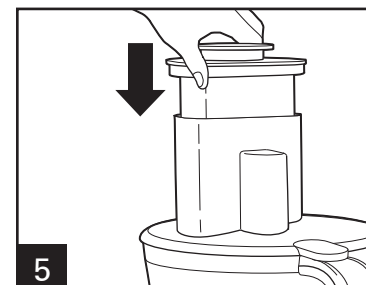


2 Coloque cuidadosamente la cuchilla en el eje del motor.

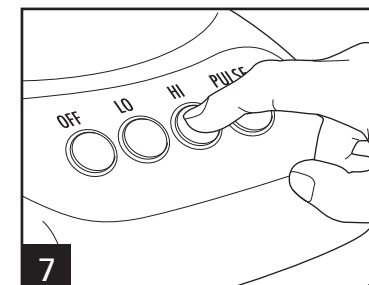
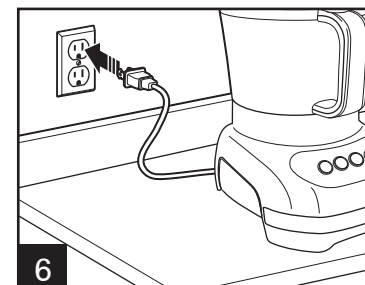


4 Alinee la tapa y el tazón. Gire la tapa en el sentido de las agujas del reloj para ajustarla en su lugar.

NOTA: La unidad no funcionará a menos que la tapa esté ajustada.

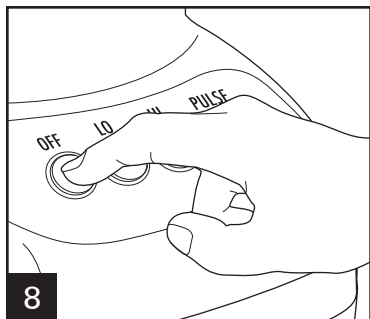


5 Coloque el empujador de alimentos grandes con el empujador de alimentos pequeños en el ducto de alimentos. **Siempre use el empujador de alimento para ingresar alimento en el ducto. NUNCA EMPUJE EL ALIMENTO POR EL DUCTO USANDO LAS DEDOS O OBJETOS OTROS.**

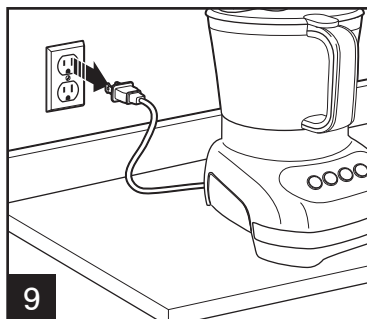


7 Presione el botón de velocidad deseado: **LO** (baja), **HI** (alta) o **PULSE (P)** (pulso).

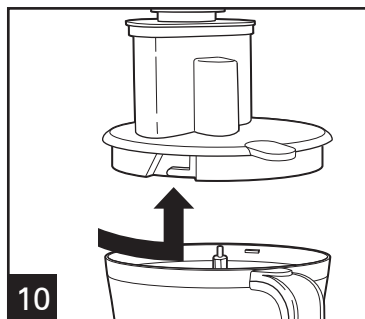
Cómo Usar la Cuchilla Picadora/Mezcladora (cont.)



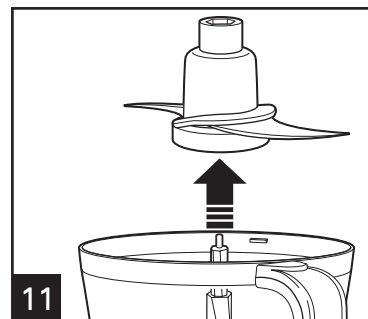
8 Cuando acabe, APÁGUELO (OFF/○).



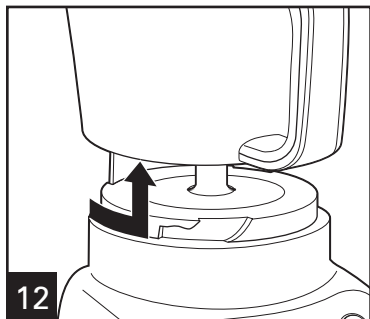
9 **⚠ ADVERTENCIA Peligro de Laceración:** Siempre espere hasta que la cuchilla se detenga antes de remover la tapa.



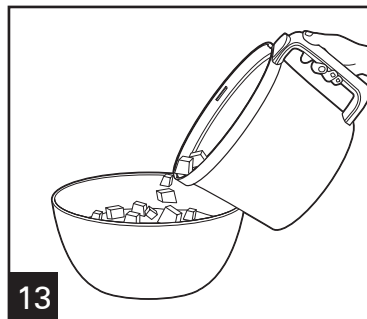
10 Gire la tapa en sentido contrario de las agujas del reloj para destrabarla.



11 Remueva cuidadosamente la cuchilla del eje del motor.



12



13

Cómo Usar el Disco para Rebanar/Rallar y Disco Reversible de Rallado Fino/Corte Ondulado (sólo con el Tazón Grande)

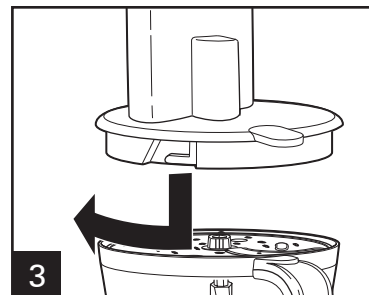
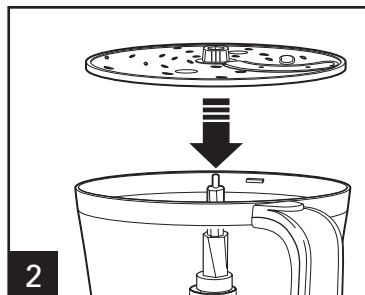
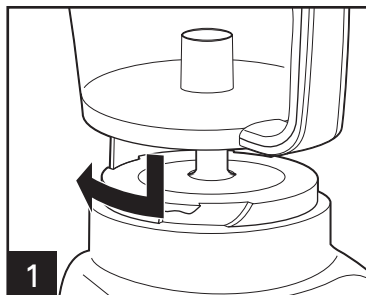
⚠ ADVERTENCIA

Peligro de Laceración.

Maneje la cuchilla cuidadosamente; está muy afilada.

Asegúrese que la perilla de control esté en APAGADO (O) y la unidad esté desconectada.

NOTA: Use sólo con una cuchilla o disco a la vez.



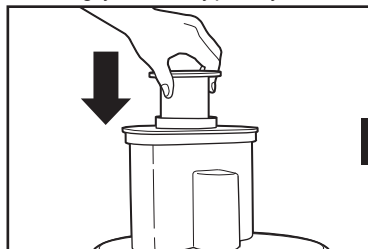
Alinee el tazón grande y la base. Gire el tazón grande en el sentido de las agujas del reloj para ajustar en su lugar. **NOTA:** La unidad no funcionará a menos que el tazón grande esté ajustado. Coloque cuidadosamente el disco para rebanar/rallar o disco reversible de rallado fino/corte ondulado en el eje del motor con el lado deseado viendo hacia ARRIBA. ("SLICE" [rebanar] o "SHRED" [rallar] se encuentran indicados en cada lado de la cuchilla). Alinee la tapa y el tazón grande. Gire la tapa en el sentido de las agujas del reloj para ajustar en su lugar. **NOTA:** La unidad no funcionará a menos que la tapa esté ajustada.



4A ALIMENTOS MÁS PEQUEÑOS Y DELGADOS

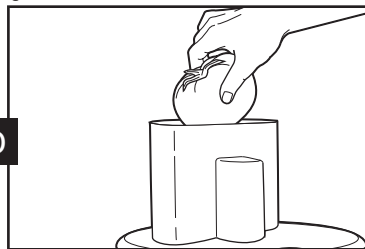
Ponga el empujador para alimento grande en su lugar. Coloque el alimento en el tubo abierto del empujador de alimento grande.

30



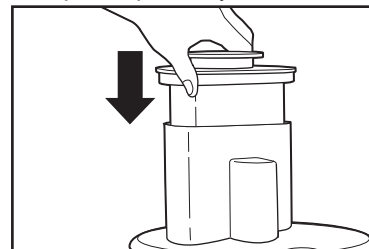
ALIMENTOS MÁS PEQUEÑOS Y DELGADOS

Empuje el alimento con los empujadores de alimentos pequeños. **NUNCA EMPUJE EL ALIMENTO POR EL DUCTO USANDO LAS DEDOS O OBJETOS OTROS.**



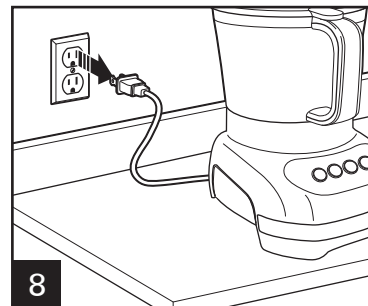
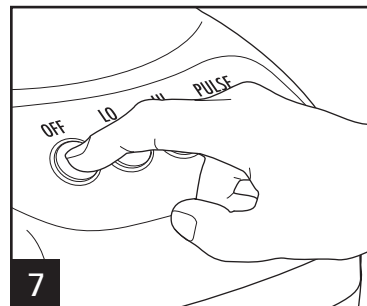
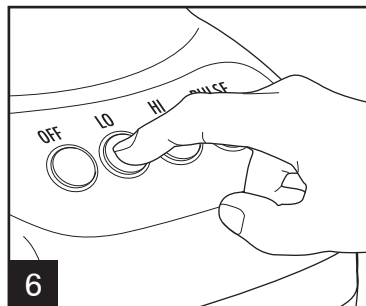
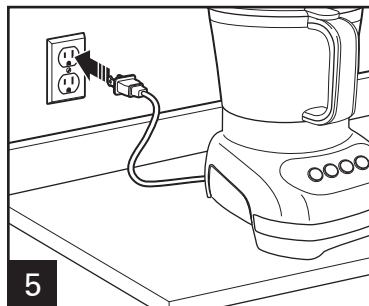
4B ALIMENTOS MÁS GRANDES

Empuje los alimentos más grandes utilizando los empujadores grande y pequeño en forma conjunta. **NOTA:** La unidad no funcionará hasta que el empujador de alimentos grande se enganche con el bloqueo de protección. No coloque alimentos por encima de la línea MAX de llenado. **⚠ ADVERTENCIA PELIGRO DE LACERACIÓN: SIEMPRE USE EL EMPUJADOR DE ALIMENTO PARA INGRESAR ALIMENTO EN EL DUCTO. NUNCA EMPUJE EL ALIMENTO POR EL DUCTO USANDO LAS MANOS O OBJETOS OTROS.**



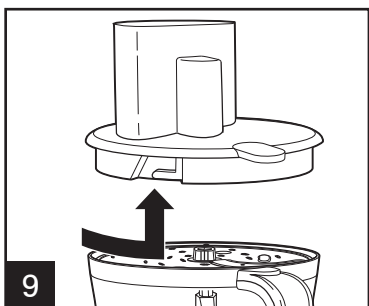
ALIMENTOS MÁS GRANDES

Cómo Usar el Disco para Rebanar/Rallar y Disco Reversible de Rallado Fino/Corte Ondulado (sólo con el Tazón Grande) (cont.)

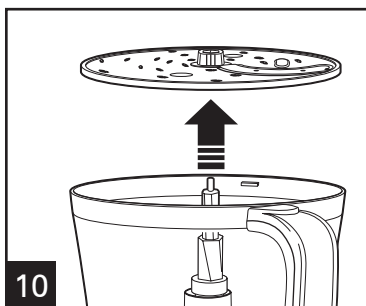


Presione el botón de velocidad deseado: **LO** (baja) o **HI** (alta). **NOTA:** Se recomienda **LO** (baja) para la mayoría de los alimentos cuando se utilice el disco para rebanar/rallar o el disco de rallado fino/corte ondulado. Cuando acabe, APÁGUELO (OFF/O).

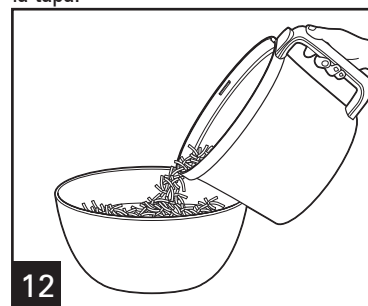
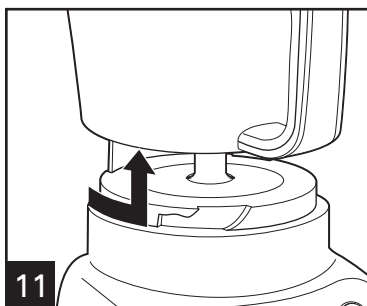
⚠ AVERTISSEMENT Peligro de Laceración: Siempre espere hasta que la cuchilla se detenga antes de remover la tapa.



Gire la tapa en sentido contrario de las agujas del reloj para desatrarla.



Remueva cuidadosamente el disco del eje del motor.



Consejos y Técnicas

- Para una consistencia más uniforme, comience con pedazos de alimento que sean similares en tamaño. Corte el alimento en pedazos de 1 pulgada (2.5 cm) antes de procesarlos con la cuchilla Picadora/Mezcladora.
- Este procesador de alimentos es excelente para cortar, mezclar, rebanar o rallar la mayoría de los alimentos. Sin embargo, para mantener un desempeño al máximo, no use su procesador de alimento para lo siguiente: moler granos, granos de café o especias; rebanar carne congelada; amasar masa; o romper hielo.
- Cuando corte alimentos, empujando poco a poco producirá mejores resultados.
- El tiempo de funcionamiento dependerá de la cantidad de alimento a ser procesada. La mayoría de los alimentos pueden ser rebanados, cortados o rallados en segundos. Si la unidad es usada por un período de tiempo prolongado, deje que el procesador descanse por unos 4 minutos antes de continuar.
- No haga puré o masa vegetales almidonados como papas ya que pueden ser fácilmente sobre-procesadas y se pondrá gomosas.
- Para rebanar o rallar queso, seleccione quesos firmes como Cheddar, Monterey Jack o Suizo que haya sido enfriado durante por lo menos 30 minutos.
- El disco para rebanar/rallar reversible y disco reversible de rallado fino/corte ondulado tiene una cuchilla rebanadora en un lado y dientes para deshebrar en el otro y sólo puede usarse con el tazón grande. El nombre grabado en la cuchilla, viendo hacia arriba, es la función seleccionada. Para rebanar, la palabra "SLICE" (rebanar) debe apuntar hacia arriba; para rallar, la palabra "SHRED" (rallar) debe apuntar hacia arriba. Colóquelo en el eje del motor con el borde de corte deseado viendo hacia arriba.
- Para hacer vegetales juliana, rebane luego remueva del tazón y vuelva a acomodar los vegetales. Empaque en ducto de alimento con las rebanadas en vertical. Rebane de nuevo para hacer vegetales de corte fino.

Tablas de Procesamiento

Los aditamentos de disco son reversibles y marcados. Esta marca debe ver hacia arriba para la función deseada. Cuando use aditamentos de disco, no procese más allá del NIVEL MAX. en el tazón.

ADITAMENTO	ALIMENTOS
Cuchilla Picadora/Mezcladora	Cortar: Nueces, carne, ajo, cebollas, pimientos, apio, hierbas, pan (para migajas), galletas Picar/Puré: Verduras, frutas Mezclar: Aderezos de ensalada Puré: Sopas, salsas Rallar: Queso como el parmesano (refrigerado)

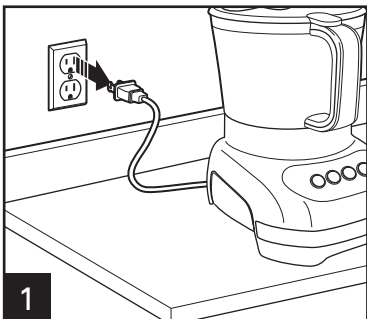
Disco Rebanar o disco corte ondulado (lado de "SLICE" [rebanar] viendo hacia ARRIBA)	Pepinos, manzanas, champiñones, zanahorias, papas, repollo, tomates, peperoni, pimientos, rábanos, quesos duros (refrigerados)
--	--

Disco para Rallar o disco rallado fino (lado de "SHRED" [rallar] viendo hacia ARRIBA)	Repollo, papas, zanahorias, queso (refrigerado)
---	---

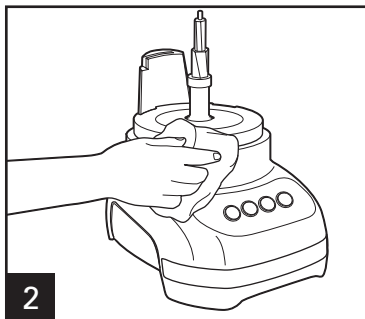
Para mejores resultados no exceda las cantidades siguientes cuando corte, pique, o haga puré con la cuchilla picadora/mezcladora.

ALIMENTO	CANTIDADES MÁXIMAS
Frutas y Vegetales	2 a 3 tazas (500 ml a 750 ml) (corte en cubos de 1" [2.5-cm])
Carnes	2 libra (900 g) (corte en cubos de 1" [2.5 cm])
Parmesano o Romano	5 onzas (140 g) (corte en cubos de 1" [2.5 cm])
Cheddar, Monterey Jack, Mozzarella	8 onzas (226 g) (corte en cubos de 1" [2.5 cm])
Galletas	Tazón lleno

Limpieza y Cuidado



1



2

Limpie la base, panel de control, y cable con un trapo o esponja húmeda. Si fuera necesario, use un limpiador leve no abrasivo.

⚠ ADVERTENCIA Peligro de Descarga Eléctrica.

Desconecte la electricidad antes de limpiar. No sumerja el cable, enchufe o base en ningún líquido.



**RESISTENTE AL LAVAVAJILLAS
(SÓLO BANDEJA SUPERIOR)**

No utilice la configuración "SANI" cuando la lave en el lavavajillas. Las temperaturas del ciclo "SANI" pueden dañar su producto. Las piezas desmontables también pueden lavarse a mano con agua caliente jabonosa. Tenga cuidado cuando lave a mano los bordes afilados.

Resolviendo Problemas

PROBLEMA	PROBABLE CAUSA
La unidad no funciona a ninguna velocidad o Pulso.	<ul style="list-style-type: none">• ¿Está conectada la unidad? ¿Funciona la toma?• ¿Está el tazón, tapa del tazón y tapa de ducto de alimentos colocados en su lugar y el empujador de alimentos grandes en el ducto de alimentos? Vea las secciones de Cómo Usar.
El alimento no se corta, rebana o deshebra uniformemente.	<ul style="list-style-type: none">• Meter mucho alimento por el ducto de alimentos, o empujar demasiado duro con los empujadores de alimento puede causar que el alimento procesado será rebanado o deshebrado irregularmente.• La velocidad recomendada para el disco rebanador y rallador debe ser LO (baja) para quesos y LO (baja) o HI (alta) para vegetales o frutas.• Consulte las tablas de procesamiento de alimento por tamaños, velocidades y cantidades recomendadas.
La unidad se detiene y no se vuelve a encender.	<ul style="list-style-type: none">• ¿Está el tazón, tapa del tazón y tapa de ducto de alimentos colocados en su lugar y el empujador de alimentos grandes en el ducto de alimentos? Se pueden haber movido un poco durante el procesamiento. Vea la sección de "Cómo Usar".• ¿Está aún funcionando la toma? Revísela conectando una lámpara u otro aparato que funcione. Puede que haya sobrecargado el circuito y volado un fusible o botado el interruptor de circuito.• APAGUE (OFF/○) la unidad, déjela descansar por 3 a 4 minutos, luego ENCIENDA. Si ninguna de estas sugerencias corrigen el problema, NO intente reparar la unidad. Llame al número de Servicio al Cliente para obtener el nombre de su Centro de Servicio Autorizado más cercano.
La unidad huele a quemado.	<ul style="list-style-type: none">• Puede haber un residuo del proceso de fabricación aún en el motor, causando un ligero olor durante el uso inicial. Esto desaparecerá. Si aparece un fuerte olor o un humo visible, desconecte la unidad INMEDIATAMENTE y llame al número de Servicio al Cliente.
El motor parece débil.	<ul style="list-style-type: none">• ¿Está usando el tamaño y cantidad de alimento recomendado a ser procesado? Consulte las Tablas de Procesamiento de Alimento para tamaños de alimento y velocidades recomendados.
Resulta difícil quitar la tapa del tazón o el tazón de la base.	<ul style="list-style-type: none">• Después de lavar en el lavavajillas, deje que las piezas vuelvan a temperatura ambiente antes de colocarlas en la base. Puede colocarse una pequeña cantidad de aceite vegetal en las trabas para lograr una fácil remoción.

GARANTÍA PARA PRODUCTOS COMPRADOS EN MÉXICO

PRODUCTO:	MARCA:	MODELO:
-----------	--------	---------

Grupo HB PS, S.A. de C.V. cuenta con una Red de Centros de Servicio Autorizada, por favor consulte en la lista anexa el nombre y dirección de los establecimientos en la República Mexicana en donde usted podrá hacer efectiva la garantía, obtener partes, componentes, consumibles y accesorios; así como también obtener servicio para productos fuera de garantía. Para mayor información llame sin costo: **Centro de Atención al consumidor: 01 800 71 16 100**

Grupo HB PS, S.A. de C.V. le otorga a partir de la fecha de compra:
GARANTÍA DE 1 AÑO.

COBERTURA

- Esta garantía ampara, todas las piezas y componentes del producto que resulten con defecto de fabricación incluyendo la mano de obra.
- Grupo HB PS, S.A. de C.V. se obliga a reemplazar, reparar o reponer, cualquier pieza o componente defectuoso; proporcionar la mano de obra necesaria para su diagnóstico y reparación, todo lo anterior sin costo adicional para el consumidor.
- Esta garantía incluye los gastos de transportación del producto que deriven de su cumplimiento dentro de su red de servicio.

LIMITACIONES

- Esta garantía no ampara el reemplazo de piezas deterioradas por uso o por desgaste normal, como son: cuchillas, vasos, jarras, filtros, etc.
- Grupo HB PS, S.A. de C.V. no se hace responsable por los accidentes producidos a consecuencia de una instalación eléctrica defectuosa, ausencia de toma de tierra, clavija de enchufe en mal estado, etc.

EXCEPCIONES

Esta garantía no será efectiva en los siguientes casos:

- a) Cuando el producto se hubiese utilizado en condiciones distintas a las normales. (Uso industrial, semi-industrial o comercial.)
- b) Cuando el producto no hubiese sido operado de acuerdo con el instructivo de uso.
- c) Cuando el producto hubiese sido alterado o reparado por personas no autorizadas por Grupo HB PS, S.A. de C.V. el fabricante nacional, importador o comercializador responsable respectivo.

El consumidor puede solicitar que se haga efectiva la garantía ante la propia casa comercial donde adquirió su producto, siempre y cuando Grupo HB PS, S.A. de C.V. no cuente con talleres de servicio.

PROCEDIMIENTO PARA HACER EFECTIVA LA GARANTÍA

- Para hacer efectiva la garantía, lleve su aparato al Centro de Servicio Autorizado más cercano a su domicilio (consulte la lista anexa).
- Si no existe Centro de Servicio Autorizado en su localidad llame a nuestro Centro de Atención al Consumidor para recibir instrucciones de como hacer efectiva su garantía

FECHA DE ENTREGA	SELLO DEL VENDEDOR	QUEJAS Y SUGERENCIAS
DÍA__ MES__ AÑO__		Si desea hacer comentarios o sugerencias con respecto a nuestro servicio o tiene alguna queja derivada de la atención recibida en alguno de nuestros Centros de Servicio Autorizados, por favor dirigirse a: GERENCIA INTERNACIONAL DE SERVICIO 01 800 71 16 100 Email: mexico.service@hamiltonbeach.com

CENTROS DE SERVICIO AUTORIZADOS

Ciudad de México

ELECTRODOMÉSTICOS
Av. Plutarco Elias Calles, No. 1499
Zacahuiztco, Ciudad de México, C.P. 09490
Tel: 01 55 5235 2323

CASA GARCÍA

Av. Patriotismo No. 875-B
Mixcoac, Ciudad de México, C.P. 03910
Tel: 01 55 5563 8723

Nuevo León

FERNANDO SEPÚLVEDA REFACCIONES
Ruperto Martínez No. 238 Ote.
Centro MONTERREY, 64000 N.L.
Tel: 01 81 8343 6700

Jalisco

SERVICIOS DE MANTENIMIENTO CASTILLO
Garibaldi No. 1450
Ladrón de Guevara
GUADALAJARA 44660 Jal.
Tel: 01 33 3825 3480

Modelos:
70580, 70581

Tipo:
FP20

Características Eléctricas:
120 V~ 60 Hz 500 W

Los modelos incluidos en el instructivo de Uso y Cuidado pueden ir seguidos o no por un sufijo correspondiente a una o varias letras del alfabeto y sus combinaciones, separadas o no por un espacio, coma, diagonal, o guión. Como ejemplos los sufijos pueden ser: "Y" y/o "MX" y/o "MXY" y/o "Z".