

**READ BEFORE USE**  
**LIRE AVANT UTILISATION**  
**LEA ANTES DE USAR**

Visit [www.hamiltonbeach.com](http://www.hamiltonbeach.com) for our complete line of products and Use and Care Guides – as well as delicious recipes, tips, and to register your product online!



Rendez-vous sur [www.hamiltonbeach.ca](http://www.hamiltonbeach.ca) pour notre liste complète de produits et de nos manuels utilisateur – ainsi que nos délicieuses recettes, nos conseils et pour enregistrer votre produit en ligne !

¡Visite [www.hamiltonbeach.com.mx](http://www.hamiltonbeach.com.mx) para obtener nuestra línea completa de productos y las Guías de Uso y Cuidado, además de deliciosas recetas, consejos y para registrar su producto en línea!

**Questions?**

**Please call us – our friendly associates are ready to help.**  
**USA: 1.800.851.8900**

**Questions ?**

**N'hésitez pas à nous appeler – nos associés s'empresseront de vous aider.**  
**CAN : 1.800.267.2826**

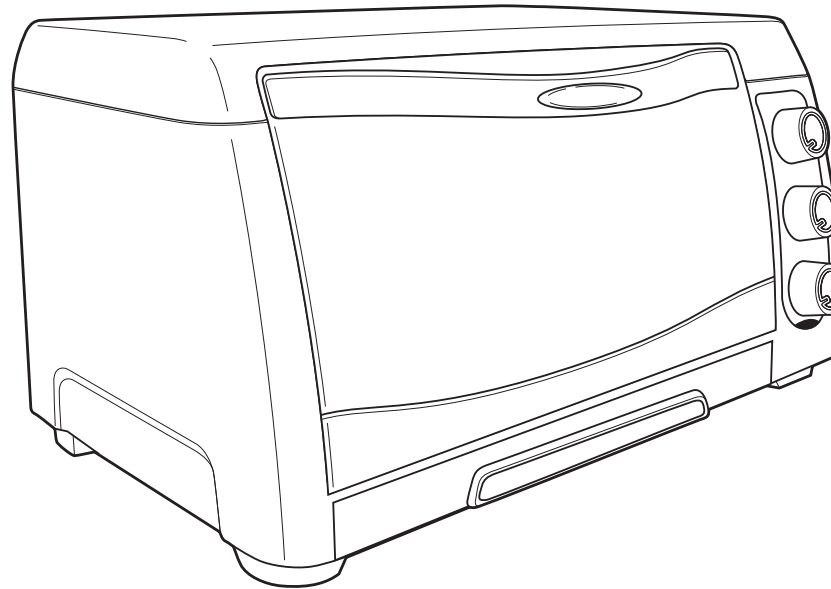
**¿Preguntas?**

**Por favor llámenos – nuestros amables representantes están listos para ayudar.**  
**MEX: 01 800 71 16 100**

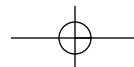
*Le invitamos a leer cuidadosamente este instructivo antes de usar su aparato.*

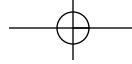
**Hamilton  
Beach®**

*Toaster Oven*  
*Four grille-pain*  
*Horno de la Tostadora*



English .....	2
Français .....	17
Español .....	31





## **WARNING**



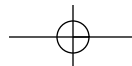
### **Fire Hazard.**

- If contents ignite, do not open oven door. Unplug oven and allow contents to stop burning and cool before opening door.
- Do not operate unattended while in Toast or Broil modes.
- Do not use with oven cooking bags.
- Always allow at least one inch between food and heating element.
- Always unplug toaster oven when not in use.
- Regular cleaning reduces risk of fire hazard.

## **IMPORTANT SAFEGUARDS**

When using electrical appliances, basic safety precautions should always be followed, including the following:

1. Read all instructions.
2. Do not touch hot surfaces. Use handles or knobs.
3. To protect against electrical shock, do not immerse cord, plug, or toaster oven in water or other liquid.
4. Close supervision is necessary when any appliance is used by or near children.
5. Unplug from outlet when not in use and before cleaning. Allow to cool before cleaning appliance and putting on or taking off parts.
6. Do not operate any appliance with a damaged cord or plug, or after the appliance malfunctions or is dropped or damaged in any manner. Call our toll-free customer service number for information on examination, repair, or adjustment.
7. The use of accessory attachments not recommended by the appliance manufacturer may cause injuries.
8. Do not use outdoors.
9. Do not let cord hang over edge of table or counter or touch hot surfaces.
10. Do not place on or near a hot gas or electric burner or in a heated oven.
11. Extreme caution must be used when moving an appliance containing hot oil or other hot liquids.
12. To disconnect, turn all controls to OFF; then remove plug from wall outlet.
13. Use extreme caution when removing pan or disposing of hot grease.
14. Do not clean with metal scouring pads. Pieces can break off the pad and touch electrical parts, creating a risk of electrical shock.
15. Oversize foods or metal utensils must not be inserted in a toaster oven as they may create a fire or risk of electric shock.
16. A fire may occur if the toaster oven is covered, touching, or near flammable material, including curtains, draperies, walls, and the like, when in operation. Do not store any item on top of the appliance when in operation or before the appliance cools down.



17. Extreme caution should be exercised when using containers constructed of materials other than metal or glass.
18. Do not store any materials, other than manufacturer-recommended accessories, in this oven when not in use.
19. Do not place any of the following materials in the oven: paper, cardboard, plastic, and the like.
20. Do not cover crumb tray or any part of the oven with metal foil. This will cause overheating of the oven.
21. To turn oven off, turn Toast/Timer and OFF to OFF position. See "Parts and Features" section.
22. Do not place eyes or face in close proximity with tempered safety glass door, in the event that the safety glass breaks.
23. Always use appliance with crumb tray securely in place.
24. Do not use appliance for other than intended use.
25. Clean oven interior carefully. Do not scratch or damage heating element tube.
26. Check that the control is OFF before plugging cord into wall outlet. To disconnect, turn the control to OFF, then remove plug from wall outlet.

## SAVE THESE INSTRUCTIONS!

### OTHER CONSUMER SAFETY INFORMATION

**This appliance is intended for household use only.**

**WARNING! Shock Hazard:** This appliance has a polarized plug (one wide blade) that reduces the risk of electric shock. The plug fits only one way into a polarized outlet. Do not defeat the safety purpose of the plug by modifying the plug in any way or by using an adapter. If the plug does not fit fully into the outlet, reverse the plug. If it still does not fit, have an electrician replace the outlet.

The length of the cord used on this appliance was selected to reduce the hazards of becoming tangled in or tripping over a longer cord. If a longer cord is necessary, an approved extension cord may be used. The electrical rating of the extension cord must be equal to or greater than the rating of the appliance. Care must be taken to arrange the extension cord so that it will not drape over the counter-top or tabletop where it can be pulled on by children or accidentally tripped over.

This appliance is equipped with a fully tempered safety glass door. The tempered glass is four times stronger than ordinary glass and more resistant to breakage. Tempered glass can break; however, it breaks into pieces with no sharp edges. Care must be taken to avoid scratching door surface or nicking edges. If the door has a scratch or nick, call our toll-free customer service number.

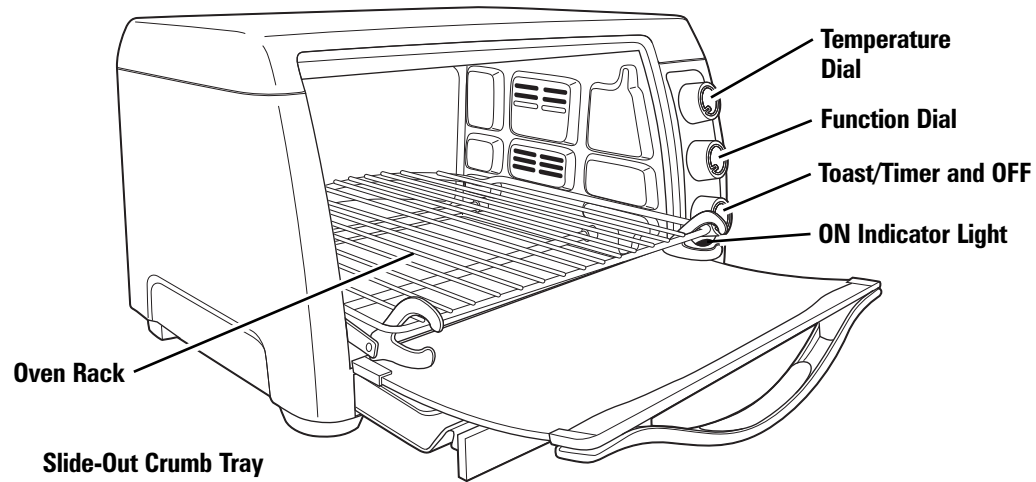
Always unplug your toaster oven from the outlet when not in use.

#### **Before First Use**

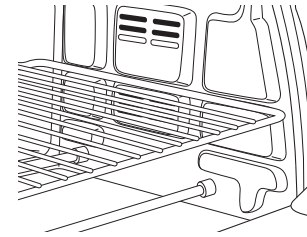
Most heating appliances produce an odor and/or smoke when used the first time. Plug the toaster oven into an outlet. Turn Temperature Dial to 450°F (230°C). Heat at this temperature for 10 minutes. The odor should not be present after this initial preheating. **Wash baking pan, broil rack, and oven rack before using.**

# Parts and Features

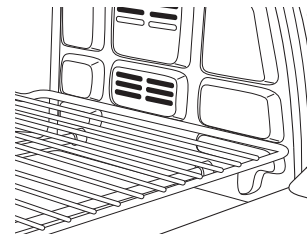
Convection Baking Function  
(on select models)



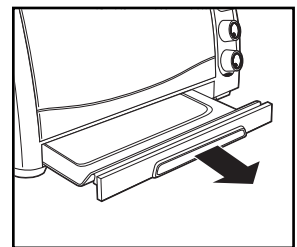
**MIDDLE RACK POSITION:**  
baking, broiling, and toasting



**LOW RACK POSITION:**  
baking



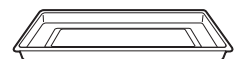
**Slide-Out Crumb Tray**



**Rack/Toasting Area**



**Broil Rack**



**Baking Pan**



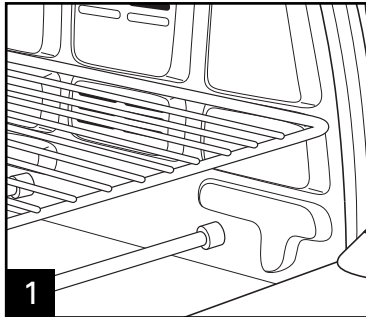
**Broil Rack in Baking Pan**

# How to Toast

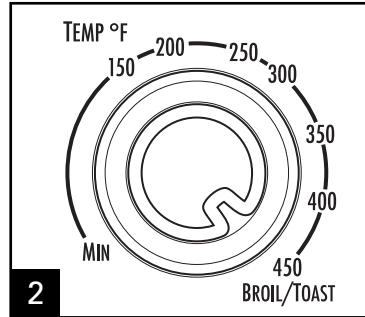
**⚠ WARNING Fire Hazard.**

- If contents ignite, do not open oven door. Unplug oven and allow contents to stop burning and cool before opening door.

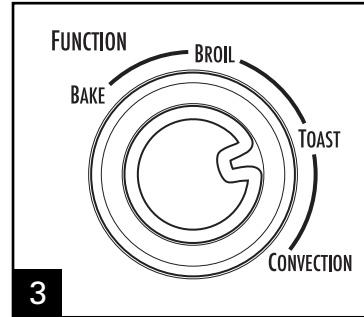
- Do not leave appliance unattended when in operation.
- Always unplug toaster oven when not in use.



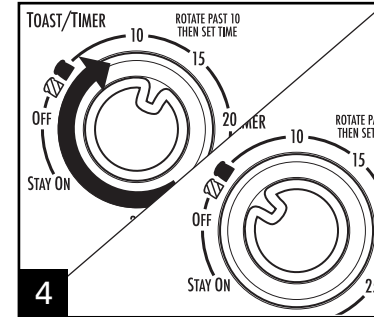
Place oven rack in **MIDDLE RACK POSITION** (shown) for toast, English muffins, bagels, and waffles.



Turn Temperature Dial to **BROIL/TOAST**.



Place food in oven. Turn Function Dial to **TOAST**.



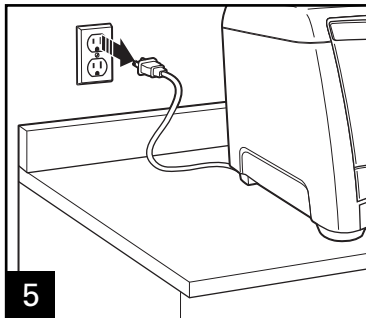
Rotate Toast/Timer past 10 and then back to desired toast color. A bell will sound when the toast cycle is complete. Rotate Toast/Timer and OFF to **OFF** to end cycle at any time.



Medium

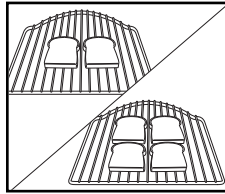


Dark



## How to Toast (cont.)

- **When toasting only two slices of bread,** place bread in center of toasting area on middle rack position to get even toasting on top and bottom.
- For best results, always position bread, bagels, etc., within toasting area.
- **To toast bagels, English muffins, and waffles,** place oven rack in MIDDLE RACK POSITION and place food cut/split side facing up. This will toast the cut/split side more than the outside food. Set Toast/Timer and OFF to desired setting.
- **To toast regular toaster pastries or frozen pastries,** place oven rack in the MIDDLE RACK POSITION. Select a color lighter than Medium and toast directly on the oven rack. If pastry has a glaze or frosting, use baking pan.



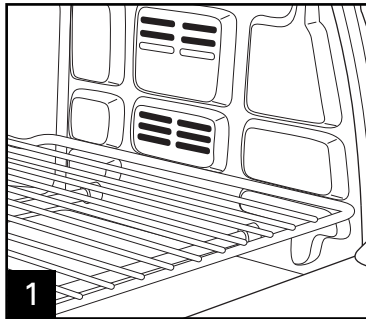
- When toasting, **condensation** may form on the oven door. The moisture will slowly escape from the enclosed oven.
- The **number of slices** of bread and the **bread freshness** will affect toast color. For example, toasting 4 slices of bread will require a darker toast color setting than 2 slices of bread. Adjust the Toast/Timer and OFF based on desired color and number of slices.
- If you are not satisfied with the color balance between the two sides of your food in the recommended rack position, select a different rack position.

# How to Bake

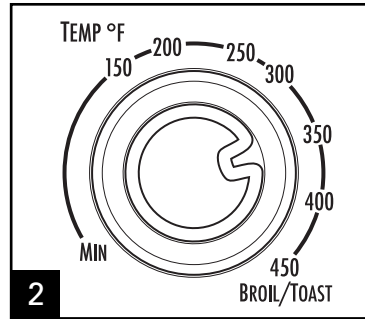
## **⚠ WARNING** Fire Hazard.

- If contents ignite, do not open oven door. Unplug oven and allow contents to stop burning and cool before opening door.

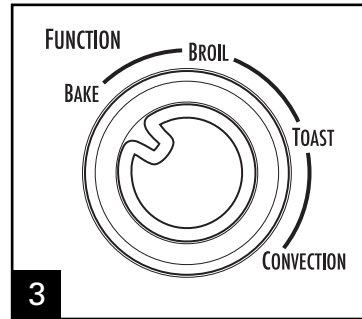
- Do not use oven cooking bags.
- Always allow at least one inch between food and heating element.
- Always unplug toaster oven when not in use.



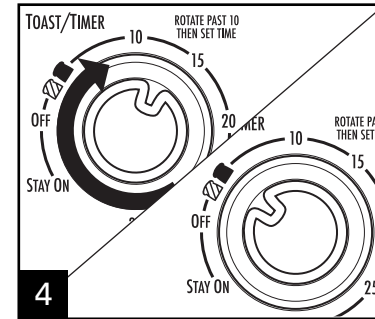
**1** Place oven rack on **MIDDLE RACK POSITION** or **LOW RACK POSITION** (depending on food to be cooked). **LOW RACK POSITION** shown.




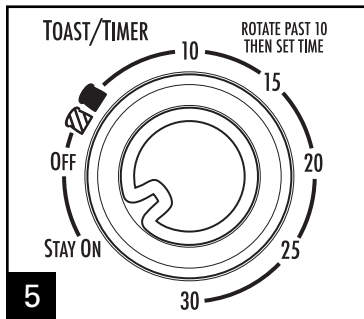
**2** Turn Temperature Dial to desired temperature.



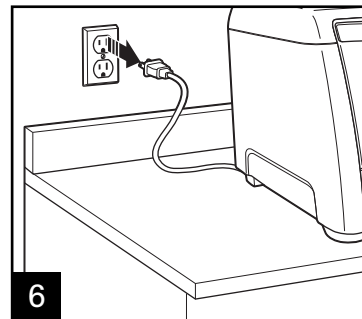
**3** Turn Function Dial to **BAKE**.



**4** Rotate Toast/Timer and OFF past 10 and then back to "dark toast"  to preheat oven for 5 minutes before beginning to bake.



After oven is preheated, set Toast/Timer and OFF to desired time by rotating Toast/Timer and OFF past 10 and then to desired baking time or rotate Toast/Timer and OFF to **STAY ON**. Rotate Toast/Timer and OFF to **OFF** to end cycle at any time.



**6**

## *How to Bake* (cont.)

- Do not totally enclose foods in aluminum foil. Foil can insulate foods and slow down heating.
- To reheat rolls or biscuits, place on baking pan and heat at 300°F (149°C) for 10 minutes.
- Reheat leftover roasts or casseroles at 350°F (177°C) for 20 to 30 minutes or until heated through.
- Bake foods such as pizza on the **MIDDLE RACK POSITION**. Place food directly on oven rack or in baking pan.
- Bake foods such as a whole chicken on the **LOW RACK POSITION**. Place food in baking pan.

FOOD	APPROX. BAKE TIMES	INTERNAL TEMPERATURES	
		F	C
Fresh Chicken Breast	30 minutes	170°	77°
Fish Fillet	15 minutes	145°	63°

Turn foods halfway through cooking time.

Visit [foodsafety.gov](http://foodsafety.gov) for more safe cooking temperature information.



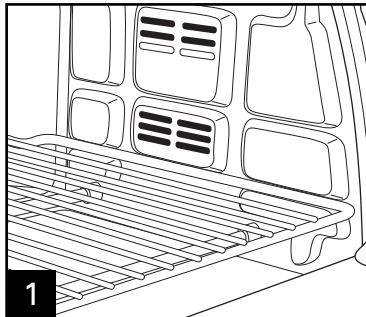
# Convection Bake

(on select models)

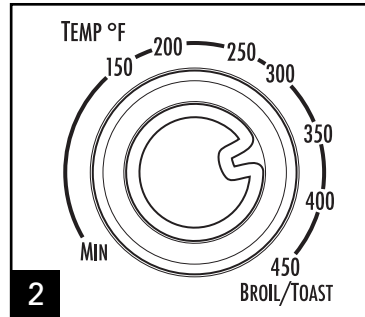
**⚠ WARNING** Fire Hazard.

- If contents ignite, do not open oven door. Unplug oven and allow contents to stop burning and cool before opening door.

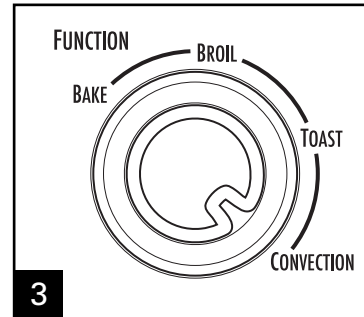
- Do not use oven cooking bags.
- Always allow at least one inch between food and heating element.
- Always unplug toaster oven when not in use.



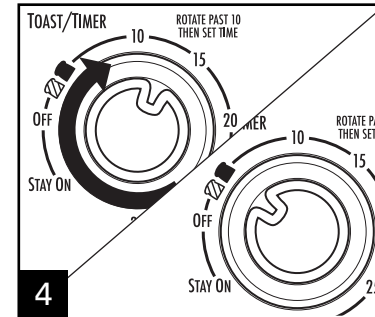
**1** Place oven rack on **MIDDLE RACK POSITION** or **LOW RACK POSITION** (depending on food to be cooked). **LOW RACK POSITION** shown.



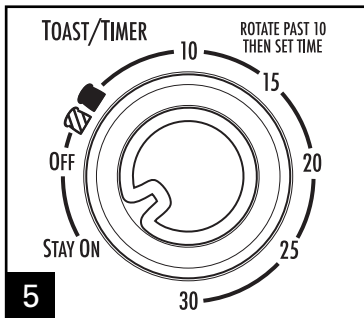
**2** Turn Temperature Dial to desired temperature.



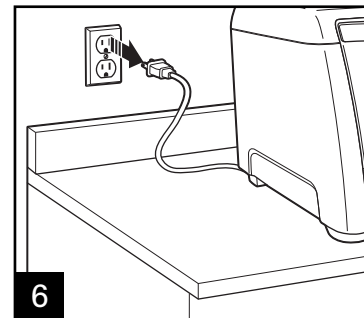
**3** Turn Function Dial to **CONVECTION**.



**4** Rotate Toast/Timer and OFF past 10 and then back to "dark toast" to preheat oven for 5 minutes before beginning to bake.



**5** After oven is preheated, set Toast/Timer and OFF to desired time by rotating Toast/Timer and OFF past 10 and then to desired baking time or rotate Toast/Timer and OFF to **STAY ON**. Rotate Toast/Timer and OFF to **OFF** to end cycle at any time.



**6**

## *Convection Bake (cont.)*

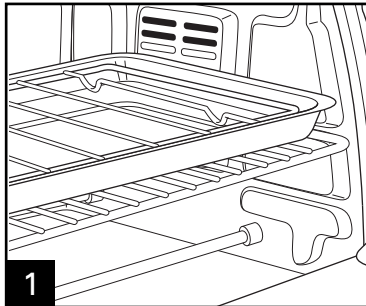
- The convection bake function provides superior browning and crisping of food items. It is ideal for cookies, pizza, and meats.
- The convection method cooks up to one-third faster than traditional baking. When first using, check to determine if time or temperature should be adjusted.
- Do not totally enclose foods in aluminum foil. Foil can insulate foods and slow down heating.
- Bake foods such as pizza on the **MIDDLE RACK POSITION**. Place food directly on oven rack or in baking pan.
- Bake foods such as a whole chicken on the **LOW RACK POSITION**. Place food in baking pan.
- Ovens with convection mode: When baking pizza, use convection setting and reduce cooking time by 25%.

# How to Broil

## **⚠ WARNING** Fire Hazard.

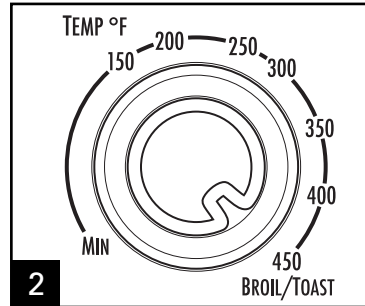
- If contents ignite, do not open oven door. Unplug oven and allow contents to stop burning and cool before opening door.
- Do not leave oven unattended during operation.

- Keep one inch between food and heating element.
- Do not use oven cooking bags.
- Do not heat foods in plastic containers.
- Follow food manufacturer's instructions.



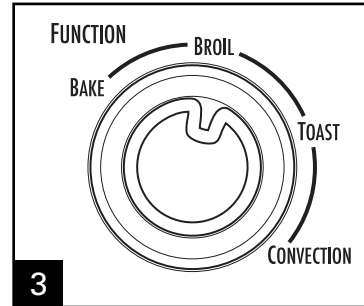
**1**

Place oven rack in oven. **MIDDLE RACK POSITION** is for faster broiling times. **LOW RACK POSITION** is for foods needing longer broiling times, like chicken breasts. Place food on broil rack or directly onto baking pan. Place in oven. **DO NOT PREHEAT OVEN.**



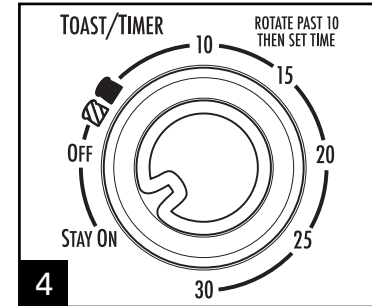
**2**

Turn Temperature Dial to **BROIL/TOAST**.



**3**

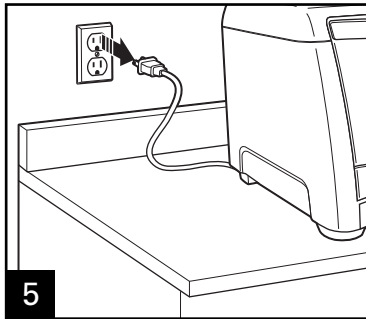
Turn Function Dial to **BROIL**.



**4**

Rotate Toast/Timer and OFF past 10 and then to the desired broiling time or rotate Toast/Timer and OFF to **STAY ON**. Turn foods when browned or halfway through cooking time.

## How to Broil *(cont.)*



FOOD	APPROX. BROIL TIME
Hamburgers	20 minutes
Hot Dogs	15 minutes
Sausage Links or Patties (pierce casings before cooking)	15 to 20 minutes
Fish	15 minutes

These cooking times are an average and should be adjusted to individual preferences. Turn foods halfway through cooking time.

### IF YOU LIVE IN A HIGH-ALTITUDE AREA:

The Extension service will have detailed information about cooking for your area. To locate the Cooperative Extension service in your county, please visit: <http://www.csrees.usda.gov/Extension/>.

Cook beef and pork to at least 160°F (71°C).

Cook chicken to at least 165°F (73°C).

Cook fish until at least 145°F (63°C) or until opaque or flakes with a fork.

Visit **foodsafety.gov** for more safe cooking temperature information.

Visit [www.hamiltonbeach.com](http://www.hamiltonbeach.com) for our complete line of products and Use and Care Guides – as well as delicious recipes, tips, and to register your product online!

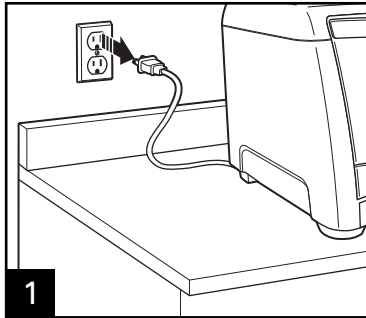


# Cleaning

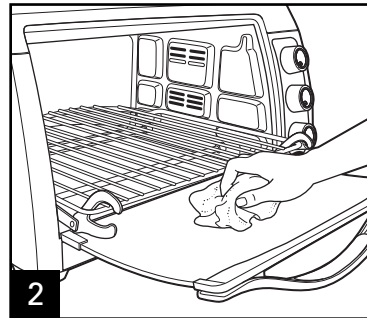
**⚠ WARNING Electrical Shock Hazard.**

Do not clean with metal scouring pads. Pieces can break off pad and touch electrical parts.

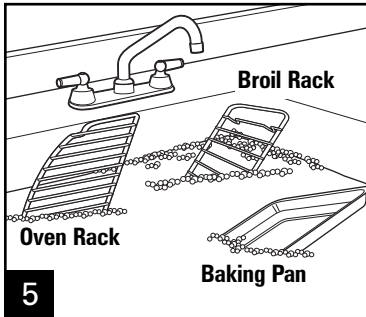
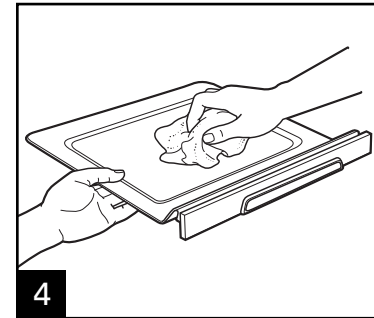
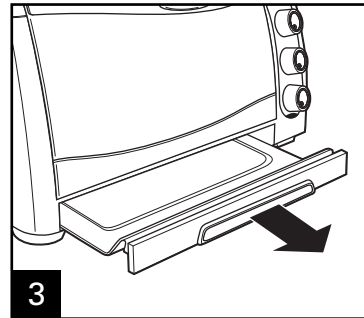
Your toaster oven should be cleaned regularly for best performance and long life. Regular cleaning will also reduce the risk of fire hazard.



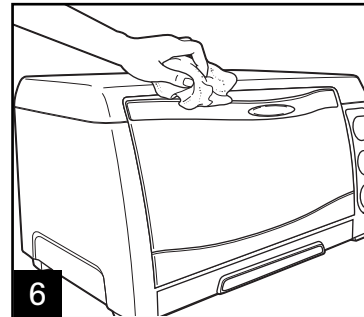
Unplug and allow to cool.



To clean inside of oven, wipe oven walls, bottom of oven, and glass door with a damp, soapy cloth. Repeat with a damp, clean cloth.



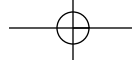
For stubborn stains, use a plastic scouring pad.



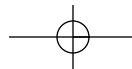
Wipe outside of oven with a damp cloth. Do not use abrasive cleansers or metal scouring pads.

# Troubleshooting

PROBLEM	PROBABLE CAUSE
Oven will not heat.	<ul style="list-style-type: none"><li>• Check to make sure electrical outlet is working and the oven is plugged in. Turn Temperature Dial to 350°F (180°C). Turn Function Dial to <b>BAKE</b>; then turn Toast/Timer and OFF to <b>STAY ON</b>.</li></ul>
Moisture forms on inside of oven door when toasting.	<ul style="list-style-type: none"><li>• This is normal when toasting in a toaster oven. Moisture is slower to escape from a toaster oven than from a toaster. The amount of moisture will differ between fresh bread, bagels, and frozen pastries.</li></ul>
An odor and smoke come from oven.	<ul style="list-style-type: none"><li>• Smoke and odor are normal during first use of most heating appliances. These will not be present after initial heating period.</li></ul>
Oven will not toast.	<ul style="list-style-type: none"><li>• Check to make sure outlet is working and oven is plugged in. Turn Temperature Dial to <b>TOAST/BROIL</b>. Turn Function Dial to <b>TOAST</b>; then rotate Toast/Timer and OFF past 10 and then back to desired toast color.</li></ul>
Some foods burn and some are not done.	<ul style="list-style-type: none"><li>• Adjust oven rack position to center food in oven.</li><li>• Adjust oven temperature or cooking time for best results with your recipes.</li></ul>



# *Notes*



## *Limited Warranty*

This warranty applies to products purchased and used in the U.S. and Canada. This is the only express warranty for this product and is in lieu of any other warranty or condition.

This product is warranted to be free from defects in material and workmanship for a period of one (1) year from the date of original purchase. During this period, your exclusive remedy is repair or replacement of this product or any component found to be defective, at our option; however, you are responsible for all costs associated with returning the product to us and our returning a product or component under this warranty to you. If the product or component is no longer available, we will replace with a similar one of equal or greater value.

This warranty does not cover glass, filters, wear from normal use, use not in conformity with the printed directions, or damage to the product resulting from accident, alteration, abuse, or misuse. This warranty extends only to the original consumer purchaser or gift recipient. Keep the original sales receipt, as proof of purchase is required to make a warranty claim. This warranty is void if the product is used for other than single-family household use or subjected to any voltage and waveform other than as specified on the rating label (e.g., 120V ~ 60 Hz).

We exclude all claims for special, incidental, and consequential damages caused by breach of express or implied warranty. All liability is limited to the amount of the purchase price. **Every implied warranty, including any statutory warranty or condition of merchantability or fitness for a particular purpose, is disclaimed except to the extent prohibited by law, in which case such warranty or condition is limited to the duration of this written warranty.** This warranty gives you specific legal rights. You may have other legal rights that vary depending on where you live. Some states or provinces do not allow limitations on implied warranties or special, incidental, or consequential damages, so the foregoing limitations may not apply to you.

To make a warranty claim, do not return this appliance to the store. Please call 1.800.851.8900 in the U.S. or 1.800.267.2826 in Canada or visit [hamiltonbeach.com](http://hamiltonbeach.com) in the U.S. or [hamiltonbeach.ca](http://hamiltonbeach.ca) in Canada. For faster service, locate the model, type, and series numbers on your appliance.



## ⚠️ AVERTISSEMENT



### Danger d'incendie.

- Si le contenu de votre grille-pain se met à brûler, n'ouvrez jamais la porte du grille-pain. Débranchez l'appareil et laissez le contenu s'arrêter de brûler avant d'ouvrir la porte.
- Ne faites jamais fonctionner en modes TOAST ou BROIL sans surveillance.
- N'utilisez jamais avec des sacs de cuisson au four.
- Laissez toujours au moins un pouce libre entre les aliments et l'élément de chauffage.
- Débranchez toujours votre grille-pain quand vous ne l'utilisez pas.
- Un nettoyage régulier réduit le danger d'incendie.

## PRÉCAUTIONS IMPORTANTES

Lors de l'utilisation d'appareils électroménagers, des précautions fondamentales de sécurité doivent toujours être observées, y compris ce qui suit :

1. Lire toutes les instructions.
2. Ne pas toucher les surfaces chaudes. Utiliser les poignées ou boutons.
3. Pour protéger contre le risque de choc électrique, ne pas immerger le cordon, la fiche ou le four grille-pain dans l'eau ou autre liquide.
4. Une bonne surveillance est nécessaire pour tout appareil utilisé par des enfants ou près d'eux.
5. Débrancher l'appareil de la prise de courant électrique lorsqu'il n'est pas utilisé et avant un nettoyage. Le laisser refroidir avant le nettoyage et avant d'y placer ou d'y enlever des pièces.
6. Ne pas faire fonctionner un appareil électroménager avec un cordon ou une fiche endommagée, ou lorsque l'appareil ne fonctionne pas bien ou a été échappé ou endommagé d'une manière quelconque. Appeler notre numéro sans frais de service à la clientèle pour des renseignements concernant l'examen, la réparation ou l'ajustement.
7. L'utilisation d'accessoires non recommandés par le fabricant d'appareil peut causer des blessures.
8. Ne pas utiliser à l'extérieur.
9. Ne pas laisser le cordon pendre du bord d'une table ou d'un comptoir, ou toucher des surfaces chaudes.
10. Ne pas placer l'appareil sur ou près d'un brûleur chaud à gaz ou d'un élément électrique, ou dans un four chauffé.
11. Une précaution extrême doit être employée lors du déplacement d'un appareil électroménager contenant de l'huile chaude ou autre liquide chaud.
12. Pour débrancher l'appareil, tourner tous les réglages à ARRÊT (OFF), ensuite retirer la fiche de la prise de courant murale.
13. Une prudence extrême s'impose lors de l'enlèvement du plateau ou de la vidange de graisse chaude.
14. Ne pas nettoyer avec des tampons à récurer en métal. Des particules peuvent se détacher du tampon et toucher les pièces électriques, créant un risque de choc électrique.
15. Des aliments ou des ustensiles de métal de grosseur excessive ne doivent pas être insérés dans un four grille-pain, car ils peuvent créer un incendie ou un risque de choc électrique.
16. Un incendie peut survenir si le four grille-pain est recouvert, touche ou est près de matériaux inflammables, y compris rideaux, tentures, murs et autres articles semblables, lorsqu'il fonctionne. Ne pas remiser des articles sur le dessus de l'appareil lorsqu'il est utilisé, ou avant le refroidissement de l'appareil.

17. Une grande précaution doit être prise lors de l'utilisation de contenants construits en matériaux autre que le métal ou le verre.
18. Ne pas remiser des matériaux autres que les accessoires recommandés par le fabricant dans cet appareil lorsqu'il n'est pas utilisé.
19. Ne pas placer l'un des matériaux suivants dans le four : papier, carton, plastique et articles semblables.
20. Ne pas couvrir le plateau à miettes ou toute pièce du four avec du papier métallique. Ceci causera un surchauffage du four.
21. Pour éteindre le four, tourner la bouton de grillage/minuterie et OFF (arrêt) à la position arrêt (OFF). Voir la section « Pièces et caractéristiques ».
22. Ne pas placer les yeux ou le visage près de la porte en verre renforcé de sécurité, au cas où le verre de sécurité se briserait.
23. Toujours utiliser cet appareil avec le plateau à miettes bien en place.
24. Ne pas utiliser cet appareil pour tout autre usage que celui recommandé.
25. Nettoyer l'intérieur du four avec précaution. Ne pas égratigner ou endommager le tube de l'élément chauffant.
26. Vérifiez que la commande est sur OFF (arrêt) avant de brancher le cordon dans une prise murale. Pour débrancher, mettre l'appareil hors tension en la commande à OFF (arrêt) puis débrancher la fiche de la prise murale.

## CONSERVER CES INSTRUCTIONS !

### RENSEIGNEMENTS DE SÉCURITÉ AUX CONSOMMATEURS

**Cet appareil est destiné à l'utilisation domestique seulement.**

**AVERTISSEMENT !** Risque d'électrocution : Cet appareil électroménager possède une fiche polarisée (une broche large) qui réduit le risque d'électrocution. Cette fiche n'entre que dans un seul sens dans une prise polarisée. Ne contrecarrez pas l'objectif sécuritaire de cette fiche en la modifiant de quelque manière que ce soit ou en utilisant un adaptateur. Si vous ne pouvez pas insérer complètement la fiche dans la prise, inversez la fiche. Si elle refuse toujours de s'insérer, faire remplacer la prise par un électricien.

La longueur du cordon installé sur cet appareil a été sélectionnée afin de réduire les risques d'enchevêtrement ou de faux pas causés par un fil trop long. L'utilisation d'une rallonge approuvée est permise si le cordon est trop court. Les caractéristiques électriques de la rallonge doivent être équivalentes ou supérieures aux caractéristiques de l'appareil. Prendre toutes les précautions nécessaires pour installer la rallonge de manière à ne pas la faire courir sur le comptoir ou sur une table pour éviter qu'un enfant ne tire sur le cordon ou trébuche accidentellement.

Cet appareil est doté d'une porte en verre renforcé de sécurité. Le verre renforcé est quatre fois plus fort que le verre ordinaire et plus résistant aux bris. Le verre renforcé peut se briser, mais il se brise en pièces sans bords coupants. Il faut prendre soin d'éviter d'égratigner la surface de la porte ou d'endommager le contour. Si la porte a une égratignure ou un bris, composer notre numéro sans frais d'interurbain d'assistance à la clientèle.

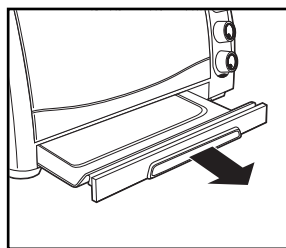
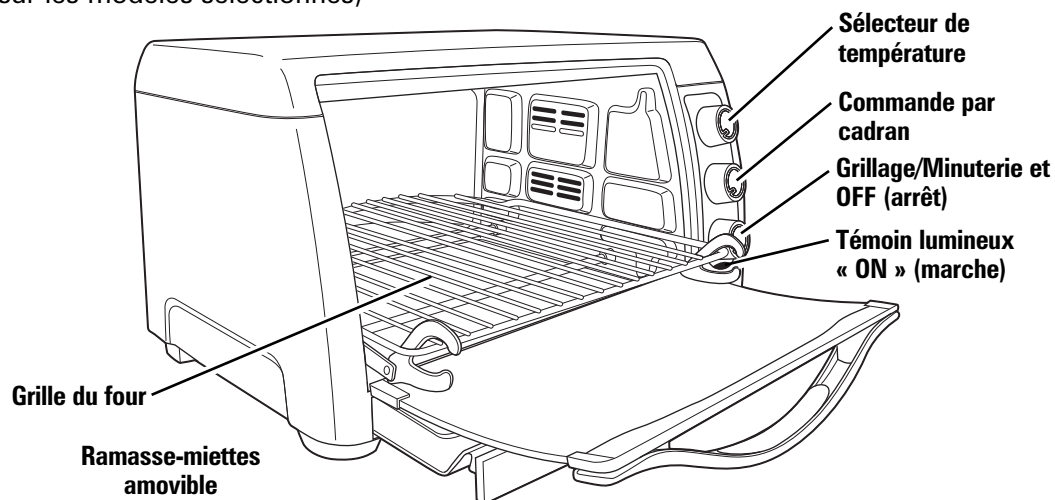
Toujours débrancher votre four grille-pain de la prise de courant lorsqu'il n'est pas utilisé.

#### **Avant la première utilisation**

La plupart des appareils ménagers qui chauffent produisent une odeur et/ou une fumée lors de l'utilisation pour la première fois. Brancher le four grille-pain dans une prise de courant. Tourner le Selecteur de température à 230 °C (450 F°). Chauffer à cette température pendant 10 minutes. L'odeur ne devrait pas survenir après ce préchauffage initial. **Nettoyer le plat à cuisson, grille du gril, et la grille du four avant l'utilisation.**

# Pièces et caractéristiques

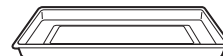
Cuisson par convection  
(sur les modèles sélectionnés)



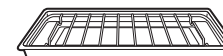
Grille/Zone grille-pain



Grille de cuisson au grill

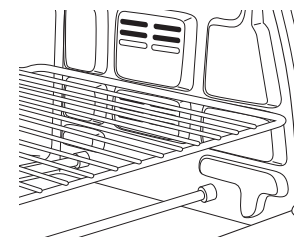


Plat de cuisson

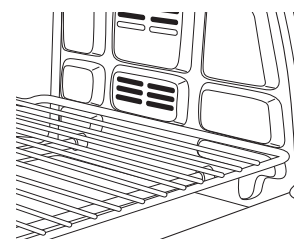


Grille du grill dans le plat de cuisson

**POSITION CENTRALE DE LA GRILLE** : cuisson, brunissage et grillage



**POSITION INFÉRIEURE DE LA GRILLE** : cuisson

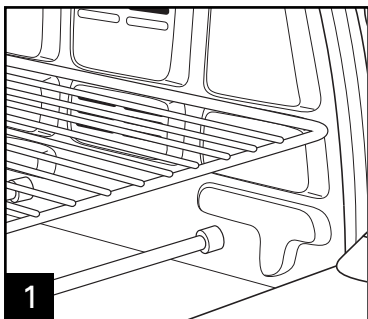


# Le grillage

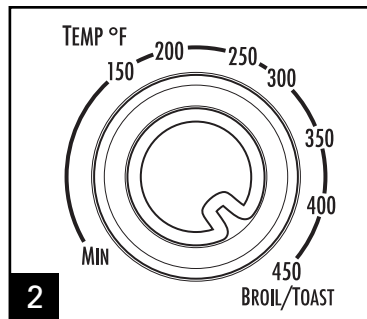
**⚠ AVERTISSEMENT** Risque d'incendie.

- Si les aliments s'enflamment, ne pas ouvrir la porte du four. Débrancher le four et laisser les aliments s'éteindre et refroidir avant d'ouvrir la porte.

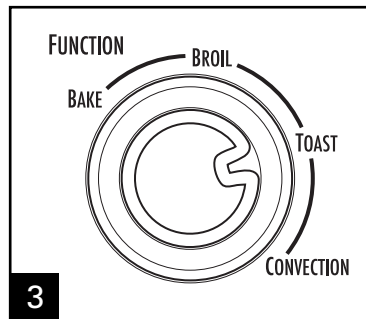
- Ne pas laisser l'appareil sans surveillance pendant le fonctionnement.
- Toujours débrancher le four grille-pain dès la fin de l'utilisation.



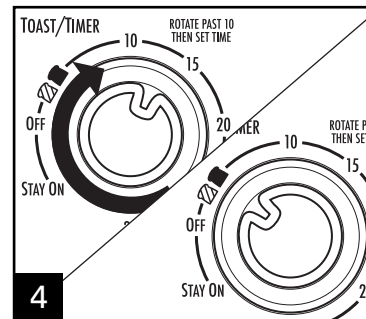
Placer la grille en **POSITION CENTRALE DE LA GRILLE** (illustrée) pour les rôties, muffins anglais, bagels, et gaufres.



Tourner le sélecteur de température à **BROIL/TOAST** (gril/brunissage).



Placer les aliments dans le four. Tourner la commande par cadran à **TOAST** (brunissage).



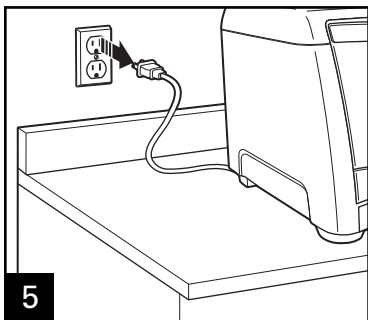
Tourner le bouton de brunir/minuterie et OFF (arrêt) au-delà de 10 puis revenir en arrière au degré de brunissage désiré. La sonnerie se fera entendre à la fin du programme. Tourner le bouton brunir/minuterie et OFF (arrêt) à **OFF** (arrêt) pour terminer le cycle à tout moment.



Moyenne

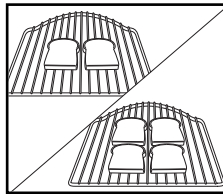


Foncée



## Le grillage (suite)

- **Pour le brunissage de deux tranches seulement**, placez le pain au centre de la zone grille-pain avec la grille en position haute pour obtenir un degré de brunissage uniforme aux deux côtés.
- Pour obtenir de meilleurs résultats, placez toujours le pain, les bagels, etc., dans la zone grille-pain.
- **Pour brunir les bagels, muffins anglais et les gaufres**, placez la grille à la position centrale et placez le côté de l'aliment coupé/séparé vers le bas. Ceci permettra d'obtenir un brunissage plus foncé sur le côté coupé/séparé de l'aliment. Tourner le bouton de brunir/minuterie et OFF (arrêt) à la position désirée.



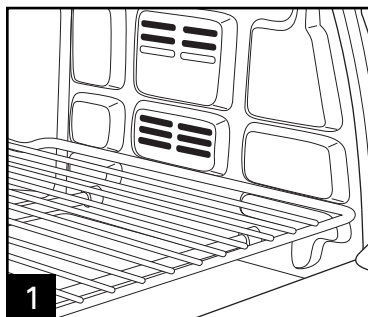
- **Pour brunir les grillardises ou les pâtisseries congelées**, placez la grille à la position centrale. Choisir une nuance plus pâle que « Medium » et griller directement sur la grille du four. Pour une pâtisserie avec glaçage, utiliser le plat à cuisson.
- Pendant le brunissage, de la **condensation** peut se former sur la porte du four. Cette humidité s'échappera lentement par la porte fermée du four.
- La **quantité** et la **fraîcheur** des tranches de pain affecteront le degré de brunissage. Par exemple, le brunissage de 4 tranches de pain nécessitera un réglage du niveau de brunissage plus élevé que pour deux tranches seulement. Régler le bouton de brunir/minuterie et OFF (arrêt) à la nuance désirée et à la quantité de tranches.
- Si vous n'êtes pas satisfaits de l'équilibre des nuances des deux côtés des aliments à la position de grille recommandée, choisissez une position de grille différente.

# Pour la cuisson

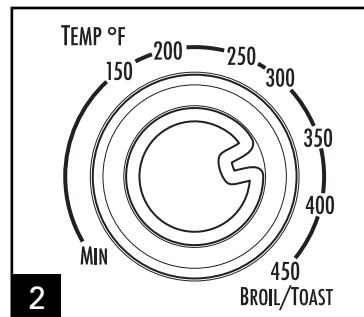
## ⚠ AVERTISSEMENT Risque d'incendie.

- Si les aliments s'enflamment, ne pas ouvrir la porte du four. Débrancher le four et laisser les aliments s'éteindre et refroidir avant d'ouvrir la porte.

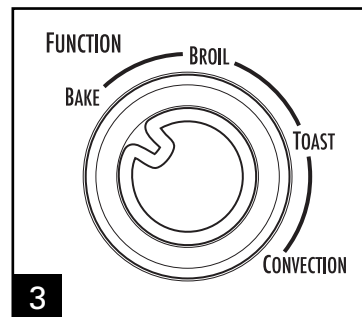
- Toujours laisser un pouce libre entre les aliments et l'élément de chauffage.
- Ne pas utiliser de sac de cuisson au four. Toujours débrancher le four grille-pain dès la fin de l'utilisation.



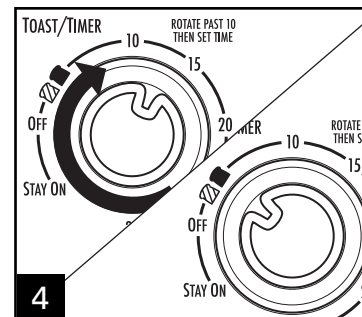
1 Placer la grille en **POSITION CENTRALE DE LA GRILLE** ou **POSITION INFÉRIEURE DE LA GRILLE** (selon les aliments à cuire). **POSITION INFÉRIEURE DE LA GRILLE** illustrée.



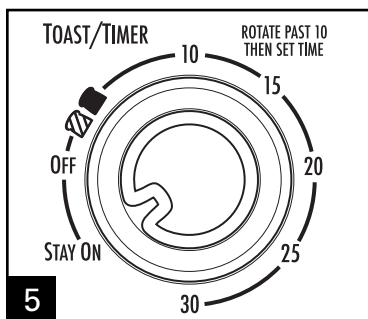
2 Tourner le sélecteur de température à la température désirée.



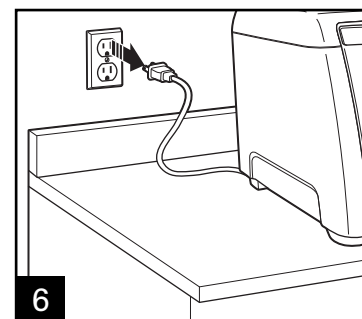
3 Tourner la commande par cadran à **BAKE** (cuisson).



4 Tourner le bouton de brunir/minuterie et OFF (arrêt) au-delà de 10 puis revenir en arrière à **■** pour préchauffer le four pendant 5 minutes avant de commencer la cuisson.



5 Après le préchauffage du four, régler la durée désirée en tournant le bouton de brunir/minuterie et OFF (arrêt) au-delà de 10 puis revenir en arrière jusqu'à la durée de grillage désirée ou tourner le bouton de brunir/minuterie et OFF (arrêt) sur **STAY ON** (continue). Tourner le bouton brunir/minuterie et OFF (arrêt) à **OFF** (arrêt) pour terminer le cycle à tout moment.



6

## *Pour la cuisson (suite)*

- Ne pas emballer hermétiquement les aliments dans le papier aluminium. L'aluminium isole les aliments et ralentit leur chauffage.
- Pour réchauffer des brioches ou biscuits, placer les aliments sur le plat de cuisson et chauffer à 148 °C (300 °F) pendant 10 minutes.
- Réchauffer les restes de viandes et plats mijotés à 176 °C (350 °F) pendant 20 à 30 minutes ou jusqu'à ce que les aliments soient entièrement réchauffés.
- Cuire les aliments comme les pizzas en plaçant en **POSITION CENTRALE DE LA GRILLE**. Placer les aliments directement sur la grille du four ou dans le plat de cuisson.
- Cuire les aliments comme le poulet entier en plaçant en **POSITION INFÉRIEURE DE LA GRILLE**. Placer les aliments dans le plat de cuisson.

ALIMENT	TEMPS DE CUISSON APPROX.	TEMPÉRATURES INTERNES	
		F	C
Poitrine de poulet fraîche	30 minutes	170°	77°
Filet de Poisson	15 minutes	145°	63°

Tourner les aliments à la mi-cuisson.

Veillez consulter [foodsafety.gov](http://foodsafety.gov) pour de plus amples informations sur les températures de cuisson appropriées.

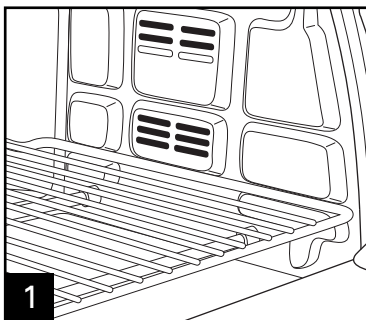
# Cuisson par convection

(sur les modèles sélectionnés)

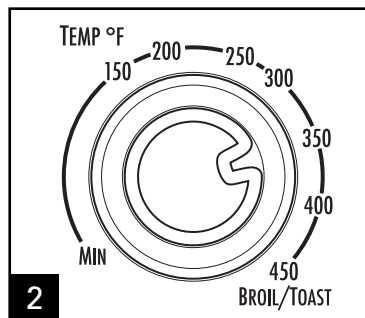
## ⚠ AVERTISSEMENT Risque d'incendie.

- Si les aliments s'enflamment, ne pas ouvrir la porte du four. Débrancher le four et laisser les aliments s'éteindre et refroidir avant d'ouvrir la porte.

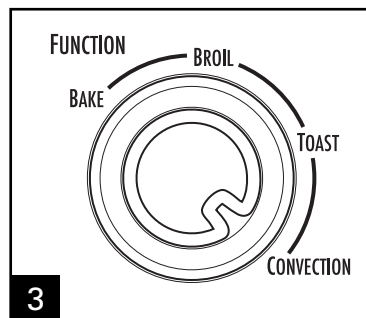
- Toujours laisser un pouce libre entre les aliments et l'élément de chauffage.
- Ne pas utiliser de sac de cuisson au four.
- Toujours débrancher le four grille-pain dès la fin de l'utilisation.



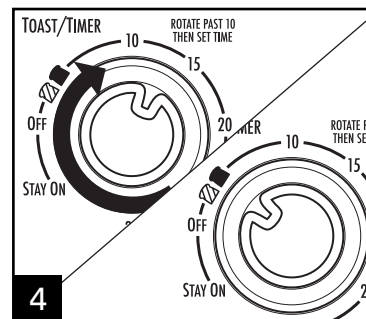
1 Placer la grille en **POSITION CENTRALE DE LA GRILLE** ou **POSITION INFÉRIEURE DE LA GRILLE** (selon les aliments à cuire). **POSITION INFÉRIEURE DE LA GRILLE** illustrée.



2 Tourner le sélecteur de température à la température désirée.



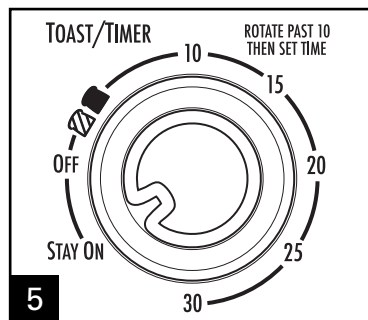
3 Tourner la commande par cadran à **CONVECTION**.



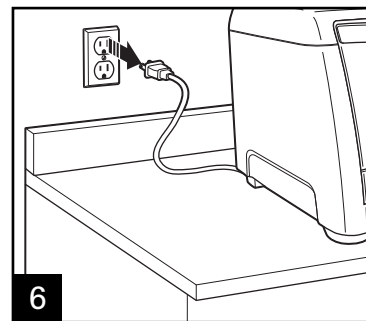
4 Tourner le bouton de brunir/minuterie et OFF au-delà de 10 puis revenir en arrière à ■ pour préchauffer le four pendant 5 minutes avant de commencer la cuisson.



## Cuisson par convection (suite)



Après le préchauffage du four, régler la durée désirée en tournant le bouton de brunir/minuterie et OFF au-delà de 10 puis revenir en arrière jusqu'à la durée de grillage désirée ou tourner le bouton de brunir/minuterie et OFF sur **STAY ON** (continue). Tourner le bouton brunir/minuterie et OFF à **OFF** (arrêt) pour terminer le cycle à tout moment.



- La fonction de cuisson par convection offre des aliments plus grillés et plus croustillants. Idéal pour les biscuits, pizzas et les viandes.
- La méthode de cuisson par convection nécessite une durée de cuisson un tiers de fois plus rapide que la cuisson traditionnelle. Lors de la première utilisation, vérifier et déterminer l'ajustement nécessaire de la durée et de la température de cuisson.
- Ne pas emballer hermétiquement les aliments dans le papier aluminium. L'aluminium isole les aliments et ralentit leur chauffage.
- Cuire les aliments comme les pizzas en plaçant en **POSITION CENTRALE DE LA GRILLE**. Placer les aliments directement sur la grille du four ou dans le plat de cuisson.
- Cuire les aliments comme le poulet entier en plaçant en **POSITION INFÉRIEURE DE LA GRILLE**. Placer les aliments dans le plat de cuisson.
- Fours à mode de cuisson par convection : Lors de la cuisson de pizza, utiliser le réglage de cuisson par convection et réduire la durée de cuisson de 25 %.

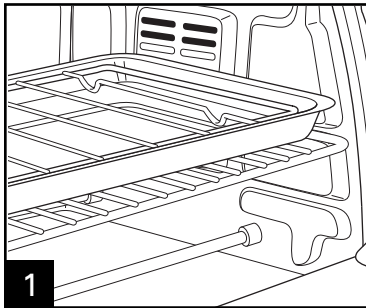
## Cuisson au gril

### ⚠ AVERTISSEMENT

#### Risque d'incendie.

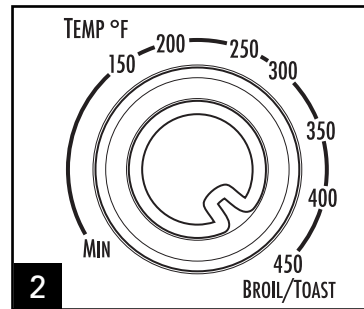
- Si les aliments s'enflamment, ne pas ouvrir la porte du four. Débrancher le four et laisser les aliments s'éteindre et refroidir avant d'ouvrir la porte.
- Ne pas laisser l'appareil sans surveillance pendant le fonctionnement.

- Laisser un pouce libre entre les aliments et l'élément de chauffage.
- Ne pas utiliser de sac de cuisson au four.
- Ne pas réchauffer les aliments dans des contenants en matière plastique.
- Suivre les instructions des fabricants d'aliments.



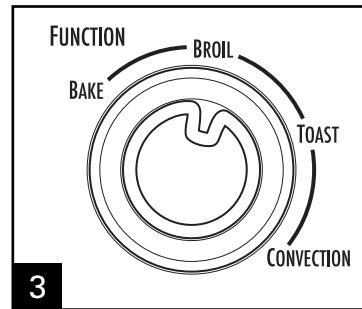
1

Placer la grille dans le four. Utiliser la **POSITION CENTRALE DE LA GRILLE** pour un grillage rapide ou la **POSITION INFÉRIEURE DE LA GRILLE** pour des aliments, comme le poulet, nécessitant un temps de grillage prolongé. Placer les aliments sur la grille du gril (un accessoire en option offert sur certains modèles) ou sur le plat de cuisson. Placer au four. **NE PAS PRÉCHAUFFER.**



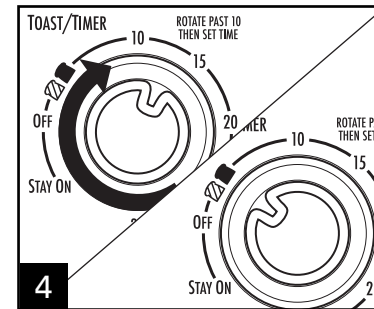
2

Tourner le sélecteur de température au à **BROIL/TOAST** (gril/brunissage).



3

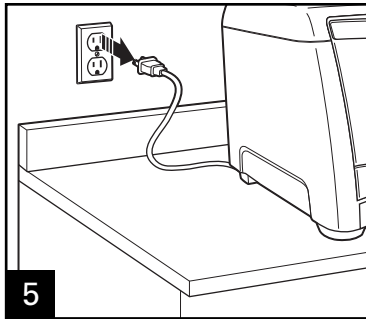
Tourner la commande par cadran à **BROIL** (gril).



4

Tourner le bouton de brunir/minuterie et OFF au-delà de 10 puis revenir en arrière à le temps de cuisson désirée ou tourner le bouton de brunir/minuterie et OFF sur **STAY ON** (continue). Retourner les aliments lorsqu'ils sont brunis ou à la mi-cuisson.

## Cuisson au grill (suite)



ALIMENT	TEMPS DE CUISSON AU GRIL APPROX.
Hamburgers	20 minutes
Hot-dogs	15 minutes
Saucisses longues ou galettes (percer les boyaux avant de cuire)	15 à 20 minutes
Poisson	15 minutes

Ces temps de cuisson représentent une moyenne et doivent être modifiés pour les goûts individuels. Tourner les aliments à la mi-cuisson.

Cuire le boeuf et le porc jusqu'à une température minimale de 71 °C (160 °F).

Cuire le poulet jusqu'à une température minimale de 73 °C (165 °F).

Cuire le poisson jusqu'à une température minimale 63 °C (145 °F) ou jusqu'à ce que le poisson soit opaque ou se détache à la fourchette.

Visitez les sites internet gouvernementaux pour plus d'information à propos des températures de cuisson.

### SI VOUS HABITEZ DANS UNE RÉGION À HAUTE ALTITUDE :

Les services de vulgarisation offrent les informations au sujet de la cuisson pour votre région. Pour trouver la coopérative de services de vulgarisation, veuillez visiter le site <http://www.csrees.usda.gov/Extension/>.

Rendez-vous sur [www.hamiltonbeach.ca](http://www.hamiltonbeach.ca) pour notre liste complète de produits et de nos manuels utilisateur – ainsi que nos délicieuses recettes, nos conseils et pour enregistrer votre produit en ligne !



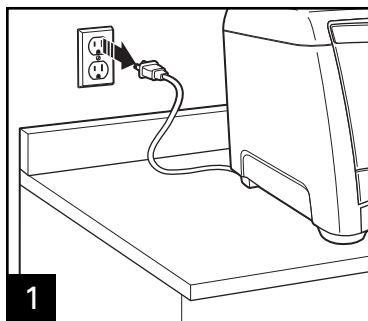
# Nettoyage

**⚠ AVERTISSEMENT**

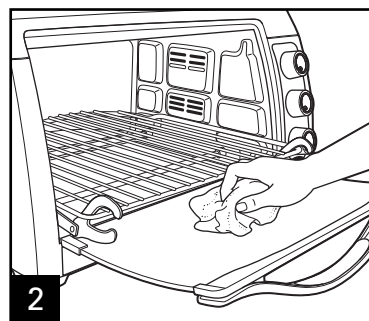
**Risque d'électrocution.**

Ne pas utiliser de tampon à récurer métallique pour le nettoyage. Des débris métalliques peuvent se détacher et tomber sur des composants électriques.

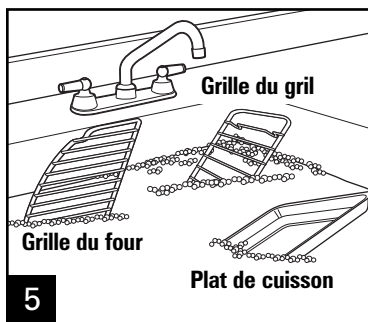
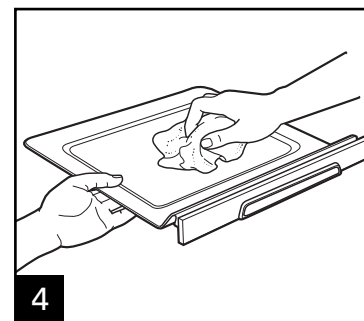
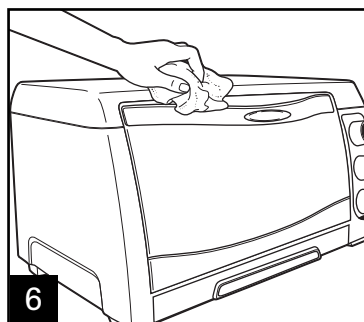
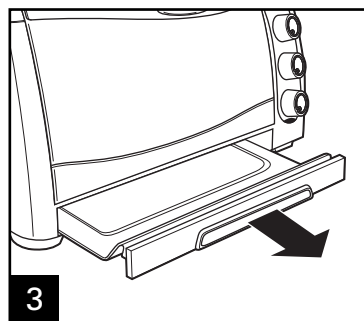
Nettoyer périodiquement le four grille-pain pour un rendement optimal et prolonger la durée de vie. Le nettoyage périodique diminue également le risque d'incendie.



**1** Débrancher et laisser refroidir.



**2** Pour le nettoyage intérieur du four, essuyer toutes les parois internes et la porte de verre avec un linge imbibé d'eau savonneuse. Répéter avant un linge propre et humide.



**3** Pour les taches tenaces, utiliser un tampon à récurer en plastique.

**4** Essuyer les parois extérieures du four avec un linge humide. Ne pas utiliser de nettoyants abrasifs ou de tampons à récurer.

# Dépannage

PROBLÈME	CAUSE POSSIBLE
Le four ne chauffe pas.	<ul style="list-style-type: none"><li>Assurer le fonctionnement de la prise murale et le branchement du four. Tourner le sélecteur de température à 180 °C (350 °F), tourner la commande par cadran à <b>BAKE</b> (cuisson) puis tourner la bouton de brunir/minuterie et OFF (arrêt) à <b>STAY ON</b> (continue).</li></ul>
Formation de condensation à l'intérieur du four et sur la porte pendant le brunissage.	<ul style="list-style-type: none"><li>Ceci est normal pendant le brunissage dans un four grille-pain. L'humidité s'échappe plus lentement d'un four grille-pain qu'un grille-pain. La quantité d'humidité dégagée variera selon la fraîcheur du pain, des bagels et des pâtisseries congelées.</li></ul>
Odeur et fumée émanant du four.	<ul style="list-style-type: none"><li>La fumée et l'odeur qui se dégagent sont normales au cours de la première utilisation de la plupart des appareils chauffants. Ceci ne devrait pas se répéter au cours des utilisations ultérieures.</li></ul>
Aucun brunissage.	<ul style="list-style-type: none"><li>Assurer le fonctionnement de la prise murale et le branchement du four. Tourner le sélecteur de température à <b>TOAST/BROIL</b> (brunissage/gril), tourner la commande par cadran à <b>TOAST</b> (brunir) et tourner le bouton brunir/minuterie et OFF (arrêt) au-delà de 10 puis revenir en arrière à la nuance de brunissage désirée.</li></ul>
Quelques aliments brûlent alors que d'autres ne sont pas cuits.	<ul style="list-style-type: none"><li>Ajuster la position adéquate de la grille de manière à disposer les aliments au centre du four.</li><li>Régler la température du four ou le temps de cuisson pour obtenir des résultats optimaux selon les recettes utilisées.</li></ul>

## Garantie limitée

Cette garantie s'applique aux produits achetés et utilisés aux É.-U. et au Canada. C'est la seule garantie expresse pour ce produit et est en lieu et place de tout autre garantie ou condition.

Ce produit est garanti contre tout défaut de matériaux et de main-d'oeuvre pour une période de un (1) an à compter de la date d'achat d'origine. Au cours de cette période, votre seul recours est la réparation ou le remplacement de ce produit ou tout composant s'avérant défectueux, à notre gré, mais vous êtes responsable de tous les coûts liés à l'expédition du produit et le retour d'un produit ou d'un composant dans le cadre de cette garantie. Si le produit ou un composant n'est plus offert, nous le remplacerons par un produit similaire de valeur égale ou supérieure.

Cette garantie ne couvre pas le verre, les filtres, l'usure d'un usage normal, l'utilisation non conforme aux directives imprimées, ou des dommages au produit résultant d'un accident, modification, utilisation abusive ou incorrecte. Cette garantie s'applique seulement à l'acheteur original ou à la personne l'ayant reçu en cadeau. La présentation du reçu de vente d'origine comme preuve d'achat est nécessaire pour faire une réclamation au titre de cette garantie. Cette garantie s'annule si le produit est utilisé autrement que par une famille ou si l'appareil est soumis à toute tension ou forme d'onde différente des caractéristiques nominales précisées sur l'étiquette (par ex. : 120 V ~ 60 Hz).

Nous excluons toutes les réclamations au titre de cette garantie pour les dommages spéciaux, consécutifs et indirects causés par la violation de garantie expresse ou implicite. Toute responsabilité est limitée au prix d'achat. **Chaque garantie implicite, y compris toute garantie ou condition de qualité marchande ou d'adéquation à un usage particulier, est exonérée, sauf dans la mesure interdite par la loi, auquel cas la garantie ou condition est limitée à la durée de cette garantie écrite.** Cette garantie vous donne des droits légaux précis. Vous pouvez avoir d'autres droits qui varient selon l'endroit où vous habitez. Certaines provinces ne permettent pas les limitations sur les garanties implicites ou les dommages spéciaux ou indirects de telle sorte que les limitations ci-dessus ne s'appliquent peut-être pas à votre cas.

Ne pas retourner cet appareil au magasin lors d'une réclamation au titre de cette garantie. Téléphoner au 1.800.851.8900 aux É.-U. ou au 1.800.267.2826 au Canada ou visiter le site internet [www.hamiltonbeach.com](http://www.hamiltonbeach.com) aux É.-U. ou [www.hamiltonbeach.ca](http://www.hamiltonbeach.ca) au Canada. Pour un service plus rapide, trouvez le numéro de modèle, le type d'appareil et les numéros de série sur votre appareil.

## ADVERTENCIA



### **Peligro de Incendio.**

- Si los contenidos se prenden fuego, no abra la puerta del horno. Desenchufe el horno y espere que los contenidos dejen de quemarse y que se enfríen antes de abrir la puerta.
- No haga funcionar sin atención mientras se encuentre en el modo Toast (tostar) o el modo Broil (asar).
- No utilice con bolsas de cocción para horno.
- Siempre deje por lo menos una pulgada entre los alimentos y el elemento calentador.
- Siempre desenchufe la tostadora cuando no la esté usando.
- Una limpieza regular reduce el riesgo de peligro de incendio.

## SALVAGUARDIAS IMPORTANTES

Cuando use aparatos eléctricos, es importante seguir todas las precauciones básicas de seguridad que incluyen lo siguiente:

1. Le invitamos a leer cuidadosamente este instructivo antes de usar su aparato.
2. Verifique que el voltaje de su instalación corresponda con el del producto.
3. No toque superficies calientes. Use manijas o perillas.
4. Para protegerse contra el riesgo de choque eléctrico, no sumerja el cable, el enchufe o el horno eléctrico en agua ni en ningún otro líquido.
5. Es necesario que haya buena supervisión cuando los niños utilicen aparatos o cuando éstos se estén utilizando cerca de niños.
6. Desenchúfelo del tomacorriente cuando no lo esté usando y antes de la limpieza. Deje que el aparato se enfríe antes de limpiarlo o de colocar o sacar alguna pieza.
7. No opere ningún aparato eléctrico si el cable o el enchufe esta averiado, después de un mal funcionamiento del aparato, o si éste se ha caído o averiado de alguna forma. Llame a nuestro número gratuito de servicio al cliente para información sobre examinación, reparación o ajuste.
8. El uso de accesorios no recomendados por fabricante de electrodomésticos puede causar lesiones.
9. No lo use al aire libre.
10. No deje que el cable cuelgue sobre el borde de una mesa o de un mostrador, o que toque alguna superficie caliente.
11. No coloque el aparato sobre o cerca de un quemador a gas o eléctrico caliente, ni dentro de un horno caliente.
12. Es importante tener extremo cuidado cuando se mueva un aparato eléctrico que contenga aceite caliente u otros líquidos calientes. Asegúrese de permitir que el aceite o los líquidos calientes se enfríen antes de mover el aparato.
13. Para desconectar, coloque todos los controles en la posición de apagado (OFF) y luego saque el enchufe del tomacorriente.
14. Tenga mucho cuidado cuando saque la charola o elimine la grasa caliente.
15. No limpie con esponjillas metálicas. La esponjilla se puede desintegrar y los trozos pueden tocar las partes eléctricas, creando un riesgo de choque eléctrico.
16. No introduzca alimentos de tamaño demasiado grande ni utensilios metálicos en el horno eléctrico ya que pueden crear un incendio o riesgo de choque eléctrico.

17. Puede ocurrir un incendio si el horno eléctrico se cubre, toca o se encuentra cerca de materiales inflamables, incluyendo cortinas, colgaduras, paredes y superficies similares cuando esté funcionando. No guarde ningún artículo sobre el aparato cuando esté funcionando, o antes de que se enfríe.
18. Se debe tener mucho cuidado cuando se usan envases que no sean de metal o de vidrio.
19. No guarde ningún material adentro del horno cuando no se use, exceptuando los accesorios recomendados por el fabricante.
20. No coloque ninguno de los siguientes materiales en el horno: papel, cartón, plástico y similares.
21. No cubra la charola para migajas ni ninguna otra parte del horno con papel metálico. Eso hará que el horno se recaliente.
22. Para apagar el horno, coloque el Función de Toaster/Programador de Tiempo y OFF (apagado) en la posición de OFF (apagado). Consulte la sección "Piezas y Características".
23. No ponga los ojos o la cara cerca de la puerta de seguridad de vidrio templado, en caso de que el vidrio de seguridad se rompa.
24. Siempre use el aparato con la charola para migajas firmemente en su lugar.
25. No use el aparato eléctrico para ningún otro fin que no sea el indicado.
26. Limpie con cuidado el interior del horno. No raye ni dañe el tubo del elemento de calentamiento.
27. Compruebe que el control está apagado antes de enchufar el cable en el enchufe del tomacorriente. Para desconectar, coloque de control en la posición de apagado (OFF) y luego saque el enchufe del tomacorriente.

## ¡GUARDE ESTAS INSTRUCCIONES! INFORMACIÓN PARA LA SEGURIDAD DEL CONSUMIDOR

**Este aparato ha sido diseñado solamente para uso doméstico.**

**¡ADVERTENCIA!** Peligro de Descarga Eléctrica: Este aparato cuenta con un enchufe polarizado (una pata más ancha) que reduce el riesgo de una descarga eléctrica. El enchufe embona únicamente en una dirección dentro de un tomacorriente polarizado. No trate de obviar el propósito de seguridad del enchufe modificándolo de alguna manera o utilizando un adaptador. Si el enchufe no entra completamente en la toma, invierta el enchufe. Si aún no entra, haga que un eléctrico reemplace la toma.

El largo del cable que se usa en este aparato fue seleccionado para reducir el peligro de que alguien se enganche o tropiece con un cable más largo. Si es necesario usar un cable más largo, se podrá usar un cable de extensión aprobado. La clasificación eléctrica nominal del cable de extensión debe ser igual o mayor que la clasificación nominal del aparato. Es importante tener cuidado de colocar el cable de extensión para que no se pliegue sobre el mostrador o la mesera en donde niños puedan tirar del mismo o tropezarse accidentalmente.

32

Este aparato viene equipado con una puerta de seguridad de vidrio totalmente templado. El vidrio templado es cuatro veces más fuerte que el vidrio común y más resistente a las roturas. El vidrio templado se puede romper, sin embargo se rompe en trozos sin bordes filosos. Es importante tener cuidado para evitar rayar la superficie de la puerta o hacer muescas en los bordes. Si la puerta está rayada o tiene muescas, llame a nuestro número gratuito de servicio al cliente.

Siempre desenchufe el horno eléctrico del tomacorriente cuando no lo esté usando.

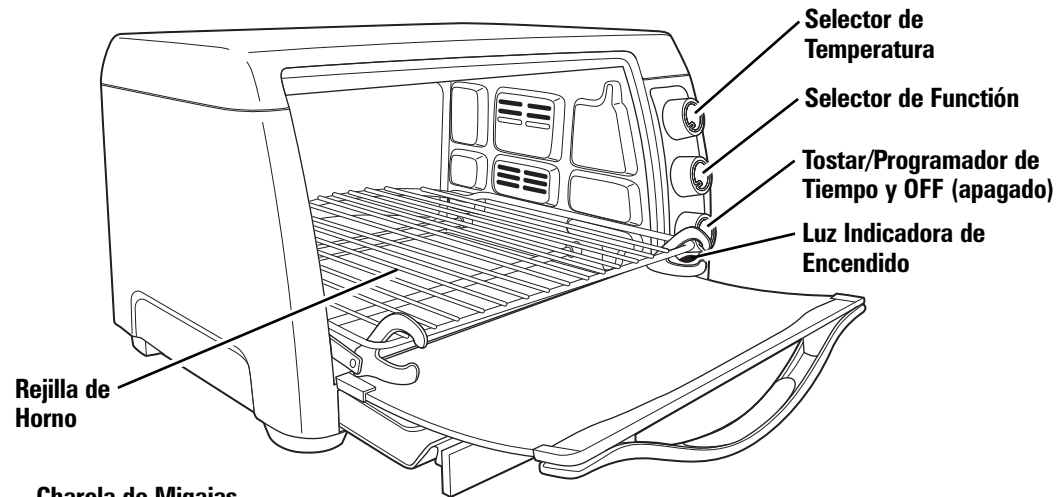
### **Antes del primer uso**

La mayoría de los aparatos de calentamiento producen un olor y/o humo cuando se usan por primera vez. Enchufe el horno eléctrico en el tomacorriente. Coloque la Perilla de selector temperatura a 450°F (230°C). Caliente a esta temperatura por 10 minutos. El olor deberá desaparecer después del precalentamiento inicial. **Lave la bandeja para hornear, estante de asado, y la rejilla del horno antes de usarlos.**

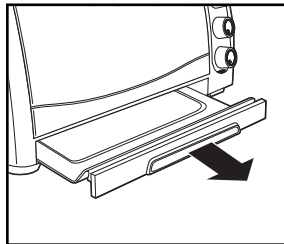


# Partes y Características

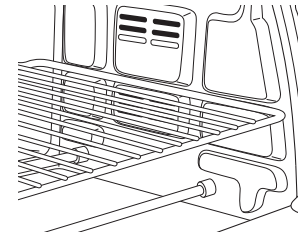
Horneado por Convección  
(en modelos selectos)



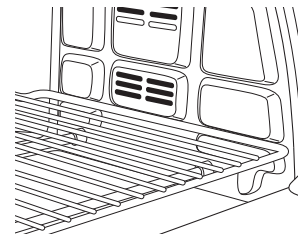
Charola de Migajas Deslizante



POSICIÓN MEDIA DE LA REJILLA: cocer y asar



POSICIÓN BAJA DE LA REJILLA: cocer

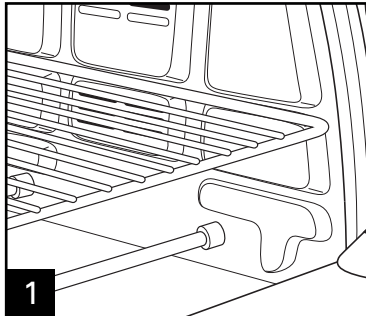


# Como Tostar

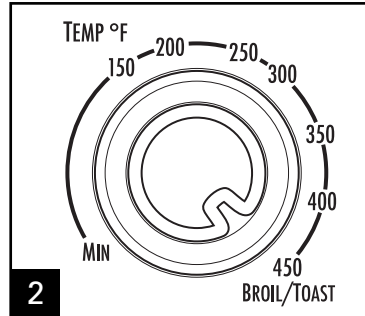
**⚠ ADVERTENCIA** **Riesgo de Fuego.**

- Si el contenido prende fuego, no abra la puerta del horno. Desconecte el horno y deje que el contenido deje de quemarse y se enfríe antes de abrir la puerta.

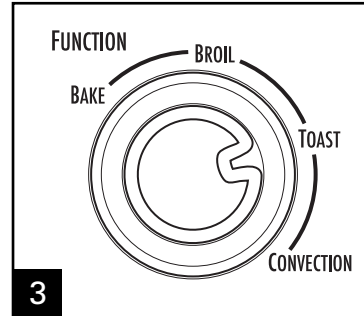
- No deje el aparato desatendido cuando esté funcionando.
- Siempre desconecte el horno tostador cuando no esté en uso.



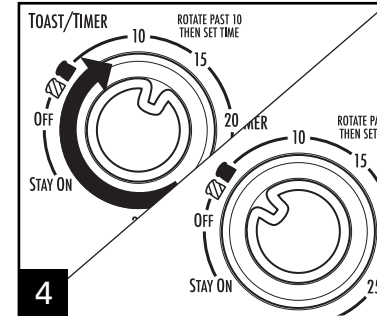
**1** Coloque la rejilla en **LA POSICIÓN MEDIA DE LA REJILLA** (como se muestra) para tostar panecillos ingleses, bagels, y waffles.



**2** Gire el Selector de Temperatura a **BROIL/TOAST** (asar/tostar).



**3** Coloque el alimento en el horno. Gire el Selector de Función de **TOAST** (tostar).



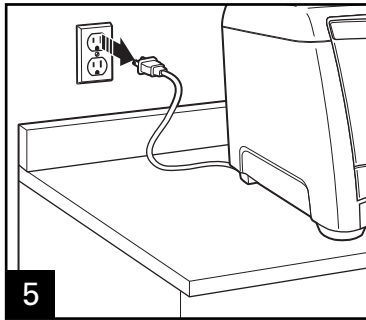
**4** Gire el Función de Tostar/ Programador de Tiempo y OFF (apagado) a más de 10 luego de vuelta a al color de tostado deseado. Sonará una campana cuando el ciclo de tostado esté completo. Gire la función Toaster/ Programador de Tiempo y OFF (apagado) a **OFF** (apagado) para finalizar el ciclo en cualquier momento.



Intermedio



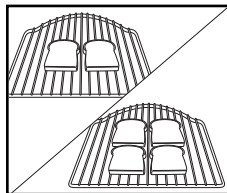
Oscuro



**5**

## Como Tostar (cont.)

- **Cuando tueste sólo dos piezas de pan,** coloque el pan en el centro del área de tostado en la posición alta de la rejilla para conseguir un tostado parejo en la parte inferior y superior.
- Para mejores resultados, siempre coloque el pan, bagels, etc., dentro del área de tostado.
- **Para tostar bagels, panecillos ingleses, y waffles** coloque la rejilla en la posición media y coloque la parte cortada/rebanada hacia abajo. Esto tostará el lado cortado/rebanado más que la parte exterior del alimento. Ajuste la Toaster/Programador de Tiempo y OFF (apagado) al ajuste deseado.



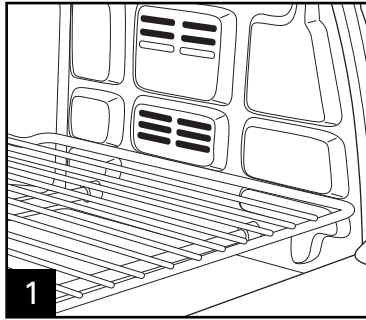
- **Para tostar repostería de tostador regular o rostería congelada,** coloque en la rejilla del horno en la posición media. Seleccione un color más claro que Medio y tueste directamente sobre la rejilla del horno. Si la repostería tiene glaseado, use el sartén de cocción.
- Cuando tueste se puede formar **condensación** en la puerta del horno. La humedad se escapará lentamente del horno cerrado.
- El **número de rebanadas** de pan y la **frescura del pan** afectará el color del tostado del pan. Por ejemplo, tostar 4 rebanadas de pan requerirá un ajuste de color de tostado más oscuro que 2 rebanadas de pan. Ajuste la Toaster/Programador de Tiempo y OFF (apagado) basado en el color deseado y número de rebanadas.
- Si no está satisfecho con el balance de color entre los dos lados de su alimento en la posición de la rejilla recomendada, seleccione una posición de la rejilla diferente.

# Como Cocinar

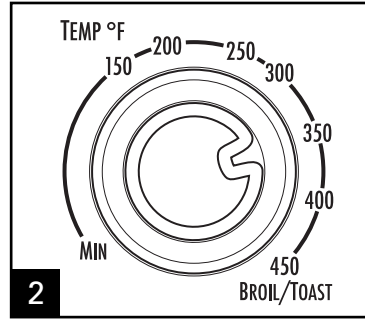
## ⚠ ADVERTENCIA Riesgo de Fuego.

- Si el contenido prende fuego, no abra la puerta del horno.
- Desconecte el horno y deje que el contenido deje de quemarse y se enfríe antes de abrir la puerta.

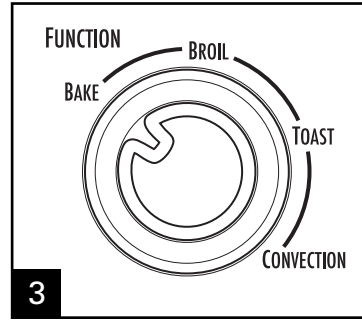
- Siempre deje por los menos una pulgada entre la comida y el elemento de calor.
- No use bolsas para cocinar en el horno.
- Siempre desconecte el horno tostador cuando no esté en uso.



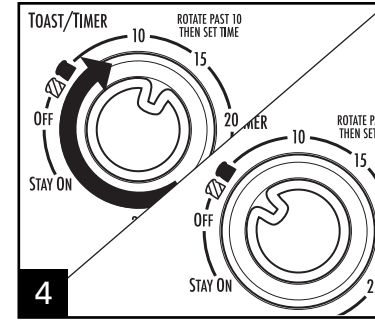
Coloque la rejilla en la **POSICIÓN MEDIA DE LA REJILLA** o **POSICIÓN INFERIOR DE LA REJILLA** (dependiendo del alimento a ser cocinado). Se muestra la **POSICIÓN INFERIOR DE LA REJILLA**.



Gire el Selector de Temperatura a la temperatura deseada.

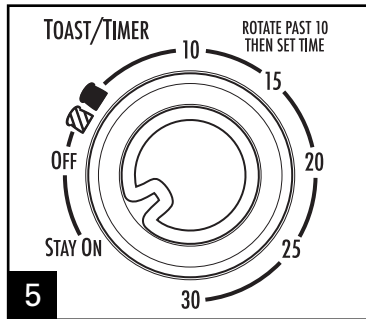


Gire el Selector de Función a **BAKE** (cocinar).

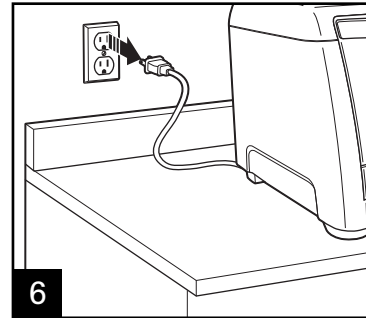


Gire el Toaster/Programador de Tiempo y OFF (apagado) a más de 10 luego de vuelta a **OFF** para precalentar el horno por 5 minutos antes de comenzar a cocinar.

## Como Cocinar (cont.)



Después de precalentar el horno, ajuste el Toaster/Programador de Tiempo y OFF (apagado) al tiempo deseado al rotar la Toaster/Programador de Tiempo y OFF (apagado) a más de 10 luego al tiempo de cocinado deseado o gire el Toaster/Programador de Tiempo y OFF (apagado) a **STAY ON** (dejar encendido). Gire la función Toaster/Programador de Tiempo y OFF (apagado) a **OFF** (apagado) para finalizar el ciclo en cualquier momento.



- No encierre completamente el alimento en papel aluminio. El papel puede aislar el alimento y retardar el calentamiento.
- Para recalentar rollos o bisquets, coloque en el sartén de cocción y caliente a 300°F (149°C) por 10 minutos.
- Recaliente los rostizados o cacerolas a 350°F (177°C) o por 20 a 30 minutos o hasta que esté bien calentado.

- Cocine alimentos tales como pizza en el **POSICIÓN MEDIA DE LA REJILLA**. Coloque el alimento directo en la rejilla del horno o en el sartén de cocción.
- Cocine alimentos tales como pollo entero en el **POSICIÓN BAJA DE LA REJILLA**. Coloque el alimento en el sartén de cocción.

ALIMENTO	TIEMPOS DE HORNEADO APROX.	F	C
Pechuga de pollo frescat	30 minutos	170°	77°
Filete de pescado	15 minutos	145°	63°

Gire el alimento media vuelta a lo largo del tiempo de cocción. Visite [foodsafety.gov](http://foodsafety.gov) para más información sobre temperaturas de cocción seguras.

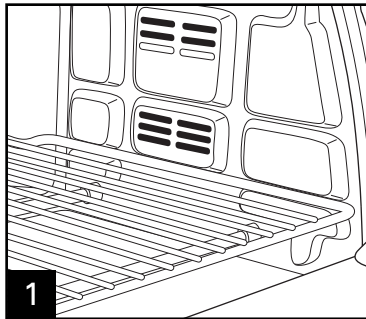
# Horneado por Convección

(en modelos selectos)

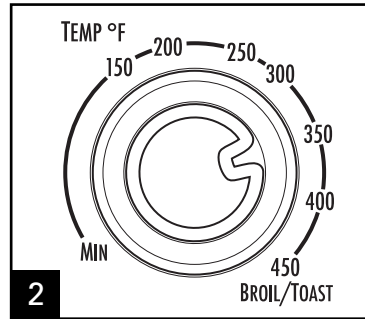
**⚠ ADVERTENCIA** **Riesgo de Fuego.**

- Si el contenido prende fuego, no abra la puerta del horno.
- Desconecte el horno y deje que el contenido deje de quemarse y se enfríe antes de abrir la puerta.

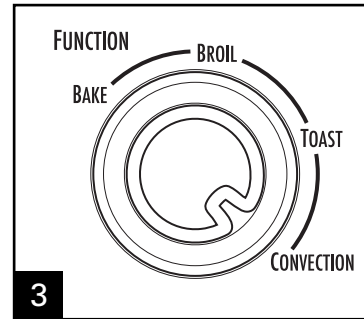
- Siempre deje por los menos una pulgada entre la comida y el elemento de calor.
- No use bolsas para cocinar en el horno.
- Siempre desconecte el horno tostador cuando no esté en uso.



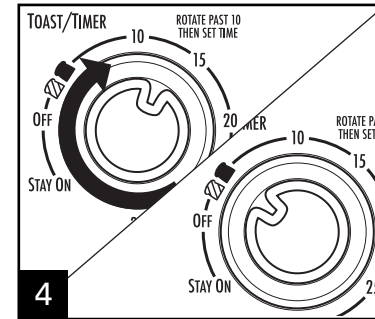
**1** Coloque la rejilla en la **POSICIÓN MEDIA DE LA REJILLA** o **POSICIÓN INFERIOR DE LA REJILLA** (dependiendo del alimento a ser cocinado). Se muestra la **POSICIÓN INFERIOR DE LA REJILLA**.



**2** Gire el Selector de Temperatura a la temperatura deseada.

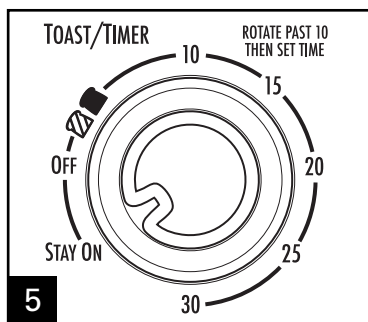


**3** Gire el Marcador de Función para **CONVECTION** (convección).

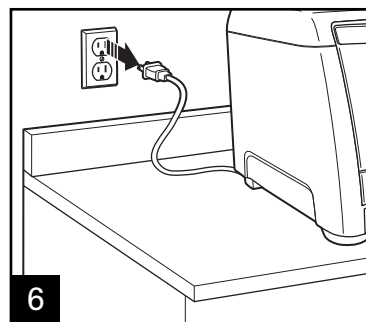


**4** Gire el Toaster/Programador de Tiempo y OFF (apagado) a más de 10 luego de vuelta a **■** para precalentar el horno por 5 minutos antes de comenzar a cocinar.

## Horneado por Convección (cont.)



Después de precalentar el horno, ajuste el Toaster/Programador de Tiempo y OFF (apagado) al tiempo deseado al rotar la Toaster/Programador de Tiempo y OFF (apagado) a más de 10 luego al tiempo de cocinado deseado o gire el Toaster/Programador de Tiempo y OFF (apagado) a **STAY ON** (dejar encendido). Gire la función Toaster/Programador de Tiempo y OFF (apagado) a **OFF** (apagado) para finalizar el ciclo en cualquier momento.



- La función de horneado por convección provee un dorado y crujiente superior a los alimentos. Es ideal para galletas, pizza y carnes.
- El método por convección cocina hasta un tercio más rápido que el horneado tradicional. Cuando lo use por primera vez, revise para determinar si el tiempo o la temperatura debe ser ajustada.
- No encierre completamente el alimento en papel aluminio. El papel puede aislar el alimento y retardar el calentamiento.

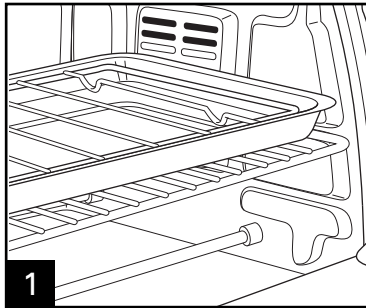
- Cocine alimentos tales como pizza en el **POSICIÓN MEDIA DE LA REJILLA**. Coloque el alimento directo en la rejilla del horno o en el sartén de cocción.
- Cocine alimentos tales como pollo entero en el **POSICIÓN BAJA DE LA REJILLA**. Coloque el alimento en el sartén de cocción.
- Hornos con modo por convección: Cuando hornee pizzas, utilice la configuración por convección y reduzca el tiempo de cocción en 25%.

# Como Asar

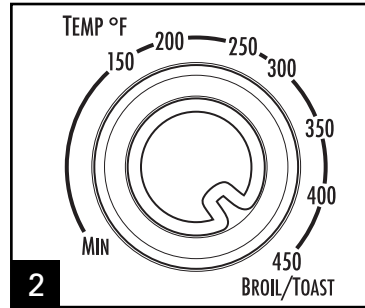
**⚠ ADVERTENCIA Riesgo de Fuego.**

- Si el contenido prende fuego no abra la puerta del horno. Desconecte el horno y deje que el contenido deje de quemarse y se enfríe antes de abrir la puerta.
- No deje el horno desatendido mientras está en operación.

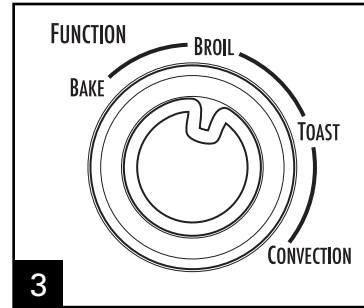
- Deje una pulgada entre el alimento y el elemento de calor.
- No use bolsas para cocinar en horno.
- No caliente la comida en contenedores de plástico.
- Siga las instrucciones del fabricante del alimento.



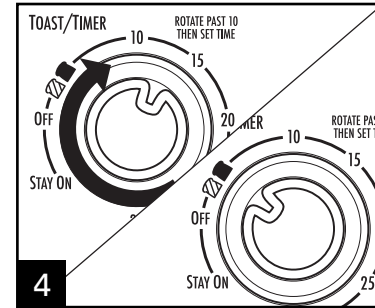
**1** Coloque la rejilla en el horno. La **POSICIÓN MEDIA DE LA REJILLA** para tiempos de asado más rápidos o la **POSICIÓN BAJA DE LA REJILLA** para alimentos que necesitan más tiempo de asado, como pollo. Coloque el alimento sobre el rejilla de asado (accesorio opcional disponible en modelos selectos) o en el sartén de cocción. Coloque en el horno. **NO PRECALIENTE EL HORNO.**



**2** Gire el Selector de función a **BROIL/TOAST** (asar/tostar).



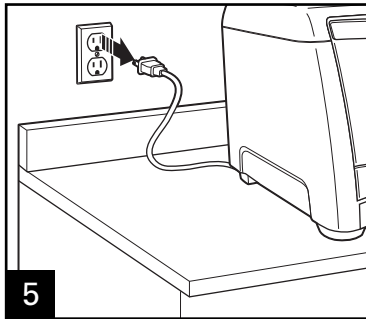
**3** Gire el Selector de Temperatura a **BROIL** (asar).



**4** Gire el Toaster/Programador de Tiempo y OFF (apagado) a más de 10 luego de vuelta a tiempo de cocción deseado o gire el Toaster/Programador de Tiempo y OFF (apagado) a **STAY ON** (dejar encendido). Gire los alimentos cuando estén oscuros a la mitad del tiempo de cocción.



## Como Asar (cont.)



ALIMENTO	TIEMPO DE ASADO APROX.
Hamburguesas	20 minutos
Hot Dogs	15 minutos
Salchichas y embutidos (agujere los empaques antes de cocinar)	15 a 20 minutos
Pescado	15 minutos

Estos tiempos de cocción son un promedio y deben de ajustarse a las preferencias personales. Gire el alimento media vuelta a lo largo del tiempo de cocción.

Cocine la carne de res y de puerco a por lo menos 160°F (71°C).

Cocine el pollo a al menos 165°F (73°C).

Cocine el pescado a al menos 145°F (63°C) o hasta que esté opaco o descascara con el tenedor.

Visite **foodsafety.gov** para más información sobre temperaturas seguras de cocinado.

### SI USTED VIVE EN UNA ÁREA DE ALTITUD ELEVADA:

El servicio de extensión tendrá información detallada sobre cocción en su área. Para ubicar el servicio de extensión cooperativa en su condado, tenga a bien visitar la siguiente página: <http://www.csrees.usda.gov/Extension/>.

¡Visite [www.hamiltonbeach.com.mx](http://www.hamiltonbeach.com.mx) para obtener nuestra línea completa de productos y las Guías de Uso y Cuidado, además de deliciosas recetas, consejos y para registrar su producto en línea!

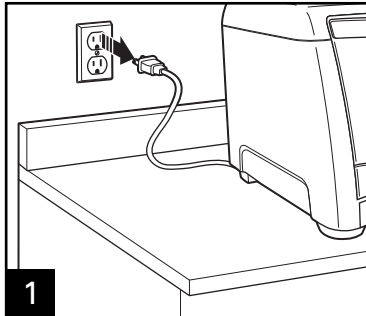


# Limpieza

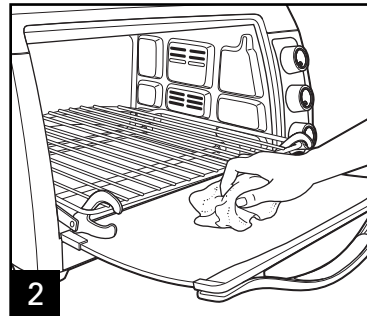
## **⚠ ADVERTENCIA Peligro de Descarga Eléctrica.**

No limpie con estropajos metálicos. Las piezas pueden romper la almohadilla y tocar partes eléctricas.

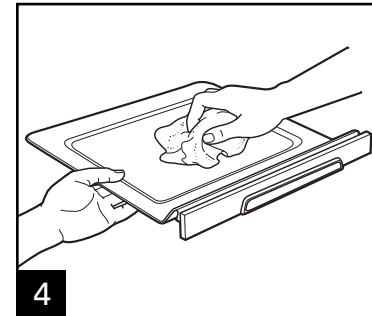
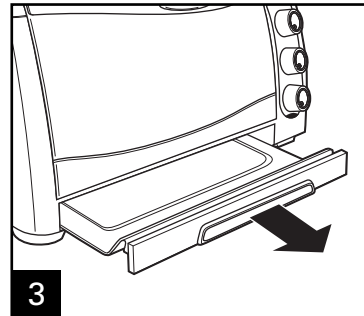
Su horno tostador debe limpiarse regularmente para un mejor desempeño y una larga vida. La limpieza regular también reducirá el riesgo de fuego.



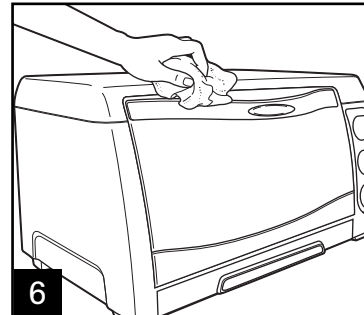
Desenchufe y deje que se enfríe.



Para limpiar el interior del horno, limpie las paredes, parte inferior del horno y puerta de vidrio con un trapo húmedo y jabonoso. Repita con un trapo húmedo y limpio.



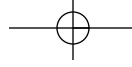
Para manchas persistentes, use un estropajo de plástico.



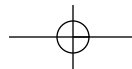
Limpie la parte exterior del horno con un trapo húmedo. No use limpiadores abrasivos o estropajos de metal.

## Resolviendo Problemas

PROBLEMA	PROBABLE CAUSA
El horno no calienta.	<ul style="list-style-type: none"><li>• Revise para asegurarse que la toma eléctrica esté funcionando y el horno esté conectado. Gire el Selector de Temperatura a 350°F (180°C), gire el Selector de Función a <b>BAKE</b> (cocinar), luego gire el Función Toastar/Programador de Tiempo y OFF (apagado) a <b>STAY ON</b> (dejar encendido).</li></ul>
Se forma humedad en el interior de la puerta del horno cuando tuesta.	<ul style="list-style-type: none"><li>• Esto es normal cuando cuando se tuesta en un horno tostador. La humedad se escapa más lentamente en un horno tostador que de un tostador. La cantidad de humedad variará entre el pan fresco, bagels y repostería congelada.</li></ul>
Sale un olor o humo del horno.	<ul style="list-style-type: none"><li>• El humo y olor es normal durante el primer uso de la mayoría de los aparatos con calor. Esto no estará presente después del periodo inicial de calentamiento.</li></ul>
El horno no tuesta.	<ul style="list-style-type: none"><li>• Revise para asegurarse que la toma esté funcionando y el horno esté conectado. Gire el Selector de Temperatura para <b>BROIL/TOAST</b> (asar/tostar), gire el Selector de Función a <b>TOAST</b> (tostar), gire el Función Toastar/Programador de Tiempo y OFF (apagado) más de 10 luego de vuelta a color de tostado deseado.</li></ul>
Algunos alimentos se queman y algunas no se cocinan.	<ul style="list-style-type: none"><li>• Ajuste la posición de la rejilla del horno para centrar el alimento en el horno.</li><li>• Ajuste la temperatura del horno o tiempo de cocción para mejores resultados con sus recetas.</li></ul>



# *Notas*

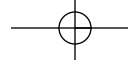


# Hamilton Beach®

Grupo HB PS, S.A. de C.V.  
 Monte Elbruz No. 124 Int. 601  
 Col. Palmitas Polanco  
 México, D.F. C.P. 11560  
 01-800-71-16-100

## PÓLIZA DE GARANTÍA

PRODUCTO:	MARCA:	MODELO:
<p>Grupo HB PS, S.A. de C.V. cuenta con una Red de Centros de Servicio Autorizada, por favor consulte en la lista anexa el nombre y dirección de los establecimientos en la República Mexicana en donde usted podrá hacer efectiva la garantía, obtener partes, componentes, consumibles y accesorios; así como también obtener servicio para productos fuera de garantía. Para mayor información llame sin costo: <b>Centro de Atención al consumidor: 01 800 71 16 100</b></p>		
<p>Grupo HB PS, S.A. de C.V. le otorga a partir de la fecha de compra:  <b>GARANTÍA DE 1 AÑO.</b></p>		
<b>COBERTURA</b>		
<ul style="list-style-type: none"> <li>• Esta garantía ampara, todas las piezas y componentes del producto que resulten con defecto de fabricación incluyendo la mano de obra.</li> <li>• Grupo HB PS, S.A. de C.V. se obliga a reemplazar, reparar o reponer, cualquier pieza o componente defectuoso; proporcionar la mano de obra necesaria para su diagnóstico y reparación, todo lo anterior sin costo adicional para el consumidor.</li> <li>• Esta garantía incluye los gastos de transportación del producto que deriven de su cumplimiento dentro de su red de servicio.</li> </ul>		
<b>LIMITACIONES</b>		
<ul style="list-style-type: none"> <li>• Esta garantía no ampara el reemplazo de piezas deterioradas por uso o por desgaste normal, como son: cuchillas, vasos, vasos, filtros, etc.</li> <li>• Grupo HB PS, S.A. de C.V. no se hace responsable por los accidentes producidos a consecuencia de una instalación eléctrica defectuosa, ausencia de toma de tierra, clavija de enchufe en mal estado, etc.</li> </ul>		
<b>EXCEPCIONES</b>		
<p>Esta garantía no será efectiva en los siguientes casos:</p> <ol style="list-style-type: none"> <li>a) Cuando el producto se hubiese utilizado en condiciones distintas a las normales. (Uso industrial, semi-industrial o comercial.)</li> <li>b) Cuando el producto no hubiese sido operado de acuerdo con el instructivo de uso.</li> <li>c) Cuando el producto hubiese sido alterado o reparado por personas no autorizadas por Grupo HB PS, S.A. de C.V. el fabricante nacional, importador o comercializador responsable respectivo.</li> <li>d) Esta garantía pierde su validez si el producto es utilizado en un medio diferente a una vivienda unifamiliar o se somete a cualquier voltaje o forma de onda diferente a la especificada en la etiqueta de clasificación (ej., 120V ~ 60 Hz).</li> </ol> <p>El consumidor puede solicitar que se haga efectiva la garantía ante la propia casa comercial donde adquirió su producto, siempre y cuando Grupo HB PS, S.A. de C.V. no cuente con talleres de servicio.</p>		



**PROCEDIMIENTO PARA HACER EFECTIVA LA GARANTÍA**

- Para hacer efectiva la garantía no deben exigirse mayores requisitos que la presentación del producto y la póliza correspondiente, debidamente sellada por el establecimiento que lo vendió.
- Para hacer efectiva la garantía, lleve su aparato al Centro de Servicio Autorizado más cercano a su domicilio (consulte la lista anexa).
- Si no existe Centro de Servicio Autorizado en su localidad llame a nuestro Centro de Atención al Consumidor para recibir instrucciones de como hacer efectiva su garantía.
- El tiempo de reparación, en ningún caso será mayor de 30 días naturales contados a partir de la fecha de recepción del producto en nuestros Centros de Servicio Autorizados.
- En caso de que el producto haya sido reparado o sometido a mantenimiento y el mismo presente deficiencias imputables al autor de la reparación o del mantenimiento dentro de los treinta días naturales posteriores a la entrega del producto al consumidor, éste tendrá derecho a que sea reparado o mantenido de nuevo sin costo alguno. Si el plazo de la garantía es superior a los treinta días naturales, se estará a dicho plazo.
- El tiempo que duren las reparaciones efectuadas al amparo de la garantía no es computable dentro del plazo de la misma. Cuando el bien haya sido reparado se iniciará la garantía respecto de las piezas repuestas y continuará con relación al resto. En el caso de reposición del bien deberá renovarse el plazo de la garantía.

DÍA__ MES__ AÑO__	Si desea hacer comentarios o sugerencias con respecto a nuestro servicio o tiene alguna queja derivada de la atención recibida en alguno de nuestros Centros de Servicio Autorizados, por favor dirigirse a: <b>GERENCIA INTERNACIONAL DE SERVICIO</b> 01 800 71 16 100 Email: <a href="mailto:mexico.service@hamiltonbeach.com.mx">mexico.service@hamiltonbeach.com.mx</a>
-------------------	--

**RED DE CENTROS DE SERVICIO AUTORIZADA GRUPO HB PS, S.A. DE C.V.**

**Distrito Federal**

**ELECTRODOMÉSTICOS**  
 Av. Plutarco Elías Cailles No. 1499  
 Zacahuitzco MEXICO 09490 D.F.  
 Tel: 01 55 5235 2323 • Fax: 01 55 5243 1397

**CASA GARCIA**  
 Av. Patriotismo No. 875-B  
 Mixcoac MEXICO 03910 D.F.  
 Tel: 01 55 5563 8723 • Fax: 01 55 5615 1856

**Nuevo Leon**

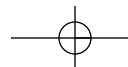
**FERNANDO SEPULVEDA REFACCIONES**  
 Ruperto Martínez No. 238 Ote.  
 Centro MONTERREY, 64000 N.L.  
 Tel: 01 81 8343 6700 • Fax: 01 81 8344 0486

**Jalisco**

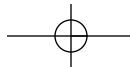
**SERVICIOS DE MANTENIMIENTO CASTILLO**  
 Garibaldi No. 1450  
 Ladrón de Guevara  
 GUADALAJARA 44660 Jal.  
 Tel: 01 33 3825 3480 • Fax: 01 33 3826 1914

**Chihuahua**

**DISTRIBUIDORA TURMIX**  
 Av. Paseo Triunfo de la Rep. No. 5289 Local 2 A.  
 Int. Hipermart  
 Alamos de San Lorenzo  
 CD. JUAREZ 32340 Chih.  
 Tel: 01 656 617 8030 • Fax: 01 656 617 8030







**Modelos:**  
**31330, 31331, 31332, 31333**

**Tipo:**  
**O55**

**Características Eléctricas:**  
**120V~ 60Hz 1400W**

**Los modelos incluidos en el instructivo de Uso y Cuidado pueden ir seguidos o no por un sufijo correspondiente a una o varias letras del alfabeto y sus combinaciones, separadas o no por un espacio, coma, diagonal, o guión. Como ejemplos los sufijos pueden ser: "Y" y/o "MX" y/o "MXY" y/o "Z".**

