

READ BEFORE USE
LIRE AVANT UTILISATION
LEA ANTES DE USAR

Visit www.hamiltonbeach.com for our complete line of products and Use and Care Guides – as well as delicious recipes, tips, and to register your product online!

Rendez-vous sur www.hamiltonbeach.ca pour notre liste complète de produits et de nos manuels utilisateur – ainsi que nos délicieuses recettes, nos conseils et pour enregistrer votre produit en ligne !

¡Visite www.hamiltonbeach.com.mx para obtener nuestra línea completa de productos y las Guías de Uso y Cuidado, además de deliciosas recetas, consejos y para registrar su producto en línea!

Questions?

Please call us – our friendly associates are ready to help.
USA: 1.800.851.8900

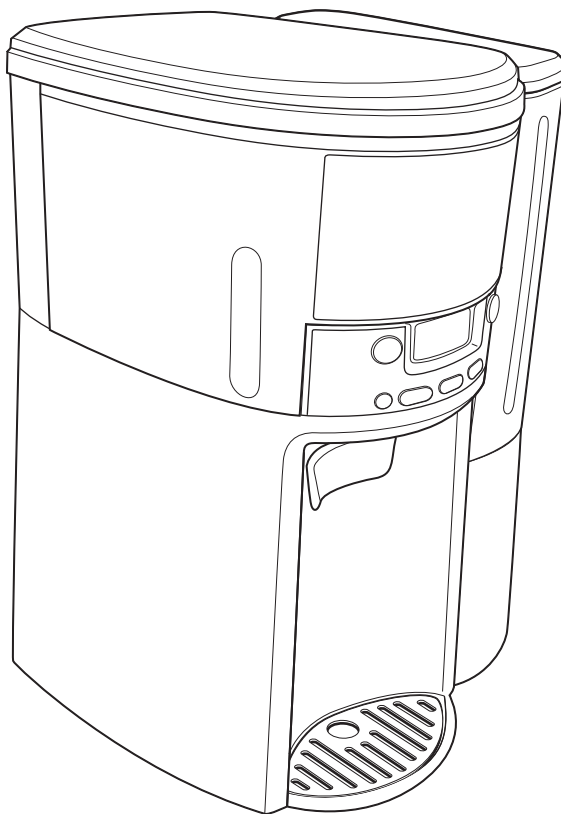
Questions ?

N'hésitez pas à nous appeler – nos associés s'empresseront de vous aider.
CAN : 1.800.267.2826

¿Preguntas?

Por favor llámenos – nuestros amables representantes están listos para ayudar.
MEX: 01 800 71 16 100

Le invitamos a leer cuidadosamente este instructivo antes de usar su aparato.



**Hamilton
Beach®**

BrewStation®

English	2
Français	13
Español	25

IMPORTANT SAFEGUARDS

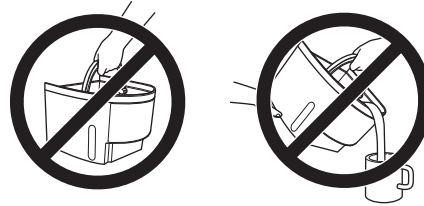
When using electrical appliances, basic safety precautions should always be followed to reduce the risk of fire, electric shock, and/or injury to persons, including the following:

1. Read all instructions.
2. Do not touch hot surfaces. Use handles or knobs. Care must be taken, as burns can occur from touching hot parts or from spilled, hot liquid.
3. To protect against electric shock, do not place cord, plug, or BrewStation® in water or other liquid.
4. Close supervision is necessary when any appliance is used by or near children.
5. Unplug from outlet when either the BrewStation® or clock is not in use and before cleaning. Allow to cool before putting on or taking off parts and before cleaning the appliance.
6. Scalding may occur if the lid is lifted during the brewing cycle. Do not open lid until coffeemaker has cooled completely.
7. BrewStation® must be operated on a flat surface away from the edge of counter to prevent accidental tipping.
8. Do not operate any appliance with a damaged cord or plug, or after the appliance malfunctions or is dropped or damaged in any manner. Call our toll-free customer service number for information on examination, repair, or adjustment.
9. The use of accessory attachments not recommended by the appliance manufacturer may cause injuries.
10. Do not use outdoors.
11. Do not let cord hang over edge of table or counter or touch hot surfaces, including stove.
12. The coffee tank is designed for use with this BrewStation®. It must never be used on a range top or in a microwave oven.
13. Do not place BrewStation® on or near a hot gas or electric burner or in a heated oven.
14. To disconnect BrewStation®, turn controls to OFF and then remove plug from wall outlet.
15. **WARNING!** To reduce the risk of fire or electric shock, do not remove the bottom cover. No user-serviceable parts are inside. Repair should be done by authorized service personnel only.
16. Do not use appliance for other than intended use.

SAVE THESE INSTRUCTIONS!

IMPORTANT

Never use coffee tank to pour hot coffee or carry hot coffee.
Handle coffee tank when it holds only cold water or iced coffee.



Additional Information

- If overflow occurs: Let unit, coffee, and grounds cool completely before attempting any cleanup.
- Use only brand-name, high-quality filters.
- Use only 1 tablespoon of ground coffee for each cup of water. When making iced coffee, use 2 tablespoons of ground coffee for each cup of water.
- Use coffeemaker cleaner to prevent hard water deposits that affect coffeemaker performance. Clean monthly.
- Do not clean coffee tank in dishwasher.
- Read instructions before using.

Other Consumer Safety Information

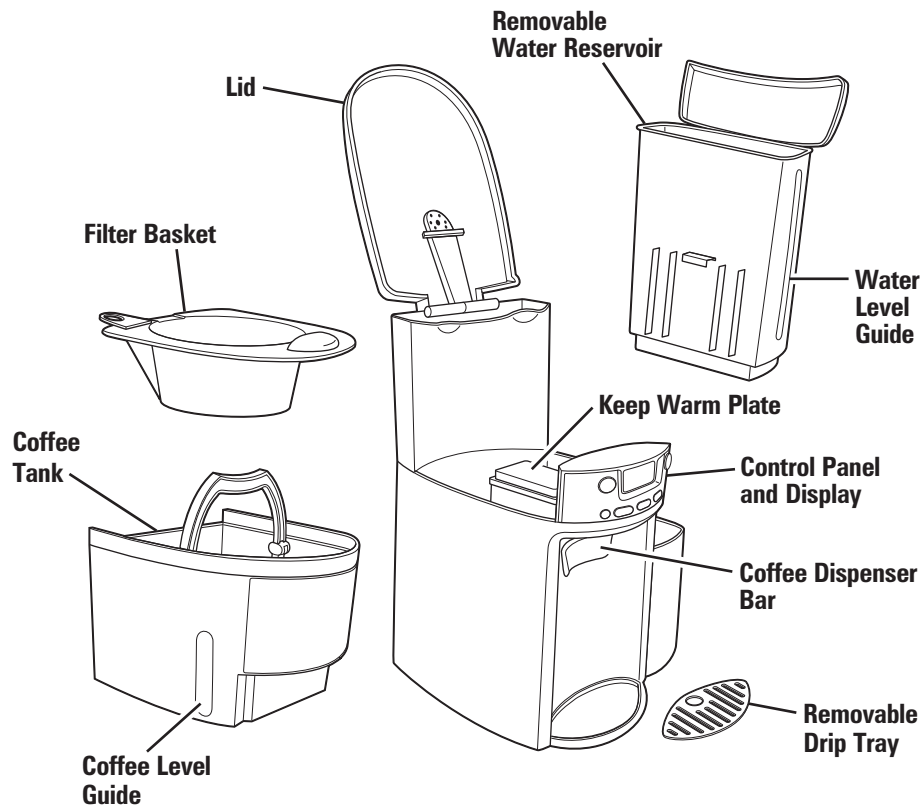
This appliance is intended for household use only.

WARNING! Shock Hazard: This appliance has a polarized plug (one wide blade) that reduces the risk of electric shock. The plug fits only one way into a polarized outlet. Do not defeat the safety purpose of the plug by modifying the plug in any way or by using an adapter. If the plug does not fit fully into the outlet, reverse the plug. If it still does not fit, have an electrician replace the outlet.

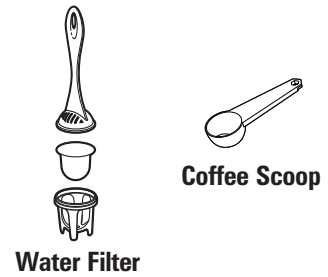
The length of the cord used on this appliance was selected to reduce the hazards of becoming tangled in or tripping over a longer cord. If a longer cord is necessary, an approved extension cord may be used. The electrical rating of the extension cord must be equal to or greater than the rating of the appliance. Care must be taken to arrange the extension cord so that it will not drape over the countertop or tabletop where it can be pulled on by children or accidentally tripped over.

To avoid an electrical circuit overload, do not use another high-wattage appliance on the same circuit with your BrewStation®.

Parts and Features



Optional Accessories



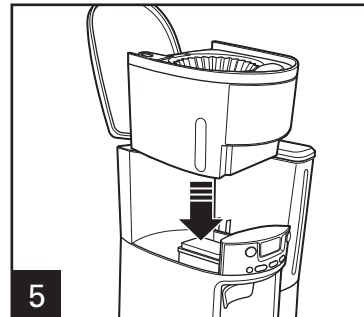
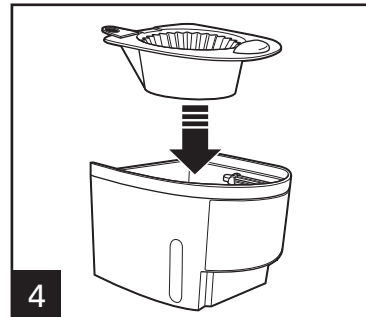
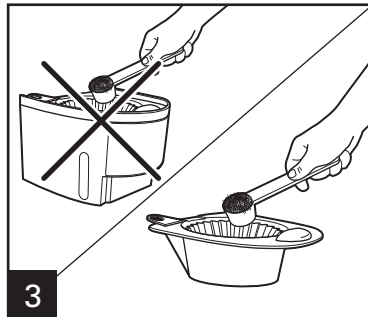
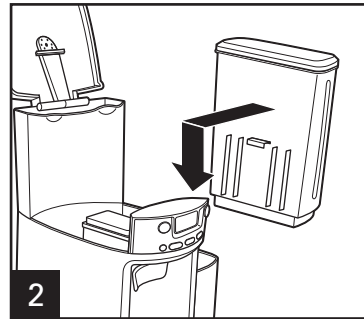
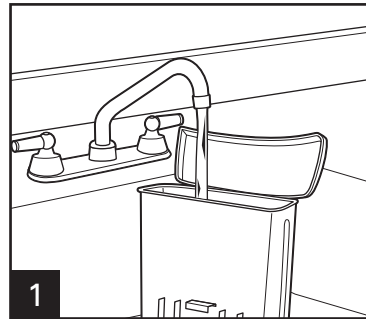
To Order Accessories:
1.800.851.8900 (U.S.)
1.800.267.2826 (Canada)
01.800.71.16.100 (Mexico)
or visit
hamiltonbeach.com
hamiltonbeach.ca

How To Make Coffee

**Coffee scoop is optional feature on select models.*

BEFORE FIRST USE: Wash coffee tank, filter basket, and drip tray in hot, soapy water. NEVER put the coffee tank in dishwasher.

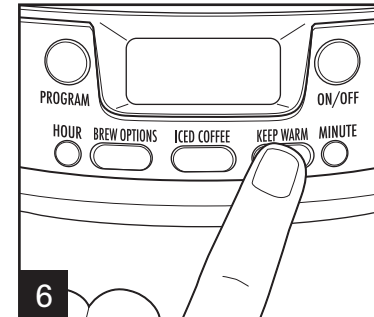
BrewStation® can be programmed to automatically shut off in 0, 1, 2, 3, or 4 hours as desired. Default is 2 hours for automatic shutoff.



Recommended Coffee Per Cup:
1 scoop* or 1 level tablespoon per cup

For Iced Coffee:
2 scoops or 2 level tablespoons per cup

Maximum Amount of Coffee for BrewStation®:
12 tablespoons



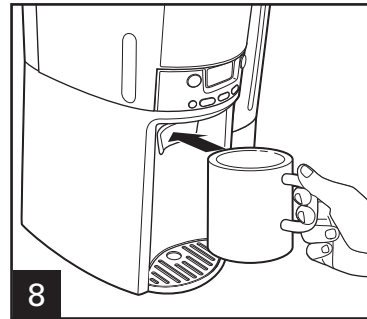
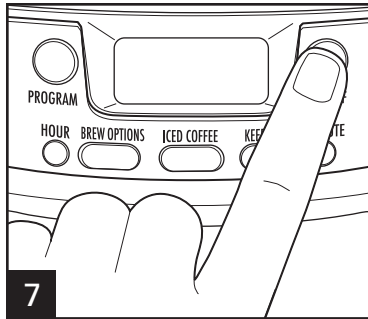
Place paper filter in brew basket; add coffee. Avoid getting coffee grounds in any other areas of the BrewStation®.

Set **KEEP WARM** hours to 0, 1, 2, 3, or 4.

⚠ WARNING Burn Hazard.

- Never use coffee tank to pour or carry hot coffee.
- Handle coffee tank only when filling with ice for iced coffee and to clean tank after BrewStation® has been shut off and the coffee is cool.
- If BrewStation® overflows, unplug unit. Allow unit, coffee, and grounds to cool before cleaning unit, coffee, or grounds.

How To Make Coffee (cont.)



Brew Options

REGULAR

Press Brew Options button, no display

BOLD

Enhanced full/strong-flavored coffee: Press **BREW OPTIONS** button until **BOLD** is displayed

1-4 CUPS

When brewing 1–4 cups of coffee: Press **BREW OPTIONS** button until **1–4 CUPS** is displayed

NOTE: **BOLD** mode will require additional time to complete a brewing cycle. It is recommended to select a Brew Option before pressing the **ON** button. However, the setting can be changed during the brewing cycle. If a Brew Option is not selected, the coffeemaker will automatically brew on the regular/default setting.

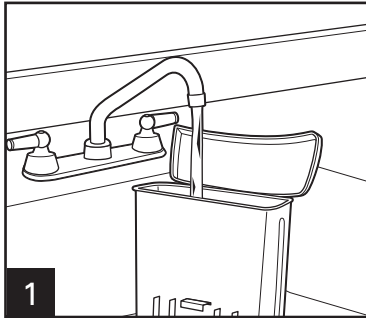
TO REHEAT COFFEE: Press and hold **ON/OFF** button for 3 seconds. This will reset the timer and keep coffee warm for selected number of hours (0, 1, 2, 3, or 4).

To Make Iced Coffee

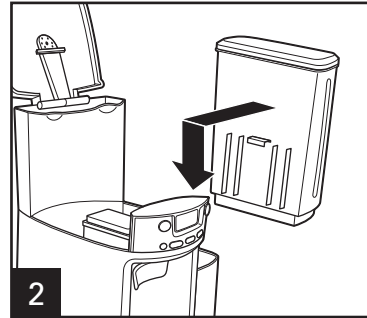
**Coffee scoop is optional feature on select models.*

⚠ **WARNING** Burn Hazard.

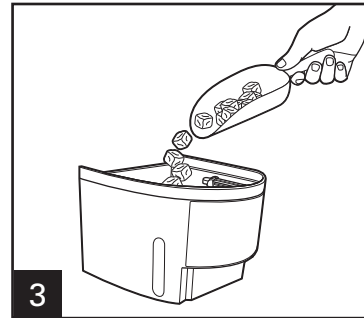
If BrewStation® overflows, unplug unit. Allow unit, coffee, and grounds to cool before cleaning unit, coffee, or grounds.



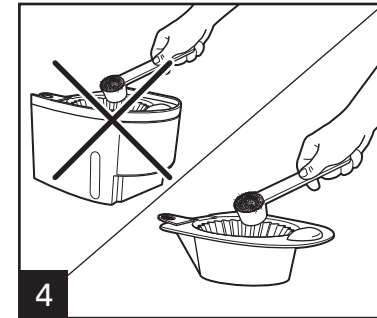
1 Fill removable water reservoir with water. Do not fill beyond the 6-cup line when making iced coffee.



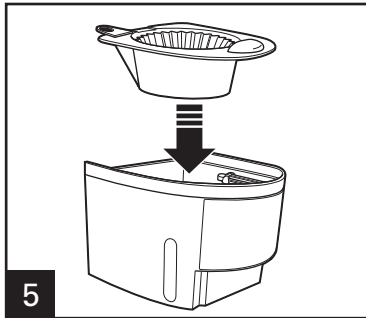
2 Remove coffee scoop from coffee tank.



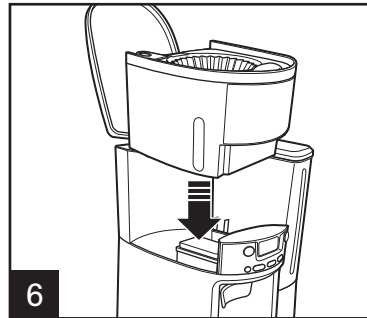
3 Fill coffee tank with ice to the **10 CUP** marking line.



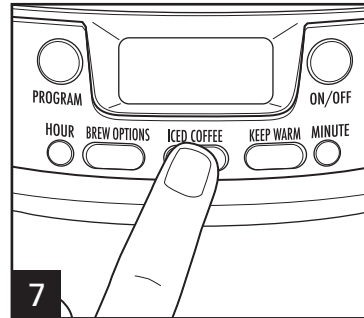
4 Place paper filter in brew basket. Brew double-strength coffee for iced coffee. Add 2 scoops* or 2 level tablespoons of ground coffee per cup (up to 12 scoops).



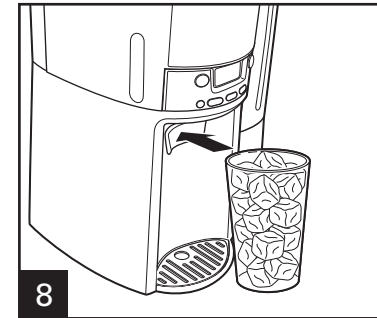
5 Make sure filter basket does not touch ice. If basket touches ice, tank is too full. Reduce ice to 10-cup marking line.



6 Close coffee tank lid.

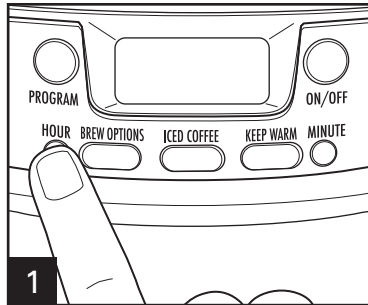


7 Select **ICED COFFEE**. Press **ON**. Keep Warm setting defaults to 0.

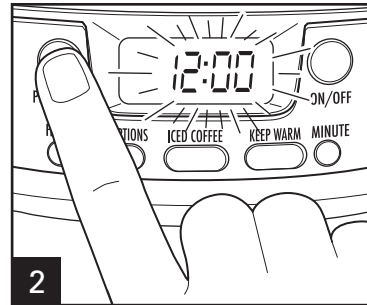


8 Dispense coffee into a glass filled with ice.

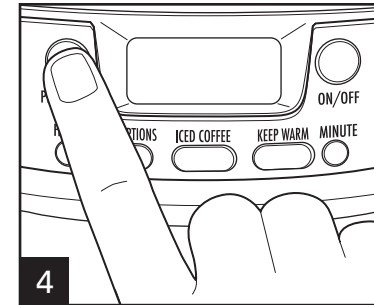
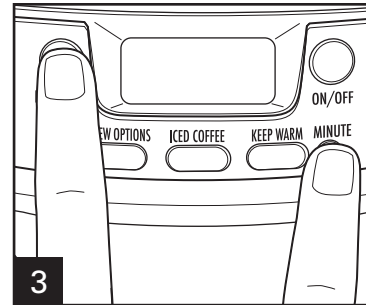
Programming



1 To set clock: Press **HOUR** and then **MINUTE**. **NOTE:** Clock time must be set for programming function to work.



2 To program auto brew: Press and hold **PROGRAM** until clock flashes. Continue holding **PROGRAM**; then press **HOUR** and **MINUTE** until the desired brewing start time is reached. "START TIME" will display after time is selected. Select **BREW OPTIONS** and **KEEP WARM** settings, if desired.



4 Press and release **PROGRAM** to activate automatic brewing. A green light will signal that the unit is in program mode. "START TIME" will disappear in the display after **PROGRAM** button is pressed.

Iced Coffee Recipe

Mocha Cinnamon Iced Coffee

12 tablespoons ground coffee	1 cup chocolate syrup
1/2 teaspoon ground cinnamon	8 cups ice cubes
1 1/2 cups half-and-half	

1. Fill water reservoir with water to the 6-cup line. Fill coffee tank with ice cubes to the 10-cup marking line. Place over water reservoir.
2. Place filter basket over coffee tank. Add coffee filter, coffee, and cinnamon to basket. Brew coffee.
3. For one serving, dispense 8 ounces of brewed coffee into a 12-ounce thermal cup or glass. Add 3 tablespoons half-and-half, 2 tablespoons chocolate syrup, and 1 cup ice. Stir and enjoy. **Servings: 8 (12-ounce)**

General Cleaning Instructions

⚠ WARNING

Shock Hazard. Do not immerse cord, plug, or coffeemaker in any liquid.

INSIDE OF COFFEEMAKER:

Follow steps 1–5 in “Cleaning With Vinegar.”

WATER FILTER:

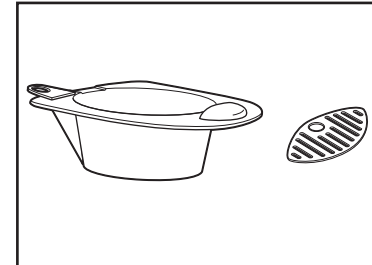
Remove the water filter from the water reservoir and wash by hand with warm, soapy water.

COFFEE TANK FILTER SCREEN:

The coffee tank filter screen cannot be removed. To clean, run water through the top and bottom of the tank. Check for leaks.

OUTSIDE OF COFFEEMAKER:

Wipe outside with a soft cloth and warm, soapy water. Do not use abrasive cleaners, since they will scratch the finish of the product.



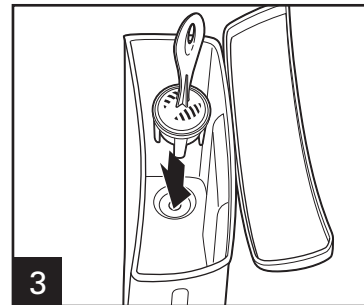
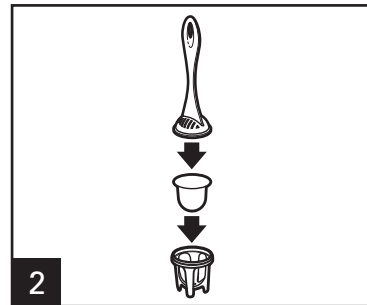
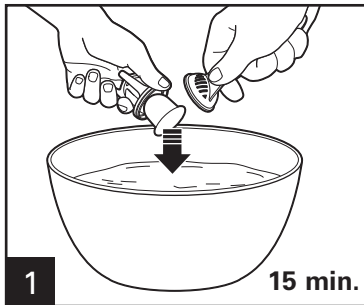
DISHWASHER-SAFE

DO NOT use the “SANI” setting when washing in the dishwasher. “SANI” cycle temperatures could damage your product.

Water Filter (optional accessory)

For better tasting coffee, use a water filter.

Filter replacement is recommended every 60 cycles.



Water Filter (Optional Accessory)

If using a water filter, it should be replaced every 60 cycles for best tasting coffee.

To Order a Water Filter Call:

1.800.851.8900 (U.S.)

1.800.267.2826 (Canada)

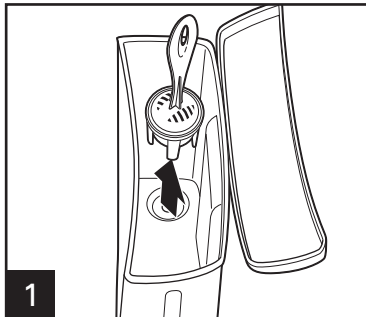
01.800.71.16.100 (Mexico)

or visit hamiltonbeach.com

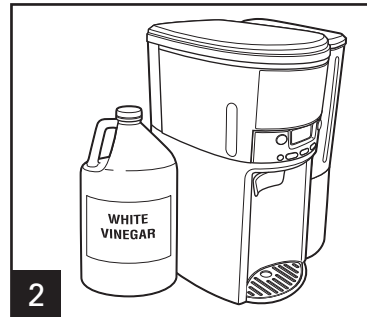
hamiltonbeach.ca

Cleaning with Vinegar

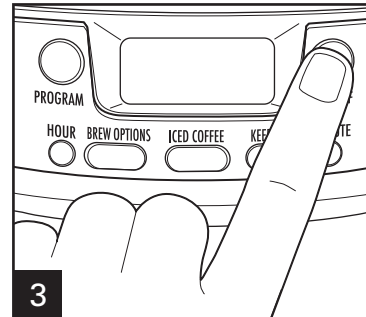
Clean BrewStation® at least once a month (once a week for areas with hard water).



1 Remove optional water filter.

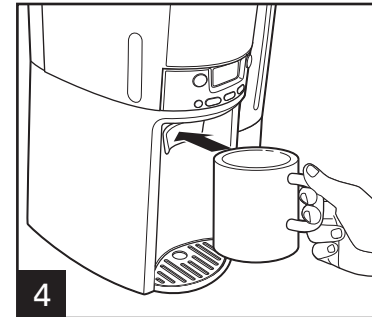


2 Pour 1 pint (2 cups/500 ml) vinegar into water reservoir.

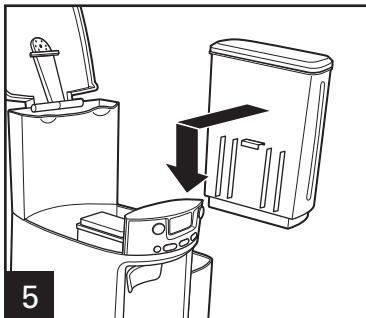


3 Press **ON**. Turn **OFF** after 20 seconds and wait 30 minutes. Press **ON**. Turn **OFF** when finished. When cool, dispense several cups before emptying and rinsing reservoir. **NOTE:** Coffeemaker will remind you it is time for cleaning in two ways:

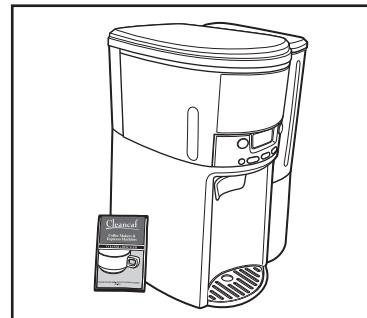
- Built-in cycle timer—Every 30 cycles, CLEAN will flash in display and stay illuminated for 2 cycles.
- Built-in residue sensor—CLEAN will appear in display when unit senses residue buildup and remain illuminated until the unit has been cleaned.



4



5 Run 2–3 more brew cycles with **CLEAN WATER** only. Allow to cool between cycles.



Coffeemaker cleaner is the recommended method for cleaning and is preferred over vinegar since it is more effective and leaves no odor. Follow package directions on coffeemaker cleaner. Dispense several cups before discarding solution.

To Order Cleaner/Descaler Call:
1.800.851.8900 (U.S.)
1.800.267.2826 (Canada)
01.800.71.16.100 (Mexico)
or visit hamiltonbeach.com
hamiltonbeach.ca

Troubleshooting

PROBLEM	PROBABLE CAUSE
Coffee leaks from dispenser.	<ul style="list-style-type: none"> Coffee grounds trapped in coffee tank dispensing mechanism under seal in coffee tank. See "Cleaning with Vinegar."
"CLEAN" appears in display.	<ul style="list-style-type: none"> This is a reminder to clean coffeemaker. See "Cleaning with Vinegar."
Coffee tastes bad.	<ul style="list-style-type: none"> Coffeemaker needs cleaning. Coffee ground too coarsely or too finely. Set coffee grinder to automatic drip grind. Coffee-to-water ratio unbalanced. Adjust for personal preference. Poor water quality. Use water filter or bottled water to make coffee. For iced coffee, too much ice in tank causing too long extraction time for grounds. Make sure ice is not above the 10-cup marking line.
Coffee not brewing or stops brewing/unit will not turn on.	<ul style="list-style-type: none"> Mineral deposits have built up. Clean the coffeemaker following "Cleaning with Vinegar." Water reservoir is empty. Unit is unplugged. Power outage or power surge. If surge, unplug; then plug back in.
Coffee brews slowly.	<ul style="list-style-type: none"> Coffeemaker needs cleaning. Clean at least every 30 days to maintain proper performance. Coffeemaker is in the 1-4 CUPS or BOLD modes. Press BREW OPTIONS button until no lights appear.
Coffee overflows basket.	<ul style="list-style-type: none"> Excessive amounts of coffee grounds. See Table on page 5. Coffee ground too finely. Set coffee grinder to automatic drip grind. More than one paper filter in filter basket. Poor quality paper filter or wrong size paper filter.
Coffee is cold when dispensed (when not using ICED COFFEE setting).	<ul style="list-style-type: none"> Selected Keep Warm hours have elapsed and coffeemaker has automatically shut off. See "To Reheat Coffee" instructions on page 6, or brew new cycle.

Limited Warranty

This warranty applies to products purchased and used in the U.S. and Canada. This is the only express warranty for this product and is in lieu of any other warranty or condition.

This product is warranted to be free from defects in material and workmanship for a period of one (1) year from the date of original purchase. During this period, your exclusive remedy is repair or replacement of this product or any component found to be defective, at our option; however, you are responsible for all costs associated with returning the product to us and our returning a product or component under this warranty to you. If the product or component is no longer available, we will replace with a similar one of equal or greater value.

This warranty does not cover glass, filters, wear from normal use, use not in conformity with the printed directions, or damage to the product resulting from accident, alteration, abuse, or misuse. This warranty extends only to the original consumer purchaser or gift recipient. Keep the original sales receipt, as proof of purchase is required to make a warranty claim. This warranty is void if the product is used for other than single-family household use or subjected to any voltage and waveform other than as specified on the rating label (e.g., 120V ~ 60 Hz).

We exclude all claims for special, incidental, and consequential damages caused by breach of express or implied warranty. All liability is limited to the amount of the purchase price. **Every implied warranty, including any statutory warranty or condition of merchantability or fitness for a particular purpose, is disclaimed except to the extent prohibited by law, in which case such warranty or condition is limited to the duration of this written warranty.** This warranty gives you specific legal rights. You may have other legal rights that vary depending on where you live. Some states or provinces do not allow limitations on implied warranties or special, incidental, or consequential damages, so the foregoing limitations may not apply to you.

To make a warranty claim, do not return this appliance to the store. Please call 1.800.851.8900 in the U.S. or 1.800.267.2826 in Canada or visit hamiltonbeach.com in the U.S. or hamiltonbeach.ca in Canada. For faster service, locate the model, type, and series numbers on your appliance.

PRÉCAUTIONS IMPORTANTES

Au moment d'utiliser des appareils électriques, on doit toujours respecter les règles de sécurité élémentaires afin de minimiser les risques d'incendie, d'électrocution et des blessures, notamment celles qui suivent :

1. Lire toutes les instructions.
2. Ne pas toucher aux surfaces chaudes. Utiliser les poignées ou les boutons. Prendre toutes les précautions nécessaires pour éviter les brûlures causées par les surfaces chaudes, les déversements et le liquide chaud.
3. Pour éviter les risques d'électrocution, ne pas placer le cordon, la fiche ou la cafetière BrewStation® dans l'eau ou tout autre liquide.
4. L'utilisation de tout appareil par ou près des enfants exige une surveillance accrue.
5. Débrancher de la prise murale lorsque la cafetière BrewStation® ou l'horloge n'est pas utilisée et avant le nettoyage. Laisser refroidir la cafetière avant d'installer ou de retirer des pièces et avant de la nettoyer.
6. Des éclaboussures peuvent survenir si le couvercle est soulevé pendant le cycle d'infusion. Ne pas ouvrir le couvercle tant que la cafetière n'est pas complètement refroidie.
7. La cafetière BrewStation® doit fonctionner sur une surface plane, loin du rebord de comptoir pour éviter le basculement accidentel.
8. Ne pas utiliser aucun appareil dont le cordon ou la prise est endommagé, ou après toutes anomalies de fonctionnement de l'appareil, une chute ou tout autre dommage quel qu'il soit. Appeler notre numéro sans frais de service à la clientèle pour des renseignements concernant l'examen, la réparation ou l'ajustement.
9. L'utilisation de tout autre accessoire contre-indiqué par le fabricant de l'appareil peut causer des blessures.
10. Ne pas utiliser à l'extérieur.
11. Ne pas laisser pendre le cordon de la table ou du comptoir et éviter tout contact avec les surfaces chaudes incluant la cuisinière.
12. Le réservoir de café est conçu pour être utilisé avec cette cafetière BrewStation®. Elle ne doit jamais être utilisée sur une table de cuisson ou dans un four à micro-ondes.
13. Ne pas placer la cafetière BrewStation® sur ou près d'un brûleur à gaz ou électrique ou dans un four chaud.
14. Pour débrancher la cafetière BrewStation®, mettre la cafetière hors tension en tournant les commandes à ARRÊT puis débrancher la fiche de la prise murale.
15. **AVERTISSEMENT !** Pour éviter les risques d'incendie et d'électrocution, ne pas enlever le couvercle inférieur de la cafetière. Aucune pièce réparable à l'intérieur. Les réparations doivent être faites par un technicien agréé seulement.
16. N'utiliser cet appareil que pour les fonctions auxquelles il est destiné.

CONSERVER CES INSTRUCTIONS !

IMPORTANT

Ne jamais utiliser le réservoir de café pour verser ou transporter le café chaud.
Manipuler le réservoir de café quand il contient que de l'eau froide ou café glacé seulement.



Information additionnelle

- Si un débordement survient : Laisser refroidir complètement la cafetière, le café et la mouture avant d'effectuer tout nettoyage.
- Utiliser uniquement les filtres de grande qualité et de marque.
- Utiliser uniquement 1 cuillère à soupe de café moulu pour chaque tasse d'eau. Pour faire du café glacé, utilisez 2 cuillères à table de café moulu pour chaque tasse d'eau.
- Utiliser un nettoyeur pour cafetière pour prévenir les dépôts calcaires qui nuisent à la performance des cafetières. Nettoyer tous les mois.
- Le réservoir de café n'est pas conçu pour aller au lave-vaisselle.
- Lire les instructions avant l'utilisation.

Autre information de sécurité pour le consommateur

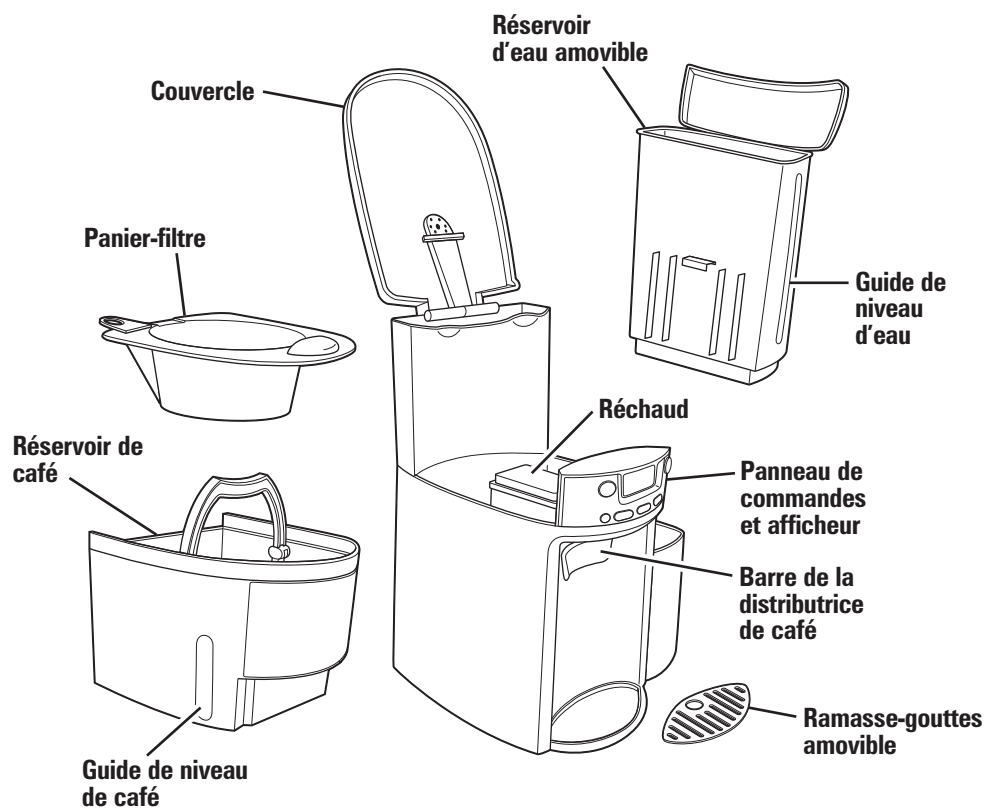
Cet appareil est conçu pour une utilisation domestique seulement.

AVERTISSEMENT ! Risque d'électrocution : Cet appareil électroménager possède une fiche polarisée (une broche large) qui réduit le risque d'électrocution. Cette fiche n'entre que dans un seul sens dans une prise polarisée. Ne contrecarrez pas l'objectif sécuritaire de cette fiche en la modifiant de quelque manière que ce soit ou en utilisant un adaptateur. Si vous ne pouvez pas insérer complètement la fiche dans la prise, inversez la fiche. Si elle refuse toujours de s'insérer, faire remplacer la prise par un électricien.

La longueur du cordon installé sur cet appareil a été sélectionnée afin de réduire les risques d'enchevêtrement ou de faux pas causés par un fil trop long. L'utilisation d'une rallonge approuvée est permise si le cordon est trop court. Les caractéristiques électriques de la rallonge doivent être équivalentes ou supérieures aux caractéristiques de l'appareil. Prendre toutes les précautions nécessaires pour installer la rallonge de manière à ne pas la faire courir sur le comptoir ou sur une table pour éviter qu'un enfant ne tire sur le cordon ou trébuche accidentellement.

Pour éviter une surcharge du circuit électrique, ne pas utiliser d'appareil à grande puissance sur le même circuit électrique que la cafetière BrewStation®.

Pièces et caractéristiques



Accessoires facultatifs



Pour passer une commande, appeler :

1.800.851.8900 (É.-U.)

1.800.267.2826 (Canada)

01.800.71.16.100 (Mexique)

ou visiter hamiltonbeach.com
hamiltonbeach.ca

Préparation du café

**La cuillère à café est offerte en option sur certains modèles.*

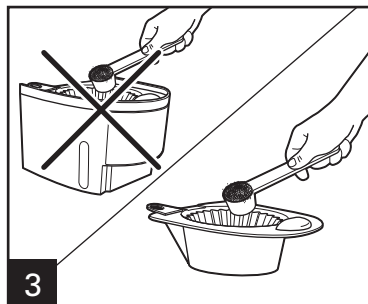
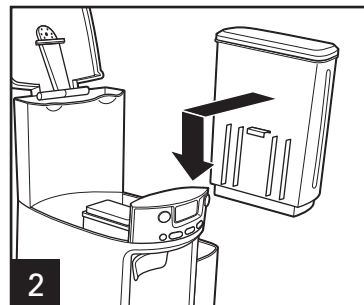
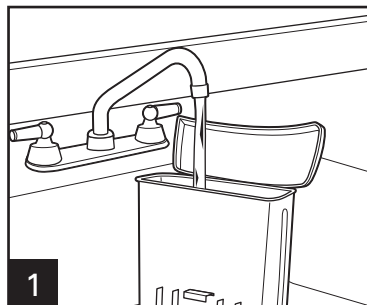
AVANT LA PREMIÈRE UTILISATION :

Laver le réservoir de café, le panier-filtre et le ramasse-gouttes avec de l'eau chaude savonneuse. **NE JAMAIS** mettre le réservoir de café au lave-vaisselle.

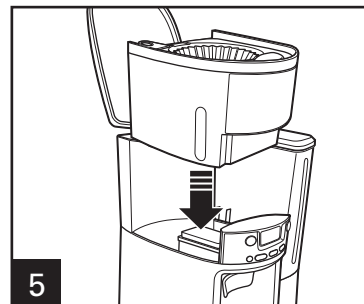
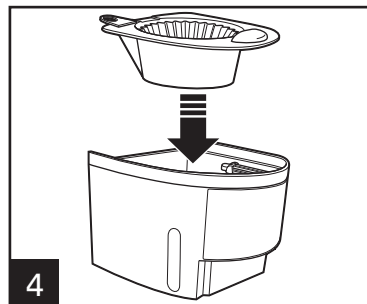
La cafetière BrewStation® est programmable pour se mettre hors tension automatiquement en 0, 1, 2, 3 ou 4 heures selon votre besoin. La mise hors tension automatique par défaut est réglée à 2 heures.

⚠ AVERTISSEMENT Risque de brûlure.

- Ne jamais utiliser le réservoir de café pour verser ou transporter le café chaud.
- Manipuler le réservoir de café uniquement pour le remplir de glace pour faire du café glacé et pour nettoyer le réservoir après la mise hors tension de la cafetière BrewStation® et lorsque le café est froid.
- Si la cafetière BrewStation® déborde, débrancher l'appareil. Laisser refroidir complètement l'appareil, le café et la mouture avant de nettoyer l'appareil, le café et la mouture.



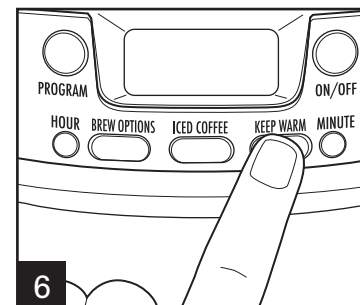
Placer le filtre papier dans le panier filtre ; ajoutez le café. Éviter la dispersion des grains de café vers les autres parties de la cafetière.



Café recommandé par tasse :
1 cuillère* ou 1 cuillère à soupe rase par tasse

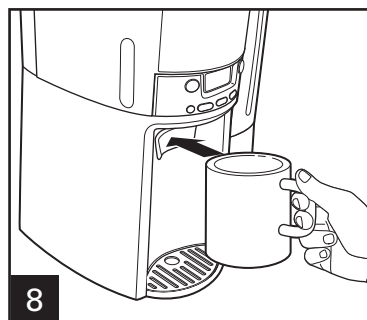
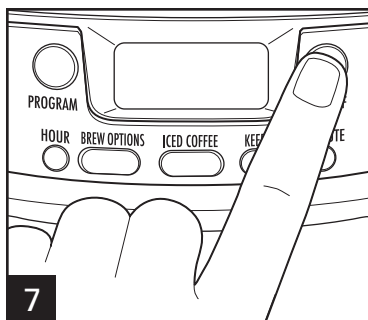
Pour du café glacé :
2 cuillère ou 2 cuillère à soupe rase par tasse

Quantité maximale de café pour la BrewStation® :
12 cuillère à soupe



Régler le temps de **KEEP WARM** (garde au chaud) à 0, 1, 2, 3 ou 4 heures.

Préparation du café (suite)



Options d'infusion

REGULAR (RÉGULIER)

Appuyer sur le bouton **BREW OPTIONS** (options d'infusion), aucun affichage

BOLD (CORSÉ)

Pour un café fort ou corsé : Appuyer sur le bouton **BREW OPTIONS** (options d'infusion) jusqu'à ce que l'indication « **BOLD** » s'affiche

1-4 CUPS (1 À 4 TASSES)

Pour l'infusion de 1 à 4 tasses de café : Appuyer sur le bouton **BREW OPTIONS** (options d'infusion) jusqu'à ce que « **1 à 4 CUPS** » s'affiche

NOTE : Les modes **CORSÉ (BOLD)** et **1 à 4 TASSES (1-4 CUPS)** nécessitent un cycle d'infusion plus long. Il est recommandé de sélectionner une option d'infusion avant d'appuyer sur le bouton **ON** (marche). Cependant, le réglage peut changer pendant le cycle d'infusion. Si une option d'infusion n'est pas sélectionnée, la cafetière infuse automatiquement au mode de réglage par défaut/normal.

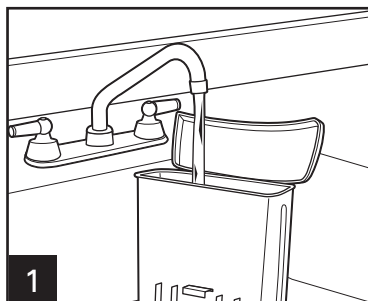
RÉCHAUFFAGE DU CAFÉ : Appuyer et maintenir enfoncé le bouton **ON/OFF** (marche/arrêt) pendant 3 secondes. Ceci réinitialisera la minuterie et gardera le café au chaud selon le nombre d'heures sélectionné (0, 1, 2, 3 ou 4).

Préparation du café glacé

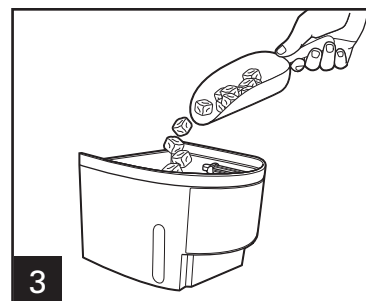
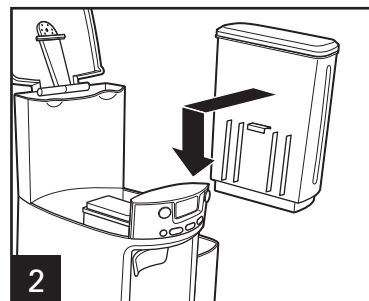
*La cuillère à café est offerte en option sur certains modèles.

⚠ AVERTISSEMENT Risque de brûlure.

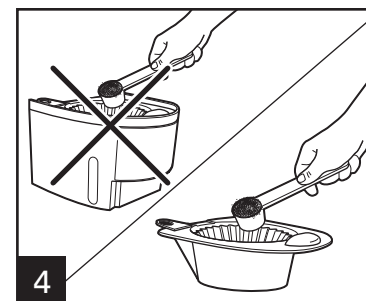
Si la cafetière BrewStation® déborde, débrancher l'appareil. Laisser refroidir complètement l'appareil, le café et la mouture avant de nettoyer l'appareil, le café et la mouture.



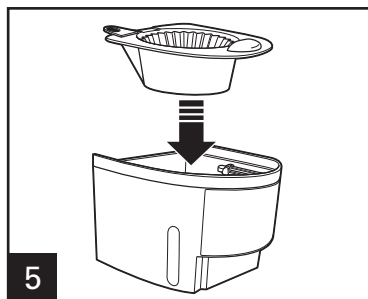
1 Remplir le réservoir d'eau amovible avec de l'eau. Ne pas dépasser la ligne des 6 tasses lorsque de la préparation de café glacé.



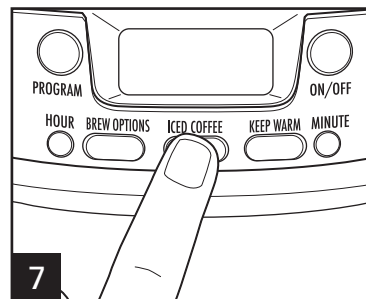
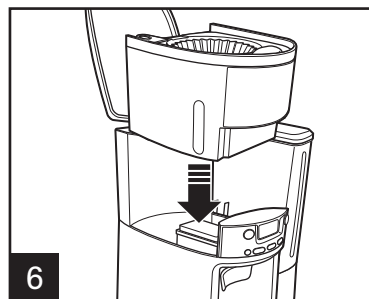
3 Remplir le réservoir de café avec de la glace jusqu'à la marque « 10 CUP » (10 tasses).



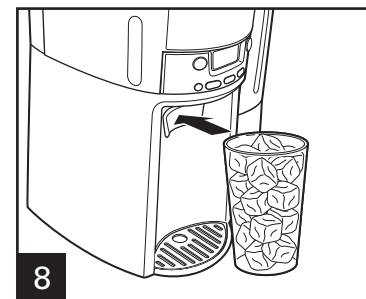
4 Placez le filtre papier dans le panier filtre. Infuser du café très fort pour café glacé. Ajouter deux cuillères* ou 2 cuillères à soupe rases de café moulu par tasse (jusqu'à 12 cuillères).



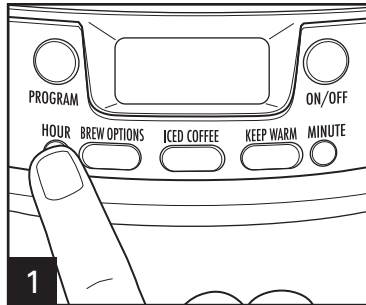
5 Assurez-vous que le panier filtre ne touche pas la glace. Si le panier touche la glace, alors le réservoir est trop plein. Abaissez le niveau de glace à la maraue « 10 CUP » (10 tasses).



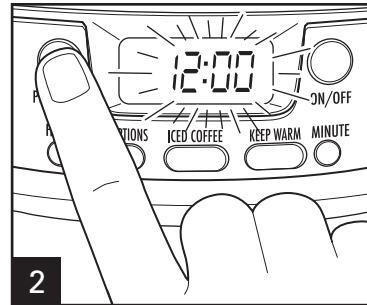
7 Sélectionner **ICED COFFEE** (café glacé). Appuyez sur **ON** (mise en marche). La valeur de l'option **KEEP WARM** (garder chaud) se règle par défaut à 0.



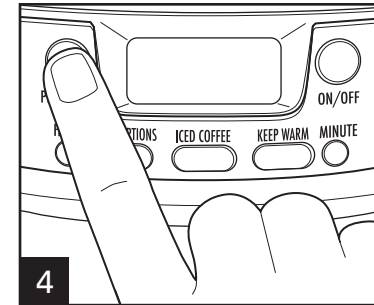
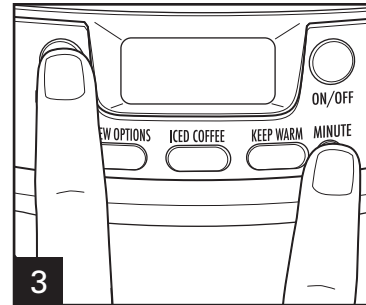
Programmation



Réglage de l'horloge : Appuyer sur **HOUR** (heure) puis sur **MINUTE**.
NOTE : L'horloge doit être réglée pour pouvoir utiliser la fonction de programmation.



Programmation de l'infusion automatique : Appuyer et maintenir enfoncé le bouton de **PROGRAM** (programme) jusqu'à ce que l'horloge clignote. Maintenir le bouton de **PROGRAM** enfoncé ; puis appuyer sur **HOUR** et **MINUTE** pour obtenir l'heure du début d'infusion désirée. Le message « **START TIME** » (début d'infusion) s'affichera une fois l'heure sélectionnée. Sélectionner **BREW OPTIONS** (option d'infusion) et **KEEP WARM** (garde au chaud), le cas échéant.



Appuyer et relâcher le bouton de **PROGRAM** pour activer l'infusion automatique. Un témoin vert lumineux signalera que l'appareil est activé au mode de programmation. Le message « **START TIME** » (début d'infusion) disparaîtra une fois le bouton **PROGRAM** pressé.

Recette de café glacé

Café moka glacé à la cannelle

12 cuillerées à table de café moulu
1/2 cuillerée à thé de cannelle moulue
1 1/2 tasse de crème fleurette

1 tasse de sirop de chocolat
8 tasses de glaçons

1. Remplir le réservoir d'eau jusqu'à la marque 6 tasses. Remplir le réservoir à café de glaçons jusqu'à la ligne 10 tasses puis le placer sur le réservoir d'eau.
2. Placer le panier filtre sur le réservoir à café. Ajouter le filtre, le café et la cannelle dans le panier. Faire infuser le café.
3. Pour une portion, verser 8 onces de café infusé dans une tasse ou un verre de 12 onces. Ajouter 3 cuillerées à table de crème simple, 2 cuillerées à table de sirop de chocolat et 1 tasse de glace. Brassier et déguster. **Portions : 8 (12 onces)**

Instructions générales de nettoyage

INTÉRIEUR DE LA CAFETIÈRE :

Suivre les étapes 1 à 5 du chapitre « Nettoyage avec du vinaigre ».

FILTRE À EAU :

Retirer le filtre à eau du réservoir d'eau et le laver à la main avec de l'eau savonneuse modérément chaude.

FILTRE GRILLAGÉ DU RÉSERVOIR DE CAFÉ :

Le filtre grillagé du réservoir de café ne s'enlève pas. Pour le nettoyer, faire couler de l'eau à travers le haut et le bas du réservoir. Vérifier l'absence de fuites.

EXTÉRIEUR DE LA CAFETIÈRE :

Essuyer l'extérieur avec un linge doux imbibé d'eau chaude savonneuse. Ne pas utiliser de nettoyeurs abrasifs pour éviter d'égratigner le fini du produit.

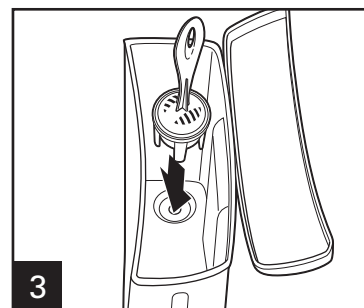
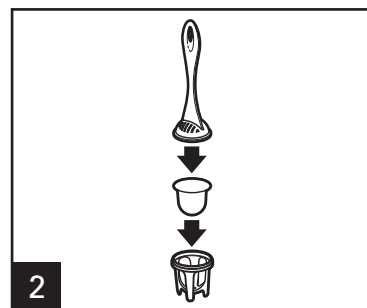
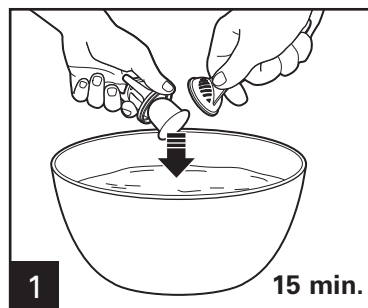
⚠ AVERTISSEMENT

Risque d'électrocution. Ne pas immerger le cordon, la fiche ou la cafetière dans aucun liquide.



NE PAS utiliser le réglage "SANI" du lave-vaisselle. Les températures du cycle "SANI" peuvent endommager le produit.

Filtre à eau (accessoire offert en option)



Pour obtenir une saveur maximale du café, utiliser un filtre à eau. Il est recommandé de remplacer le filtre tous les 60 cycles.

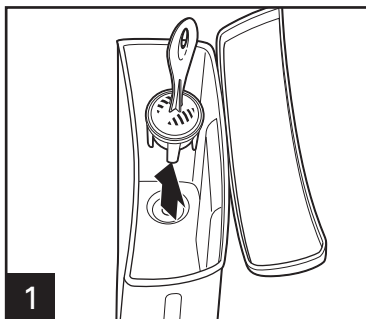
Filtre à eau (accessoire offert en option)

Lorsqu'un filtre à eau est utilisé, il devrait être remplacé tous les 60 cycles pour obtenir la saveur maximale du café.

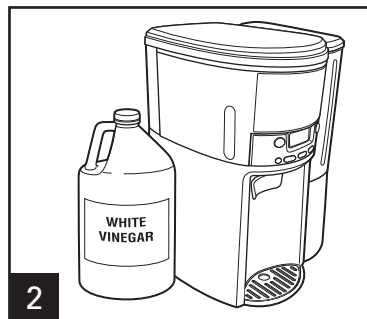
Pour passer une commande de filtre à eau, appeler :
1.800.851.8900 (É.-U.)
1.800.267.2826 (Canada)
01.800.71.16.100 (Mexique)
ou visiter le site
hamiltonbeach.ca

Nettoyage avec du vinaigre

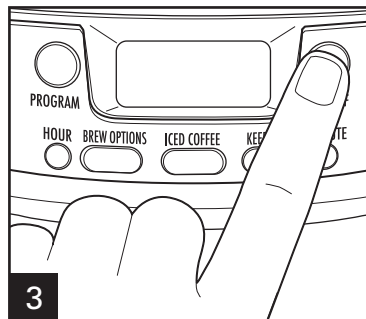
La cafetière BrewStation® doivent être nettoyée au moins une fois par mois (une fois par semaine pour les zones à eau calcaire).



1 Retirer le filtre à eau facultatif.

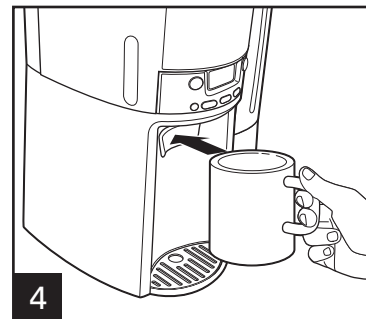


2 Verser 500 ml (2 tasses) de vinaigre dans le réservoir à eau.

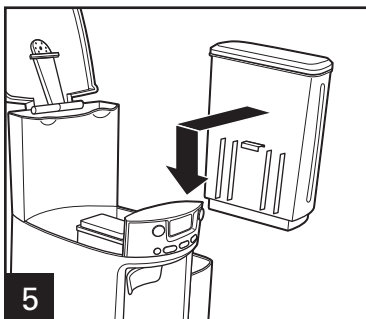


Appuyez sur **ON** (mise en marche). **Mettez hors tension (OFF) après 20 secondes et attendez 30 minutes.** Appuyez sur **ON** (mise en marche). Mettez hors tension (**OFF**) dès la fin de l'utilisation. Lorsque le vinaigre est refroidi, distribuez plusieurs tasses avant de vider et de rincer le réservoir. **NOTE** : La cafetière signale la période de nettoyage de deux manières :

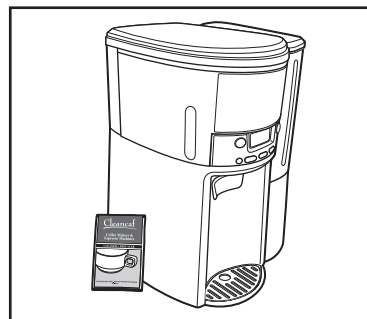
- Minuterie de cycle intégrée—Tous les 30 cycles, le témoin de nettoyage (CLEAN) clignotera à l'écran et restera illuminé pendant 2 cycles.
- Capteur de résidu intégré—Le témoin de nettoyage (CLEAN) s'affichera à l'écran lorsque l'appareil capte des accumulations de résidus et restera illuminé jusqu'au nettoyage de l'appareil.



4



5 Effectuer 2 ou 3 cycles d'infusion de plus avec de l'EAU PROPRE seulement. Permettre le refroidissement entre chaque cycle.



Nous recommandons d'utiliser un nettoyant de cafetière vendu dans le commerce pour nettoyer, plutôt que du vinaigre, car il protège mieux et ne laisse pas d'odeur. Suivre les instructions du paquet de nettoyant de cafetière commercial.

Pour commander un nettoyant/détartrant, appelez les numéros suivants :
1.800.851.8900 (U.S.)
1.800.267.2826 (Canada)
01.800.71.16.100 (Mexique)
ou visitez le site Web hamiltonbeach.ca

Dépannage

PROBLÈME	CAUSE POSSIBLE
Égouttement de café du distributeur.	<ul style="list-style-type: none">• Des grains de café sont emprisonnés dans le mécanisme de distribution du réservoir sous le joint d'étanchéité du réservoir de café. Voir le chapitre « Nettoyage avec du vinaigre ».
L'indicateur « CLEAN » (nettoyage) apparaît à l'écran.	<ul style="list-style-type: none">• Ceci est un rappel de nettoyage de la cafetière. Voir le chapitre « Nettoyage avec du vinaigre ».
Le café a mauvais goût.	<ul style="list-style-type: none">• La cafetière doit être nettoyée.• La mouture du café est trop grossière ou trop fine. Régler le moulin à café à café moulu pour cafetière automatique.• Portions de café et d'eau incorrecte. Ajuster les choix personnels.• Piètre qualité de l'eau. Utiliser un filtre à eau ou de l'eau embouteillée pour faire le café. Pour le café glacé, trop de glace dans le réservoir entraîne un délai d'extraction trop long pour la mouture. Assurez-vous que le niveau de glace n'excède pas la marque des 10 tasses.
Le café n'infuse pas/ l'infusion de café s'arrête/l'appareil refuse de démarrer.	<ul style="list-style-type: none">• Des dépôts minéraux se sont accumulés. Nettoyer la cafetière en suivant les instructions du chapitre « Nettoyage avec du vinaigre ».• Le réservoir d'eau est vide.• L'appareil n'est pas branché.• Coupure de courant ou surtension. Lors d'une surtension, débrancher puis rebrancher l'appareil.
L'infusion du café est lente.	<ul style="list-style-type: none">• La cafetière doit être nettoyée. Nettoyer au moins tous les 30 jours pour maintenir la performance adéquate.• La cafetière est réglée aux modes « 1-4 CUPS » ou « BOLD ». Appuyer sur le bouton BREW OPTIONS (options d'infusion) jusqu'à ce que les témoins s'éteignent.

Dépannage *(suite)*

PROBLÈME

Le café déborde du panier.

Le café distribué est froid (lorsque le réglage ICED COFFEE [café glacé] n'est pas utilisé).

CAUSE POSSIBLE

- Grande quantité de marc de café. Voir le tableau de la page 16.
- La mouture du café est trop fine. Régler le moulin à café à café moulu pour cafetière automatique.
- Il y a plus d'un filtre de papier dans le panier-filtre. Piètre qualité des filtres de papier ou format inadéquat.
- Les heures de garde au chaud sélectionnées sont périmées et la cafetière s'est mise hors tension automatiquement. Voir les instructions pour le « Réchauffage du café » à la page 17 ou effectuer un nouveau cycle d'infusion.

Garantie limitée

Cette garantie s'applique aux produits achetés et utilisés aux É.-U. et au Canada. C'est la seule garantie expresse pour ce produit et est en lieu et place de tout autre garantie ou condition.

Ce produit est garanti contre tout défaut de matériaux et de main-d'oeuvre pour une période de un (1) an à compter de la date d'achat d'origine. Au cours de cette période, votre seul recours est la réparation ou le remplacement de ce produit ou tout composant s'avérant défectueux, à notre gré, mais vous êtes responsable de tous les coûts liés à l'expédition du produit et le retour d'un produit ou d'un composant dans le cadre de cette garantie. Si le produit ou un composant n'est plus offert, nous le remplacerons par un produit similaire de valeur égale ou supérieure.

Cette garantie ne couvre pas le verre, les filtres, l'usure d'un usage normal, l'utilisation non conforme aux directives imprimées, ou des dommages au produit résultant d'un accident, modification, utilisation abusive ou incorrecte. Cette garantie s'applique seulement à l'acheteur original ou à la personne l'ayant reçu en cadeau. La présentation du reçu de vente d'origine comme preuve d'achat est nécessaire pour faire une réclamation au titre de cette garantie. Cette garantie s'annule si le produit est utilisé autrement que par une famille ou si l'appareil est soumis à toute tension ou forme d'onde différente des caractéristiques nominales précisées sur l'étiquette (par ex. : 120 V ~ 60 Hz).

Nous excluons toutes les réclamations au titre de cette garantie pour les dommages spéciaux, consécutifs et indirects causés par la violation de garantie expresse ou implicite. Toute responsabilité est limitée au prix d'achat. **Chaque garantie implicite, y compris toute garantie ou condition de qualité marchande ou d'adéquation à un usage particulier, est exonérée, sauf dans la mesure interdite par la loi, auquel cas la garantie ou condition est limitée à la durée de cette garantie écrite.** Cette garantie vous donne des droits légaux précis. Vous pouvez avoir d'autres droits qui varient selon l'endroit où vous habitez. Certaines provinces ne permettent pas les limitations sur les garanties implicites ou les dommages spéciaux ou indirects de telle sorte que les limitations ci-dessus ne s'appliquent peut-être pas à votre cas.

Ne pas retourner cet appareil au magasin lors d'une réclamation au titre de cette garantie. Téléphoner au 1.800.851.8900 aux É.-U. ou au 1.800.267.2826 au Canada ou visiter le site internet www.hamiltonbeach.com aux É.-U. ou www.hamiltonbeach.ca au Canada. Pour un service plus rapide, trouvez le numéro de modèle, le type d'appareil et les numéros de série sur votre appareil.

SALVAGUARDIAS IMPORTANTES

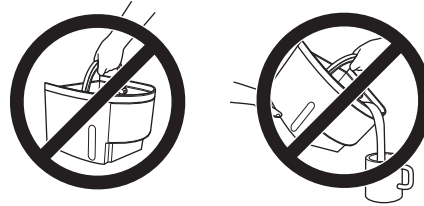
Cuando use aparatos eléctrico, siempre deben de seguirse precauciones básicas de seguridad para reducir riesgos de fuego, descargas eléctricas, y/o lesiones a personas, incluyendo lo siguiente:

1. Lea todas las instrucciones.
2. Verifique que el voltaje de su instalación corresponda con el del producto.
3. No toque superficies calientes. Use las manijas o perillas. Se debe de tener cuidado, ya que pueden ocurrir quemaduras al tocar partes calientes o por liquido caliente derramado.
4. Para protegerse contra una descarga eléctrica, no coloque el cable, enchufe o la BrewStation® en agua u otro líquido.
5. Se requiere de una estrecha supervisión cuando cualquier aparato está siendo usado por o cerca de niños.
6. Desconecte de la toma cuando la BrewStation® o el reloj no esté en uso y antes de limpiar. Deje enfriar antes de poner o quitar partes y antes de limpiar el aparato.
7. Se puede escaldar si la tapa es levantada durante el ciclo de preparación. No abra la tapa hasta que la cafetera se haya enfriado completamente.
8. La BrewStation® debe operar sobre una superficie plana lejos del borde de una cubierta para prevenir que se caiga accidentalmente.
9. No opere ningún aparato con un cable o enchufe dañado, o después de que el aparato funcione mal o se caiga o dañe de cualquier manera. Llame a nuestro número gratuito de servicio al cliente para información sobre examinación, reparación o ajuste.
10. El uso de aditamentos de accesorio no recomendados por el fabricante del aparato puede causar lesiones.
11. No use en exteriores.
12. No deje que el cable cuelgue del borde de la mesa o cubierta o toque superficies calientes, incluyendo el horno.
13. El tanque de café está diseñado para usarse con esta BrewStation®. No debe usarse sobre una estufa o en un horno de microondas.
14. No coloque la BrewStation® sobre o cerca de un quemador de gas o eléctrico caliente o sobre un horno caliente.
15. Para desconectar la BrewStation®, gire los controles a APAGADO, luego remueva el enchufe de la toma de la pared.
16. **¡ADVERTENCIA!** Para reducir el riesgo de fuego o descarga eléctrica, no remueva la cubierta inferior. No hay partes que requieran servicio en el interior. La reparación debe hacerse por personal de servicio autorizado únicamente.
17. No use el aparato para otro uso que no sea para el que fue hecho.

¡GUARDE ESTAS INSTRUCCIONES!

IMPORTANTE

Nunca use el tanque de café para vaciar o llevar café caliente.
Maneje el tanque de café sólo cuando tenga agua fría o café helado.



Información Adicional

- Si ocurre un desbordamiento: Deje que la unidad, café y el molido se enfríen completamente antes de intentar cualquier limpieza.
- Use sólo filtros de marca de alta calidad.
- Use sólo 1 cucharada de café molido por cada taza de agua. Cuando prepare café helado, utilice 2 cucharadas de café molido por cada taza de agua.
- Use limpiador de cafeteras para prevenir depósitos de agua dura que afecte el desempeño de la cafetera. Limpie mensualmente.
- No lave el tanque de café en el lavavajillas.
- Lea las instrucciones antes de usar.

Otra Información de Seguridad para el Cliente

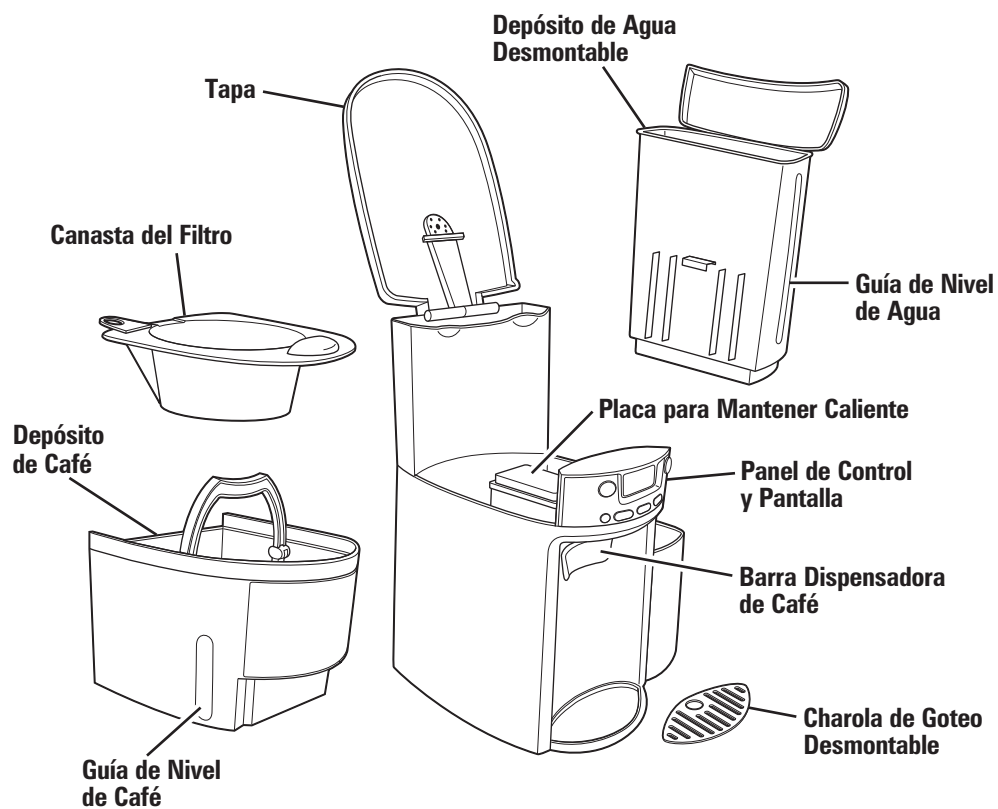
Este aparato está planeado para uso doméstico.

¡ADVERTENCIA! Peligro de Descarga Eléctrica: Este aparato cuenta con un enchufe polarizado (una pata más ancha) que reduce el riesgo de una descarga eléctrica. El enchufe embona únicamente en una dirección dentro de un tomacorriente polarizado. No trate de obviar el propósito de seguridad del enchufe modificándolo de alguna manera o utilizando un adaptador. Si el enchufe no entra completamente en la toma, invierta el enchufe. Si aún no entra, haga que un electricista reemplace la toma.

El largo del cable que se usa en este aparato fue seleccionado para reducir el peligro de que alguien se enganche o tropiece con un cable más largo. Si es necesario usar un cable más largo, se podrá usar un cable de extensión aprobado. La clasificación eléctrica nominal del cable de extensión debe ser igual o mayor que la clasificación nominal del aparato. Es importante tener cuidado de colocar el cable de extensión para que no se pliegue sobre el mostrador o la mesera en donde niños puedan tirar del mismo o tropezarse accidentalmente.

Para evitar una sobrecarga del circuito eléctrico, no use otro aparato de alto potencia en el mismo circuito con su BrewStation®.

Piezas y Características



ACCESORIOS OPTIONALS



Para Ordenar Llame al:
1.800.851.8900 (EE.UU.)
1.800.267.2826 (Canadá)
01.800.71.16.100 (México)
o visite hamiltonbeach.com
o visite hamiltonbeach.com.mx

Como Preparar Café

**La cuchara para café es una característica opcional en modelos seleccionados.*

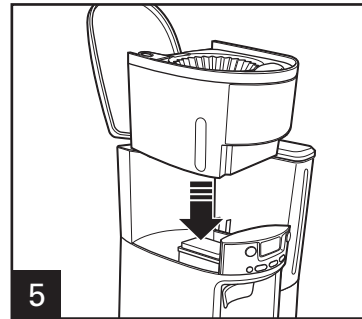
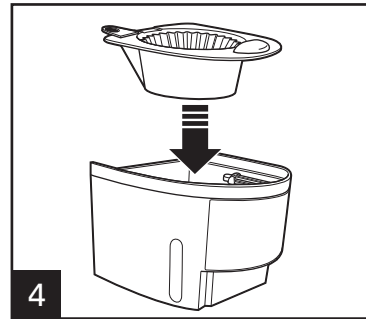
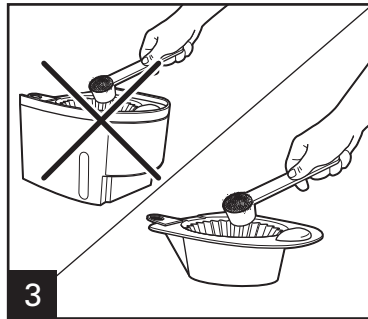
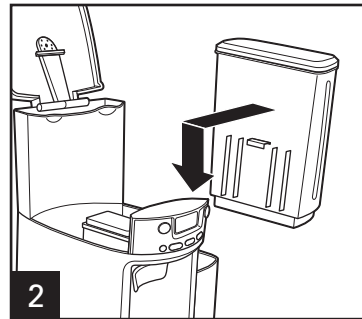
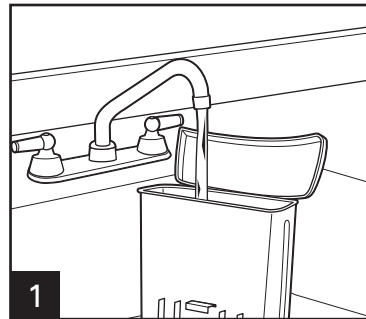
ANTES DE USAR POR PRIMERA VEZ:

Lave el tanque de café, canasta del filtro, y charola de goteo en agua caliente jabonosa. NUNCA ponga el tanque de café en el lavavajillas.

La BrewStation® puede ser programada para apagarse automáticamente en 0, 1, 2, 3, o 4 horas según lo deseado. El apagado automático está predeterminadamente en 2 horas.

⚠ ADVERTENCIA Peligro de Quemarse.

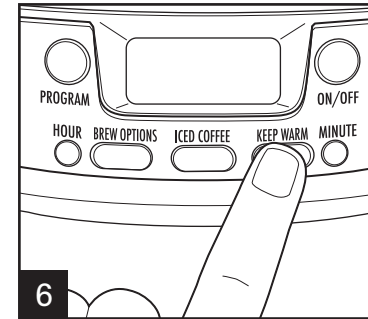
- Nunca use el tanque de café para vaciar o llevar café caliente.
- Manipule el depósito de café sólo cuando lo llene con hielo para preparar café helado para limpiar el tanque después de que la BrewStation® se haya apagado y el café esté fresco.
- Si la BrewStation® se desborda, desconecte la unidad. Deje que la unidad, café y el molido se enfríen completamente antes de limpiar la unidad, café o molido.



Café Recomendado por la Taza:
1 cucharón* o 1 cucharada al ras por taza

Para Preparar Café Helado:
2 cucharón* o 2 cucharada al ras por taza

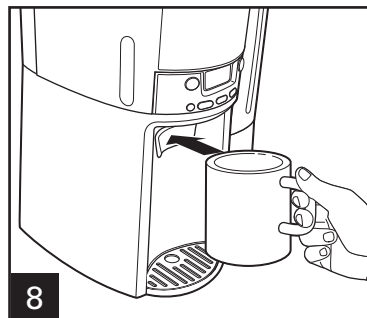
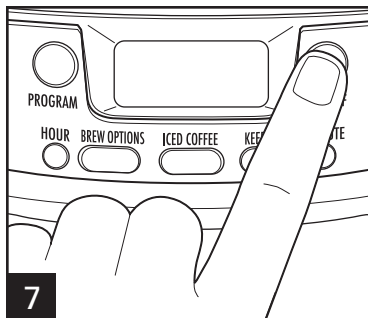
Cantidad Máxima de Café para BrewStation®:
12 cucharada



Coloque el filtro de papel en la canasta de preparación; agregue café. Evite que entre café molido en cualquier otra área de la BrewStation®.

Ajuste horas para **KEEP WARM** (mantener caliente) en 0, 1, 2, 3, o 4.

Como Preparar Café (cont.)



Opciones de Preparación

REGULAR (COMÚN)

Presione el botón **BREW OPTIONS** (opciones de preparación), sin visualización

BOLD (CARGADO)

Para café con sabor completo: Presione el botón **BREW OPTIONS** (opciones de preparación) hasta que se muestre **BOLD (CARGADO)**

1-4 CUPS (1-4 TAZAS)

Cuando prepare 1-4 tazas de café: Presione el botón **BREW OPTIONS** (opciones de preparación) hasta que se muestre **1-4 CUPS (1-4 TAZAS)**

NOTA: El modo **CARGADO** requerirán tiempo adicional para completar un ciclo de preparación. Se recomienda seleccionar una opción de preparación antes de presionar el botón **ON** (encendido). Sin embargo, la configuración puede cambiarse durante el ciclo de preparación. Si una Opción de Preparación no se selecciona, la cafetera preparará automáticamente en el ajuste regular/predeterminado.

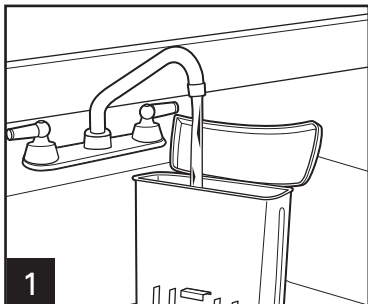
PARA RECALENTAR EL CAFÉ: Presione y sostenga el botón de **ON/OFF** (encendido/apagado) por 3 segundos. Esto reajustará el contador y mantendrá el café caliente por un número seleccionado de horas (0, 1, 2, 3, o 4).

Para Preparar Café Helado

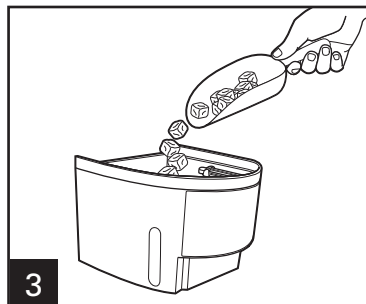
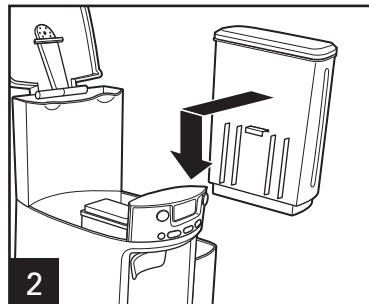
*El cucharón de café es una característica opcional en modelos seleccionados.

⚠ ADVERTENCIA Peligro de Quemarse.

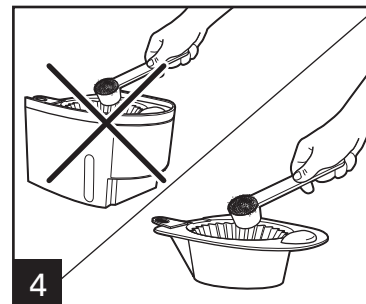
Si la BrewStation® se desborda, desconecte la unidad. Deje que la unidad, café y el molido se enfríen completamente antes de limpiar la unidad, café o molido.



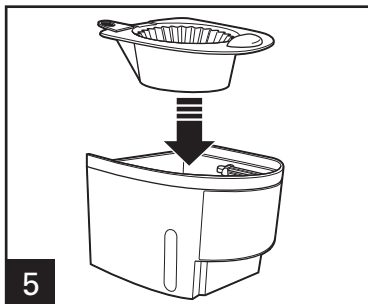
1
Llene el tanque de agua desmontable con agua. No llene más allá de la línea de 6-tazas cuando haga café helado.



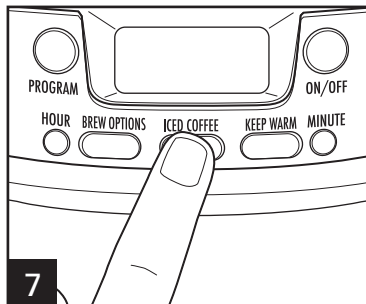
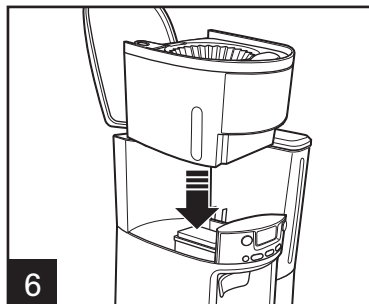
3
Llene el tanque de café con hielo hasta la línea marcando **10 CUPS** (10 tazas).



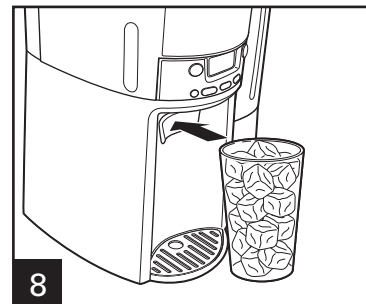
4
Coloque el filtro de papel en la canasta de preparación. Prepare el café doble aroma para café helado. Agregue 2 cucharones* o 2 cucharadas al ras de café molido por taza (hasta 12 cucharones).



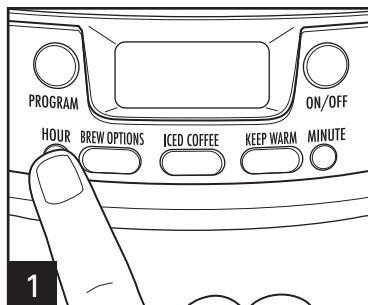
5
Asegúrese de que la canasta del filtro no toque el hielo. Si la canasta toca el hielo, el tanque se encuentra muy lleno. Reduzca el hielo hasta la línea indicadora de 10 tazas.



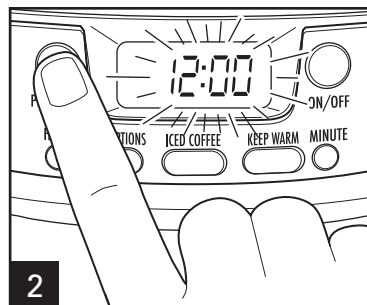
7
Seleccione **ICED COFFEE** (café helado). Presione **ON** (encendido). La configuración Keep Warm volverá a 0 en forma automática.



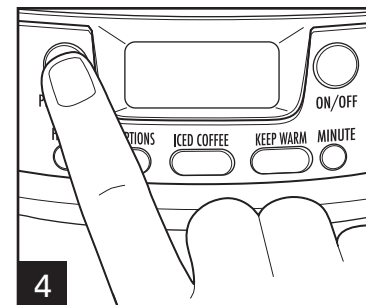
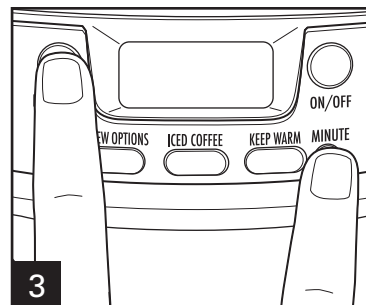
Programación



1 Paja Ajustar el Reloj: Presione **HOUR** (hora) y luego **MINUTE** (minuto).
NOTA: La hora del reloj se debe ajustar para poder usar la función de programación.



2 Para programar la auto preparación: Presione y sostenga **PROGRAM** (programa) hasta que el reloj parpadee. Continúe presionando **PROGRAM**, luego presione **HOUR** y **MINUTE** hasta que la hora de inicio se alcance. "START TIME" aparecerá después de seleccionar la hora. Seleccione **BREW OPTIONS** (opción de preparación) y la configuración **KEEP WARM** (mantener caliente), si así lo desea.



4 Presione y libere **PROGRAM** para activar la preparación automática. Una luz verde indicará que la unidad está en modo de programación. "START TIME" desaparecerá de la pantalla después de presionar el botón **PROGRAM** (programa).

Receta para Café Helado

Café Moca Helado con Canela

12 cucharadas de café molido 1 taza de jarabe de chocolate
1/2 cucharadita de canela molida 8 tazas de cubitos de hielo
1 1/2 tazas de "half-and-half"

1. Llene con agua el depósito de agua hasta la línea de 6 tazas. Llene el depósito de café con cubitos de hielo hasta la línea indicadora de 10 tazas. Coloque sobre el depósito de agua.
2. Coloque la canasta del filtro sobre el depósito de café. Agregue el filtro de café, el café y la canela en la canasta. Prepare el café.
3. Para una porción, vierta 8 onzas de café preparado dentro de una taza o vaso térmico de 12 onzas. Agregue 3 cucharadas de "half-and-half", 2 cucharadas de jarabe de chocolate y 1 taza de hielo. Mezcle y disfrute. **Porciones: 8 (12 onzas)**

Instrucciones Generales de Limpieza

INTERIOR DE LA CAFETERA:

Siga los pasos 1-5 de "Limpiando con Vinagre".

FILTRO DE AGUA:

Quite el filtro de agua del depósito de agua y lávelo a mano con agua tibia jabonosa.

FILTRO DEL DEPÓSITO DE CAFÉ:

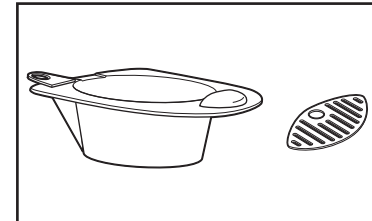
El filtro del depósito de café no puede quitarse. Para limpiarlo, haga correr agua a través de las partes superior e inferior del depósito. Controle la presencia de pérdidas.

EXTERIOR DE LA CAFETERA:

Limpie el exterior con un trapo suave y agua jabonosa caliente. No use limpiadores abrasivos, ya que tallarán el acabado del producto.

⚠ ADVERTENCIA

Peligro de Descarga. No sumerja el cable, enchufe o cafetera en ningún líquido.

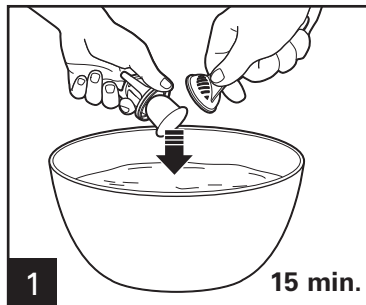


RESISTENTE AL LAVAVAJILLAS

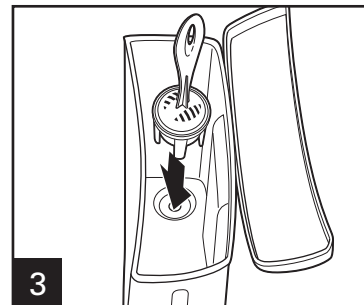
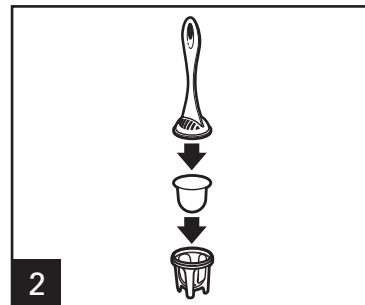
No utilice la configuración "SANI" cuando la lave en el lavavajillas. Las temperaturas del ciclo "SANI" pueden dañar su producto.

Filtro de Agua (accesorio opcional)

Para un café con mejor sabor, use un filtro de agua.
Se recomienda un reemplazo de filtro cada 60 ciclos.



32



Filtro de Agua (Accesorio Opcional)

Si usa un filtro de agua, debe ser reemplazado cada 60 ciclos para un mayor sabor del café.

Para Ordenar un Filtro de Agua

Llame a:

1.800.851.8900 (EE.UU.)

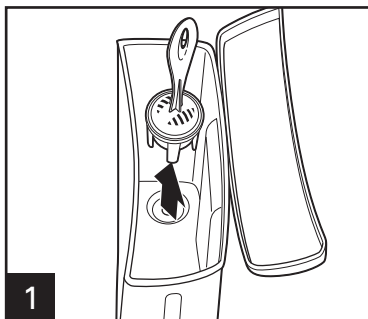
1.800.267.2826 (Canadá)

01.800.71.16.100 (México)

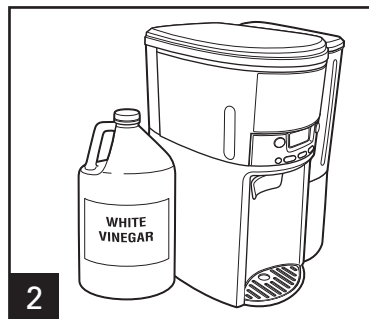
o visite hamiltonbeach.com.mx

Limpiando con Vinagre

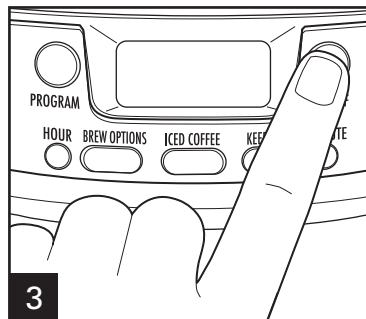
Limpe la BrewStation® al menos una vez al mes (una vez a la semana en áreas de agua dura).



1 Remueva el filtro de agua opcional.

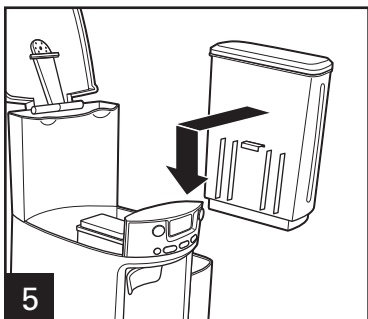
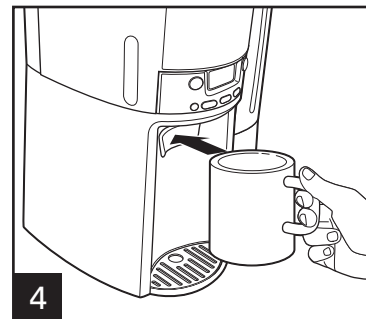


2 Vacíe medio litro (2 tazas/500 ml) de vinagre en el depósito de agua.

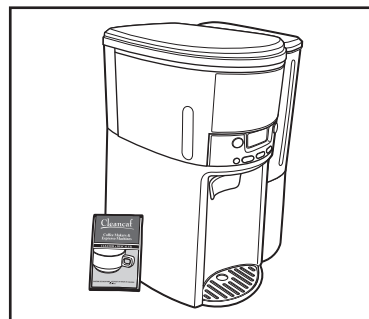


3 Presione **ENCENDIDO**. **APAGUE** después de 20 segundos y espere 30 minutos. Presione **ENCENDIDO**. **APAGUE** cuando termine. Cuando esté fresco, dispense varias tazas antes de vaciar y enjuagar el depósito. **NOTA:** La cafetera le recordará que es tiempo para limpieza en dos formas:

- Contador de ciclo integrado—Cada 30 ciclos, se encenderá CLEAN (limpieza) en la pantalla y permanecerá iluminado por 2 ciclos.
- Sensor de residuos integrado—Aparecerá CLEAN (limpieza) en la pantalla cuando al unidad sienta que hay acumulación de residuos y permanecerá iluminado hasta que la unidad sea limpiada.



5 Haga 2-3 ciclos de preparación más con AGUA LIMPIA solamente. Deje enfriar entre ciclos.



6 Los limpiadores comerciales de las cafeteras son el método recomendado de limpieza y se prefieren al vinagre ya que son más eficaces y NO dejan olor. Siga las instrucciones del paquete de los limpiadores comerciales de cafeteras.

**Para Solicitar Limpiador/Quitasarro
Llame al:**

1.800.851.8900 (EE.UU.)

1.800.267.2826 (Canadá)

01.800.71.16.100 (México)

**o visite hamiltonbeach.com
hamiltonbeach.com.mx**

Resolviendo Problemas

PROBLEMA	PROBABLE CAUSA
El café gotea del despachador.	<ul style="list-style-type: none"> • Hay café molido atrapado en el mecanismo dispensador del tanque del café debajo del anillo en el tanque de café. Vea “Limpiar con Vinagre”.
Aparece CLEAN (limpieza) en la pantalla.	<ul style="list-style-type: none"> • Este es un recordatorio para limpiar la cafetera. Vea “Limpiar con Vinagre”.
El café sabe mal.	<ul style="list-style-type: none"> • La cafetera necesita limpieza. • El café molido demasiado grueso o demasiado fino. Ajuste el molino de café a molido por goteo automático. • Relación de café a agua desbalanceada. Ajuste para preferencias personales. • Pobre calidad del agua. Use un filtro de agua o agua embotellada para hacer café. Para café helado, la presencia de mucho hielo en el depósito genera un tiempo de extracción demasiado prolongado. Asegúrese de que el hielo no se encuentre por encima de la línea indicadora de 10 tazas.
No se hace el café o deja de prepararse/la unidad no enciende.	<ul style="list-style-type: none"> • Se han acumulado depósitos minerales. Limpie la cafetera según “Limpiando con Vinagre”. • El depósito de agua está vacío. • La unidad está desconectada. • Baja energía o sobrecarga de energía. Si hay sobrecarga, desconecte, luego conecte de nuevo.
El café se prepara lentamente.	<ul style="list-style-type: none"> • La cafetera necesita limpieza. Limpie por lo menos cada 30 días para mantener un desempeño adecuado. • La cafetera está en los modos 1-4 CUPS o BOLD (1-4 TAZAS o CARGADO). Presione el botón BREW OPTIONS (opciones de preparación) hasta que no aparezca ninguna luz.
El café se desborda de la canastilla.	<ul style="list-style-type: none"> • Cantidad excesiva de café molido. Vea la Tabla en la página 28. • Café molido demasiado fino. Ajuste el molino de café a molido por goteo automático. • Hay más de un filtro de papel en la canastilla de filtro. Pobre calidad del filtro de papel o filtro de papel de tamaño equivocado.
El café está frío cuando se dispensa (cuando no se utiliza la configuración de café helado).	<ul style="list-style-type: none"> • Las Horas para Mantener Caliente seleccionadas han pasado y la cafetera se ha apagado automáticamente. Vea las instrucciones “Para Recalentar el Café” en la página 29, o prepare un nuevo ciclo.

Hamilton Beach®

Grupo HB PS, S.A. de C.V.,
Monte Elbruz 124-301, Colonia Palmitas,
Delegación Miguel Hidalgo, C.P. 11560,
México, Distrito Federal
01-800-71-16-100

PÓLIZA DE GARANTÍA

PRODUCTO:	MARCA:		MODELO:
Grupo HB PS, S.A. de C.V. cuenta con una Red de Centros de Servicio Autorizada, por favor consulte en la lista anexa el nombre y dirección de los establecimientos en la República Mexicana en donde usted podrá hacer efectiva la garantía, obtener partes, componentes, consumibles y accesorios; así como también obtener servicio para productos fuera de garantía. Para mayor información llame sin costo: Centro de Atención al consumidor: 01 800 71 16 100			
Grupo HB PS, S.A. de C.V. le otorga a partir de la fecha de compra: GARANTÍA DE 1 AÑO.			
COBERTURA			
<ul style="list-style-type: none">• Esta garantía ampara, todas las piezas y componentes del producto que resulten con defecto de fabricación incluyendo la mano de obra.• Grupo HB PS, S.A. de C.V. se obliga a reemplazar, reparar o reponer, cualquier pieza o componente defectuoso; proporcionar la mano de obra necesaria para su diagnóstico y reparación, todo lo anterior sin costo adicional para el consumidor.• Esta garantía incluye los gastos de transportación del producto que deriven de su cumplimiento dentro de su red de servicio.			
LIMITACIONES			
<ul style="list-style-type: none">• Esta garantía no ampara el reemplazo de piezas deterioradas por uso o por desgaste normal, como son: cuchillas, vasos, vasos, filtros, etc.• Grupo HB PS, S.A. de C.V. no se hace responsable por los accidentes producidos a consecuencia de una instalación eléctrica defectuosa, ausencia de toma de tierra, clavija de enchufe en mal estado, etc.			
EXCEPCIONES			
Esta garantía no será efectiva en los siguientes casos: <ul style="list-style-type: none">a) Cuando el producto se hubiese utilizado en condiciones distintas a las normales. (Uso industrial, semi-industrial o comercial.)b) Cuando el producto no hubiese sido operado de acuerdo con el instructivo de uso.c) Cuando el producto hubiese sido alterado o reparado por personas no autorizadas por Grupo HB PS, S.A. de C.V. el fabricante nacional, importador o comercializador responsable respectivo.d) Esta garantía pierde su validez si el producto es utilizado en un medio diferente a una vivienda unifamiliar o se somete a cualquier voltaje o forma de onda diferente a la especificada en la etiqueta de clasificación (ej., 120V ~ 60 Hz). El consumidor puede solicitar que se haga efectiva la garantía ante la propia casa comercial donde adquirió su producto, siempre y cuando Grupo HB PS, S.A. de C.V. no cuente con talleres de servicio.			

PROCEDIMIENTO PARA HACER EFECTIVA LA GARANTÍA

- Para hacer efectiva la garantía no deben exigirse mayores requisitos que la presentación del producto y la póliza correspondiente, debidamente sellada por el establecimiento que lo vendió.
- Para hacer efectiva la garantía, lleve su aparato al Centro de Servicio Autorizado más cercano a su domicilio (consulte la lista anexa).
- Si no existe Centro de Servicio Autorizado en su localidad llame a nuestro Centro de Atención al Consumidor para recibir instrucciones de como hacer efectiva su garantía.
- El tiempo de reparación, en ningún caso será mayor de 30 días naturales contados a partir de la fecha de recepción del producto en nuestros Centros de Servicio Autorizados.
- En caso de que el producto haya sido reparado o sometido a mantenimiento y el mismo presente deficiencias imputables al autor de la reparación o del mantenimiento dentro de los treinta días naturales posteriores a la entrega del producto al consumidor, éste tendrá derecho a que sea reparado o mantenido de nuevo sin costo alguno. Si el plazo de la garantía es superior a los treinta días naturales, se estará a dicho plazo.
- El tiempo que duren las reparaciones efectuadas al amparo de la garantía no es computable dentro del plazo de la misma. Cuando el bien haya sido reparado se iniciará la garantía respecto de las piezas repuestas y continuará con relación al resto. En el caso de reposición del bien deberá renovarse el plazo de la garantía.

DÍA__ MES__ A--O__

Si desea hacer comentarios o sugerencias con respecto a nuestro servicio o tiene alguna queja derivada de la atención recibida en alguno de nuestros Centros de Servicio Autorizados, por favor dirigirse a:

GERENCIA INTERNACIONAL DE SERVICIO
01 800 71 16 100

Email: mexico.service@hamiltonbeach.com.mx

RED DE CENTROS DE SERVICIO AUTORIZADA GRUPO HB PS, S.A. DE C.V.

Distrito Federal

ELECTRODOMÉSTICOS

Av. Plutarco Elías Calles No. 1499
Zacahuiztco MEXICO 09490 D.F.

Tel: 01 55 5235 2323 • Fax: 01 55 5243 1397

CASA GARCIA

Av. Patriotismo No. 875-B
Mixcoac MEXICO 03910 D.F.

Tel: 01 55 5563 8723 • Fax: 01 55 5615 1856

Nuevo Leon

FERNANDO SEPULVEDA REFACCIONES

Ruperto Martínez No. 238 Ote.
Centro MONTERREY, 64000 N.L.

Tel: 01 81 8343 6700 • Fax: 01 81 8344 0486

Jalisco

SERVICIOS DE MANTENIMIENTO CASTILLO

Garibaldi No. 1450
Ladrón de Guevara
GUADALAJARA 44660 Jal.

Tel: 01 33 3825 3480 • Fax: 01 33 3826 1914

Chihuahua

DISTRIBUIDORA TURMIX

Av. Paseo Triunfo de la Rep. No. 5289 Local 2 A.
Int. Hipermart

Alamos de San Lorenzo
CD. JUAREZ 32340 Chih.

Tel: 01 656 617 8030 • Fax: 01 656 617 8030

Modelos:
47900, 47900C, 47950, 47950C

Tipo:
A83

Características Eléctricas:
120V~ 60Hz 950W

Los modelos incluidos en el instructivo de Uso y Cuidado pueden ir seguidos o no por un sufijo correspondiente a una o varias letras del alfabeto y sus combinaciones, separadas o no por un espacio, coma, diagonal, o guión. Como ejemplos los sufijos pueden ser: "Y" y/o "MX" y/o "MXY" y/o "Z".