

READ BEFORE USE

Visit www.hamiltonbeach.in for our complete line of products and Use and Care Guides – as well as delicious recipes, tips, and other useful information!

Questions?
Please call us – our friendly associates are ready to help.
1.800.42.555.43

Hamilton Beach®



Stack & Press
3-Cup Glass
Bowl Chopper

IMPORTANT SAFEGUARDS

This appliance is intended for household use only.

When using electrical appliances, basic safety precautions should always be followed to reduce the risk of fire, electric shock, and/or injury to persons, including the following:

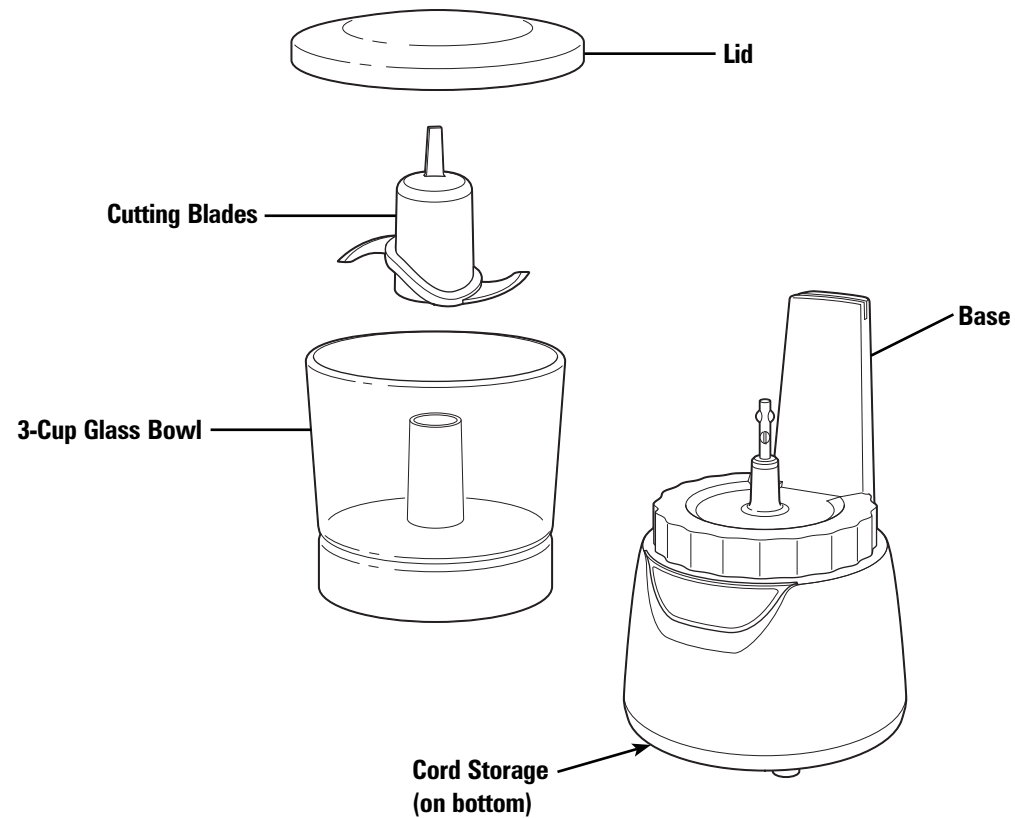
1. Read all instructions.
2. This appliance can be used by children aged from 8 years and above and persons with reduced physical, sensory, or mental capabilities, or lack of experience and knowledge, if they have been given supervision or instruction concerning use of the appliance in a safe way and understand the hazards involved.
3. Children shall not play with the appliance. Cleaning and user maintenance shall not be made by children without supervision.
4. To protect against risk of electrical shock, do not put cord, plug, or base in water or other liquid.
5. Unplug from outlet when not in use, before putting on or taking off parts, and before cleaning.
6. Avoid contacting moving parts.
7. Do not operate any appliance with a damaged supply cord or plug, or after the appliance malfunctions, or is dropped or damaged in any manner. Call our toll-free customer assistance number for information. Supply cord replacement and repairs must be conducted by the manufacturer, its service agent, or similarly qualified persons in order to avoid a hazard.
8. The use of attachments not recommended or sold by the appliance manufacturer may cause fire, electric shock, or injury.
9. Do not use outdoors.
10. Do not let cord hang over edge of table or counter, or touch hot surfaces, including stove.
11. Do not place on or near a hot gas or electric burner, or in a heated oven.
12. Keep hands and utensils away from the cutting blades while chopping food to reduce the risk of severe injury to persons or damage to the food chopper. A scraper may be used but must be used only when the food chopper is not running.

- 13.** Blades are sharp. Handle carefully.
- 14.** This appliance is intended for processing small quantities of food for immediate consumption. This appliance is not intended to prepare large quantities of food at one time.
- 15.** To reduce the risk of injury, never place cutting blade on base without first putting bowl properly in place.
- 16.** Be certain lid is securely locked in place before operating appliance.
- 17.** Do not attempt to defeat the lid interlock mechanism.
- 18.** Do not use appliance for other than intended use.

SAVE THESE INSTRUCTIONS!

Parts and Features

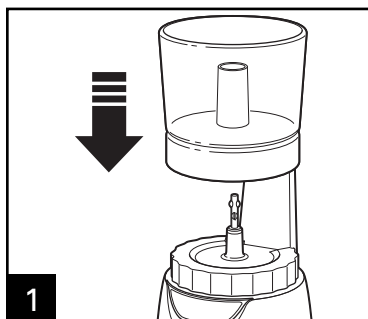
BEFORE FIRST USE: Unpack chopper. Handle blades carefully; they are very sharp. Wash all parts except base in hot, soapy water. Rinse; then dry.



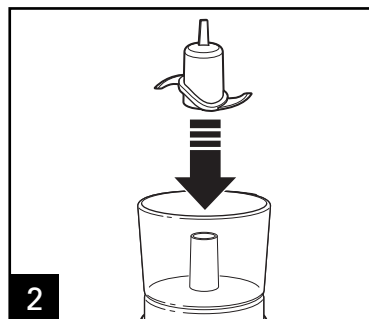
How to Use the Chopper

⚠ WARNING Laceration Hazard.

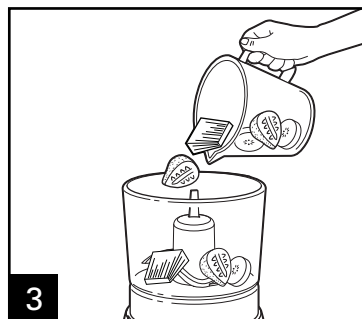
Handle blade carefully; it is very sharp. Make sure unit is turned OFF and is unplugged.



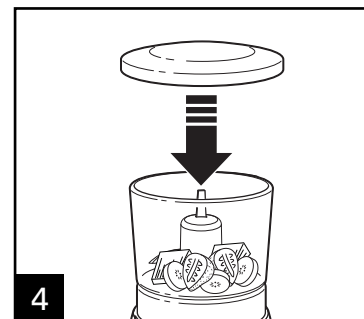
1 Make sure chopper is unplugged. Place bowl onto base.



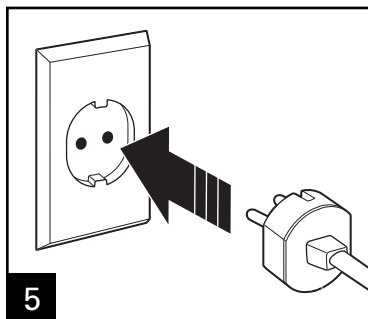
2 Carefully place blade in bowl over center shaft. Turn until blade slips down to bottom of bowl.



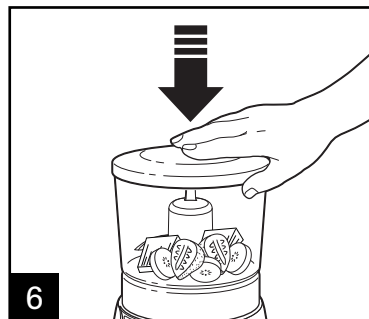
3 Place food in bowl.



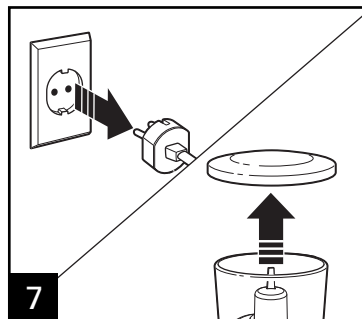
4 Place lid on bowl.



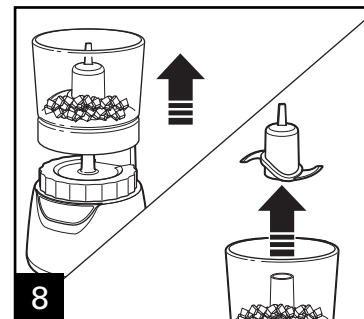
5



6 Press lid to chop. To turn off, release lid. Do not remove lid until blade has stopped turning.



7



8 Remove bowl from base. Carefully remove blade.

5

Chopping Tips

- The bowl has a capacity of 710 ml (3 cups). For liquid ingredients, do not exceed 355 ml (1 1/2 cups) (MAX LIQUID FILL line on bowl).
- For more control, process by pressing lid briefly, then releasing. Check consistency and continue if desired.
- Tear bread into pieces; then process to make bread crumbs. Break crackers or cookies into pieces; then process into crumbs for use as recipe ingredients or pie crusts.
- To chop carrots, celery, mushrooms, capsicum, or onion, cut into 2.54-cm (1-inch) chunks and place in bowl. This will result in more uniform consistency.
- Chop nuts; mince coriander, parsley, basil, chives, or garlic.
- Do not process raw meat, coffee beans, or whole, hard spices in the food chopper. This could damage the electric chopper.

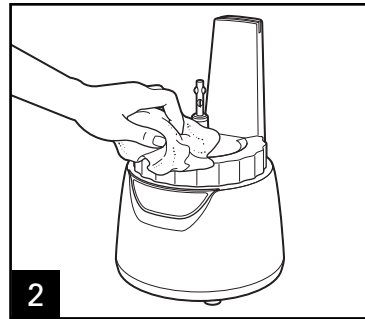
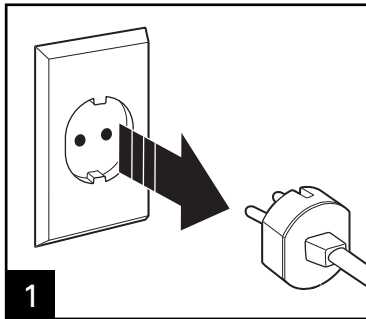
Processing Chart

TO MAKE	INSTRUCTIONS
Bread Crumbs	Tear bread slices (up to 3) into 6 pieces.
Cheese, Parmesan	Cut in 1.3-cm (1/2-inch) cubes. Process 118 ml (1/2 cup) of cubes at a time.
Cookie Crumbs	Break into pieces. Use up to 473 ml (2 cups) of pieces.
Fruit, Chopped	Cut fruit into large chunks. Place up to 473 ml (2 cups) of pieces into chopper.
Garlic, Minced	Peel; then process 1 or more cloves at a time.
Herbs, Chopped	Place up to 237 ml (1 cup) in chopper.
Nuts, Chopped	Place up to 237 ml (1 cup) in chopper.
Parsley	Pinch off sprigs from bunch.
Vegetables	Cut vegetables into 2.54-cm (1-inch) chunks. Place up to 473 ml (2 cups) in chopper at a time.

Care and Cleaning

⚠ WARNING Electric Shock Hazard.

Do not immerse base, cord, or plug in water or any other liquid.



Wipe chopper base with a damp cloth or sponge. To remove stubborn spots, use a mild, nonabrasive cleanser.



DO NOT use the "SANI" setting when washing in the dishwasher. "SANI" cycle temperatures could damage your product. Parts may also be washed with hot, soapy water. Care should be taken when handling the cutting blades as they are very sharp. Rinse and dry thoroughly. Do not soak.

Limited Warranty

CUSTOMER NAME: _____

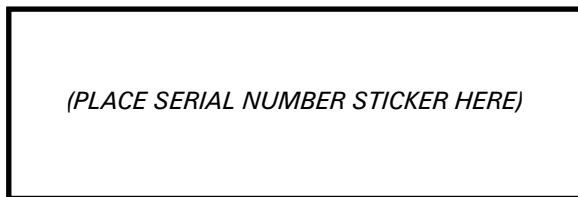
ADDRESS: _____

PHONE NUMBER: _____

MODEL NUMBER: _____

DATE OF PURCHASE: _____ BILL NUMBER: _____

SERIAL NUMBER:



EXPIRY DATE:

SHOULD ANY DEFECT IN MATERIAL OR WORKMANSHIP DEVELOP IN THE PRODUCT,

- CALL 1.800.42.555.43 OR VISIT www.hamiltonbeach.in FOR SERVICE CENTER LOCATIONS OR
- KINDLY TAKE THE PRODUCT TO THE PLACE OF PURCHASE OR
- CALL 1.800.42.555.43 FOR SERVICE AT HOME¹

THE PRODUCT OR ANY COMPONENT OF PRODUCT FOUND TO BE DEFECTIVE WILL BE REPAIRED OR REPLACED FREE OF CHARGE DURING THE WARRANTY PERIOD OF 2 YEARS, FROM THE DATE OF PURCHASE. IF THE PRODUCT OR COMPONENT IS NO LONGER AVAILABLE, WE WILL REPLACE WITH A SIMILAR ONE OF EQUAL OR GREATER VALUE.

¹At-home service is limited to certain geographical areas in India; please call 1.800.42.555.43 for further details.

840217210

NAME OF DEALER: _____

DEALER'S SIGNATURE: _____

CUSTOMER'S SIGNATURE: _____

STAMP:

VALIDITY:

- THIS WARRANTY IS ISSUED SUBJECT TO THE PRODUCTION AND VERIFICATION OF THE ORIGINAL PROOF OF PURCHASE.
- THIS WARRANTY IS VALID IN INDIA ONLY AND IF PRODUCT HAS BEEN PURCHASED FROM AN AUTHORIZED HAMILTON BEACH DEALER.
- THIS WARRANTY DOES NOT COVER GLASS, FILTERS, WEAR FROM NORMAL USE, USE NOT IN CONFORMITY WITH THE PRINTED DIRECTIONS, OR DAMAGE TO THE PRODUCT RESULTING FROM ACCIDENT, ALTERATION, ABUSE, OR MISUSE. THIS WARRANTY ONLY EXTENDS TO THE ORIGINAL CONSUMER PURCHASER OR THE GIFT RECIPIENT.

THE WARRANTY WILL BE CONSIDERED INVALID IF:

- PRODUCT HAS NOT BEEN USED PER THE MANUFACTURER'S OPERATING INSTRUCTIONS.
- PRODUCT HAS BEEN SERVICED, REPAIRED, OPENED, OR TAMPERED WITH BY ANY UNAUTHORIZED PERSON.
- UNAUTHORIZED CORRECTION/ALTERATIONS IN INVOICE COPY/ INSTALLATION NOTE/SERIAL NUMBER OF PRODUCT.
- INCOMPLETE WARRANTY CARD AFTER PURCHASE.
- ANY ATTACHMENTS NOT RECOMMENDED BY THE MANUFACTURER HAVE BEEN USED ON THE PRODUCT.
- PRODUCT IS USED FOR OTHER THAN SINGLE-FAMILY HOUSEHOLD USE OR SUBJECTED TO ANY VOLTAGE AND WAVEFORM OTHER THAN 220-240V~/ 50/60 Hz.

12/14