

**READ BEFORE USE
LIRE AVANT UTILISATION
LEA ANTES DE USAR**

Visit www.hamiltonbeach.com for our complete line of products and Use and Care Guides – as well as delicious recipes, tips, and to register your product online!

Rendez-vous sur www.hamiltonbeach.ca pour notre liste complète de produits et de nos manuels utilisateur – ainsi que nos délicieuses recettes et nos conseils !

iVisite www.hamiltonbeach.com (EE. UU.) o www.hamiltonbeach.com.mx (México) para ver otros productos de Hamilton Beach o para contactarnos!

Questions?

Please call us – our friendly associates are ready to help.
USA: 1.800.851.8900

Questions ?

N'hésitez pas à nous appeler – nos associés s'empresseront de vous aider.
CAN : 1.800.267.2826

¿Preguntas?

Por favor llámenos – nuestros amables representantes están listos para ayudar.
EE. UU.: 1.800.851.8900
MEX: 01 800 71 16 100

Le invitamos a leer cuidadosamente este instructivo antes de usar su aparato.

Hamilton Beach®





Blender Mélangeur Licuadora

English	2
Français	21
Español	40

IMPORTANT SAFEGUARDS

When using electrical appliances, basic safety precautions should always be followed to reduce the risk of fire, electric shock, and/or injury to persons, including the following:

1. Read all instructions.
2. This appliance is not intended for use by persons (including children) with reduced physical, sensory, or mental capabilities, or lack of experience and knowledge, unless they are closely supervised and instructed concerning use of the appliance by a person responsible for their safety.
3. Close supervision is necessary when any appliance is used near children. Children should be supervised to ensure that they do not play with the appliance.
4. This appliance shall not be used by children. Keep the appliance and its cord out of reach of children.
5. To protect against risk of electrical shock, do not put cord, plug, base, or motor in water or other liquid.
6. Unplug cord from outlet when not in use, before putting on or taking off parts, and before cleaning.
7. Avoid contact with moving parts.
8. Do not operate any appliance with a damaged supply cord or plug, or after the appliance malfunctions or has been dropped or damaged in any manner. Supply cord replacement and repairs must be conducted by the manufacturer, its service agent, or similarly qualified persons in order to avoid a hazard. Call the provided customer service number for information on examination, repair, or adjustment.
9. The use of attachments, including canning jars, not recommended or sold by the appliance manufacturer may cause a risk of injury to persons.
10. Do not use outdoors.
11. Do not let cord hang over edge of table or counter or touch hot surfaces, including stove.
12. Keep hands and utensils out of blender jar while blending to reduce the risk of severe personal injury and/or damage to blender. A rubber spatula may be used but must be used only when blender is not running.
13. The rating of this multipurpose appliance is based on the blender jar that draws the greatest current and other recommended attachments may draw significantly less current.
14. Blades are sharp; handle carefully—especially when assembling, disassembling, or cleaning.
15. Do not use a broken, chipped, or cracked blender jar.
16. Do not use broken, cracked, or loose cutting blade assembly.
17. To reduce the risk of injury, never place cutting blade assembly on base without blender jar properly attached.
18. Always operate blender with lid in place.
19. When blending hot liquids in the blender jar, open center vent opening of lid and close the edge cover opening intended for pouring. To prevent possible burns: Do not exceed the 3-cup (710-ml) level. Hot liquids may push off lid during blending; therefore, with the protection of an oven mitt or thick towel, place one hand on top of the lid, keep exposed skin away from the lid, and start blending at lowest speed.
20. Do not blend hot liquids in the travel jar.
21. Ensure collar on base of blender jar and travel jar is tight and secure. Injury can result if moving blades accidentally become exposed.
22. If the jar should twist or rotate when the motor is switched on, switch OFF (●) immediately and tighten jar in collar or on blender base.
23. Do not leave blender unattended while it is operating.

- 
- 
24. Before plugging cord into wall outlet, turn the control to OFF (○). To disconnect cord, turn the control to OFF (○). Then remove plug from wall outlet.
 25. Operating time cannot exceed 3 minutes for any accessory or speed setting.
 26. Be careful if hot liquid is poured into the blender as it can be ejected out of the appliance due to sudden steaming.
 27. Do not place on or near a hot gas or electric burner, or in a heated oven.
 28. Do not use appliance for other than intended purpose.
 29. Keep hands and utensils away from moving chopping/mixing blade and slicing/shredding disc while processing food to reduce the risk of severe personal injury and/or damage to the food processor. A rubber scraper may be used but ONLY when the food processor or chopper is not running.
 30. The chopping/mixing blade and slicing/shredding disc are sharp. Handle carefully. Store out of reach of children.
 31. To reduce the risk of injury, never place chopping/mixing blade or slicing/shredding disc on the processor or chopper motor shaft without bowl properly attached.
 32. Be certain lid is securely locked in place before operating food processor or chopper.
 33. Never feed food into food chute by hand. Always use the food pusher.
 34. Do not attempt to defeat the processor or chopper lid interlock mechanism.
 35. Make sure the chopping/mixing blade and slicing/shredding disc have come to a full stop before removing processor or chopper lid.
 36. Never use appliance for a longer period or with a larger amount of ingredients other than that recommended by appliance manufacturer. See section titled "Food Processing Charts."
 37. **CAUTION:** In order to avoid a hazard due to inadvertent resetting of the thermal cut-out, this appliance must not be supplied through an external switching device, such as a timer, or connected to a circuit that is regularly switched on and off by the utility.

SAVE THESE INSTRUCTIONS

Other Consumer Safety Information

This appliance is intended for household use only. Use for food or liquids only.

⚠ WARNING Electrical Shock Hazard: This appliance is provided with a polarized plug (one wide blade) to reduce the risk of electric shock. The plug fits only one way into a polarized outlet. Do not defeat the safety purpose of the plug by modifying the plug in any way or by using an adapter. If the plug does not fit fully into the outlet, reverse the plug. If it still does not fit, have an electrician replace the outlet.

The length of the cord used on this appliance was selected to reduce the hazards of becoming tangled in or tripping over a longer cord. If a longer cord is necessary, an approved extension cord may be used. The electrical rating of the extension cord must be equal to or greater than the rating of the appliance. Care must be taken to arrange the extension cord so that it will not drape over the countertop or tabletop where it can be pulled on by children or accidentally tripped over.

If the cutting blade assembly locks and will not move, it will damage the motor. Do not use. Call the toll-free customer service number for information.

Do not place blender jar in the freezer filled with food or liquid. This can result in damage to the cutting blade assembly, jar, blender, and possibly result in personal injury.

Wattage/Peak Power Information

The wattage/ampere rating of the blender is determined by an Underwriters Laboratory test and is based on available cutting blade assembly, jar combinations, and attachments that may not be provided with your unit, but are available as replacement parts. This is a measure of input wattage/amperes after 30 seconds of operation.

Peak power is the measure of the motor wattage during the first seconds of operation. This is when a blender requires the most power to crush ice, frozen fruit, etc. This is a better measure of what a blender motor can consume when power is needed most.

Parts and Features

*To order parts:

US: 1.800.851.8900

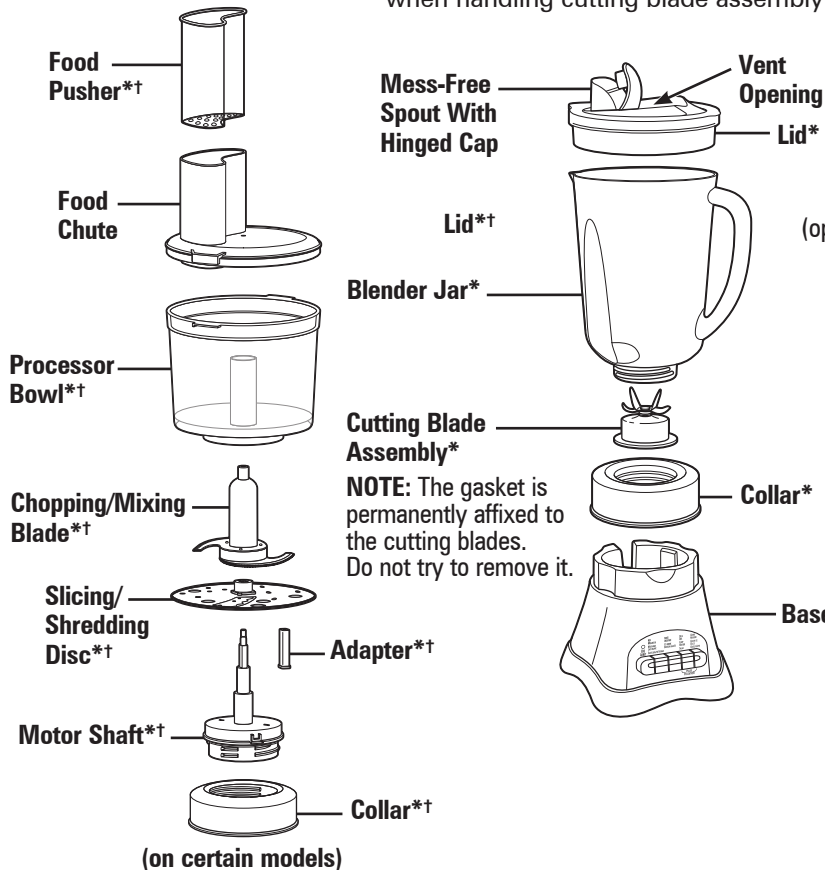
www.hamiltonbeach.com

Canada: 1.800.267.2826

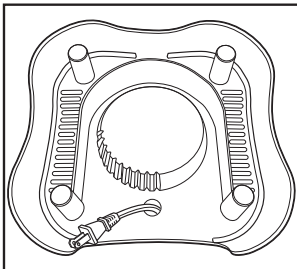
Mexico: 01 800 71 16 100

†Optional Accessory
on Select Models

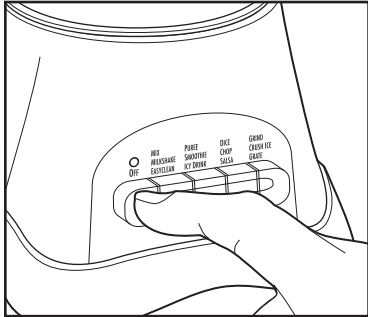
BEFORE FIRST USE: Wash everything except blender base in hot, soapy water. Dry thoroughly. Wipe blender base with a damp cloth or sponge. **DO NOT IMMERSE BASE IN WATER.** Care should be taken when handling cutting blade assembly as it is very sharp.



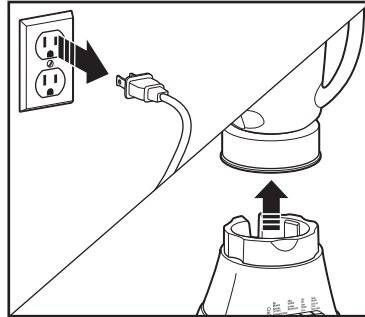
Cord Stuff Storage
(located on bottom of base)



Using Your Blender (cont.)



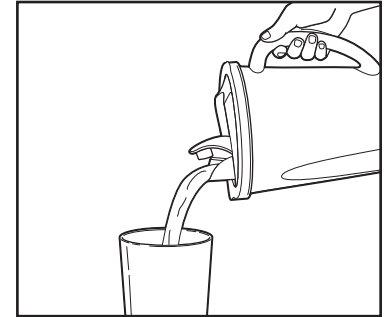
7. Press OFF (●) to turn off blender.



8. Unplug. Remove blender jar from base.



9. Open spout.



10. Pour mixture into container.

Blender Tips

- To add foods when blender is operating, open hinged pouring cap and add ingredients through the opening.
- For best performance, the minimum amount of liquid needed per recipe is one cup (8 ounces/237 ml). Add more liquid if food is not blending properly.
- If blending action stops during blending or ingredients stick to sides of the jar, there may not be enough liquid in the jar to blend efficiently.
- Do not try to mash potatoes, mix stiff dough, whip egg whites, grind raw meat, or extract juices from fruits and vegetables.
- Do not store food or liquids in the blender jar.
- Avoid bumping or dropping the blender when in operation or at any time.

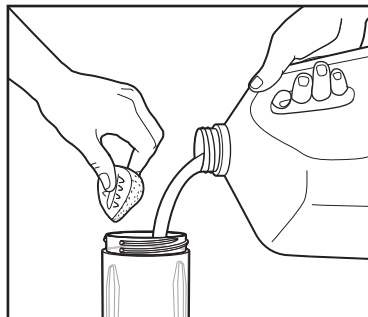
Using the Travel Jar

⚠ WARNING Burn Hazard.

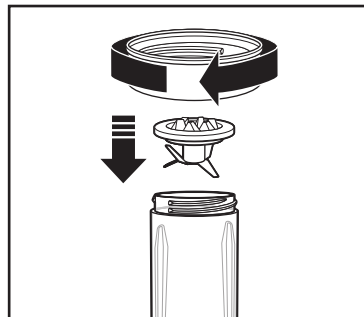
Do not blend hot ingredients. Pressure may build, causing jar to pop off and hot ingredients to erupt.

⚠ WARNING Laceration Hazard.

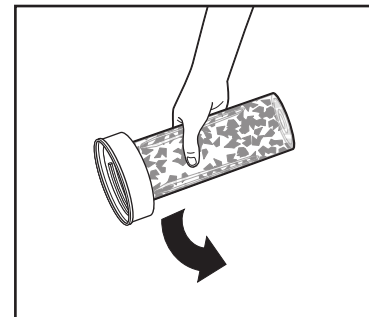
Handle blade carefully; it is very sharp. Make sure unit is turned OFF (○) and is unplugged.



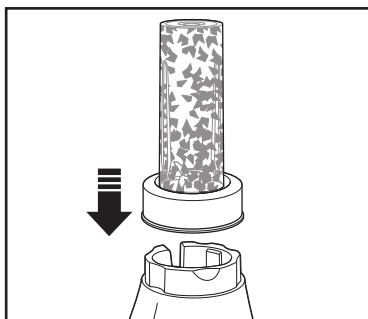
1. Add ingredients to travel jar.



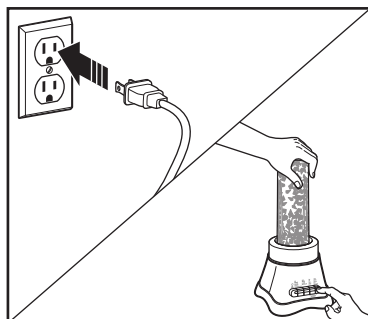
2. Carefully place cutting assembly and collar onto travel jar.



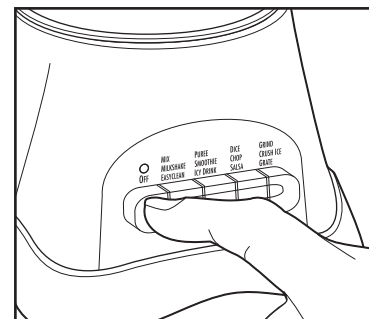
3. Turn travel jar upside down and shake to mix ingredients.



4. Place onto base.

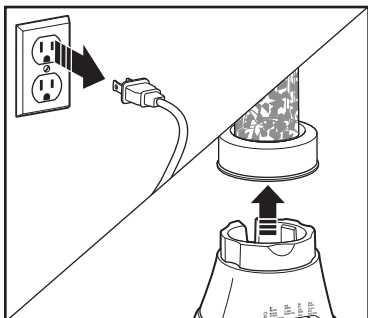


5. Plug into outlet. Push the desired speed button. When using the PULSE buttons, the blender will only run when the button is held down. Hold jar in place while blending.



6. Press OFF (○) to turn off blender.

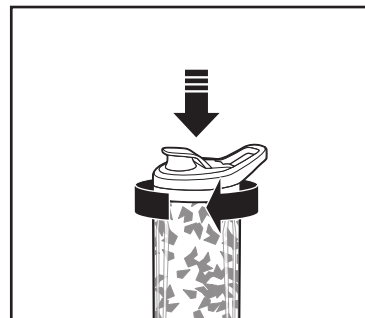
Using the Travel Jar (cont.)



7. Unplug. Remove travel jar from base.



8. Turn bottom up; remove collar and cutting blade assembly from jar.



9. Hand-tighten drinking lid onto travel jar.

Blending Tips

- If blending action does not start, stops during blending, or ingredients stick to sides of the jar, turn blender OFF (O). Remove jar, shake contents, and return to blending.
- For best performance in the 20-oz. travel jar, the minimum amount of liquid needed per recipe is 3/4 cup (6 ounces/177 ml).
- When filling the jar, place frozen ingredients or ice into the jar first. When turned upside down to blend, the frozen items will be on the top.
- Do not chop or process hard foods such as cheese, crackers, or meat.
- Avoid bumping or dropping the blender.
- Do not blend hot liquids in travel jar.
- Do not fill travel jar above MAX fill line.

Blending Drinks With Blender Jar

TYPE OF DRINK	INGREDIENTS	NUMBER OF SERVINGS	BLENDER SETTING/TIME
Fruit Smoothie	1 cup (237 ml) milk 1 1/2 cups (355 ml) yogurt 2 cups (473 ml) frozen berries or other fruit Sweetener to taste (optional)	3 to 4 (makes 4 cups [946 ml])	SMOOTHIE setting for 45 seconds or until blended.
Milkshake	1 1/2 cups (355 ml) milk 2 large scoops ice cream 2 to 3 tablespoons (15 to 44 ml) flavored syrup	2 to 3 (makes 3 cups [710 ml])	MILKSHAKE setting for 5 to 10 seconds or LOW until blended.
Frozen Drink	1 cup (237 ml) drink mix, such as Piña Colada mix 10 ice cubes	2 (makes 2 cups [473 ml])	ICY DRINK setting for 45 seconds or PULSE 5 times and blend on HIGH for 45 seconds or until blended.

TIPS FOR BEST RESULTS:

- Always place liquid in blender jar first, then remaining ingredients.
- If frozen fruit or ice are not blending, stop blender and pulse a few times.
- See “Blending Tips” on page 7.

Blending Drinks With the Travel Jar

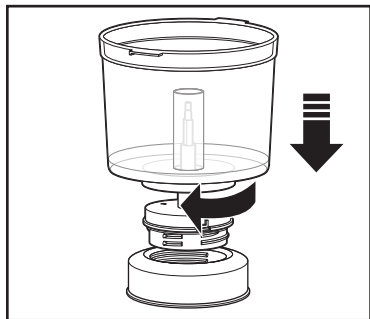
TYPE OF DRINK	INGREDIENTS	NUMBER OF SERVINGS	BLENDER SETTING/TIME
Whole Juice	1/2 cup (118 ml) frozen mango or pineapple 1 handful baby spinach leaves 1 cup (237 ml) green seedless grapes	2 to 3 (makes 2–2 1/2 cups [473 to 591 ml])	Add ingredients to jar in order listed. Place cutting blade assembly on top of jar; secure with collar. Turn upside down on blender and place hand on top of jar to hold in place. Blend on SMOOTHIE for 30 seconds. Remove jar from blender. Shake ingredients in jar and return to blend on SMOOTHIE for 15 to 20 seconds longer. Remove collar and blade and screw on drinking lid.
Fruit Smoothie	1 cup (237 ml) frozen strawberries 1 large banana 1/4 cup (59 ml) greek vanilla yogurt 3/4 cup (177 ml) pineapple juice	2 to 3 (makes 2–2 1/2 cups [473 to 591 ml])	Add ingredients to jar in order listed. Place cutting blade assembly on top of jar; secure with collar. Turn upside down on blender and place hand on top of jar to hold in place. Blend on SMOOTHIE for 25 to 30 seconds. Remove collar and blade and screw on drinking lid.
Milkshake	3 scoops any flavor ice cream (#16 scoop) 3/4 cup (177 ml) milk or coconut milk	2 to 3 (makes 2–2 1/2 cups [473 to 591 ml])	Add ingredients to jar in order listed. Place cutting blade assembly on top of jar; secure with collar. Turn upside down on blender and place hand on top of jar to hold in place. Blend on MILKSHAKE for 20 seconds. Remove collar and blade and screw on drinking lid.

TIPS FOR BEST RESULTS: See “Blending Tips” on page 9.

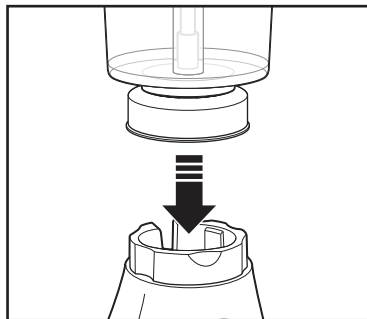
Using Processor Bowl Attachment – Chopping/Mixing Blade

⚠ WARNING Laceration Hazard.
Handle blade carefully; it is very sharp.
Make sure unit is turned OFF (●) and is unplugged.

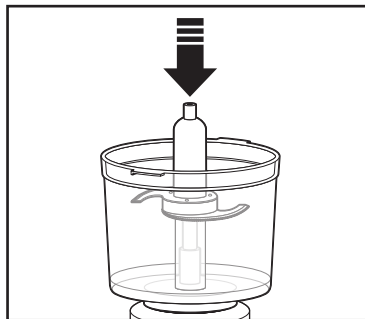
Always wait until blade has stopped moving before removing lid.



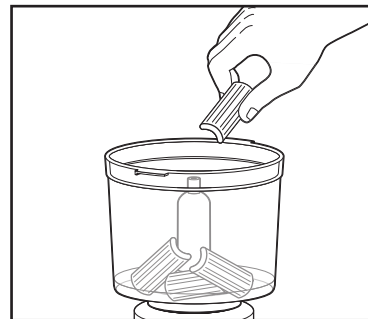
1. Secure collar on motor shaft.



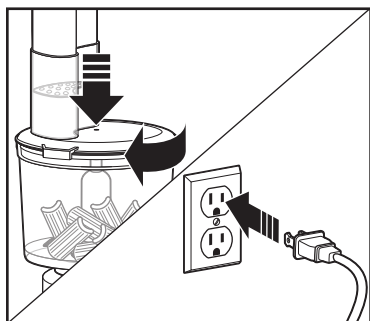
2. Place bowl on base.



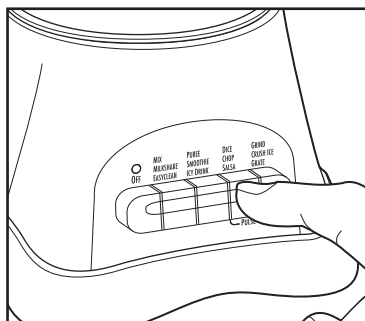
3. Carefully slide blade straight down onto the motor shaft.



4. Place food to be chopped/mixed in bowl.

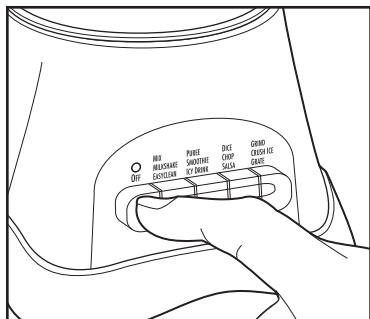


5. Rotate lid clockwise to secure on base. Place food pusher in the lid. Ensure unit is in OFF (●) position before plugging into outlet.

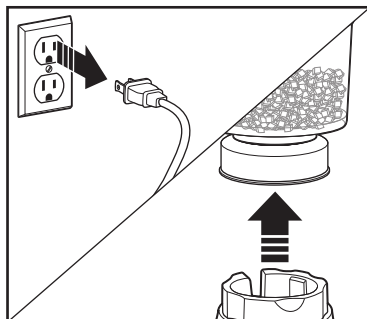


6. Push the desired speed button. When using the PULSE buttons, the blender will only run when the button is held down. Hold jar in place while processing.

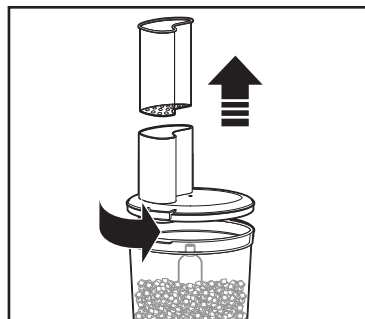
Using Processor Bowl Attachment – Chopping/Mixing Blade (cont.)



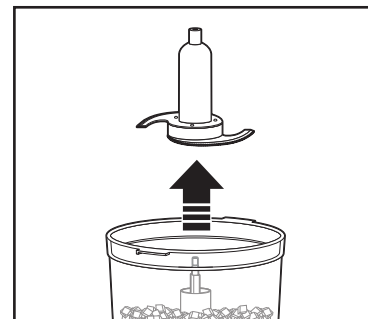
7. Press OFF (●) to turn off blender.



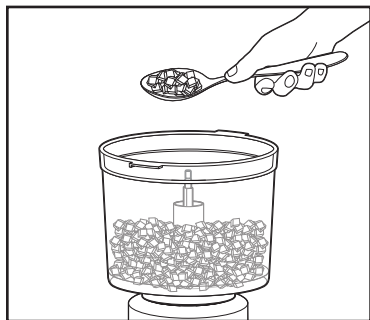
8. Unplug. Remove bowl from base.



9. Remove lid.



10. Carefully remove blade from motor shaft.



11. Scoop food out of bowl.

⚠ WARNING

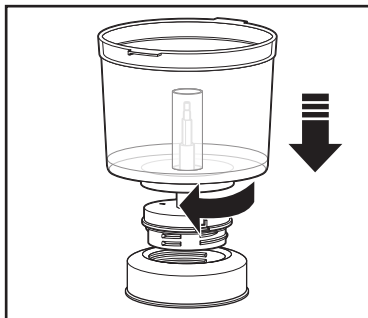
Laceration Hazard.

Always use food pusher to feed food into the chute. Never push food through chute with fingers or other objects.

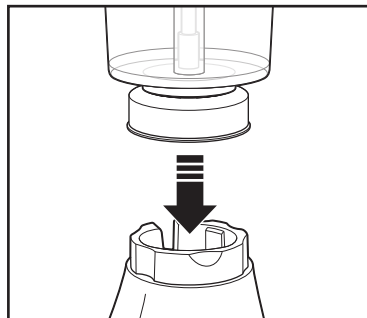
Using Food Processor Attachment – Slicing/Shredding Disc

⚠ WARNING Laceration Hazard.

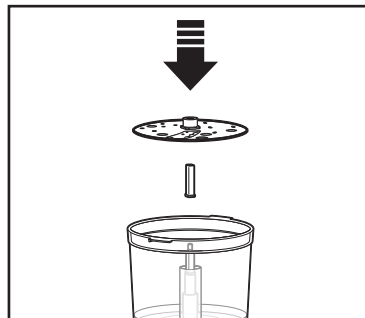
Handle blade carefully; it is very sharp. Make sure unit is turned OFF (●) and is unplugged. Always wait until blade has stopped moving before removing lid.



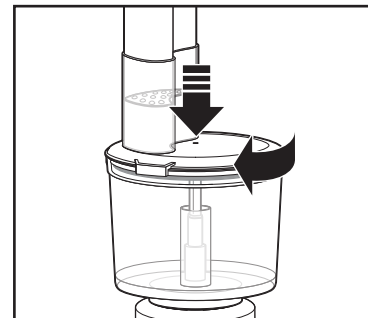
1. Secure collar on motor shaft.



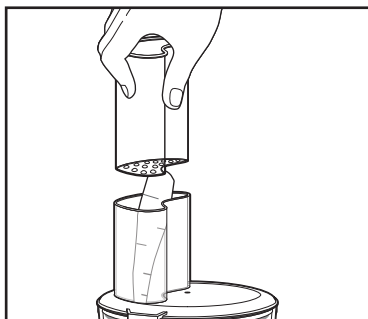
2. Place bowl on base.



3. Make sure to place adapter on motor shaft before placing the slicing/shredding disc into the bowl. **NOTE:** The adapter will need to be turned over to use the other side of the disc.



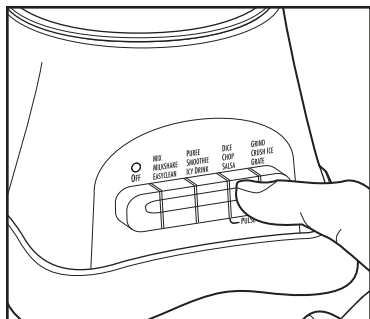
4. Rotate lid clockwise to secure on base. Ensure unit is in OFF (●) position before plugging into outlet.



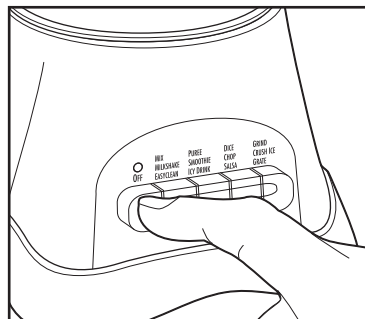
5. **⚠ WARNING Laceration Hazard.**

Always use food pusher to feed food into the chute. Never push food through chute with fingers or other objects.

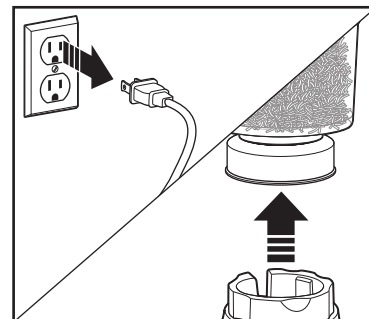
Using Food Processor Attachment – Slicing/Shredding Disc (cont.)



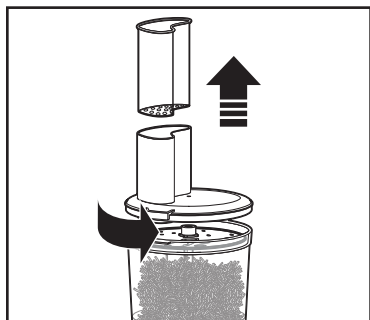
6. Push the desired speed button. When using the PULSE buttons, the blender will only run when the button is held down. Hold jar in place while processing.



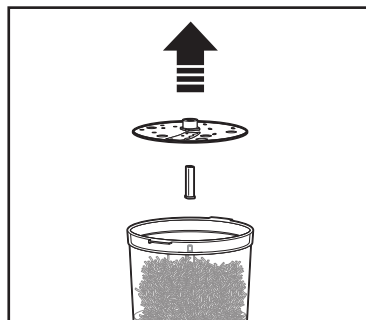
7. Press OFF (O) to turn off blender.



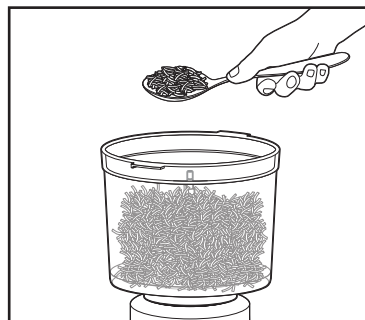
8. Unplug. Remove bowl from base.



9. Remove lid.



10. Carefully remove disc and adapter from motor shaft.



11. Scoop food out of bowl.

⚠ WARNING

Laceration Hazard.

Always use food pusher to feed food into the chute. Never push food through chute with fingers or other objects.

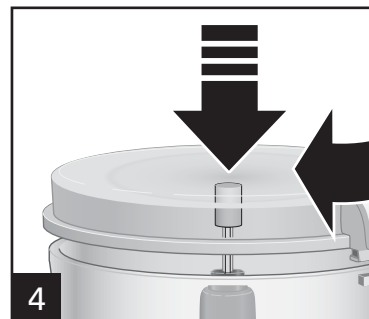
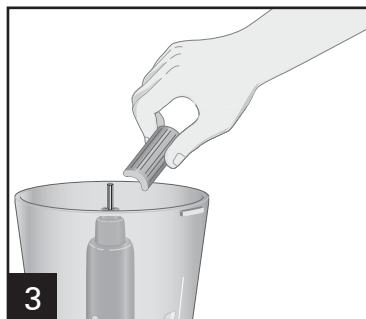
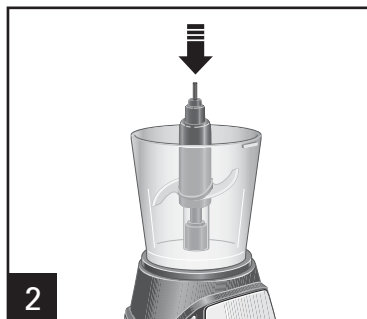
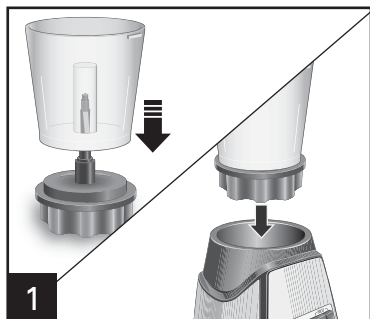
Using Food Chopper Attachment

(Optional Accessory on Select Models)

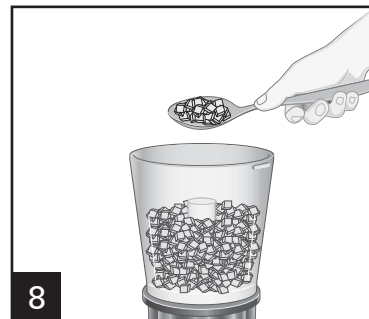
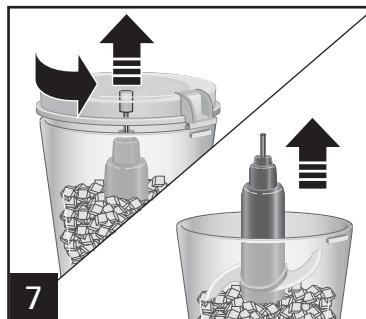
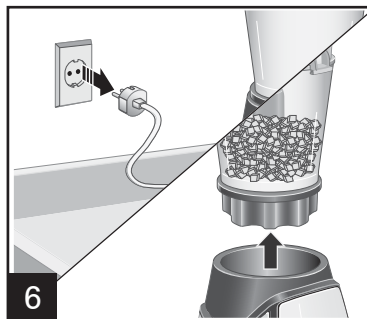
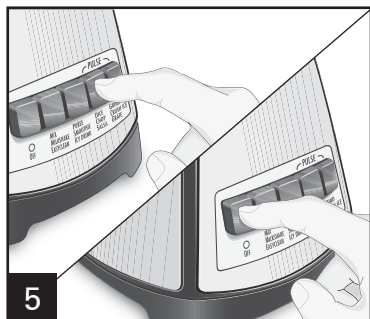
⚠ WARNING Cut Hazard.

Ensure unit is off and unplugged before attaching food chopper attachment. Do not plug in and turn on until lid is in position and locked on top of food chopper bowl.

Always turn off, unplug, and allow blade to stop spinning before opening lid.



Ensure unit is in off position before plugging into outlet.



Tips and Techniques

- For a more uniform consistency, start with pieces of food that are similar in size. Cut food into 1-inch (2.5-cm) pieces before processing with chopping/mixing blade.
- This food processor is excellent to chop, mix, slice, or shred most foods. However, to maintain peak performance, do not use your food processor for the following: grinding grain, coffee beans, or spices; slicing frozen meats; kneading dough; or crushing ice.
- When chopping foods, pulsing on and off will produce the best results.
- Operating time will depend on quantity of food being processed. Most foods can be sliced, chopped, or shredded in seconds. If unit is operated continuously for an extended period of time, let the processor rest about 4 minutes before continuing.
- Do not puree or mash starchy vegetables like potatoes as they are easily overprocessed and will become gummy.
- To slice or shred cheese, use only firm cheese like cheddar, Monterey Jack, or Swiss that has been chilled for at least 30 minutes.
- The reversible slicing/shredding disc has a slicing blade on one side and shredding teeth on the other side. The name engraved on the blade, facing up, is the function selected. For slicing, the word "SLICE" should face up; for shredding, the word "SHRED" should face up. Place on motor shaft with desired cutting edge facing up.
- To julienne vegetables, slice, remove from bowl, and restack the vegetables. Pack into food chute with slices vertical. Slice again to make matchstick-cut vegetables.

Food Processing Charts

Disc attachment is reversible and labeled. The label should face up for the desired function. When using disc attachment, do not process past the MAX LEVEL on the bowl.

ATTACHMENT	FOODS
Chopping/Mixing Blade	Chop: Nuts, meat, garlic, onions, peppers, celery, herbs, bread (for crumbs), crackers Mince/Puree: Vegetables, fruit Mix: Salad dressings Puree: Soups, sauces Grate: Cheese, such as Parmesan (chilled)
Slicing Disc	Cucumbers, apples, mushrooms, carrots, potatoes, cabbage, tomatoes, pepperoni, peppers, radishes, firm cheeses (chilled)
Shredding Disc	Cabbage, potatoes, carrots, cheese (chilled)

For best results, do not exceed the following amounts when chopping, mincing, or pureeing with the chopping/mixing blade.

Recipes

Mango Pineapple Salsa

Ingredients:

- 2 cups (473 ml) chopped fresh pineapple
- 1 orange, peeled and chopped
- 1 cup (237 ml) chopped fresh mango
- 1/2 cup (118 ml) chopped red pepper
- 1/2 cup (118 ml) pineapple juice
- 1/4 cup (59 ml) chopped fresh cilantro
- 1/4 cup (59 ml) chopped onion
- 3 tablespoons (44 ml) apple cider vinegar
- 1/2 teaspoon (2.5 ml) salt
- 1/4 teaspoon (1.3 ml) black pepper

Directions:

1. Stir pineapple, orange, mango, red pepper, pineapple juice, cilantro, onion, cider vinegar, salt and pepper in a large bowl.
2. Cover with plastic wrap and refrigerate until ready to serve.

Serves: 6 to 8

Curried Cheese Ball

Ingredients:

- 1 package (8 oz. [227 g]) cream cheese, softened
- 1/2 cup (118 ml) finely shredded Colby and Monterey jack cheese
- 2 tablespoons (30 ml) chopped chives
- 2 tablespoons (30 ml) Major Grey's chutney
- 1 tablespoon (15 ml) curry powder
- 1/2 cup (118 ml) chopped lightly salted dry-roasted peanuts
- 1/4 cup (59 ml) cilantro, chopped

Directions:

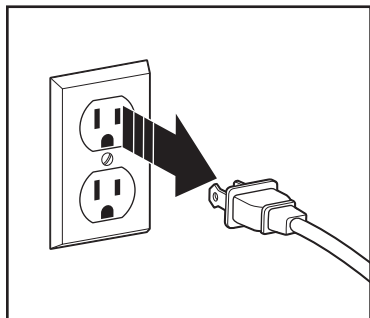
1. Mix cream cheese, shredded cheese, chives, chutney and curry powder in small bowl until well blended.
2. Cover and refrigerate several hours.
3. Stir peanuts and cilantro together in a small bowl. Place cream cheese mixture on a sheet of plastic wrap or waxed paper and roll into a ball.
4. Sprinkle peanut mixture over cream cheese; roll to coat entire ball.
5. Cover and refrigerate several hours for flavors to blend. Serve with crackers.

Serves: 20 to 22

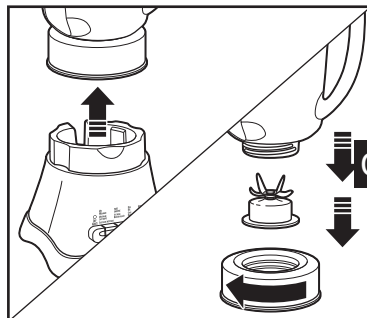
Cleaning Your Blender

⚠ WARNING Electrical Shock Hazard.

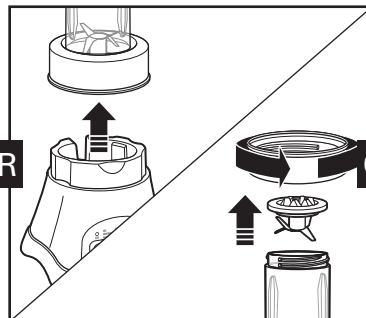
Disconnect power before cleaning. Do not immerse cord, plug, base, or motor in water or other liquid.



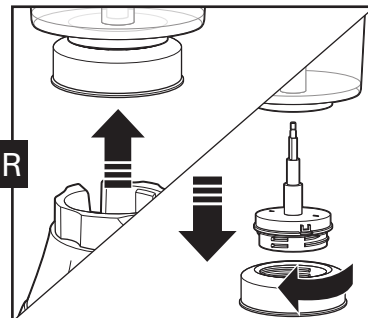
1. Unplug.



2. Remove blender jar from base. Rotate the collar clockwise until the collar and cutting blade assembly come apart from the blender jar.

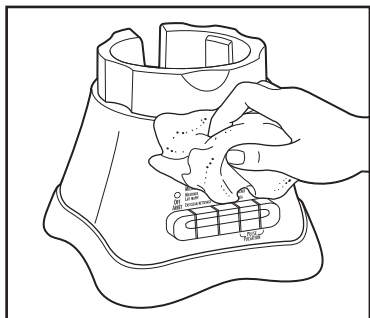


3. Remove travel jar from base. Rotate the collar counterclockwise until the collar and cutting blade assembly come apart from the travel jar.

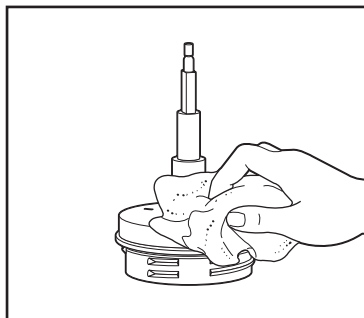


4. Remove bowl from base. Rotate the collar clockwise until the collar and motor shaft come apart from the bowl.

Cleaning Your Blender (cont.)



5. Wipe blender base, control panel, and cord with a damp cloth or sponge. To remove stubborn spots, use a mild, nonabrasive cleanser.



6. Wipe motor shaft with a damp cloth or sponge.



7. DO NOT use the "SANI" setting when washing in the dishwasher. "SANI" cycle temperatures could damage your product. Parts may also be washed with hot, soapy water. Care should be taken when handling the cutting blade assembly, chopping/mixing blade, and slicing/shredding disc since they are very sharp. Rinse and dry thoroughly. Do not soak.

EASY CLEAN

FOR BLENDER JAR: Pour 2 cups (473 ml) warm water in jar and add 1 drop liquid dishwashing detergent. Run the blender on EASYCLEAN for 10 seconds. Discard soapy water. Rinse with clean water.

This function is not a substitute for regular cleaning as instructed in "Cleaning Your Blender." This function should never be used when blending any mixture containing eggs, milk, or any other dairy products, meats, or seafood.

The Easy Clean function should only be used to rinse the blender between batches of processing the same food. When the processing of a single type of food is finished, the blender should be disassembled and thoroughly cleaned as instructed in "Cleaning Your Blender."

FOR TRAVEL JAR: Pour 1 cup (237 ml) warm water in jar and add 1 drop liquid dishwashing detergent. Run the blender on EASYCLEAN for 10 seconds. Discard soapy water. Rinse with clean water.

Notes

Limited Warranty

This warranty applies to products purchased and used in the U.S. and Canada. This is the only express warranty for this product and is in lieu of any other warranty or condition.

This product is warranted to be free from defects in material and workmanship for a period of five (5) years from the date of original purchase in Canada and three (3) years from the date of original purchase in the U.S. During this period, your exclusive remedy is repair or replacement of this product or any component found to be defective, at our option; however, you are responsible for all costs associated with returning the product to us and our returning a product or component under this warranty to you. If the product or component is no longer available, we will replace with a similar one of equal or greater value.

This warranty does not cover glass, filters, wear from normal use, use not in conformity with the printed directions, or damage to the product resulting from accident, alteration, abuse, or misuse. This warranty extends only to the original consumer purchaser or gift recipient. Keep the original sales receipt, as proof of purchase is required to make a warranty claim. This warranty is void if the product is used for other than single-family household use or subjected to any voltage and waveform other than as specified on the rating label (e.g., 120V ~ 60 Hz).

We exclude all claims for special, incidental, and consequential damages caused by breach of express or implied warranty. All liability is limited to the amount of the purchase price. **Every implied warranty, including any statutory warranty or condition of merchantability or fitness for a particular purpose, is disclaimed except to the extent prohibited by law, in which case such warranty or condition is limited to the duration of this written warranty.** This warranty gives you specific legal rights. You may have other legal rights that vary depending on where you live. Some states or provinces do not allow limitations on implied warranties or special, incidental, or consequential damages, so the foregoing limitations may not apply to you.

To make a warranty claim, do not return this appliance to the store. Please call 1.800.851.8900 in the U.S. or 1.800.267.2826 in Canada or visit hamiltonbeach.com in the U.S. or hamiltonbeach.ca in Canada. For faster service, locate the model, type, and series numbers on your appliance.

PRÉCAUTIONS IMPORTANTES

Pour utiliser un appareil électroménager, vous devez toujours prendre des mesures élémentaires de sécurité pour réduire le risque d'incendie, d'électrocution et/ou de blessure corporelle, en particulier les mesures suivantes :

1. Lire toutes les instructions.
2. Cet appareil n'est pas destiné à être utilisé par des personnes (y compris les enfants) dont les capacités physiques, sensorielles ou mentales sont réduites, ou manquant d'expérience et de connaissance, sauf si elles sont étroitement surveillées et instruites sur l'utilisation de l'appareil par une personne responsable de leur sécurité.
3. Une surveillance étroite est requise pour tout appareil utilisé près des enfants. Surveiller que les enfants ne jouent pas avec l'appareil.
4. Cet appareil ne doit pas être utilisé par des enfants. Maintenir cet appareil et son cordon hors de la portée des enfants.
5. Pour éviter les risques d'électrocution, ne pas immerger le cordon, la fiche, la base ou le moteur dans l'eau ou tout autre liquide.
6. Débrancher le cordon de la prise dès la fin de l'utilisation, avant d'installer ou de retirer des pièces et avant le nettoyage.
7. Éviter de toucher les parties mobiles.
8. Ne pas faire fonctionner un appareil électroménager avec un cordon ou une fiche endommagée, ou lorsque l'appareil ne fonctionne pas bien ou a été échappé ou endommagé d'une manière quelconque. Le remplacement et la réparation du cordon d'alimentation doivent être faits par le fabricant, son agent de service ou toute personne qualifiée de façon à éviter tout danger. Appeler le numéro de service à la clientèle fourni pour des renseignements concernant l'examen, la réparation ou l'ajustement.
9. L'utilisation d'accessoires non recommandés par le fabricant ou vendus par le fabricant de l'appareil, incluant les boîtes de conserve, peut provoquer des blessures.
10. Ne pas utiliser à l'extérieur.
11. Ne pas laisser pendre le cordon de la table ou du comptoir et éviter tout contact entre le cordon et les surfaces chaudes incluant la cuisinière.
12. Tenir les mains et les ustensiles hors du récipient de mélangeur pendant le fonctionnement pour réduire les risques de blessures ou de dommages à l'appareil. Un racloir en caoutchouc peut être utilisé, mais uniquement lorsque le moteur de l'appareil est arrêté.
13. Les caractéristiques de cet appareil polyvalent sont basées sur l'pot de mélangeur nécessitant la plus grande demande énergétique alors que les autres accessoires recommandés peuvent être moins énergivores.
14. Les lames sont tranchantes ; manipuler avec soin lors de l'assemblage et du démontage ou lors du nettoyage.
15. Ne pas utiliser un récipient de mélangeur brisé, craqué ou fissuré.
16. Ne pas utiliser des lames brisées, fissurées ou lâches.
17. Pour éviter les risques de blessure, ne jamais placer les lames sans avoir correctement avoir sécurisé le récipient de mélangeur sur la base.
18. Toujours installer le couvercle avant de faire fonctionner l'appareil.
19. Lors du mélange de liquides chauds dans le récipient du mélangeur, ouvrir l'évent du couvercle et fermer l'ouverture du couvercle destinée à verser. Pour prévenir les brûlures : Ne pas remplir au-delà de la marque 3 tasses (710 ml) du récipient. Les liquides chauds peuvent pousser sur le couvercle pendant le mélange. À l'aide d'un gant de cuisinier ou d'une serviette épaisse, placer une main sur le dessus du couvercle. Garder la peau exposée éloignée du couvercle. Commencer à mélanger en utilisant la vitesse minimale.
20. Ne pas mélanger de liquides chauds dans la tasse de voyage.

21. Serrer et sécuriser le collier de la base du récipient et de la tasse de voyage. Des risques de blessures peuvent survenir si les lames en mouvement sont accidentellement exposées.
22. Si le récipient bouge ou tourne pendant que le moteur est en marche, mettre immédiatement le mélangeur hors tension (OFF/O) puis serrer le collier au mélangeur ou à la base du mélangeur.
23. Ne pas laisser le mélangeur sans surveillance pendant le fonctionnement.
24. Avant de brancher la fiche dans la prise, tourner la commande à OFF (O/ARRÊT). Débrancher le cordon et tourner la commande à OFF (O/ARRÊT). Retirer ensuite la fiche de la prise murale.
25. Le temps de fonctionnement ne doit pas dépasser 3 minutes, peu importe l'accessoire ou le réglage de vitesse.
26. Faire preuve de prudence si un liquide chaud est versé dans le robot culinaire ou le mélangeur, car il pourrait être éjecté hors de l'appareil en raison d'une vapeur inespérée.
27. Ne placer jamais votre appareil électroménager à proximité ou sur un brûleur électrique ou à gaz chaud ou dans un four chaud.
28. N'utiliser cet appareil que pour les fonctions auxquelles il est destiné.
29. Afin de réduire les risques de blessures corporelles et/ou de dommages graves au robot culinaire, tenir les mains et les ustensiles éloignés de la lame à hacher/mélanger mobile et du disque à trancher/râper mobile lors de l'utilisation de l'appareil. Un racloir en plastique peut être utilisé, mais UNIQUEMENT pendant l'arrêt du robot culinaire ou hachoir.
30. La lame à hacher/mélanger et le disque à trancher/râper sont coupants. Manipuler avec soins. Ranger hors de la portée des enfants.
31. Pour réduire le risque de blessure, ne jamais installer la lame à hacher/mélanger ou le disque à trancher/râper sur l'arbre du moteur du robot sans que bol y soit correctement raccordé.
32. S'assurer que le couvercle du robot ou hachoir est solidement verrouillé en place avant de l'utiliser.
33. Ne jamais introduire d'aliments dans l'entonnoir avec les mains. Toujours utiliser les poussoirs.
34. Ne pas tenter d'outrepasser le mécanisme de verrouillage du couvercle du robot ou hachoir.
35. S'assurer que la lame à hacher/mélanger et le disque à trancher/râper se sont complètement arrêtés avant de retirer le couvercle du robot ou hachoir.
36. Ne jamais prolonger le temps de fonctionnement de cet appareil ou utiliser des quantités d'aliments supérieures aux recommandations du fabricant. Voir le chapitre « Tableaux de transformation des aliments ».
37. **MISE EN GARDE** : Afin d'éviter un danger découlant d'une réinitialisation accidentelle du rupteur thermique, se dispositif ne doit pas être alimenté par l'entremise d'un appareil de connexion externe, comme une minuterie, ou connecté à un circuit qui est régulièrement mis sous et hors tension par le service public.

CONSERVER CES INSTRUCTIONS

Autres consignes de sécurité pour le consommateur

Cet appareil est destiné à un usage domestique uniquement.

Utiliser seulement pour les aliments et les liquides.

⚠ AVERTISSEMENT Risque de choc électrique : Cet appareil est fourni avec une fiche polarisée (une broche large) pour réduire le risque d'électrocution. Cette fiche n'entre que dans un seul sens dans une prise polarisée. Ne contrecarrez pas l'objectif sécuritaire de cette fiche en la modifiant de quelque manière que ce soit ou en utilisant un adaptateur. Si vous ne pouvez pas insérer complètement la fiche dans la prise, inversez la fiche. Si elle refuse toujours de s'insérer, faire remplacer la prise par un électricien.

La longueur du cordon installé sur cet appareil a été sélectionnée afin de réduire les risques d'enchevêtrement ou de faux pas causés par un fil trop long. L'utilisation d'une rallonge approuvée est permise si le cordon est trop court. Les caractéristiques électriques de la rallonge doivent être équivalentes ou supérieures aux caractéristiques de l'appareil. Prendre toutes les précautions nécessaires pour installer la rallonge de manière à ne pas la faire courir sur le comptoir ou sur une table pour éviter qu'un enfant ne tire sur le cordon ou trébuche accidentellement.

L'assemblage des lames qui se bloquent ou refusent de bouger peuvent endommager le moteur. Ne pas utiliser. Appeler la ligne sans frais du Service à la clientèle pour plus d'informations.

Ne pas stocker le récipient du mélangeur au congélateur s'il contient des aliments ou du liquide. Ceci pourrait endommager l'assemblage des lames, le récipient, le mélangeur et éventuellement, occasionner des blessures.

Information au sujet de la tension et de la puissance maximale

La puissance et l'intensité nominales du mélangeur sont déterminées par un essai du Underwriters laboratories basé sur des combinaisons de lames, de récipient et des accessoires pouvant ne pas être offerts pour votre appareil, mais offertes comme pièces de rechange. Ceci est une mesure d'entrée de tension et d'intensité suite à un fonctionnement d'une durée de 30 secondes.

La puissance maximale est la mesure de la puissance restituée du moteur au cours des premières secondes de fonctionnement. Ceci représente la puissance maximale requise par votre mélangeur pour piler la glace, les fruits congelés, etc. Ceci est une mesure plus juste du moteur du mélangeur lors de sa demande énergétique maximale.

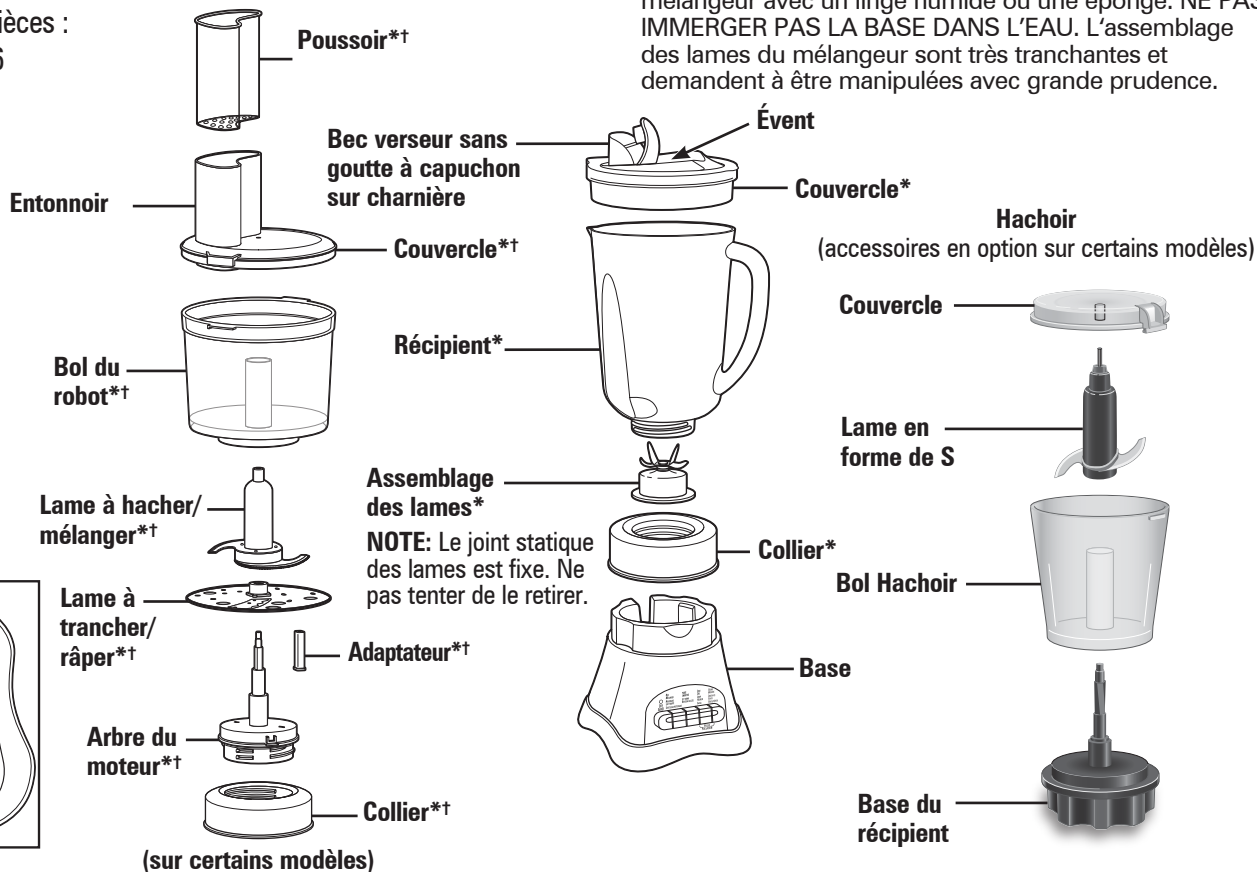
AVANT LA PREMIÈRE UTILISATION : Après avoir déballé le mélangeur, laver tout le mélangeur à l'exception de la base dans l'eau chaude savonneuse. Assécher complètement. Essuyer la base du mélangeur avec un linge humide ou une éponge. **NE PAS IMMERGER PAS LA BASE DANS L'EAU.** L'assemblage des lames du mélangeur sont très tranchantes et demandent à être manipulées avec grande prudence.

Pièces et caractéristiques

*Pour commander des pièces :
Canada : 1.800.267.2826

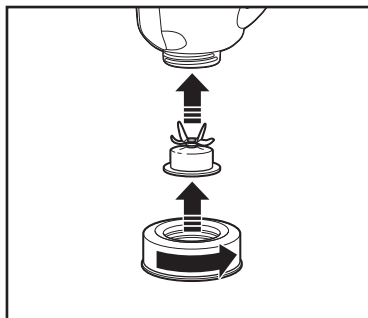
†Accessoire en option
sur certains modèles

AVANT LA PREMIÈRE UTILISATION : Laver tout le mélangeur à l'exception de la base dans l'eau chaude savonneuse. Assécher complètement. Essuyer la base du mélangeur avec un linge humide ou une éponge. **NE PAS IMMERGER PAS LA BASE DANS L'EAU**. L'assemblage des lames du mélangeur sont très tranchantes et demandent à être manipulées avec grande prudence.

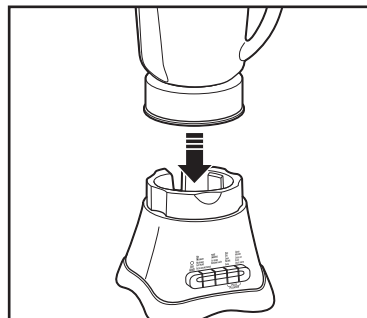


Utilisation de votre mélangeur

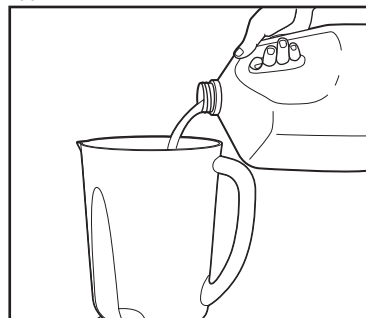
IMPORTANT : Le récipient et l'assemblage des lames du mélangeur peuvent s'user au cours de l'utilisation normale. Inspecter toujours le récipient à la recherche d'entailles, d'écaillures ou de fissures. Inspecter toujours l'assemblage des lames à la recherche de brisures, fissures ou de relâchement. Ne pas utiliser un récipient ou un assemblage de lame endommagé. Appeler le numéro sans frais du Service à la clientèle pour obtenir des pièces de rechange.



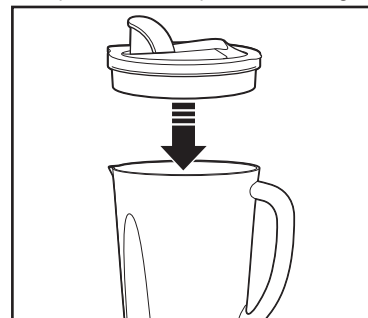
1. Tourner le collier dans le sens antihoraire jusqu'à ce qu'il soit bien serré.



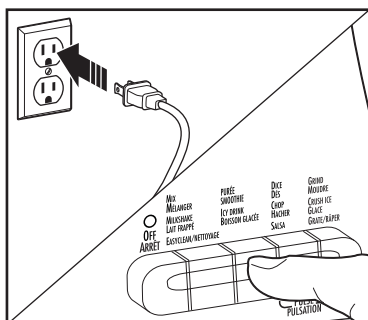
2. Placer le récipient du mélangeur sur la base.



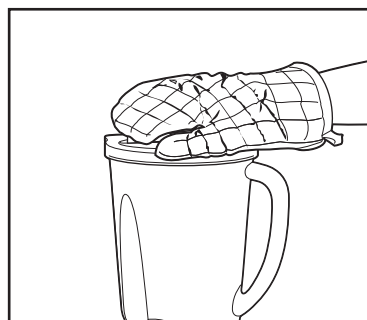
3. Verser les ingrédients dans le récipient.



4. Placer le couvercle sur le récipient.



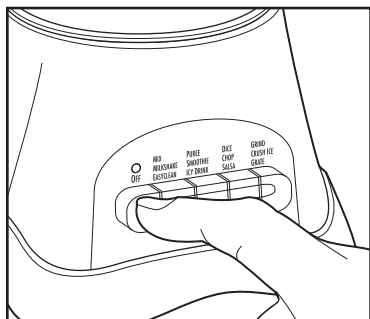
5. Brancher dans la prise. Appuyer sur le bouton de vitesse désiré. Lors de l'utilisation du bouton par impulsion, le mélangeur ne fonctionne que pendant que le bouton est enfoncé.



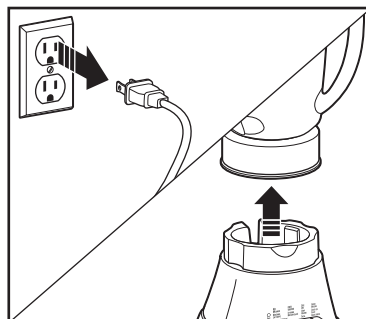
6. Maintenir le récipient en place pendant le mélange.

⚠ AVERTISSEMENT **Risque de brûlures.** Lors du mélange de liquides très chauds, ouvrir l'évent du couvercle et fermer l'ouverture du couvercle destinée à verser. Les liquides chauds peuvent pousser sur le couvercle pendant le mélange. Ne pas remplir au-delà de la marque 3 tasses (710 ml) du récipient. À l'aide d'un gant de cuisinier ou d'une serviette épaisse, placer une main sur le dessus du couvercle. Garder la peau exposée éloignée du couvercle. Commencer à mélanger en utilisant la vitesse minimale.

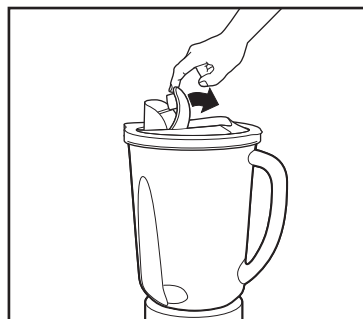
Utilisation de votre mélangeur (suite)



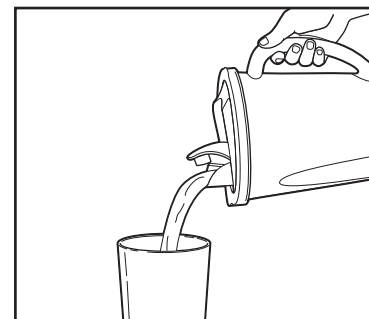
7. Appuyer sur OFF (●/arrêt) pour éteindre le mélangeur.



8. Débrancher. Retirer le récipient du mélangeur de la base.



9. Ouvrir le bec verseur.



10. Verser le mélange dans le récipient.

Conseils

- Pour ajouter des aliments pendant le fonctionnement du mélangeur, retirer le bouchon de remplissage du couvercle du récipient et ajouter les ingrédients par l'ouverture.
- Une recette contenant une quantité minimale de 8 oz (237 ml) est nécessaire pour un rendement optimal. Ajouter du liquide si les aliments ne se mélangent pas correctement.
- Si le processus de mélange cesse pendant le fonctionnement ou que les ingrédients collent aux parois du récipient, il faudra peut-être ajouter du liquide dans le récipient pour obtenir un mélange efficace.
- Ne pas tenter de piler les pommes de terre, les mélanges de pâtes massives, fouetter des blancs d'œufs, broyer de la viande crue ou d'extraire des jus de fruits et de légumes.
- Ne pas stocker d'aliments ou de liquides dans le récipient du mélangeur.
- Éviter de frapper ou échapper le mélangeur pendant son fonctionnement, et ce, en tout temps.

Utilisation de la tasse de voyage

⚠ AVERTISSEMENT

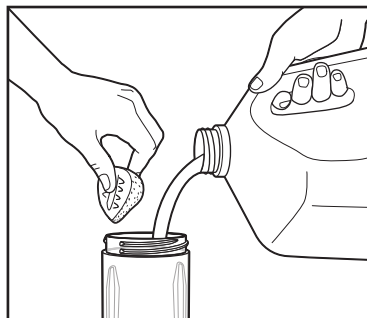
Risque de brûlures.

Ne pas mélanger d'ingrédients chauds. La pression provoquée par la chaleur peut provoquer l'éclatement du couvercle et répandre les ingrédients chauds.

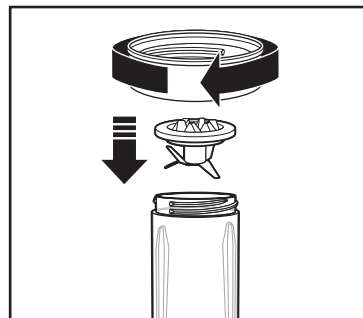
⚠ AVERTISSEMENT

Risque de déchirures.

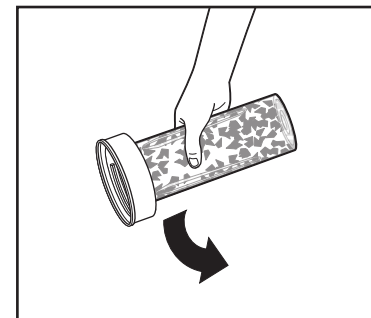
Tenir les lames avec soins ; ils sont très coupantes. S'assurer que l'appareil est hors tension (OFF/O) et débranché.



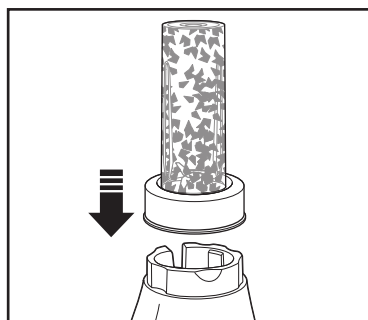
1. Verser les ingrédients dans la tasse de voyage.



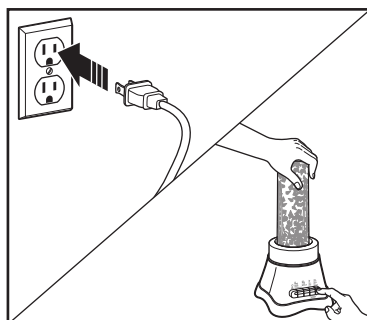
2. Installer soigneusement l'assemblage de lame et le collier sur la tasse de voyage.



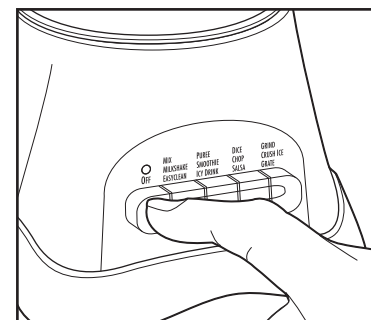
3. Retourner le récipient de voyage à l'envers et mélanger les ingrédients en remuant.



4. Installer sur la base.

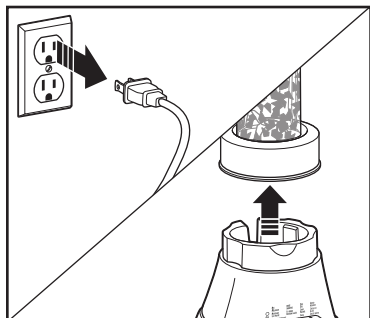


5. Brancher dans la prise. Appuyer sur le bouton de vitesse désiré. Lors de l'utilisation du bouton PULSE (impulsion), le mélangeur ne fonctionne que pendant que le bouton est enfoncé. Maintenir le récipient en place pendant le mélange.



6. Appuyer sur OFF (O/arrêt) pour éteindre le mélangeur.

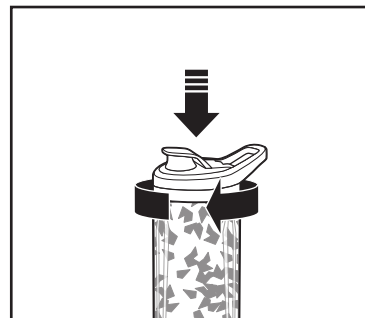
Utilisation de la tasse de voyage (suite)



7. Débrancher. Retirer la tasse de voyage de la base.



8. Retourner à la verticale, retirer le collier et l'assemblage des lames.



9. Serrer manuellement le couvercle sur la tasse de voyage.

Conseils

- Éteindre (●) le mélangeur si l'action de mélange ne démarre pas, s'arrête pendant le mélange ou si les ingrédients collent aux parois du récipient du mélangeur. Retirer le récipient, remuer le contenu puis continuer le mélange.
- Pour un meilleur résultat dans la tasse de voyage de 20 oz, la quantité minimale de liquide nécessaire par recette est de 3/4 tasse (6 oz/177 ml).
- Au moment de remplir le récipient, y déposer les ingrédients congelés ou la glace en premier. Les ingrédients congelés se retrouveront sur les dessus lorsque le récipient sera inversé.
- Ne hacher ni ne mélanger des aliments durs comme le fromage, les craquelins ou la viande.
- Éviter de heurter ou échapper le mélangeur.
- Ne pas mélanger de liquides chauds dans la tasse de voyage.
- Ne pas remplir la tasse de voyage au-delà de la ligne MAX.

Recettes pour boissons avec le récipient

SORTE DE BOISSON	INGRÉDIENTS	PORTIONS	RÉGLAGE/DURÉE DU MÉLANGE
Frappé aux fruits	1 tasse (237 ml) de lait 1 1/2 tasses (355 ml) de yogourt 2 tasses (473 ml) de baies/fruits congelés Sucre au goût (facultatif)	3 à 4 (donne 4 tasses [946 ml])	Régler « SMOOTHIE » pour 45 secondes ou jusqu'à ce que le mélange atteigne la consistance désirée.
Lait frappé	1 1/2 tasses (355 ml) de lait 2 grosses cuillères pleines de crème glacée 2 à 3 cuillères à soupe (15 à 44 ml) de sirop aromatisé	2 à 3 (donne 3 tasses [710 ml])	Régler à « MILKSHAKE » pendant 5 à 10 secondes ou à basse vitesse (LOW) jusqu'à ce que le mélange atteigne la consistance désirée.
Boisson congelée	1 tasse (237 ml) de mélange pour boisson comme un mélange pour pina colada 10 cubes de glace	2 (donne 2 tasses [473 ml])	Régler à « ICY DRINK » pendant 45 secondes ou 5 fois sur « PULSE » puis mélanger à haute vitesse (HIGH) pendant 45 secondes ou jusqu'à ce que le mélange atteigne la consistance désirée.

CONSEILS POUR DE MEILLEURS RESULTANTS :

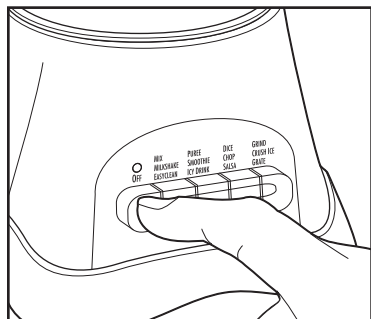
- Toujours déposer le liquide dans le récipient en premier ; verser ensuite les autres ingrédients.
- Si la glace ou les morceaux de fruits ne se mélangent pas, arrêter le mélangeur et appuyer sur PULSE (impulsion) à quelques reprises.
- Voir les conseils à la page 26.

Mélange de boissons avec le récipient du mélangeur

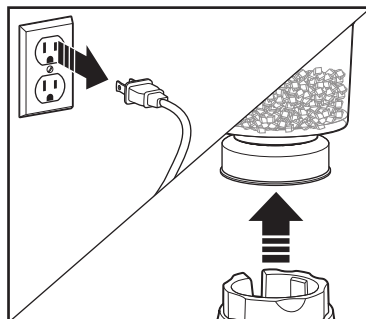
SORTE DE BOISSON	INGRÉDIENTS	PORTIONS	RÉGLAGE/DURÉE DU MÉLANGE
Jus entier	1/2 tasse (118 ml) de mangues ou d'ananas congelés 1 pleine poignée de feuilles de bébés épinards 1 tasse (237 ml) de raisins verts sans pépin	2 à 3 (donne 2–2 1/2 tasses [473 à 591 ml])	Ajouter les ingrédients dans le récipient dans l'ordre. Installer l'assemblage des lames sur le dessus du récipient et fixer le collier. Retourner le récipient et placer la main sur le dessus du récipient pour le maintenir en place. Régler sur SMOOTHIE et mélanger 30 secondes. Retirer le récipient du mélangeur. Remuer les ingrédients contenus dans le récipient et retourner puis continuer le mélange sur SMOOTHIE pendant 15 à 20 secondes. Retirer le collier et la lame et visser sur le couvercle à bec.
Frappé aux fruits	1 tasse (237 ml) de fraises congelées 1 grosse banane 1/4 tasse (59 ml) de yogourt grec à la vanille 3/4 tasse (177 ml) de jus d'ananas	2 à 3 (donne 2–2 1/2 tasses [473 à 591 ml])	Ajouter les ingrédients dans le récipient dans l'ordre. Installer l'assemblage de lames sur le dessus du récipient et fixer le collier. Retourner le récipient et placer la main sur le dessus du récipient pour le maintenir en place. Régler sur SMOOTHIE et mélanger 25 à 30 secondes. Retirer le collier et la lame et visser sur le couvercle à bec.
Lait frappé	3 cuillères de crème glacée, saveur au choix (cuillère # 16) 3/4 tasse (177 ml) de lait ou de lait de coco	2 à 3 (donne 2–2 1/2 tasses [473 à 591 ml])	Ajouter les ingrédients dans le récipient dans l'ordre. Installer l'assemblage des lames sur le dessus du récipient et fixer le collier. Retourner le récipient et placer la main sur le dessus du récipient pour le maintenir en place. Régler sur MILKSHAKE et mélanger 20 secondes. Retirer le collier et la lame et visser sur le couvercle à bec.

CONSEILS POUR DE MEILLEURS RESULTANTS : Voir les conseils à la page 28.

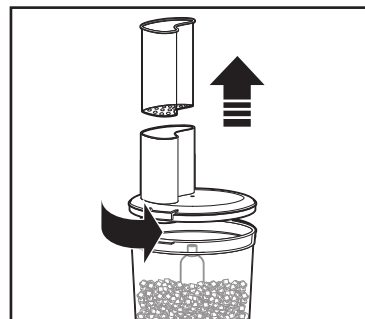
Utilisation d'accessoire du bol du robot – Lame à hacher/mélanger (suite)



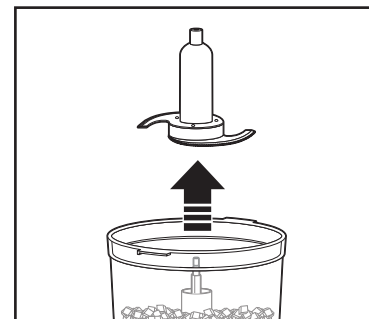
7. Appuyer sur OFF (○/arrêt) pour éteindre le mélangeur.



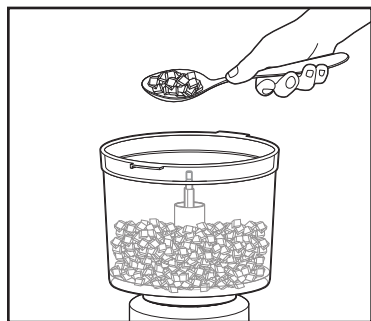
8. Débrancher. Retirer le bol de la base.



9. Retirer le couvercle.



10. Retirer soigneusement la lame de l'arbre du moteur.



11. Utiliser une cuillère pour déposer les aliments dans le bol.

⚠ AVERTISSEMENT

Risque de déchirures.

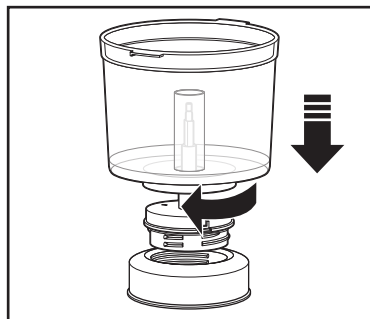
Toujours utiliser le poussoir pour introduire les aliments dans l'entonnoir. Ne jamais pousser les aliments dans l'entonnoir avec les doigts ou d'autres objets.

Utilisation d'accessoire du robot – Disque à trancher/râper

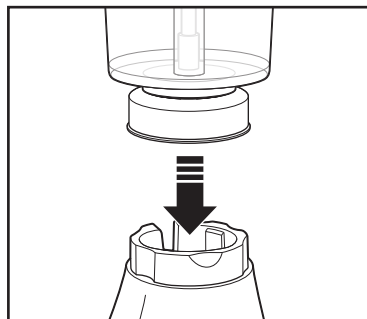
⚠ AVERTISSEMENT Risque de déchirures.

Tenir la lame avec soins; elle est très coupante. S'assurer que le bouton de commande est en position OFF (O/arrêt) et que l'appareil est débranché.

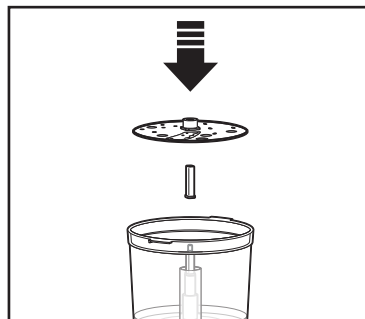
Attendre la fin de la rotation de la lame avant de retirer le couvercle.



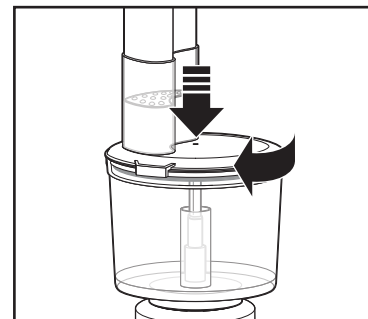
1. Insérer fermement le collier sur l'arbre du moteur.



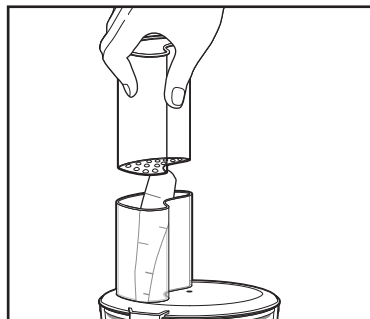
2. Mettre le bol sur la base.



3. S'assurer d'installer l'adaptateur sur l'arbre du moteur avant d'insérer le disque à trancher/râper dans le bol. **NOTE** : Il faut inverser l'adaptateur pour pouvoir utiliser l'autre côté opposé du disque.



4. Tourner le couvercle dans le sens horaire pour le verrouiller sur la base. S'assurer que le bouton de commande est en position OFF (O/arrêt) avant de brancher l'appareil.



5. ⚠ **AVERTISSEMENT** Risque de déchirures. Toujours utiliser le poussoir pour introduire les aliments dans l'entonnoir. Ne jamais pousser les aliments dans l'entonnoir avec les doigts ou d'autres objets.

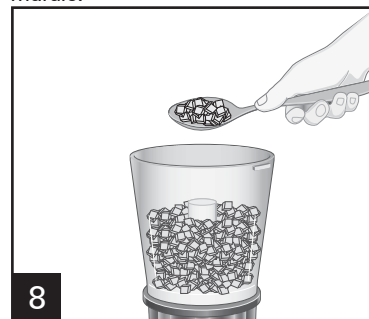
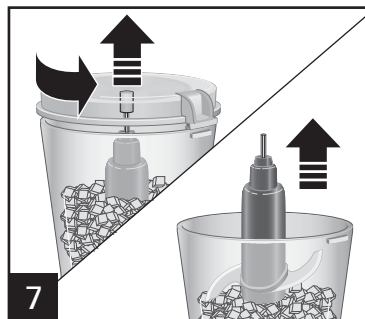
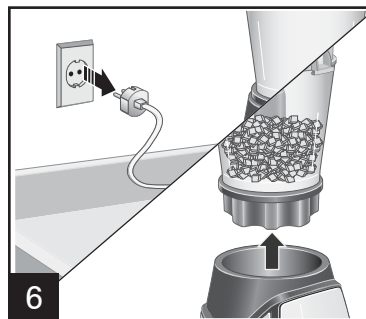
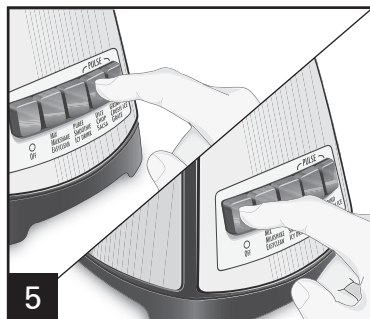
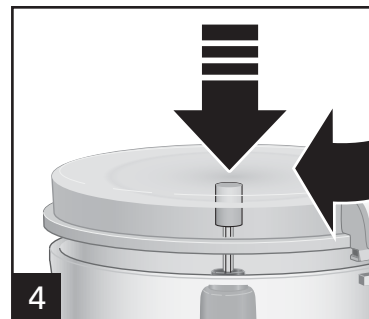
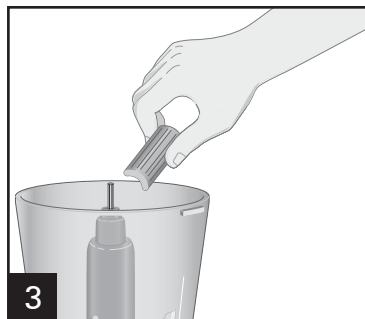
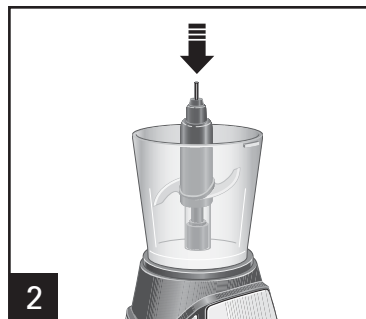
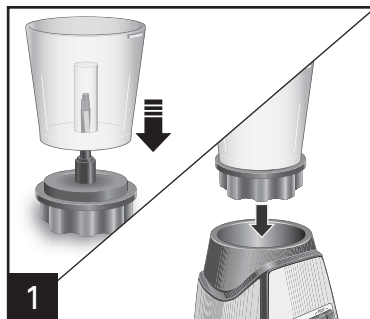
Utilisation du hachoir

(Accessoires en option sur certains modèles)

⚠ AVERTISSEMENT Risque de coupure.

S'assurer que l'appareil est hors tension et débranché avant d'installer le hachoir. Ne PAS brancher ou mettre l'appareil en marche sans avoir installé et verrouillé le couvercle du bol hachoir.

Toujours mettre l'appareil hors tension, le débrancher et attendre l'arrêt complet de la lame avant d'ouvrir le couvercle.



S'assurer que la commande de l'appareil est en position d'arrêt (OFF) avant brancher la fiche de la prise murale.

Conseils et méthodes

- Pour obtenir une consistance uniforme, commencer par les morceaux d'aliments de même taille. Couper les aliments en morceaux de 1 po (2,5 cm) avant de les transformer avec la lame à hacher/mélanger.
- Ce robot culinaire est idéal pour hacher, mélanger, trancher ou râper la plupart des aliments. Toutefois, pour maintenir une performance optimale, ne pas utiliser le robot culinaire pour exécuter les tâches suivantes : moulin des graines, grains de café ou épices, trancher de la viande congelée, pétrir la pâte, ou concasser de la glace.
- Pour hacher les aliments et obtenir des résultats optimaux, utiliser le mode d'impulsion en alternant la marche/arrêt.
- Le temps de fonctionnement dépend de la quantité d'aliments à transformer. La plupart des aliments peuvent être tranchés, hachés ou râpés en quelques secondes. Si l'appareil est utilisé pour une période de temps prolongée, laisser reposer le robot culinaire pendant 4 minutes approximativement avant de poursuivre.
- Ne pas mettre en purée ou piler des légumes comme les pommes de terre, car leur surtransformation est rapide et la texture deviendra collant.
- Pour trancher ou râper du fromage, choisir des fromages fermes comme le cheddar, Monterey Jack ou le suisse ayant été refroidi pendant au moins 30 minutes.
- Le disque à trancher/râper réversible possède un côté pour trancher et un côté avec des dents affûtées. Le nom gravé sur la lame, face vers le haut, indique la fonction choisie. Pour trancher, le mot « SLICE » doit être sur le dessus; pour râper, le mot « SHRED » doit être sur le dessus. Insérer sur l'arbre du moteur en positionnant le côté de coupe désiré vers le haut.
- Pour couper des légumes en julienne, trancher les légumes puis les retirer du récipient et les replacer. Remettre dans l'entonnoir en plaçant les tranches à la verticale. Trancher à nouveau pour obtenir des légumes coupés en julienne fine.

Tableaux de transformation des aliments

Le disque accessoire est réversible et identifiés. Cette étiquette doit se retrouver vers le HAUT pour obtenir la fonction désirée. Ne pas dépasser le niveau de remplissage maximal (MAX LEVEL) indiqué sur le récipient lors de l'utilisation de disque accessoire.

ACCESSOIRES

Lame à hacher/
mélanger

ALIMENTS

Couper en morceaux : les noix, la viande, l'ail, les oignons, les poivrons, le céleri, les fines herbes, le pain (pour des miettes) et des craquelins

Émincer/passer en purée : les légumes et les fruits

Mélanger : les vinaigrettes

Passer en purée : les soupes et les sauces

Râper : le fromage tel que le Parmesan (refroidi)

Disque à tranche

Les concombres, les pommes, les champignons, les carottes, les pommes de terre, le choi, les tomates, les saucissons, les poivrons, les radis, les fromages à pâte ferme (refroidis)

Disque à râper

Le choi, les pommes de terre, les carottes, le fromage (refroidi)

Pour des résultats optimaux, ne pas excéder les quantités suivantes pour hacher, émincer ou mettre en purée à l'aide de la lame en lame à hacher/mélanger.

Recettes

Salsa mangue-ananas

Ingrédients :

- 2 tasses (473 ml) d'ananas frais haché
- 1 orange pelée et hachée
- 1 tasse (237 ml) de mangue fraîche hachée
- 1/2 tasse (118 ml) de poivron rouge haché
- 1/2 tasse (118 ml) de jus d'ananas
- 1/4 de tasse (59 ml) de coriandre fraîche hachée
- 1/4 de tasse (59 ml) d'oignon haché
- 3 cuillères à table (44 ml) de vinaigre de cidre de pomme
- 1/2 cuillère à thé (2,5 ml) de sel
- 1/4 cuillère à thé (1,3 ml) de poivre noir

Instructions :

1. Dans un grand bol, mélanger l'ananas, l'orange, la mangue, le poivron rouge, le jus d'ananas, la coriandre, l'oignon, le vinaigre de cidre, le sel et le poivre.
2. Couvrir avec une pellicule plastique et réfrigérer jusqu'au moment de servir.

Servir : 6 à 8

Boule de fromage au cari

Ingrédients :

- 1 paquet (8 oz [227 g]) de fromage à la crème, ramolli
- 1/2 tasse (118 ml) de fromages Colby et Monterey finement râpés
- 2 cuillères à table (30 ml) de ciboulettes hachées
- 2 cuillères à table (30 ml) de chutney Major Grey's
- 1 cuillère à table (15 ml) poudre de cari
- 1/2 tasse (118 ml) d'arachides hachées, légèrement salées et grillées à sec
- 1/4 de tasse (59 ml) de coriandre, hachée

Instructions :

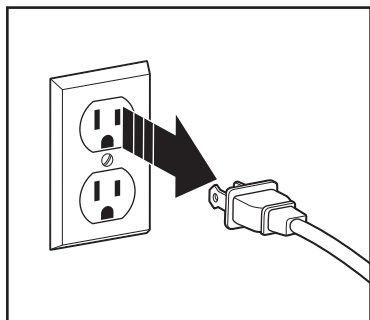
1. Dans un petit bol, mélanger le fromage à la crème, le fromage râpé, la ciboulette, le chutney et la poudre de cari jusqu'à ce que le tout soit bien mélangé.
2. Couvrir et réfrigérer pendant plusieurs heures.
3. Dans un petit bol, mélanger les arachides et la coriandre. Mettre le mélange de fromage à la crème sur un morceau de pellicule plastique ou un papier ciré et façonner une boule.
4. Saupoudrer le mélange d'arachides sur le fromage à la crème, faire rouler pour enduire toute la boule.
5. Couvrir et réfrigérer pendant plusieurs heures pour que les arômes s'amalgament. Servir avec des craquelins.

Servir : 20 à 22

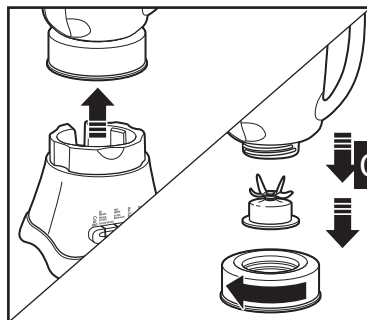
Nettoyage du mélangeur

⚠ AVERTISSEMENT Risque de choc électrique.

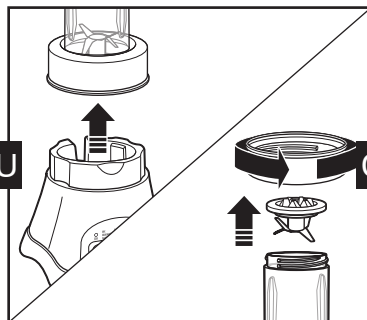
Débrancher le courant avant de nettoyer. N'immerger jamais le cordon, la fiche, la base ou le moteur dans l'eau ou tout autre liquide.



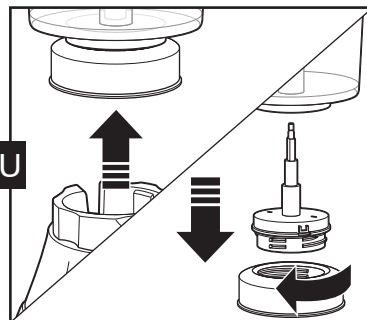
1. Débrancher.



2. Retirer le récipient du mélangeur de la base. Tourner le collier dans le sens horaire, jusqu'à ce que le collier et l'assemblage des lames se détache du récipient de mélangeur.

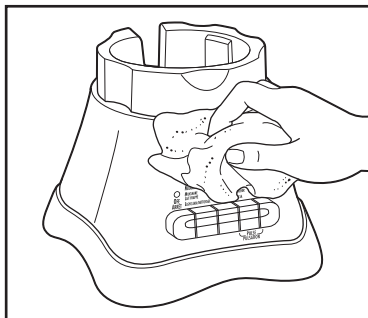


3. Retirer la tasse de voyage de la base. Tourner le collier dans le sens antihoraire jusqu'à ce que le collier et l'assemblage des lames se détache de la tasse de voyage.

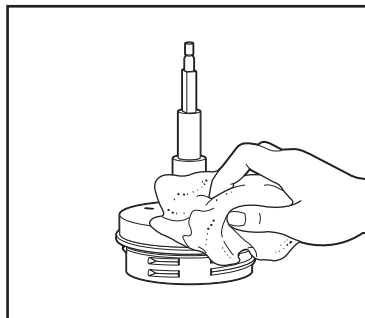


4. Retirer le bol de la base. Tourner le collier dans le sens horaire jusqu'à ce que le collier et l'arbre de moteur se séparent du bol.

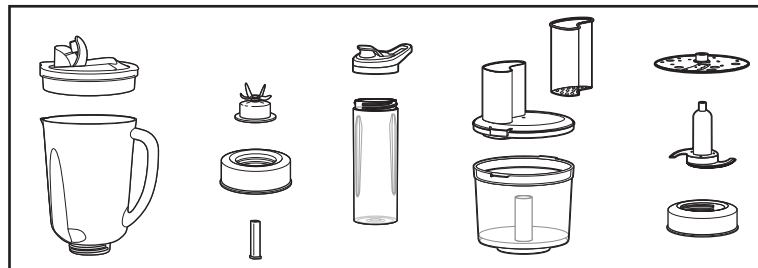
Nettoyage du mélangeur (suite)



5. Essuyer la base du mélangeur, le panneau de commande et le cordon avec un linge humide ou une éponge. Pour enlever les taches rebelles, utiliser un nettoyant doux et non abrasif.



6. Essuyer l'arbre de moteur avec un chiffon propre ou une éponge.



LAVABLES AU LAVE-VAISSELLE

7. NE PAS utiliser le réglage "SANI" du lave-vaisselle. Les températures du cycle "SANI" peuvent endommager le produit. Les pièces peuvent être lavées également avec de l'eau chaude et savonneuse. Manipuler l'assemblage de lames avec soin lors de la manipulation, car la lame à hacher/mélanger et le disque à trancher/râper sont très coupants. Rincer et sécher soigneusement. Ne pas faire tremper.

NETTOYAGE FACILE (EASY CLEAN)

POUR LE RÉCIPIENT DU MÉLANGEUR : Verser 2 tasses (473 ml) d'eau chaude dans le récipient et ajouter une goutte de savon à vaisselle. Faire fonctionner le mélangeur en utilisation le mode EASYCLEAN (nettoyage facile) pendant 10 secondes. Jeter l'eau savonneuse. Rincer avec de l'eau propre.

Cette fonction est une alternative au nettoyage périodique décrit au chapitre « Nettoyage du mélangeur ». Cette fonction ne doit jamais être utilisée pour mélanger des ingrédients à base d'oeufs, de lait ou tout autre produit laitier, viandes ou fruits de mer.

La fonction de nettoyage facile ne doit être utilisée que pour le rinçage du mélangeur pour une transformation additionnelle d'ingrédients identiques. Lorsque la transformation d'un seul type d'aliment est terminée, le mélangeur doit être démonté et entièrement nettoyé comme décrit au chapitre « Nettoyage du mélangeur ».

POUR LA TASSE DE VOYAGE : Verser 1 tasse (237 ml) d'eau chaude dans le récipient et ajouter une goutte de savon à vaisselle. Faire fonctionner le mélangeur en utilisation le mode EASYCLEAN (nettoyage facile) pendant 10 secondes. Jeter l'eau savonneuse. Rincer avec de l'eau propre.

Remarques

Garantie limitée

Cette garantie s'applique aux produits achetés et utilisés aux É.-U. et au Canada. C'est la seule garantie expresse pour ce produit et est en lieu et place de tout autre garantie ou condition.

Ce produit est garanti contre tout défaut de matériaux et de main-d'oeuvre pour une période des cinq (5) ans à compter de la date d'achat d'origine au Canada et trois (3) ans à compter de la date d'achat d'origine aux É.-U. Au cours de cette période, votre seul recours est la réparation ou le remplacement de ce produit ou tout composant s'avérant défectueux, à notre gré, mais vous êtes responsable de tous les coûts liés à l'expédition du produit et le retour d'un produit ou d'un composant dans le cadre de cette garantie. Si le produit ou un composant n'est plus offert, nous le remplacerons par un produit similaire de valeur égale ou supérieure.

Cette garantie ne couvre pas le verre, les filtres, l'usure d'un usage normal, l'utilisation non conforme aux directives imprimées, ou des dommages au produit résultant d'un accident, modification, utilisation abusive ou incorrecte. Cette garantie s'applique seulement à l'acheteur original ou à la personne l'ayant reçu en cadeau. La présentation du reçu de vente d'origine comme preuve d'achat est nécessaire pour faire une réclamation au titre de cette garantie. Cette garantie s'annule si le produit est utilisé autrement que par une famille ou si l'appareil est soumis à toute tension ou forme d'onde différente des caractéristiques nominales précisées sur l'étiquette (par ex. : 120 V ~ 60 Hz).

Nous excluons toutes les réclamations au titre de cette garantie pour les dommages spéciaux, consécutifs et indirects causés par la violation de garantie expresse ou implicite. Toute responsabilité est limitée au prix d'achat. **Chaque garantie implicite, y compris toute garantie ou condition de qualité marchande ou d'adéquation à un usage particulier, est exonérée, sauf dans la mesure interdite par la loi, auquel cas la garantie ou condition est limitée à la durée de cette garantie écrite.** Cette garantie vous donne des droits légaux précis. Vous pouvez avoir d'autres droits qui varient selon l'endroit où vous habitez. Certaines provinces ne permettent pas les limitations sur les garanties implicites ou les dommages spéciaux ou indirects de telle sorte que les limitations ci-dessus ne s'appliquent peut-être pas à votre cas.

Ne pas retourner cet appareil au magasin lors d'une réclamation au titre de cette garantie. Téléphoner au 1.800.851.8900 aux É.-U. ou au 1.800.267.2826 au Canada ou visiter le site internet www.hamiltonbeach.com aux É.-U. ou www.hamiltonbeach.ca au Canada. Pour un service plus rapide, trouvez le numéro de modèle, le type d'appareil et les numéros de série sur votre appareil.

SALVAGUARDIAS IMPORTANTES

Cuando utilice artefactos eléctricos, siempre deben seguirse precauciones de seguridad básicas a fin de reducir el riesgo de incendio, descarga eléctrica, y/o lesiones a personas, incluyendo las siguientes:

1. Lea todas las instrucciones.
2. Este aparato no se destina para utilizarse por personas (incluyendo niños) cuyas capacidades físicas, sensoriales o mentales sean diferentes o estén reducidas, o carezcan de experiencia o conocimiento, a menos que dichas personas reciban una supervisión o capacitación para el funcionamiento del aparato por una persona responsable de su seguridad.
3. Se requiere de una estrecha supervisión cuando el aparato se use cerca de niños. Los niños deben supervisarse para asegurar que ellos no empleen los aparatos como juguete.
4. Verifique que el voltaje de su instalación corresponda con el del producto.
5. Este artefacto no debe ser utilizado por niños. Mantenga el artefacto y su cable alejado del alcance de niños.
6. Para protegerse contra un riesgo de descarga eléctrica, no ponga el cable, enchufe, base o motor en agua o cualquier otro líquido.
7. Desconecte el cable de la toma cuando no esté en uso, antes de poner o quitar partes y antes de limpiar.
8. Evite el contacto con partes móviles.
9. No opere ningún aparato con cables o enchufe dañados o después de que el aparato funcione mal o se caiga o dañe de cualquier manera. El reemplazo del cable de suministro y las reparaciones deben ser efectuadas por el fabricante, su agente de servicio, o personas igualmente calificadas para poder evitar un peligro. Llame al número de servicio al cliente proporcionado para información sobre examinación, reparación o ajuste.
10. El uso de aditamentos, incluyendo latas, no recomendados o vendidos por el fabricante del aparato pueden causar un riesgo de lesiones personales.
11. No lo use en exteriores.
12. No deje que el cable cuelgue del borde de la mesa o cubierta, o toque superficies calientes, incluyendo la estufa.
13. Mantenga las manos y utensilios fuera de la jarra de la licuadora mientras se mezcla para reducir el riesgo de lesiones personales severas y/o daños a la licuadora. Se puede usar una espátula de hule pero sólo debe ser usada cuando no esté funcionando la licuadora.
14. Las cuchillas están afiladas; manéjelas con cuidado especialmente cuando ensamble, desensamble o limpie dentro de la jarra de la licuadora.
15. No use una jarra para licuadora rota, estrellada o rajada.
16. No use un conjunto de cuchilla de corte roto, rajado o flojo.
17. Para reducir el riesgo de lesión, nunca coloque el conjunto de cuchilla de corte sobre la base sin que la jarra para licuadora esté adecuadamente adherida.
18. Siempre use la licuadora con la tapa en su lugar.
19. Cuando licue líquidos calientes en la jarra de la licuadora, abra la abertura de ventilación central de la tapa y cierre la abertura del borde prevista para servir. Para prevenir posibles quemaduras: No llene la jarra de la licuadora más allá del nivel de 3 tazas (710 ml). Los líquidos calientes pueden empujar la tapa durante el licuado. Con la protección de guantes de cocina o una toalla gruesa, coloque una mano encima de la tapa. Mantenga la piel expuesta lejos de la tapa. Comience a licuar a una velocidad baja.

20. No licue líquidos calientes en la jarra para viajes.
21. Asegúrese de que collar de la base de la jarra de la licuadora esté fijo y asegurado. Pueden ocurrir lesiones si las cuchillas móviles accidentalmente quedan expuestas.
22. Si la jarra se tuerce o gira cuando el motor se enciende, apáguelo (●) inmediatamente y apriete la jarra en el collar o en la base de la licuadora.
23. No deje sin atención la licuadora mientras esté funcionando.
24. Antes de enchufar el cable en el tomacorriente, gire el control a OFF (●/apagado). Para desconectar el cable, ponga el control en OFF (●/apagado). Luego remueva el enchufe de la toma de la pared.
25. El tiempo de funcionamiento no puede superar los 3 minutos para cualquier accesorio o configuración de velocidad.
26. Tenga cuidado al verter líquido caliente dentro de la procesadora de alimentos o la licuadora porque puede salir disparado del artefacto debido a la salida de vapor repentina.
27. No lo coloque sobre o cerca de un quemador caliente eléctrica o a gas, o dentro de un horno caliente.
28. No use el aparato para otro propósito que no sea para el que fue hecho.
29. Mantenga las manos y utensilios alejados de la cuchilla picadora/mezcladora y del disco rebanador/rallador en movimiento mientras procesa los alimentos a fin de reducir el riesgo de lesiones personales graves y/o daños a la procesadora de alimentos. Se puede usar un raspador de plástico SOLAMENTE cuando el procesador o picador de alimento no funcione.
30. La cuchilla picadora/mezcladora y el disco rebanador/rallador son filosos. Manéjelo con cuidado. Almacene lejos del alcance de los niños.
31. Para reducir el riesgo de lesiones, nunca coloque la cuchilla picadora/mezcladora o el disco rebanador/rallador en el eje del motor de la procesadora o picador sin el tazón colocado correctamente.
32. Asegúrese de que la tapa de la procesadora o picador esté bien trabada en su lugar antes de utilizar el artefacto.
33. Nunca meta el alimento en el ducto con la mano. Siempre use los empujadores de alimento.
34. No trate de anular el mecanismo de bloqueo de la tapa de la procesadora o picador.
35. Asegúrese de que la cuchilla picadora/mezcladora y el disco rebanador/rallador se hayan detenido por completo antes de quitar la tapa de la procesadora o picador.
36. Nunca use el aparato por un periodo más largo o con una cantidad mayor de ingredientes de los recomendados por el fabricante del aparato. Vea la sección "Tablas de Procesamiento de Alimentos".
37. **PRECAUCIÓN:** A fin de evitar un riesgo debido a la reconfiguración inadvertida de la protección térmica, este artefacto no debe recibir suministro mediante un dispositivo de derivación externo, como un temporizador, o conectarse a un circuito que la empresa de servicio regularmente activa y desactiva.

GUARDE ESTAS INSTRUCCIONES

Otra Información de Seguridad para el Cliente

Este aparato ha sido diseñado solamente para uso doméstico. Sólo úselo para alimentos o líquidos.

⚠ ADVERTENCIA Peligro de Descarga Eléctrica: Este aparato es provisto con un enchufe polarizado (una pata más ancha) para reducir el riesgo de una descarga eléctrica. El enchufe embona únicamente en una dirección dentro de un tomacorriente polarizado. No trate de obviar el propósito de seguridad del enchufe modificándolo de alguna manera o utilizando un adaptador. Si el enchufe no entra completamente en la toma, invierta el enchufe. Si aún no entra, haga que un electricista reemplace la toma.

El largo del cable que se usa en este aparato fue seleccionado para reducir el peligro de que alguien se enganche o tropiece con un cable más largo. Si es necesario usar un cable más largo,

se podrá usar un cable de extensión aprobado. La clasificación eléctrica nominal del cable de extensión debe ser igual o mayor que la clasificación nominal del aparato. Es importante tener cuidado de colocar el cable de extensión para que no se pliegue sobre el mostrador o la mesera en donde niños puedan tirar del mismo o tropezarse accidentalmente.

Si el conjunto de cuchilla de corte se atora y no se mueve, dañará el motor. No la use. Llame a nuestro número de asistencia al cliente sin costo para información.

No coloque la jarra de la licuadora en el congelador lleno de comida o líquido. Esto puede resultar en un daño del conjunto de cuchilla de corte, jarra, licuadora y resulte posiblemente en lesiones personales.

Información sobre Watt/Energía Pico

La clasificación del wattaje/amperaje de la licuadora se determina por una prueba de Laboratorio del Suscriptor y está basada en las combinaciones de conjunto de cuchilla de corte, jarra, y accesorios disponibles que pueden no proporcionarse con su unidad, pero están disponibles como partes de reemplazo. Esta es una medida de entrada de watt/amperes después de 30 segundos de operación.

La energía pico es la medida del wattaje del motor durante los primeros segundos de operación. Esto es cuando la licuadora requiere la mayor energía para cortar hielo, fruta congelada, etc. Esta es una mejor medición de lo que un motor de licuadora puede consumir cuando más se requiere energía.

Piezas y Características

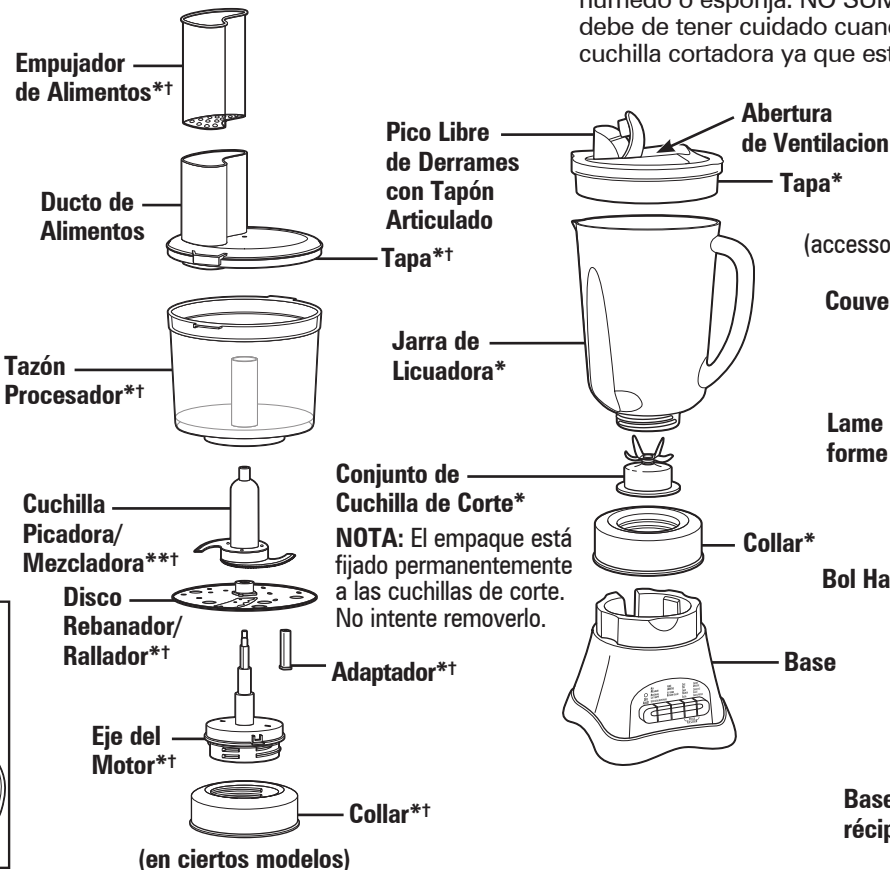
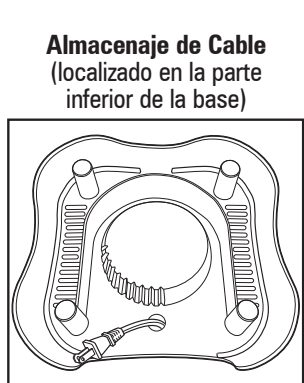
*Para ordenar partes:

EE. UU.: 1.800.851.8900

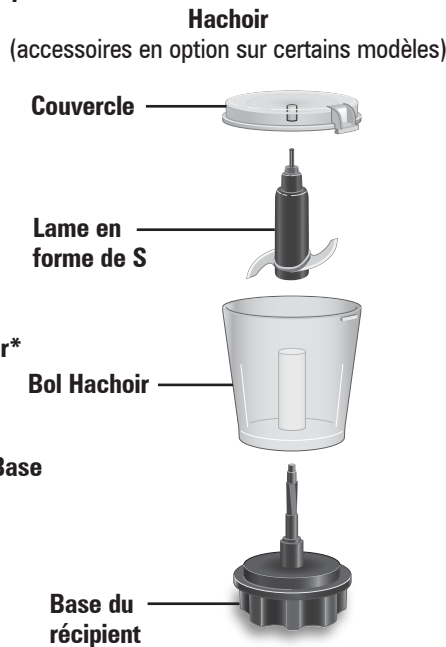
www.hamiltonbeach.com

México: 01 800 71 16 100

†Accesorio Opcional en Modelos Selectos

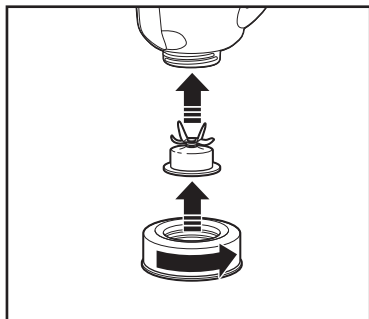


ANTES DE USAR POR PRIMERA VEZ: Lave todo excepto la base de la licuadora en agua caliente jabonosa. Seque completamente. Limpie la base de la licuadora con un paño húmedo o esponja. **NO SUMERJA LA BASE EN AGUA.** Se debe de tener cuidado cuando se manipule el conjunto de cuchilla cortadora ya que está muy afilada.

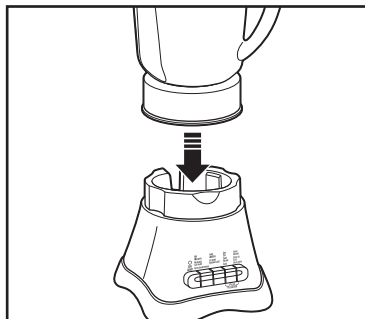


Cómo Usar su Licuadora

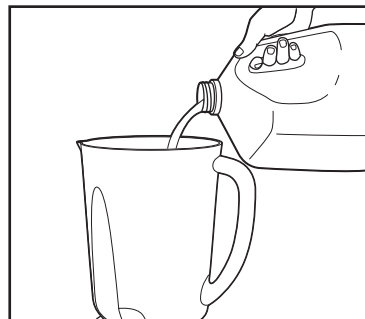
IMPORTANTE: La jarra de su licuadora y el conjunto de cuchilla de corte están sujetos a desgaste durante el uso normal. Siempre inspeccione la jarra por cortes, astillas o rajaduras. Siempre inspeccione el conjunto de cuchilla de corte por cortes, rajaduras o cuchillas sueltas. Si la jarra o el conjunto de cuchilla de corte están dañados, no los use. Llame a nuestro número de servicio al cliente sin costo para obtener piezas de reemplazo.



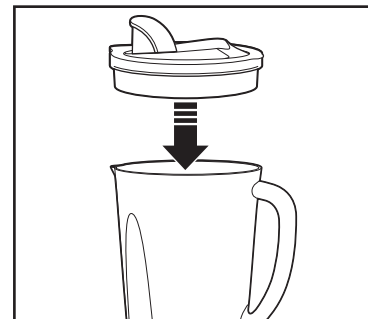
1. Gire el anillo en sentido contrario a las agujas del reloj hasta que quede firme.



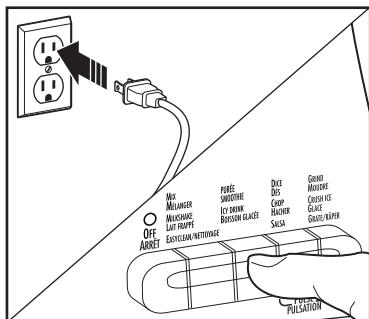
2. Coloque la jarra de la licuadora sobre la base.



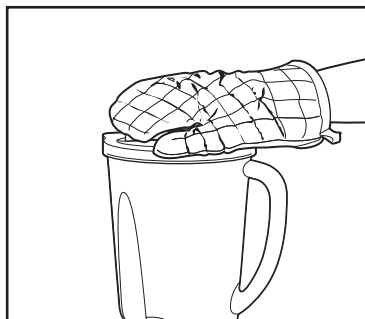
3. Agregue los ingredientes a la jarra.



4. Coloque la tapa sobre la jarra.



5. Enchufe en el tomacorriente. Presione el botón de velocidad deseado. Cuando utilice el botón PULSE (pulso), la licuadora sólo funcionará cuando el botón se mantenga presionado.



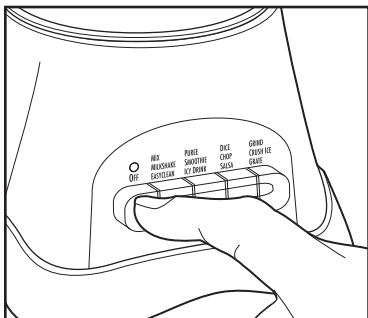
6. Sostenga la jarra en su lugar cuando esté licuado.

⚠ ADVERTENCIA Peligro de

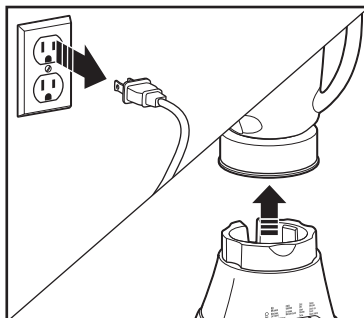
Quemaduras. Cuando licua líquidos calientes, abra la abertura de ventilación de la tapa, abra la abertura de ventilación central de la tapa y cierre la abertura del borde prevista para servir. Los líquidos calientes pueden empujar la tapa durante el licuado. No llene la jarra de la licuadora más allá del nivel de 3 tazas (710 ml). Con la protección de guantes de cocina o una toalla gruesa, coloque una mano encima de la tapa. Mantenga la piel expuesta lejos de la tapa. Comience a licuar a una velocidad baja.



Cómo Usar su Licuadora (cont.)



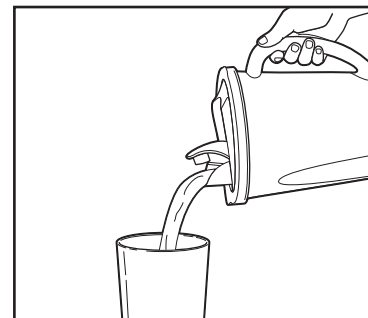
7. Presione OFF (●/apagado) para apagar la licuadora.



8. Desenchufe. Quite la jarra de la licuadora de la base.



9. Abra el pico.



10. Vierta la mezcla dentro del recipiente.

Consejos para la Licuadora

- Para agregar alimentos cuando la licuadora está funcionando, remueva la tapa de llenado de la cubierta del contenedor y agregue los ingrediente a través de esta abertura.
- Para un mejor desempeño, la cantidad mínima de líquido necesaria por receta es una taza (8 onza/237 ml). Agregue más líquido si el alimento no se licúa adecuadamente.
- Si la acción de licuado se detiene durante el licuado o los ingredientes se pegan a los lados de la jarra, puede que no haya suficiente líquido en la jarra para licuar efectivamente.
- No intente hacer puré de papa, licuar masa dura, batir claras de huevo, moler carne cruda, o extraer jugos de frutas y verduras.
- No almacene alimentos o líquidos en la jarra de la licuadora.
- Evite golpear o dejar caer la licuadora cuando esté en funcionamiento o en cualquier momento.

Cómo Usar la Jarra para Viajes

⚠ ADVERTENCIA

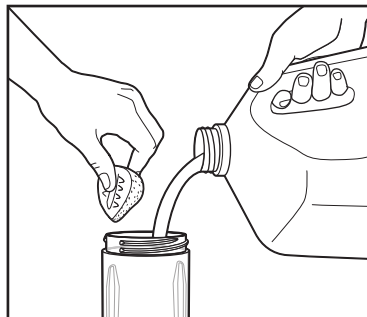
Peligro de Quemaduras.

No licue ingredientes calientes. Puede acumularse presión, lo que provocaría que el vaso se destape de golpe y los ingredientes calientes salgan disparados.

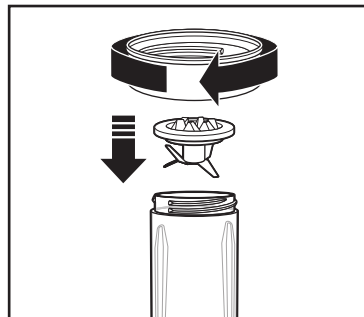
⚠ ADVERTENCIA

Peligro de Laceración.

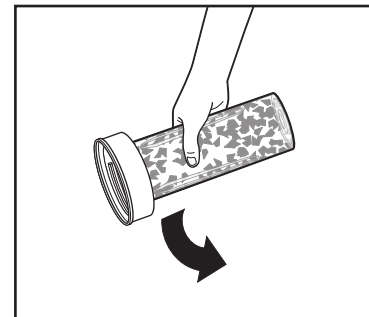
Maneje las cuchillas cuidadosamente; está muy afilada. Asegúrese de que la unidad esté apagada (OFF/O) y desenchufada.



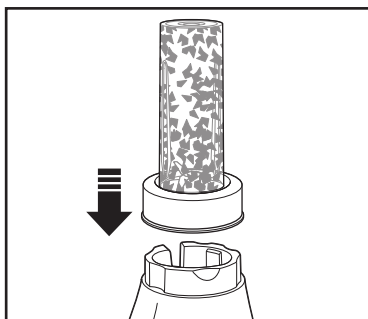
1. Agregue los ingredientes a la jarra para viajes.



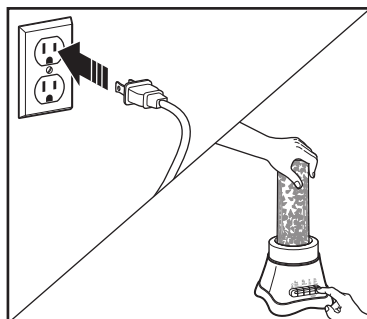
2. Con cuidado coloque el montaje de corte y el anillo en la jarra para viajes.



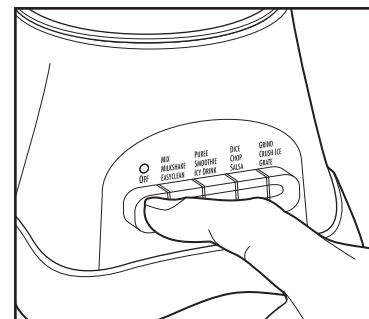
3. Dé vuelta la jarra para viajes y agítela para mezclar los ingredientes.



4. Colóquela en la base.

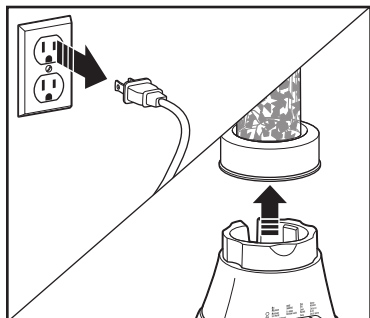


5. Enchufe en el tomacorriente. Presione el botón de velocidad deseado. Cuando utilice el botón PULSE (pulso), la licuadora sólo funcionará cuando el botón se mantenga presionado. Sostenga la jarra en su lugar cuando esté licuando.

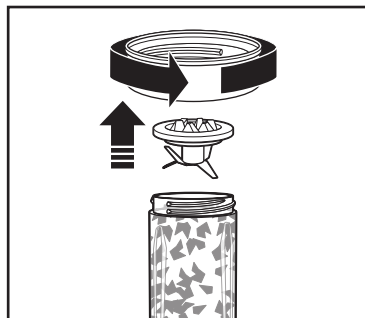


6. Presione OFF (O/apagado) para apagar la licuadora.

Cómo Usar la Jarra para Viajes (cont.)



7. Desenchufe. Quite la jarra para viajes de la base.



8. Dé vuelta, quite el anillo y el conjunto de cuchilla de corte de la jarra.



9. Ajuste a mano la tapa para beber en la jarra para viajes.

Consejos de Licuado

- Si la acción de licuado no se inicia, se detiene, o si los ingredientes se pegan a los costados de la jarra, apague (OFF/O) la licuadora. Quite la jarra, sacuda el contenido y vuelva a licuar.
- Para un mejor desempeño de la jarra para viajes de 20 oz., la cantidad mínima de líquido necesaria por receta es 3/4 taza (6 onzas/177 ml).
- Cuando llene la jarra, coloque primero los ingredientes congelados o el hielo dentro de la misma. Cuando los dé vuelta para licuarlos, los elementos congelados quedarán en la parte superior.
- No pique o procese alimentos duros tales como queso, galletas o carne.
- Trate de no golpear o dejar caer la licuadora.
- No licue líquidos calientes en la jarra para viajes.
- No llene la jarra para viajes por encima de la línea de llenado MAX.

Cómo Licuar Bebidas con la Jarra de la Licuadora

TIPO DE BEBIDA	INGREDIENTES	CANTIDAD DE PORCIONES	CONFIGURACIÓN DE LICUADORA/TIEMPO
Smoothie de Fruta	1 taza (237 ml) de leche 1 1/2 tazas (355 ml) de yogurt 2 tazas (473 ml) de bayas congeladas u otra fruta Endulzante a gusto (opcional)	3 a 4 (rinde para 4 tazas [946 ml])	Configuración SMOOTHIE por 45 segundos o hasta que esté listo.
Batido de Leche	1 1/2 tazas (355 ml) de leche 2 cucharadas grandes de helado 2 a 3 cucharadas (15 a 44 ml) de jarabe saborizado	2 a 3 (rinde para 3 tazas [710 ml])	Configuración MILKSHAKE (batido de leche) por 5 a 10 segundos o LOW (baja) hasta que quede listo.
Bebida Congelada	1 taza (237 ml) de mezcla para bebidas, como mezcla de Piña Colada 10 cubitos de hielo	2 (rinde para 2 tazas [473 ml])	Configuración ICY DRINK (bebida helada) por 45 segundos o PULSE (pulso) 5 veces y licue en HIGH (alta) por 45 segundos o hasta que esté listo.

CONSEJOS PARA MEJORES RESULTADOS:

- Siempre coloque primero el líquido en la jarra de la licuadora; luego los ingredientes restantes.
- Si los trozos de fruta helados o congelados no se licuan, detenga la licuadora y PULSE (pulso) algunas veces.
- Ver la sección “Consejos para la Licuadora” en la página 45.

Cómo Preparar Bebidas con la Jarra para Viajes

TIPO DE BEBIDA	INGREDIENTES	CANTIDAD DE PORCIONES	CONFIGURACIÓN DE LICUADORA/TIEMPO
Jugo entero	1/2 taza (118 ml) de mango o piña congelados 1 puñado de hojas de espinaca bebé 1 taza (237 ml) de uvas verdes sin semillas	2 a 3 (rinde para 2–2 1/2 tazas [473 a 591 ml])	Agregue los ingredientes en la jarra en el orden listado. Coloque el conjunto de cuchilla de corte en la parte superior de la jarra; fije con el anillo. Dé vuelta sobre la licuadora y coloque la mano sobre la parte superior de la jarra para sostenerla en su lugar. Licue en SMOOTHIE por 30 segundos. Quite la jarra de la licuadora. Sacuda los ingredientes en la jarra y vuelva a licuar en SMOOTHIE por 15 a 20 segundos más. Quite el anillo y la cuchilla y ajuste la tapa para beber.
Smoothie de Fruta	1 taza (237 ml) de fresas congeladas 1 banana grande 1/4 taza (59 ml) de yogurt de vainilla griego 3/4 taza (177 ml) de jugo de piña	2 a 3 (rinde para 2–2 1/2 tazas [473 a 591 ml])	Agregue los ingredientes en la jarra en el orden listado. Coloque el conjunto de cuchilla de corte en la parte superior de la jarra; fije con el anillo. Dé vuelta sobre la licuadora y coloque la mano sobre la parte superior de la jarra para sostenerla en su lugar. Licue en SMOOTHIE de 25 a 30 segundos. Quite el anillo y la cuchilla y ajuste la tapa para beber.
Batido de Leche	3 cucharadas de helado de cualquier sabor (cuchara #16) 3/4 taza (177 ml) de leche o leche de coco	2 a 3 (rinde para 2–2 1/2 tazas [473 a 591 ml])	Agregue los ingredientes en la jarra en el orden listado. Coloque el conjunto de cuchilla de corte en la parte superior de la jarra; fije con el anillo. Dé vuelta sobre la licuadora y coloque la mano sobre la parte superior de la jarra para sostenerla en su lugar. Licue en MILKSHAKE por 20 segundos. Quite el anillo y la cuchilla y ajuste la tapa para beber.

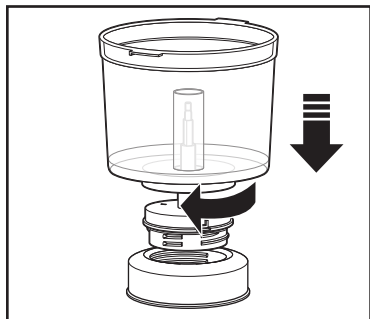
CONSEJOS PARA MEJORES RESULTADOS: Ver la sección “Consejos de Licuado” en la página 47.

Cómo Usar el Accesorio de Tazón Procesador – Cuchilla Picadora/Mezcladora

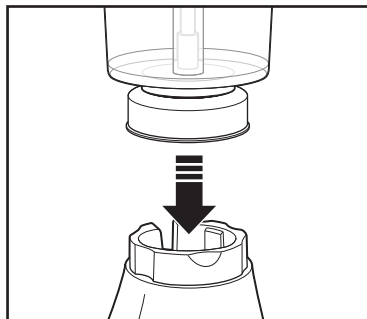
⚠ **ADVERTENCIA** Peligro de Laceración.

Maneje la cuchilla cuidadosamente; está muy afilada. Asegúrese que la perilla de control esté en OFF (●/apagado) y la unidad esté desconectada.

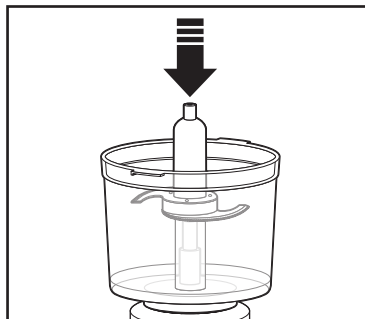
Siempre espere hasta que la cuchilla se detenga antes de remover la tapa.



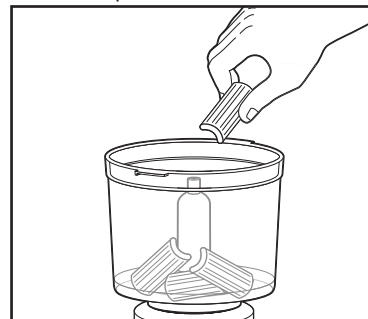
1. Fije el anillo en la caja de eje del motor.



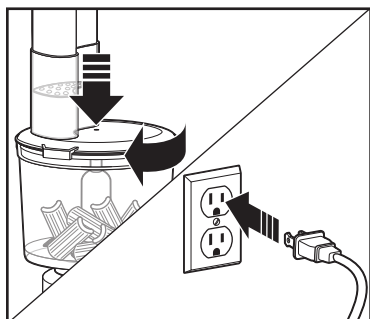
2. Alinee el tazón y la base.



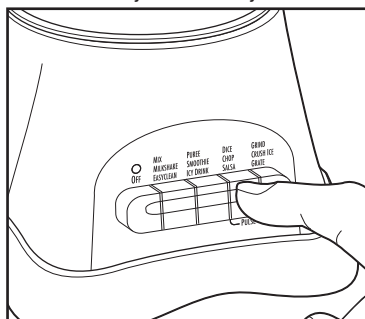
3. Con cuidado deslice la cuchilla hacia abajo sobre el eje del motor.



4. Coloque los alimentos que va a picar/mezclar en el tazón.

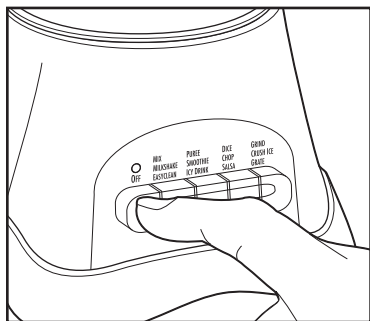


5. Gire la tapa en sentido de las agujas del reloj para fijarla en la base. Coloque el empujador de alimentos en la tapa. Verifique que la unidad se encuentre en la posición de OFF (●/apagado) antes de enchufarla en el tomacorriente.

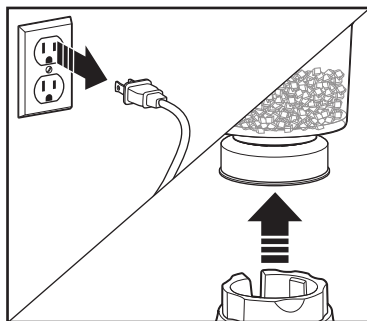


6. Presione el botón de velocidad deseado. Cuando utilice el botón PULSE (pulso), la procesamiento sólo funcionará cuando el botón se mantenga presionado. Sostenga la jarra en su lugar cuando esté procesamiento.

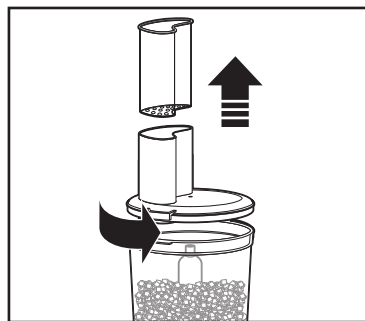
Cómo Usar el Accesorio de Tazón Procesador – Cuchilla Picadora/Mezcladora (cont.)



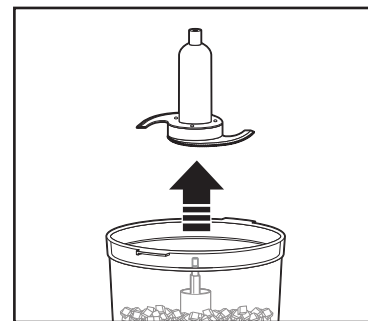
7. Presione OFF (O/apagado) para apagar la licuadora.



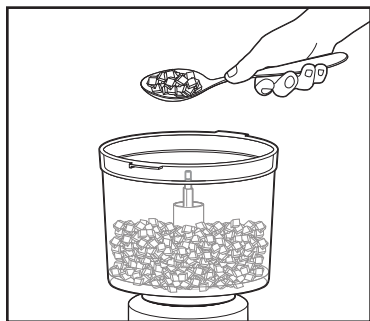
8. Desenchufe. Quite el tazón de la base.



9. Quite la tapa.



10. Quite con cuidado la cuchilla del eje del motor.



11. Quite los alimentos del tazón con una cuchara.

⚠ ADVERTENCIA

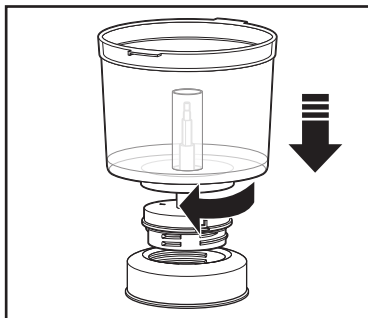
Peligro de Laceración. Siempre use el empujador de alimentos para introducirlos en el ducto. Nunca empuje alimentos a través del ducto con los dedos u otros objetos.

Cómo Usar el Accesorio Procesador de Alimentos – Disco Rebanador/Rallador

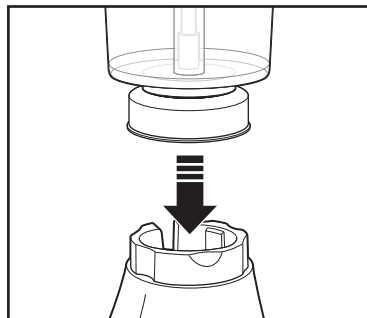
⚠ ADVERTENCIA Peligro de Laceración.

Maneje la cuchilla cuidadosamente; está muy afilada. Asegúrese que la perilla de control esté en OFF (●/apagado) y la unidad esté desconectada.

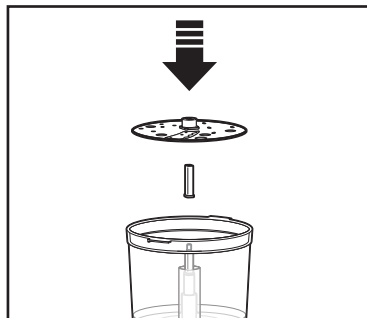
Siempre espere hasta que la cuchilla se detenga antes de remover la tapa.



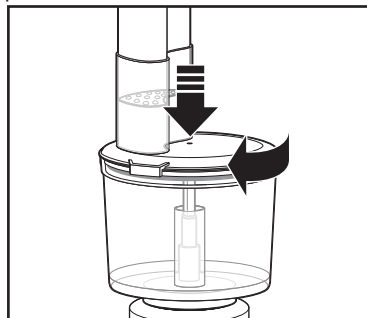
1. Fije el anillo en la caja de eje del motor.



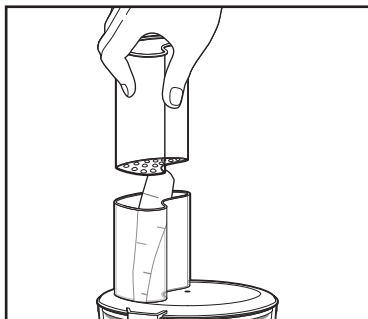
2. Alinee el tazón y la base.



3. Asegúrese de colocar el adaptador en el eje del motor antes de instalar el disco rebanador/rallador dentro del tazón. **NOTA:** El adaptador deberá darse vuelta para poder usar el otro lado del disco.

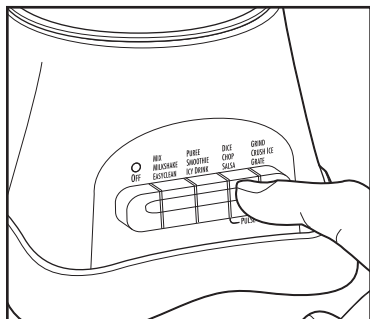


4. Gire la tapa en sentido de las agujas del reloj para fijarla en la base. Verifique que la unidad se encuentre en la posición de OFF (●/apagado) antes de enchufarla en el tomacorriente.

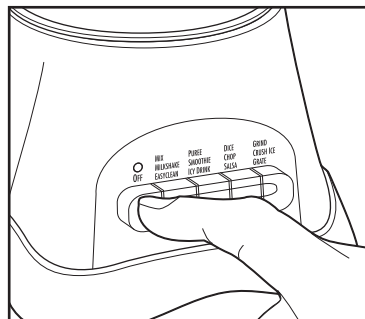


5. **⚠ ADVERTENCIA Peligro de Laceración.** Siempre use el empujador de alimentos para introducirlos en el ducto. Nunca empuje alimentos a través del ducto con los dedos u otros objetos.

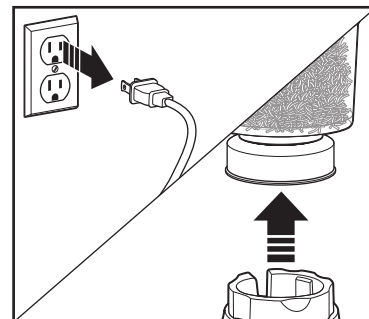
Cómo Usar el Accesorio Procesador de Alimentos – Disco Rebanador/Rallador (cont.)



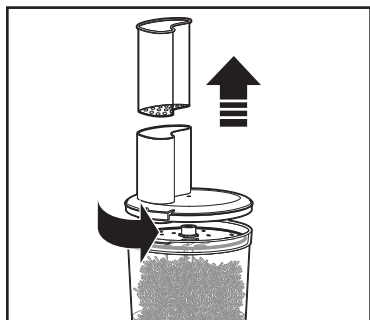
6. Presione el botón de velocidad deseado. Cuando utilice el botón PULSE (pulso), la procesamiento sólo funcionará cuando el botón se mantenga presionado. Sostenga la jarra en su lugar cuando esté procesamiento.



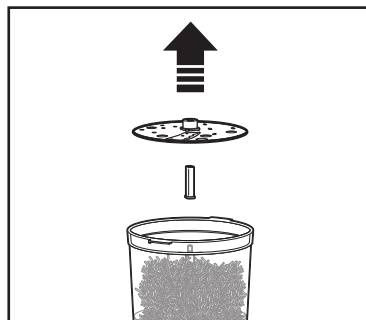
7. Presione OFF (●/apagado) para apagar la licuadora.



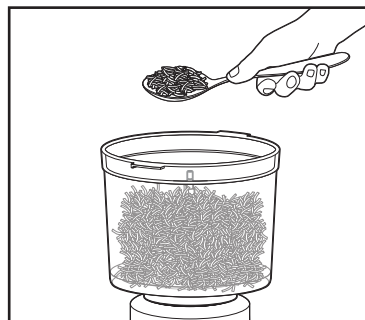
8. Desenchufe. Quite el tazón de la base.



9. Quite la tapa.



10. Con cuidado quite el disco y el adaptador del eje del motor.



11. Quite los alimentos del tazón con una cuchara.

⚠ ADVERTENCIA

Peligro de Laceración. Siempre use el empujador de alimentos para introducirlos en el ducto. Nunca empuje alimentos a través del ducto con los dedos u otros objetos.

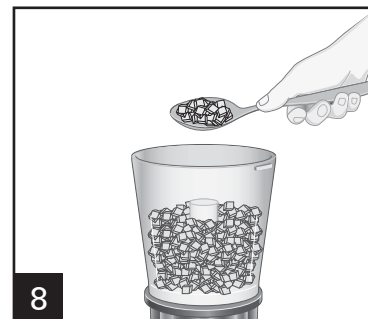
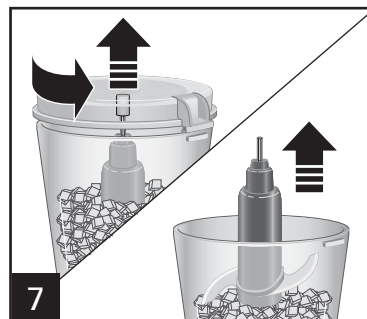
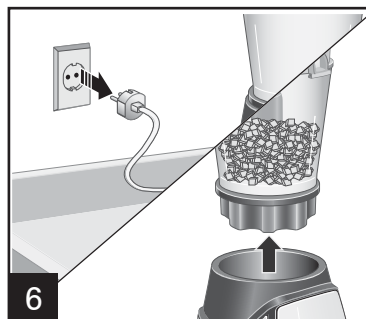
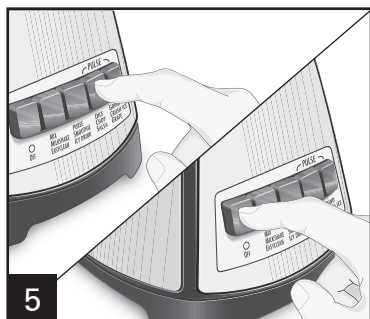
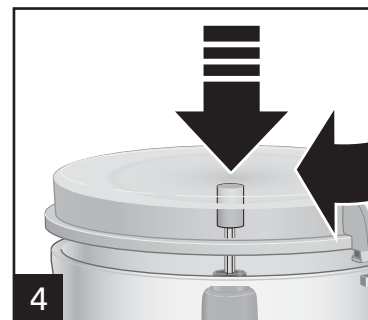
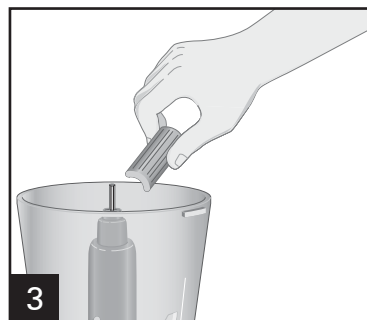
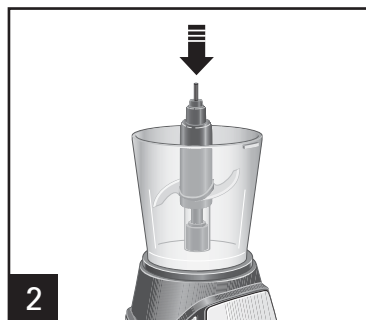
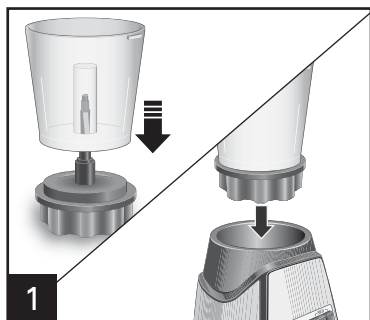
Cómo Usar el Accesorio Picador de Alimentos

(Accesorios Optional en Modelos Selectos)

⚠ ADVERTENCIA Peligro de Cortaduras.

Verifique que la unidad esté apagada y desenchufada antes de instalar el accesorio picador de alimentos. No enchufe ni encienda la unidad hasta que la tapa esté en su posición y trabada en la parte superior del tazón picador de alimentos.

Siempre apague, desenchufe y espere a que la cuchilla deje de girar antes de abrir la tapa.



Verifique que la unidad se encuentre en la posición de apagado antes de enchufarla en el tomacorriente.

Consejos y Técnicas

- Para una consistencia más uniforme, comience con pedazos de alimento que sean similares en tamaño. Corte el alimento en pedazos de 1 pulgada (2.5 cm) antes de procesarlos con la cuchilla picadora/mezcladora.
- Este procesador de alimentos es excelente para cortar, mezclar, rebanar o rallar la mayoría de los alimentos. Sin embargo, para mantener un desempeño al máximo, no use su procesador de alimento para lo siguiente: moler granos, granos de café o especias; rebanar carne congelada; amasar masa; o romper hielo.
- Cuando corte alimentos, empujando poco a poco producirá mejores resultados.
- El tiempo de funcionamiento dependerá de la cantidad de alimento a ser procesada. La mayoría de los alimentos pueden ser rebanados, cortados o rallados en segundos. Si la unidad es usada por un período de tiempo prolongado, deje que el procesador descanse por unos 4 minutos antes de continuar.
- No haga puré o masa vegetales almidonados como papas ya que pueden ser fácilmente sobre-procesadas y se pondrá gomosas.
- Para rebanar o rallar queso, seleccione quesos firmes como Cheddar, Monterey Jack o Suizo que haya sido enfriado durante por lo menos 30 minutos.
- El disco rebanador/rallador reversible cuenta con una cuchilla rebanadora en un lado y dientes ralladores en el otro. El nombre marcado en la cuchilla, mirando hacia arriba, es la función seleccionada. Para rebanar, la palabra "SLICE" (rebanar) debe apuntar hacia arriba; para rallar, la palabra "SHRED" (rallar) debe apuntar hacia arriba. Coloque en el eje del motor con el borde de corte deseado hacia arriba.
- Para hacer vegetales juliana, rebane luego remueva del tazón y vuelva a acomodar los vegetales. Empaque en ducto de alimento con las rebanadas en vertical. Rebane de nuevo para hacer vegetales de corte fino.

Tablas de Procesamiento de Alimentos

Los aditamentos de disco son reversibles y marcados. Esta marca debe ver hacia arriba para la función deseada. Cuando use aditamentos de disco, no procese más allá del NIVEL MÁX. en el tazón.

ADITAMENTO

Cuchilla Picadora/
Mezcladora

Disco Rebanar

Disco para Rallar

ALIMENTOS

Cortar: Nueces, carne, ajo, cebollas, pimientos, apio, hierbas, pan (para migajas), galletas

Picar/Puré: Verduras, frutas

Mezclar: Aderezos de ensalada

Puré: Sopas, salsas

Rallar: Queso como el parmesano (refrigerado)

Pepinos, manzanas, champiñones, zanahorias, papas, repollo, tomates, peperoni, pimientos, rábanos, quesos duros (refrigerados)

Repollo, papas, zanahorias, queso (refrigerado)

Para mejores resultados no exceda las cantidades siguientes cuando corte, pique, o haga puré con la cuchilla picadora/mezcladora.

Recetas

Salsa de Mango y Piña

Ingredientes:

- 2 tazas (473 ml) de piña fresca picada
- 1 naranja pelada y picada
- 1 taza (237 ml) de mango fresco picado
- 1/2 taza (118 ml) de pimienta roja picado
- 1/2 taza (118 ml) de jugo de piña
- 1/4 taza (59 ml) de cilantro fresco picado
- 1/4 taza (59 ml) de cebolla picada
- 3 cucharadas (44 ml) de vinagre de sidra de manzana
- 1/2 cucharadita (2.5 ml) de sal
- 1/4 cucharadita (1.3 ml) de pimienta negra

Instrucciones:

1. Coloque la piña, la naranja, el mango, el pimienta roja, el jugo de piña, el cilantro, la cebolla, el vinagre de sidra, la sal y pimienta en un tazón grande.
2. Cubra con envoltorio plástico y refrigere hasta el momento de servir.

Rendimiento: 6 a 8

Bolas de Queso al Curry

Ingredientes:

- 1 paquete (8 oz. [227 g]) de queso crema ablandado
- 1/2 taza (118 ml) de quesos Colby y Monterey jack rallados en hebras
- 2 cucharadas (30 ml) de cebollinos picados
- 2 cucharadas (30 ml) de chutney Major Grey
- 1 cucharada (15 ml) de curry en polvo
- 1/2 taza (118 ml) de cacahuates picados ligeramente salados y asados en seco
- 1/4 taza (59 ml) de cilantro picado

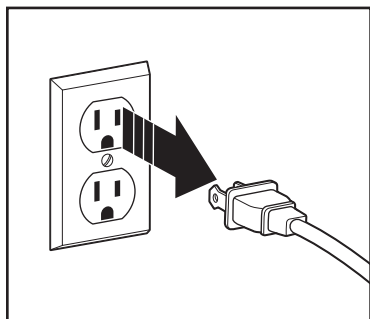
Instrucciones:

1. Mezcle el queso crema, el queso en hebras, los cebollinos, el chutney y el curry en polvo en un tazón pequeño hasta unir bien.
2. Cubra y refrigere por varias horas.
3. Mezcle los cacahuates y el cilantro en un tazón pequeño. Coloque la mezcla de queso crema sobre una plancha de envoltorio plástico o sobre papel encerado y enrolle hasta formar una bola.
4. Espolvoree la mezcla de cacahuates sobre el queso crema; ruede hasta cubrir toda la bola.
5. Cubra y refrigere por varias horas para que se mezclen los sabores. Sirva con galletas.

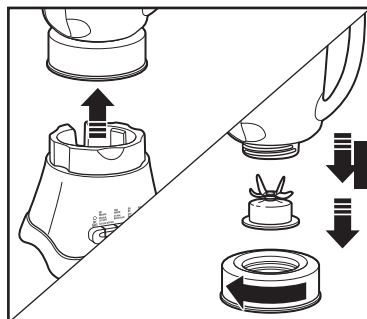
Rendimiento: 20 a 22

Cómo Limpiar su Licuadora

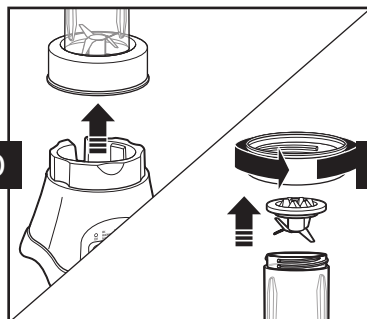
⚠ ADVERTENCIA Peligro de Descarga Eléctrica.
Desconecte la energía antes de limpiar. No sumerja el cable, el enchufe, base o motor en agua u otro líquido.



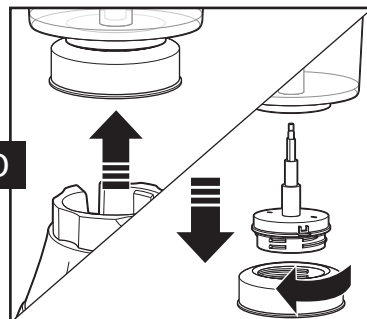
1. Desenchufe.



2. Quite la jarra de la licuadora de la base. Gire el collar en sentido de las agujas del reloj hasta que el collar y el conjunto de cuchillas de corte se separen de la jarra de la licuadora.

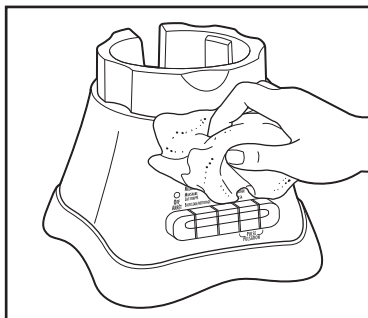


3. Quite la jarra para viajes de la base. Gire el collar en sentido contrario a las agujas del reloj hasta que el collar y el conjunto de cuchillas de corte se separen de la jarra para viajes.

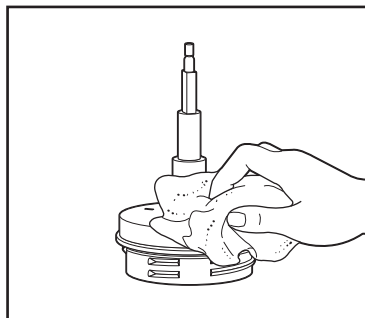


4. Quite el tazón de la base. Gire el collar en sentido de las agujas del reloj hasta que el collar y el eje del motor se separen del tazón.

Cómo Limpiar su Licuadora (cont.)



5. Limpie la base de la licuadora, el panel de control y el cable con un paño húmedo o esponja. Para remover las manchas tercas, use un limpiador suave no abrasivo.



6. Limpie el eje del motor con un paño o esponja húmedos.



RESISTENTE AL LAVAVAJILLAS

7. No utilice la configuración "SANI" cuando la lave en el lavavajillas. Las temperaturas del ciclo "SANI" pueden dañar su producto. Las piezas también pueden lavarse con agua caliente jabonosa. Debe tenerse cuidado al manipular el conjunto de cuchilla de corte, la cuchilla picadora/mezcladora y el disco rebanador/rallador porque son muy filosos. Enjuague y seque completamente. No empape.

LIMPIEZA FÁCIL (EASY CLEAN)

PARA LA JARRA DE LA LICUADORA: Vacíe 2 tazas (473 ml) de agua caliente en el jarra y agregue 1 gota de detergente líquido para platos. Haga funcionar la licuadora en EASYCLEAN (limpieza fácil) por 10 segundos. Deseche el agua jabonosa. Enjuague con agua limpia.

Esta función no es un sustituto de la limpieza regular como se indica en "Cómo Limpiar su Licuadora". Esta función no debe ser usada nunca cuando se bata cualquier mezcla que contenga huevos, leche o cualquier producto lácteo, carnes, o mariscos.

La función de EASYCLEAN (limpieza fácil) debe ser usada solamente para enjuagar la licuadora entre procesado de porciones del mismo alimento. Cuando termine de procesar un solo tupo de alimento, la licuadora debe ser desensamblada y limpiada completamente como se indica en "Cómo Limpiar su Licuadora".

PARA LA JARRA PARA VIAJES: Vacíe 1 taza (237 ml) de agua caliente en el jarra y agregue 1 gota de detergente líquido para platos. Haga funcionar la licuadora en EASYCLEAN (limpieza fácil) por 10 segundos. Deseche el agua jabonosa. Enjuague con agua limpia.

PÓLIZA DE GARANTÍA

PRODUCTO:

MARCA:

MODELO:

Grupo HB PS, S.A. de C.V. cuenta con una Red de Centros de Servicio Autorizada, por favor consulte en la lista anexa el nombre y dirección de los establecimientos en la República Mexicana en donde usted podrá hacer efectiva la garantía, obtener partes, componentes, consumibles y accesorios; así como también obtener servicio para productos fuera de garantía. Para mayor información llame sin costo: **Centro de Atención al consumidor: 01 800 71 16 100**

Grupo HB PS, S.A. de C.V. le otorga a partir de la fecha de compra:
GARANTÍA DE 3 AÑOS.

COBERTURA

- Esta garantía ampara, todas las piezas y componentes del producto que resulten con defecto de fabricación incluyendo la mano de obra.
- Grupo HB PS, S.A. de C.V. se obliga a reemplazar, reparar o reponer, cualquier pieza o componente defectuoso; proporcionar la mano de obra necesaria para su diagnóstico y reparación, todo lo anterior sin costo adicional para el consumidor.
- Esta garantía incluye los gastos de transportación del producto que deriven de su cumplimiento dentro de su red de servicio.

LIMITACIONES

- Esta garantía no ampara el reemplazo de piezas deterioradas por uso o por desgaste normal, como son: cuchillas, vasos, jarras, filtros, etc.
- Grupo HB PS, S.A. de C.V. no se hace responsable por los accidentes producidos a consecuencia de una instalación eléctrica defectuosa, ausencia de toma de tierra, clavija de enchufe en mal estado, etc.

EXCEPCIONES

Esta garantía no será efectiva en los siguientes casos:

- a) Cuando el producto se hubiese utilizado en condiciones distintas a las normales. (Uso industrial, semi-industrial o comercial.)
- b) Cuando el producto no hubiese sido operado de acuerdo con el instructivo de uso.
- c) Cuando el producto hubiese sido alterado o reparado por personas no autorizadas por Grupo HB PS, S.A. de C.V. el fabricante nacional, importador o comercializador responsable respectivo.

El consumidor puede solicitar que se haga efectiva la garantía ante la propia casa comercial donde adquirió su producto, siempre y cuando Grupo HB PS, S.A. de C.V. no cuente con talleres de servicio.

PROCEDIMIENTO PARA HACER EFECTIVA LA GARANTÍA

- Para hacer efectiva la garantía no deben exigirse mayores requisitos que la presentación del producto y la póliza correspondiente, debidamente sellada por el establecimiento que lo vendió.
- Para hacer efectiva la garantía, lleve su aparato al Centro de Servicio Autorizado más cercano a su domicilio (consulte la lista anexa).
- Si no existe Centro de Servicio Autorizado en su localidad llame a nuestro Centro de Atención al Consumidor para recibir instrucciones de como hacer efectiva su garantía.
- El tiempo de reparación, en ningún caso será mayor de 30 días naturales contados a partir de la fecha de recepción del producto en nuestros Centros de Servicio Autorizados.
- En caso de que el producto haya sido reparado o sometido a mantenimiento y el mismo presente deficiencias imputables al autor de la reparación o del mantenimiento dentro de los treinta días naturales posteriores a la entrega del producto al consumidor, éste tendrá derecho a que sea reparado o mantenido de nuevo sin costo alguno. Si el plazo de la garantía es superior a los treinta días naturales, se estará a dicho plazo.
- El tiempo que duren las reparaciones efectuadas al amparo de la garantía no es computable dentro del plazo de la misma. Cuando el bien haya sido reparado se iniciará la garantía respecto de las piezas repuestas y continuará con relación al resto. En el caso de reposición del bien deberá renovarse el plazo de la garantía.

FECHA DE ENTREGA	SELLO DEL VENDEDOR	QUEJAS Y SUGERENCIAS
DÍA__ MES__ AÑO__		Si desea hacer comentarios o sugerencias con respecto a nuestro servicio o tiene alguna queja derivada de la atención recibida en alguno de nuestros Centros de Servicio Autorizados, por favor dirigirse a: GERENCIA INTERNACIONAL DE SERVICIO 01 800 71 16 100 Email: mexico.service@hamiltonbeach.com.mx

RED DE CENTROS DE SERVICIO AUTORIZADA GRUPO HB PS, S.A. DE C.V.

Distrito Federal

ELECTRODOMÉSTICOS
 Av. Plutarco Elias Cailles No. 1499
 Zacahuitzco MEXICO 09490 D.F.
 Tel: 01 55 5235 2323 • Fax: 01 55 5243 1397

CASA GARCIA
 Av. Patriotismo No. 875-B
 Mixcoac MEXICO 03910 D.F.
 Tel: 01 55 5563 8723 • Fax: 01 55 5615 1856

Nuevo Leon

FERNANDO SEPULVEDA REFACCIONES
 Ruperto Martínez No. 238 Ote.
 Centro MONTERREY, 64000 N.L.
 Tel: 01 81 8343 6700 • Fax: 01 81 8344 0486

Jalisco

SERVICIOS DE MANTENIMIENTO CASTILLO
 Garibaldi No. 1450
 Ladrón de Guevara
 GUADALAJARA 44660 Jal.
 Tel: 01 33 3825 3480 • Fax: 01 33 3826 1914

<p>Modelos: 58160, 58161, 58162, 58163, 58164, 58165 58160</p>	<p>Tipo: B70 B70</p>	<p>Características Eléctricas: 120 V~ 60 Hz 3.0 A Max 127 V~ 60 Hz 500 W</p>
<p align="center">Los modelos incluidos en el instructivo de Uso y Cuidado pueden ir seguidos o no por un sufijo correspondiente a una o varias letras del alfabeto y sus combinaciones, separadas o no por un espacio, coma, diagonal, o guión. Como ejemplos los sufijos pueden ser: "Y" y/o "MX" y/o "MXY" y/o "Z".</p>		