

**READ BEFORE USE
LIRE AVANT UTILISATION
LEA ANTES DE USAR**

Visit www.hamiltonbeach.com for our complete line of products and Use and Care Guides – as well as delicious recipes, tips, and to register your product online!

Rendez-vous sur www.hamiltonbeach.ca pour notre liste complète de produits et de nos manuels utilisateur – ainsi que nos délicieuses recettes, nos conseils et pour enregistrer votre produit en ligne !

¡Visite www.hamiltonbeach.com.mx para obtener nuestra línea completa de productos y las Guías de Uso y Cuidado, además de deliciosas recetas, consejos y para registrar su producto en línea!

Questions?
Please call us – our friendly associates are ready to help.
USA: 1.800.851.8900

Questions ?
N'hésitez pas à nous appeler – nos associés s'empresseront de vous aider.
CAN : 1.800.267.2826

¿Preguntas?
Por favor llámenos – nuestros amables representantes están listos para ayudar.
MEX: 01 800 71 16 100
Le invitamos a leer cuidadosamente este instructivo antes de usar su aparato.

Hamilton Beach®



2-Way FlexBrew® Coffeemaker Cafetière à double usage FlexBrew^{MD} Cafetera Doble FlexBrew®

English	2
Français.....	17
Español	33

IMPORTANT SAFEGUARDS

When using electrical appliances, basic safety precautions should always be followed to reduce the risk of fire, electric shock, and/or injury to persons, including the following:

1. Read all instructions.
2. Do not touch hot surfaces. Use handles or knobs. Care must be taken, as burns can occur from touching hot parts or from spilled, hot liquid.
3. To protect against electric shock, do not place cord, plug, or coffeemaker in water or other liquid.
4. Close supervision is necessary when any appliance is used by or near children.
5. Unplug from outlet when either the coffeemaker or clock is not in use and before cleaning. Allow to cool before putting on or taking off parts and before cleaning the appliance.
6. Coffeemaker must be operated on a flat surface away from the edge of counter to prevent accidental tipping.
7. Do not operate any appliance with a damaged cord or plug, or after the appliance malfunctions or is dropped or damaged in any manner. Call our toll-free customer service number for information on examination, repair, or adjustment.
8. The use of accessory attachments not recommended by the appliance manufacturer may cause injuries.
9. Do not use outdoors.
10. Do not let cord hang over edge of table or counter or touch hot surfaces, including stove.
11. Do not place coffeemaker on or near a hot gas or electric burner or in a heated oven.
12. The carafe is designed for use with this coffeemaker. It must never be used on a range top or in a microwave oven.
13. Do not set a hot carafe on a wet or cold surface.
14. Do not use a cracked carafe or one with loose or weakened handle.
15. Do not clean carafe with cleansers, steel wool pads, or other abrasive materials.
16. Be certain carafe lid is securely in place during brew cycle and when pouring coffee. Do not use force when placing lid on carafe.
17. To disconnect coffeemaker, turn controls to OFF (O) and then remove plug from wall outlet.
18. **WARNING!** To reduce the risk of fire or electric shock, do not remove the bottom cover. No user-serviceable parts are inside. Repair should be done by authorized service personnel only.
19. Do not use appliance for other than intended use.
20. **CAUTION!** Cut Hazard: Removable K-Cup®* pack holder contains a sharp blade. Use caution when handling.
21. **CAUTION!** Cut Hazard: Piercing nozzle is sharp. Use caution when cleaning.

SAVE THESE INSTRUCTIONS!

*K-Cup is a registered trademark of Keurig, Inc. Use of the K-Cup trademark does not imply any affiliation with or endorsement by Keurig, Inc.

Other Consumer Safety Information

This appliance is intended for household use only.

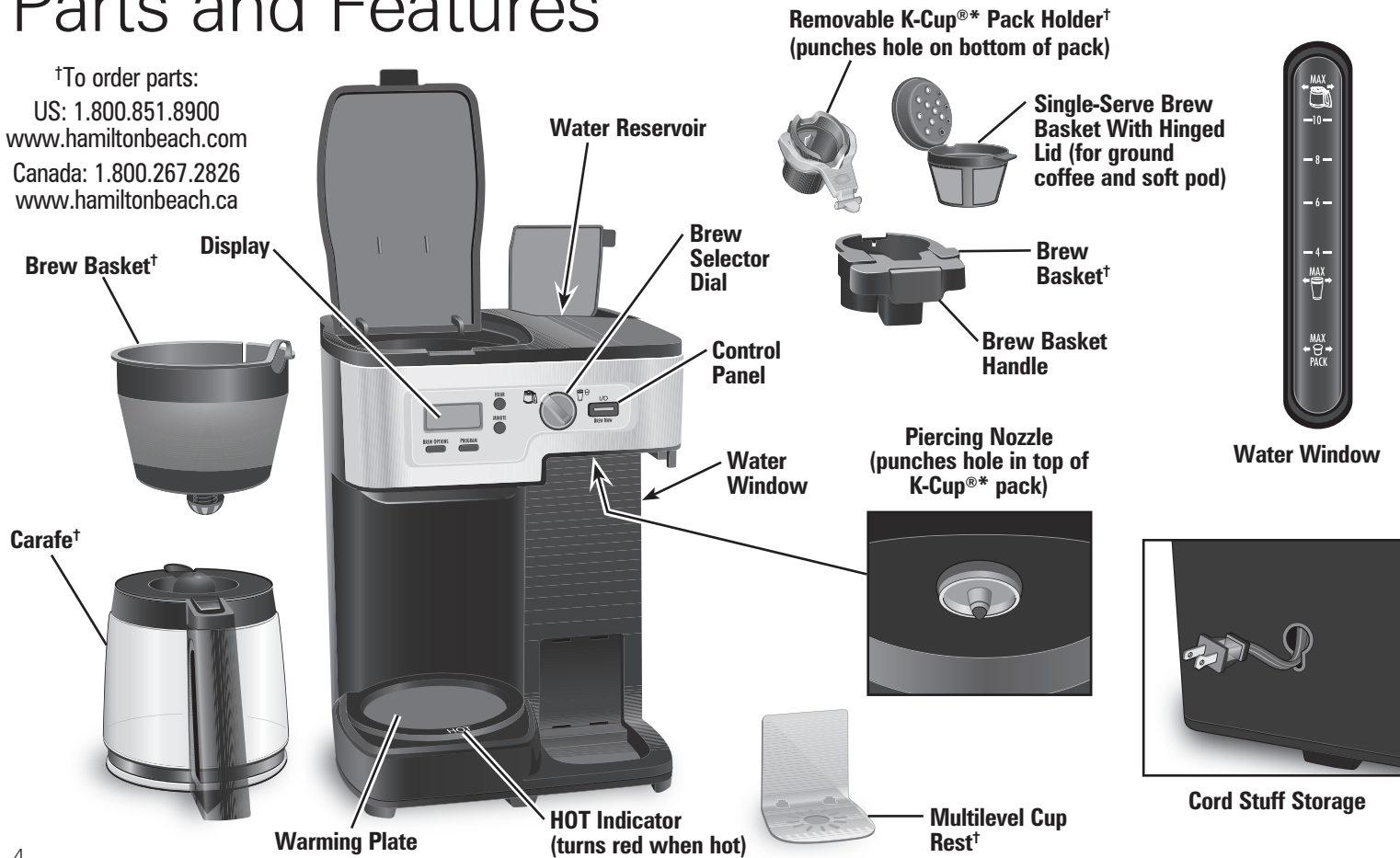
WARNING! Shock Hazard: This appliance has a polarized plug (one wide blade) that reduces the risk of electric shock. The plug fits only one way into a polarized outlet. Do not defeat the safety purpose of the plug by modifying the plug in any way or by using an adapter. If the plug does not fit fully into the outlet, reverse the plug. If it still does not fit, have an electrician replace the outlet.

The length of the cord used on this appliance was selected to reduce the hazards of becoming tangled in or tripping over a longer cord. If a longer cord is necessary, an approved extension cord may be used. The electrical rating of the extension cord must be equal to or greater than the rating of the appliance. Care must be taken to arrange the extension cord so that it will not drape over the countertop or tabletop where it can be pulled on by children or accidentally tripped over.

To avoid an electrical circuit overload, do not use another high-wattage appliance on the same circuit with your appliance.

Parts and Features

†To order parts:
 US: 1.800.851.8900
 www.hamiltonbeach.com
 Canada: 1.800.267.2826
 www.hamiltonbeach.ca



How to Use Single-Serve Side – Brewing K-Cup®* Packs

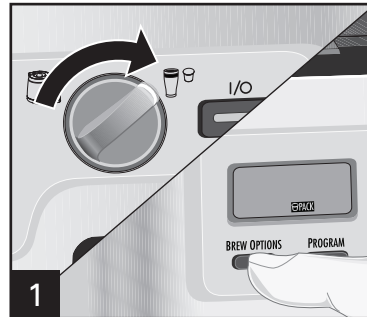
⚠ WARNING Burn Hazard.

To avoid contact with hot coffee or water:

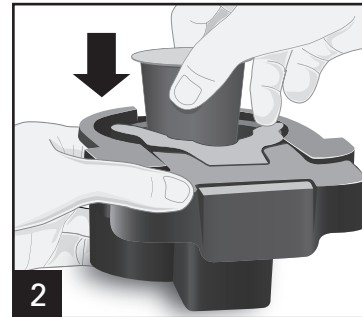
- Do not use more than 10 oz. (300 ml) of water for K-Cup®* pack. Adding too much water to the water reservoir will cause an error message to appear in the display, along with a long beep. Place carafe on warming plate. Turn brew selector dial to Carafe (☕) and push **BREW NOW** button to remove water. Wait for 3 beeps and blue power light to turn off. Restart the Single-Serve process.
- Fill reservoir with cup or travel mug of water into which the coffee will be brewed.
- Fully insert cup or travel mug under brew basket.
- For best results, use K-Cup®* packs sold by Green Mountain Coffee®†.

NOTES:

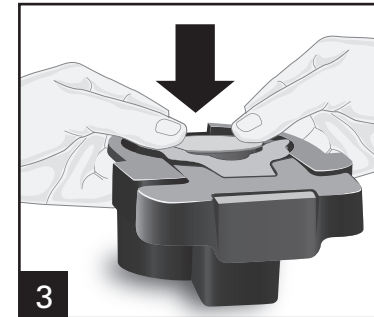
- The unit will only brew on one side at a time.
- For Hotter Coffee: Rinse the mug with hot water before brewing.
- The Brew Mode selection will stay in the last mode used, unless unplugged.
- Coffee may continue to drip after brewing is complete (after 3 beeps) when using finely ground coffee.
- Programming mode cannot be used on Single-Serve side.



1 Plug in coffeemaker. Rotate brew selector dial to the right to select Single-Serve (☕). Press **BREW OPTIONS** button to select ☕.



2 Remove brew basket. Place a pack into the K-Cup®* pack holder.
CAUTION! Cut Hazard: K-Cup®* pack holder has a sharp blade. Handle with care.

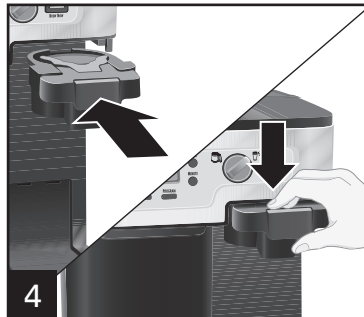


3 Press down on edge of the pack until the pack snaps into place and hole is punched in the bottom. Do not remove foil.

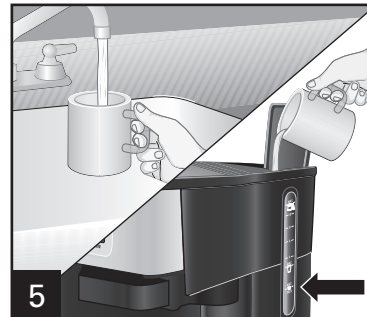
†Green Mountain Coffee is a trademark of Green Mountain Coffee Roasters, Inc. Use of the Green Mountain Coffee trademark does not imply any affiliation with or endorsement by Green Mountain Coffee Roasters, Inc.

How to Use Single-Serve Side –

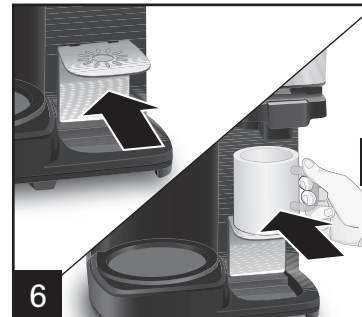
Brewing K-Cup®* Packs (cont.)



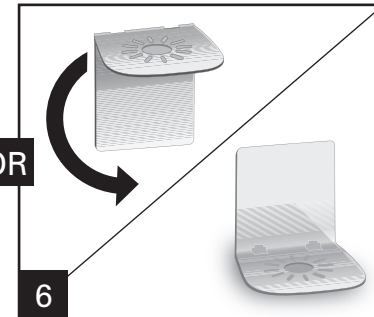
Press down on brew basket handle to lock and puncture the foil lid on the pack.



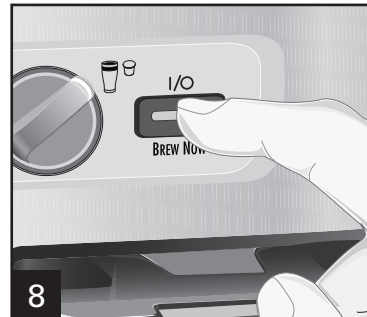
Fill reservoir with cup or travel mug into which the coffee will be brewed (maximum 10 oz. water).



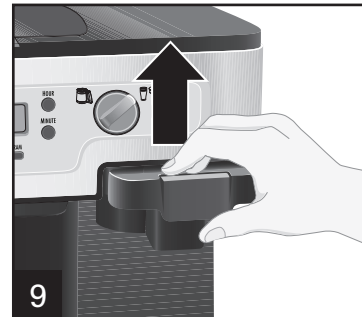
Ensure the multilevel/flip cup rest is firmly secured and snapped into place.



For removal of cup rest: Push up cup rest; tilt up. Push down to release.



Press ON/OFF (I/O) button. The blue power ON indicator light will light up to show that the coffeemaker is on. **CAUTION!** Burn Hazard: Warming plate is hot even when brewing on Single-Serve side.



After brewing, pull up on brew basket handle to unlock and remove. Coffeemaker will shut off automatically and light will go off when brew cycle is completed (3 beeps will sound). Allow 2 minutes to cool in between brews. Brew basket and K-Cup®* pack holder should be rinsed after every use. Pressing down on the brew basket handle punctures the pack before brewing.

How to Use Single-Serve Side – Brewing Coffee Grounds or Soft Pods

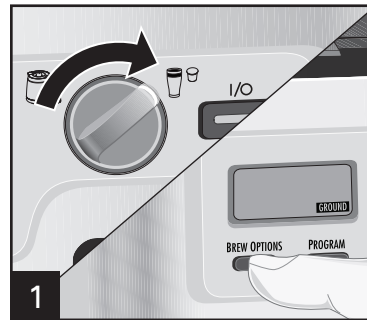
⚠ WARNING Burn Hazard.

To avoid contact with hot coffee or water:

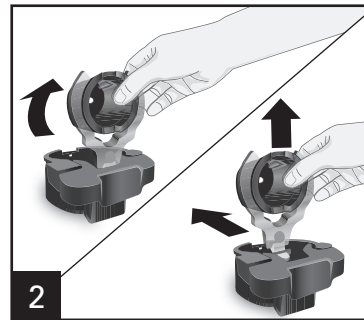
- Do not use more than 14 oz. (410 ml) of water for ground coffee or Melitta® Pods. Adding more than 14 oz. of water to the water reservoir will cause an error message to appear in the display, along with a long beep. Place carafe on warming plate. Turn brew selector dial to Carafe (☕) and push **BREW NOW** button to remove water. Wait for 3 beeps and blue power light to turn off. Restart the Single-Serve process.
- Fill reservoir with cup or travel mug of water into which the coffee will be brewed.
- Fully insert cup or travel mug under brew basket.
- Remove K-Cup®** pack holder before adding coffee grounds to brew basket.

This unit can be used with Melitta®§ soft pods, available in the coffee aisle of your local grocery store.

NOTE: It can take up to 2 minutes before brewed coffee starts dispensing into your cup or travel mug.

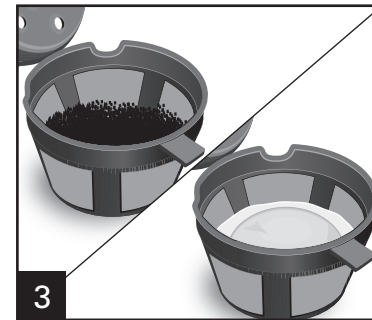


1 Plug in coffeemaker. Rotate brew selector dial to the right to select Single-Serve (☕). Press **BREW OPTIONS** button to select **GROUND** mode.



2 To remove K-Cup®** pack holder, grasp the K-Cup®** pack holder cup; slide towards the back and then lift out.

CAUTION! Cut Hazard: Removable K-Cup®** pack holder has a sharp blade. Handle with care.



3 Add ground coffee (3 Tablespoons [45 ml] is the MAX amount of ground coffee for brew basket) or soft pod to brew basket.

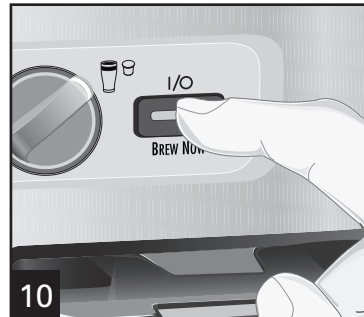
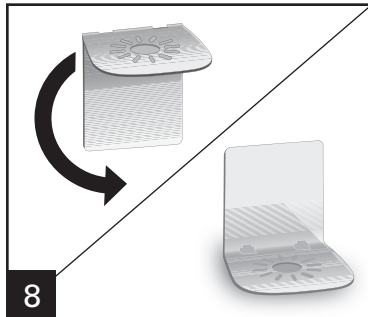
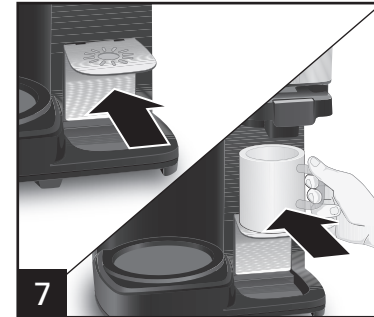
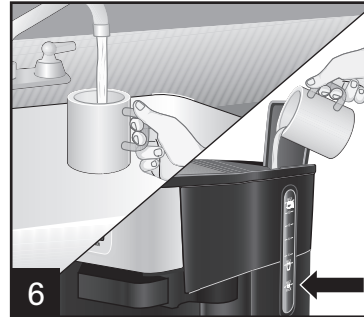
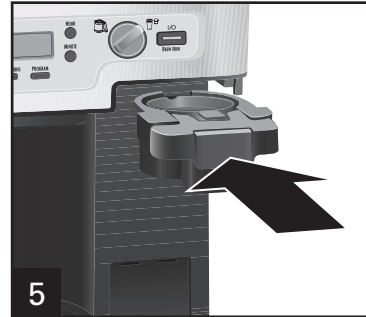
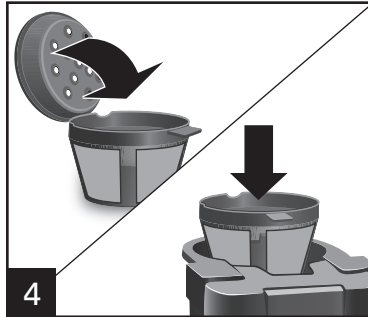
WARNING! Burn Hazard: To avoid overflow, keep ground coffee below MAX fill line.

§Melitta is a registered trademark of Melitta Haushaltsprodukte GmbH & CoKG. Use of the Melitta trademark does not imply any affiliation with or endorsement by Melitta Haushaltsprodukte GmbH & CoKG.

7

How to Use Single-Serve Side –

Brewing Coffee Grounds or Soft Pods (cont.)



Fill reservoir with cup or travel mug into which the coffee will be brewed (maximum 14 oz. water).

Ensure the multilevel/flip cup rest is firmly secured and snapped into place.

CAUTION! Burn Hazard: Warming plate is hot even when brewing on Single-Serve side.

Coffeemaker will shut off automatically and light will go off when brew cycle is completed (3 beeps will sound).

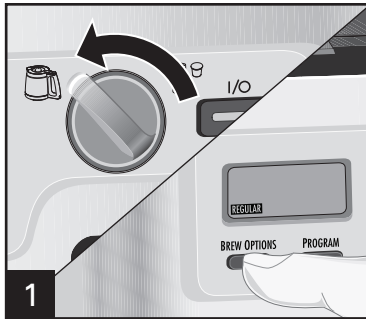
Press the ON/OFF (I/O) button again to STOP brewing midcycle. Allow 2 minutes to cool in between brews.

Brew basket should be rinsed after every use.

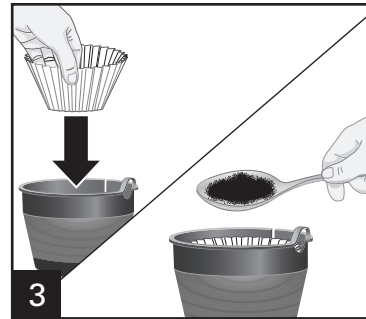
How to Use Carafe Side

AUTOMATIC SHUTOFF: The coffeemaker will automatically shut off 2 hours after brew cycle is complete.

NOTE: The unit will only brew on one side at a time.

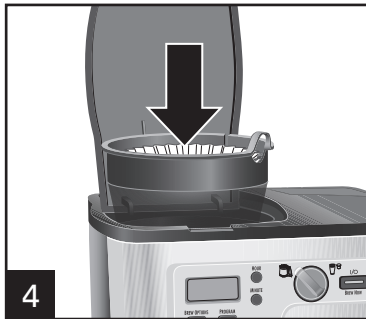


1 Plug in coffeemaker. Rotate dial to the left to select carafe (☕). Press **BREW OPTIONS** button to select **REGULAR** or **BOLD** modes. **REGULAR** is the default.



3 Place a cupcake-style paper filter in brew basket. A permanent filter may also be used.

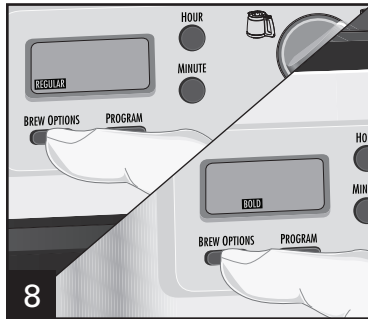
For each cup of coffee being made, place one level Tablespoon of coffee into filter. Please visit hamiltonbeach.com for a list of parts, accessories, and replacement parts that are available for your coffeemaker.



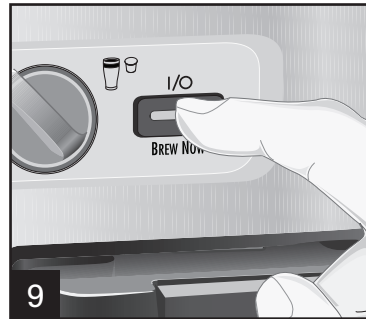
7 Place carafe, with carafe lid attached, on warming plate.

9

How to Use Carafe Side (cont.)



For enhanced full/strong-flavored coffee, press **BREW OPTIONS** button until **BOLD** is displayed.



Press **I/O (ON/OFF)** button to start. Press **I/O (ON/OFF)** button again to turn off.

PAUSE AND SERVE:

To serve coffee during the brewing cycle, remove carafe and pour a cup. By removing the carafe, the flow of coffee from the bottom of the filter basket will stop.

WARNING! Burn Hazard. The carafe must be replaced within 20 seconds of being removed to prevent overflow.

NOTES:

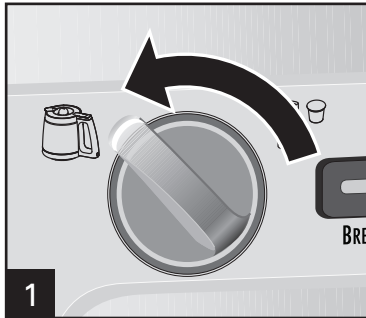
- If the coffeemaker is not turned off manually, it will automatically shut off in 2 hours.
- **BOLD** mode will require additional time to complete a brewing cycle. Coffeemaker remembers last brew option selected. If unplugged, coffeemaker defaults to **REGULAR**.

Tips for Best-Tasting Coffee

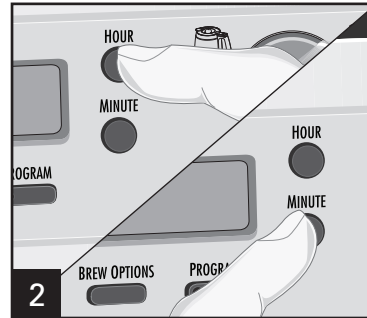
- All coffees are made from either arabica beans or robusta beans, or some combination of both. Arabica beans are slightly more expensive, but tend to produce better-tasting coffee.
- Ground coffee will become stale much faster than whole beans. If buying preground coffee, choose a package with the latest expiration date or a smaller quantity.
- If grinding whole beans, set your coffee grinder on a fine/medium grind. This will yield the best-tasting grounds. Try to use freshly ground coffee within about a week of grinding.
- Using a water filter, filtered water, or bottled water will yield better-tasting coffee than tap water.
- Use approximately 1 tablespoon of grounds for each cup of coffee being made. To avoid overflow, use slightly less grounds (3/4 tablespoon [11 ml]) when brewing decaf or flavored coffees. Also, be aware that using coffee that is ground too finely may also cause the filter basket to overflow.
- Make sure your coffeemaker is clean. See "Care and Cleaning" sections.

Programming — For Carafe Side Only

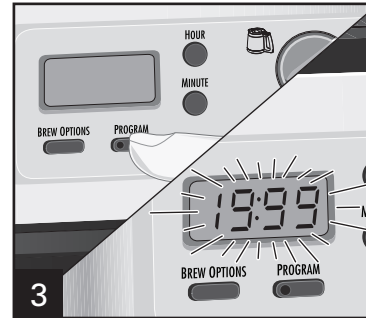
NOTE: The unit will only brew on one side at a time. Single-Serve side cannot be used while Carafe side is programmed.



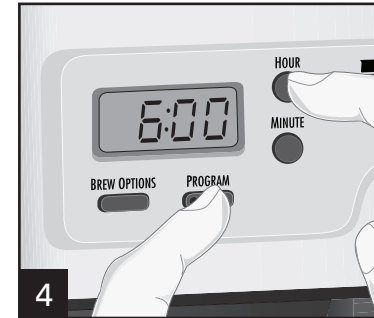
1 Rotate dial to the left to select carafe (☺).



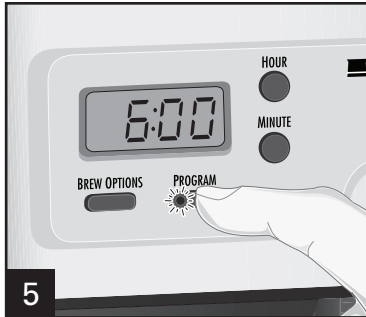
2 Press **HOUR** and then **MINUTE** to set clock.



3 Hold **PROGRAM** until clock flashes.



4 Continue holding **PROGRAM** button, press **HOUR** and **MINUTE** until the desired brewing start time is reached, and then release **PROGRAM** button.



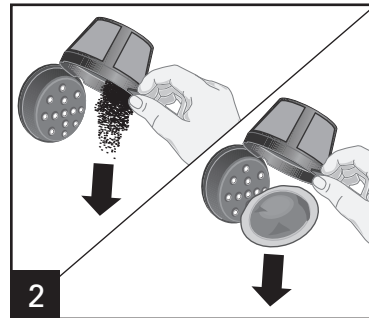
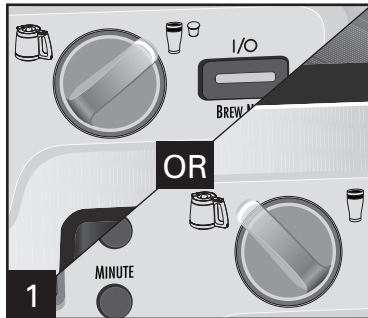
5 Press **PROGRAM** to activate automatic brewing. Green program light will illuminate to indicate the unit is programmed and will begin brewing at the selected start time.

Care and Cleaning

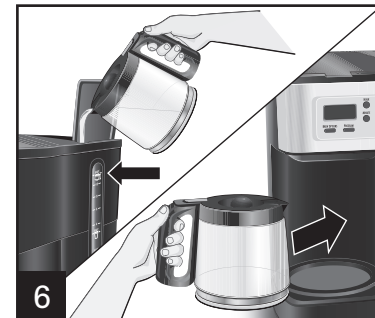
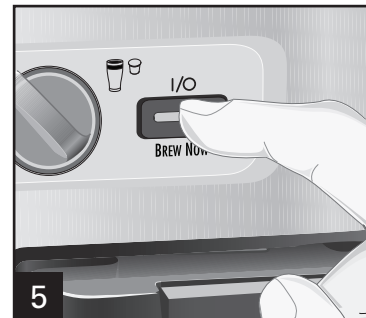
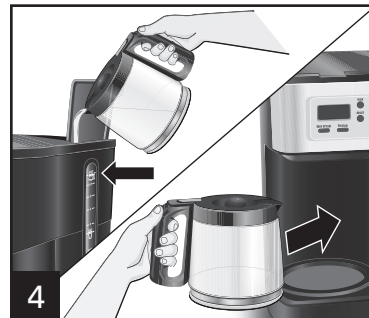
⚠ WARNING Shock Hazard.

Do not immerse cord, plug, or coffeemaker in any liquid.

All coffeemakers should be cleaned at least once a month (once a week for areas with hard water).



DO NOT use the "SANI" setting when washing in the dishwasher. "SANI" cycle temperatures could damage your product.



CARAFE-SIDE ONLY

Pour 1/2 cup (125 ml) of plain white vinegar and 1/2 cup (125 ml) of cold water into water reservoir.

Press **I** (ON) button. Press **O** (OFF) button after 30 seconds and wait 30 minutes. Press **I** (ON) button. Press **O** (OFF) button when finished.

Run 2-3 more brew cycles with CLEAN WATER only. Allow to cool between cycles.

Troubleshooting – Single-Serve Side

PROBLEM	PROBABLE CAUSE/SOLUTION
Err message on display.	<ul style="list-style-type: none"> • Too much water in the water reservoir. Turn brew selector dial to carafe (☕) and push BREW NOW button to remove water. Wait for 3 beeps and blue power light to turn off. Restart the Single-Serve process.
Weak coffee.	<ul style="list-style-type: none"> • Not enough ground coffee used. If using pods, make sure the pod(s) are centered in the pod basket and/or brew basket and use two pods for stronger coffee. See “How to Use Single-Serve Side.”
Coffee overflows from brew basket, travel mug, or regular mug.	<ul style="list-style-type: none"> • Excessive amount of water in reservoir. Use travel mug or mug into which coffee will be brewed to fill reservoir. Use slightly less grounds when brewing decaffeinated, flavored, or finely ground coffee. Or use medium ground coffee.
Coffee tastes bad.	<ul style="list-style-type: none"> • Coffeemaker needs cleaning. • Coffee ground too coarsely or too finely. Set coffee grinder to automatic drip grind. • Poor coffee quality and freshness. • Poor water quality (use filtered or bottled water).
Water exits carafe side.	<ul style="list-style-type: none"> • Make sure selector dial is set to Single-Serve side.
Auto-start feature does not work with Single-Serve side.	<ul style="list-style-type: none"> • Auto-start feature is not designed to work with Single-Serve side. Program mode is for Carafe side only.
Clear water when brewing with K-Cup®*.	<ul style="list-style-type: none"> • Forgot to lock handle down, which pierces top foil of K-Cup®*.
Steam flows up across control panel.	<ul style="list-style-type: none"> • When brewing ground coffee with K-Cup®* holder assembly removed, steam will travel up across the control panel if the basket handle is pressed down. Leave the handle up for ground coffee or soft pods. • Do not exceed MAX water level for K-Cup®* pack brewing.

Troubleshooting – Carafe Side

PROBLEM	PROBABLE CAUSE/SOLUTION
Brew basket overflows or coffee brews slowly.	<ul style="list-style-type: none">• Excessive amounts of ground coffee.• Decaffeinated and/or coffee ground too finely can cause overflow. Use slightly less grounds when brewing decaffeinated, flavored, or finely ground coffee. Or use medium ground coffee.• Coffeemaker needs cleaning. <p>If using a paper filter:</p> <ul style="list-style-type: none">• Coffee grounds between paper filter and brew basket.• Paper filter not open and in proper position.• Rinse brew basket before inserting paper filter so the edges will remain pressed against the sides of the basket.• Poor-quality paper filter.
Coffee leaks onto base.	<ul style="list-style-type: none">• Carafe removed from warming plate for more than 20 seconds during the brewing cycle.
Coffee tastes bad.	<ul style="list-style-type: none">• Coffeemaker needs cleaning.• Coffee ground too coarsely or too finely. Use medium ground coffee.• Coffee-to-water ratio unbalanced. Adjust for personal preference.• Poor coffee quality and freshness.• Poor water quality (use filtered or bottled water).

Troubleshooting – Carafe Side (cont.)

PROBLEM

PROBABLE CAUSE/SOLUTION

Coffee sediment in cup.

- For Carafe side, use a high-quality, basket-style paper filter instead of optional permanent coffee filter.
- For Single-Serve side, try a more coarsely ground coffee.

Coffee not brewing or unit will not turn on.

- Carafe not positioned on warming plate.
- Water reservoir is empty.
- Unit is unplugged.
- Power outage.
- Power surge. Unplug; then plug the unit back in.
- Clock requires reset after power outage.

Longer than normal brew time.

- Mineral deposits can build up in the pump of your coffeemaker. Periodic cleaning of the inside of the unit is recommended. More frequent cleaning may be necessary, depending on the hardness of your water. See “Care and Cleaning” section. **NOTE:** Do not disassemble the unit.

Water exits the Single-Serve side when brewing with the carafe.

- Make sure selector dial is set to Carafe side.

Limited Warranty

This warranty applies to products purchased and used in the U.S. and Canada. This is the only express warranty for this product and is in lieu of any other warranty or condition.

This product is warranted to be free from defects in material and workmanship for a period of one (1) year from the date of original purchase. During this period, your exclusive remedy is repair or replacement of this product or any component found to be defective, at our option; however, you are responsible for all costs associated with returning the product to us and our returning a product or component under this warranty to you. If the product or component is no longer available, we will replace with a similar one of equal or greater value.

This warranty does not cover glass, filters, wear from normal use, use not in conformity with the printed directions, or damage to the product resulting from accident, alteration, abuse, or misuse. This warranty extends only to the original consumer purchaser or gift recipient. Keep the original sales receipt, as proof of purchase is required to make a warranty claim. This warranty is void if the product is used for other than single-family household use or subjected to any voltage and waveform other than as specified on the rating label (e.g., 120V ~ 60 Hz).

We exclude all claims for special, incidental, and consequential damages caused by breach of express or implied warranty. All liability is limited to the amount of the purchase price. **Every implied warranty, including any statutory warranty or condition of merchantability or fitness for a particular purpose, is disclaimed except to the extent prohibited by law, in which case such warranty or condition is limited to the duration of this written warranty.** This warranty gives you specific legal rights. You may have other legal rights that vary depending on where you live. Some states or provinces do not allow limitations on implied warranties or special, incidental, or consequential damages, so the foregoing limitations may not apply to you.

To make a warranty claim, do not return this appliance to the store. Please call 1.800.851.8900 in the U.S. or 1.800.267.2826 in Canada or visit hamiltonbeach.com in the U.S. or hamiltonbeach.ca in Canada. For faster service, locate the model, type, and series numbers on your appliance.

PRÉCAUTIONS IMPORTANTES

Pour utiliser un appareil électroménager, vous devez toujours prendre des mesures élémentaires de sécurité pour réduire le risque d'incendie, d'électrocution et/ou de blessure corporelle, en particulier les mesures suivantes :

1. Lire toutes les instructions.
2. Ne pas toucher les surfaces chaudes. Utiliser les poignées ou les boutons. La prudence s'impose car des brûlures peuvent survenir si on touche des pièces chaudes ou si on renverse des liquides chauds.
3. Pour protéger contre le choc électrique, ne pas placer le cordon, la fiche du cordon ou la cafetière dans l'eau ou autre liquide.
4. Une bonne surveillance est nécessaire lorsqu'un appareil est utilisé par des enfants ou près d'eux.
5. Débrancher l'appareil de la prise de courant lorsque la cafetière ou la minuterie n'est pas utilisée et avant le nettoyage. Laisser refroidir l'appareil avant de placer ou de retirer des pièces, et avant de le nettoyer.
6. La cafetière doit être utilisée sur une surface droite loin du bord du comptoir, pour empêcher le basculement accidentel.
7. Ne pas faire fonctionner un appareil avec un cordon ou une fiche endommagé, ou lorsque l'appareil ne fonctionne pas bien ou a été endommagé d'une manière quelconque. Appeler notre numéro sans frais de service à la clientèle pour des renseignements concernant l'examen, la réparation ou l'ajustement.
8. L'utilisation d'accessoires non recommandés par le fabricant d'électro-ménagers peut causer des blessures.
9. Ne pas utiliser à l'extérieur.
10. Ne pas laisser le cordon pendre par dessus le bord d'une table ou d'un comptoir, ou toucher des surfaces chaudes, y compris la cuisinière.
11. Ne placez jamais votre appareil sur ou à proximité d'un brûleur électrique ou à gaz, ou dans un four chaud.
12. La verseuse à café est conçue exclusivement pour cette cafetière. Elle ne doit jamais être utilisée sur une table de cuisson ou dans un four à micro-ondes.
13. Ne pas placer la verseuse à café chaude sur une surface mouillée ou froide.
14. Ne pas utiliser une verseuse à café fissurée ou avec une poignée lâche ou usée.
15. Ne pas nettoyer la verseuse à café avec de la poudre à nettoyer, des tampons métalliques ou autres matériaux abrasifs.
16. Assurez-vous que le couvercle est bien fermé durant la préparation du café et lorsque vous le versez. Ne forcez pas en plaçant le couvercle sur la verseuse.
17. Pour débrancher la cafetière, placer l'interrupteur à la position ARRÊT (O), puis enlever la fiche de la prise de courant.
18. **AVERTISSEMENT** : Pour réduire le risque d'incendie ou de choc électrique, ne pas enlever le dessous de la cafetière. Aucune pièce à l'intérieur n'est réparable par l'utilisateur. Les réparations doivent être faites par du personnel d'entretien autorisé seulement.
19. Ne pas utiliser cet appareil pour un autre usage que celui auquel il est destiné.
20. **MISE EN GARDE** ! Risque de coupures. Le support amovible de la dosette K-Cup^{MD}* contient une lame coupante. Manipuler avec soin.
21. **MISE EN GARDE** ! Risque de coupures. Le perforateur est coupant. Nettoyer avec prudence.

CONSERVER CES INSTRUCTIONS !

*K-Cup est une marque déposée de Keurig, Inc. L'usage du nom de la marque de commerce K-Cup n'implique aucune affiliation et aucun endossement par Keurig, Inc.

17

Autres consignes de sécurité pour le consommateur

Cet appareil est destiné à un usage domestique uniquement.

AVERTISSEMENT ! Risque d'électrocution : Cet appareil électroménager possède une fiche polarisée (une broche large) qui réduit le risque d'électrocution. Cette fiche n'entre que dans un seul sens dans une prise polarisée. Ne contrecarrez pas l'objectif sécuritaire de cette fiche en la modifiant de quelque manière que ce soit ou en utilisant un adaptateur. Si vous ne pouvez pas insérer complètement la fiche dans la prise, inversez la fiche. Si elle refuse toujours de s'insérer, faire remplacer la prise par un électricien.

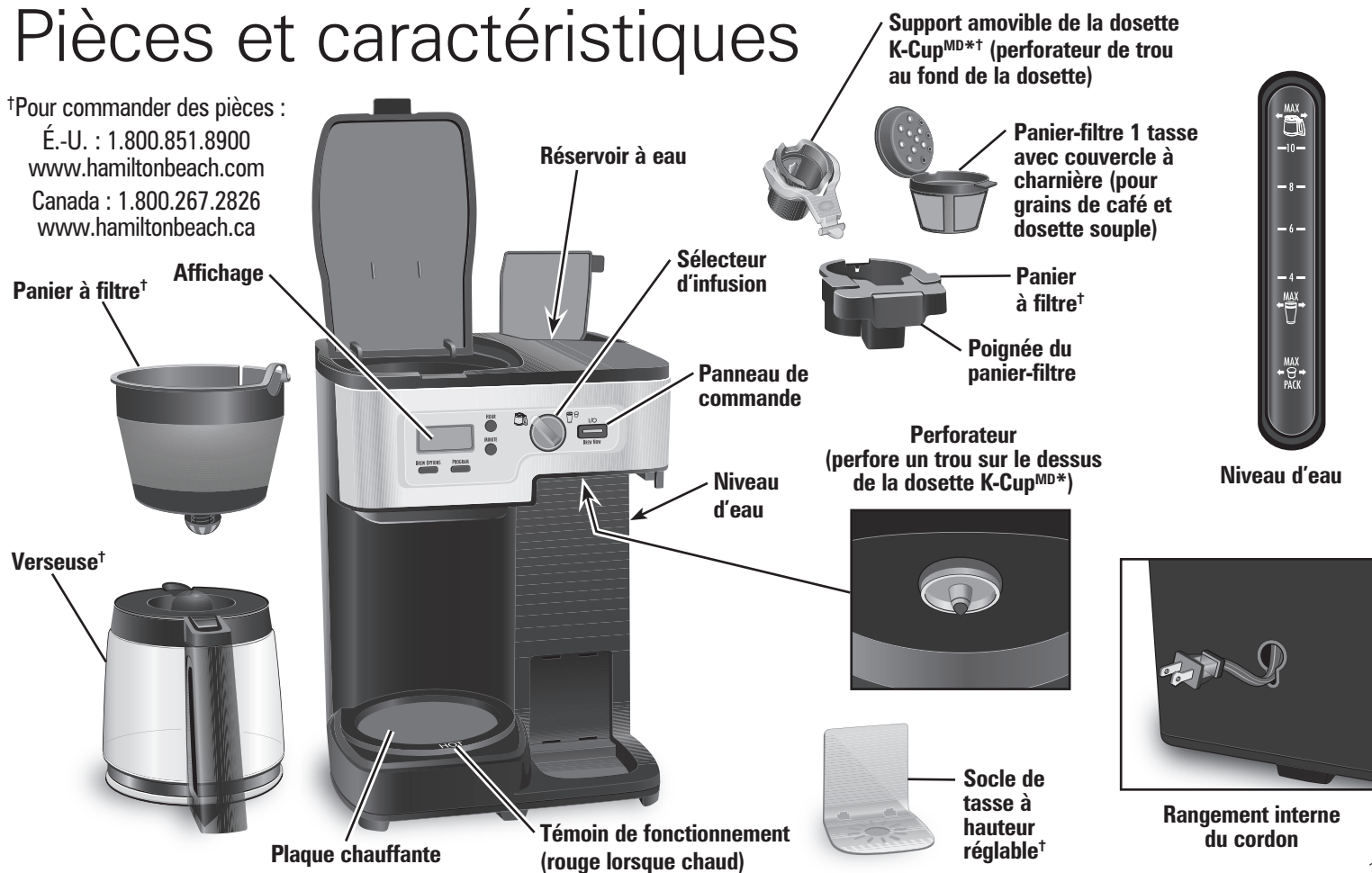
La longueur du cordon installé sur cet appareil a été sélectionnée afin de réduire les risques d'enchevêtrement ou de faux pas causés par un fil trop long. L'utilisation d'une rallonge approuvée est permise si le cordon est trop court. Les caractéristiques électriques de la rallonge doivent être équivalentes ou supérieures aux caractéristiques de l'appareil. Prendre toutes les précautions nécessaires pour installer la rallonge de manière à ne pas la faire courir sur le comptoir ou sur une table pour éviter qu'un enfant ne tire sur le cordon ou trébuche accidentellement.

Pour éviter la surcharge du circuit électrique, ne pas utiliser un autre appareil à haute puissance sur le même circuit que cet appareil.

Pièces et caractéristiques

†Pour commander des pièces :

É.-U. : 1.800.851.8900
www.hamiltonbeach.com
Canada : 1.800.267.2826
www.hamiltonbeach.ca



Mode d'emploi pour côté 1 tasse –

Dosettes d'infusion K-Cup^{MD*}

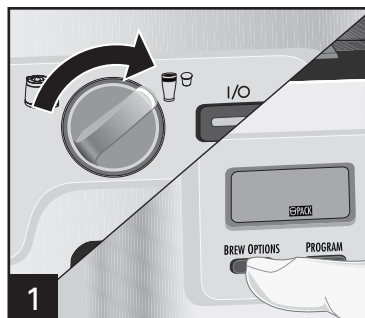
⚠ **AVERTISSEMENT** Risque de brûlure.

Pour éviter tout contact avec le café ou l'eau brûlant :

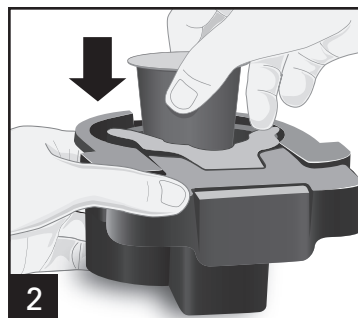
- Ne pas utiliser plus de 300 ml (10 oz) d'eau avec une dosette K-Cup^{MD*}. Une trop grande quantité d'eau ajoutée au réservoir sera indiquée par un message d'erreur (Err) à l'afficheur et par un long signal sonore. Déposer la carafe sur la plaque chauffante. Tourner le sélecteur d'infusion sur « Carafe » (☕) et pousser le bouton **BREW NOW** (infuser maintenant) pour vider l'eau du réservoir.
- Remplir le réservoir d'eau avec la tasse ou le gobelet à emporter dans laquelle sera infusé le café.
- Insérer complètement la tasse ou le gobelet à emporter sous le panier-filtre.
- Pour des résultats optimaux, utiliser les dosettes K-Cup^{MD*} vendues par Green Mountain Coffee^{MD†}.

NOTES :

- La cafetière n'infuse qu'un côté à la fois.
- Pour un café plus chaud : Rincer la grande tasse à café à l'eau chaude avant l'infusion
- Le mode de sélection d'infusion utilisé lors de la dernière infusion se répétera, sauf si la cafetière a été débranchée.
- Du café peut encore couler après la fin du cycle d'infusion (après les 3 bips) si l'on utilise une mouture fine de café.
- Le mode de programmation ne peut pas être utilisé pour le côté 1 tasse.

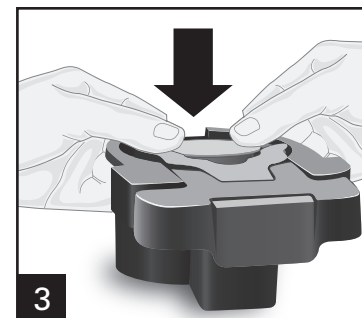


Brancher la cafetière. Tourner le sélecteur d'infusion vers la droite pour infuser 1 tasse (☕). Appuyer sur **BREW OPTIONS** (options d'infusion) pour sélectionner le mode ☕.



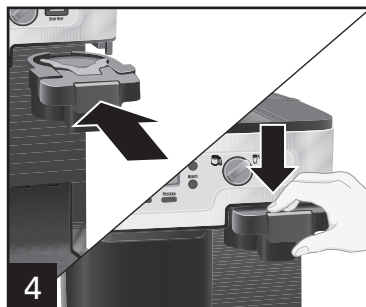
Retirer le panier à filtre. Déposer la dosette dans le support de la dosette K-Cup^{MD*}.

MISE EN GARDE ! Risque de coupures. Le support amovible de la dosette K-Cup^{MD*} contient une lame coupante. Manipuler avec soin. Appuyer sur le contour de la dosette et l'enfoncer jusqu'à ce que celle-ci s'insère correctement et que le fond soit perforé. Ne pas retirer la feuille métallique.

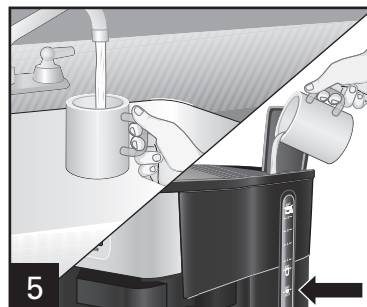


Mode d'emploi pour côté 1 tasse –

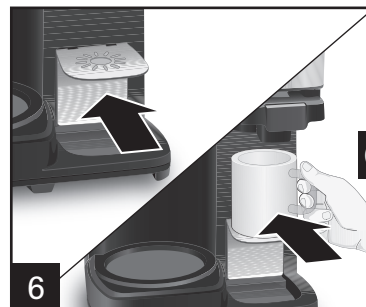
Dosettes d'infusion K-Cup^{MD}* (suite)



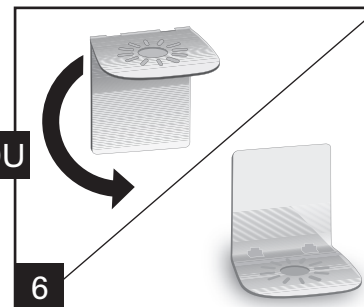
4
Abaisser la poignée du panier-filtre pour verrouiller et perforer la feuille métallique de la dosette.



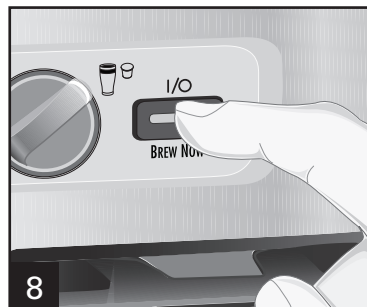
5
Remplir le réservoir avec la tasse ou le gobelet à emporter dans lequel sera infusé le café (295 ml [10 oz] d'eau max.).



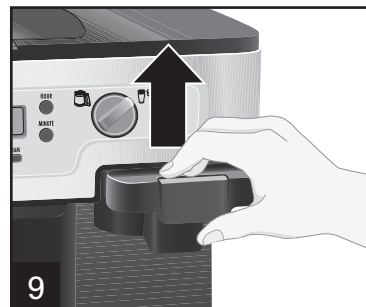
6
Assurez-vous que le socle de tasse à hauteur réglable et réversible soit correctement positionné et fixé.



7
Pour retirer le socle de tasse : Soulever le socle de tasse et l'incliner. Abaisser pour dégager.



8
Appuyer sur le bouton MARCHÉ/ARRÊT (I/O). Le voyant bleu d'alimentation s'allume pour indiquer que la cafetière est sous tension. **MISE EN GARDE !** Risque de brûlures. La plaque chauffante est chaude même pendant l'infusion du côté 1 tasse.



9
Après l'infusion, soulever la poignée du panier-filtre pour déverrouiller et retirer. La cafetière se coupe automatiquement et le voyant s'éteint lorsque le cycle d'infusion est terminé (3 bips se feront entendre). Laisser refroidir 2 minutes entre chaque cycle d'infusion. Le panier-filtre et le support de la dosette K-Cup^{MD}* doivent être rincés après chaque utilisation. L'abaissement de la poignée du panier-filtre perce un trou dans la dosette avant l'infusion.

Mode d'emploi pour côté 1 tasse –

Infusion de grains de café ou de dosettes souples

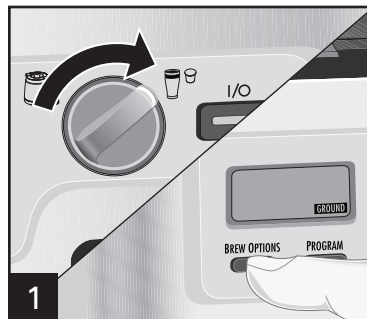
⚠ AVERTISSEMENT Risque de brûlure.

Pour éviter tout contact avec le café ou l'eau brûlant :

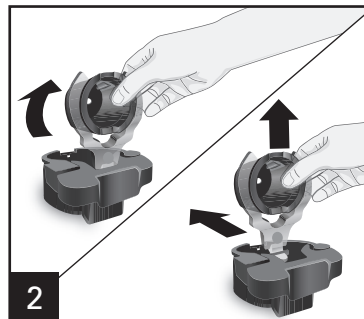
- Ne pas utiliser plus de 410 ml (14 oz) d'eau pour du café moulu ou les dosettes Melitta^{MD}. Plus de 410 ml (14 oz) d'eau ajoutée au réservoir sera indiquée par un message d'erreur (Err) à l'afficheur et par un long signal sonore. Déposer la carafe sur la plaque chauffante. Tourner le sélecteur d'infusion sur « Carafe » (☕) et pousser le bouton **BREW NOW** (infuser maintenant) pour vider l'eau du réservoir.
- Remplir le réservoir d'eau avec la tasse ou le gobelet à emporter dans laquelle sera infusé le café.
- Insérer complètement la tasse ou le gobelet à emporter sous le panier-filtre.
- Retirer le support de la dosette K-Cup^{MD}* avant d'ajouter du café moulu dans le panier-filtre.

Ce modèle doit être utilisé avec les dosettes Melitta^{MD}, en vente dans le rayon de café de votre épicerie.

REMARQUE : Il peut s'écouler jusqu'à 2 minutes avant que le café infusé commence à couler dans la tasse ou le gobelet à emporter.

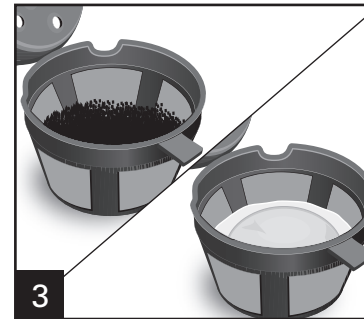


1 Brancher la cafetière. Tourner le sélecteur d'infusion vers la droite pour infuser 1 tasse (☕). Appuyer sur le bouton **BREW OPTIONS** (options d'infusion) pour sélectionner le mode **GROUND** (moulu).



2 Pour retirer le panier pour dosette K-Cup^{MD}*, tenir le panier pour dosette K-Cup^{MD}*, le glisser vers l'arrière puis soulever pour le retirer.

MISE EN GARDE ! Risque de coupures. Le support amovible de la dosette K-Cup^{MD}* contient une lame coupante. Manipuler avec soin.

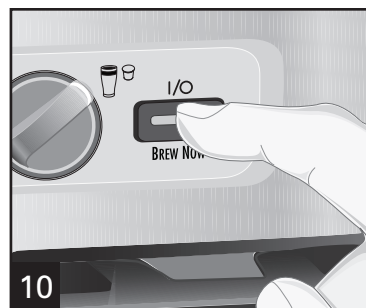
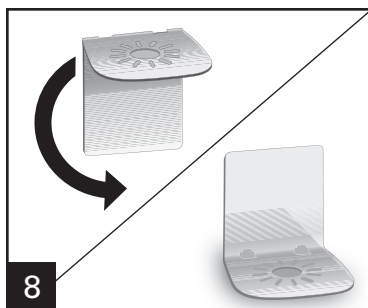
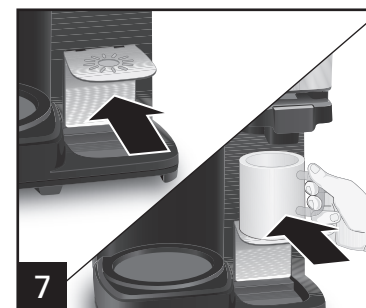
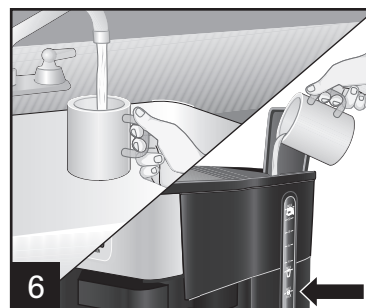
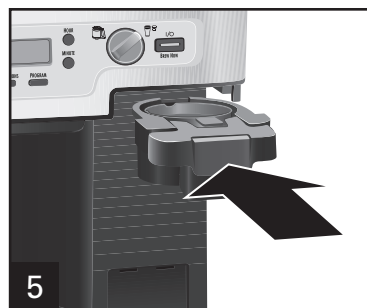
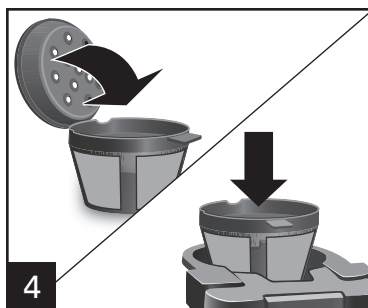


3 Ajouter du café moulu (45 ml [3 c. à soupe] est la quantité maximale de café moulu contenu dans le panier-filtre) ou une dosette dans le panier-filtre.

AVERTISSEMENT ! Risque du brûlure. Pour éviter le débordement, ne pas remplir de mouture de café au-delà de la ligne de remplissage **MAX**.

Mode d'emploi pour côté 1 tasse –

Infusion de grains de café ou de dosettes souples (suite)



Remplir le réservoir avec la tasse ou le gobelet à emporter dans lequel sera infusé le café (295 ml [10 oz] d'eau max.). Assurez-vous que le socle de tasse à hauteur réglable et réversible soit correctement positionné et fixé.

Appuyer sur le bouton MARCHÉ/ARRÊT (I/O). Le voyant bleu d'alimentation s'allume pour indiquer que la cafetière est sous tension.

MISE EN GARDE ! Risque de brûlures. La plaque chauffante est chaude même pendant l'infusion du côté 1 tasse.

La cafetière se coupe automatiquement et le voyant s'éteint lorsque le cycle d'infusion est terminé (3 bips se feront entendre).

Appuyer à nouveau sur le bouton MARCHÉ/ARRÊT (I/O) pour interrompre l'infusion à la moitié du cycle.

Laisser refroidir 2 minutes entre chaque cycle d'infusion.

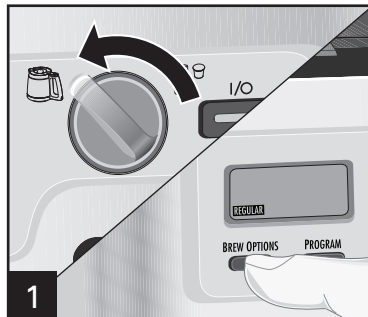
Le panier-filtre doivent être rincés après chaque utilisation.

23

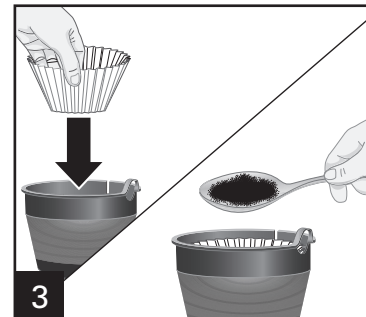
Mode d'emploi pour côté verseuse

ARRÊT AUTOMATIQUE : La cafetière s'arrête automatiquement 2 heures après d'infusion.

NOTE : L'appareil n'infuse qu'un côté à la fois.



1 Brancher la cafetière. Tourner le sélecteur vers la gauche pour choisir le côté verseuses (☺). Appuyer sur le bouton **BREW OPTIONS** (options d'infusion) pour sélectionner les modes **REGULAR** (régulier) ou **BOLD** (corsé). **REGULAR** (régulier) est le mode par défaut.



3 Pour chaque tasse de café à préparer, mettre une cuiller à soupe (15 ml) rase de café dans le filtre.

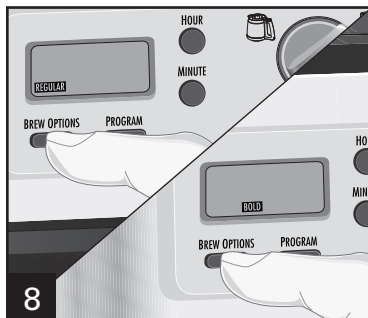
Veiller visiter www.hamiltonbeach.ca pour obtenir la liste des pièces, accessoires et pièces de rechange disponibles pour ce cafetière.

Placer un filtre à café de type « petit gâteau » dans le panier-filtre. Un filtre permanent peut aussi être utilisé.



7 Placer la verseuse munie de son couvercle sur le plateau de débordement.

Mode d'emploi pour côté verseuse (suite)



8 Pour obtenir un café plus corsé et plus savoureux, appuyer sur le bouton **BREW OPTIONS** (options d'infusion) jusqu'à ce que **BOLD** (corsé) s'affiche.



9 Appuyer sur le bouton **I/O** (marche/arrêt) pour démarrer le cycle d'infusion. Appuyer à nouveau sur le bouton **I/O** (marche/arrêt) pour éteindre la cafetière.

PAUSE ET SERVICE :

Pour servir le café pendant le cycle d'infusion, retirer la verseuse et verser le café dans une tasse. Le retrait de la verseuse permet l'interruption du débit de café provenant du fond du panier-filtre.

AVERTISSEMENT ! Risque de brûlure. Redéposer la verseuse en moins de 20 secondes pour éviter le débordement.

NOTES :

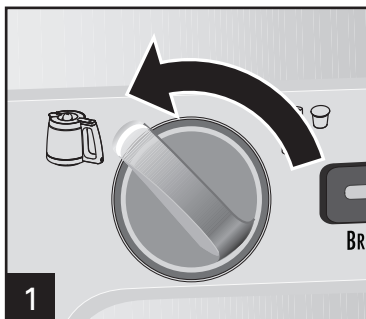
- Si la cafetière ne s'éteint pas manuellement, elle s'éteindra automatiquement dans 2 heures.
- Le cycle d'infusion du mode **BOLD** (corsé) est plus long. Le dernier mode d'infusion utilisé sera repris par la cafetière. Le mode **REGULAR** (régulier) est le mode par défaut repris par la cafetière lorsqu'elle a été débranchée.

Conseils pour obtenir un excellent café

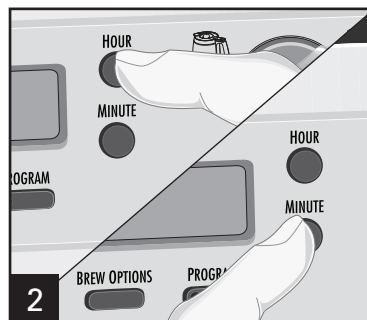
- Tous les cafés sont faits à partir de grains arabica ou robusta ou une combinaison des deux. Les grains Arabica sont légèrement plus coûteux, mais ont tendance à produire le meilleur café.
- Le café moulu s'évente beaucoup plus rapidement que les grains entiers. Si vous achetez du café moulu, choisissez un paquet avec la date d'expiration la plus tardive ou une plus petite quantité.
- Pour moulin des grains entiers, réglez votre moulin à café sur un réglage fine / moyen. Ceci donnera des moutures au meilleur arôme. Essayez d'utiliser du café fraîchement moulu dans la semaine qui suit.
- Utilisez un filtre à eau, de l'eau filtrée ou en bouteille donne un café de meilleur arôme que d'utiliser de l'eau du robinet.
- Utilisez environ 1 cuillère à soupe (15 ml) de café moulu pour chaque tasse de café à infuser. Pour le café décaféiné et les cafés aromatisés, utilisez un peu moins de café moulu (3/4 cuillère à soupe [11 ml]) pour éviter les débordements. D'autre part, utiliser du café moulu trop finement peut causer le débordement du panier-filtre.
- Assurez-vous que la cafetière est propre. Consultez les chapitres « Entretien et nettoyage ».

Programmation — Côté pour verseuse seulement

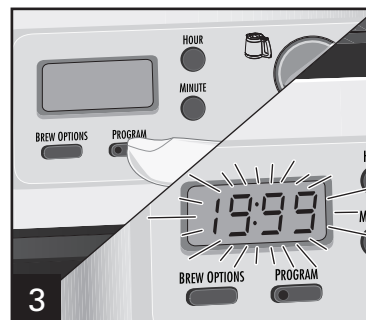
REMARQUE : La cafetière n'infuse qu'un côté à la fois. La cafetière n'infuse qu'un côté à la fois lorsque le côté verseuse est programmé.



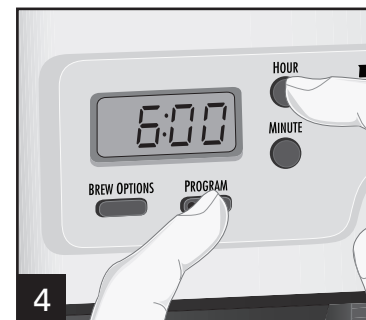
Tourner le sélecteur vers la gauche pour choisir le côté verseuses (☕).



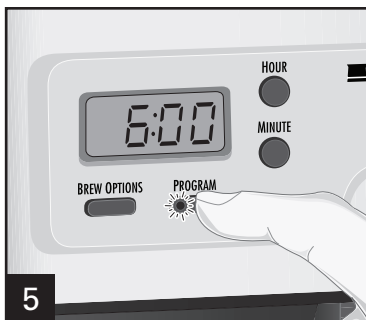
Appuyer sur **HOUR** (heure) et ensuite sur **MINUTE** pour régler la minuterie.



Appuyer sur **PROGRAM** (programme) jusqu'à ce que l'heure clignote.



En continuant à appuyer sur le bouton **PROGRAM** ; appuyer sur **HOUR** et sur **MINUTE** jusqu'à ce que l'heure désirée de début d'infusion apparaisse, puis relâcher le bouton **PROGRAM**.



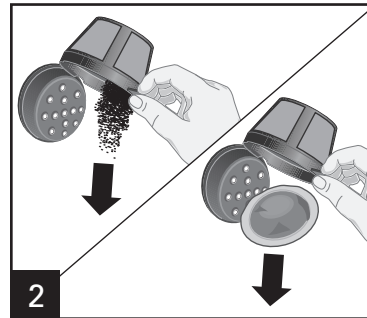
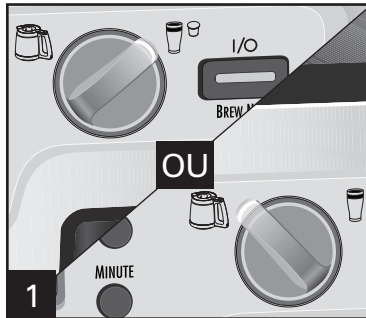
Appuyer sur **PROGRAM** pour mettre en marche l'infusion automatique. Un voyant à DEL verte s'allumera pour indiquer que l'appareil est programmé et que l'infusion commencera à l'heure désirée.

Entretien et nettoyage

⚠ AVERTISSEMENT Risque d'électrocution.

Ne pas immerger le cordon, la fiche ou la cafetière dans aucun liquide.

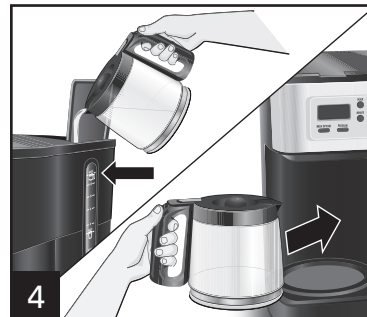
Toutes les cafetières doivent être nettoyées au moins une fois par mois (une fois par semaine pour les zones à eau calcaire).



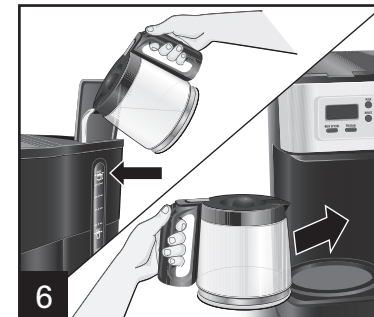
PANIER SUPÉRIEUR SEULEMENT – NE PAS utiliser le réglage "SANI" du lave-vaisselle. Les températures du cycle "SANI" peuvent endommager le produit.



Verser 500 ml (2 tasses) de vinaigre dans le réservoir du côté de la verseuse.



Appuyer sur le bouton **I** (marche). Appuyer sur le bouton **O** (arrêt) après 30 secondes et attendre 30 minutes. Appuyer sur le bouton **I** (marche). Appuyer sur le bouton **O** (arrêt) dès la fin de l'utilisation.



Faites fonctionner 2-3 autres cycles d'infusion avec seulement DE L'EAU PROPRE. Laisser refroidir entre les cycles.

27

Dépannage – Côté 1 tasse

PROBLÈME	CAUSE PROBABLE/SOLUTION
Message d'erreur (Err) à l'afficheur.	<ul style="list-style-type: none">• Trop d'eau dans le réservoir d'eau. Tourner le sélecteur d'infusion sur « Carafe » (☕) et pousser le bouton BREW NOW (infuser maintenant) pour vider l'eau du réservoir. Attendre les 3 bips et que le témoin bleu s'allume avant d'éteindre l'appareil. Reprendre le cycle pour 1 tasse.
Café faible.	<ul style="list-style-type: none">• Quantité de grains de café insuffisante. Pour l'utilisation des dosettes, assurez-vous que les dosettes sont centrées dans le panier pour dosette et/ou le panier-filtre et utilisez deux dosettes pour un café plus fort. Reportez-vous à « Mode d'emploi pour côté 1 tasse ».
Le café déborde du panier-filtre, de la grande tasse à café ou de la tasse régulière.	<ul style="list-style-type: none">• Quantité excessive d'eau dans le réservoir du côté 1 tasse. Utiliser une grande tasse à café ou une tasse régulière pour calculer la quantité d'eau à verser dans le réservoir. Utiliser un peu moins de café moulu pour l'infusion de café décaféiné, aromatisé ou à mouture fine ou utiliser une mouture moyenne de café.
Le café a un mauvais goût.	<ul style="list-style-type: none">• La cafetière a besoin d'être nettoyée.• La mouture du café est trop grossière ou trop fine. Régler le moulin à café sur café moulu pour cafetière automatique.• La qualité et la fraîcheur du café laissent à désirer.• L'eau est de piètre qualité. (Utilisez de l'eau filtrée ou en bouteille).
De l'eau s'échappe du côté verseuse.	<ul style="list-style-type: none">• S'assurer que le sélecteur est réglé pour le côté 1 tasse.
La caractéristique d'arrêt automatique ne fonctionne pas pour le côté 1 tasse.	<ul style="list-style-type: none">• La caractéristique d'arrêt automatique n'est conçue que pour fonctionner avec le côté 1 tasse. Le mode de programmation est pour le côté « Carafe » seulement.
Eau claire s'écoulant lors de l'infusion d'une dosette K-Cup ^{MD*} .	<ul style="list-style-type: none">• La poignée n'est pas abaissée et le perforateur ne peut alors perforer la dosette K-Cup^{MD*}.
Vapeur s'échappant le long du panneau de commande.	<ul style="list-style-type: none">• Lors de l'infusion de grains de café sans le panier pour dosette K-Cup^{MD*}, la vapeur s'échappe le long du panneau de commande lorsque la poignée du panier est abaissée. Ne pas abaisser la poignée lors d'une infusion de grains de café ou de dosettes souples.• Ne pas dépasser le niveau d'eau MAX lors d'une infusion de dosette K-Cup^{MD*}.

Dépannage – Côté verseuse

PROBLÈME	CAUSE PROBABLE/SOLUTION
Le panier à filtre déborde ou le café infuse lentement.	<ul style="list-style-type: none">• Quantités excessives de café.• Le café décaféiné ou les grains de café moulu trop finement peut occasionner le débordement. Utiliser un peu moins de café moulu pour l'infusion de café décaféiné, aromatisé ou à mouture fine ou utiliser une mouture moyenne de café.• La cafetière a besoin d'être nettoyée. <p>Si vous utilisez un filtre conique en papier :</p> <ul style="list-style-type: none">• De la mouture de café a pénétré entre le filtre en papier et le panier-filtre.• Le filtre en papier n'est pas ouvert ou est mal positionné.• Rincer le panier-filtre avant d'y placer le filtre en papier pour que les bords de celui-ci adhèrent aux parois humides du panier.• Filtre en papier de mauvaise qualité.
Le café coule dans la base.	<ul style="list-style-type: none">• Verseuse retirée de le plateau de débordement pendant plus de 20 secondes pendant le cycle d'infusion.
Le café a un mauvais goût.	<ul style="list-style-type: none">• La cafetière a besoin d'être nettoyée.• La mouture du café est trop grossière ou trop fine. Utiliser une mouture moyenne de café.• Portions de café et d'eau incorrecte. Ajuster les choix personnels.• La qualité et la fraîcheur du café laissent à désirer.• L'eau est de piètre qualité. (Utiliser de l'eau filtrée ou en bouteille).

Dépannage – Côté verseuse (suite)

PROBLÈME

CAUSE PROBABLE/SOLUTION

Il y a un sédiment de café dans la tasse.

- Pour le côté verseuse, utiliser un panier filtre en papier de grande qualité au lieu du filtre à café permanent offert en option.
- Pour le côté 1 tasse, essayer une mouture de café plus grossière.

La cafetière n'infuse pas de café/l'appareil ne se met pas en marche.

- Verseuse non positionnée sur le plateau de débordement.
- Le réservoir d'eau est vide.
- L'appareil est débranché.
- Il y a eu une panne d'électricité.
- Il y a eu une surtension électrique. Débrancher l'appareil et brancher-le à nouveau.
- L'horloge doit être réglée de nouveau après la panne d'électricité.

Période d'infusion supérieure à la normale.

- De nombreux dépôts minéraux peuvent s'accumuler dans la pompe de la cafetière. Le nettoyage périodique de l'intérieur de l'appareil est recommandé. Un nettoyage plus fréquent peut être nécessaire, selon la dureté de l'eau. Voir le chapitre « Entretien et nettoyage ». **NOTE** : Ne démonter pas l'appareil.

De l'eau s'égoutte du côté 1 tasse pendant l'infusion du côté « Carafe ».

- S'assurer que le sélecteur est réglé pour le côté verseuse.

Notes

Garantie limitée

Cette garantie s'applique aux produits achetés et utilisés aux É.-U. et au Canada. C'est la seule garantie expresse pour ce produit et est en lieu et place de tout autre garantie ou condition.

Ce produit est garanti contre tout défaut de matériaux et de main-d'oeuvre pour une période de un (1) an à compter de la date d'achat d'origine. Au cours de cette période, votre seul recours est la réparation ou le remplacement de ce produit ou tout composant s'avérant défectueux, à notre gré, mais vous êtes responsable de tous les coûts liés à l'expédition du produit et le retour d'un produit ou d'un composant dans le cadre de cette garantie. Si le produit ou un composant n'est plus offert, nous le remplacerons par un produit similaire de valeur égale ou supérieure.

Cette garantie ne couvre pas le verre, les filtres, l'usure d'un usage normal, l'utilisation non conforme aux directives imprimées, ou des dommages au produit résultant d'un accident, modification, utilisation abusive ou incorrecte. Cette garantie s'applique seulement à l'acheteur original ou à la personne l'ayant reçu en cadeau. La présentation du reçu de vente d'origine comme preuve d'achat est nécessaire pour faire une réclamation au titre de cette garantie. Cette garantie s'annule si le produit est utilisé autrement que par une famille ou si l'appareil est soumis à toute tension ou forme d'onde différente des caractéristiques nominales précisées sur l'étiquette (par ex. : 120 V ~ 60 Hz).

Nous excluons toutes les réclamations au titre de cette garantie pour les dommages spéciaux, consécutifs et indirects causés par la violation de garantie expresse ou implicite. Toute responsabilité est limitée au prix d'achat. **Chaque garantie implicite, y compris toute garantie ou condition de qualité marchande ou d'adéquation à un usage particulier, est exonérée, sauf dans la mesure interdite par la loi, auquel cas la garantie ou condition est limitée à la durée de cette garantie écrite.** Cette garantie vous donne des droits légaux précis. Vous pouvez avoir d'autres droits qui varient selon l'endroit où vous habitez. Certaines provinces ne permettent pas les limitations sur les garanties implicites ou les dommages spéciaux ou indirects de telle sorte que les limitations ci-dessus ne s'appliquent peut-être pas à votre cas.

Ne pas retourner cet appareil au magasin lors d'une réclamation au titre de cette garantie. Téléphoner au 1.800.851.8900 aux É.-U. ou au 1.800.267.2826 au Canada ou visiter le site internet www.hamiltonbeach.com aux É.-U. ou www.hamiltonbeach.ca au Canada. Pour un service plus rapide, trouvez le numéro de modèle, le type d'appareil et les numéros de série sur votre appareil.

SALVAGUARDIAS IMPORTANTES

Cuando utilice artefactos eléctricos, siempre deben seguirse precauciones de seguridad básicas a fin de reducir el riesgo de incendio, descarga eléctrica, y/o lesiones a personas, incluyendo las siguientes:

1. Lea todas las instrucciones.
2. Verifique que el voltaje de su instalación corresponda con el del producto.
3. No toque superficies calientes. Use manijas o perillas. Es importante tener cuidado ya que pueden ocurrir quemaduras al tocar partes calientes o como resultado del derrame de líquido caliente.
4. Para protegerse contra choques eléctricos, no sumerja el cordón, el enchufe o la cafetera en el agua o en otro líquido.
5. Es necesario una estricta vigilancia siempre que los niños utilicen o estén cerca de algún artefacto.
6. Desenchufe la cafetera cuando la cafetera o el reloj no esté en uso y antes de la limpieza. Deje que se enfríe antes de ponerle o quitarle piezas y antes de su limpieza.
7. La cafetera debe ser operada sobre una superficie plana lejos del borde de la mesera o mostrador para evitar que se vuelque accidentalmente.
8. No haga funcionar artefacto alguno que tenga el cordón o el enchufe averiado o si falla o ha sufrido algún daño. Llame a nuestro número gratuito de servicio al cliente para información sobre examinación, reparación o ajuste.
9. El uso de aditamentos de accesorio no recomendados por el fabricante del aparato pueden causar lesiones.
10. No lo use a la intemperie.
11. No deje que el cable cuelgue del borde de la mesa, mostrador, ni que toque superficies calientes, incluyendo la estufa.
12. No lo coloque sobre o cerca de una cocina eléctrica o a gas caliente o dentro de un horno caliente.
13. La jarra está diseñada para uso con esta cafetera. No debe usarse sobre una estufa o en un horno de microondas.
14. No ponga una jarra caliente sobre una superficie mojada o fría.
15. No use una jarra quebrada o una con manijas flojas o debilitadas.
16. No limpie la jarra con limpiadores, estropajos de acero u otros materiales abrasivos.
17. Asegúrese de que la tapa de la jarra esté firme en posición durante el ciclo de preparación del café y cuando lo esté vertiendo; no emplee fuerza cuando coloque la tapa en la jarra.
18. Para desconectar la cafetera, coloque los controles en la posición apagada (O) y luego retire el enchufe del tomacorriente.
19. **ADVERTENCIA:** Para reducir el riesgo de incendio o choque eléctrico, no quite la cubierta inferior de la cafetera. En el interior no hay piezas que el usuario pueda reparar. Las reparaciones deberán ser realizadas solamente por personal de servicio autorizado.
20. No use el artefacto para fines ajenos a los que está destinado.
21. **¡PRECAUCIÓN!** Peligro de Cortaduras: El soporte desmontable del paquete K-Cup®** contiene una hoja de corte filosa. Tenga cuidado al manipular.
22. **¡PRECAUCIÓN!** Peligro de Cortaduras: La boquilla de perforación es filosa. Tenga cuidado al lavarla.

¡GUARDE ESTAS INSTRUCCIONES!

*K-Cup es una marca registrada de Keurig, Inc. El uso de la marca registrada K-Cup no implica un respaldo o asociación con Keurig, Inc.

33

Otra Información de Seguridad para el Cliente

Este aparato ha sido diseñado solamente para uso doméstico.

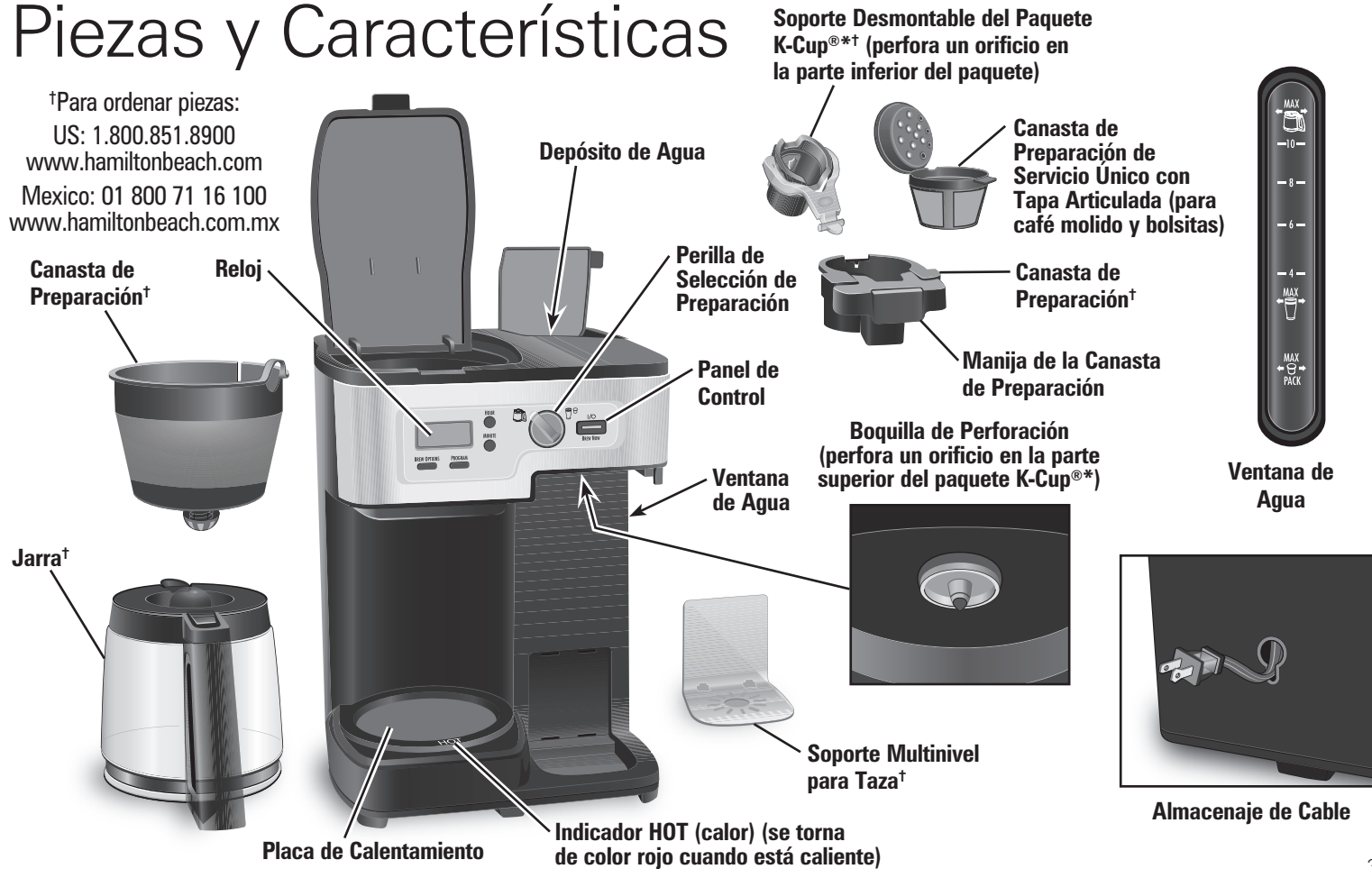
¡ADVERTENCIA! Peligro de Descarga Eléctrica: Este aparato cuenta con un enchufe polarizado (una pata más ancha) que reduce el riesgo de una descarga eléctrica. El enchufe embona únicamente en una dirección dentro de un tomacorriente polarizado. No trate de obviar el propósito de seguridad del enchufe modificándolo de alguna manera o utilizando un adaptador. Si el enchufe no entra completamente en la toma, invierta el enchufe. Si aún no entra, haga que un electricista reemplace la toma.

El largo del cable que se usa en este aparato fue seleccionado para reducir el peligro de que alguien se enganche o tropiece con un cable más largo. Si es necesario usar un cable más largo, se podrá usar un cable de extensión aprobado. La clasificación eléctrica nominal del cable de extensión debe ser igual o mayor que la clasificación nominal del aparato. Es importante tener cuidado de colocar el cable de extensión para que no se pliegue sobre el mostrador o la mesera en donde niños puedan tirar del mismo o tropezarse accidentalmente.

Para evitar una sobrecarga eléctrica del circuito, no use otro aparato de alto voltaje en el mismo circuito con este aparato.

Piezas y Características

†Para ordenar piezas:
 US: 1.800.851.8900
 www.hamiltonbeach.com
 Mexico: 01 800 71 16 100
 www.hamiltonbeach.com.mx



Cómo Usar el Lado de Servicio Individual – Paquetes de Preparación K-Cup®*

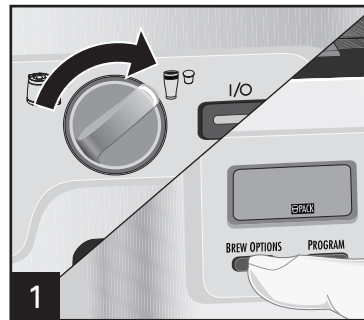
⚠ ADVERTENCIA Peligro de Quemaduras.

Para evitar contacto con café o agua caliente:

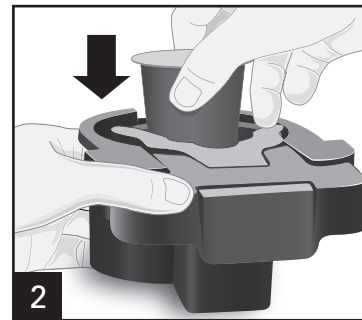
- No utilice más de 10 oz. (300 ml) de agua por paquete K-Cup®*. Agregar demasiada agua al depósito de agua provocará la aparición de un mensaje de error en la pantalla, junto con un pitido prolongado. Coloque la jarra en la placa calentamiento. Gire la perilla de selección de preparación a Jarra (☕) y presione el botón **BREW NOW** (preparar ahora) para eliminar el agua. Espere 3 pitidos y a que se apague la luz azul de encendido. Reinicie el proceso de servicio individual.
- Llene el depósito con agua con la taza o la taza de viaje en la que preparará el café.
- Coloque la taza o la taza de viaje totalmente debajo de la canasta de preparación.
- Para mejores resultados, use los paquetes K-Cup®* comercializados por Green Mountain Coffee®‡.

NOTAS:

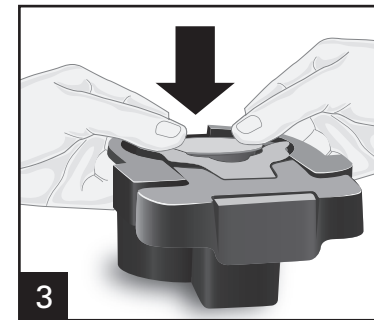
- La unidad sólo prepara sobre un lado por vez.
- Para Café más Caliente: Enjuague la taza para viaje con agua tibia antes de la preparación.
- La Selección de Modo de Preparación permanecerá en el último modo utilizado, a menos que se desenchufe la unidad.
- El café preparado puede seguir goteando después de finalizada la preparación (después de 3 pitidos) cuando se utiliza café molido fino.
- El modo de programación no puede utilizarse en el lado de servicio individual.



1 Enchufe la cafetera. Gire la perilla de selección de preparación a la derecha para seleccionar servicio individual (☕). Presione el botón **BREW OPTIONS** (opciones de preparación) para seleccionar el modo ☕.



2 Quite la canasta de preparación. Coloque un paquete en el soporte del paquete K-Cup®*. **¡PRECAUCIÓN!** Peligro de Cortaduras. El soporte desmontable del paquete K-Cup®* contiene una hoja de corte filosa. Manéjelo con cuidado.

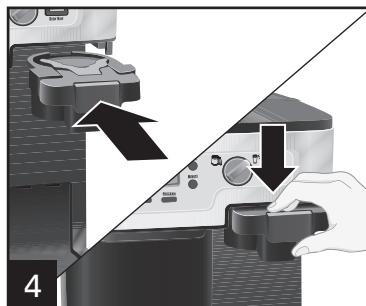


3 Presione hacia abajo sobre el borde del paquete hasta que éste quede en su lugar con un clic y se perfora el orificio en la parte inferior. No quite el papel metálico.

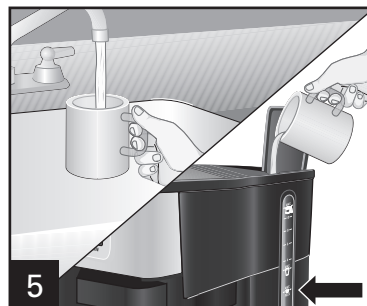
‡Green Mountain Coffee es una marca registrada de Green Mountain Coffee Roasters, Inc. El uso de la marca registrada Green Mountain Coffee no implica ninguna afiliación o promoción por parte de Green Mountain Coffee Roasters, Inc.

Cómo Usar el Lado de Servicio Individual –

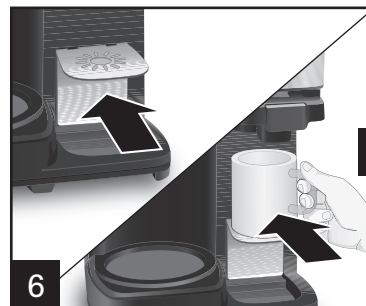
Paquetes de Preparación K-Cup®* (cont.)



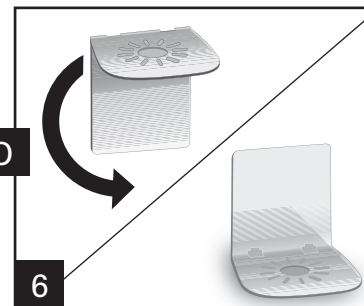
4 Presione hacia abajo la manija de la canasta de preparación para trabar y perforar la tapa de papel metálico del paquete.



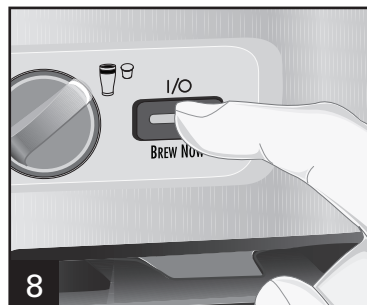
5 Llene el depósito con la taza o la taza de viaje en la que va a preparar el café (máximo 10 oz. de agua).



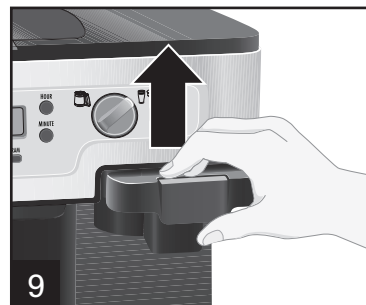
6 Asegúrese de que el soporte multinivel invertible para taza se encuentre firmemente colocado y trabado en su lugar.



7 Para quitar el soporte de la taza: Presione hacia arriba el soporte de la taza; incline hacia arriba. Presione hacia abajo para liberar.



8 Presione el botón ENCENDIDO/APAGADO (I/O). La luz azul indicadora de encendido se encenderá para indicar que la cafetera está encendida. **¡PRECAUCIÓN!** Peligro de Quemaduras. La placa de calentamiento se encuentra caliente cuando se prepara café en el lado de servicio individual.



Después de finalizada la preparación, tire la manija de la canasta de preparación hacia arriba para destrabar y quitar. La cafetera se apagará automáticamente y la luz se apagará cuando el ciclo de preparación se haya completado (sonarán 3 pitidos).

Deje pasar 2 minutos para enfriar la unidad entre preparaciones. La canasta de preparación y el soporte del paquete K-Cup®* deben enjuagarse después de cada uso. Al presionar la manija de la canasta de preparación se perfora el paquete antes de la preparación.

Cómo Usar el Lado de Servicio Individual – Preparación con Café Molido o con Bolsitas

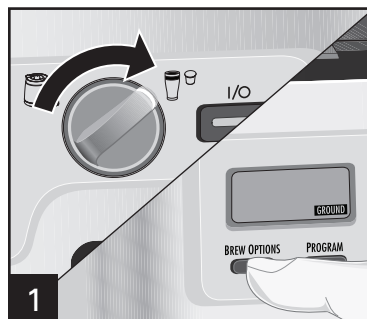
⚠ ADVERTENCIA Peligro de Quemaduras.

Para evitar contacto con café o agua caliente:

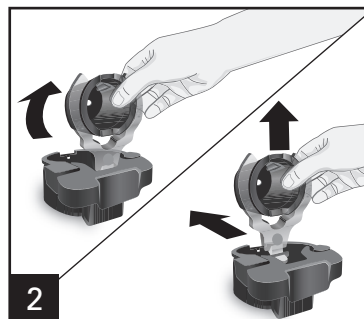
- No utilice más de 14 oz. (410 ml) de agua por café molido o bolsita Melitta®. Agregar más de 14 oz. (410 ml) de agua al depósito de agua provocará la aparición de un mensaje de error en la pantalla, junto con un pitido prolongado. Coloque la jarra en la placa calentamiento. Gire la perilla de selección de preparación a Jarra (☕) y presione el botón **BREW NOW** (preparar ahora) para eliminar el agua. Espere 3 pitidos y a que se apague la luz azul de encendido. Reinicie el proceso de servicio individual.
- Llene el depósito con agua con la taza o la taza de viaje en la que preparará el café.
- Coloque la taza o la taza de viaje totalmente debajo de la canasta de preparación.
- Quite el soporte del paquete K-Cup®* antes de agregar café molido a la canasta de preparación.

Esta unidad está diseñada para utilizar bolsitas individuales Melitta®, disponibles en la sección de café de su tienda local.

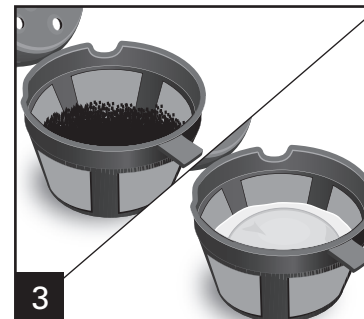
NOTA: Pueden pasar hasta 2 minutos antes de que el café preparado comience a verterse en su taza o taza de viaje.



1 Enchufe la cafetera. Gire la perilla de selección de preparación a la derecha para seleccionar servicio individual (☕). Presione el botón **BREW OPTIONS** (opciones de preparación) para seleccionar el **GROUND** (modo).



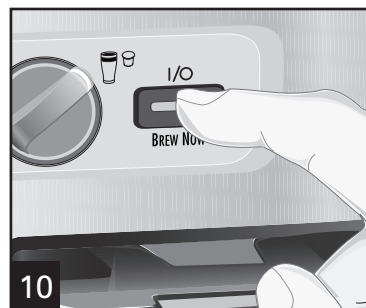
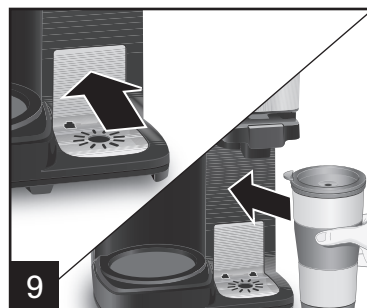
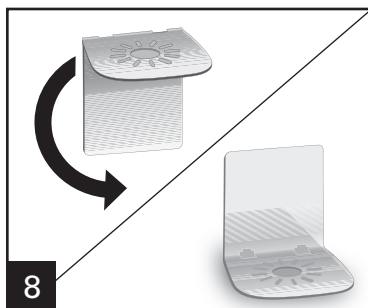
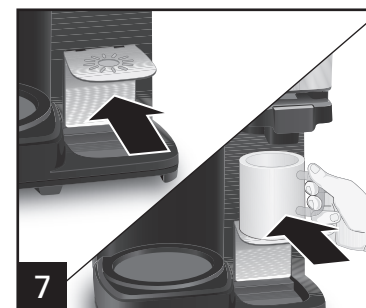
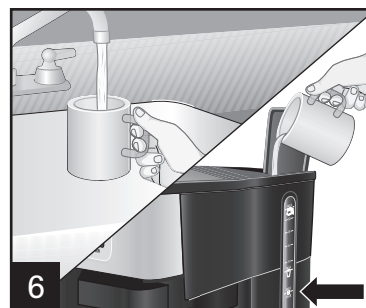
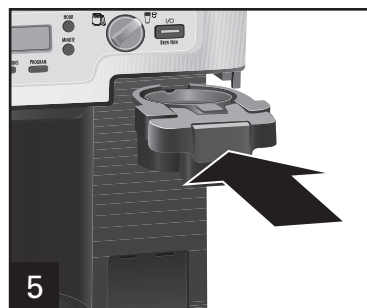
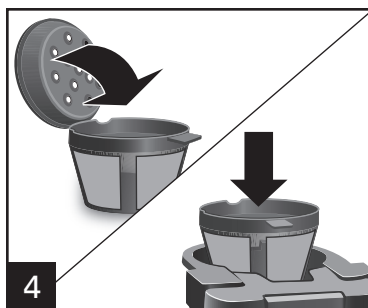
2 Para quitar el soporte del paquete K-Cup®*, tome la taza del soporte del paquete K-Cup®*; deslice hacia la parte trasera y luego quítelo. **¡PRECAUCIÓN!** Peligro de Cortaduras. El soporte desmontable del paquete K-Cup®* contiene una hoja de corte filosa. Manéjelo con cuidado.



3 Agregue café molido (3 cucharadas soperas es la cantidad MAX de café molido para la canasta de preparación) o una bolsita a la canasta de preparación. **¡ADVERTENCIA!** Peligro de Quemaduras. Para evitar los desbordes, mantenga el café molido por debajo de la línea de llenado MAX.

Cómo Usar el Lado de Servicio Individual –

Preparación con Café Molido o con Bolsitas (cont.)



Llene el depósito con la taza o la taza de viaje en la que va a preparar el café (máximo 14 oz. de agua).

Asegúrese de que el soporte multinivel invertible para taza se encuentre firmemente colocado y trabado en su lugar.

Presione el botón ENCENDIDO/APAGADO (I/O). La luz azul indicadora de encendido se encenderá para indicar que la cafetera está encendida.

¡PRECAUCIÓN! Peligro de Quemaduras: La placa de calentamiento se encuentra caliente cuando se prepara café en el lado de servicio individual.

La cafetera se apagará automáticamente y la luz se apagará cuando el ciclo de preparación se haya completado (sonarán 3 pitidos).

Presione el botón ENCENDIDO/APAGADO (I/O) de nuevo para DETENER la preparación a mitad del ciclo.

Deje pasar 2 minutos para enfriar la unidad entre preparaciones.

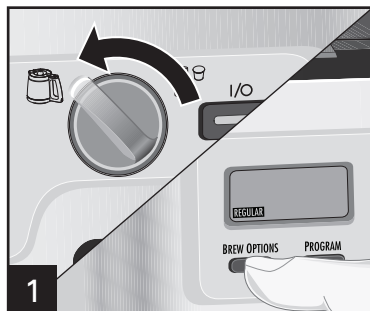
La canasta de preparación deben enjuagarse después de cada uso.

39

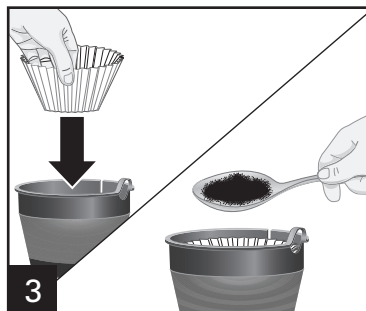
Cómo Usar el Lado de la Jarra

APAGADO AUTOMÁTICO: La cafetera se apagará automáticamente 2 horas después de finalizar el ciclo de preparación.

NOTA: La unidad sólo prepara sobre un lado por vez.



1 Enchufe la cafetera. Gire la perilla hacia la izquierda para seleccionar la jarra (☺). Presione el botón **BREW OPTIONS** (opciones de preparación) para seleccionar los modos **REGULAR** (común) o **BOLD** (intenso). El modo **REGULAR** (común) es el predeterminado.



Coloque el filtro de papel estilo moldecitos de magdalenas dentro de la canasta de preparación. También se puede utilizar un filtro permanente.

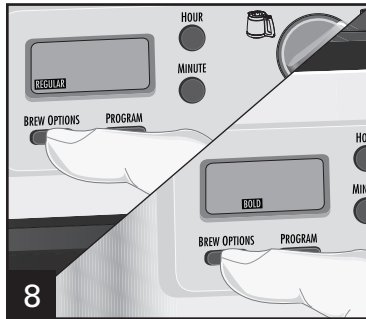
Por cada taza de café que desee preparar, coloque en el filtro una cucharada (15 ml) grande al ras de café.

Para acceder a un listado de partes, accesorios y piezas de reemplazo disponibles para su cafetera, visite www.hamiltonbeach.com.

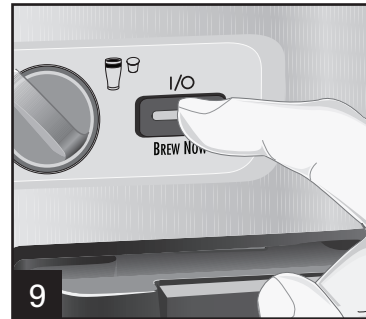


7 Coloque la jarra, con la tapa puesta, sobre la placa que mantiene caliente el café.

Cómo Usar el Lado de la Jarra (cont.)



8 Para un café de sabor mejorado/más intenso, presione el botón **BREW OPTIONS** (opciones de preparación) hasta que aparezca **BOLD** (intenso).



9 Presione el botón **I/O** (ENCENDIDO/APAGADO) para comenzar. Presione el botón **I/O** (ENCENDIDO/APAGADO) de nuevo para apagar.

PAUSA AL SERVIR:

Para servir café durante el ciclo de preparación, quite la jarra y sirva una taza. Al quitar la jarra, el flujo de café desde la parte inferior del portafiltros se detendrá.

¡ADVERTENCIA! Peligro de Quemaduras. La jarra debe volver a colocarse dentro de los 20 segundos después de quitarse para evitar desbordes.

NOTAS:

- Si la cafetera no se apaga en forma manual, ésta se apagará automáticamente en 2 horas.
- El modo **BOLD** (intenso) requiere un tiempo adicional para completar el ciclo de preparación. La cafetera recuerda la última opción de preparación seleccionada. Si se desenchufa, la cafetera vuelve al modo predeterminado **REGULAR** (común).

Consejos para Lograr un Café Más Rico

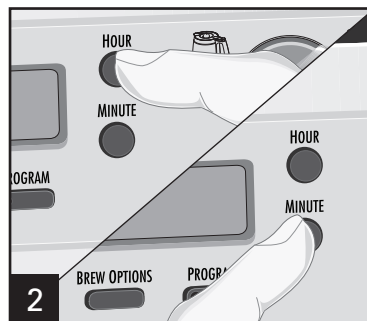
- Todos los cafés están hechos de granos de arábica o robusta, o de una combinación de ambos. Los granos de arábica son un poco más caros pero tienden a producir un café de mejor sabor.
- El café molido se pone rancio más rápido que los granos enteros. Si compra café premolido, elija un paquete con la fecha de vencimiento más alejada o de menor cantidad.
- Si va a moler granos enteros, configure su molino de café en un molido fino/mediano. Esto genera el café molido de mejor sabor. Trate de utilizar el café recién molido dentro de la semana de molido.
- Usar un filtro de agua, agua filtrada o agua mineral genera un café más rico que usar agua de grifo.
- Utilice aproximadamente 1 cucharada (15 ml) de café molido por cada taza de café a preparar. Para evitar desbordes, utilice un poco menos de café (3/4 cucharada [11 ml]) cuando prepare cafés descafeinados o saborizados. Además, tenga en cuenta que usar café molido muy fino también puede provocar desbordes en la canasta del filtro.
- Asegúrese de que su cafetera esté limpia. Ver las secciones "Cuidado y Limpieza".

Programación — Para el Lado de la Jarra Solamente

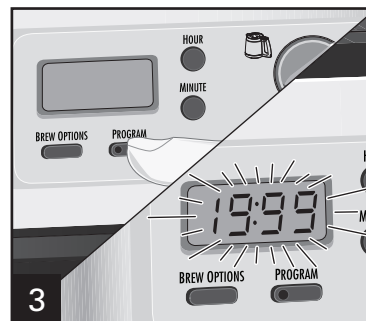
NOTA: La unidad sólo prepara sobre un lado por vez. El lado de Servicio Individual no puede utilizarse mientras se encuentra programado el lado de la Jarra.



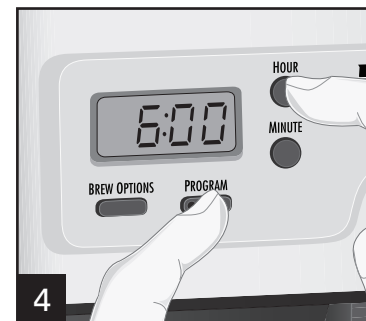
1 Gire la perilla hacia la izquierda para seleccionar la jarra (☺).



2 Presione **HOUR** (hora) y luego **MINUTE** (minuto) para configurar el reloj.



3 Sostenga **PROGRAM** (programa) hasta que el reloj comience a destellar.



4 Continúe sosteniendo el botón **PROGRAM**, presione **HOUR** y **MINUTE** hasta alcanzar el tiempo deseado de inicio de preparación, luego libere el botón **PROGRAM**.



5 Presione **PROGRAM** para activar la preparación automática. La luz verde de programación se iluminará para indicar que la unidad se halla programada y comenzará la preparación a la hora seleccionada.

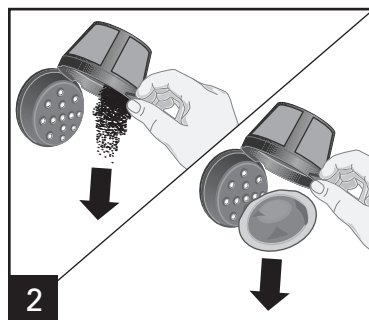
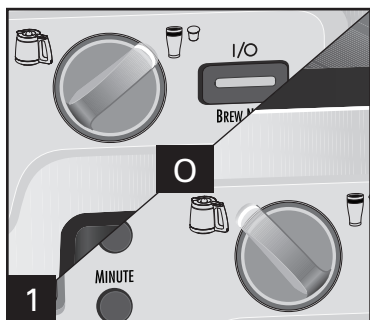
Cuidado y Limpieza

⚠️ ADVERTENCIA

Peligro de Descarga.

No sumerja el cable, enchufe o cafetera en ningún líquido.

Todas las cafeteras deben limpiarse por lo menos una vez por mes (una vez por semana en áreas de agua dura).



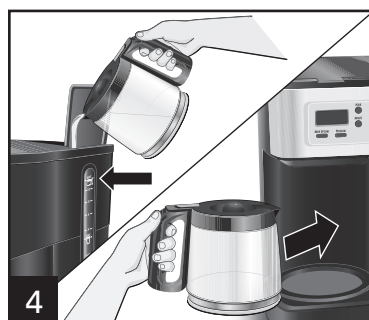
RESISTENTE AL LAVAVAJILLA

SÓLO BANDEJA SUPERIOR – No utilice la configuración "SANI" cuando la lave en el lavavajillas. Las temperaturas del ciclo "SANI" pueden dañar su producto.

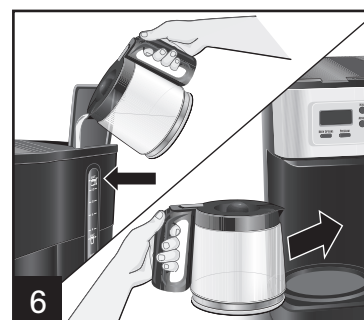


LADO DE LA JARRA SOLAMENTE

Vierta 1/2 taza (125 ml) de vinagre blanca y 1/2 taza (125 ml) de agua fría dentro del depósito de servicio individual.



Presione el botón **I** (ENCENDIDO). Presione el botón **O** (APAGADO) después de 30 segundos y espere 30 minutos. Presione el botón **I** (ENCENDIDO). Presione el botón **O** (APAGADO) cuando termine.



Haga 2-3 ciclos de preparación más con AGUA LIMPIA solamente. Deje enfriar entre ciclos.

Resolviendo Problemas – Lado de Servicio Individual

PROBLEMA	CAUSA PROBABLE/SOLUCIÓN
Mensaje de error en la pantalla.	<ul style="list-style-type: none"> Demasiada agua en el depósito. Gire la perilla de selección de preparación a Jarra (☕) y presione el botón BREW NOW (preparar ahora) para eliminar el agua. Espere 3 pitidos y a que se apague la luz azul de encendido. Vuelva a iniciar el proceso de Servicio Individual.
Café poco cargado.	<ul style="list-style-type: none"> No se ha utilizado suficiente café molido. Si usa bolsitas, asegúrese de que las bolsitas estén centradas en la canasta para sobre individual y/o la canasta de preparación y utilice dos bolsitas para un café más intenso. Ver "Cómo Usar el Lado de Servicio Individual".
El café se derrama de la canasta de preparación, taza para viaje o taza común.	<ul style="list-style-type: none"> Una cantidad excesiva de agua en el depósito de servicio individual. Utilice la taza para viaje o taza común en la que preparará el café para llenar el depósito. Utilice un poco menos de café cuando prepare café descafeinado, saborizado o molido fino. O utilice café molido mediano.
El café sabe mal.	<ul style="list-style-type: none"> La cafetera necesita limpiarse. El café molido es muy grueso o muy fino. Ajuste el molino de café a molido goteo automático. El café es de baja calidad y frescura. El agua es de baja calidad (use agua filtrada o embotellada).
Sale agua del lado de la jarra.	<ul style="list-style-type: none"> Asegúrese de que la perilla de selección esté configurada del lado de Servicio Individual.
No funciona la característica de inicio automático con el lado de servicio individual.	<ul style="list-style-type: none"> La característica de inicio automático no se encuentra diseñada para funcionar del lado de Servicio Individual. El modo de programación es solamente para el lado de la Jarra.
Sale agua clara cuando se prepara café con K-Cup®*.	<ul style="list-style-type: none"> Ha olvidado trabar la manija hacia abajo, lo que perfora el papel de aluminio de K-Cup®*.
Sale vapor en dirección del panel de control.	<ul style="list-style-type: none"> Cuando prepare café molido sin el montaje del soporte de K-Cup®*, saldrá vapor en dirección del panel de control si la manija de la canasta se presiona hacia abajo. Deje la manija hacia arriba cuando utilice café molido o bolsitas. No supere el nivel de agua MAX cuando prepare café con el paquete K-Cup®*.

Resolviendo Problemas – Lado de la Jarra

PROBLEMA	CAUSA PROBABLE/SOLUCIÓN
El portafiltros se desborda o la preparación del café es muy lenta.	<ul style="list-style-type: none">• Cantidad de café molido en exceso.• El café descafeinado y/o el café molido muy fino pueden provocar desbordes en la canasta de preparación. Utilice un poco menos de café cuando prepare café descafeinado, saborizado o molido fino. O utilice café molido mediano.• La cafetera necesita limpiarse. <p>Si utiliza un filtro de papel:</p> <ul style="list-style-type: none">• Hay granos de café entre el filtro de papel y la canasta de preparación.• El filtro de papel no está abierto ni en la posición apropiada.• Enjuague la canasta de preparación antes de insertar el filtro de papel para que los bordes permanezcan presionados contra los lados de la canasta.• El filtro de papel es de baja calidad.
Hay pérdidas de café en la base.	<ul style="list-style-type: none">• Se ha quitado la jarra de la placa que mantiene caliente el café por más de 20 segundos durante el ciclo de preparación.
El café sabe mal.	<ul style="list-style-type: none">• La cafetera necesita limpiarse.• El café molido es muy grueso o muy fino. Utilice café molido mediano.• La cantidad de café-agua no es la correcta. Ajuste según la preferencia personal.• El café es de baja calidad y fresca.• El agua es de baja calidad (use agua filtrada o embotellada).

Resolviendo Problemas – Lado de la Jarra (cont.)

PROBLEMA

CAUSA PROBABLE/SOLUCIÓN

Sedimentos de café en la taza.

- Para el lado de la Jarra, use un filtro de papel tipo canastilla de alta calidad en lugar del filtro de café permanente opcional.
- Para el lado de Servicio Individual, pruebe con un café molido más grueso.

No está en marcha la preparación del café/ la unidad no enciende.

- La jarra no se ha colocado en la placa que mantiene caliente el café.
- El recipiente del agua está vacío.
- La unidad está desenchufada.
- Corte de corriente.
- Subida de voltaje. Desenchufe, luego enchufe la unidad de nuevo.
- El reloj necesita ser reajustado después de un corte de corriente.

Tiempo de preparación más largo de lo normal.

- Depósitos minerales pueden acumularse en la bomba de la cafetera. Se recomienda una limpieza periódica de la unidad. Es posible que sea necesaria una limpieza más frecuente, dependiendo de la dureza del agua de su casa. Vea la sección "Cuidado y Limpieza". **NOTA:** No desarme la unidad.

Sale agua del lado de Servicio Individual cuando se prepara café con la jarra.

- Asegúrese de que la perilla de selección esté configurada del lado de la Jarra.



Grupo HB PS, S.A. de C.V.
Monte Elbruz 124-301
Colonia Palmitas, Delegación Miguel Hidalgo
C.P. 11560, México, Distrito Federal
01-800-71-16-100

PÓLIZA DE GARANTÍA

PRODUCTO:	MARCA:	MODELO:
Grupo HB PS, S.A. de C.V. cuenta con una Red de Centros de Servicio Autorizada, por favor consulte en la lista anexa el nombre y dirección de los establecimientos en la República Mexicana en donde usted podrá hacer efectiva la garantía, obtener partes, componentes, consumibles y accesorios; así como también obtener servicio para productos fuera de garantía. Para mayor información llame sin costo: Centro de Atención al consumidor: 01 800 71 16 100		
Grupo HB PS, S.A. de C.V. le otorga a partir de la fecha de compra: GARANTÍA DE 1 AÑO.		
COBERTURA		
<ul style="list-style-type: none">• Esta garantía ampara, todas las piezas y componentes del producto que resulten con defecto de fabricación incluyendo la mano de obra.• Grupo HB PS, S.A. de C.V. se obliga a reemplazar, reparar o reponer, cualquier pieza o componente defectuoso; proporcionar la mano de obra necesaria para su diagnóstico y reparación, todo lo anterior sin costo adicional para el consumidor.• Esta garantía incluye los gastos de transportación del producto que deriven de su cumplimiento dentro de su red de servicio.		
LIMITACIONES		
<ul style="list-style-type: none">• Esta garantía no ampara el reemplazo de piezas deterioradas por uso o por desgaste normal, como son: cuchillas, vasos, vasos, filtros, etc.• Grupo HB PS, S.A. de C.V. no se hace responsable por los accidentes producidos a consecuencia de una instalación eléctrica defectuosa, ausencia de toma de tierra, clavija de enchufe en mal estado, etc.		
EXCEPCIONES		
Esta garantía no será efectiva en los siguientes casos: <ul style="list-style-type: none">a) Cuando el producto se hubiese utilizado en condiciones distintas a las normales. (Uso industrial, semi-industrial o comercial.)b) Cuando el producto no hubiese sido operado de acuerdo con el instructivo de uso.c) Cuando el producto hubiese sido alterado o reparado por personas no autorizadas por Grupo HB PS, S.A. de C.V. el fabricante nacional, importador o comercializador responsable respectivo.d) Esta garantía pierde su validez si el producto es utilizado en un medio diferente a una vivienda unifamiliar o se somete a cualquier voltaje o forma de onda diferente a la especificada en la etiqueta de clasificación (ej., 120V ~ 60 Hz). El consumidor puede solicitar que se haga efectiva la garantía ante la propia casa comercial donde adquirió su producto, siempre y cuando Grupo HB PS, S.A. de C.V. no cuente con talleres de servicio.		

PROCEDIMIENTO PARA HACER EFECTIVA LA GARANTÍA

- Para hacer efectiva la garantía no deben exigirse mayores requisitos que la presentación del producto y la póliza correspondiente, debidamente sellada por el establecimiento que lo vendió.
- Para hacer efectiva la garantía, lleve su aparato al Centro de Servicio Autorizado más cercano a su domicilio (consulte la lista anexa).
- Si no existe Centro de Servicio Autorizado en su localidad llame a nuestro Centro de Atención al Consumidor para recibir instrucciones de como hacer efectiva su garantía.
- El tiempo de reparación, en ningún caso será mayor de 30 días naturales contados a partir de la fecha de recepción del producto en nuestros Centros de Servicio Autorizados.
- En caso de que el producto haya sido reparado o sometido a mantenimiento y el mismo presente deficiencias imputables al autor de la reparación o del mantenimiento dentro de los treinta días naturales posteriores a la entrega del producto al consumidor, éste tendrá derecho a que sea reparado o mantenido de nuevo sin costo alguno. Si el plazo de la garantía es superior a los treinta días naturales, se estará a dicho plazo.
- El tiempo que duren las reparaciones efectuadas al amparo de la garantía no es computable dentro del plazo de la misma. Cuando el bien haya sido reparado se iniciará la garantía respecto de las piezas repuestas y continuará con relación al resto. En el caso de reposición del bien deberá renovarse el plazo de la garantía.

DÍA__ MES__ AÑO__

Si desea hacer comentarios o sugerencias con respecto a nuestro servicio o tiene alguna queja derivada de la atención recibida en alguno de nuestros Centros de Servicio Autorizados, por favor dirigirse a:

GERENCIA INTERNACIONAL DE SERVICIO
01 800 71 16 100
Email: mexico.service@hamiltonbeach.com.mx

RED DE CENTROS DE SERVICIO AUTORIZADA GRUPO HB PS, S.A. DE C.V.

Distrito Federal

ELECTRODOMÉSTICOS

Av. Plutarco Elías Calles No. 1499
Zacahuiztco MEXICO 09490 D.F.
Tel: 01 55 5235 2323 • Fax: 01 55 5243 1397

CASA GARCIA

Av. Patriotismo No. 875-B
Mixcoac MEXICO 03910 D.F.
Tel: 01 55 5563 8723 • Fax: 01 55 5615 1856

Nuevo Leon

FERNANDO SEPULVEDA REFACCIONES

Ruperto Martínez No. 238 Ote.
Centro MONTERREY, 64000 N.L.
Tel: 01 81 8343 6700 • Fax: 01 81 8344 0486

Jalisco

SERVICIOS DE MANTENIMIENTO CASTILLO

Garibaldi No. 1450
Ladrón de Guevara
GUADALAJARA 44660 Jal.
Tel: 01 33 3825 3480 • Fax: 01 33 3826 1914

Chihuahua

DISTRIBUIDORA TURMIX

Av. Paseo Triunfo de la Rep. No. 5289 Local 2 A.
Int. Hipermart
Alamos de San Lorenzo
CD. JUAREZ 32340 Chih.
Tel: 01 656 617 8030 • Fax: 01 656 617 8030

Modelos:
49983, 49984C

Tipo:
A90

Características Eléctricas:
120V~ 60Hz 950W

Los modelos incluidos en el instructivo de Uso y Cuidado pueden ir seguidos o no por un sufijo correspondiente a una o varias letras del alfabeto y sus combinaciones, separadas o no por un espacio, coma, diagonal, o guión. Como ejemplos los sufijos pueden ser: "Y" y/o "MX" y/o "MXY" y/o "Z".

840219700

4/13