

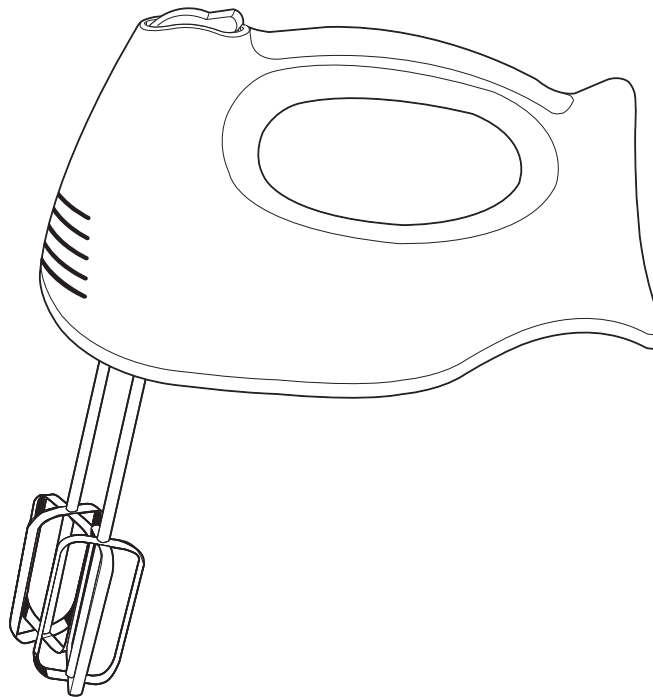
**READ BEFORE USE**

Visit [www.hamiltonbeach.in](http://www.hamiltonbeach.in) for our complete line of products and Use and Care Guides – as well as delicious recipes, tips, and other useful information!

**Questions?**  
Please call us – our friendly associates are ready to help.  
**1.800.42.555.43**

# Hamilton Beach®

## Hand Mixers



## IMPORTANT SAFEGUARDS

When using electrical appliances, basic safety precautions should always be followed to reduce the risk of fire, electric shock, and/or injury to persons, including the following:

1. Read all instructions.
2. To protect against risk of electrical shock, do not put cord, plug, or mixer body in water or other liquid.
3. Close supervision is necessary when any appliance is used by or near children.
4. This appliance can be used by children aged from 8 years and above and persons with reduced physical, sensory, or mental capabilities or lack of experience and knowledge if they have been given supervision or instruction concerning use of the appliance in a safe way and understand the hazards involved. Children shall not play with the appliance. Cleaning and user maintenance shall not be made by children without supervision.
4. Unplug from outlet when not in use, before putting on or taking off parts, and before cleaning.
5. Avoid contacting moving parts. Keep hands, hair, and clothing, as well as spatulas and other utensils, away from beaters during operation to reduce risk of injury to persons and/or damage to mixer.
6. Remove beaters from mixer before washing.
7. Do not let cord hang over edge of table or counter.
8. Do not let cord contact hot surfaces, including the stove.
9. Do not operate any appliance with a damaged supply cord, or after the appliance malfunctions or is dropped or damaged in any manner. Supply cord replacement and repairs must be conducted by the manufacturer, its service agent, or similarly qualified persons in order to avoid a hazard.
10. The use of attachments not recommended or sold by the appliance manufacturer for use with this model may cause fire, electric shock, or injury.
11. Do not use outdoors.
12. Do not place on or near a hot gas or electric burner, or in a heated oven.
13. Check that control is off before plugging cord into wall outlet. To disconnect, turn control to **O** (OFF) and then remove plug from wall outlet.
14. Do not use appliance for other than intended purpose.

## SAVE THESE INSTRUCTIONS!

### Other Consumer Safety Information

#### **This appliance is intended for household use only.**

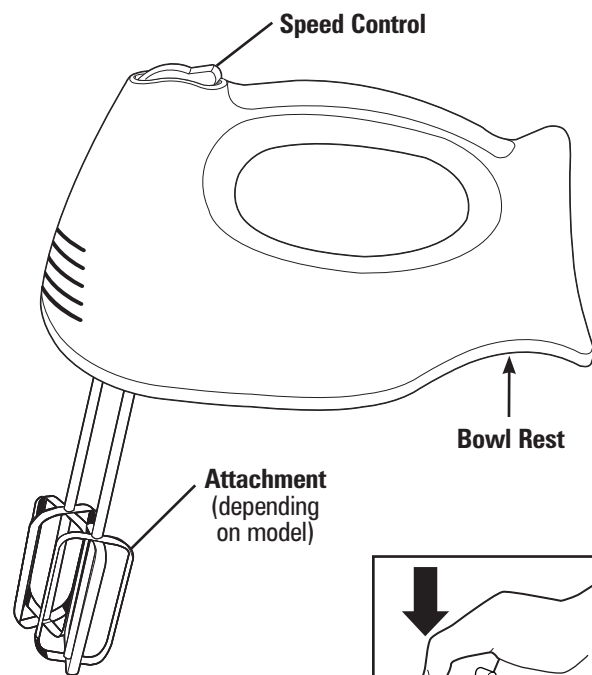
The length of the cord used on this appliance was selected to reduce the hazards of becoming tangled in or tripping over a longer cord. If a longer cord is necessary, an approved extension cord may be used. The electrical rating of the extension cord must be equal to or greater than the rating of the appliance. Care must be taken to arrange the extension cord so that it will not drape over the counter-top or tabletop where it can be pulled on by children or accidentally tripped over.

2

#### **CAUTION! Moving Parts Hazard.**

To reduce the risk of personal injury, always unplug mixer before inserting or removing beaters.

# Parts and Features



Speed Control

Bowl Rest

Attachment  
(depending  
on model)

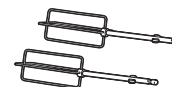
Eject Button



**Milk Shake**  
(Ice Cream/Powdered  
Drink Mixes)



**Dough Hooks**  
(Mixing/Kneading)



**Straight Wire Beaters**  
(General/Heavy Use)



**Snap-On Case**

# General Mixing Guide

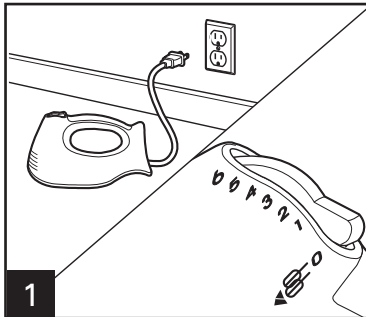
The following mixing guide is a suggestion for selecting mixing speeds for 6-speed mixers. Begin on speed 1 and increase to desired speed depending on the recipe consistency.

SPEED	FUNCTION
0	OFF
1	<u>LOW</u> speed for folding or mixing in dry ingredients, muffins, or quick breads
2	To cream butter and sugar; most cookie dough
3	<u>MEDIUM</u> speed for most packaged cake mixes
4	Frosting and mashed potatoes; kneading dough
5	Beating egg whites; kneading dough
6	<u>HIGH</u> speed for whipping cream

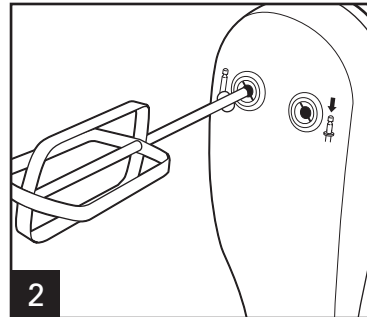
## Cookie Dough Mixing Guide

- Use a large mixing bowl so that the ingredients spread out for easier mixing.
- Butter and margarine should be at room temperature.
- Add flour 1 cup (250 ml) at a time, mixing thoroughly after each addition.
- Chips and nuts should be stirred by hand.

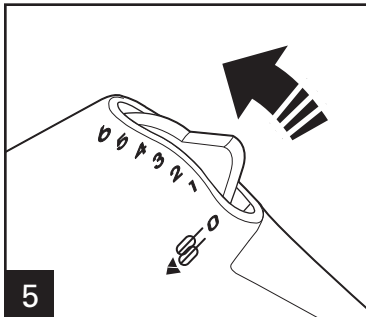
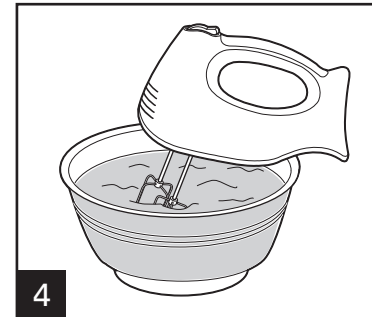
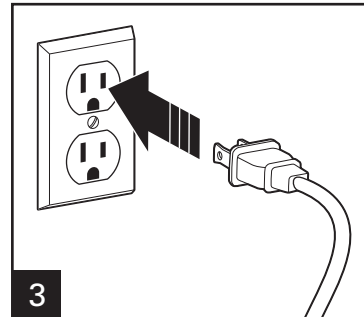
# How to Use Your Hand Mixer



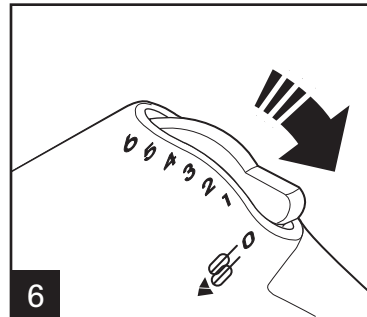
**1** Make sure mixer is unplugged and turned to **0** (OFF).



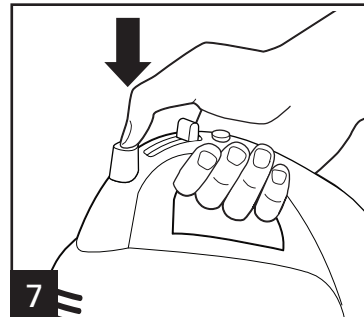
**2** Following diagrams on bottom of mixer, insert desired attachment(s) into proper openings on bottom of mixer. Push and click into place.



**5** Move speed control to desired speed. Start at 1 and increase speed as needed.

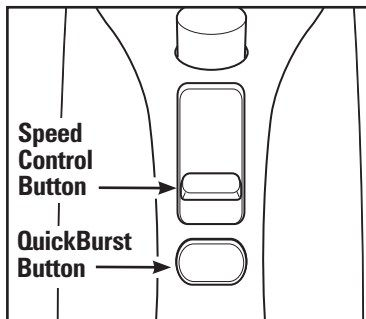


**6** When finished, turn speed control to **0** (OFF) and unplug mixer.



**7** Push eject button to eject attachments.

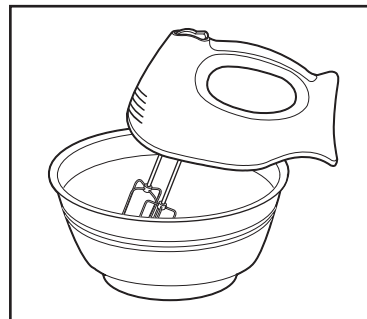
# Additional Features



## QuickBurst

Press and hold down the QuickBurst button for additional power at any speed.

**NOTE:** Do not use QuickBurst for more than two minutes at a time or motor may overheat.



## Bowl Rest

Use the Bowl Rest while adding ingredients or checking a recipe. To use, TURN MIXER OFF; then set the mixer on the edge of the bowl.

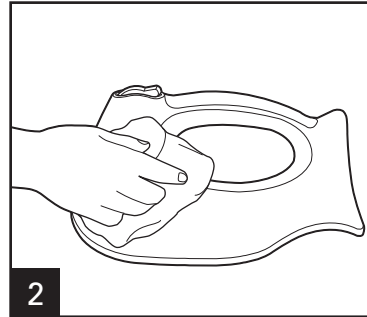
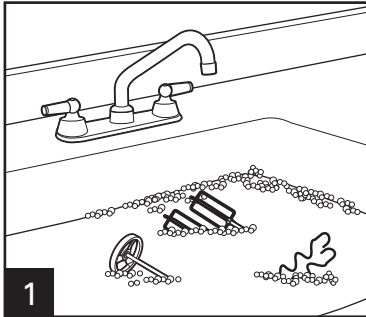
Never use Bowl Rest when mixer is on.

Do not use Bowl Rest on small or plastic mixing bowls.

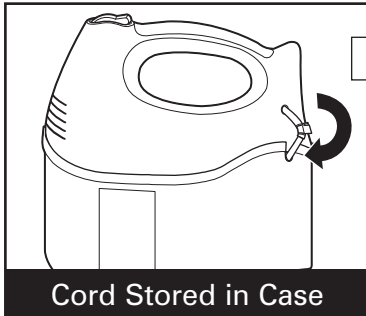
# Cleaning

**⚠ WARNING Electrical Shock Hazard.**

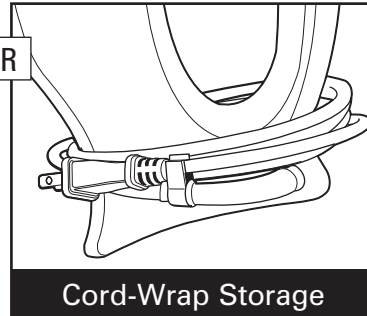
Disconnect power before cleaning. Do not immerse mixer, cord, or plug in any liquid.



# Storage Options



OR

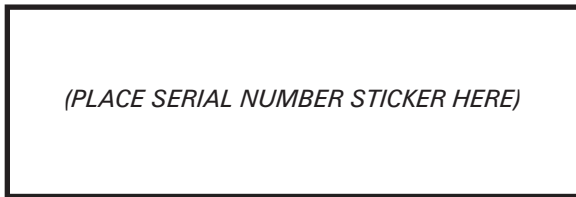


# Limited Warranty

CUSTOMER NAME: \_\_\_\_\_  
ADDRESS: \_\_\_\_\_  
PHONE NUMBER: \_\_\_\_\_  
MODEL NUMBER: \_\_\_\_\_  
DATE OF PURCHASE: \_\_\_\_\_ BILL NUMBER: \_\_\_\_\_

NAME OF DEALER: \_\_\_\_\_  
DEALER'S SIGNATURE: \_\_\_\_\_  
CUSTOMER'S SIGNATURE: \_\_\_\_\_  
STAMP:

SERIAL NUMBER:



**EXPIRY DATE:**

SHOULD ANY DEFECT IN MATERIAL OR WORKMANSHIP DEVELOP IN THE PRODUCT,

- CALL 1.800.42.555.43 OR VISIT [www.hamiltonbeach.in](http://www.hamiltonbeach.in) FOR SERVICE CENTER LOCATIONS OR
- KINDLY TAKE THE PRODUCT TO THE PLACE OF PURCHASE OR
- CALL 1.800.42.555.43 FOR SERVICE AT HOME<sup>1</sup>

THE PRODUCT OR ANY COMPONENT OF PRODUCT FOUND TO BE DEFECTIVE WILL BE REPAIRED OR REPLACED FREE OF CHARGE DURING THE WARRANTY PERIOD OF 2 YEARS, FROM THE DATE OF PURCHASE. IF THE PRODUCT OR COMPONENT IS NO LONGER AVAILABLE, WE WILL REPLACE WITH A SIMILAR ONE OF EQUAL OR GREATER VALUE.

<sup>1</sup>At-home service is limited to certain geographical areas in India; please call 1.800.42.555.43 for further details.

840231000

**VALIDITY:**

- THIS WARRANTY IS ISSUED SUBJECT TO THE PRODUCTION AND VERIFICATION OF THE ORIGINAL PROOF OF PURCHASE.
- THIS WARRANTY IS VALID IN INDIA ONLY AND IF PRODUCT HAS BEEN PURCHASED FROM AN AUTHORIZED HAMILTON BEACH DEALER.
- THIS WARRANTY DOES NOT COVER GLASS, FILTERS, WEAR FROM NORMAL USE, USE NOT IN CONFORMITY WITH THE PRINTED DIRECTIONS, OR DAMAGE TO THE PRODUCT RESULTING FROM ACCIDENT, ALTERATION, ABUSE, OR MISUSE. THIS WARRANTY ONLY EXTENDS TO THE ORIGINAL CONSUMER PURCHASER OR THE GIFT RECIPIENT.

**THE WARRANTY WILL BE CONSIDERED INVALID IF:**

- PRODUCT HAS NOT BEEN USED PER THE MANUFACTURER'S OPERATING INSTRUCTIONS.
- PRODUCT HAS BEEN SERVICED, REPAIRED, OPENED, OR TAMPERED WITH BY ANY UNAUTHORIZED PERSON.
- UNAUTHORIZED CORRECTION/ALTERATIONS IN INVOICE COPY/INSTALLATION NOTE/SERIAL NUMBER OF PRODUCT.
- INCOMPLETE WARRANTY CARD AFTER PURCHASE.
- ANY ATTACHMENTS NOT RECOMMENDED BY THE MANUFACTURER HAVE BEEN USED ON THE PRODUCT.
- PRODUCT IS USED FOR OTHER THAN SINGLE-FAMILY HOUSEHOLD USE OR SUBJECTED TO ANY VOLTAGE AND WAVEFORM OTHER THAN 220-240V~/50Hz.

7/13