

READ BEFORE USE

使用前阅读

Visit www.hamiltonbeach.cn for our complete line of products and Use and Care Guides – as well as delicious recipes, tips, and to register your product online!

有关我们所有系列产品的，使用与维护指南 – 以及美味食谱、生活小贴士和产品在线注册的更多信息，请访问 www.hamiltonbeach.cn。

Questions?

Please call us – our friendly associates are ready to help.
China: 400-852-2655

如有疑问？

请致电我们，我们的团队随时准备为您提供帮助。

中国大陆免费客服热线：

400-852-2655

官方网站：www.hamiltonbeach.cn

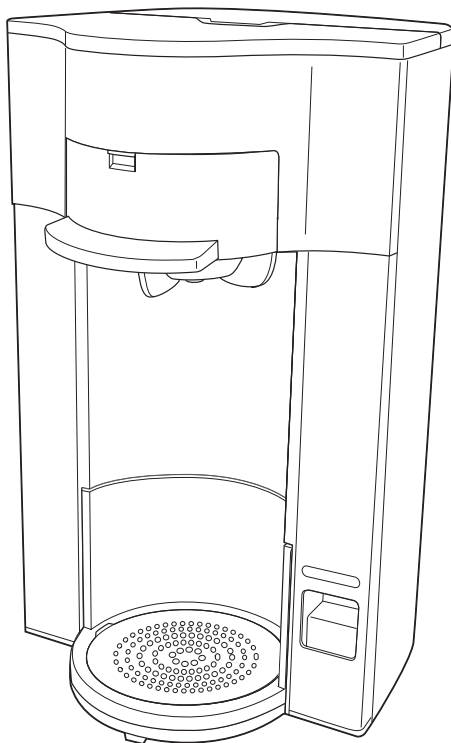
型号：49991-CN

49993-CN

此说明书中图片仅供参考，产品以实物为准。

使用本设备前，我们建议您仔细阅读这些说明。

Hamilton 汉美驰 Beach®



Single-Serve Coffeemaker 单杯咖啡机

English 2

简体中文 8

IMPORTANT SAFEGUARDS

When using electrical appliances, basic safety precautions should always be followed to reduce the risk of fire, electric shock, and/or injury to persons, including the following:

1. Read all instructions.
2. This appliance is intended to be used in household and similar applications such as: staff kitchen areas in shops, offices, and other working environments; farm houses; by clients in hotels, motels, and other residential type environments; bed and breakfast-type environments.
3. Do not touch hot surfaces. Use handles or knobs. Care must be taken, as burns can occur from touching hot parts or from spilled, hot liquid.
4. To protect against electric shock, do not place cord, plug, or coffeemaker in water or other liquid.
5. This appliance can be used by children aged from 8 years and above and persons with reduced physical, sensory, or mental capabilities or lack of experience and knowledge if they have been given supervision or instruction concerning use of the appliance in a safe way and understand the hazards involved. Children shall not play with the appliances. Cleaning and user maintenance shall not be made by children without supervision.
6. Close supervision is necessary when any appliance is used by or near children.
7. Unplug from outlet when the coffeemaker is not in use and before cleaning. Allow to cool before putting on or taking off parts and before cleaning the appliance.
8. Coffeemaker must be operated on a flat surface away from the edge of counter to prevent accidental tipping.
9. Do not operate any appliance with a damaged cord or plug, or after the appliance malfunctions or has been damaged in any manner. Call our toll-free customer service number for information on examination, repair, or adjustment.
10. The use of accessory attachments not recommended by the appliance manufacturer may cause injuries.
11. Do not use outdoors.
12. Do not let cord hang over edge of table or counter or touch hot surfaces, including stove.
13. Do not place on or near a hot gas or electric burner, or in a heated oven.
14. Do not use appliance for other than intended use.
15. **WARNING:** To reduce the risk of fire or electric shock, do not remove the bottom cover of the coffeemaker. There are no user-serviceable parts inside. Repair should be done by authorized service personnel only.
16. **CAUTION:** In order to avoid a hazard due to inadvertent resetting of the thermal cut-out, this appliance must not be supplied through an external switching device, such as a timer, or connected to a circuit that is regularly switched on and off by the utility.

SAVE THESE INSTRUCTIONS!

OTHER CONSUMER SAFETY INFORMATION

This appliance is intended for household use only.

The length of the cord used on this appliance was selected to reduce the hazards of becoming tangled in or tripping over a longer cord.

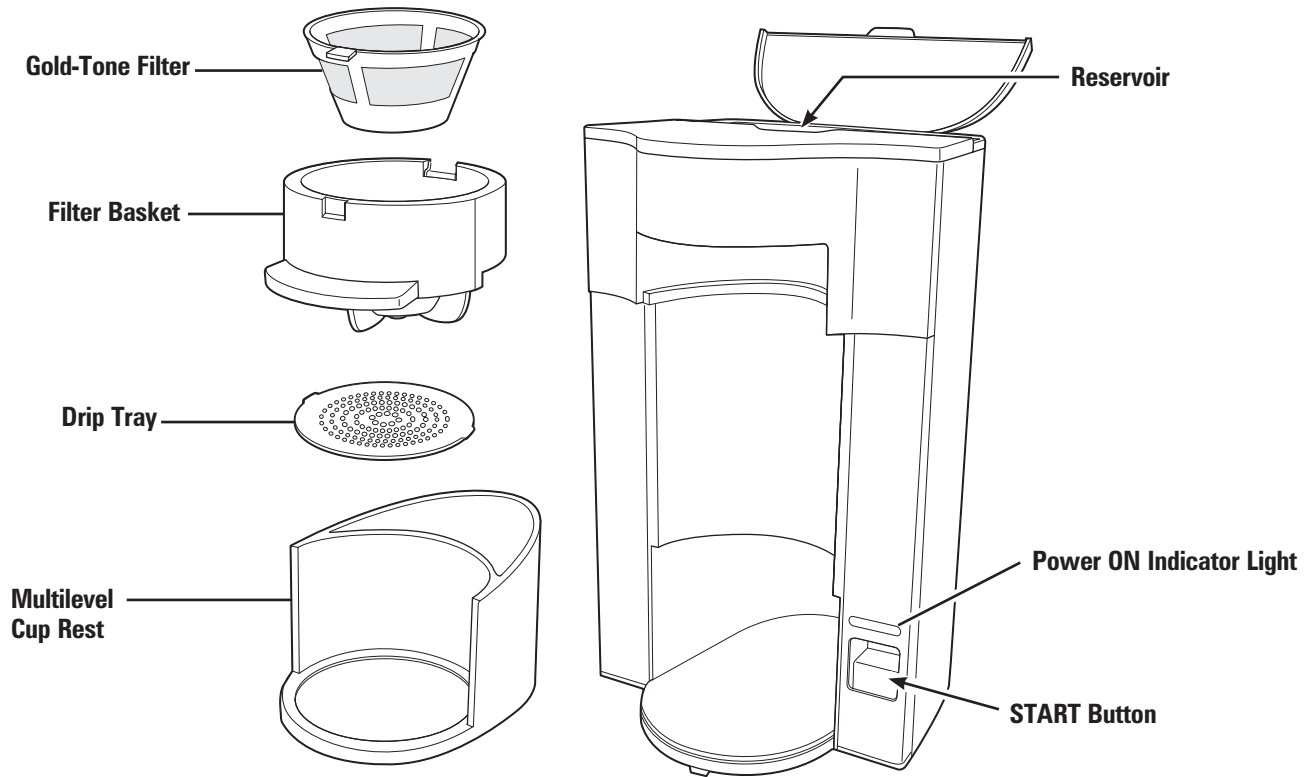
If a longer cord is necessary, an approved extension cord may be used. The electrical rating of the extension cord must be equal to or greater than the rating of the appliance. Care must be taken to

arrange the extension cord so that it will not drape over the counter-top or tabletop where it can be pulled on by children or accidentally tripped over.

To avoid an electrical circuit overload, do not use another high-wattage appliance on the same circuit with this appliance.

NOTE: For best results, allow the coffeemaker to cool for at least one minute between brewing cycles.

Parts and Features



How to Use

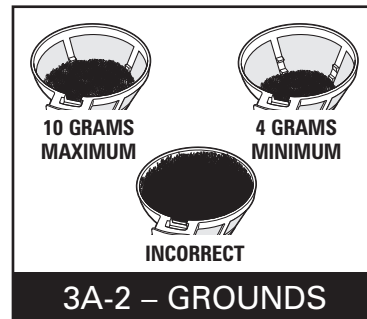
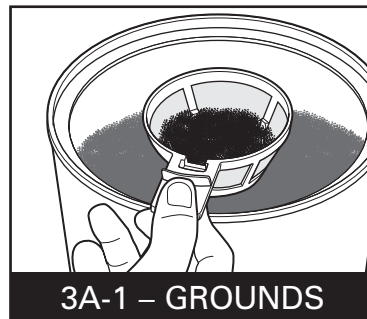
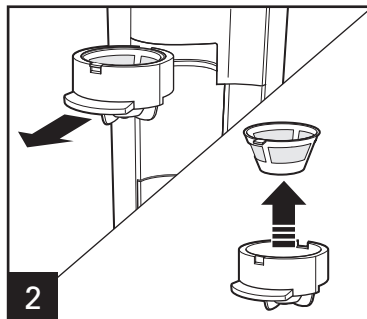
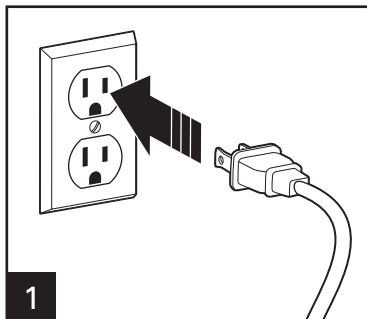
⚠ WARNING Burn Hazard.

To avoid contact with hot coffee or water:

- Do not use more than 14 ounces (410 ml) of water.

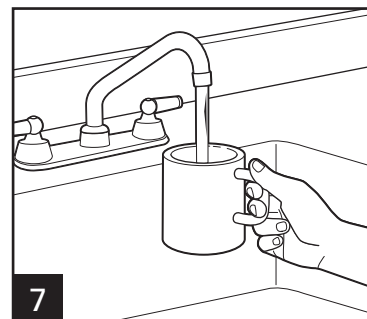
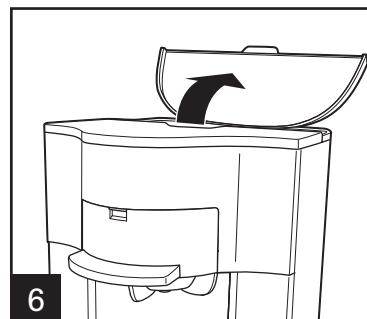
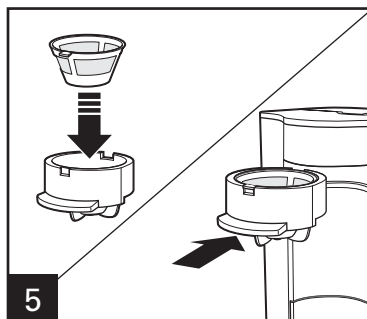
- Fully insert cup under brew basket.
- Do not remove cup until light goes off.

AUTOMATIC SHUTOFF: The coffeemaker will automatically shut off after brew cycle is complete.

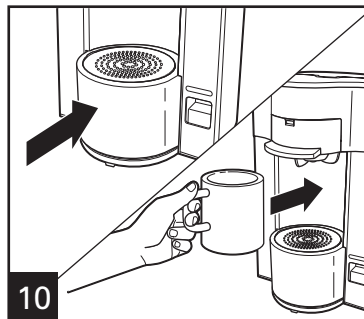
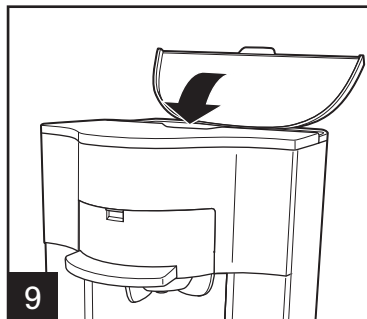
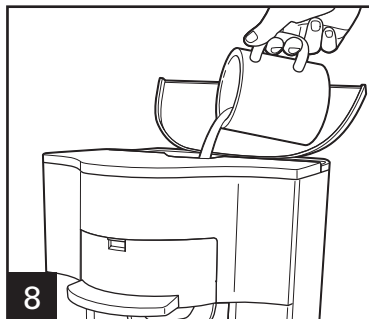


For regular coffee, use 4 to 10 grams. To avoid overflow, use slightly less grounds when brewing decaf or flavored coffees.

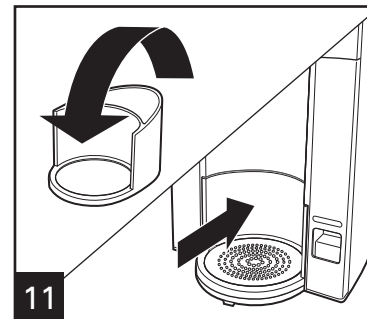
DO NOT fill filter to top or this will cause overflow.



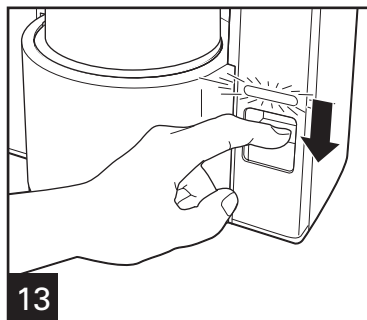
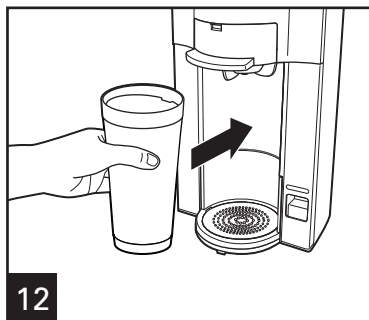
How to Use (cont.)



For hotter coffee, rinse cup with hot water before brewing.



Use the taller cup position for a larger cup, such as a travel mug.

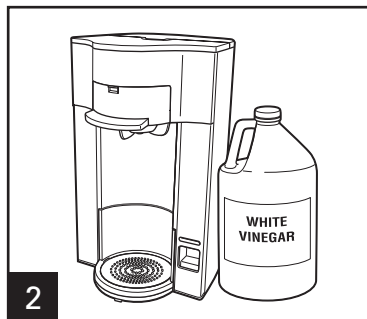
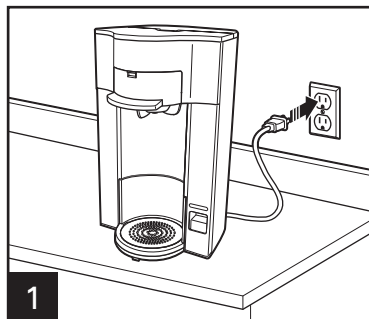


Press START button. The Power ON Indicator Light will light up to show that coffeemaker is on. **Coffeemaker will shut off automatically and light will go off when brew cycle is completed.**

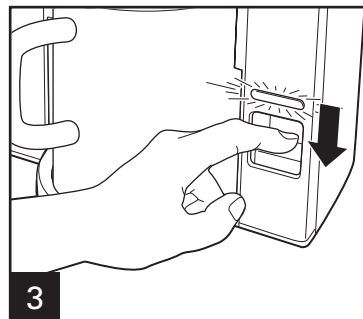
To stop brewing mid-cycle, unplug unit from outlet.

Care and Cleaning

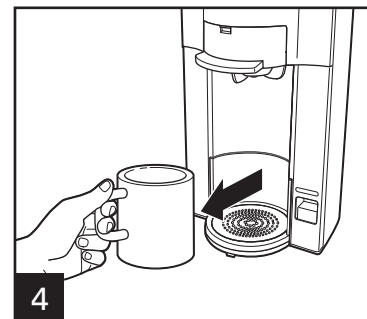
All coffeemakers should be cleaned at least once a month (once a week for areas with hard water).



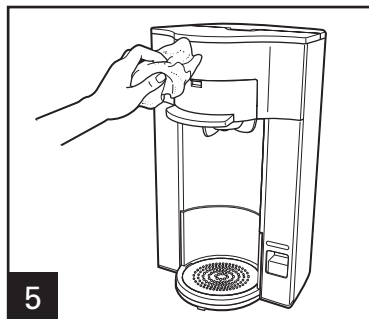
Pour 1/2 cup of plain white vinegar and 1/2 cup of cold water into reservoir.



Place a cup underneath to catch the water/vinegar solution. Press the START button once. After 30 seconds, unplug unit and allow vinegar to clean. After 30 minutes, plug in unit and allow it to finish the brew cycle. When brew cycle is finished, wait for unit to cool.



Empty cup and rinse. Repeat this process with one more cup of cold tap water.



Troubleshooting

PROBLEM

Power/light is on.

PROBABLE CAUSE

- Once the START button has been pressed, the unit will brew for one brew cycle and power off. After the light turns off, allow the unit 1 minute to cool before using again.

重要安全说明

当使用电器时，应始终遵守基本的安全防范措施，以减少火灾、触电和/或人身伤害的风险，包括以下内容：

1. 阅读所有相关说明。
2. 本电器预定用于家用及类似应用场合，例如：办公室、商铺及其它工作环境的员工厨房区；农舍；酒店、汽车旅馆和其它居住型环境的旅客使用；以及住宿早餐型环境场合。
3. 请勿接触发热表面。应使用手柄或旋钮。触摸烫热部件或溢出的热液体会导致灼伤，所以必须小心。
4. 为防止触电，请勿将电源线、插头或咖啡机放入水或其他液体中。
5. 本电器可供8岁及以上儿童使用，行动不便者、精神或智商缺陷者、缺少经验和常识者使用时，须在监督或指导下使用，以确保安全。请勿将本电器用于儿童玩耍。在无成人监管下，儿童不可执行清洁和维护。
6. 当电器由儿童使用或距离儿童较近时，需有成人看护。
7. 咖啡机不使用与清洁前，请从插座拔下插头。拆装部件、清洗器具前请先冷却。
8. 咖啡机必须在远离柜台边缘的平面上操作，以防意外倾翻。
9. 在下列情况下，请勿使用电器：电源线或插头破损、电器出现故障、电器曾跌落或已经出现任何形式的损坏。请拨打我们的免费售后服务电话，咨询有关电器检查、修理或调试的相关信息。如果电源软线损坏，为了避免危险，必须由制造商、其维修部或类似部门的专业人员更换。
10. 使用非电器制造商推荐的配套附件可能会导致受伤。
11. 请勿户外使用。
12. 请勿将电源线搭置在桌台边缘上以及与发热表面接触，包括炉子。
13. 请勿将咖啡机靠近或放置在燃气或电炉上，或放进加热烤箱内。
14. 请勿将该装置用于非预期用途。
15. **警告：**为减少火灾或触电危险，请勿取下咖啡机的底盖。内部无用户可使用的部件。应仅可由授权的维修人员进行修理。
16. **小心：**为了避免由于热熔断路器的疏忽重置导致的危险，本电器不能在外接定时器或独立的遥控控制系统的方式下运行。

请妥善保管这些说明！

其他用户安全信息

此电器建议于家庭使用。

此电器电源线的长度设计考虑减少长电源线缠绕或绊倒的危险。

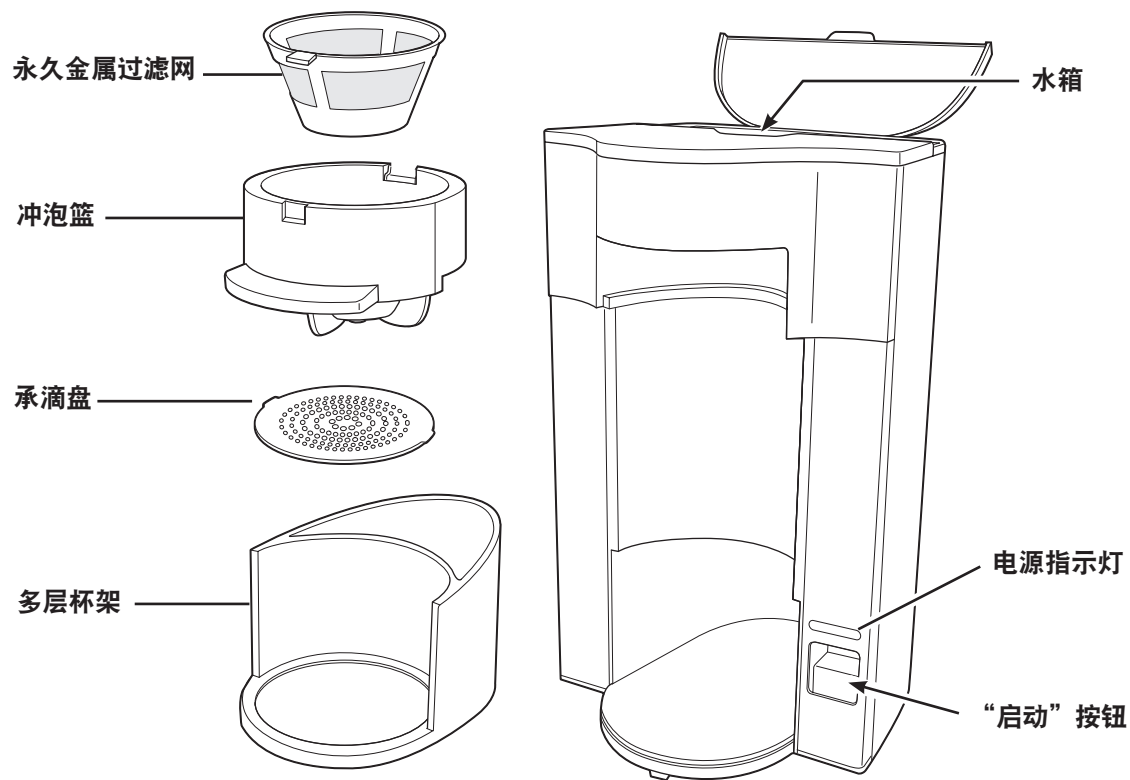
倘若需要更长的电源线，可使用认证的电源延长线。电源延长线的额定功率必须等于或大于此电器的额定功率。电源延长线使用时需特别注

意，以防将其搭设在工作台或桌面上，造成儿童扯拉或绊倒他人。

为防电路过载，请勿在此电器的同一电路上使用其他高功率电器。

注意：为实现最佳效果，应在两个冲泡循环之间，让咖啡机至少冷却一分钟。

部件和功能



如何使用

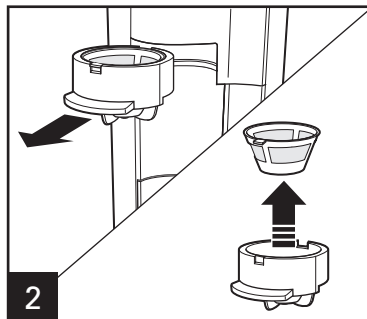
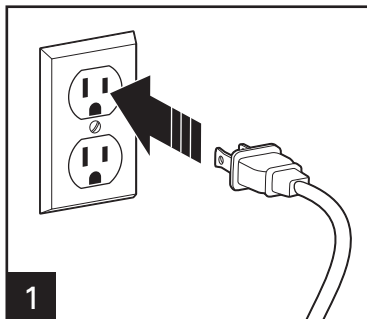
警告 烫伤危险。

避免接触热咖啡或水：

• 请勿使用 14 盎司（410 毫升）以上的水。

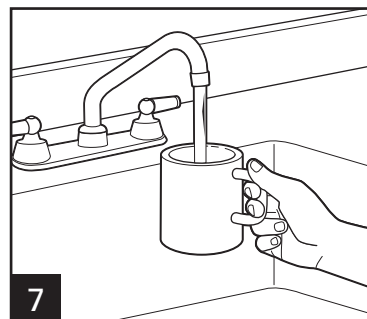
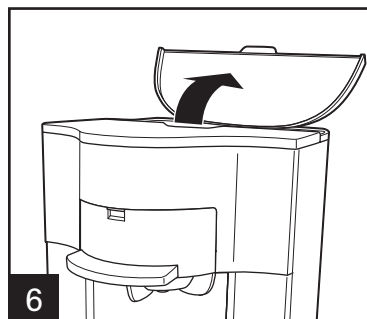
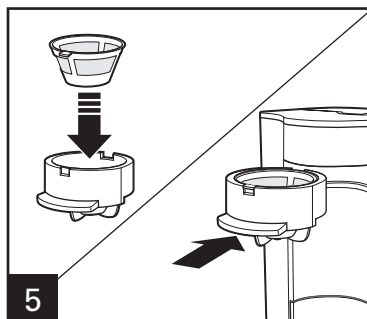
- 将杯子完全插入在冲泡篮下方。
- 待灯灭后，才能取走杯子。

自动关闭：冲泡循环完成后，咖啡机将自动关闭。

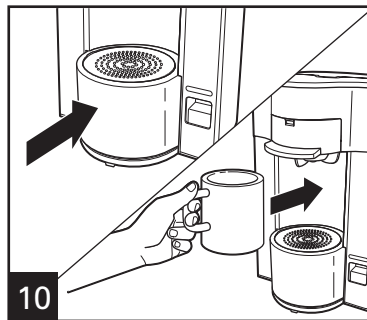
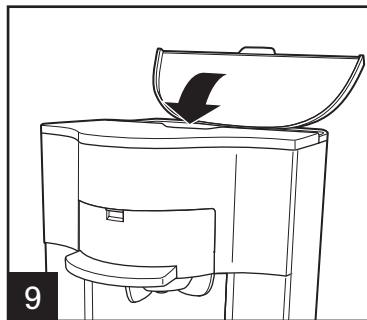
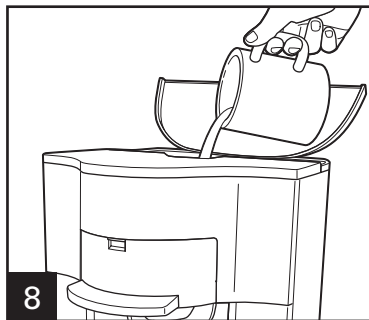


冲泡普通咖啡粉,使用4至10克。为防溢流,当冲泡Decaf(脱因咖啡)或Flavored Coffee(风味咖啡)时,适量减少咖啡粉量。

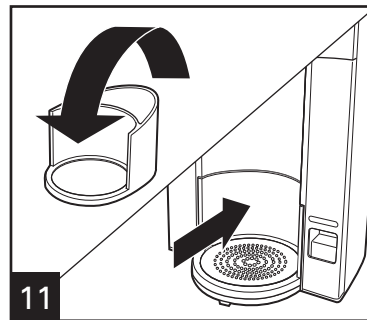
请勿冲泡过量咖啡粉,这将导致溢出。



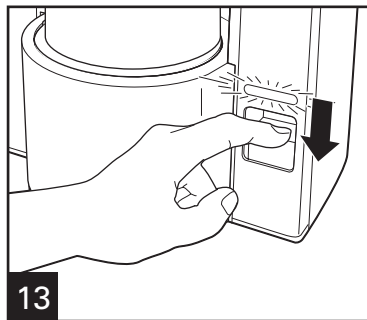
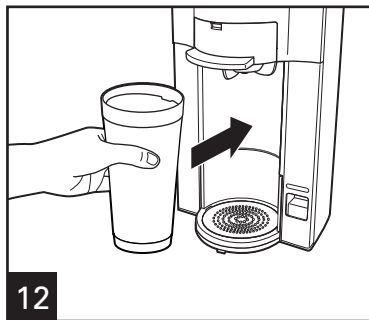
如何使用 (续)



若要冲泡更热的咖啡，在冲泡前，用热水烫洗咖啡杯。



如需用高杯（如旅行杯）冲泡咖啡，请将咖啡杯托架倒置。

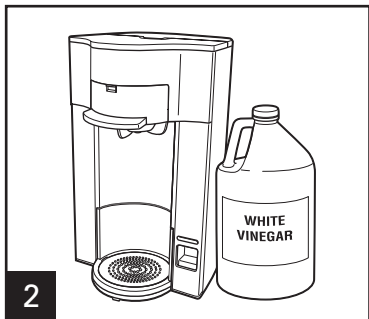
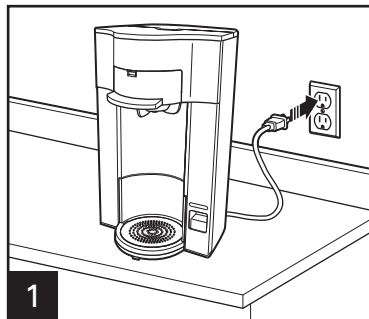


按“启动”按钮。电源指示灯将会点亮，表明咖啡机开始工作。当完成冲泡周期后，咖啡机会自动关闭，同时指示灯也会熄灭。

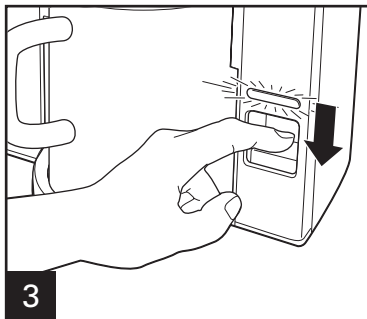
若要中途停止冲泡，请从插座上拔下电源插头。

保养与清洗

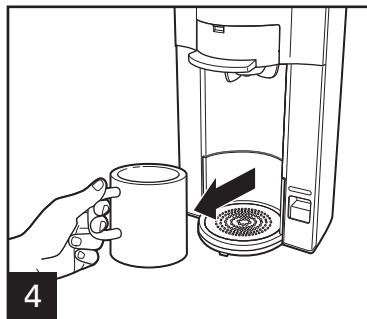
所有咖啡机每个月至少清洁一次（对于有硬质水的其他区域，每周清洁一次）。



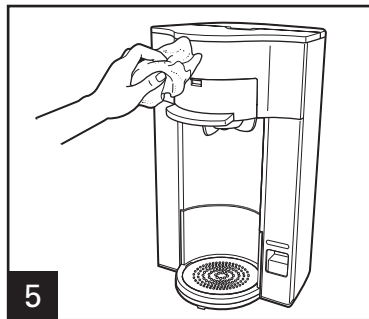
将 1/2 杯普通白醋和 1/2 杯冷水倒入水箱中。



将一个杯子放在正下方以收集水/醋溶液。按“启动”按钮一次。30 秒后，拔下装置插头，以使用醋进行清洁。30 分钟后，插上装置插头，让其完成冲泡循环。冲泡循环完成后，等待装置冷却。



倒空杯子，并冲洗干净。使用一杯以上的冷自来水重复进行此过程。



故障排除

问题

电源/指示灯亮。

可能的原因

- 一旦“启动”按钮被按过一次，咖啡机需完成一个冲泡循环后自动关闭。在指示灯关闭后，让咖啡机冷却一分钟后再使用。

Model/型号:

49991-CN

49993-CN

Type/类别:

A76

Rating/规格

220-240V~ 50/60Hz, 600-700W

Dist.: Hamilton Beach Brands, Inc., Glen Allen, VA 23060

© 2013 Hamilton Beach Brands, Inc.

以上内容如有改动，恕不预先通知

840232901