

**READ BEFORE USE
LIRE AVANT UTILISATION
LEA ANTES DE USAR**

Visit www.hamiltonbeach.com for our complete line of products and Use and Care Guides – as well as delicious recipes, tips, and to register your product online!

Rendez-vous sur www.hamiltonbeach.ca pour notre liste complète de produits et de nos manuels utilisateur – ainsi que nos délicieuses recettes et nos conseils !

iVisite www.hamiltonbeach.com (EE. UU.) o www.hamiltonbeach.com.mx (México) para ver otros productos de Hamilton Beach o para contactarnos!

Questions?

**Please call us – our friendly associates are ready to help.
USA: 1.800.851.8900**

Questions ?

N'hésitez pas à nous appeler – nos associés s'empresseront de vous aider.

CAN : 1.800.267.2826

¿Preguntas?

Por favor llámenos – nuestros amables representantes están listos para ayudar.

EE. UU.: 1.800.851.8900

MEX: 01 800 71 16 100

Le invitamos a leer cuidadosamente este instructivo antes de usar su aparato.

Hamilton Beach®

6-Slice *EasyReach*™ Toaster Oven Four grille-pain à 6 tranches Horno Tostador para 6 Rebanadas



English	2
Français.....	13
Español	24

⚠️ WARNING



Fire Hazard.

- If contents ignite, do not open oven door. Unplug oven and allow contents to stop burning and cool before opening door.
- Do not operate unattended while in Toast or Broil modes.
- Do not use with oven cooking bags.
- Do not heat taco shells in toaster oven. Always use full-size conventional oven.
- Always allow at least one inch between food and heating element.
- Always unplug toaster oven when not in use.
- Regular cleaning reduces risk of fire hazard.

IMPORTANT SAFEGUARDS

When using electrical appliances, basic safety precautions should always be followed to reduce the risk of fire, electric shock, and/or injury to persons, including the following:

1. Read all instructions.
2. This appliance is not intended for use by persons (including children) with reduced physical, sensory, or mental capabilities, or lack of experience and knowledge, unless they are closely supervised and instructed concerning use of the appliance by a person responsible for their safety.
3. Close supervision is necessary when any appliance is used by or near children. Children should be supervised to ensure that they do not play with the appliance.
4. Do not touch hot surfaces. Use handles or knobs.
5. To protect against electric shock, do not immerse cord, plug, or toaster oven in water or other liquid.
6. Unplug from outlet when not in use and before cleaning. Allow to cool before cleaning appliance and putting on or taking off parts.
7. Do not operate any appliance with a damaged supply cord or plug, or after the appliance malfunctions or has been dropped or damaged in any manner. Supply cord replacement and repairs must be conducted by the manufacturer, its service agent, or similarly qualified persons in order to avoid a hazard. Call the provided customer service number for information on examination, repair, or adjustment.
8. The use of accessory attachments not recommended by the appliance manufacturer may cause injuries.
9. Do not use outdoors.
10. Do not let cord hang over edge of table or counter or touch hot surfaces.
11. Do not place on or near a hot gas or electric burner or in a heated oven.
12. Extreme caution must be used when moving an appliance containing hot oil or other hot liquids.
13. To disconnect, turn all controls to OFF (O); then remove plug from wall outlet.
14. Use extreme caution when removing pan or disposing of hot grease.

15. Do not clean with metal scouring pads. Pieces can break off the pad and touch electrical parts, creating a risk of electrical shock.
16. Oversize foods or metal utensils must not be inserted in a toaster oven as they may create a fire or risk of electric shock.
17. A fire may occur if the toaster oven is covered, touching, or near flammable material, including curtains, draperies, walls, and the like, when in operation. Do not store any item on top of the appliance when in operation or before the appliance cools down.
18. Extreme caution should be exercised when using containers constructed of materials other than metal or glass.
19. Do not store any materials, other than manufacturer-recommended accessories, in this oven when not in use.
20. Do not place any of the following materials in the oven: paper, cardboard, plastic, and the like.
21. Do not cover crumb tray or any part of the oven with metal foil. This will cause overheating of the oven.
22. To turn oven off, turn timer to OFF (O) position. See "Parts and Features" section.
23. Do not place eyes or face in close proximity with tempered safety glass door, in the event that the safety glass breaks.
24. Always use appliance with crumb tray securely in place.
25. Do not use appliance for other than intended use.
26. Clean oven interior carefully. Do not scratch or damage heating element tube.
27. Do not operate the appliance by means of an external timer or separate remote-control system.

SAVE THESE INSTRUCTIONS!

Other Consumer Safety Information

This appliance is intended for household use only.

⚠ WARNING Electrical Shock Hazard: This appliance is provided with a polarized plug (one wide blade) to reduce the risk of electric shock. The plug fits only one way into a polarized outlet. Do not defeat the safety purpose of the plug by modifying the plug in any way or by using an adapter. If the plug does not fit fully into the outlet, reverse the plug. If it still does not fit, have an electrician replace the outlet.

The length of the cord used on this appliance was selected to reduce the hazards of becoming tangled in or tripping over a longer cord. If a longer cord is necessary, an approved extension cord may be used. The electrical rating of the extension cord must be

equal to or greater than the rating of the appliance. Care must be taken to arrange the extension cord so that it will not drape over the countertop or tabletop where it can be pulled on by children or accidentally tripped over.

To avoid an electrical circuit overload, do not use another high-wattage appliance on the same circuit with this appliance.

BEFORE FIRST USE

Most heating appliances produce an odor and/or smoke when used the first time. Plug the toaster oven into an outlet. Turn Temperature Dial to 450°F (230°C). Heat at this temperature for 10 minutes. The odor should not be present after this initial preheating. **Wash baking pan and oven rack before using.**

Parts and Features

To order parts:

US: 1.800.851.8900

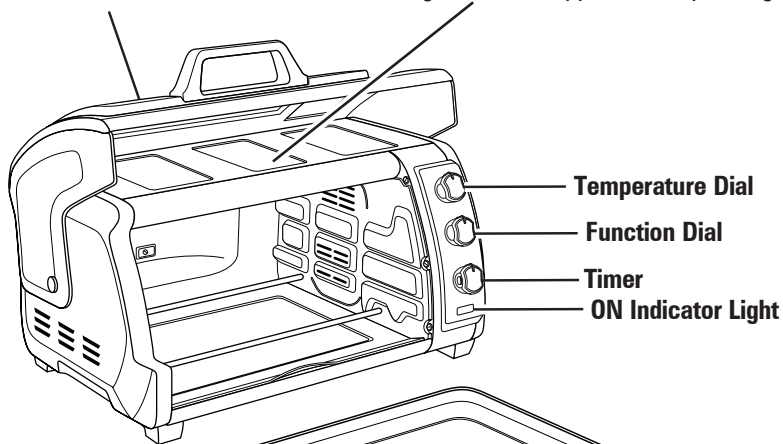
www.hamiltonbeach.com

Canada: 1.800.267.2826

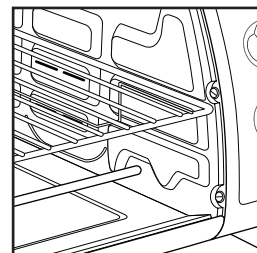
Mexico: 01 800 71 16 100

 **CAUTION: HOT SURFACE.** The temperature of accessible surfaces may be high when the appliance is operating.

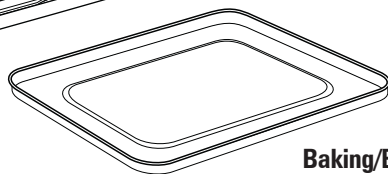
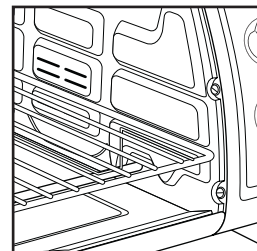
Oven Door



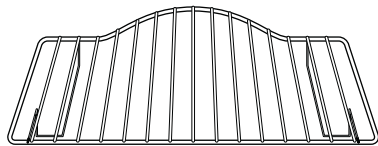
HIGH RACK POSITION:
toasting and broiling



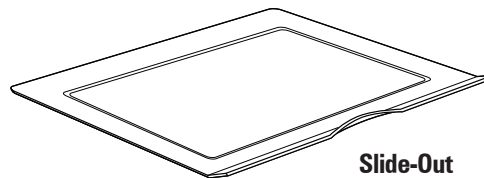
LOW RACK POSITION:
baking



Baking/Broiling Pan



Toasting/Baking/Broiling Oven Rack



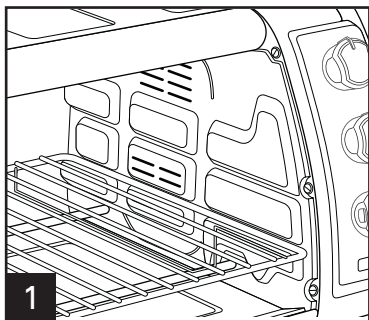
Slide-Out
Crumb Tray

How to Toast

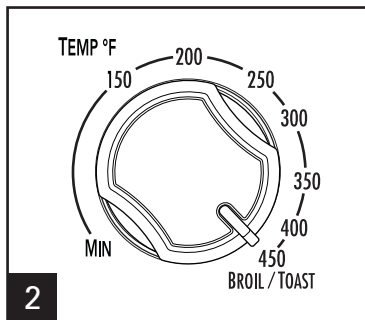
⚠️ WARNING Fire Hazard.

- If contents ignite, do not open oven door. Unplug oven and allow contents to stop burning and cool before opening door.

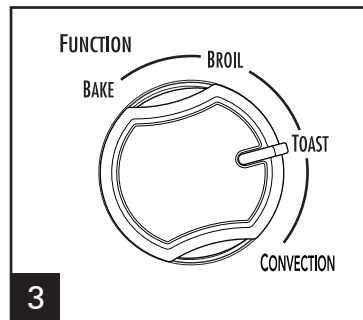
- Do not operate with door open or removed.
- Do not leave appliance unattended when in operation.
- Always unplug toaster oven when not in use.



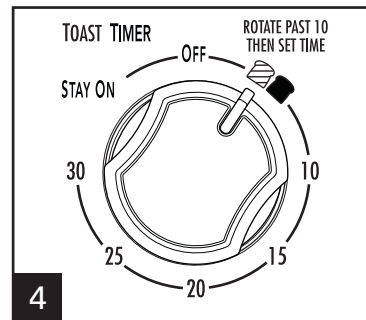
Plug in toaster oven. Place oven rack in **HIGH RACK POSITION** (shown) for toast, English muffins, bagels, and waffles.



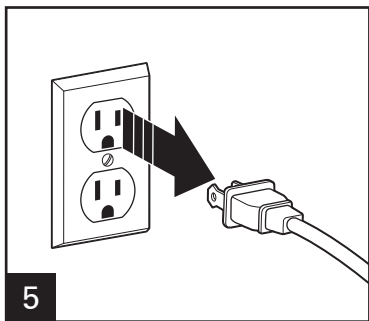
Turn Temperature Dial to maximum temperature. Place food in oven.



Turn Function Dial to **TOAST**.



Rotate Timer past 10 and then back to desired toast color. A bell will sound when the toast cycle is complete.



- **When toasting only two slices of bread**, place bread in middle of oven rack to get even toasting on top and bottom.
- **To toast bagels, English muffins, and waffles**, place oven rack in **HIGH RACK POSITION** and place food cut/split side facing up. This will toast the cut/split side more than the outside food. Set Timer to desired setting.
- **To toast regular toaster pastries or frozen pastries**, place oven rack in the **HIGH RACK POSITION**. Select a lighter color and toast directly on the oven rack. If pastry has a glaze or frosting, use baking pan.

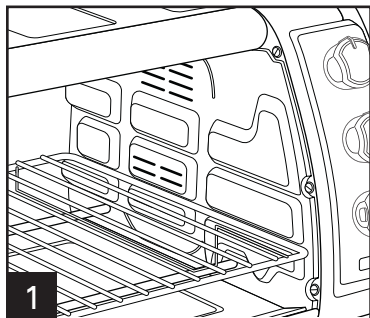
- When toasting, **condensation** may form on the oven door. The moisture will slowly escape from the enclosed oven.
- The **number of slices** of bread and the **bread freshness** will affect toast color. For example, toasting 4 slices of bread will require a darker toast color setting than 2 slices of bread. Adjust the Timer based on desired color and number of slices.
- If you are not satisfied with the color balance between the two sides of your food in the recommended rack position, select a different rack position.

How to Bake

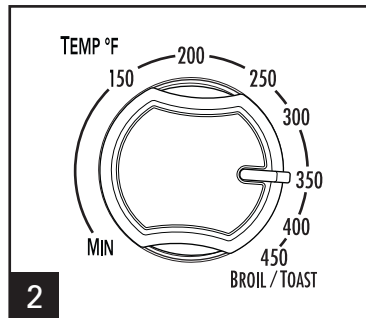
⚠ WARNING Fire Hazard.

- If contents ignite, do not open oven door. Unplug oven and allow contents to stop burning and cool before opening door.

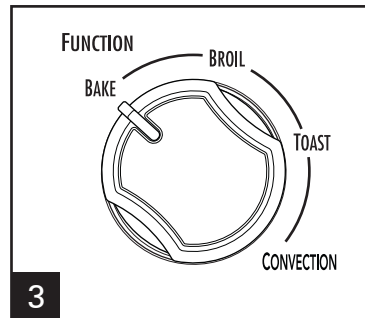
- Do not use oven cooking bags.
- Do not operate with door open or removed.
- Always allow at least 1 inch (2.5 cm) between food and heating element.
- Always unplug toaster oven when not in use.



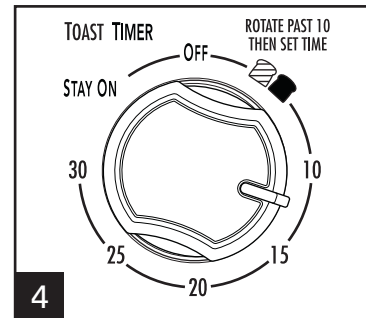
1 Plug in toaster oven. Place oven rack on **LOW RACK POSITION** (shown).



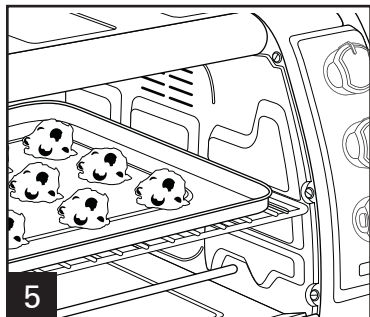
2 Turn Temperature Dial to desired temperature.



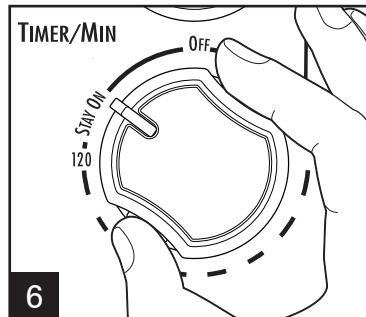
3 Turn Function Dial to **BAKE**.



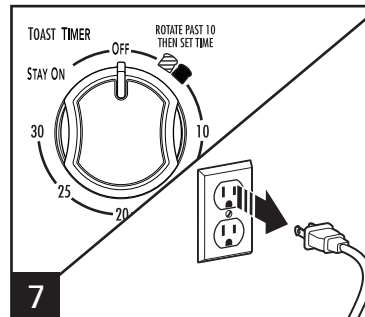
4 Rotate Timer past 10 and let oven preheat for 5 minutes prior to placing food in oven.



5 Place the baking pan on oven rack. Set Timer to desired time by rotating Timer past 10 and then to desired baking time or rotate Timer to **STAY ON** while pressing in and holding the buttons on the side of the dial.



6



7 When finished, turn Timer dial to **OFF (O)** and unplug.

How to Bake (cont.)

- Do not totally enclose foods in aluminum foil. Foil can insulate foods and slow down heating.
- To reheat rolls or biscuits, place on baking pan and heat at 300°F (149°C) for 10 minutes.
- Reheat leftover roasts or casseroles at 350°F (177°C) for 20 to 30 minutes or until heated through.
- Bake foods, such as pizza, on the **LOW RACK POSITION**. Place food directly on oven rack or in baking pan.
- Bake foods, such as a whole chicken, on the **LOW RACK POSITION**. Place food in baking pan.
- Convection mode: When baking pizza, use convection setting and reduce cooking time by 25%.
- Turn foods halfway through cooking time.

Visit **foodsafety.gov** for more safe cooking temperature information.

IF YOU LIVE IN A HIGH-ALTITUDE AREA:

The Extension service will have detailed information about cooking for your area. To locate the Cooperative Extension service in your county, please visit:

<http://www.csrees.usda.gov/Extension/>.

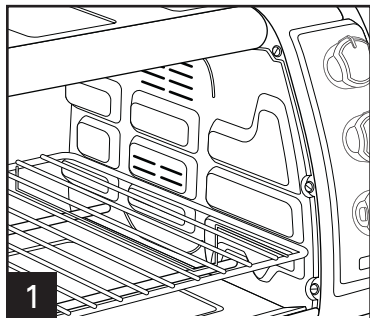
Convection Bake

(on select models)

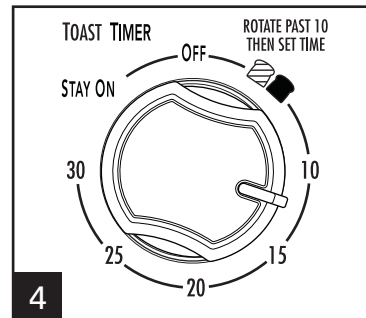
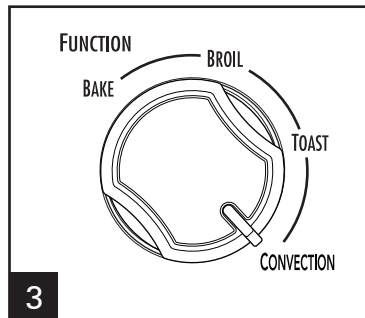
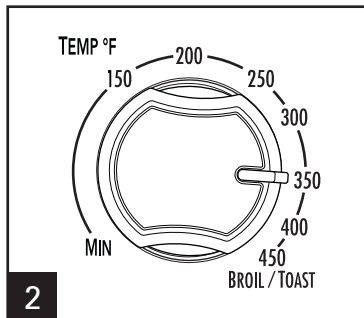
⚠️ WARNING Fire Hazard.

- If contents ignite, do not open oven door. Unplug oven and allow contents to stop burning and cool before opening door.

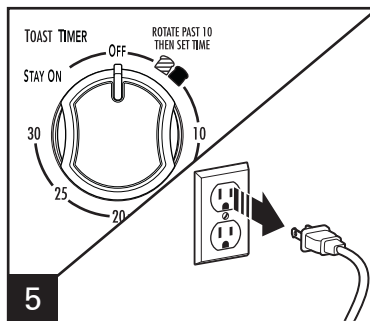
- Do not use oven cooking bags.
- Always allow at least 1 inch (2.5 cm) between food and heating element.
- Always unplug toaster oven when not in use.



Plug in toaster oven. Place oven rack on **LOW RACK POSITION**. Turn Temperature Dial to desired temperature.



Turn Function Dial to **CONVECTION**. Rotate Timer past 10 and then let oven preheat for 5 minutes before beginning to bake. After oven is preheated, set Timer to desired time by rotating Timer past 10 and then to desired baking time or rotate Timer to **STAY ON** while pressing in and holding the buttons on the side of the dial.



When finished, turn Timer dial to **OFF (O)** and unplug.

TIPS FOR USING CONVECTION BAKE

NOTE: Convection Bake forces more air to circulate in the oven, so food will cook faster than the conventional **BAKE** setting.

- Bake at the same oven temperature but for a shorter period of time.

OR

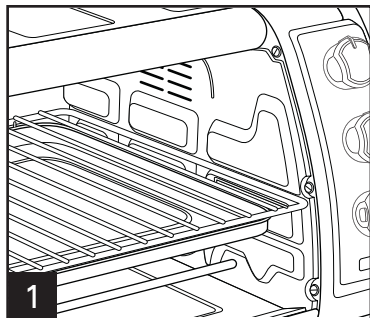
- Bake for the same length of time as the conventional **BAKE** setting, but reduce the temperature by about 25 degrees.
- When baking pizza, use convection setting and reduce cooking time by 25%.

How to Broil

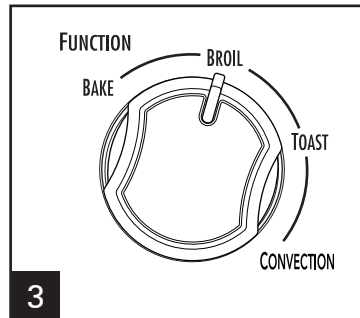
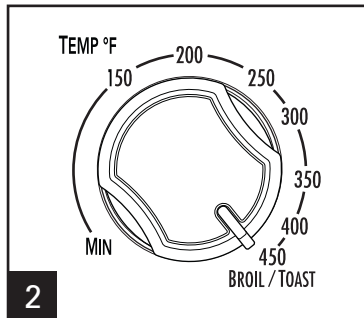
⚠ WARNING Fire Hazard.

- If contents ignite, do not open oven door. Unplug oven and allow contents to stop burning and cool before opening door.
- Do not leave oven unattended during operation.

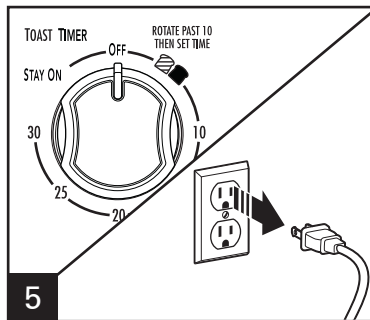
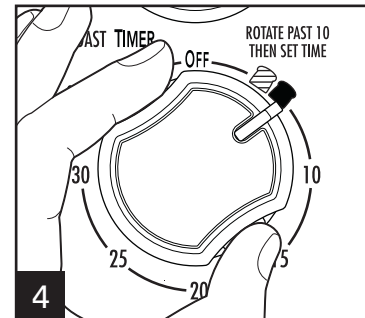
- Do not operate with door open or removed.
- Keep 1 inch (2.5 cm) between food and heating element.
- Do not use oven cooking bags.
- Do not heat foods in plastic containers.
- Follow food manufacturer's instructions.



Plug in toaster oven. Slide oven rack into **HIGH RACK POSITION**. Insert baking/broiling pan in slots under the oven rack and add food to rack. **DO NOT PREHEAT OVEN**. Turn Temperature Dial to **BROIL/TOAST**.



Turn Function Dial to **BROIL**. Rotate Timer past 10 and then to the desired broiling time or rotate Timer to **STAY ON** while pressing in and holding the buttons on the side of the dial. Turn foods when browned or halfway through cooking time.



When finished, turn Timer dial to **OFF (O)** and unplug.

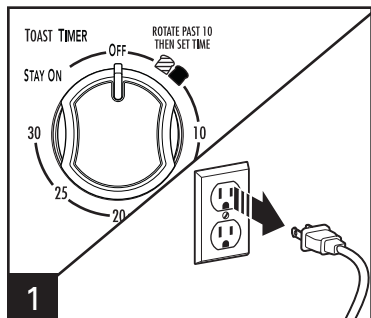
- Cook beef to at least 145°F (63°C).
- Cook ground meat and pork to at least 160°F (71°C).
- Cook chicken to at least 165°F (73°C).
- Cook fish until at least 145°F (63°C) or until opaque or flakes with a fork.

Visit foodsafety.gov for more safe cooking temperature information.

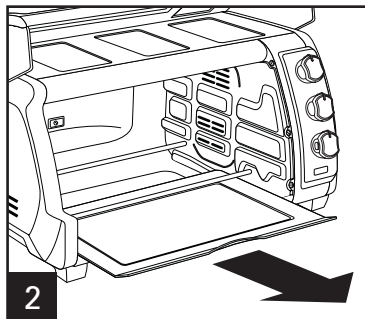
Care and Cleaning

⚠ WARNING Electrical Shock Hazard.

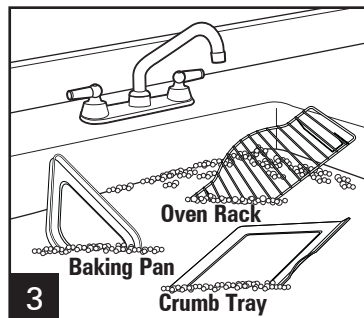
Do not clean with metal scouring pads. Pieces can break off pad and touch electrical parts.



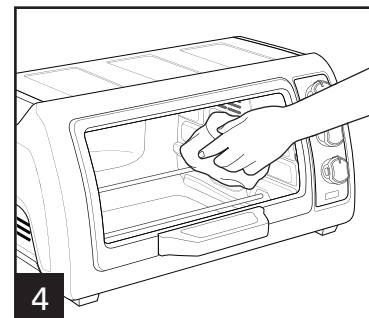
When finished, turn Timer dial to **OFF (O)** and unplug.



To clean inside of oven, wipe oven walls, bottom of oven, and glass door with a damp, soapy cloth. Repeat with a damp, clean cloth. For stubborn stains, use a plastic scouring pad.



Hand wash in warm, soapy water, rinse, and dry.



Wipe outside of oven with a damp cloth. Do not use abrasive cleansers or metal scouring pads.

Troubleshooting

PROBLEM	PROBABLE CAUSE/SOLUTION
Oven will not heat.	<ul style="list-style-type: none">• Check to make sure electrical outlet is working and the oven is plugged in. Turn Temperature Dial to 350°F (177°C) and turn Timer to STAY ON while pressing in and holding the buttons on the side of the dial.
Moisture forms on inside of oven door when toasting.	<ul style="list-style-type: none">• This is normal when toasting in a toaster oven. Moisture is slower to escape from a toaster oven than from a toaster. The amount of moisture will differ between fresh bread, bagels, and frozen pastries.
An odor and smoke come from oven.	<ul style="list-style-type: none">• Smoke and odor are normal during first use of most heating appliances. These will not be present after initial heating period.
Oven will not toast.	<ul style="list-style-type: none">• Check to make sure outlet is working and oven is plugged in. Turn Temperature Dial to ☞ (toast) and rotate Timer past 10 and then back to desired toast color.
Some foods burn and some are not done.	<ul style="list-style-type: none">• Adjust oven temperature or cooking time for best results with your recipes.
Concentrated steam comes out of top corners of oven door.	<ul style="list-style-type: none">• Moisture escaping from oven will be concentrated into streams from the top corners of the door. This gives the appearance of smoke. This is normal for this product.

Visit www.hamiltonbeach.com for our complete line of products and Use and Care Guides – as well as delicious recipes, tips, and to register your product online!

Limited Warranty

This warranty applies to products purchased and used in the U.S. and Canada. This is the only express warranty for this product and is in lieu of any other warranty or condition.

This product is warranted to be free from defects in material and workmanship for a period of five (5) years from the date of original purchase in Canada and one (1) year from the date of original purchase in the U.S. During this period, your exclusive remedy is repair or replacement of this product or any component found to be defective, at our option; however, you are responsible for all costs associated with returning the product to us and our returning a product or component under this warranty to you. If the product or component is no longer available, we will replace with a similar one of equal or greater value.

This warranty does not cover glass, filters, wear from normal use, use not in conformity with the printed directions, or damage to the product resulting from accident, alteration, abuse, or misuse. This warranty extends only to the original consumer purchaser or gift recipient. Keep the original sales receipt, as proof of purchase is required to make a warranty claim. This warranty is void if the product is used for other than single-family household use or subjected to any voltage and waveform other than as specified on the rating label (e.g., 120V ~ 60 Hz).

We exclude all claims for special, incidental, and consequential damages caused by breach of express or implied warranty. All liability is limited to the amount of the purchase price. **Every implied warranty, including any statutory warranty or condition of merchantability or fitness for a particular purpose, is disclaimed except to the extent prohibited by law, in which case such warranty or condition is limited to the duration of this written warranty.** This warranty gives you specific legal rights. You may have other legal rights that vary depending on where you live. Some states or provinces do not allow limitations on implied warranties or special, incidental, or consequential damages, so the foregoing limitations may not apply to you.

To make a warranty claim, do not return this appliance to the store. Please call 1.800.851.8900 in the U.S. or 1.800.267.2826 in Canada or visit hamiltonbeach.com in the U.S. or hamiltonbeach.ca in Canada. For faster service, locate the model, type, and series numbers on your appliance.

⚠️ AVERTISSEMENT



Danger d'incendie.

- Si le contenu de votre grille-pain se met à brûler, n'ouvrez jamais la porte du grille-pain. Débranchez l'appareil et laissez le contenu s'arrêter de brûler avant d'ouvrir la porte.
- Ne faites jamais fonctionner en modes TOAST ou BROIL sans surveillance.
- N'utilisez jamais avec des sacs de cuisson au four.
- Ne pas faire chauffer les coquilles à taco dans le four grille-pain. Toujours faire réchauffer dans un four conventionnel.
- Laissez toujours au moins un pouce libre entre les aliments et l'élément de chauffage.
- Débranchez toujours votre grille-pain quand vous ne l'utilisez pas.
- Un nettoyage régulier réduit le danger d'incendie.

PRÉCAUTIONS IMPORTANTES

Pour utiliser un appareil électroménager, vous devez toujours prendre des mesures élémentaires de sécurité pour réduire le risque d'incendie, d'électrocution et/ou de blessure corporelle, en particulier les mesures suivantes :

1. Lire toutes les instructions.
2. Cet appareil n'est pas destiné à être utilisé par des personnes (y compris les enfants) dont les capacités physiques, sensorielles ou mentales sont réduites, ou manquant d'expérience et de connaissance, sauf si elles sont étroitement surveillées et instruites sur l'utilisation de l'appareil par une personne responsable de leur sécurité.
3. Une surveillance étroite est requise pour tout appareil utilisé par ou près des enfants. Surveiller que les enfants ne jouent pas avec l'appareil.
4. Ne pas toucher les surfaces chaudes. Utiliser les poignées ou boutons.
5. Pour protéger contre le risque de choc électrique, ne pas immerger le cordon, la fiche ou le four grille-pain dans l'eau ou autre liquide.
6. Débrancher l'appareil de la prise de courant électrique lorsqu'il n'est pas utilisé et avant un nettoyage. Le laisser refroidir avant le nettoyage et avant d'y placer ou d'y enlever des pièces.
7. Ne pas faire fonctionner un appareil électroménager avec un cordon ou une fiche endommagée, ou lorsque l'appareil ne fonctionne pas bien ou a été échappé ou endommagé d'une manière quelconque. Le remplacement et la réparation du cordon d'alimentation doivent être faits par le fabricant, son agent de service ou toute personne qualifiée de façon à éviter tout danger. Appeler le numéro de service à la clientèle fourni pour des renseignements concernant l'examen, la réparation ou l'ajustement.
8. L'utilisation d'accessoires non recommandés par le fabricant d'appareil peut causer des blessures.
9. Ne pas utiliser à l'extérieur.
10. Ne pas laisser le cordon pendre du bord d'une table ou d'un comptoir, ou toucher des surfaces chaudes.
11. Ne pas placer l'appareil sur ou près d'un brûleur chaud à gaz ou d'un élément électrique, ou dans un four chauffé.
12. Une précaution extrême doit être employée lors du déplacement d'un appareil électroménager contenant de l'huile chaude ou autre liquide chaud.
13. Pour débrancher l'appareil, tourner tous les réglages à OFF (O/arrêt), ensuite retirer la fiche de la prise de courant murale.
14. Une prudence extrême s'impose lors de l'enlèvement du plateau ou de la vidange de graisse chaude.

15. Ne pas nettoyer avec des tampons à récurer en métal. Des particules peuvent se détacher du tampon et toucher les pièces électriques, créant un risque de choc électrique.
16. Des aliments ou des ustensiles de métal de grosseur excessive ne doivent pas être insérés dans un four grille-pain, car ils peuvent créer un incendie ou un risque de choc électrique.
17. Un incendie peut survenir si le four grille-pain est recouvert, touche ou est près de matériaux inflammables, y compris rideaux, tentures, murs et autres articles semblables, lorsqu'il fonctionne. Ne pas remettre des articles sur le dessus de l'appareil lorsqu'il est utilisé, ou avant le refroidissement de l'appareil.
18. Une grande précaution doit être prise lors de l'utilisation de contenants construits en matériaux autre que le métal ou le
19. Ne pas remettre des matériaux autres que les accessoires recommandés par le fabricant dans cet appareil lorsqu'il n'est pas utilisé.
20. Ne pas placer l'un des matériaux suivants dans le four : papier, carton, plastique et articles semblables.
21. Ne pas couvrir le plateau à miettes ou toute pièce du four avec du papier métallique. Ceci causera un surchauffage du four.
22. Pour éteindre le four, tourner la bouton de minuterie à la position OFF (O/arrêt). Veuillez vous référer aux sections détaillées d'utilisation.
23. Ne pas placer les yeux ou le visage près de la porte en verre renforcé de sécurité, au cas où le verre de sécurité se briserait.
24. Toujours utiliser cet appareil avec le plateau à miettes bien en place.
25. Ne pas utiliser cet appareil pour tout autre usage que celui recommandé.
26. Nettoyer l'intérieur du four avec précaution. Ne pas égratigner ou endommager le tube de l'élément chauffant.
27. Ne pas faire fonctionner l'appareil en utilisant une minuterie externe ou un système de télécommande distinct.

CONSERVER CES INSTRUCTIONS

Renseignements de sécurité aux consommateurs

Cet appareil est destiné à un usage domestique uniquement.

⚠ AVERTISSEMENT Risque de choc électrique : Cet appareil est fourni avec une fiche polarisée (une broche large) pour réduire le risque d'électrocution. Cette fiche n'entre que dans un seul sens dans une prise polarisée. Ne contrecarrez pas l'objectif sécuritaire de cette fiche en la modifiant de quelque manière que ce soit ou en utilisant un adaptateur. Si vous ne pouvez pas insérer complètement la fiche dans la prise, inversez la fiche. Si elle refuse toujours de s'insérer, faire remplacer la prise par un électricien.

La longueur du cordon installé sur cet appareil a été sélectionnée afin de réduire les risques d'enchevêtrement ou de faux pas causés par un fil trop long. L'utilisation d'une rallonge approuvée est permise si le cordon est trop court. Les caractéristiques électriques de la rallonge doivent être équivalentes ou supérieures

aux caractéristiques de l'appareil. Prendre toutes les précautions nécessaires pour installer la rallonge de manière à ne pas la faire courir sur le comptoir ou sur une table pour éviter qu'un enfant ne tire sur le cordon ou trébuché accidentellement.


Pour éviter la surcharge du circuit électrique, ne pas utiliser un autre appareil à haute puissance sur le même circuit que cet appareil.

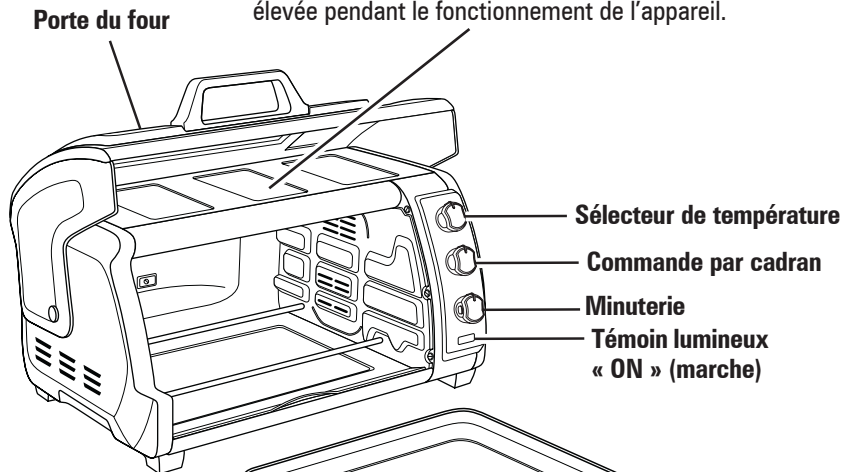
AVANT LA PREMIÈRE UTILISATION

La plupart des appareils ménagers qui chauffent produisent une odeur et/ou une fumée lors de l'utilisation pour la première fois. Brancher le four grille-pain dans une prise de courant. Tourner le Selecteur de température à 230 °C (450 °F). Chauffer à cette température pendant 10 minutes. L'odeur ne devrait pas survenir après ce préchauffage initial. **Nettoyer le plat à cuisson et la grille du four avant l'utilisation.**

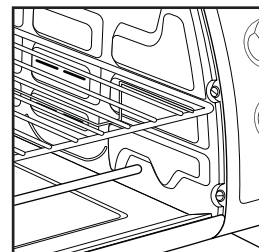
Pièces et caractéristiques

Pour commander des pièces :
Canada : 1.800.267.2826

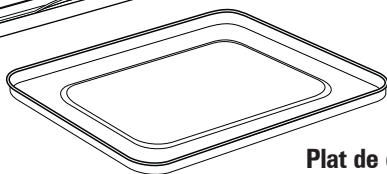
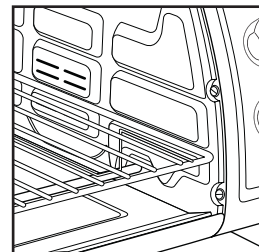
 **ATTENTION : SURFACE CHAUDE** : La température des surfaces extérieures sera plus élevée pendant le fonctionnement de l'appareil.



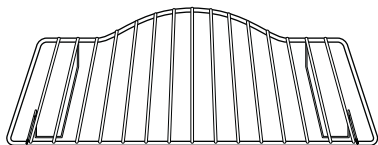
POSITION SUPÉRIEURE DE LA GRILLE : Brunissage et gril



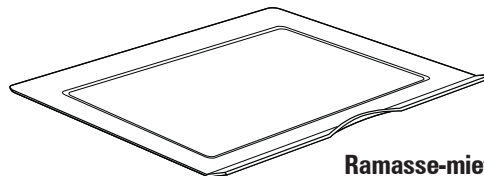
POSITION INFÉRIEURE DE LA GRILLE : Cuisson



Plat de cuisson/gril



Grille du four de brunissage/cuisson/gril



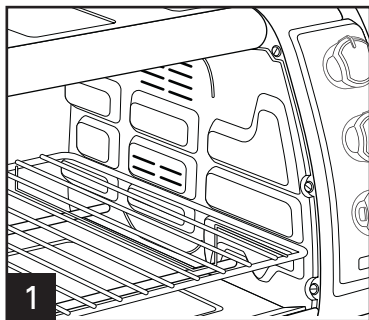
Ramasse-miettes amovible

Le grillage

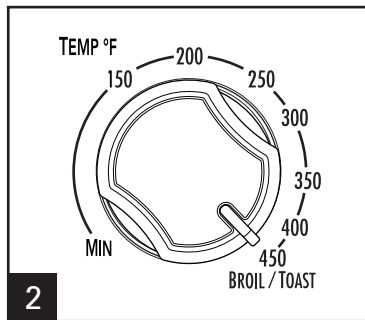
⚠ AVERTISSEMENT Risque d'incendie.

- Si les aliments s'enflamment, ne pas ouvrir la porte du four. Débrancher le four et laisser les aliments s'éteindre et refroidir avant d'ouvrir la porte.

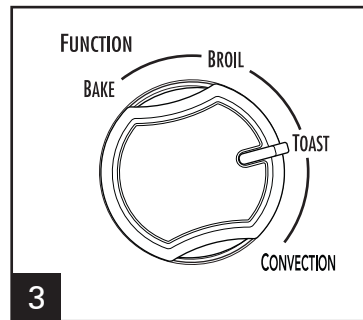
- Ne pas fonctionner avec la porte ouverte ou enlevée.
- Ne pas laisser l'appareil sans surveillance pendant le fonctionnement.
- Toujours débrancher le four grille-pain dès la fin de l'utilisation.



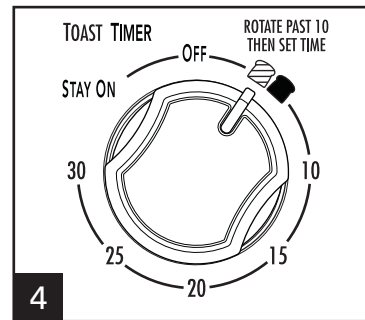
Brancher le four grille-pain. Placer la grille en **POSITION SUPÉRIEURE DE LA GRILLE** (illustrée) pour les rôties, muffins anglais, bagels, et gaufres.



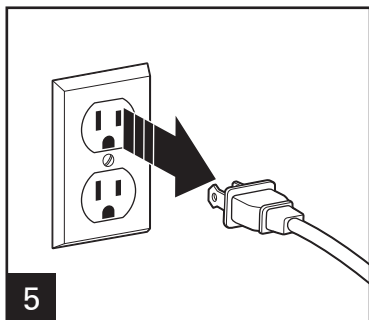
Tourner le sélecteur de température à la température maximale. Placer les aliments dans le four.



Tourner la commande par cadran à « **TOAST** » (brunir).



Tourner le bouton de minuterie au-delà de 10 puis revenir en arrière au degré de brunissage désiré. La sonnerie se fera entendre à la fin du programme.



- **Pour le brunissage de deux tranches seulement**, placez le pain au centre de la zone grille-pain avec la grille en position haute pour obtenir un degré de brunissage uniforme aux deux côtés.
- **Pour brunir les bagels, muffins anglais et les gaufres**, placer la grille en **POSITION SUPÉRIEURE DE LA GRILLE** et placer le côté de l'aliment coupé/séparé vers le bas. Ceci permettra d'obtenir un brunissage plus foncé sur le côté coupé/ séparé de l'aliment. Tourner le bouton de minuterie à la position désirée.
- **Pour brunir les grillardises ou les pâtisseries congelées**, placer la grille en **POSITION SUPÉRIEURE DE LA GRILLE**. Choisir une nuance plus pâle et griller directement sur la grille du four. Pour une pâtisserie avec glaçage, utiliser le plat à cuisson.

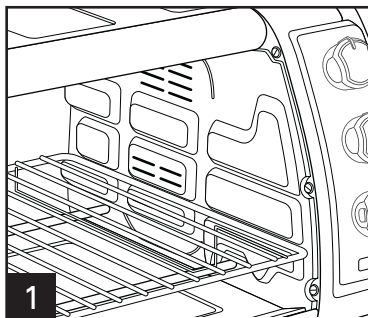
- Pendant le brunissage, de la **condensation** peut se former sur la porte du four. Cette humidité s'échappera lentement par la porte fermée du four.
- **La quantité et la fraîcheur** des tranches de pain affecteront le degré de brunissage. Par exemple, le brunissage de 4 tranches de pain nécessitera un réglage du niveau de brunissage plus élevé que pour deux tranches seulement. Régler le bouton de minuterie à la nuance désirée et à la quantité de tranches.
- Si vous n'êtes pas satisfaits de l'équilibre des nuances des deux côtés des aliments à la position de grille recommandée, choisissez une position de grille différente.

Pour la cuisson

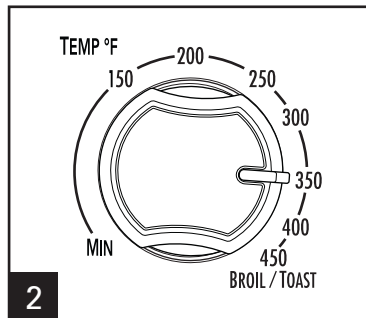
⚠ **AVERTISSEMENT** Risque d'incendie.

- Si les aliments s'enflamment, ne pas ouvrir la porte du four. Débrancher le four et laisser les aliments s'éteindre et refroidir avant d'ouvrir la porte.
- Ne pas fonctionner avec la porte ouverte ou enlevée.

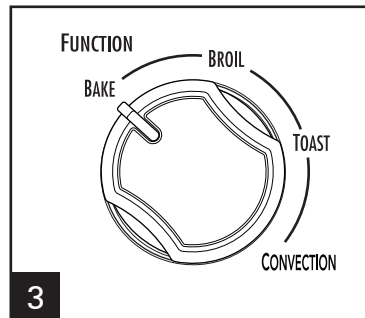
- Ne pas utiliser de sac de cuisson au four.
- Toujours laisser 1 pouce (2,5 cm) libre entre les aliments et l'élément de chauffage.
- Toujours débrancher le four grille-pain dès la fin de l'utilisation.



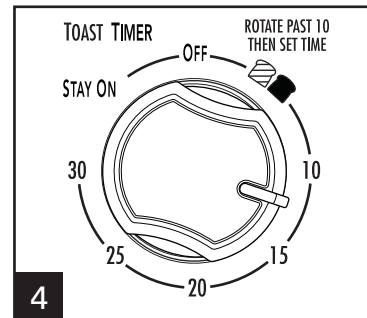
1 Brancher le four grille-pain. Placer la grille du four à la **POSITION SUPÉRIEURE DE LA GRILLE** (illustré).



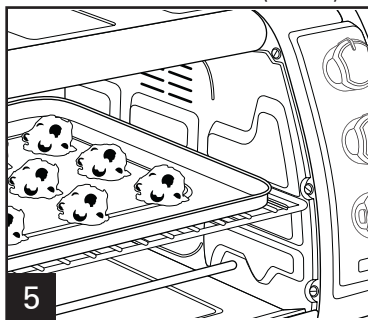
2 Tourner le sélecteur de température à la température désirée.



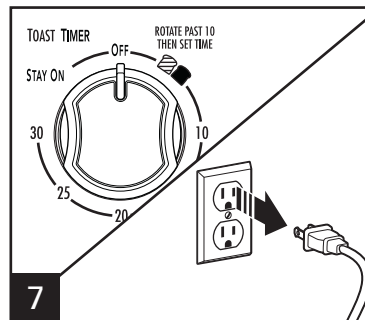
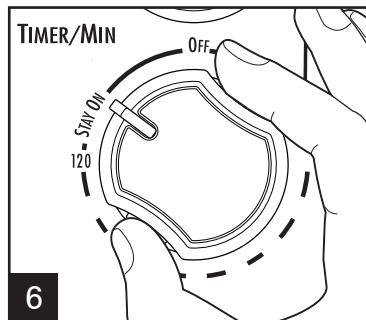
3 Tourner la commande par cadran à **BAKE** (cuisson).



4 Tourner le bouton de minuterie au-delà de 10 puis revenir en arrière à pour préchauffer le four pendant 5 minutes avant de commencer la cuisson.



5 Placer le plat de cuisson sur la grille du four. Régler la durée désirée en tournant le bouton de minuterie au-delà de 10 puis revenir en arrière jusqu'à la durée de grillage désirée ou tourner le bouton de minuterie sur « **STAY ON** » (continue) en appuyant et en maintenant les boutons situés sur le côté du cadran. Lorsque terminé, tourner le sélecteur de minuterie à **OFF** (arrêt/O) et débrancher le four.



Pour la cuisson (suite)

- Ne pas emballer hermétiquement les aliments dans le papier aluminium. L'aluminium isole les aliments et ralentit leur chauffage.
- Pour réchauffer des brioches ou biscuits, placer les aliments sur le plat de cuisson et chauffer à 300 °F (149 °C) pendant 10 minutes.
- Réchauffer les restes de viandes et plats mijotés à 350 °F (177 °C) pendant 20 à 30 minutes ou jusqu'à ce que les aliments soient entièrement réchauffés.
- Cuire les aliments comme les pizzas en plaçant en **POSITION INFÉRIEURE DE LA GRILLE**. Placer les aliments directement sur la grille du four ou dans le plat de cuisson.
- Cuire les aliments comme le poulet entier en plaçant en **POSITION INFÉRIEURE DE LA GRILLE**. Placer les aliments dans le plat de cuisson.
- Fours à mode de cuisson par convection : Lors de la cuisson de pizza, utiliser le réglage de cuisson par convection et réduire la durée de cuisson de 25%.
- Tourner les aliments à la mi-cuisson.

Visitez les sites internet gouvernementaux pour plus d'information à propos des températures de cuisson.

SI VOUS HABITEZ DANS UNE RÉGION À HAUTE ALTITUDE :

Les services de vulgarisation offrent les informations au sujet de la cuisson pour votre région. Pour trouver la coopérative de services de vulgarisation, veuillez visiter le site <http://www.csrees.usda.gov/Extension/>.

Cuisson par convection

(sur les modèles sélectionnés)

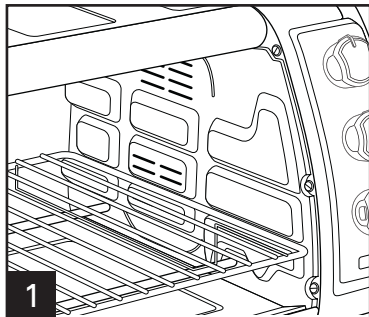
Cuisson par convection

(sur les modèles sélectionnés)

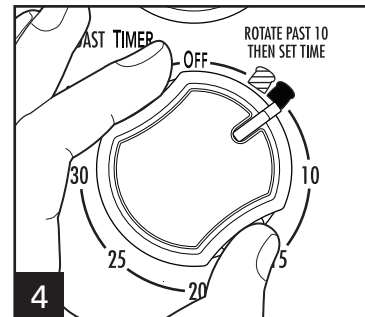
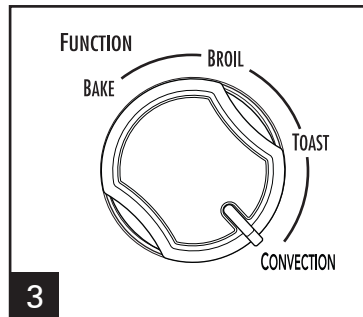
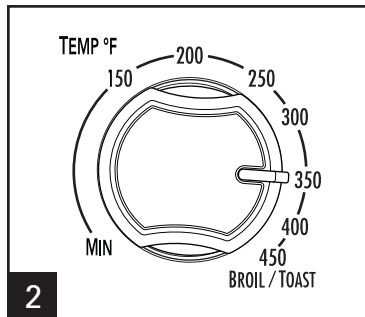
⚠ **AVERTISSEMENT** Risque d'incendie.

- Si les aliments s'enflamment, ne pas ouvrir la porte du four. Débrancher le four et laisser les aliments s'éteindre et refroidir avant d'ouvrir la porte.

- Ne pas utiliser de sac de cuisson au four.
- Toujours laisser 1 pouce (2,5 cm) libre entre les aliments et l'élément de chauffage.
- Toujours débrancher le four grille-pain dès la fin de l'utilisation.



Brancher le four grille-pain. Placer la grille du four à la **POSITION INFÉRIEURE DE LA GRILLE**. Tourner le sélecteur de température à la température désirée.



Tourner la commande par cadran à **CONVECTION** (convection). Tourner le bouton de minuterie au-delà de 10 puis revenir en arrière à pour préchauffer le four pendant 5 minutes avant de commencer la cuisson. Après le préchauffage du four, régler la durée désirée en tournant le bouton « **TIMER** » (minuterie) au-delà de 10 puis revenir en arrière jusqu'à la durée de grillage désirée ou tourner le bouton de minuterie sur « **STAY ON** » (continue) en appuyant et en maintenant les boutons situés sur le côté du cadran.

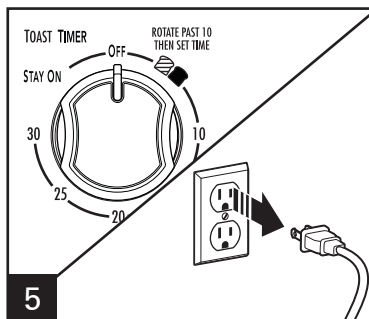
CONSEILS DE CUISSON AU FOUR À CONVECTION

REMARQUE : La cuisson par convection force plus d'air à circuler dans le four, donc les aliments cuisent plus vite que sur le réglage de cuisson conventionnelle.

- Faire cuire à la même température de four mais pendant une plus courte durée.

OU :

- Faire cuire pendant la même durée que sur le réglage de cuisson conventionnelle, mais réduire la température d'environ 25 degrés (14 °C).
- Lors de la cuisson de pizza, utiliser le réglage de cuisson par convection et réduire la durée de cuisson de 25%.



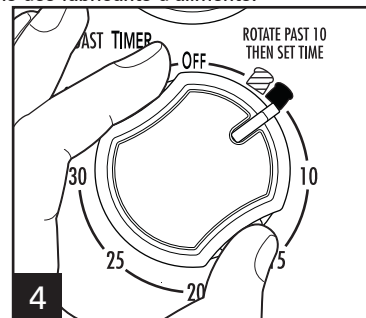
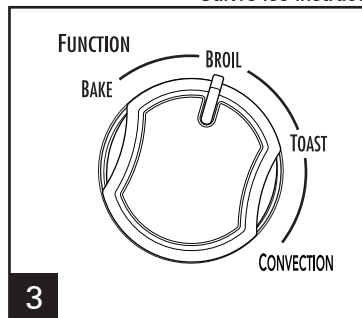
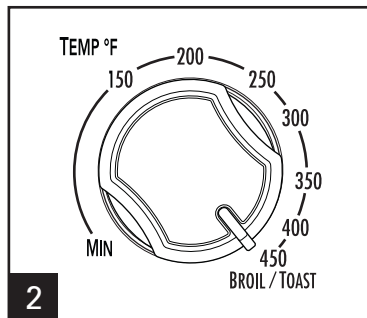
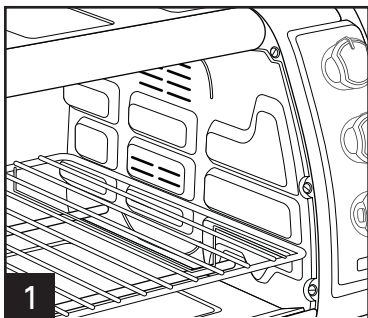
Lorsque terminé, tourner le sélecteur de minuterie à **OFF** (arrêt/O) et débrancher le four.

Cuisson au grill

⚠ **AVERTISSEMENT** Risque d'incendie.

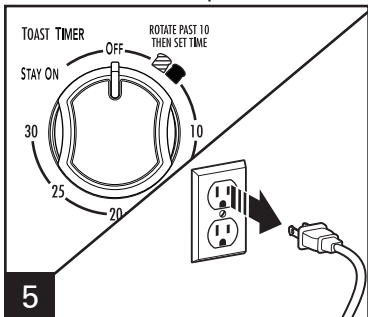
- Si les aliments s'enflamment, ne pas ouvrir la porte du four. Débrancher le four et laisser les aliments s'éteindre et refroidir avant d'ouvrir la porte.
- Ne pas laisser l'appareil sans surveillance pendant le fonctionnement.

- Ne pas fonctionner avec la porte ouverte ou enlevée.
- Laisser 1 pouce (2,5 cm) libre entre les aliments et l'élément de chauffage.
- Ne pas utiliser de sac de cuisson au four.
- Ne pas réchauffer les aliments dans des contenants en matière plastique.
- Suivre les instructions des fabricants d'aliments.



Brancher le four grille-pain. Placer la grille du four à la **POSITION SUPÉRIEURE DE LA GRILLE**. Insérer la grille du four dans les fentes situées sous la grille du four et déposer les aliments sur la grille. **NE PAS PRECHAUFFER**. Tourner le sélecteur de température au à « **BROIL/TOAST** » (gril/brunissage).

Tourner la commande par cadran à « **BROIL** » (gril). Tourner le bouton de minuterie au-delà de 10 puis revenir en arrière à le temps de cuisson désirée ou tourner le bouton de minuterie sur « **STAY ON** » (continue) en appuyant et en maintenant les boutons situés sur le côté du cadran. Retourner les aliments lorsqu'ils sont brunis ou à la mi-cuisson.



- Cuire le bœuf jusqu'à ce que la température atteigne au moins 63 °C (145 °F).
- Cuire le bœuf haché et le porc jusqu'à ce que la température atteigne au moins 71 °C (160 °F).
- Cuire le poulet jusqu'à une température minimale de 73 °C (165 °F).
- Cuire le poisson jusqu'à une température minimale 63 °C (145 °F) ou jusqu'à ce que le poisson soit opaque ou se détache à la fourchette.

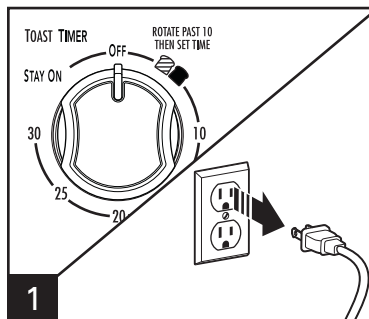
Visitez les sites internet gouvernementaux pour plus d'information à propos des températures de cuisson.

Lorsque terminé, tourner le sélecteur de minuterie à **OFF** (arrêt/O) et débrancher le four.

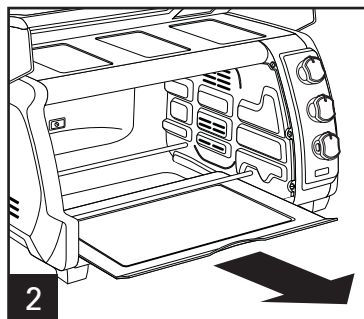
Entretien et nettoyage

⚠ AVERTISSEMENT Risque d'électrocution.

Ne pas utiliser de tampon à récurer métallique pour le nettoyage. Des débris métalliques peuvent se détacher et tomber sur des composants électriques.



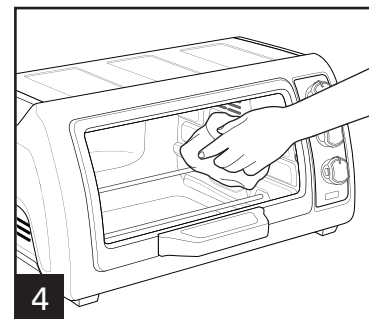
Lorsque terminé, tourner le sélecteur de minuterie à **OFF** (arrêt/O) et débrancher le four.



Pour le nettoyage intérieur du four, essuyer toutes les parois internes et la porte de verre avec un linge imbibé d'eau savonneuse. Répéter avant un linge propre et humide. Pour les taches tenaces, utiliser un tampon à récurer en plastique.



Laver à la main dans de l'eau chaude savonneuse, rincer et sécher.



Essuyer les parois extérieures du four avec un linge humide. Ne pas utiliser de nettoyants abrasifs ou de tampons à récurer.

Dépannage

PROBLÈME	CAUSE POSSIBLE/SOLUTION
Le four ne chauffe pas.	<ul style="list-style-type: none">Assurer le fonctionnement de la prise murale et le branchement du four. Tourner le sélecteur de température à 350 °F (177 °C) et tourner la minuterie à « STAY ON » (continue) en appuyant et en maintenant les boutons situés sur le côté du cadran.
Formation de condensation sur l'intérieur de la porte du four pendant le brunissage.	<ul style="list-style-type: none">Ceci est normal pendant le brunissage dans un four grille-pain. L'humidité s'échappe plus lentement d'un four grille-pain qu'un grille-pain. La quantité d'humidité dégagée variera selon la fraîcheur du pain, des bagels et des pâtisseries congelées.
Odeur et fumée émanant du four.	<ul style="list-style-type: none">La fumée et l'odeur qui se dégagent sont normales au cours de la première utilisation de la plupart des appareils chauffants. Ceci ne devrait pas se répéter au cours des utilisations ultérieures.
Aucun brunissage.	<ul style="list-style-type: none">Assurer le fonctionnement de la prise murale et le branchement du four. Tourner le sélecteur de température à « ☒ » (brunir) et tourner le bouton de minuterie au-delà de 10 puis revenir en arrière à la nuance de brunissage désirée.
Quelques aliments brûlent alors que d'autres ne sont pas cuits.	<ul style="list-style-type: none">Régler la température du four ou le temps de cuisson pour obtenir des résultats optimaux selon les recettes utilisées.
De la vapeur concentrée s'échappe par les coins supérieurs de la porte du four.	<ul style="list-style-type: none">L'humidité s'échappant du four sera concentrée en jets et sera évacuée par les coins supérieurs de la porte. Cette vapeur ressemble à de la fumée. Ceci est normal pour ce produit.

Rendez-vous sur www.hamiltonbeach.ca pour notre liste complète de produits et de nos manuels utilisateur – ainsi que nos délicieuses recettes et nos conseils !

Garantie limitée

Cette garantie s'applique aux produits achetés et utilisés aux É.-U. et au Canada. C'est la seule garantie expresse pour ce produit et est en lieu et place de tout autre garantie ou condition.

Ce produit est garanti contre tout défaut de matériaux et de main-d'oeuvre pour une période des cinq (5) ans à compter de la date d'achat d'origine au Canada et un (1) an à compter de la date d'achat d'origine aux É.-U. Au cours de cette période, votre seul recours est la réparation ou le remplacement de ce produit ou tout composant s'avérant défectueux, à notre gré, mais vous êtes responsable de tous les coûts liés à l'expédition du produit et le retour d'un produit ou d'un composant dans le cadre de cette garantie. Si le produit ou un composant n'est plus offert, nous le remplacerons par un produit similaire de valeur égale ou supérieure.

Cette garantie ne couvre pas le verre, les filtres, l'usure d'un usage normal, l'utilisation non conforme aux directives imprimées, ou des dommages au produit résultant d'un accident, modification, utilisation abusive ou incorrecte. Cette garantie s'applique seulement à l'acheteur original ou à la personne l'ayant reçu en cadeau. La présentation du reçu de vente d'origine comme preuve d'achat est nécessaire pour faire une réclamation au titre de cette garantie. Cette garantie s'annule si le produit est utilisé autrement que par une famille ou si l'appareil est soumis à toute tension ou forme d'onde différente des caractéristiques nominales précisées sur l'étiquette (par ex. : 120 V ~ 60 Hz).

Nous excluons toutes les réclamations au titre de cette garantie pour les dommages spéciaux, consécutifs et indirects causés par la violation de garantie expresse ou implicite. Toute responsabilité est limitée au prix d'achat. **Chaque garantie implicite, y compris toute garantie ou condition de qualité marchande ou d'adéquation à un usage particulier, est exonérée, sauf dans la mesure interdite par la loi, auquel cas la garantie ou condition est limitée à la durée de cette garantie écrite.** Cette garantie vous donne des droits légaux précis. Vous pouvez avoir d'autres droits qui varient selon l'endroit où vous habitez. Certaines provinces ne permettent pas les limitations sur les garanties implicites ou les dommages spéciaux ou indirects de telle sorte que les limitations ci-dessus ne s'appliquent peut-être pas à votre cas.

Ne pas retourner cet appareil au magasin lors d'une réclamation au titre de cette garantie. Téléphoner au 1.800.851.8900 aux É.-U. ou au 1.800.267.2826 au Canada ou visiter le site internet www.hamiltonbeach.com aux É.-U. ou www.hamiltonbeach.ca au Canada. Pour un service plus rapide, trouvez le numéro de modèle, le type d'appareil et les numéros de série sur votre appareil.

⚠️ ADVERTENCIA



Peligro de Incendio.

- Si los contenidos se prenden fuego, no abra la puerta del horno. Desenchufe el horno y espere que los contenidos dejen de quemarse y que se enfríen antes de abrir la puerta.
- No haga funcionar sin atención mientras se encuentre en el modo Toast (tostar) o el modo Broil (asar).
- No utilice con bolsas de cocción para horno.
- No caliente tacos duros en el horno tostador. Siempre use el horno convencional.
- Siempre deje por lo menos una pulgada entre los alimentos y el elemento calentador.
- Siempre desenchufe la tostadora cuando no la esté usando.
- Una limpieza regular reduce el riesgo de peligro de incendio.

SALVAGUARDIAS IMPORTANTES

Cuando utilice artefactos eléctricos, siempre deben seguirse precauciones de seguridad básicas a fin de reducir el riesgo de incendio, descarga eléctrica, y/o lesiones a personas, incluyendo las siguientes:

1. Lea todas las instrucciones.
2. Este aparato no se destina para utilizarse por personas (incluyendo niños) cuyas capacidades físicas, sensoriales o mentales sean diferentes o estén reducidas, o carezcan de experiencia o conocimiento, a menos que dichas personas reciban una supervisión o capacitación para el funcionamiento del aparato por una persona responsable de su seguridad.
3. Se requiere de una estrecha supervisión cuando el aparato se use cerca de niños. Los niños deben supervisarse para asegurar que ellos no empleen los aparatos como juguete.
4. Verifique que el voltaje de su instalación corresponda con el del producto.
5. No toque superficies calientes. Use manijas o perillas.
6. Para protegerse contra el riesgo de choque eléctrico, no sumerja el cable, el enchufe o el horno eléctrico en agua ni en ningún otro líquido.
7. Desenchúfelo del tomacorriente cuando no lo esté usando y antes de la limpieza. Deje que el aparato se enfríe antes de limpiarlo o de colocar o sacar alguna pieza.
8. No opere ningún aparato con cables o enchufe dañados o después de que el aparato funcione mal o se caiga o dañe de cualquier manera. El reemplazo del cable de suministro y las reparaciones deben ser efectuadas por el fabricante, su agente de servicio, o personas igualmente calificadas para poder evitar un peligro. Llame al número de servicio al cliente proporcionado para información sobre examinación, reparación o ajuste.
9. El uso de accesorios no recomendados por fabricante de electrodomésticos puede causar lesiones.
10. No lo use al aire libre.
11. No deje que el cable cuelgue sobre el borde de una mesa o de un mostrador, o que toque alguna superficie caliente.
12. No coloque el aparato sobre o cerca de un quemador a gas o eléctrico caliente, ni dentro de un horno caliente.
13. Es importante tener extremo cuidado cuando se mueva un aparato eléctrico que contenga aceite caliente u otros líquidos calientes.
14. Para desconectar, coloque todos los controles en la posición de OFF (O/apagado) y luego saque el enchufe del tomacorriente.

15. Tenga mucho cuidado cuando saque la charola o elimine la grasa caliente.
16. No limpie con esponjillas metálicas. La esponjilla se puede desintegrar y los trozos pueden tocar las partes eléctricas, creando un riesgo de choque eléctrico.
17. No introduzca alimentos de tamaño demasiado grande ni utensilios metálicos en el horno eléctrico ya que pueden crear un incendio o riesgo de choque eléctrico.
18. Puede ocurrir un incendio si el horno eléctrico se cubre, toca o se encuentra cerca de materiales inflamables, incluyendo cortinas, colgaduras, paredes y superficies similares cuando esté funcionando. No guarde ningún artículo sobre el aparato cuando esté funcionando, o antes de que se enfríe.
19. Se debe tener mucho cuidado cuando se usan envases que no sean de metal o de vidrio.
20. No guarde ningún material adentro del horno cuando no se use, exceptuando los accesorios recomendados por el fabricante.
21. No coloque ninguno de los siguientes materiales en el horno: papel, cartón, plástico y similares.
22. No cubra la charola para migajas ni ninguna otra parte del horno con papel metálico. Eso hará que el horno se recaliente.
23. Para apagar el horno, coloque el programador de tiempo en la posición de OFF (O/apagado). Consulte la sección "Partes y Características".
24. No ponga los ojos o la cara cerca de la puerta de seguridad de vidrio templado, en caso de que el vidrio de seguridad se rompa.
25. Siempre use el aparato con la charola para migajas firmemente en su lugar.
26. No use el aparato eléctrico para ningún otro fin que no sea el indicado.
27. Limpie con cuidado el interior del horno. No raye ni dañe el tubo del elemento de calentamiento.
28. No haga funcionar el artefacto mediante un temporizador externo o un sistema de control remoto separado.

¡GUARDE ESTAS INSTRUCCIONES!

Otra Información de Seguridad para el Cliente

Este aparato ha sido diseñado solamente para uso doméstico.

⚠ ADVERTENCIA Peligro de Descarga Eléctrica: Este aparato es provisto con un enchufe polarizado (una pata más ancha) para reducir el riesgo de una descarga eléctrica. El enchufe embona únicamente en una dirección dentro de un tomacorriente polarizado. No trate de obviar el propósito de seguridad del enchufe modificándolo de alguna manera o utilizando un adaptador. Si el enchufe no entra completamente en la toma, invierta el enchufe. Si aún no entra, haga que un electricista reemplace la toma.

El largo del cable que se usa en este aparato fue seleccionado para reducir el peligro de que alguien se enganche o tropiece con un cable más largo. Si es necesario usar un cable más largo, se podrá usar un cable de extensión aprobado. La clasificación eléctrica nominal del cable de extensión debe ser igual o mayor que la

clasificación nominal del aparato. Es importante tener cuidado de colocar el cable de extensión para que no se pliegue sobre el mostrador o la mesera en donde niños puedan tirar del mismo o tropezarse accidentalmente.

Para evitar una sobrecarga eléctrica del circuito, no use otro aparato de alto voltaje en el mismo circuito con este aparato.

ANTES DEL PRIMER USO

La mayoría de los aparatos de calentamiento producen un olor y/o humo cuando se usan por primera vez. Enchufe el horno eléctrico en el tomacorriente. Coloque el selector de temperatura a 450°F (230°C). Caliente a esta temperatura por 10 minutos. El olor deberá desaparecer después del precalentamiento inicial. **Lave el sartén de cocción y la rejilla del horno antes de usarlos.**

Partes y Características

Para ordenar partes:

EE. UU.: 1.800.851.8900

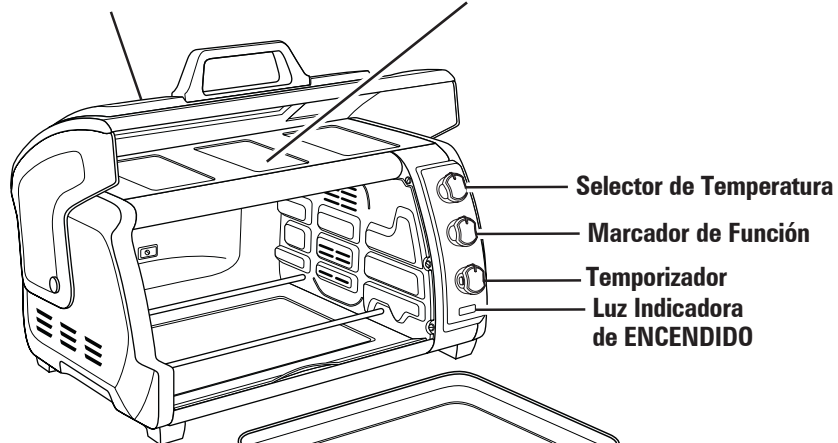
www.hamiltonbeach.com

México: 01 800 71 16 100

 **PRECAUCIÓN: SUPERFICIE CALIENTE.**

La temperatura de las superficies accesibles puede ser alta cuando el artefacto se encuentra en funcionamiento.

Puerta del Horno



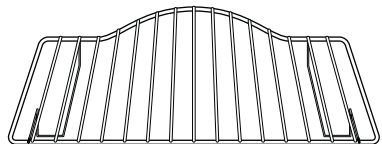
Selector de Temperatura

Marcador de Función

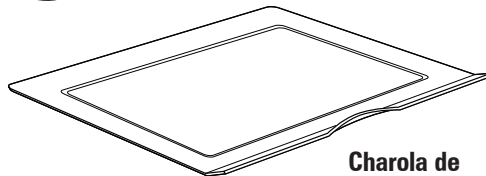
Temporizador

Luz Indicadora de ENCENDIDO

Bandeja para Hornear/Asar

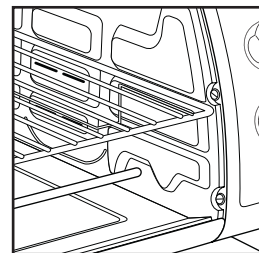


Rejilla del Horno para Tostar/Hornear/Asar

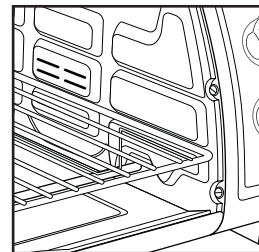


Charola de Migajas Deslizante

POSICIÓN ALTA DE LA REJILLA: Tostar y Asar



POSICIÓN BAJA DE LA REJILLA: Hornear

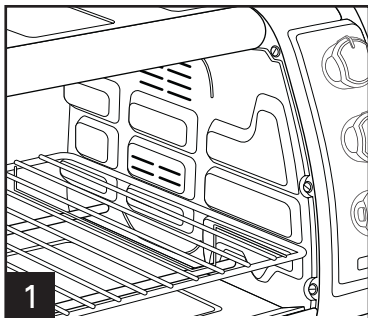


Como Tostar

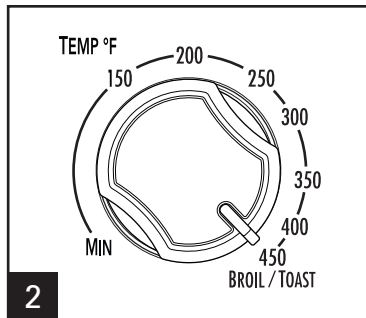
⚠ **ADVERTENCIA** Riesgo de Fuego.

- Si el contenido prende fuego, no abra la puerta del horno. Desconecte el horno y deje que el contenido deje de quemarse y se enfríe antes de abrir la puerta.

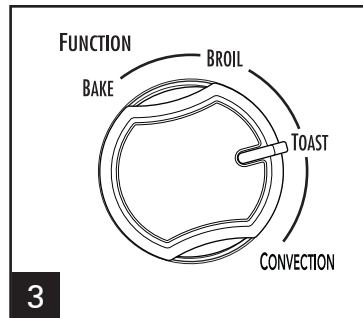
- No opere con la puerta abierta o removida.
- No deje el aparato desatendido cuando esté funcionando.
- Siempre desconecte el horno tostador cuando no esté en uso.



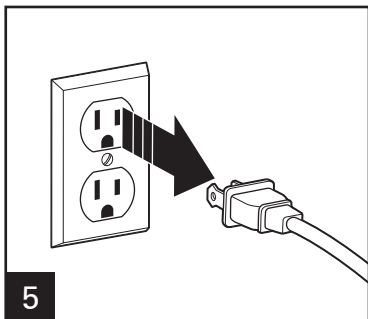
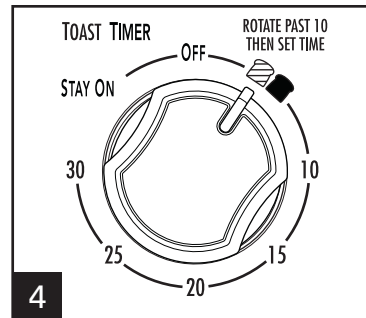
Enchufe el horno tostador. Coloque la rejilla en la **POSICIÓN BAJA DE LA REJILLA** (como se muestra) para tostar panecillos ingleses, bagels, y waffles.



Gire el Selector de Temperatura a la temperatura máxima. Coloque el alimento en el horno.



Gire el Selector de Función a **TOAST** (tostar). Gire el Temporizador pasado 10 y luego de vuelta al color de tostado deseado. Sonará una campana cuando el ciclo de tostado esté completo.

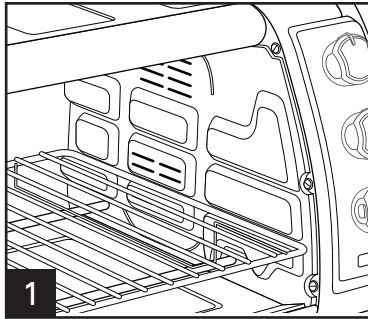


- **Cuando tueste sólo dos piezas de pan**, coloque el pan hacia en el centro de la rejilla para conseguir un tostado parejo en la parte inferior y superior.
- **Para tostar bagels, panecillos ingleses, y waffles**, coloque la rejilla en la **POSICIÓN BAJA DE LA REJILLA** y coloque la parte cortada/rebanada hacia arriba. Esto tostará el lado cortado/rebanado más que la parte exterior del alimento. Ajuste la Temporizador al ajuste deseado.
- **Para tostar repostería de tostador regular o rostería congelada**, coloque en la rejilla del horno en la **POSICIÓN BAJA DE LA REJILLA**. Seleccione un color menos intenso y tueste directamente en la rejilla del horno. Si la repostería tiene glaseado, use el sartén de cocción.
- Cuando tueste se puede formar **condensación** en la puerta del horno. La humedad se escapará lentamente del horno cerrado.
- El **número de rebanadas** de pan y la **frescura del pan** afectará el color del tostado del pan. Por ejemplo, tostar 4 rebanadas de pan requerirá un ajuste de color de tostado más oscuro que 2 rebanadas de pan. Ajuste la Temporizador basado en el color deseado y número de rebanadas.
- Si no está satisfecho con el balance de color entre los dos lados de su alimento en la posición de la rejilla recomendada, seleccione una posición de la rejilla diferente.

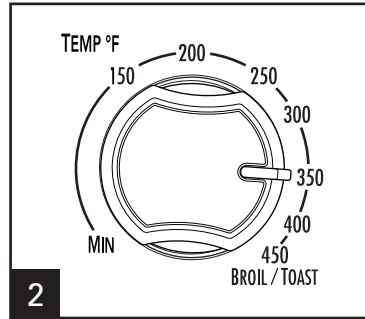
Como Cocinar

⚠ **ADVERTENCIA** Riesgo de Fuego.

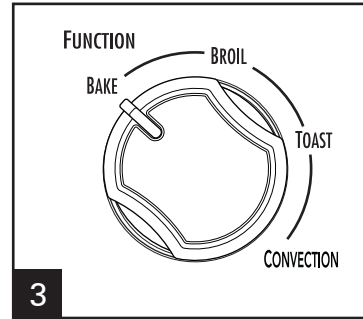
- Si el contenido prende fuego, no abra la puerta del horno. Desconecte el horno y deje que el contenido deje de quemarse y se enfríe antes de abrir la puerta.
- No use bolsas para cocinar en el horno.
- No opere con la puerta abierta o removida.
- Siempre deje por los menos 1 pulgada (2.5 cm) entre la comida y el elemento de calor.
- Siempre desconecte el horno tostador cuando no esté en uso.



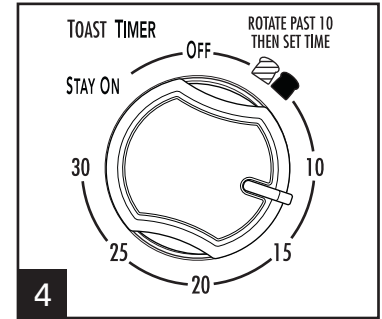
1 Enchufe el horno tostador. Coloque la rejilla del horno en la **POSICIÓN BAJA DE LA REJILLA** (indicado).



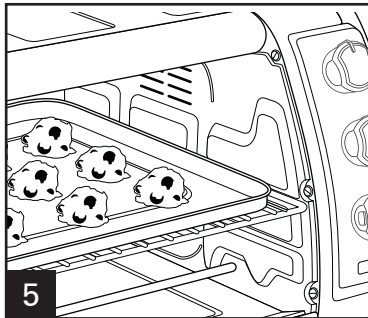
2 Gire el Selector de Temperatura a la temperatura deseada.



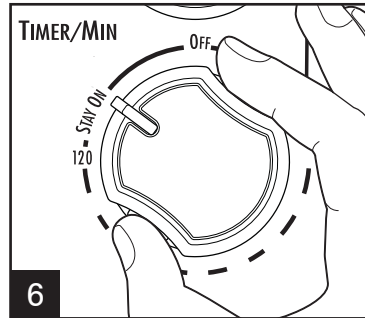
3 Gire el Selector de Función a **BAKE** (cocinar).



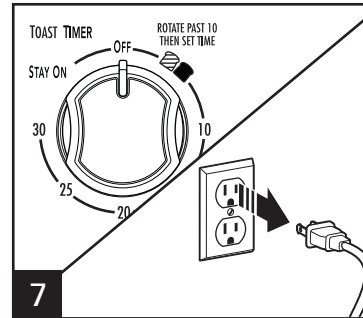
4 Gire el Temporizador pasado 10 y deje precalentar por 5 minutos antes de colocar los alimentos en el horno.



5 Coloque la bandeja para hornear sobre la rejilla del horno. Ajuste el Temporizador deseado al rotar el Temporizador a más de 10 luego al tiempo de cocinado deseado o gire el Temporizador a **STAY ON** (dejar encendido) mientras presiona y sostiene los botones del lado del marcador.



6



7 Cuando haya finalizado, gire el Temporizador a **OFF** (apagado/O) y desenchufe.

Como Cocinar (cont.)

- No encierre completamente el alimento en papel aluminio. El papel puede aislar el alimento y retardar el calentamiento.
- Para recalentar rollos o bisquets, coloque en el sartén de cocción y caliente a 300°F (149°C) por 10 minutos.
- Recaliente los rostizados o cacerolas a 350°F (177°C) o por 20 a 30 minutos o hasta que esté bien calentado.
- Cocine alimentos tales como pizza en el **POSICIÓN BAJA DE LA REJILLA**. Coloque el alimento directo en la rejilla del horno o en el sartén de cocción.
- Cocine alimentos tales como pollo entero en el **POSICIÓN BAJA DE LA REJILLA**. Coloque el alimento en el sartén de cocción.
- Hornos con modo por convección: Cuando hornee pizzas, utilice la configuración por convección y reduzca el tiempo de cocción en 25%.
- Gire el alimento media vuelta a lo largo del tiempo de cocción.

Visite **foodsafety.gov** para más información sobre temperaturas de cocción seguras.

SI USTED VIVE EN UNA ÁREA DE ALTITUD ELEVADA:

El servicio de extensión tendrá información detallada sobre cocción en su área. Para ubicar el servicio de extensión cooperativa en su condado, tenga a bien visitar la siguiente página:
<http://www.csrees.usda.gov/Extension/>.

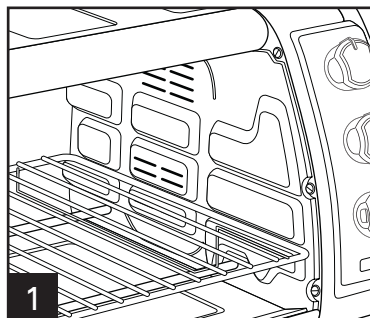
Horneado por Convección

(en modelos seleccionados)

⚠ ADVERTENCIA Riesgo de Fuego.

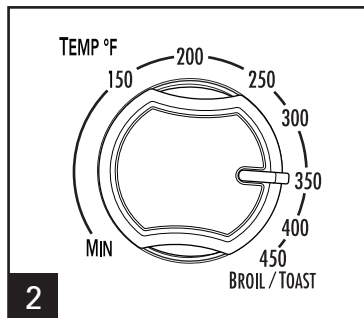
- Si el contenido prende fuego no abra la puerta del horno. Desconecte el horno y deje que el contenido deje de quemarse y se enfríe antes de abrir la puerta.

- No use bolsas para cocinar en horno.
- Siempre deje por los menos 1 pulg. (2.5 cm) entre la comida y el elemento de calor.
- Siempre desconecte el horno cuando no esté en uso.

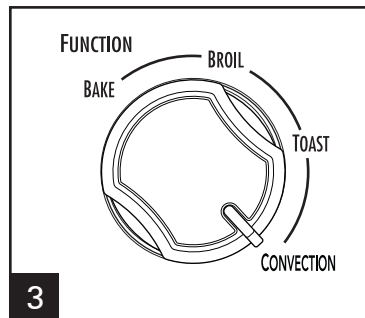


1

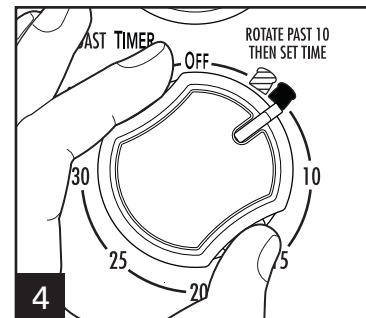
Enchufe el horno tostador. Coloque la rejilla del horno en la **POSICIÓN BAJA DE LA REJILLA**. Gire la perilla de temperatura hasta alcanzar la temperatura deseada.



2

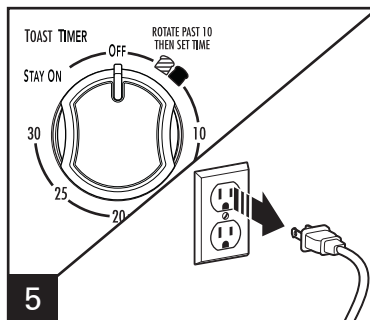


3



4

Configure la **FUNCIÓN** en **CONVECTION** (convección). Gire el Temporizador pasado 10 y deje precalentar por 5 minutos antes de colocar los alimentos en el horno. Después de precalentar el horno, ajuste el Temporizador deseado al rotar el Temporizador a más de 10 luego al tiempo de cocinado deseado o gire el Temporizador a **STAY ON** (dejar encendido) mientras presiona y sostiene los botones del lado del marcador.



5

Cuando haya finalizado, gire el Temporizador a **OFF** (apagado/O) y desenchufe.

CONSEJOS PARA UTILIZAR EL HORNEADO POR CONVECCIÓN

NOTA: El horneado por convección hace circular el aire dentro del horno, por lo que los alimentos se cocinan más rápido que con la configuración de horneado convencional.

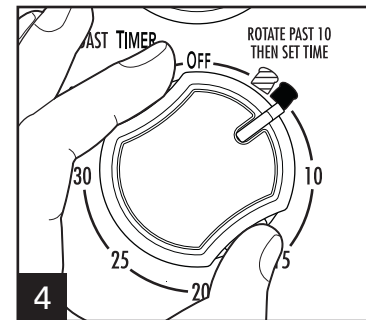
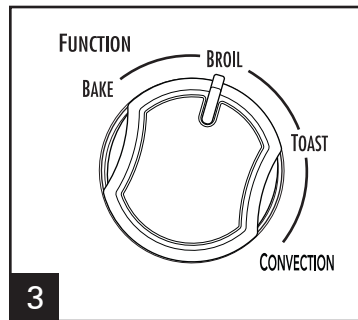
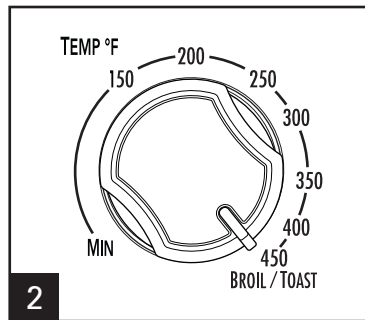
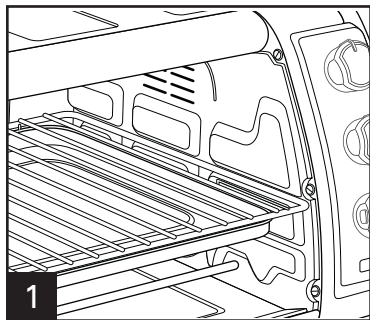
- Hornee con la misma temperatura del horno pero por un período de tiempo más corto.
- Hornee por el mismo período de tiempo que con la configuración de horneado convencional, pero reduzca la temperatura en alrededor de 25 grados (14°C).
- Cuando hornee pizzas, utilice la configuración por convección y reduzca el tiempo de cocción en 25%.

Como Asar

⚠ **ADVERTENCIA** Riesgo de Fuego.

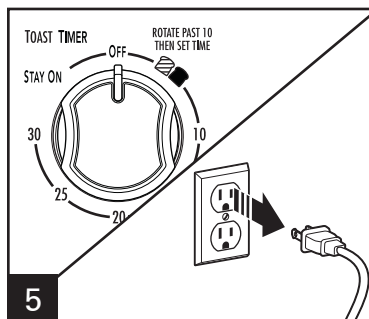
- Si el contenido prende fuego no abra la puerta del horno. Desconecte el horno y deje que el contenido deje de quemarse y se enfríe antes de abrir la puerta.
- No deje el horno desatendido mientras está en operación.

- No opere con la puerta abierta o removida.
- Deje 1 pulgada (2.5 cm) entre el alimento y el elemento de calor.
- No use bolsas para cocinar en horno.
- No caliente la comida en contenedores de plástico.
- Siga las instrucciones del fabricante del alimento.



Enchufe el horno tostador. Deslice la rejilla del horno en la **POSICIÓN ALTA DE LA REJILLA**. Introduzca la bandeja para hornear/asar en las ranuras ubicadas debajo de la rejilla del horno y agregue los alimentos a la rejilla. **NO PRECALIENTE EL HORNO**. Gire el Selector de Temperatura a **BROIL/TOAST**.

Gire el Selector de Función a **BROIL** (asar). Gire el Temporizador a más de 10 luego de vuelta a tiempo de asado deseado o gire el Temporizador a **STAY ON** (dejar encendido) mientras presiona y sostiene los botones del lado del marcador. Gire los alimentos cuando estén oscuros a la mitad del tiempo de cocción.



- Cocine la carne de res a por lo menos 145°F (63°C).
- Cocine la carne picada de res y de cerdo a por lo menos 160°F (71°C).
- Cocine el pollo a al menos 165°F (73°C).
- Cocine el pescado a al menos 145°F (63°C) o hasta que esté opaco o descascara con el tenedor.

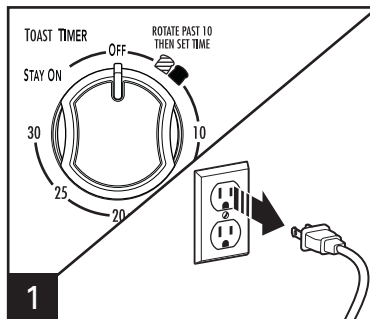
Visite foodsafety.gov para más información sobre temperaturas seguras de cocinado.

Cuando haya finalizado, gire el Temporizador a **OFF** (apagado/O) y desenchufe.

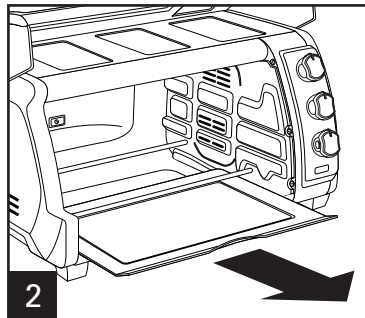
Cuidado y Limpieza

⚠ ADVERTENCIA Peligro de Descarga Eléctrica.

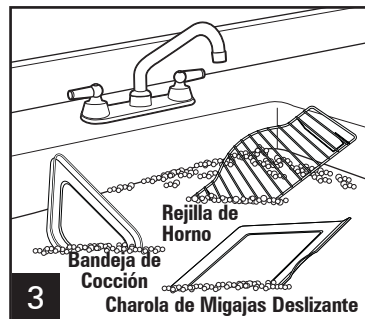
No limpie con estropajos metálicos. Las piezas pueden romper la almohadilla y tocar partes eléctricas.



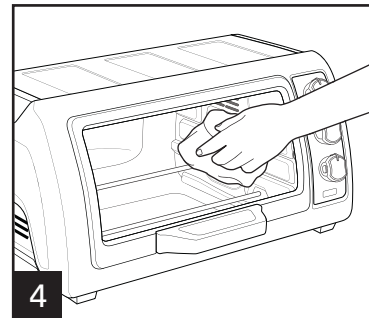
1 Cuando haya finalizado, gire el Temporizador a **OFF** (apagado/O) y desenchufe.



2 Para limpiar el interior del horno, limpie las paredes, parte inferior del horno y puerta de vidrio con un trapo húmedo y jabonoso. Repita con un trapo húmedo y limpio. Para manchas persistentes, use un estropajo de plástico.



3 Lave a mano en agua tibia jabonosa; enjuague y seque.



4 Limpie la parte exterior del horno con un trapo húmedo. No use limpiadores abrasivos o estropajos de metal.

Resolviendo Problemas

PROBLEMA	CAUSA PROBABLE/SOLUCIÓN
El horno no calienta.	<ul style="list-style-type: none">• Revise para asegurarse que la toma eléctrica esté funcionando y el horno esté conectado. Gire el Selector de Temperatura a 350°F (177°C) y gire el Temporizador a STAY ON (dejar encendido) mientras presiona y sostiene los botones del lado del marcador.
Se forma humedad en el interior de la puerta del horno cuando tuesta.	<ul style="list-style-type: none">• Esto es normal cuando se tuesta en un horno tostador. La humedad se escapa más lentamente en un horno tostador que de un tostador. La cantidad de humedad variará entre el pan fresco, bagels y repostería congelada.
Sale un olor o humo del horno.	<ul style="list-style-type: none">• El humo y olor es normal durante el primer uso de la mayoría de los aparatos con calor. Esto no estará presente después del periodo inicial de calentamiento.
El horno no tuesta.	<ul style="list-style-type: none">• Revise para asegurarse que la toma esté funcionando y el horno esté conectado. Gire el Selector de Temperatura para ☞ (tostar) y gire el Temporizador a más de 10 luego de vuelta a color de tostado deseado.
Algunos alimentos se queman y algunas no se cocinan.	<ul style="list-style-type: none">• Ajuste la temperatura del horno o tiempo de cocción para mejores resultados con sus recetas.
Sale vapor concentrado de los extremos superiores de la puerta de horno.	<ul style="list-style-type: none">• La humedad que sale del horno se concentrará en chorros desde los extremos superiores de la puerta. Esto da la apariencia de humo, pero resulta normal para este producto.

¡Visite www.hamiltonbeach.com.mx para ver otros productos de Hamilton Beach o para contactarnos!

PÓLIZA DE GARANTÍA

PRODUCTO:	MARCA:	MODELO:
Grupo HB PS, S.A. de C.V. cuenta con una Red de Centros de Servicio Autorizada, por favor consulte en la lista anexa el nombre y dirección de los establecimientos en la República Mexicana en donde usted podrá hacer efectiva la garantía, obtener partes, componentes, consumibles y accesorios; así como también obtener servicio para productos fuera de garantía. Para mayor información llame sin costo: Centro de Atención al consumidor: 01 800 71 16 100		
Grupo HB PS, S.A. de C.V. le otorga a partir de la fecha de compra: GARANTÍA DE 1 AÑO.		
COBERTURA		
<ul style="list-style-type: none">• Esta garantía ampara, todas las piezas y componentes del producto que resulten con defecto de fabricación incluyendo la mano de obra.• Grupo HB PS, S.A. de C.V. se obliga a reemplazar, reparar o reponer, cualquier pieza o componente defectuoso; proporcionar la mano de obra necesaria para su diagnóstico y reparación, todo lo anterior sin costo adicional para el consumidor.• Esta garantía incluye los gastos de transportación del producto que deriven de su cumplimiento dentro de su red de servicio.		
LIMITACIONES		
<ul style="list-style-type: none">• Esta garantía no ampara el reemplazo de piezas deterioradas por uso o por desgaste normal, como son: cuchillas, vasos, jarras, filtros, etc.• Grupo HB PS, S.A. de C.V. no se hace responsable por los accidentes producidos a consecuencia de una instalación eléctrica defectuosa, ausencia de toma de tierra, clavija de enchufe en mal estado, etc.		
EXCEPCIONES		
Esta garantía no será efectiva en los siguientes casos: <ul style="list-style-type: none">a) Cuando el producto se hubiese utilizado en condiciones distintas a las normales. (Uso industrial, semi-industrial o comercial.)b) Cuando el producto no hubiese sido operado de acuerdo con el instructivo de uso.c) Cuando el producto hubiese sido alterado o reparado por personas no autorizadas por Grupo HB PS, S.A. de C.V. el fabricante nacional, importador o comercializador responsable respectivo. El consumidor puede solicitar que se haga efectiva la garantía ante la propia casa comercial donde adquirió su producto, siempre y cuando Grupo HB PS, S.A. de C.V. no cuente con talleres de servicio.		

PROCEDIMIENTO PARA HACER EFECTIVA LA GARANTÍA

- Para hacer efectiva la garantía, lleve su aparato al Centro de Servicio Autorizado más cercano a su domicilio (consulte la lista anexa).
- Si no existe Centro de Servicio Autorizado en su localidad llame a nuestro Centro de Atención al Consumidor para recibir instrucciones de como hacer efectiva su garantía.

FECHA DE ENTREGA	SELLO DEL VENDEDOR	QUEJAS Y SUGERENCIAS
DÍA__ MES__ AÑO__		Si desea hacer comentarios o sugerencias con respecto a nuestro servicio o tiene alguna queja derivada de la atención recibida en alguno de nuestros Centros de Servicio Autorizados, por favor dirigirse a: GERENCIA INTERNACIONAL DE SERVICIO 01 800 71 16 100 Email: mexico.service@hamiltonbeach.com.mx

CENTROS DE SERVICIO AUTORIZADOS

Ciudad de México

ELECTRODOMÉSTICOS

Av. Plutarco Elías Calles, No. 1499
Zacahuitzco, Ciudad de México, C.P. 09490
Tel: 01 55 5235 2323
Fax: 01 55 5243 1397

CASA GARCIA

Av. Patriotismo No. 875-B
Mixcoac, Ciudad de México, C.P. 03910
Tel: 01 55 5563 8723
Fax: 01 55 5615 1856

Nuevo León

FERNANDO SEPULVEDA REFACCIONES

Ruperto Martínez No. 238 Ote.
Centro MONTERREY, 64000 N.L.
Tel: 01 81 8343 6700 • Fax: 01 81 8344 0486

Jalisco

SERVICIOS DE MANTENIMIENTO CASTILLO

Garibaldi No. 1450
Ladrón de Guevara
GUADALAJARA 44660 Jal.
Tel: 01 33 3825 3480 • Fax: 01 33 3826 1914

Modelo:
31123, 31126, 31127

Tipo:
O59

Características Eléctricas:
120 V~ 60 Hz 1400 W

Los modelos incluidos en el instructivo de Uso y Cuidado pueden ir seguidos o no por un sufijo correspondiente a una o varias letras del alfabeto y sus combinaciones, separadas o no por un espacio, coma, diagonal, o guión. Como ejemplos los sufijos pueden ser: "Y" y/o "MX" y/o "MXY" y/o "Z".