

**READ BEFORE USE
LIRE AVANT UTILISATION
LEA ANTES DE USAR**

Visit www.hamiltonbeach.com for our complete line of products and Use and Care Guides – as well as delicious recipes, tips, and to register your product online!

Rendez-vous sur www.hamiltonbeach.ca pour notre liste complète de produits et de nos manuels utilisateur – ainsi que nos délicieuses recettes et nos conseils !

iVisite www.hamiltonbeach.com (EE. UU.) o www.hamiltonbeach.com.mx (México) para ver otros productos de Hamilton Beach o para contactarnos!

Questions?

Please call us – our friendly associates are ready to help.
USA: 1.800.851.8900

Questions ?

N'hésitez pas à nous appeler – nos associés s'empresseront de vous aider.

CAN : 1.800.267.2826

¿Preguntas?

Por favor llámenos – nuestros amables representantes están listos para ayudar.

EE. UU.: 1.800.851.8900

MEX: 01 800 71 16 100

Le invitamos a leer cuidadosamente este instructivo antes de usar su aparato.

Hamilton Beach®

Connectables Slow Cooker Mijoteuse raccordable Olla de Cocción Lenta Conectable



English	2
Français.....	20
Español	38

Recipes Included!
Recettes à l'intérieur !
¡Recetas Incluidas!

IMPORTANT SAFEGUARDS

When using electrical appliances, basic safety precautions should always be followed to reduce the risk of fire, electric shock, and/or injury to persons, including the following:

1. Read all instructions.
2. This appliance is not intended for use by persons (including children) with reduced physical, sensory, or mental capabilities, or lack of experience and knowledge, unless they are closely supervised and instructed concerning use of the appliance by a person responsible for their safety.
3. Close supervision is necessary when any appliance is used by or near children. Children should be supervised to ensure that they do not play with the appliance.
4. Do not touch hot surfaces. Use handles or knobs.
5. To protect against electric shock, do not immerse cord, plug, or base in water or other liquid.
6. Unplug from outlet when not in use and before cleaning. Allow to cool before putting on or taking off parts.
7. Do not operate any appliance with a damaged cord or plug, or after the appliance malfunctions or is dropped or damaged in any manner. Call our toll-free customer service number for information on examination, repair, or adjustment.
8. The use of accessory attachments not recommended by the appliance manufacturer may cause injuries.
9. Do not use outdoors.
10. Do not let cord hang over edge of table or counter, or touch hot surfaces, including stove.
11. Do not place on or near a hot gas or electric burner, or in a heated oven.
12. Extreme caution must be used when moving an appliance containing hot oil or other hot liquids.
13. To disconnect slow cooker, turn control knob to OFF (O); then remove plug from wall outlet.
14. **CAUTION:** To prevent damage or shock hazard, do not cook in base. Cook only in removable crock.
15. Avoid sudden temperature changes, such as adding refrigerated foods into a heated crock.
16. Do not use appliance for other than intended use.
17. Always plug into an outlet protected by a circuit breaker or fuse rated 20 A or less.

SAVE THESE INSTRUCTIONS!

Other Consumer Safety Information

This product is intended for household use only.

This product is only intended for the preparation, cooking, and serving of foods. This product is not intended for use with any nonfood materials or products.

⚠ WARNING Electrical Shock Hazard: This product is provided with a grounded (3-prong) plug to reduce the risk of electric shock. The plug fits only one way into a grounded outlet. Do not defeat the safety purpose of the plug by modifying the plug in any way or by using an adapter. If the plug does not fit into the outlet, have an electrician replace the outlet.

The length of the cord used on this appliance was selected to reduce the hazards of becoming tangled in or tripping over a longer cord. If a longer cord is necessary, an approved extension cord may be used. The electrical rating of the extension cord must be equal to or greater than the rating of the appliance. The extension cord must be a grounding-type, 3-wire cord. Care must be taken to arrange the extension cord so that it will not drape over the countertop or tabletop where it can be pulled on by children or accidentally tripped over.

To avoid an electrical circuit overload, do not use another high-wattage appliance on the same circuit with this appliance.

LID AND CROCK: PRECAUTIONS AND INFORMATION

- Please handle crock and lid carefully to ensure long life.
- Avoid sudden, extreme temperature changes. For example, do not place a hot lid or crock into cold water, or onto a wet surface.
- Avoid hitting crock or lid against faucet or other hard surfaces.
- Do not use crock or lid if chipped, cracked, or severely scratched.
- Do not use abrasive cleansers or metal scouring pads.
- The bottom of crock is very rough and can damage countertop. Use caution.
- The crock and lid can become very hot. Use caution. Do not place directly on any unprotected surface or countertop.
- The crock is microwave-safe and oven-proof, but never heat crock when empty. Never place lid or crock on a burner or stove top. Do not place lid in a microwave oven, conventional oven, or on stove top.

REMOVING LID AND CROCK

The sides of the slow cooker's base get very warm because the heating elements are located here. Use handles on base if necessary. Use oven mitts to remove crock.

Parts and Features

*To order parts:

US: 1.800.851.8900

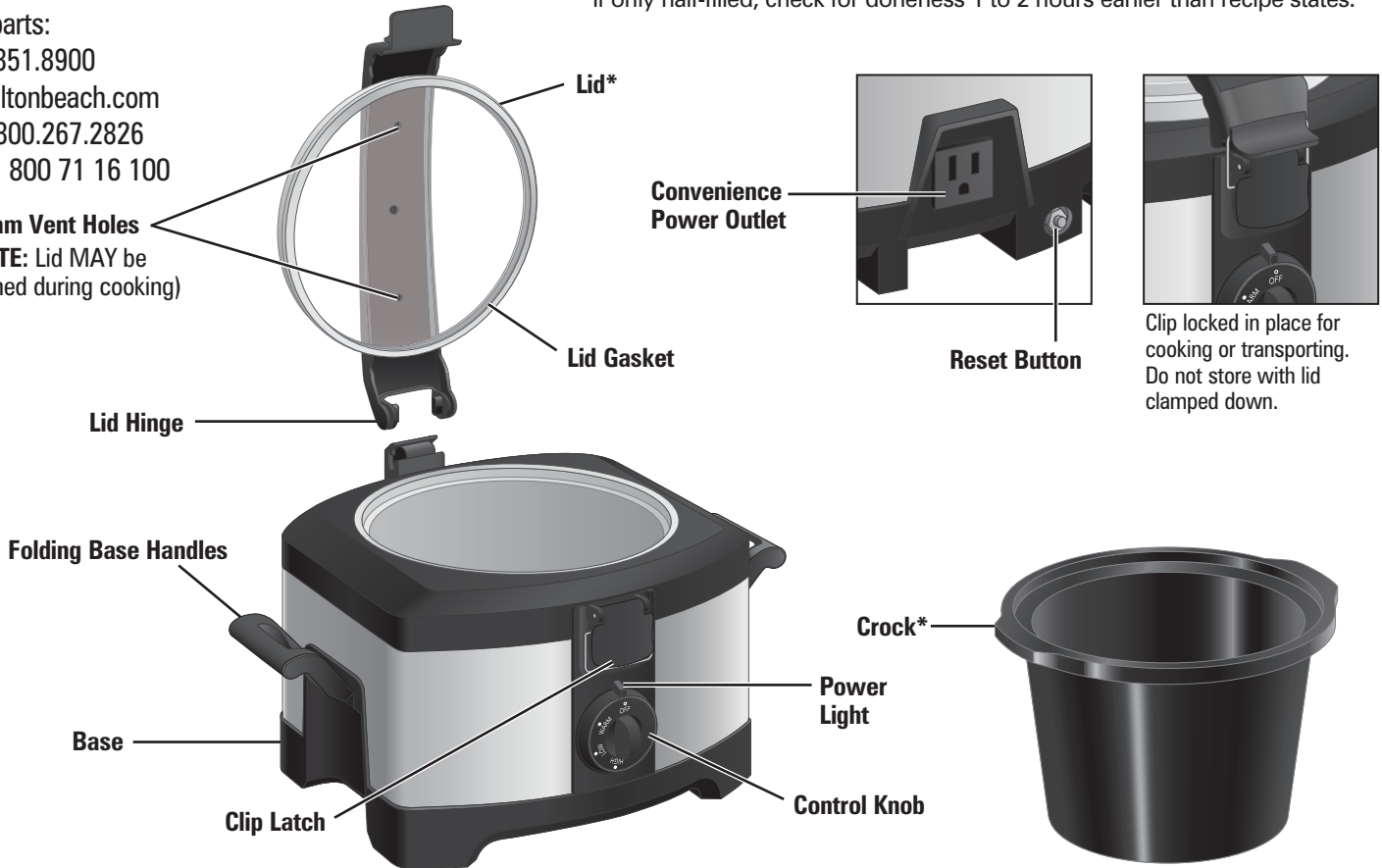
www.hamiltonbeach.com

Canada: 1.800.267.2826

Mexico: 01 800 71 16 100

Steam Vent Holes

(NOTE: Lid MAY be latched during cooking)



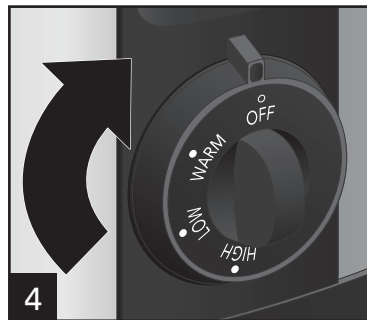
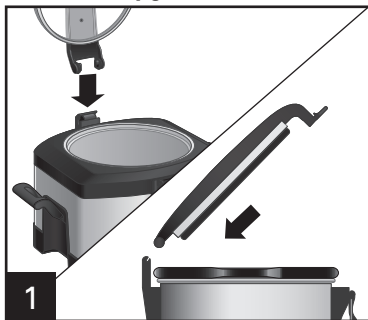
Crock Capacity

For best results, fill slow cooker crock to 1 inch (2.5 cm) or less below the lid. If only half-filled, check for doneness 1 to 2 hours earlier than recipe states.

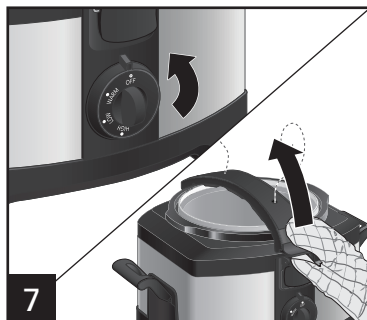
How to Use Your Slow Cooker

BEFORE FIRST USE: Wash lid and crock in hot, soapy water. Rinse and dry.

⚠ WARNING Food Safety Hazard. Food must be hot enough to prevent bacterial growth before using WARM setting. The WARM setting should only be used after a recipe has been thoroughly cooked. Do not reheat food on WARM setting. If food has been cooked and then refrigerated, reheat it on LOW or HIGH and then switch to WARM. Visit foodsafety.gov for more information.



Wattage has been adjusted to compensate for heat lost through vent holes. Rotate control knob to **LOW** or **HIGH**. Do not cook on **WARM**.



The lid should sit level on the crock for even cooking and to prevent heat loss. The lid **MAY** be latched during the cooking process.

When finished, turn **OFF (O)**.

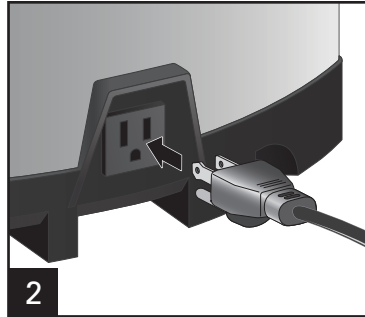
⚠ CAUTION Burn Hazard: Escaping steam is hot. Use oven mitts to lift lid.

Secure clip latch for transport.

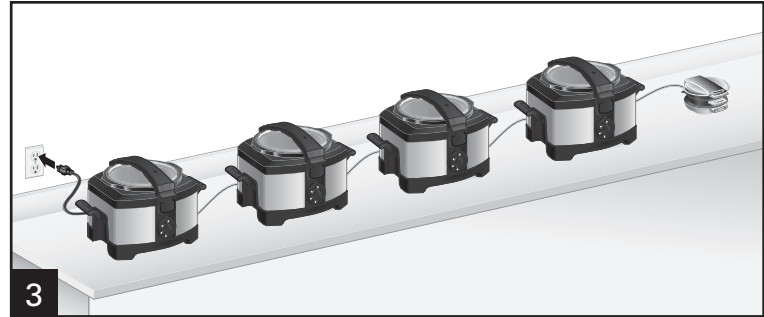
How to Connect Your Slow Cooker



Plug in your slow cooker.



Plug another slow cooker into the convenience power outlet.



Connect up to 1200 total watts. For example, connect four Slow Cookers and a Single Breakfast Sandwich Maker. For other ideas, see "Use of Convenience Power Outlet" chart on page 7.

Use of Convenience Power Outlet

**Number
of 4-Quart
Connectables
Slow Cookers
in Use***

**Available
Wattage for
Convenience
Power Outlet**

Choose One of the Following Suggested Appliances for Convenience Power Outlet Connection*

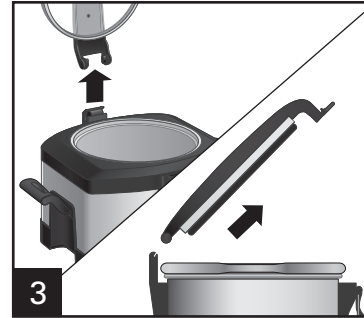
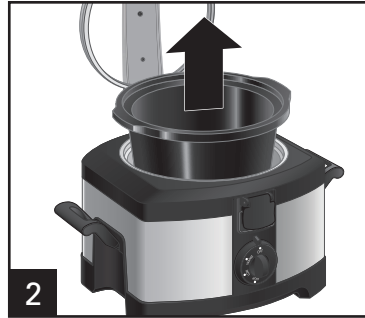
*Wattage of appliances varies. Check the wattage rating on your appliance before plugging it into your convenience power outlet.

1	+	1200 watts	40-Cup Coffee Urn, Espresso Maker, 4-Slice Toaster Oven, Pizza Maker, Panini Press
2	+	1020 watts	Popcorn Popper, 12-Cup Coffeemaker, 5th Burner Tabletop Burner
3	+	840 watts	Big Mouth™ Juice Extractor, Belgian-Style Flip Waffle Maker
4	+	660 watts	Blender, Food Processor, Stand Mixer, Single Breakfast Sandwich Maker, Rice Cooker, Waffle Maker, Warming Tray
5	+	480 watts	Salad Xpress, Egg Cooker, Personal Iced Coffee or Personal Iced Tea Brewer
6	+	300 watts	Hand Mixer, Food Chopper
7	+	120 watts	Electric Knife, 4-Quart Ice Cream Maker, Electric Can Opener

NOTE: Total wattage is 1200 when connecting appliances. If more than 1200 watts are connected at a time, one of the connected appliances could trip the circuit breaker and turn off power to all connected appliances, not just one. The POWER LIGHTS will go out. If the wattage is over 1200, unplug one of the appliances to reduce wattage and press the reset button on each slow cooker.

Cleaning and Care

⚠ WARNING Electrical Shock Hazard.
Disconnect power before cleaning. Do not immerse cord, plug, or base in any liquid.



⚠ CAUTION Burn Hazard:
Use oven mitts to remove crock and allow to cool.



DISHWASHER-SAFE

DO NOT use the "SANI" setting when washing in the dishwasher. "SANI" cycle temperatures could damage your product. Lid and crock may be washed in hot, soapy water.

To prevent lingering food smells, found in most plastic containers, clean rubber lid gasket with hot, soapy water after each use. Store with lid ajar.

Tips for Slow Cooking

- The crock should be at least half-filled for best results. If only half-filled, check for doneness 1 to 2 hours earlier than recipe time.
- Stirring is not necessary when slow cooking. Removing glass lid results in major heat loss and the cooking time may need to be extended.
- Many recipes call for cooking all day. If your morning schedule doesn't allow time to prepare a recipe, do it the night before. Place all ingredients in crock, cover with lid, and refrigerate overnight. In the morning, simply place crock in slow cooker.
- Some foods are not suited for extended cooking in a slow cooker. Pasta, seafood, milk, cream, or sour cream should be added 2 hours before serving. Evaporated milk or condensed soups are perfect for slow cooking.
- The higher the fat content of meat, the less liquid is needed. If cooking meat with a high fat content, place thick onion slices underneath so meat will not sit on (and cook in) fat.
- Slow cookers allow for very little evaporation. If making your favorite soup, stew, or sauce, reduce liquid called for in original recipe. If too thick, liquid can be added later.
- If cooking a vegetable-type casserole, there will need to be liquid in the recipe to prevent scorching on the sides of crock.
- If cooking a recipe with root vegetables, place root vegetables in the bottom of the crock.

Food Safety Tips

- Do not use frozen, uncooked meat in the slow cooker. Thaw any meat or poultry before slow cooking.
- Visit www.foodsafety.gov for more information on safe internal cooking temperatures.
- To store leftovers after cooking, do NOT place the entire crock in the refrigerator since contents will take too long to cool. Instead, divide leftovers into smaller containers and place into refrigerator.
- Never allow undercooked or raw meat to sit at room temperature in the slow cooker. Once meat is placed into the crock, it should be cooked immediately (unless prepping slow cooker the night before, where crock should be placed into the refrigerator).

IF YOU LIVE IN A HIGH-ALTITUDE AREA:

The Extension service will have detailed information about cooking for your area. To locate the Cooperative Extension service in your county, please visit: <http://www.csrees.usda.gov/Extension/>.

Entertaining Ideas

Big Game Party

Set up a buffet for your next sports-watching party. Connectables are great for parties when you are serving from multiple slow cookers. Chili, sloppy joes, queso dip, and wings are perfect candidates to fill the crocks. Here are a few of our fan favorite recipes:

Buffalo Chicken Sliders

Ingredients:

- 3/4 cup (177 ml) hot sauce
- 3 tablespoons (44 ml) butter, sliced
- 1 teaspoon (5 ml) salt
- 1/2 teaspoon (2.5 ml) pepper
- 3 pounds (1.4 kg) boneless, skinless chicken breasts
- Slider buns, split

Blue Cheese Cole Slaw

- 1/2 cup (118 ml) mayonnaise
- 4 teaspoons (20 ml) hot sauce

Directions:

1. Combine 3/4 cup (177 ml) hot sauce, butter, salt, and pepper in slow cooker crock.
2. Cover and cook on HIGH for 10 minutes or until butter is melted; stir until blended.
3. Add chicken breasts, turning to coat with hot sauce mixture.
4. Cover and cook on HIGH for 1 1/2 to 2 hours or LOW for 3 to 4 hours or until chicken is fork-tender.
5. Remove chicken from crock; reserve liquid. Shred chicken and return to crock with reserved liquid.
6. Stir mayonnaise and 4 teaspoons (20 ml) hot sauce until well-blended.
7. Spread mayonnaise mixture on bottom of buns; top with chicken mixture and coleslaw.

Serves: 6–8

10

Blue Cheese Cole Slaw

Ingredients:

- 3/4 cup (177 ml) mayonnaise
- 2 tablespoons (30 ml) cider vinegar
- 1 tablespoon (15 ml) sugar
- 1 teaspoon (5 ml) salt
- 1/2 teaspoon (2.5 ml) celery seeds
- 1/4 teaspoon (1.3 ml) pepper
- 1 small head green or red cabbage, shredded (about 5 cups [1.2 L])
- 1 container (8 oz. [227 g]) crumbled blue cheese

Directions:

1. Stir mayonnaise, vinegar, sugar, salt, celery seeds, and pepper in a large bowl until well-blended.
2. Add cabbage and blue cheese, stirring until cabbage is coated.
3. Cover and refrigerate several hours or overnight.

Serves: 10–12

Big Game Party (cont.)

New York Pizza Dip

Ingredients:

2 packages (8 oz. [227 g] each) cream cheese, softened
1 container (15 oz. [425 g]) ricotta cheese
1 stick (8 oz. [227 g]) pepperoni, chopped
1/4 cup (59 ml) grated Parmesan cheese
2 cloves garlic, minced
1 teaspoon (5 ml) Italian seasoning
1 2/3 cups (394 ml) spaghetti sauce
1 cup (237 ml) shredded mozzarella cheese
Italian seasoning

Directions:

1. Place cream cheese, ricotta cheese, pepperoni, Parmesan cheese, garlic, and 1 teaspoon (5 ml) Italian seasoning in slow cooker crock. Stir until combined.
2. Top with spaghetti sauce, mozzarella cheese, and a sprinkle of Italian seasoning.
3. Cover and cook on HIGH 1 hour or LOW 2 hours until mixture is bubbling. Serve with bagel chips or crackers.

Serves: 6–8

Backyard Party

Connectables are fantastic for outside entertaining. Most homes have only one outside outlet, but you can plug up to seven Connectables together through the convenience power outlets. Or, plug in a small blender with one Connectable for frozen drinks to cool off your friends. Try these recipes for easy entertaining outdoors:

Slow Cooker Shredded Beef Sloppy Joes

Ingredients:

- 3 1/2 pounds (1.6 kg) boneless beef chuck roast
- 1 cup (237 ml) onion, chopped
- 1 teaspoon (5 ml) fresh garlic, minced
- 1 1/4 cups (296 ml) ketchup
- 1/3 cup (79 ml) Dijon mustard
- 1/4 cup (59 ml) soy sauce
- 3 tablespoons (44 ml) Worcestershire sauce
- 3 tablespoons (44 ml) brown sugar
- Sandwich buns

Directions:

1. Cut beef into 4-inch (10.2-cm) chunks. Place in slow cooker crock.
2. In a medium bowl, combine remaining ingredients except sandwich buns and pour over beef. Stir to thoroughly coat beef chunks.
3. Cover slow cooker and cook on HIGH for 4 to 5 hours or LOW for 7 to 8 hours.
4. Remove beef and shred meat. Discard any fat.
5. Serve meat on sandwich buns and spoon on extra sauce as desired.

Serves: 12–14

Slow Cooker Easy Baked Beans

Ingredients:

- 4 cans (28 oz. [794 g] each) pinto beans, drained
- 1 large onion, chopped
- 2 cups (473 ml) ketchup
- 1 cup (237 ml) packed brown sugar
- 2 tablespoons (30 ml) ground mustard
- 1 teaspoon (5 ml) salt
- 1/2 teaspoon (2.5 ml) ground black pepper

Directions:

1. Stir beans, onion, ketchup, brown sugar, ground mustard, salt, and pepper in slow cooker crock until well-blended.
2. Cover and cook on HIGH for 4 to 5 hours or LOW for 8 to 9 hours.

Serves: 12–14

Potluck Party

No one wants food spilling in the car on the way to a potluck dinner. Connectables have a clip to seal the lid for easy travel. Fold down the handles to make more room on the table or save space by placing Connectables side by side. Here are two recipes to please the crowd:

Slow Cooker Korean-Style Chicken Wings

Ingredients:

- 3 tablespoons (44 ml) cornstarch
- 2 tablespoons (30 ml) lime juice
- 3/4 cup (177 ml) honey
- 1/2 cup (118 ml) soy sauce
- 1/3 cup (79 ml) sriracha sauce
- 1 tablespoon (15 ml) sesame oil
- 1 tablespoon (15 ml) grated ginger
- 4 garlic cloves, minced
- 4 pounds (1.8 kg) chicken wings, split at joints, tips removed
- 1/4 cup (59 ml) sliced green onions
- 1 to 2 tablespoons (15–30 ml) toasted sesame seeds

Directions:

1. In slow cooker crock, stir cornstarch and lime juice until cornstarch is dissolved.
2. Add honey, soy sauce, sriracha sauce, sesame oil, ginger, and garlic. Mix until well-blended.
3. Add wings to crock. Stir until wings are coated with honey mixture.
4. Cover and cook on HIGH for 2 hours or LOW for 4 hours.
5. Line a shallow baking pan with aluminum foil and spray with nonstick cooking spray.
6. Remove wings from sauce in crock and place on foil-lined baking pan.
7. Pour sauce into small saucepan. Cook over medium heat until sauce is reduced and thickened.
8. Heat broiler on HIGH.
9. Broil wings for 18 to 20 minutes, turning and brushing with sauce, until wings are browned and crispy.
10. Sprinkle with green onions and sesame before serving. Serve with additional sauce, if desired.

Serves: 12–14

Potluck Party (cont.)

Slow Cooker Spinach Artichoke Dip

Ingredients:

- 1 package (24 oz. [680 g]) frozen chopped spinach, thawed and squeezed dry
- 1 can (14 oz. [397 g]) artichoke hearts, drained and chopped
- 1 1/2 cups (355 ml) shredded mozzarella cheese
- 1 package (8 oz. [227 g]) cream cheese, softened
- 1/2 cup (118 ml) grated Parmesan cheese
- 1/4 cup (59 ml) mayonnaise
- 2 cloves garlic, minced
- 1 cup (237 ml) sour cream
- Salt and pepper to taste
- Assorted crackers

Directions:

1. Spray slow cooker crock with nonstick cooking spray.
2. Mix all ingredients together, except sour cream.
3. Cook on LOW for 2 to 3 hours, stirring after 1 hour.
4. Stir in sour cream and cook an additional 1/2 hour on LOW.
5. Serve with assorted crackers.

Serves: 18–20

Birthdays, Showers, or Tea Parties

When the party is a bit on the fancy side, you want to make a good impression. Connectables provide a uniform look to your buffet table and make serving easy and mess-free for your guests. The hinged lid stays up for serving and easily detaches for cleaning. Try these delicious recipes:

Slow Cooker Chocolate Fondue

Ingredients:

- 8 ounces (227 g) semi-sweet chocolate, broken into pieces
- 8 ounces (227 g) unsweetened chocolate, broken into pieces
- 6 ounces (170 g) white chocolate, broken into pieces
- 1 can (14 oz. [414 ml]) sweetened condensed milk,
- 1 1/2 cups (355 ml) whole milk
- 1/4 cup (59 ml) coffee- or almond-flavored liqueur

Suggested foods for dipping: Strawberries, pineapple chunks, banana chunks, angel food or pound cake cubes, pretzels, marshmallows, and coconut macaroon or other cookies.

Directions:

1. Stir chocolates, sweetened condensed milk, milk, and liqueur in slow cooker crock until well-blended.
2. Cover and cook on HIGH for 45 minutes. Use whisk to stir very well.
3. Reduce slow cooker temperature to LOW. Serve immediately or keep warm as desired.

Serves: 16–18

Birthdays, Showers, or Tea Parties (cont.)

Asian Chicken Wraps

Ingredients:

CHICKEN:

- 1/3 cup (79 ml) soy sauce
- 1/4 cup (59 ml) sriracha sauce
- 2 tablespoons (30 ml) rice vinegar
- 2 teaspoons (10 ml) minced fresh garlic
- 1 teaspoon (5 ml) grated fresh ginger
- 4 pounds (1.8 kg) cut-up bone-in chicken pieces

PEANUT SAUCE:

- 1/2 cup (118 ml) chunky peanut butter
- 1/4 cup (59 ml) low-sodium soy sauce
- 2 tablespoons (30 ml) sliced green onion
- 2 tablespoons (30 ml) hot water
- 1 tablespoon (15 ml) sugar
- 2 teaspoons (10 ml) lime juice
- 2 teaspoons (10 ml) rice vinegar
- 1/8 teaspoon (0.6 ml) dried red pepper flakes
- 1/8 teaspoon (0.6 ml) grated ginger
- 1/8 teaspoon (0.6 ml) minced garlic

WRAPS:

- 2 cups (473 ml) already-shredded coleslaw mix
- 1/4 cup (59 ml) chopped cilantro
- 1/4 cup (59 ml) sliced green onion
- Tortillas

Directions:

1. For chicken, combine soy sauce, sriracha sauce, rice vinegar, garlic, and ginger.
2. Layer chicken and sauce in crock. Cover and cook on HIGH 3 to 4 hours or LOW 5 to 6 hours.
3. Remove chicken. Reserve sauce.
4. Shred chicken and stir in enough reserved sauce to moisten.
5. For peanut sauce, combine sauce ingredients in a small bowl. Stir until well-blended.
6. To make wraps, toss shredded coleslaw with cilantro and green onion in a large bowl.
7. Place chicken mixture on a tortilla; top with peanut sauce and coleslaw mixture. Roll up and enjoy!

Serves: 8

Troubleshooting

PROBLEM

PROBABLE CAUSE/SOLUTION

Food is undercooked.

- Was food cooked on the WARM setting? Do not cook on WARM; always cook on LOW or HIGH heat settings.
- Was power interrupted?
- Did you select the LOW heat setting, but use a cooking time based on the HIGH heat setting?
- Did you have the lid placed correctly on the slow cooker?

The food isn't done after cooking the amount of time recommended in my recipe.

- This can be due to voltage variations (which are commonplace everywhere) or altitude. The slight fluctuations in power do not have a noticeable effect on most appliances. However, it can alter the cooking times in the slow cooker by extending the cooking times. Allow sufficient time and select the appropriate heat setting. You will learn through experience if a shorter or longer time is needed.

My meal was overcooked.

- Was the crock at least half full? The slow cooker has been designed to thoroughly cook food in a filled crock. If the crock is only half-filled, check for doneness 1 to 2 hours earlier than recipe states.
- Did you select correct number of hours based on cooking temperature (Low or High)?
- Foods will continue to increase in temperature after desired temperature has been reached.

Circuit breaker tripped.

- Wattage was too high with one of the connected appliances. Unplug appliances and press the reset button, located on the back of the slow cooker.

Notes

Limited Warranty

This warranty applies to products purchased and used in the U.S. and Canada. This is the only express warranty for this product and is in lieu of any other warranty or condition.

This product is warranted to be free from defects in material and workmanship for a period of five (5) years from the date of original purchase in Canada and one (1) year from the date of original purchase in the U.S. During this period, your exclusive remedy is repair or replacement of this product or any component found to be defective, at our option; however, you are responsible for all costs associated with returning the product to us and our returning a product or component under this warranty to you. If the product or component is no longer available, we will replace with a similar one of equal or greater value.

This warranty does not cover glass, filters, wear from normal use, use not in conformity with the printed directions, or damage to the product resulting from accident, alteration, abuse, or misuse. This warranty extends only to the original consumer purchaser or gift recipient. Keep the original sales receipt, as proof of purchase is required to make a warranty claim. This warranty is void if the product is used for other than single-family household use or subjected to any voltage and waveform other than as specified on the rating label (e.g., 120V ~ 60 Hz).

We exclude all claims for special, incidental, and consequential damages caused by breach of express or implied warranty. All liability is limited to the amount of the purchase price. **Every implied warranty, including any statutory warranty or condition of merchantability or fitness for a particular purpose, is disclaimed except to the extent prohibited by law, in which case such warranty or condition is limited to the duration of this written warranty.** This warranty gives you specific legal rights. You may have other legal rights that vary depending on where you live. Some states or provinces do not allow limitations on implied warranties or special, incidental, or consequential damages, so the foregoing limitations may not apply to you.

To make a warranty claim, do not return this appliance to the store. Please call 1.800.851.8900 in the U.S. or 1.800.267.2826 in Canada or visit hamiltonbeach.com in the U.S. or hamiltonbeach.ca in Canada. For faster service, locate the model, type, and series numbers on your appliance.

PRÉCAUTIONS IMPORTANTES

Pour utiliser un appareil électroménager, vous devez toujours prendre des mesures élémentaires de sécurité pour réduire le risque d'incendie, d'électrocution et/ou de blessure corporelle, en particulier les mesures suivantes :

1. Lire toutes les instructions.
2. Cet appareil n'est pas destiné à être utilisé par des personnes (y compris les enfants) dont les capacités physiques, sensorielles ou mentales sont réduites, ou manquant d'expérience et de connaissance, sauf si elles sont étroitement surveillées et instruites sur l'utilisation de l'appareil par une personne responsable de leur sécurité.
3. Une surveillance étroite est requise pour tout appareil utilisé par ou près des enfants. Surveiller que les enfants ne jouent pas avec l'appareil.
4. Ne pas toucher les surfaces chaudes. Utiliser les poignées ou les boutons.
5. Pour se protéger contre le risque de choc électrique, ne pas immerger le cordon, la fiche ou la base dans l'eau ou tout autre liquide.
6. Débrancher l'appareil de la prise de courant électrique lorsqu'il n'est pas utilisé et avant un nettoyage. Le laisser refroidir avant un nettoyage et avant d'y placer ou d'y enlever des pièces.
7. Ne pas faire fonctionner un appareil électroménager dont le cordon ou la fiche sont endommagés, ou lorsque l'appareil ne fonctionne pas bien, ou a été échappé ou endommagé d'une manière quelconque. Appeler notre numéro sans frais de service à la clientèle pour des renseignements concernant l'examen, la réparation ou l'ajustement.
8. L'utilisation d'accessoires non recommandés par le fabricant de l'appareil peut causer des blessures.
9. Ne pas utiliser à l'extérieur.
10. Ne pas laisser le cordon pendre du bord d'une table ou d'un comptoir, ou toucher des surfaces chaudes, y compris la cuisinière.
11. Ne pas placer l'appareil sur ou près d'un brûleur à gaz chaud, ou d'un élément électrique, ou dans un four chauffé.
12. Il est nécessaire de faire preuve de la plus grande prudence en déplaçant un appareil électroménager contenant de l'huile chaude ou d'autres liquides chauds.
13. Pour débrancher la mijoteuse, tourner le bouton de commande à OFF (O/arrêt), puis débrancher la fiche de la prise.
14. **MISE EN GARDE** : Afin de prévenir l'endommagement ou le risque de choc, ne pas cuire dans la base. Cuire seulement dans le plat amovible.
15. Éviter les changements soudains de température, tels que l'ajout de nourriture sortant du réfrigérateur dans un plat chauffé.
16. Ne pas utiliser l'appareil électroménager à une fin autre que celle prévue.
17. Toujours brancher dans une prise de courant protégée par un disjoncteur ou un fusible de 20 A ou moins.

CONSERVEZ CES INSTRUCTIONS !

Autre consigne de sécurité pour le consommateur

Cet appareil est destiné à un usage domestique uniquement.

Ce produit est conçu uniquement pour préparer, faire cuire et servir des aliments. Ce produit n'est pas conçu pour une utilisation avec toute autre matière ou produit non alimentaire.

⚠ AVERTISSEMENT Risque de choc électrique : Ce produit est fourni avec une fiche à prise de terre (3 broches) pour réduire le risque de choc électrique. La fiche ne tient que dans un sens dans une prise mise à la terre. Ne pas transformer le dispositif de sécurité de la fiche en modifiant celle-ci de quelconque façon ou en utilisant un adaptateur. Si vous ne pouvez pas insérer la fiche dans la prise, faire remplacer la prise par un électricien.

La longueur du cordon installé sur cet appareil a été sélectionnée afin de réduire les risques d'enchevêtrement ou de faux pas causés par un fil trop long. L'utilisation d'une rallonge approuvée est permise si le cordon est trop court. Les caractéristiques électriques de la rallonge doivent être équivalentes ou supérieures aux caractéristiques de l'appareil. La rallonge doit être du type à mise à la terre, à 3 fils. Prendre toutes les précautions nécessaires pour installer la rallonge de manière à ne pas la faire courir sur le comptoir ou sur une table pour éviter qu'un enfant ne tire sur le cordon ou trébuche accidentellement.

COUVERCLE ET POT: PRÉCAUTIONS ET INFORMATION

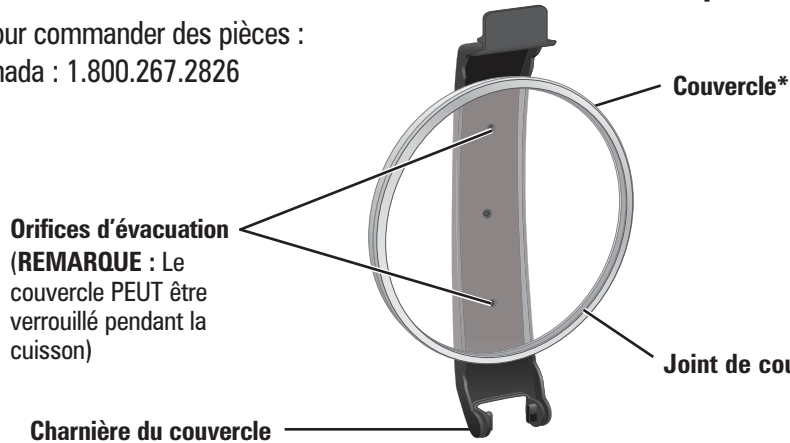
- Veuillez manipuler le pot et le couvercle avec soin pour assurer leur durabilité.
- Évitez des changements de température brusques et extrêmes. Par exemple, ne placez pas un couvercle ou un pot chaud dans l'eau froide ou sur une surface mouillée.
- Évitez de frapper le pot et le couvercle sur le robinet ou sur toute surface rigide.
- N'utilisez pas le pot ou le couvercle si l'un ou l'autre est ébréché, fendillé ou très écorché.
- N'utilisez pas de nettoyeurs abrasifs ou de tampon métallique à récurer.
- La base du pot est très rugueuse et peut endommager un revêtement de comptoir. Faites preuve de prudence.
- Le pot et son couvercle peuvent devenir très chauds. Faites preuve de prudence. Ne les déposez pas directement sur une surface ou un revêtement de comptoir non protégés.
- Le pot peut aller au four à micro-ondes et au four régulier. Évitez, toutefois, de chauffer le pot lorsqu'il est vide. Ne jamais déposer le couvercle ou la mijoteuse sur un brûleur ou une surface de cuisson. Ne placez pas le couvercle dans le four à micro-ondes, dans le four conventionnel ou directement sur le poêle.

SOULÈVEMENT DU COUVERCLE ET DU POT

Les côtés de la base de la mijoteuse deviennent très chauds car c'est là que se trouvent les éléments chauffants. Au besoin, utilisez les poignées sur la base. Utilisez des gants de cuisine pour retirer le pot.

Pièces et caractéristiques

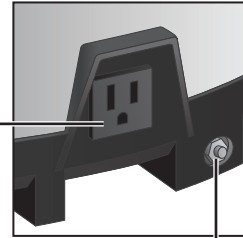
*Pour commander des pièces :
Canada : 1.800.267.2826



Capacité du pot

Pour des résultats optimaux, remplir le pot jusqu'à la moitié de sa capacité ou jusqu'à 2,5 cm (1 po) du rebord. Si le pot est rempli à mi-hauteur, vérifier l'état de cuisson 1 à 2 heures avant l'achèvement du temps de cuisson indiqué dans la recette.

Prise de courant pratique



Bouton de remise à zéro

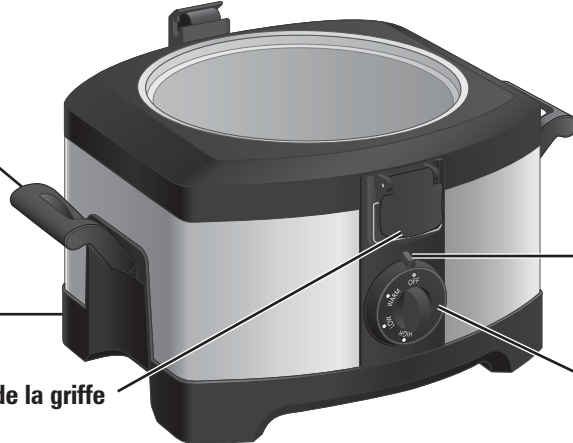


Griffe verrouillée pour la cuisson ou le transport. Ne pas ranger l'appareil lorsque le couvercle est enclenché.

Poignées pliantes de la base

Base

Verrouillage de la griffe



Pot*

Voyant d'alimentation

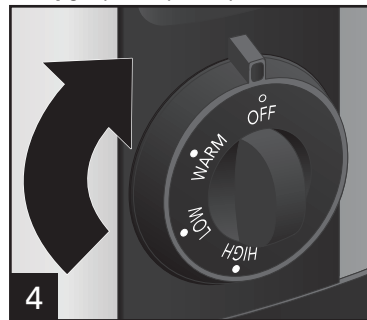
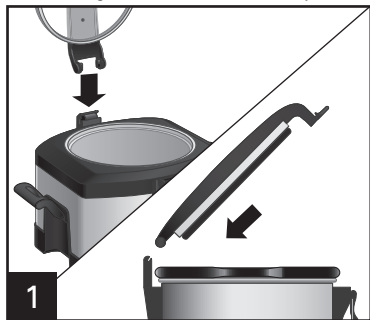
Bouton de commande



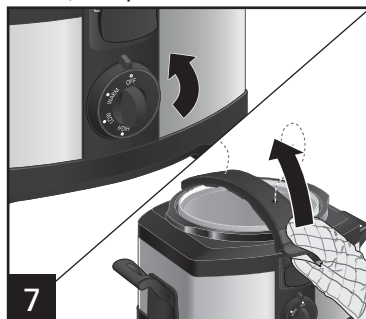
Utilisation de la mijoteuse

AVANT LA PREMIÈRE UTILISATION : Laver le couvercle et le pot dans l'eau chaude savonneuse. Rincer et assécher.

⚠ AVERTISSEMENT Danger pour la salubrité des aliments. Les aliments doivent être suffisamment chauds pour prévenir toute croissance bactérienne avant d'utiliser le réglage WARM (chaud). Le réglage WARM (chaud) ne doit être utilisé qu'après la cuisson complète des aliments. Ne réchauffez pas les aliments placés sous le réglage WARM (chaud). Si les aliments ont cuit et ont été réfrigérés, réchauffez-les à température LOW (basse) ou HIGH (élevée) ; passez ensuite au réglage WARM (chaud). Visitez le site Internet foodsafety.gov pour de plus amples informations.



La puissance a été réglée pour compenser la perte de chaleur par les orifices d'évacuation. Tourner le bouton de commande à **LOW** (basse) ou **HIGH** (élevée). Ne pas cuire en utilisant le mode de **WARM** (chaud).



Le couvercle doit être déposé correctement sur la mijoteuse pour une cuisson uniforme et prévenir la perte de chaleur. Le couvercle PEUT être verrouillé pendant la cuisson.

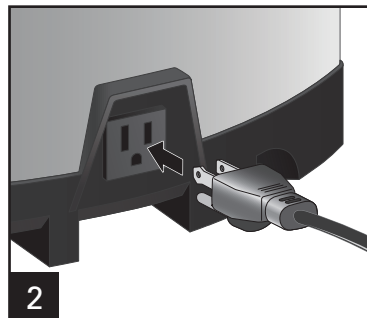
Lorsque la cuisson est terminée, tourner le bouton à **OFF** (O/arrêt).

⚠ MISE EN GARDE Danger de brûlure : La vapeur qui s'échappe est chaude. Utilisez des gants de cuisine pour soulever le couvercle. Sécuriser le griffe de serrage pour le transport.

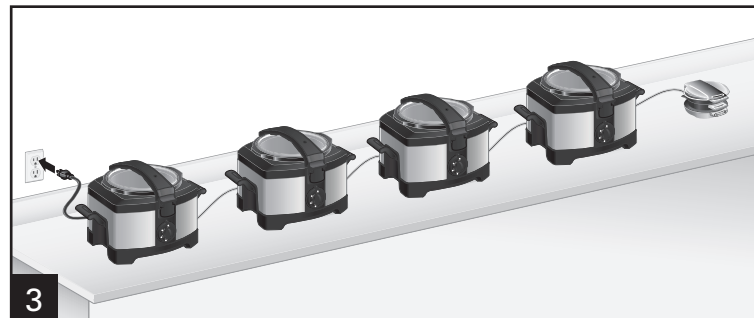
Comment raccorder la mijoteuse



Brancher la mijoteuse.



Brancher une autre mijoteuse dans la prise de courant pratique.



Raccorder jusqu'à une puissance totale de 1 200 W. Exemple : raccorder quatre mijoteuses et un grille-sandwich. Pour avoir d'autres idées, consulter le chapitre « Utilisation de la prise de courant pratique » à la page 25.

Utilisation de la prise de courant pratique

Nombre de
mijoteuses
raccordables
de 4 pintes
(3,8 L)
utilisées*

Tension
disponible
pour la prise
de courant
pratique

Choisir l'un des appareils suggérés suivants à brancher avec la prise de courant pratique*

*La puissance des appareils varie. Vérifier la puissance de l'appareil avant de le brancher dans la prise de courant pratique.

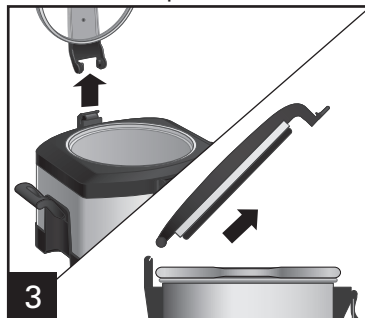
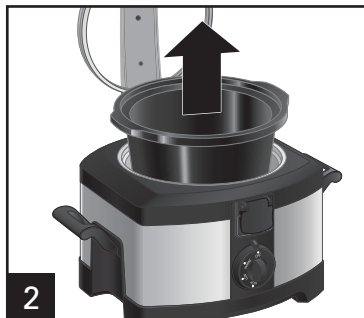
1	+	1200 W	Urne à café de 40 tasses, machine à espresso, four/grille-pain à 4 tranches, machine à pizza, presse-paninis/grille-sandwichs
2	+	1020 W	Éclateur de maïs, cafetière de 12 tasses, 5 ^e brûleur pour table de cuisson
3	+	840 W	Centrifugeuse Big Mouth ^{MC} , gaufrier retournable de style belge
4	+	660 W	Mélangeur, robot culinaire, mélangeur sur socle, grille-sandwich pour le déjeuner, cuiseur de riz, gaufrier, chauffe-plat
5	+	480 W	Robot de cuisine compact Salad Xpress, cuiseur à œufs, infuseur à café froid 1 tasse ou infuseur à thé glacé 1 tasse
6	+	300 W	Mélangeur à main, hachoir
7	+	120 W	Couteau électrique, sorbetière de 4 L pour crème glacée, ouvre-boîte électrique

REMARQUE : La puissance totale disponible pour brancher les appareils est de 1200 W. Si la puissance raccordée est supérieure à 1200 W lorsque les appareils sont tous branchés, les appareils raccordés peuvent provoquer le déclenchement du disjoncteur et ainsi interrompre le courant de tous les appareils branchés, et non pas un seul. Les TÉMOINS D'ALIMENTATION s'éteindront. Si la puissance est supérieure à 1200 W, débrancher un des appareils afin de réduire la demande de puissance et appuyer sur le bouton de réinitialisation de chaque mijoteuse.

Nettoyage et entretien

⚠ AVERTISSEMENT Risque d'électrocution.

Débranchez l'appareil avant le nettoyage. N'immergez pas le cordon, la fiche ou la base dans tout autre liquide.



⚠ MISE EN GARDE Danger de brûlure : Utilisez des gants de cuisine pour retirer le pot et laisser refroidir.



Nettoyer le joint du couvercle avec de l'eau chaude savonneuse pour prévenir les odeurs persistantes des aliments produites par la plupart des contenants de plastiques. Ranger sans fermer le couvercle.

NE PAS utiliser le réglage "SANI" du lave-vaisselle. Les températures du cycle "SANI" peuvent endommager le produit. Le couvercle et le pot peuvent être lavés dans l'eau chaude savonneuse.

Conseils pour cuisson à la mijoteuse

- Pour de meilleurs résultats, remplissez le pot d'aliments jusqu'à demi-hauteur. Si le pot est rempli à demi-hauteur, vérifiez l'état de cuisson 1 à 2 heures avant l'achèvement du temps de cuisson indiqué dans la recette.
- Il n'est pas nécessaire de brasser les aliments dans la mijoteuse ; le retrait du couvercle de verre entraîne une perte importante de chaleur, ce qui peut obliger à prolonger le temps de cuisson.
- Plusieurs recettes exigent toute une journée de cuisson. Si votre horaire du matin ne vous permet pas de préparer la recette, cuisinez-la le soir précédent. Déposez tous les ingrédients dans le pot, mettez le couvercle en place et réfrigérez toute la nuit. Le matin, déposez le pot dans la base.
- Certains aliments ne se prêtent pas bien à une cuisson prolongée à la mijoteuse. Versez les pâtes, les fruits de mer, le lait, la crème ou la crème sûre dans la mijoteuse 2 heures avant de servir la recette. Le lait évaporé et les soupes concentrées se prêtent bien à la cuisson à la mijoteuse.
- Plus la teneur en gras dans la viande est élevée, moins il faut de liquide pour la recette. Lorsque vous cuisez des viandes à teneur élevée en gras, déposez des tranches d'oignons épaisses sous la viande pour éviter que la viande ne repose et ne cuise dans le gras.
- Peu d'évaporation se produit lors de cuisson à la mijoteuse. Lorsque vous préparez votre soupe, votre sauce ou votre ragoût préféré, réduisez le volume de liquide indiqué dans la recette originale. Si le mélange est trop épais, vous pourrez ajouter du liquide éventuellement.
- Lorsque vous préparez une casserole de légumes, vous devrez ajouter du liquide à la recette pour éviter que le mélange ne brûle le long des parois du pot.
- Pour des recettes comprenant des légumes-racine, placer ces derniers au fond de la mijoteuse.

Conseils de sécurité pour la cuisson

- N'utilisez jamais de viande congelée, non cuite dans la mijoteuse. Dégelez toute viande ou toute volaille avant de la faire mijoter.
- Visiter le site www.foodsafety.gov pour plus d'information au sujet de la température de cuisson interne des aliments.
- Pour ranger les restes après la cuisson, ne PAS placer toute la mijoteuse au réfrigérateur, car la durée de refroidissement sera trop longue. Séparer les restes en les déposant dans des petits contenants et placer au réfrigérateur.
- Ne jamais laisser reposer une viande insuffisamment cuite ou crue dans une mijoteuse à la température ambiante. La viande doit être cuite dès qu'elle est placée dans la mijoteuse (sauf pour les préparations faites la veille et que la mijoteuse a été placée au réfrigérateur).

SI VOUS HABITEZ DANS UNE RÉGION À HAUTE ALTITUDE :

Les services de vulgarisation offrent les informations au sujet de la cuisson pour votre région. Pour trouver la coopérative de services de vulgarisation, veuillez visiter le site <http://www.csrees.usda.gov/Extension/>.

Idées amusantes

Fête pour joute importante

Préparer un buffet pour la prochaine joute sportive. Les mijoteuses raccordables sont idéales pour les festivités pour faire un service à l'aide de plusieurs mijoteuses. Les chili, sloppy joe, trempette au fromage et les ailes sont des aliments idéaux à servir à même les mijoteuses. Voici quelques-unes de recettes préférées des amateurs :

Mini-pains burger au poulet Buffalo effiloché

Ingrédients :

3/4 tasse (177 ml) de sauce piquante	3 lb (1,4 kg) de poitrines de poulet, sans os, sans la peau
3 c. à table (44 ml) de beurre, coupé en tranches	Mini-pain burger, séparé
1 c. à thé (5 ml) de sel	Salade de chou au fromage bleu
1/2 c. à thé (2,5 ml) de poivre	1/2 tasse (118 ml) de mayonnaise
	4 c. à thé (20 ml) de sauce piquante

Instructions :

1. Combiner 3/4 tasse (177 ml) de sauce piquante, le beurre, le sel et le poivre dans le pot de la mijoteuse.
2. Couvrir et cuire à haute intensité (HIGH) pendant 10 minutes ou jusqu'à ce que le beurre soit fondu. Bien mélanger.
3. Ajouter les poitrines de poulet et remuer pour couvrir avec le mélange de sauce piquante.
4. Couvrir et cuire à haute intensité (HIGH) pendant 1 1/2 à 2 heures ou à basse intensité (LOW) pendant 3 à 4 heures ou jusqu'à ce que le poulet soit tendre sous la fourchette.
5. Retirer le poulet du pot et réserver le liquide. Effiloche le poulet et remettre dans le pot avec le liquide réservé.
6. Mélanger la mayonnaise et 4 c. à thé (20 ml) de sauce piquante jusqu'à onctuosité.
7. Tartiner le mélange de mayonnaise sur la partie inférieure des mini-pains, garnir avec le mélange de poulet et la salade de chou.

Servir : 6 à 8 portions

Fête pour joute importante (suite)

Salade de chou au fromage bleu

Ingrédients :

- 3/4 tasse (177 ml) de mayonnaise
- 2 c. à table (30 ml) de vinaigre de cidre
- 1 c. à table (15 ml) de sucre
- 1 c. à thé (5 ml) de sel
- 1/2 c. à thé (2,5 ml) de graines de céleri
- 1/4 c. à thé (1,25 ml) de poivre
- 1 petit chou vert ou rouge, râpé (env. 5 tasses [1,2 L])
- 1 contenant de 8 oz (227 g) de fromage bleu émiété

Instructions :

1. Bien mélanger la mayonnaise, le vinaigre, le sucre, le sel, les graines de céleri et le poivre dans un grand bol.
2. Ajouter le chou et le fromage bleu et mélanger pour bien enrober le chou.
3. Couvrir et réfrigérer plusieurs heures ou toute la nuit.

Servir : 10 à 12 portions

Trempe à pizza style New York

Ingrédients :

- 2 paquets (8 oz [227 g]) de fromage à la crème, ramolli
 - 1 contenant (15 oz [425 g]) de fromage ricotta
 - 1 saucisson (8 oz [227 g]) de pepperoni, haché
 - 1/4 tasse (59 ml) de fromage parmesan
 - 2 gousses d'ail, haché fin
 - 1 c. à thé (5 ml) d'assaisonnement italien
 - 1 2/3 tasse (394 ml) de sauce à spaghetti
 - 1 tasse (237 ml) de fromage mozzarella, râpé
- Assaisonnement italien

Instructions :

1. Déposer le fromage à la crème, le fromage ricotta, le pepperoni, le fromage parmesan, l'ail et 1 c. à thé (5 ml) d'assaisonnement italien dans le pot de la mijoteuse. Bien mélanger.
2. Garnir avec la sauce à spaghetti, le fromage mozzarella et parsemer avec l'assaisonnement italien.
3. Couvrir et cuire à haute intensité (HIGH) pendant 1 heure ou à basse intensité (LOW) pendant 2 heures jusqu'à ce que le mélange bouillonne. Servir sur des croustilles de bagel ou des craquelins.

Servir : 6 à 8 portions

Fête au jardin

Les mijoteuses raccordables sont fantastiques pour les fêtes à l'extérieur. Plusieurs maisons ne disposent que d'une prise de courant extérieure, mais le branchement de sept mijoteuses raccordables est possible grâce aux prises de courant pratiques. Ou, brancher un petit mélangeur pour les boissons glacées pour rafraîchir les invités. Voici quelques recettes faciles pour les fêtes à l'extérieur :

Sloppy joes au bœuf haché à la mijoteuse

Ingrédients :

- 3 1/2 lb (1,6 kg) de palette de bœuf désossé
- 1 tasse (237 ml) d'oignon haché
- 1 c. à thé (5 ml) d'ail frais émincé
- 1 1/4 tasse (296 ml) de ketchup
- 1/3 tasse (79 ml) de moutarde de Dijon
- 1/4 tasse (59 ml) sauce soya
- 3 c. à table (44 ml) de sauce Worcestershire
- 3 c. à table (44 ml) de cassonade
- Pains à sandwich

Instructions :

1. Couper le bœuf en morceaux de 4 po (10,2 cm). Déposer dans la mijoteuse.
2. Dans un bol moyen, combiner le reste des ingrédients sauf les pains à sandwich et verser sur le boeuf. Bien mélanger pour enrober complètement la viande.
3. Mettre le couvercle sur la mijoteuse et cuire à intensité élevée (HIGH) pendant 4 à 5 heures ou à basse intensité (LOW) pendant 7 à 8 heures.
4. Retirer le bœuf et hacher la viande. Jeter tout le gras.
5. Servir la viande sur des pains à sandwich et y ajouter de la sauce au goût.

Servir : 12 à 14 portions

Haricots à la mijoteuse facile à cuire

Ingrédients :

- 4 boîtes (28 oz [796 g]) d'haricots pinto égouttés
- 1 gros oignon haché
- 2 tasses (473 ml) de ketchup
- 1 tasse (237 ml) de cassonade bien tassée
- 2 c. à table (30 ml) de moutarde moulue
- 1 c. à thé (5 ml) de sel
- 1/2 c. à thé (2,5 ml) de poivre noir moulu

Instructions :

1. Bien mélanger les haricots, l'oignon, le ketchup, la cassonade, la moutarde moulue, le sel et le poivre dans la mijoteuse.
2. Mettre le couvercle sur la mijoteuse et cuire à intensité élevée (HIGH) pendant 4 à 5 heures ou à basse intensité (LOW) pendant 8 à 9 heures.

Servir : 12 à 14 portions

Repas-partage

Personne ne souhaite voir des aliments se renverser dans la voiture lors d'un déplacement pour se rendre à un repas-partage. Abaisser les poignées pour réduire l'espace occupé sur la table ou placer les mijoteuses côte à côte pour économiser l'espace. Voici deux recettes qui plairont aux invités :

Ailes de poulet de style coréen à la mijoteuse

Ingrédients :

- 3 c. à table (44 ml) de fécule de maïs
- 2 c. à table (30 ml) de jus de limette
- 3/4 tasse (177 ml) de miel
- 1/2 tasse (118 ml) de sauce soja
- 1/3 tasse (79 ml) de sauce sriracha
- 1 c. à table (15 ml) d'huile de sésame
- 1 c. à table (15 ml) de gingembre, râpé
- 4 gousses d'ail, émincées
- 4 lb (1,8 kg) d'ailes de poulet, coupées à l'articulation et pointes enlevées
- 1/4 tasse (59 ml) d'oignons verts, tranchés
- 1 à 2 c. à table (15 à 30 ml) de graines de sésame grillées

Instructions :

1. Dans le pot de la mijoteuse, mélanger la fécule de maïs et le jus de limette jusqu'à ce que la fécule de maïs soit dissoute.
2. Ajouter le miel, la sauce soja, la sauce sriracha, l'huile de sésame, le gingembre et l'ail. Bien mélanger.
3. Ajouter les ailes dans le pot. Mélanger pour recouvrir les ailes du mélange au miel.
4. Couvrir et cuire à haute intensité (HIGH) pendant 2 heures ou à basse intensité (LOW) pendant 4 heures.
5. Tapisser un moule peu profond avec une feuille d'aluminium puis vaporiser avec un enduit à cuisson antiadhésif.
6. Retirer les ailes de la sauce du pot et les déposer sur la feuille d'aluminium du moule.
7. Verser la sauce dans un petit saucier. Cuire à feu moyennement élevé pour réduire et épaissir la sauce.
8. Faire chauffer le gril à haute intensité (HIGH).
9. Griller les ailes pendant 18 à 20 minutes en les tournant et les brossant avec la sauce, jusqu'à ce que les ailes soient grillées et croustillantes.
10. Parsemer d'oignons verts et de graines de sésame avant de servir. Servir avec de la sauce, si désiré.

Servir : 12 à 14 portions

Repas-partage (suite)

Trempe à l'artichaut et aux épinards à la mijoteuse

Ingrédients :

- 1 paquet (24 oz [680 g]) d'épinards congelés, décongelés et asséchés
- 1 boîte (14 oz [397 g]) de cœurs d'artichaut, égouttés et hachés
- 1 1/2 tasse (355 ml) de mozzarella râpé
- 1 paquet (8 oz [227 g]) de fromage à la crème ramolli
- 1/2 tasse (118 ml) de fromage parmesan râpé
- 1/4 tasse (59 ml) de mayonnaise
- 2 gousses d'ail émincées
- 1 tasse (237 ml) de crème sûre
- Sel et poivre au goût
- Craquelins assortis

Instructions :

1. Vaporiser le pot de la mijoteuse avec en enduit pour cuisson.
2. Mélanger tous les ingrédients, sauf la crème sûre.
3. Cuire à basse intensité (LOW) pendant 2 à 3 heures en remuant après 1 heure.
4. Incorporer et mélanger la crème sûre et poursuivre la cuisson à basse intensité (LOW) pendant 1/2 heure.
5. Servir sur des craquelins assortis.

Servir : 18 à 20 portions

Anniversaires, réception-cadeaux et goûters

Lorsque la fête doit révéler une certaine élégance, vous voudrez y faire bonne impression. Les mijoteuses raccordable offre une allure uniforme à la table du buffet, facilite le service et évite les taches sur vos invités. Le couvercle à charnière lui permet de rester ouvert pour le service et se détache facilement pour le nettoyage. Voici quelques délicieuses recettes :

Fondue au chocolat à la mijoteuse

Ingrédients :

8 oz (227 g) de chocolat semi-sucré brisé en morceaux

8 oz (227 g) de chocolat non sucré brisé en morceaux

6 oz (170 g) de chocolat blanc brisé en morceaux

1 boîte (14 oz [398 ml]) de lait condensé sucré

1 1/2 tasse (355 ml) de lait entier

1/4 tasse (59 ml) de liqueur de café ou d'amande

Aliments suggérés à servir : Fraises, morceaux d'ananas, morceaux de banane, gâteau des anges ou quatre-quarts en cubes, bretzels, guimauves, macarons à la noix de coco et autres biscuits.

Instructions :

1. Bien mélanger les chocolats, le lait condensé sucré, le lait et la liqueur dans le pot de la mijoteuse.
2. Couvrir et cuire à intensité élevée (HIGH) pendant 45 minutes. Bien mélanger à l'aide d'un fouet.
3. Réduire la température de la mijoteuse à basse intensité (LOW). Servir immédiatement ou garder au chaud si désiré.

Servir : 16 à 18 portions

Anniversaires, réception-cadeaux et goûters (suite)

Sandwichs roulés asiatiques au poulet

Ingrédients :

POULET :

- 1/3 tasse (79 ml) de sauce soja
- 1/4 tasse (59 ml) de sauce Sriracha
- 2 c. à table (30 ml) de vinaigre de riz
- 2 c. à thé (10 ml) d'ail frais émincé
- 1 c. à thé (5 ml) de gingembre frais, râpé
- 4 lb (1,8 kg) de morceaux de poulet avec l'os, coupés

SAUCE AUX ARACHIDES :

- 1/2 tasse (118 ml) de beurre d'arachide croquant
- 1/4 tasse (59 ml) de sauce soja, faible en sodium
- 2 c. à table (30 ml) d'oignon vert, tranché
- 2 c. à table (30 ml) d'eau chaude
- 1 c. à table (15 ml) de sucre
- 2 c. à thé (10 ml) de jus de limette
- 2 c. à thé (10 ml) de vinaigre de riz
- 1/8 c. à thé (0,6 ml) de flocons de piment rouge séché
- 1/8 c. à thé (0,6 ml) de gingembre, râpé
- 1/8 c. à thé (0,6 ml) d'ail émincé

SANDWICHS ROULÉS :

- 2 tasses (473 ml) de salade de chou mélangée, déjà râpée
- 1/4 tasse (59 ml) de coriandre, hachée
- 1/4 tasse (59 ml) d'oignon vert, tranché
- Tortillas

Instructions :

1. Pour le poulet, combiner la sauce soja, la sauce sriracha, le vinaigre de riz, l'ail et le gingembre.
2. Déposer le poulet en couche et la sauce dans le pot. Couvrir et cuire à haute intensité (HIGH) pendant 3 à 4 heures ou à basse intensité (LOW) pendant 5 à 6 heures.
3. Retirer le poulet. Réserver la sauce.
4. Hacher le poulet et mélanger dans la sauce réserver pour bien enrober.
5. Pour la sauce aux arachides, combiner les ingrédients de la sauce dans un petit bol. Bien mélanger.
6. Pour faire les sandwichs roulés, mélanger la salade de chou râpé avec la coriandre et l'oignon vert dans un grand bol.
7. Déposer le mélange de poulet sur un tortilla, garnir de sauce aux arachides et du mélange de salade de chou. Rouler et savourer!

Servir : 8 portions

Dépannage

PROBLÈME

CAUSE POSSIBLE/SOLUTION

Les aliments ne sont pas assez cuits.

- Les aliments ont-ils cuit avec le réglage chaud (WARM) ? Ne pas utiliser le réglage chaud (WARM) pour cuire les aliments ; toujours utiliser les intensités élevées (HIGH) ou basses (LOW).
- Y a-t-il eu une panne électrique ?
- Le réglage de basse intensité (LOW) a-t-il été choisi et utilisé pour un temps de cuisson basé sur la haute intensité (HIGH) ?
- Le couvercle était-il placé correctement sur la mijoteuse ?

Les aliments ne sont pas cuits même après avoir suivi le temps de cuisson recommandé par ma recette.

- Ceci peut survenir suite à des variations de tension électrique (phénomène commun presque partout) ou à l'altitude. Les petites variations de tension n'ont pas d'effets remarquables sur la plupart des appareils électroménagers. Cependant, elles peuvent nuire au temps de cuisson de la mijoteuse et nécessiter un temps de cuisson plus long. Allouer suffisamment de temps et choisir le réglage de température approprié. Vous apprendrez ces temps de cuisson plus ou moins longs avec l'expérience.

La viande est trop cuite.

- Le pot était-il rempli jusqu'à la moitié de sa capacité ? La mijoteuse a été conçue pour cuire entièrement les aliments dans un pot rempli à pleine capacité. Si le pot de la mijoteuse est rempli à mi-hauteur, vérifier si la viande est cuite de 1 à 2 heures avant la fin du temps de cuisson recommandé par la recette.
- Le nombre exact d'heures a-t-il été sélectionné selon la haute intensité (HIGH) ou la basse intensité (LOW) ?
- La température des aliments continue de s'élever après avoir atteint la température désirée.

Disjoncteur déclenché.

- La puissance de l'un des appareils raccordés est trop élevée. Débrancher les appareils et appuyer sur le bouton de réinitialisation situé à l'arrière de la mijoteuse.

Notes

Garantie limitée

Cette garantie s'applique aux produits achetés et utilisés aux É.-U. et au Canada. C'est la seule garantie expresse pour ce produit et est en lieu et place de tout autre garantie ou condition.

Ce produit est garanti contre tout défaut de matériaux et de main-d'oeuvre pour une période des cinq (5) ans à compter de la date d'achat d'origine au Canada et un (1) an à compter de la date d'achat d'origine aux É.-U. Au cours de cette période, votre seul recours est la réparation ou le remplacement de ce produit ou tout composant s'avérant défectueux, à notre gré, mais vous êtes responsable de tous les coûts liés à l'expédition du produit et le retour d'un produit ou d'un composant dans le cadre de cette garantie. Si le produit ou un composant n'est plus offert, nous le remplacerons par un produit similaire de valeur égale ou supérieure.

Cette garantie ne couvre pas le verre, les filtres, l'usure d'un usage normal, l'utilisation non conforme aux directives imprimées, ou des dommages au produit résultant d'un accident, modification, utilisation abusive ou incorrecte. Cette garantie s'applique seulement à l'acheteur original ou à la personne l'ayant reçu en cadeau. La présentation du reçu de vente d'origine comme preuve d'achat est nécessaire pour faire une réclamation au titre de cette garantie. Cette garantie s'annule si le produit est utilisé autrement que par une famille ou si l'appareil est soumis à toute tension ou forme d'onde différente des caractéristiques nominales précisées sur l'étiquette (par ex. : 120 V ~ 60 Hz).

Nous excluons toutes les réclamations au titre de cette garantie pour les dommages spéciaux, consécutifs et indirects causés par la violation de garantie expresse ou implicite. Toute responsabilité est limitée au prix d'achat. **Chaque garantie implicite, y compris toute garantie ou condition de qualité marchande ou d'adéquation à un usage particulier, est exonérée, sauf dans la mesure interdite par la loi, auquel cas la garantie ou condition est limitée à la durée de cette garantie écrite.** Cette garantie vous donne des droits légaux précis. Vous pouvez avoir d'autres droits qui varient selon l'endroit où vous habitez. Certaines provinces ne permettent pas les limitations sur les garanties implicites ou les dommages spéciaux ou indirects de telle sorte que les limitations ci-dessus ne s'appliquent peut-être pas à votre cas.

Ne pas retourner cet appareil au magasin lors d'une réclamation au titre de cette garantie. Téléphoner au 1.800.851.8900 aux É.-U. ou au 1.800.267.2826 au Canada ou visiter le site internet www.hamiltonbeach.com aux É.-U. ou www.hamiltonbeach.ca au Canada. Pour un service plus rapide, trouvez le numéro de modèle, le type d'appareil et les numéros de série sur votre appareil.

SALVAGUARDIAS IMPORTANTES

Cuando utilice artefactos eléctricos, siempre deben seguirse precauciones de seguridad básicas a fin de reducir el riesgo de incendio, descarga eléctrica, y/o lesiones a personas, incluyendo las siguientes:

1. Lea todas las instrucciones.
2. Este aparato no se destina para utilizarse por personas (incluyendo niños) cuyas capacidades físicas, sensoriales o mentales sean diferentes o estén reducidas, o carezcan de experiencia o conocimiento, a menos que dichas personas reciban una supervisión o capacitación para el funcionamiento del aparato por una persona responsable de su seguridad.
3. Se requiere de una estrecha supervisión cuando el aparato se use cerca de niños. Los niños deben supervisarse para asegurar que ellos no empleen los aparatos como juguete.
4. Verifique que el voltaje de su instalación corresponda con el del producto.
5. No toque superficies calientes. Use los mangos o las perillas.
6. Para protegerse contra el riesgo de choque eléctrico, no sumerja el cordón, el enchufe ni la base en agua ni en ningún otro líquido.
7. Desenchúfelo del tomacorriente cuando no lo esté usando y antes de la limpieza. Deje que se enfríe antes de colocar o sacar alguna pieza.
8. No opere ningún aparato eléctrico si el cordón o el enchufe están averiados, después de un mal funcionamiento del aparato, o si éste se ha caído o averiado de alguna forma. Llame a nuestro número gratuito de servicio al cliente para información sobre examinación, reparación o ajuste.
9. El uso de accesorios no recomendados por el fabricante de electrodomésticos puede causar lesiones.
10. No lo use al aire libre.
11. No deje que el cordón cuelgue sobre el borde de una mesa o de un mostrador, o que toque alguna superficie caliente, incluyendo la superficie de una estufa.
12. No coloque el aparato sobre o cerca de una fuente de gas caliente o de un quemador eléctrico, ni dentro de un horno caliente.
13. Es importante tener extremo cuidado cuando se mueva un aparato electrodoméstico que contenga aceite caliente u otros líquidos calientes.
14. Para desconectar la olla eléctrica de cocimiento lento, coloque la perilla en la posición OFF (O/apagado); saque el enchufe del tomacorriente.
15. **PRECAUCIÓN:** Para evitar daños o peligros de choque eléctrico no cocine sobre la base. Cocine solamente dentro del revestimiento desmontable.
16. Evite cambios repentinos de temperatura, como la adición de alimentos refrigerados en una el recipiente caliente.
17. No use el aparato electrodoméstico para ningún otro fin que no sea el indicado.
18. Siempre enchufe la unidad a un tomacorriente protegido por un interruptor de circuito o un fusible con clasificación de 20 A o menor.

¡GUARDE ESTAS INSTRUCCIONES!

Información Adicional de Seguridad

Este aparato ha sido diseñado solamente para uso doméstico.

Este producto ha sido diseñado solamente para la preparación, cocción y servido de alimentos. No está diseñado para usarse con materiales que no sean alimentos ni con productos no alimenticios.

⚠ ADVERTENCIA Peligro de Descarga Eléctrica: Este producto es provisto con un enchufe con conexión a tierra (3 clavijas) para reducir el riesgo de una descarga eléctrica. El enchufe calza únicamente en una dirección dentro de un tomacorriente con conexión a tierra. No elimine el propósito de seguridad del enchufe modificando el enchufe de ninguna manera o usando un adaptador. Si el enchufe no entra en la toma, haga que un electricista reemplace la toma.

La longitud del cable usado para este aparato fue seleccionado para reducir los riesgos de enredarse o tropezarse con un cable más largo. Si se necesita un cable más largo se puede usar una extensión aprobada. La clasificación eléctrica de la cable extensión debe ser igual o mayor que la clasificación del aparato. El cable de extensión debe ser del tipo de conexión a tierra con 3 cables. Es importante tener cuidado de colocar el cable de extensión para que no se pliegue sobre el mostrador o la mesera en donde niños puedan tirar del mismo o tropezarse accidentalmente.

TAPA Y OLLA: PRECAUCIONES E INFORMACIÓN

- Por favor maneje la olla y tapa cuidadosamente para asegurarles una vida larga.
- Evite cambios repentinos y extremos de temperatura. Por ejemplo, no coloque una tapa u olla caliente en agua fría o sobre una superficie húmeda.
- Evite golpear al olla y tapa contra el fregadero u otra superficie dura.
- No use la olla o tapa si está astillada, quebrada o severamente tallada.
- No use limpiadores abrasivos o estropajos de metal.
- La parte inferior de la olla es muy áspera y puede dañar una cubeirta. Tenga precaución.
- La olla y tapa pueden volverse muy calientes. Tenga precaución. No los ponga directamente sobre ninguna superficie o cubierta desprotegida.
- La olla puede usarse en microondas y es a prueba de hornos, pero nunca caliente la olla cuando esté vacía. Nunca coloque la tapa o la olla sobre un quemador o estufa. No coloque la tapa en un horno de microondas, horno convencional o sobre la estufa.

REMUEVA LA TAPA Y OLLA

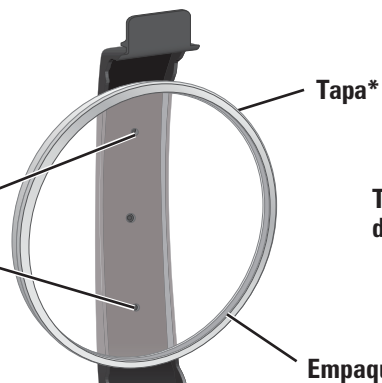
Los lados de la base de la olla de cocimiento lento se ponen muy calientes debido a los elementos caloríficos localizados en ella. Use las manijas en la base si es necesario. Use guantes para remover la olla.

Partes y Características

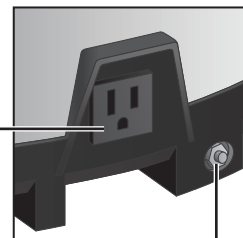
*Para ordenar partes:
EE. UU.: 1.800.851.8900
www.hamiltonbeach.com
México: 01 800 71 16 100

Orificios de Ventilación de Vapor

(NOTA: La tapa PUEDE estar trabada durante la cocción)



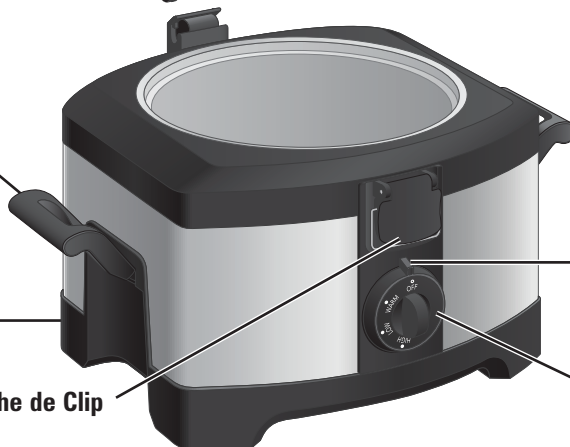
Tomacorriente de Conveniencia



Manijas Doblables de Base

Base

Broche de Clip



Olla*



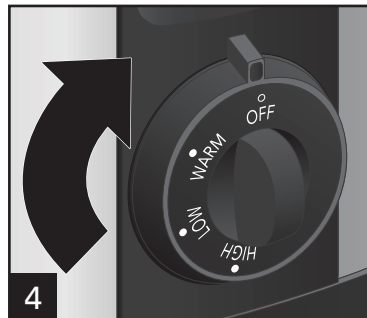
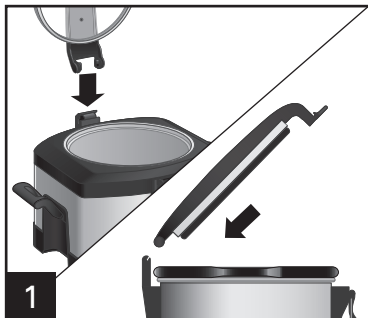
Capacidad de Olla

Para mejores resultados, llene la olla al menos a la mitad pero no más de una pulgada del borde. Si sólo está llena a la mitad, revise si terminó 1 a 2 horas más temprano de lo que señala la receta.

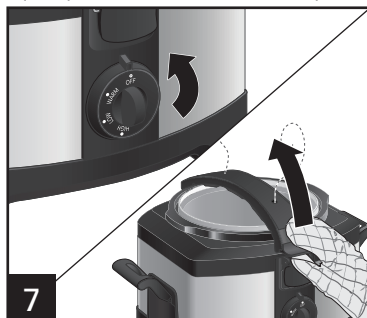
Cómo Usar Su Olla de Cocción

ANTES DE USAR POR PRIMERA VEZ: Lave la tapa y olla en agua caliente jabonosa. Enjuague y seque.

⚠ ADVERTENCIA Peligro de Seguridad de Comida. La comida de estar lo suficientemente caliente para prevenir el crecimiento de bacterias antes de usar el ajuste de WARM (caliente). El ajuste de WARM (caliente) debe ser usado solamente después de que una receta ha sido cocinada completamente. No recaliente la comida en el ajuste WARM (caliente). Si la comida ha sido cocinada y luego refrigerada, recaliente en LOW (bajo) o HIGH (alto), luego cambie a WARM (caliente). Visite foodsafety.gov para más información.



El wattaje ha sido ajustado para compensar la pérdida de calor a través de los hoyos de ventilación. Gire la perilla de control a **LOW** (bajo) o **HIGH** (alto). No cocine en **WARM** (caliente).



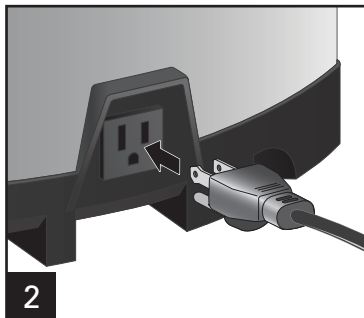
La tapa debe estar nivelada sobre la olla para lograr una cocción pareja y para evitar la pérdida de calor. La tapa PUEDE estar trabada durante el proceso de cocción.

Cuando termine, **APÁGUELO (OFF/O)**. **⚠ PRECAUCIÓN Peligro de quemaduras:** El vapor que sale está muy caliente. Use guantes para levantar la tapa. Fije la traba de gancho para transportarla.

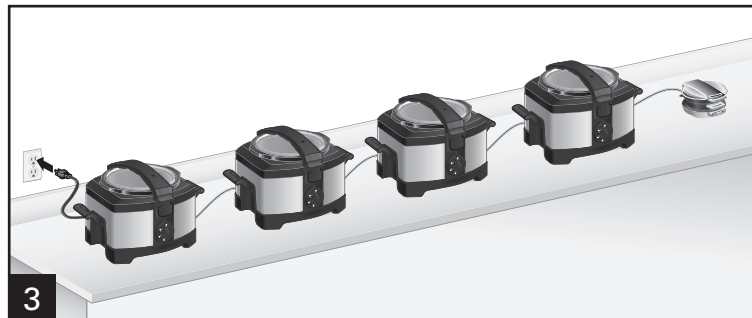
Cómo Conectar Su Olla de Cocción Lenta



Enchufe su olla de cocción lenta.



Enchufe otra olla de cocción lenta en el tomacorriente de conveniencia.



Conecte hasta 1200 vatios en total. Por ejemplo, conecte cuatro ollas de cocción lenta y una máquina simple para preparar sándwiches de desayuno. Para otras ideas, ver la tabla "Uso del Tomacorriente de Conveniencia" en la página 43.

Uso del Tomacorriente de Conveniencia

Cantidad de Ollas de Cocción Lenta Conectables de 4 Cuartos en Uso* **Vataje Disponible para Tomacorriente de Conveniencia** **Elija Uno de los Sigüientes Artefactos Sugeridos para la Conexión del Tomacorriente de Conveniencia***

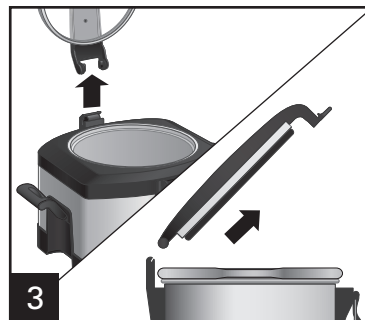
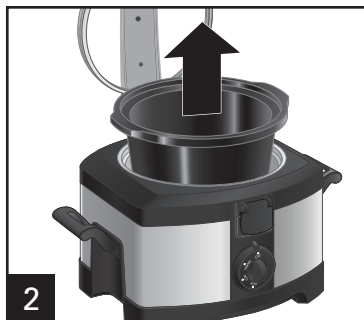
*El vataje de los artefactos cambia. Verifique la clasificación de vataje de su artefacto antes de enchufarlo en el tomacorriente de conveniencia.

1	+	1200 vatios	Cafetera para 40 tazas, cafetera espresso, horno tostador de 4 rebanadas, máquina para preparar pizzas, prensa para panini
2	+	1020 vatios	Máquina para hacer rosetas de maíz, cafetera para 12 tazas, quemador de mesa quinto quemador
3	+	840 vatios	Extractor de Jugo Big Mouth™, wafflera giratoria estilo belga
4	+	660 vatios	Licuada, procesadora de alimentos, batidora de pie, máquina simple para preparar sándwiches de desayuno, arrocera, wafflera, bandeja calentadora
5	+	480 vatios	Salad Xpress, máquina para cocer huevos, máquina personal para preparar café helado o té helado
6	+	300 vatios	Batidora de mano, picadora de alimentos
7	+	120 vatios	Cuchillo eléctrico, máquina para preparar helados de 4 cuartos, abrelatas eléctrico

NOTA: El vataje total es de 1200 cuando se conectan los artefactos. Si se conectan más de 1200 vatios de una vez, uno de los artefactos conectados podría activar el interruptor de circuito y desconectar la energía de todos los artefactos conectados, no sólo de uno. Las LUCES DE ENERGÍA se apagarán. Si el vataje es superior a 1200, desenchufe uno de los artefactos para reducir el vataje y presione el botón de reconfiguración de cada olla de cocción lenta.

Limpieza y Cuidado

⚠ ADVERTENCIA Peligro de Descarga Eléctrica.
Desconecte la energía antes de limpiar. No sumerja el cable, enchufe o base en ningún líquido.



⚠ PRECAUCIÓN Peligro de quemaduras: Uso guantes para remover la olla y deje enfriar.



RESISTENTE AL LAVAVAJILLAS

Para evitar los aromas persistentes a comida, algo común en la mayoría de los recipientes plásticos, lave la junta de goma de la tapa con agua caliente jabonosa después de cada uso. Almacene con la tapa entreabierta.

No utilice la configuración "SANI" cuando la lave en el lavavajillas. Las temperaturas del ciclo "SANI" pueden dañar su producto. La tapa y la olla pueden lavarse en agua caliente jabonosa.

Concejos para Cocinar Lento

- La olla debe estar por lo menos llenada a la mitad para mejores resultados. Si sólo está llena a la mitad, revise si terminó 1 a 2 horas más temprano de lo que señala la receta.
- No se requiere menear cuando se cocina lento y remover la tapa de vidrio resulta en una gran pérdida de calor y puede necesitar que se extienda el tiempo de cocinado.
- Muchas recetas requieren cocerse todo el día. Si su programa matutino no le deja tiempo para preparar una receta, hágalo la noche anterior. Coloque todos los ingredientes en la olla, cubra con la tapa y refrigere durante la noche. En la mañana, coloque la olla en la base.
- Algunos alimentos no se adaptan a un cocimiento extendido en una olla de cocimiento lento. La pasta, mariscos, leche, crema o crema agria deben de agregarse 2 horas antes de servirse. La leche evaporada o sopas condensadas son perfectas para el cocimiento lento.
- Entre más contenido de grasa tenga la carne, menos líquido necesita. Si cocina carne con alto contenido de grasa, coloque rebanadas gruesas de cebolla debajo de la carne de manera que la carne no se asiente (y cocine) en la grasa.
- Las ollas de cocimiento lento permiten muy poca evaporación. Si hace su sopa, guisado o salsa favorita, reduzca el líquido indicado en la receta original. Si está muy espeso, se puede agregar líquido posteriormente.
- Si cocina una cacerola de tipo vegetal, necesita haber líquido en el recipiente para prevenir que se quemen los lados de la olla.
- Si va a realizar una receta con vegetales de raíz, colóquelos en la parte inferior de la olla.

Consejos de Seguridad de Alimentos

- No use carne congelada sin cocinar en la olla de cocción lenta. Descongele todas las carnes vacunas y de aves antes de iniciar la cocción lenta.
- Para obtener más información sobre temperaturas seguras de cocción interna, visite www.foodsafety.gov.
- Para almacenar sobras después de la cocción, NO coloque toda la olla en el refrigerador porque los alimentos tardarán demasiado en enfriarse. Divida las sobras en recipientes más pequeños y colóquelos en el refrigerador.
- Nunca permita que carne cruda o poco cocida quede a temperatura ambiente dentro de la olla de cocción lenta. Una vez que la carne se coloca en la olla, ésta debe cocinarse de inmediato (a menos que se prepare la olla de cocción lenta la noche anterior, en cuyo caso la olla debe colocarse en el refrigerador).

SI USTED VIVE EN UNA ÁREA DE ALTITUD ELEVADA:

El servicio de extensión tendrá información detallada sobre cocción en su área. Para ubicar el servicio de extensión cooperativa en su condado, tenga a bien visitar la siguiente página:
<http://www.csrees.usda.gov/Extension/>.

Ideas para Recibir Invitados

Reunión para Partido Importante

Organice un buffet para su próxima reunión para ver un evento deportivo. Las ollas conectables son excelentes para reuniones en las que se sirven alimentos de ollas de cocción lenta múltiples. El chile, los sloppy joes, el dip de queso y las alitas son candidatos perfectos para llenar las ollas. Estas son algunas de nuestras recetas favoritas para fans deportivos:

Mini Hamburguesas de Pollo Buffalo

Ingredientes:

3/4 taza (177 ml) de salsa picante	3 libras (1.4 kg) de pechugas de pollo deshuesadas y sin piel.
3 cucharadas (44 ml) de mantequilla en rebanadas	Mini pancitos para hamburguesa abiertos
1 cucharadita (5 ml) de sal	Coleslaw de Queso Azul
1/2 cucharadita (2.5 ml) de pimienta	1/2 taza (118 ml) de mayonesa
	4 cucharaditas (20 ml) de salsa picante

Instrucciones:

1. Mezcle 3/4 taza (177 ml) de salsa picante, la mantequilla, la sal y la pimienta en la olla de cocción lenta.
2. Cubra y cocine en HIGH (alta) por 10 minutos o hasta que la mantequilla se derrita; mezcle hasta combinar bien.
3. Agregue las pechugas de pollo, girándolas para recubrir bien con la mezcla de la salsa picante.
4. Cubra el recipiente y cocine en HIGH (alta) por 1 1/2 a 2 horas o en LOW (baja) durante 3 a 4 horas o hasta que el pollo esté tierno al pincharlo con un tenedor.
5. Quite el pollo de la olla; reserve de líquido. Desmenuce el pollo y vuelva a colocarlo en la olla con el líquido reservado.
6. Mezcle la mayonesa y 4 cucharaditas (20 ml) de salsa picante hasta que quede bien homogéneo.
7. Unte la mezcla de mayonesa en la base de los panes y coloque por encima la mezcla de pollo y coleslaw.

Rendimiento: 6–8

Reunión para Partido Importante (cont.)

Cole Slaw de Queso Azul

Ingredientes:

- 3/4 taza (177 ml) de mayonesa
- 2 cucharadas (30 ml) de vinagre de sidra
- 1 cucharada (15 ml) de azúcar
- 1 cucharadita (5 ml) de sal
- 1/2 cucharadita (2.5 ml) de semillas de apio
- 1/4 de cucharadita (1.3 ml) de pimienta
- 1 cabeza pequeña de col verde o rojo rallado (alrededor de 5 tazas [1.2 L])
- 1 recipiente (8 oz. [227 g]) de queso azul desmenuzado

Instrucciones:

1. Mezcle bien la mayonesa, el vinagre, el azúcar, la sal, las semillas de apio y la pimienta en un tazón grande.
2. Agregue el col y el queso azul, mezclando hasta que el col quede bien cubierto.
3. Cubra y refrigere por varias horas o durante la noche.

Rendimiento: 10–12

Dip de Pizza de Nueva York

Ingredientes:

- 2 paquetes (8 oz. [227 g] cada uno) de queso crema ablandado
 - 1 recipiente (15 oz. [425 g]) de queso ricotta
 - 1 pepperoni (8 oz. [227 g]) picado
 - 1/4 taza (59 ml) de queso Parmesano rallado
 - 2 dientes de ajo picados
 - 1 cucharadita (5 ml) de aderezo italiano
 - 1 2/3 tazas (394 ml) de salsa para spaghetti
 - 1 taza (237 ml) de queso mozzarella rallado
- Aderezo italiano

Instrucciones:

1. Coloque el queso crema, el queso ricotta, el pepperoni, el queso parmesano, el ajo y 1 cucharadita (5 ml) de aderezo italiano en la olla de cocción lenta. Revuelva hasta mezclar bien.
2. Coloque por encima salsa para spaghetti, queso mozzarella y una pizca de aderezo italiano.
3. Cubra y cocine en HIGH (alta) por 1 hora o en LOW (baja) por 2 horas hasta que la mezcla burbujee. Sirva con papitas de bagel o galletas.

Rendimiento: 6–8

Fiesta en el Jardín Trasero

Las ollas conectables son fantásticas para recibir invitados al aire libre. La mayoría de los hogares cuentan con un solo tomacorriente exterior, pero usted puede enchufar hasta siete ollas conectables a través de los tomacorrientes de conveniencia. O, enchufe una licuadora pequeña para preparar bebidas congeladas y así refrescar a sus amigos. Pruebe estas recetas para recibir invitados cómodamente al aire libre:

Sloppy Joes de Carne Desmenuzada en la Olla de Cocción Lenta

Ingredientes:

- 3 1/2 lbs (1.6 kg) de carne vacuna de cuarto delantero sin hueso
- 1 taza (237 ml) de cebolla picada
- 1 cucharadita (5 ml) de ajo fresco picado
- 1 1/4 tazas (296 ml) de ketchup
- 1/3 taza (79 ml) de mostaza de Dijon
- 1/4 taza (59 ml) de salsa de soya
- 3 cucharadas (44 ml) de salsa Worcestershire
- 3 cucharadas (44 ml) de azúcar moreno
- Panes para sándwiches

Instrucciones:

1. Corte la carne en trozos de 4 pulgadas (10.2 cm). Coloque los trozos en la olla de cocción lenta.
2. En un tazón mediano, mezcle los ingredientes restantes salvo los panes para sándwiches y vierta sobre la carne. Mezcle bien para cubrir por completo los trozos de carne.
3. Cubra la olla de cocción lenta y cocine en HIGH (alta) por 4 a 5 horas o en LOW (baja) durante 7 a 8 horas.
4. Quite la carne y desmenúcela. Elimine la grasa.
5. Sirva la carne sobre los panes para sándwiches y coloque salsa extra a gusto con una cuchara.

Rendimiento: 12-14

Frijoles Cocidos en la Olla de Cocción Lenta

Ingredientes:

- 4 latas (28 oz. [794 g] cada una) de frijoles pintos escurridos
- 1 cebolla grande picada
- 2 tazas (473 ml) de ketchup
- 1 taza (237 ml) de azúcar moreno
- 2 cucharadas (30 ml) de mostaza molida
- 1 cucharadita (5 ml) de sal
- 1/2 cucharadita (2.5 ml) de pimienta negra molida

Instrucciones:

1. Mezcle bien los frijoles, la cebolla, el ketchup, el azúcar moreno, la mostaza molida, la sal y la pimienta en la olla de cocción lenta.
2. Cubra y cocine en HIGH (alta) por 4 a 5 horas o en LOW (baja) durante 8 a 9 horas.

Rendimiento: 12-14

Fiesta Estilo Potluck

A nadie le gusta que la comida que llevamos a una cena se derrame en el auto. Las ollas conectables cuentan con un gancho para sellar la tapa para un transporte sencillo. Baje las manijas para hacer más espacio en la mesa o ahorre espacio colocando ollas conectables una al lado de la otra. Aquí hay dos recetas para complacer a los invitados:

Alitas de Pollo Estilo Coreano en Olla en Cocción Lenta

Ingredientes:

- 3 cucharadas (44 ml) de almidón de maíz
- 2 cucharadas (30 ml) de jugo de lima
- 3/4 taza (177 ml) de miel
- 1/2 taza (118 ml) de salsa de soya
- 1/3 taza (79 ml) de salsa sriracha
- 1 cucharada (15 ml) de aceite de sésamo
- 1 cucharada (15 ml) de jengibre rallado
- 4 dientes de ajo picados
- 4 libras (1.8 kg) de alitas de pollo, con las juntas partidas y sin puntas
- 1/4 taza (59 ml) de cebolla verde picada
- 1 a 2 cucharadas (15 a 30 ml) de semillas de sésamo tostadas

Instrucciones:

1. En la olla de cocción lenta mezcle el almidón de maíz y el jugo de lima hasta disolver el almidón.
2. Agregue la miel, la salsa de soya, la salsa sriracha, el aceite de sésamo y el ajo. Revuelva hasta que quede bien mezclado.
3. Agregue las alitas a la olla. Mezcle hasta que las alitas queden recubiertas con la mezcla de miel.
4. Cubra el recipiente y cocine en HIGH (alta) durante 2 horas o en LOW (baja) por 4 horas.
5. Recubra una bandeja para hornear con papel de aluminio y rocíe con aerosol de cocción antiadherente.
6. Quite las alitas de la salsa y colóquelas en la bandeja recubierta con papel de aluminio.
7. Vierta la salsa en una sartén pequeña. Cocine a fuego medio hasta que la salsa se reduzca y espese.
8. Caliente el asador en HIGH (alta).
9. Ase las alitas de 18 a 20 minutos, girándolas y pintándolas con salsa, hasta que las alitas estén doradas y crocantes.
10. Por encima, vierta las cebollas verdes y las semillas de sésamo antes de servir. Sirva con más salsa, si así lo desea.

Rendimiento: 12-14

Fiesta Estilo Potluck (cont.)

Dip de Espinaca y Alcachofa en Olla de Cocción Lenta

Ingredientes:

- 1 paquete (24 oz. [680 g]) de espinaca congelada picada, descongelada y exprimida
- 1 lata (14 oz. [397 g]) de corazones de alcachofa escurridos y picados
- 1 1/2 tazas (355 ml) de queso mozzarella rallado
- 1 paquete (8 oz. [227 g]) de queso crema ablandado
- 1/2 taza (118 ml) de queso Parmesano rallado
- 1/4 taza (59 ml) de mayonesa
- 2 dientes de ajo picado
- 1 taza (237 ml) de crema agria
- Sal y pimienta a gusto
- Galletas variadas

Instrucciones:

1. Rocíe la olla de cocción lenta con aerosol para cocción antiadherente.
2. Mezcle todos los ingredientes, con excepción de la crema agria.
3. Cocine en LOW (baja) durante 2 a 3 horas, mezclando después de 1 hora.
4. Incorpore la crema agria y cocine 1/2 hora más en LOW (baja).
5. Sirva con galletas variadas.

Rendimiento: 18–20

Cumpleaños, Showers o Meriendas

Cuando la fiesta es un poco más formal, todos quieren dar una buena impresión. Las ollas conectables ofrecen una apariencia uniforme a la mesa de buffet y el servicio resulta más sencillo y libre de salpicaduras para sus invitados. La tapa con bisagra se mantiene abierta para el servicio y se quita fácilmente para la limpieza. Pruebe estas recetas deliciosas:

Fondue de Chocolate en Olla de Cocción Lenta

Ingredientes:

8 onzas (227 g) de chocolate semi dulce cortado en trozos

8 onzas (227 g) de chocolate amargo cortado en trozos

6 onzas (170 g) de chocolate blanco cortado en trozos

1 lata (14 oz. [414 ml]) de leche condensada endulzada

1 1/2 taza (355 ml) de leche entera

1/4 taza (59 ml) de licor con sabor a café o almendra

Alimentos sugeridos para colocar en la fondue: Fresas, trozos de piña, trozos de banana, pastel angel food o de libra en cubos, pretzels, malvaviscos y macarrones de coco y otras galletas.

Instrucciones:

1. Coloque los chocolates, la leche condensada endulzada, la leche y el licor en la olla de cocción lenta hasta que queden bien mezclados.
2. Cubra y cocine en HIGH (alta) por 45 minutos. Utilice un batidor de alambre para mezclar bien.
3. Reduzca la temperatura de la olla de cocción lenta a LOW (baja). Sirva de inmediato o mantenga caliente.

Rendimiento: 16-18

Cumpleaños, Showers o Meriendas (cont.)

Wraps de Pollo Asiáticos

Ingredients:

POLLO:

- 1/3 taza (79 ml) de salsa de soya
- 1/4 taza (59 ml) de salsa sriracha
- 2 cucharadas (30 ml) de vinagre de arroz
- 2 cucharaditas (10 ml) de ajo fresco picado
- 1 cucharadita (5 ml) de jengibre fresco rallado
- 4 libras (1.8 kg) de trozos de pollo cortados con hueso

SALSA DE MANÍ:

- 1/2 taza (118 ml) de mantequilla de maní con trozos
- 1/4 taza (59 ml) de salsa de soya baja en sodio
- 2 cucharadas (30 ml) de cebolla verde en rebanadas
- 2 cucharadas (30 ml) de agua caliente
- 1 cucharada (15 ml) de azúcar
- 2 cucharaditas (10 ml) de jugo de lima
- 2 cucharaditas (10 ml) de vinagre de arroz
- 1/8 de cucharadita (0.6 ml) de pimienta roja deshidratada en escamas
- 1/8 de (0.6 ml) cucharadita de jengibre rallado
- 1/8 de (0.6 ml) cucharadita de ajo picado

WRAPS:

- 2 tazas (473 ml) de mezcla de coleslaw ya rallada
- 1/4 taza (59 ml) de cilantro picado
- 1/4 taza (59 ml) de cebolla verde en rebanadas
- Tortillas

Instrucciones:

1. Para el pollo, mezcle la salsa de soya, la salsa sriracha, el vinagre de arroz, el ajo y el jengibre.
2. Coloque el pollo y la salsa en capas dentro de la olla. Cubra el recipiente y cocine en HIGH (alta) durante 3 a 4 horas o en LOW (baja) por 5 a 6 horas.
3. Quite el pollo. Reserve la salsa.
4. Desmenuce el pollo y mezcle con la salsa reservada para humedecerlo.
5. Para la salsa de maní, mezcle los ingredientes de la salsa en un tazón pequeño. Revuelva hasta que quede bien mezclado.
6. Para preparar los wraps, coloque el coleslaw rallado con el cilantro y la cebolla verde en un tazón grande.
7. Coloque la mezcla de pollo sobre una tortilla; ponga por encima la salsa de maní y la mezcla de coleslaw. ¡Enrolle y disfrute!

Rendimiento: 8

Resolviendo Problemas

PROBLEM

PROBABLE CAUSE/SOLUCIÓN

A la comida le falta cocer.

- ¿Se cocinó la comida en el ajuste de WARM (caliente)? No cocine en WARM (caliente); siempre cocine en los ajustes de calor HIGH (alto) o LOW (bajo).
- ¿Se interrumpió la corriente?
- ¿Seleccionó el ajuste de calor LOW (bajo), pero uso el tiempo de cocción basado en el ajuste de calor HIGH (alto)?
- ¿Colocó la tapa correctamente en la olla?

La comida no se coció después de la cantidad de tiempo recomendada por mi receta.

- Esto se puede deber a las variaciones de voltaje (que es común en todos lados) o la altitud. Las ligeras fluctuaciones en la corriente no tienen efectos notables en la mayoría de los aparatos. Sin embargo, puede alterar los tiempos de cocción en una olla de cocimiento lento al extender los tiempos de cocción. De un tiempo suficiente y seleccione el ajuste de calor adecuado. Aprenderá con la experiencia si se requiere de un tiempo menor o mayor.

Mi comida se coció de más.

- ¿Estaba al menos medio llena la olla? La olla de cocimiento lento ha sido diseñada para cocer completamente el alimento con una olla llena. Si la olla está sólo llena a la mitad, revise que esté lista 1a 2 horas más temprano de lo que señala la receta.
- ¿Seleccionó el número correcto de horas basado en la temperatura de cocción (Bajo o Alto)?
- Los alimentos continuarán incrementando la temperatura después que la temperatura deseada se ha alcanzado.

Se activó el interruptor de circuito.

- El vataje era muy elevado en uno de los artefactos conectados. Desenchufe los artefactos y presione el botón de reconfiguración ubicado en la parte trasera de la olla de cocción lenta.

Notas



Grupo HB PS, S.A. de C.V.
Monte Elbruz 124-301
Colonia Palmitas, Delegación Miguel Hidalgo
C.P. 11560, México, Distrito Federal
01 800 71 16 100

PÓLIZA DE GARANTÍA

PRODUCTO:

MARCA:

MODELO:

Grupo HB PS, S.A. de C.V. cuenta con una Red de Centros de Servicio Autorizada, por favor consulte en la lista anexa el nombre y dirección de los establecimientos en la República Mexicana en donde usted podrá hacer efectiva la garantía, obtener partes, componentes, consumibles y accesorios; así como también obtener servicio para productos fuera de garantía. Para mayor información llame sin costo: **Centro de Atención al consumidor: 01 800 71 16 100**

Grupo HB PS, S.A. de C.V. le otorga a partir de la fecha de compra:
GARANTÍA DE 1 AÑO.

COBERTURA

- Esta garantía ampara, todas las piezas y componentes del producto que resulten con defecto de fabricación incluyendo la mano de obra.
- Grupo HB PS, S.A. de C.V. se obliga a reemplazar, reparar o reponer, cualquier pieza o componente defectuoso; proporcionar la mano de obra necesaria para su diagnóstico y reparación, todo lo anterior sin costo adicional para el consumidor.
- Esta garantía incluye los gastos de transportación del producto que deriven de su cumplimiento dentro de su red de servicio.

LIMITACIONES

- Esta garantía no ampara el reemplazo de piezas deterioradas por uso o por desgaste normal, como son: cuchillas, vasos, jarras, filtros, etc.
- Grupo HB PS, S.A. de C.V. no se hace responsable por los accidentes producidos a consecuencia de una instalación eléctrica defectuosa, ausencia de toma de tierra, clavija de enchufe en mal estado, etc.

EXCEPCIONES

Esta garantía no será efectiva en los siguientes casos:

- a) Cuando el producto se hubiese utilizado en condiciones distintas a las normales. (Uso industrial, semi-industrial o comercial.)
- b) Cuando el producto no hubiese sido operado de acuerdo con el instructivo de uso.
- c) Cuando el producto hubiese sido alterado o reparado por personas no autorizadas por Grupo HB PS, S.A. de C.V. el fabricante nacional, importador o comercializador responsable respectivo.

El consumidor puede solicitar que se haga efectiva la garantía ante la propia casa comercial donde adquirió su producto, siempre y cuando Grupo HB PS, S.A. de C.V. no cuente con talleres de servicio.

PROCEDIMIENTO PARA HACER EFECTIVA LA GARANTÍA

- Para hacer efectiva la garantía no deben exigirse mayores requisitos que la presentación del producto y la póliza correspondiente, debidamente sellada por el establecimiento que lo vendió.
- Para hacer efectiva la garantía, lleve su aparato al Centro de Servicio Autorizado más cercano a su domicilio (consulte la lista anexa).
- Si no existe Centro de Servicio Autorizado en su localidad llame a nuestro Centro de Atención al Consumidor para recibir instrucciones de como hacer efectiva su garantía.
- El tiempo de reparación, en ningún caso será mayor de 30 días naturales contados a partir de la fecha de recepción del producto en nuestros Centros de Servicio Autorizados.
- En caso de que el producto haya sido reparado o sometido a mantenimiento y el mismo presente deficiencias imputables al autor de la reparación o del mantenimiento dentro de los treinta días naturales posteriores a la entrega del producto al consumidor, éste tendrá derecho a que sea reparado o mantenido de nuevo sin costo alguno. Si el plazo de la garantía es superior a los treinta días naturales, se estará a dicho plazo.
- El tiempo que duren las reparaciones efectuadas al amparo de la garantía no es computable dentro del plazo de la misma. Cuando el bien haya sido reparado se iniciará la garantía respecto de las piezas repuestas y continuará con relación al resto. En el caso de reposición del bien deberá renovarse el plazo de la garantía.

FECHA DE ENTREGA	SELLO DEL VENDEDOR	QUEJAS Y SUGERENCIAS
DÍA__ MES__ AÑO__		Si desea hacer comentarios o sugerencias con respecto a nuestro servicio o tiene alguna queja derivada de la atención recibida en alguno de nuestros Centros de Servicio Autorizados, por favor dirigirse a: GERENCIA INTERNACIONAL DE SERVICIO 01 800 71 16 100 Email: mexico.service@hamiltonbeach.com.mx

RED DE CENTROS DE SERVICIO AUTORIZADA GRUPO HB PS, S.A. DE C.V.

Distrito Federal

ELECTRODOMÉSTICOS

Av. Plutarco Elias Calles No. 1499
 Zacahuiztco MEXICO 09490 D.F.
 Tel: 01 55 5235 2323 • Fax: 01 55 5243 1397

CASA GARCIA

Av. Patriotismo No. 875-B
 Mixcoac MEXICO 03910 D.F.
 Tel: 01 55 5563 8723 • Fax: 01 55 5615 1856

Nuevo Leon

FERNANDO SEPULVEDA REFACCIONES

Ruperto Martínez No. 238 Ote.
 Centro MONTERREY, 64000 N.L.
 Tel: 01 81 8343 6700 • Fax: 01 81 8344 0486

Jalisco

SERVICIOS DE MANTENIMIENTO CASTILLO

Garibaldi No. 1450
 Ladrón de Guevara
 GUADALAJARA 44660 Jal.
 Tel: 01 33 3825 3480 • Fax: 01 33 3826 1914

Chihuahua

DISTRIBUIDORA TURMIX

Av. Paseo Triunfo de la Rep. No. 5289 Local 2 A.
 Int. Hipermart
 Alamos de San Lorenzo
 CD. JUAREZ 32340 Chih.
 Tel: 01 656 617 8030 • Fax: 01 656 617 8030

Modelos:
33540, 33540A

Tipo:
SC48

Características Eléctricas:
120 V ~ 60 Hz 180 W + Max Outlet Output 1200 W

Los modelos incluídos en el instructivo de Uso y Cuidado pueden ir seguidos o no por un sufijo correspondiente a una o varias letras del alfabeto y sus combinaciones, separadas o no por un espacio, coma, diagonal, o guión. Como ejemplos los sufijos pueden ser: "Y" y/o "MX" y/o "MXY" y/o "Z".