

**READ BEFORE USE
LIRE AVANT UTILISATION
LEA ANTES DE USAR**

Visit www.hamiltonbeach.com for our complete line of products and Use and Care Guides – as well as delicious recipes, tips, and to register your product online!

Rendez-vous sur www.hamiltonbeach.ca pour notre liste complète de produits et de nos manuels utilisateur – ainsi que nos délicieuses recettes et nos conseils !

¡Visite www.hamiltonbeach.com (EE. UU.) o www.hamiltonbeach.com.mx (México) para ver otros productos de Hamilton Beach o para contactarnos!

Questions?

Please call us – our friendly associates are ready to help.
USA: 1.800.851.8900

Questions ?

N'hésitez pas à nous appeler – nos associés s'empresseront de vous aider.
CAN : 1.800.267.2826

¿Preguntas?

Por favor llámenos – nuestros amables representantes están listos para ayudar.

EE. UU.: 1.800.851.8900

MEX: 01 800 71 16 100

Le invitamos a leer cuidadosamente este instructivo antes de usar su aparato.

Hamilton Beach®

Stay or Go™ Blender Mélangeur Licuadora



English	2
Français.....	13
Español	25



IMPORTANT SAFEGUARDS

When using electrical appliances, basic safety precautions should always be followed to reduce the risk of fire, electric shock, and/or injury to persons, including the following:

1. Read all instructions.
2. This appliance is not intended for use by persons (including children) with reduced physical, sensory, or mental capabilities, or lack of experience and knowledge, unless they are closely supervised and instructed concerning use of the appliance by a person responsible for their safety.
3. Close supervision is necessary when any appliance is used by or near children. Children should be supervised to ensure that they do not play with the appliance.
4. To protect against risk of electrical shock, do not put cord, plug, base, or motor in water or other liquid.
5. Unplug cord from outlet when not in use, before putting on or taking off parts, and before cleaning.
6. Avoid contact with moving parts.
7. Do not operate any appliance with a damaged cord or plug, or after the appliance malfunctions, or is dropped or damaged in any manner. Call our toll-free customer service number for information on examination, repair, or electrical or mechanical adjustment.
8. The use of attachments, including canning jars, not recommended or sold by the appliance manufacturer may cause a risk of injury to persons.
9. Do not use outdoors.
10. Do not let cord hang over edge of table or counter or touch hot surfaces, including stove.
11. Keep hands and utensils out of blending jar while blending to reduce the risk of severe personal injury and/or damage to blender. A rubber spatula may be used but must be used only when blender is not running.
12. Blades are sharp; handle carefully—especially when assembling, disassembling, or cleaning inside blending jar.
13. Do not use a broken, chipped, or cracked blending jar.
14. Do not use broken, cracked, or loose cutting blade assembly.
15. To reduce the risk of injury, never place cutting blade assembly on base without blending jar or grinding cup properly attached.
16. Always operate blender with lid in place.
17. Do not blend hot liquids in the travel jar or grinding cup.
18. When blending hot liquids in the 32-oz. blending jar, remove center piece of two-piece cover. Hot liquids may push lid off jar during blending. To prevent possible burns: Do not fill blending jar beyond the 3-cup (710-ml) level. With the protection of an oven mitt or thick towel, place one hand on top of lid. Keep exposed skin away from lid. Start blending at lowest speed.
19. Ensure collar on base of blending jar, travel jar, and grinding cup are tight and secure. Injury can result if moving blades accidentally become exposed.
20. If the jar should twist or rotate when the motor is switched ON (I), switch OFF (O) immediately and tighten jar in collar or on blender base.
21. Do not leave blender unattended while it is operating.
22. Before plugging cord into wall outlet, turn the control to OFF (O). To disconnect cord, turn the control to OFF (O). Then remove plug from wall outlet.
23. Do not use appliance for other than intended purpose.
24. Do not place on or near a hot gas or electric burner or in a heated oven.

SAVE THESE INSTRUCTIONS!

Other Consumer Safety Information

This appliance is intended for household use only. Use for food or liquids only.

WARNING! Shock Hazard: This appliance has a polarized plug (one wide blade) that reduces the risk of electric shock. The plug fits only one way into a polarized outlet. Do not defeat the safety purpose of the plug by modifying the plug in any way or by using an adapter. If the plug does not fit fully into the outlet, reverse the plug. If it still does not fit, have an electrician replace the outlet.

The length of the cord used on this appliance was selected to reduce the hazards of becoming tangled in or tripping over a longer cord. If a longer cord is necessary, an approved extension cord may be used. The electrical rating of the extension cord must be equal to or greater than the rating of the appliance. Care must be taken to arrange the extension cord so that it will not drape over the countertop or tabletop where it can be pulled on by children or accidentally tripped over.

If the cutting blade assembly locks and will not move, it will damage the motor. Do not use. Call the toll-free customer service number for information.

Do not place blending jar in the freezer filled with food or liquid. This can result in damage to the cutting blade assembly, jar, blender, and possibly result in personal injury.

Wattage/Peak Power Information

The wattage/ampere rating of the blender is determined by an Underwriters Laboratory test and is based on available cutting blade assembly, jar combinations, and attachments that may not be provided with your unit, but are available as replacement parts. This is a measure of input wattage/amperes after 30 seconds of operation. The blender as provided may draw significantly less power.

Peak power is the measure of the motor wattage during the first seconds of operation. This is when a blender requires the most power to crush ice, frozen fruit, etc. This is a better measure of what a blender motor can consume when power is needed most.

BEFORE FIRST USE: After unpacking blender, wash everything except blender base in hot, soapy water. Dry thoroughly. Wipe blender base with a damp cloth or sponge. **DO NOT IMMERS**E BASE IN WATER. Care should be taken when handling cutting blade assembly as it is very sharp.

Parts and Features

BEFORE FIRST USE: After unpacking the blender, follow the instructions in "Care and Cleaning."

*To order parts:
US: 1.800.851.8900
www.hamiltonbeach.com
Canada: 1.800.267.2826
Mexico: 01 800 71 16 100

*Optional accessory on select models

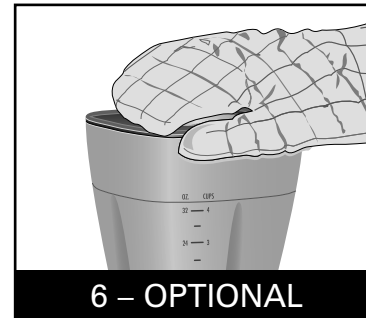
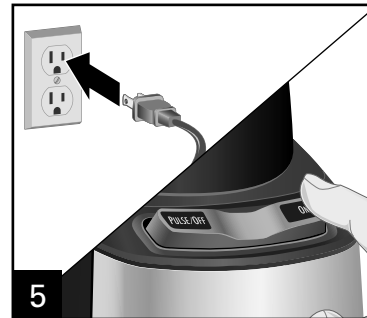
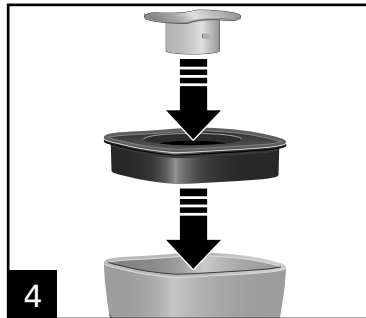
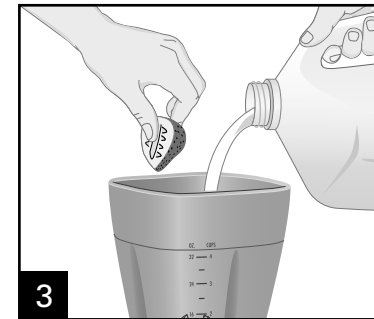
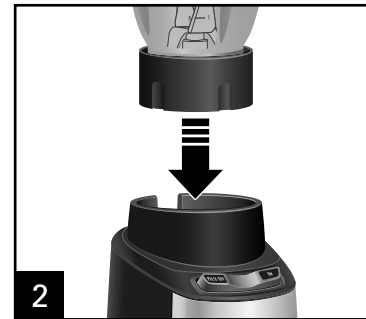
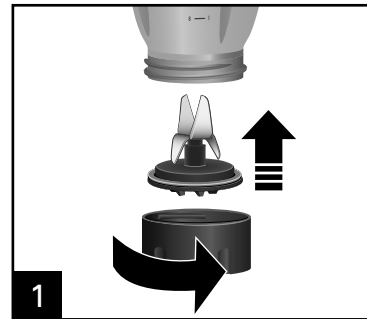


Using Your Blending Jar

IMPORTANT: Your blending jar and cutting blade assembly are subject to wear during normal use. Always inspect jar for nicks, chips, or cracks. Always inspect cutting blade assembly for broken, cracked, or loose blades. If jar or cutting blade assembly is damaged, do not use. Call our toll-free customer service number to obtain replacement parts.

⚠ WARNING Laceration Hazard.

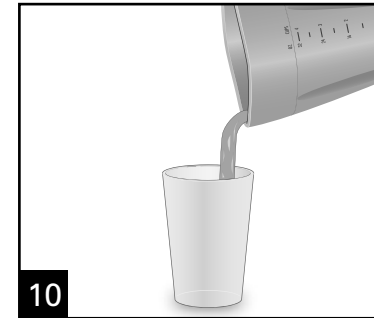
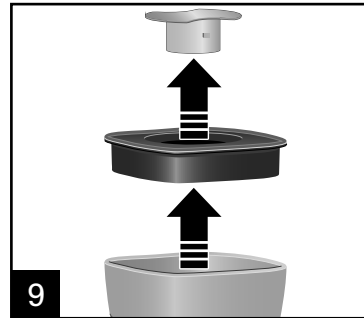
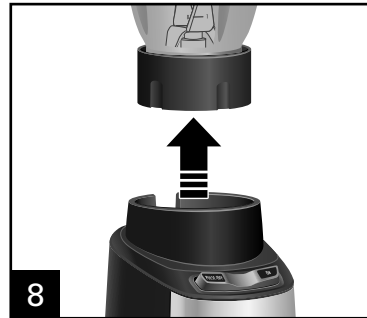
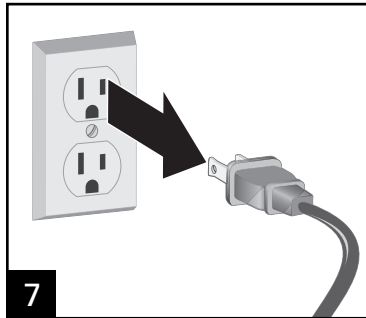
Handle blades carefully; they are very sharp. Make sure unit is turned OFF (O) and is unplugged.



WARNING! Burn Hazard: Do not blend hot liquids in the travel jar or grinding cup. When blending hot liquids, remove filler-cap. Hot liquids may push lid off jar during blending. To prevent possible burns: Do not fill blending jar beyond the 3-cup (710-ml) level. With the protection of an oven mitt or thick towel, place one hand on top of lid. Keep exposed skin away from lid. Start blending at lowest speed.

Push the desired speed button. When using the **PULSE** button, the blender will only run when the button is held down.

Using Your Blending Jar (cont.)



Blender Tips

- To add foods when blender is operating, remove filler-cap from lid and add ingredients through the opening.
- For best performance in the 32-oz. blending jar, the minimum amount of liquid needed per recipe is 1 cup (8 ounces/237 ml). The 16-oz. travel jar requires 3/4 cup (177 ml) liquid per recipe for best performance. Add more liquid if food is not blending properly.
- If blending action stops during blending or ingredients stick to sides of the jar, there may not be enough liquid in the jar to blend efficiently.
- Do not try to mash potatoes, mix stiff dough, whip egg whites, grind raw meat, or extract juices from fruits and vegetables.
- Do not store food or liquids in the blending jar.
- Avoid bumping or dropping the blender when in operation or at any time.

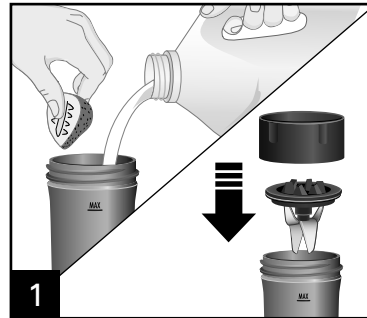
Using the Travel Jar (optional accessory on select models)

⚠ WARNING Burn Hazard.

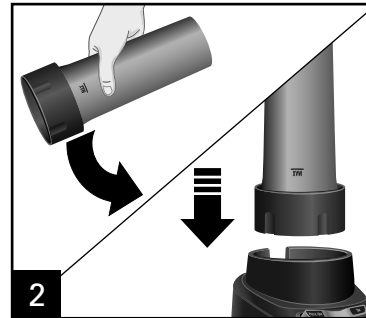
Do not blend hot ingredients. Pressure may build, causing jar to pop off and hot ingredients to erupt.

⚠ WARNING Laceration Hazard.

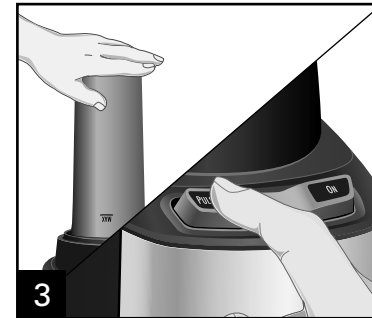
Handle blades carefully; they are very sharp. Make sure unit is turned OFF (O) and is unplugged.



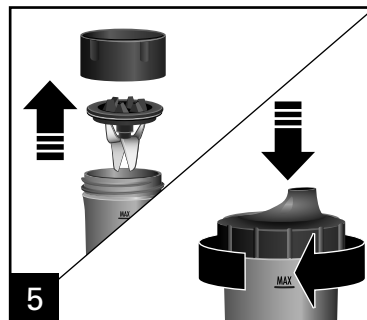
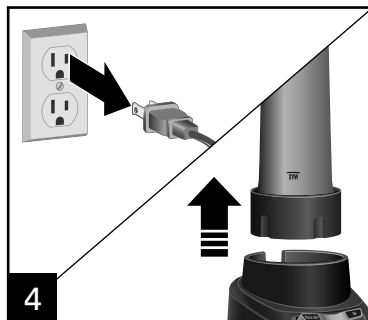
1 Add ingredients to travel jar. Carefully place cutting assembly and collar onto travel jar.



2 Turn travel jar upside down and place onto base.



3 Hold jar in place while blending. Plug into outlet. Press **ON (I)** or **PULSE** to blend 15 to 30 seconds or until smooth. Always operate on a countertop or other supporting surface.



4 Turn bottom up; remove collar and cutting blade assembly from jar. Hand-tighten drinking lid onto travel jar.

Blending Tips for the 16-oz. Travel Jar

- For best performance in the 16-oz. travel jar, the minimum amount of liquid needed per recipe is 3/4 cup (6 ounces/177 ml).
- Do not chop or process hard foods such as cheese, crackers, or meat.
- If blending action stops during blending or ingredients stick to sides of the jar, turn blender OFF (O). Remove jar, collar, and blade and use a narrow rubber spatula to stir.
- Do not process hot foods or liquids in travel jar.
- Avoid bumping or dropping the blender.
- If blender stops working, unplug and allow 15 minutes before using. Plug into outlet to start blending.

Blending Drinks

TIPS FOR BEST RESULTS:

- Always place liquid in blending jar first, then remaining ingredients.
- If ice is not blending, stop blender and pulse a few times.

TYPE OF DRINK	INGREDIENTS (32 oz.)	INGREDIENTS (16 oz.)	BLENDER SETTING/TIME
Fruit Smoothie	1 1/2 cups (355 ml) milk 2 cups (473 ml) yogurt 2 1/2 cups (591 ml) frozen berries or other fruit Serves: 4–5	3/4 cup (177 ml) milk 3/4 cups (177 ml) yogurt 1 cup (237 ml) frozen berries or other fruit Serves: 1–2	PULSE for 15 seconds. Press ON (I) and blend until well blended.
Milkshake	1 3/4 cups (414 ml) milk 4 large scoops ice cream 1/4 cup (59 ml) flavored syrup Serves: 4–5	1 cup (237 ml) milk 2 large scoops ice cream 2 to 3 Tablespoons (30 to 44 ml) flavored syrup Serves: 1–2	Press ON (I) and blend until well blended.
Frozen Drink	2 cups (473 ml) drink mix, such as Piña Colada mix 4 oz. (118 ml) liquor, if desired 20 ice cubes Serves: 4–5	1 cup (237 ml) drink mix, such as Piña Colada mix 2 oz. (59 ml) liquor, if desired 10 ice cubes Serves: 2–3	PULSE for 30 seconds. Press ON (I) and blend until well blended.

Grinding Food

TIPS FOR BEST RESULTS:

- Press **PULSE** until food is the desired texture.
- Parmesan cheese and other hard cheeses should remain refrigerated prior to blending.

FOOD	MAX AMOUNT IN GRINDING CUP	PREPARATION
Parmesan Cheese	4 oz. (113 g)	1/2-in. (1.3-cm) cubes
Nuts	1/2 cup (118 ml)	None
Cookie or Cracker Crumbs	1/2 cup (118 ml)	Break cookies or crackers into pieces
Coffee Beans	1/2 cup (118 ml)	None

Using the Grinding Cup (optional accessory on select models)

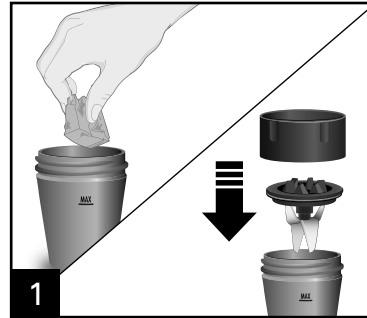
⚠ WARNING Laceration Hazard.

Ensure unit is OFF (O) and unplugged before attaching grinding cup. Do not plug in and turn on until cup is secured onto base.

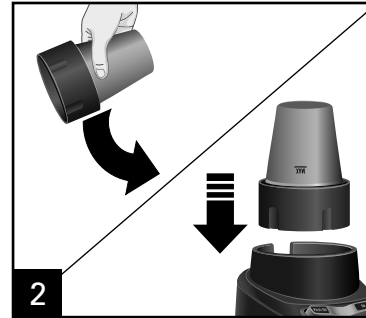
Always turn OFF (O), unplug, and allow blade to stop spinning before removing from base. Handle blades carefully; they are very sharp.

⚠ WARNING Burn Hazard.

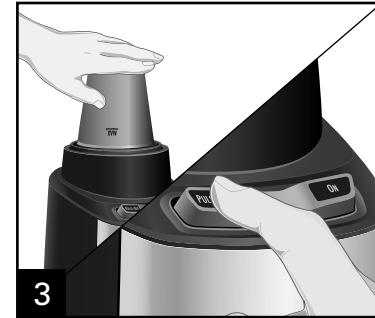
Do not blend hot ingredients. Pressure may build, causing jar to pop off and hot ingredients to erupt.



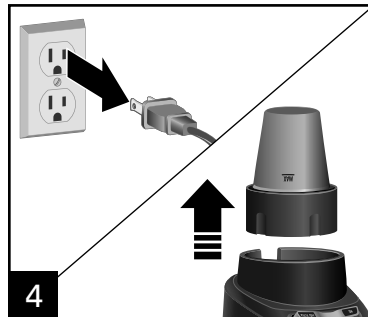
1 Add ingredients (no more than 1/2 cup or to the MAX fill line) to grinding cup. Carefully place cutting assembly and collar onto cup.



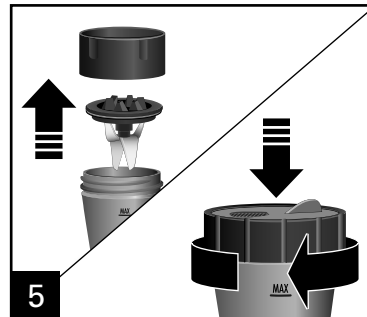
2 Turn cup upside down and place onto base.



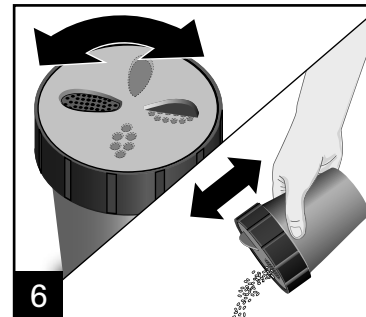
3 Hold cup in place while blending. Plug into outlet. Press **ON (I)** or **PULSE** to chop. Always operate on a countertop or other supporting surface.



4 Turn bottom up, remove collar and cutting blade assembly from cup. Hand-tighten shaker/storage lid onto cup.



5 Turn top of lid to desired hole size. Shake to dispense.



6 Turn top of lid to desired hole size. Shake to dispense.

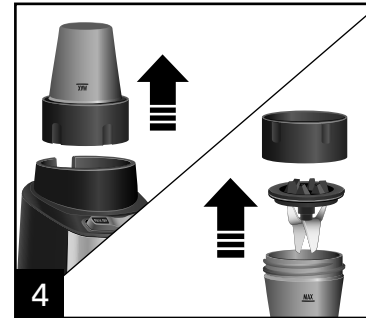
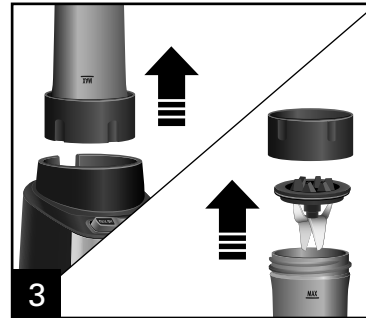
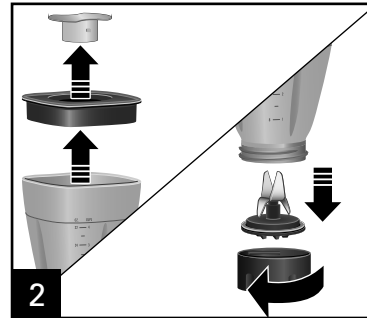
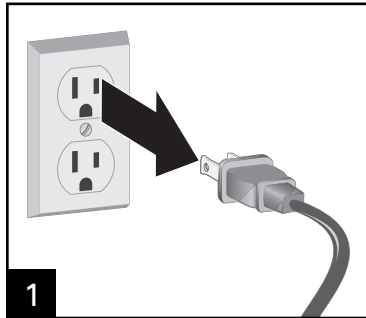
NOTE: Do not blend liquid ingredients in the 8-oz. grinding cup.

Care and Cleaning

⚠ WARNING Electrical Shock Hazard.

Disconnect power before cleaning. Do not immerse cord, plug, base, or motor in water or other liquid.

NOTE: Some optional accessories are shown that may be included with some models.



Wipe blender base, control panel, and cord with a damp cloth or sponge. To remove stubborn spots, use a mild, nonabrasive cleanser.



DO NOT use the "SANI" setting when washing in the dishwasher. "SANI" cycle temperatures could damage your product. Parts may also be washed with hot, soapy water. Care should be taken when handling the cutting blade assembly as it is very sharp. Rinse and dry thoroughly. Do not soak.

EASY CLEAN: To Easy Clean, pour 2 cups (473 ml) warm water into 32-oz. jar and add 1 drop liquid dishwashing detergent. Press **ON (I)** and blend for 10 seconds. Discard soapy water. Rinse with clean water. To Easy Clean the travel jar and grinding cup, repeat directions above, except reduce warm water to 3/4 cup (177 ml).

This is not a substitute for regular cleaning as instructed in "Care and Cleaning."

Easy Clean should only be used to rinse the blender between batches of processing the same food. When the processing of a single type of food is finished, the blender should be disassembled and thoroughly cleaned as instructed in "Care and Cleaning."

Recipes for 32-oz. Blending Jar

Triple Berry Smoothie

1/2 cup (118 ml) cranberry-raspberry juice
1 cup (237 ml) fresh strawberries, hulled
1 cup (237 ml) fresh raspberries
1/2 cup (118 ml) fresh blueberries
1/2 cup (118 ml) vanilla yogurt
10 ice cubes

Directions:

1. Place ingredients in blending jar in order listed.
2. Cover and blend until smooth.

TEST KITCHEN TIP: Try different combinations of fresh berries and juice to make new flavors of smoothies.

Serves: 4

Mango Smoothie

1/2 cup (118 ml) fresh orange juice
1/2 cup (118 ml) peach yogurt
2 Tablespoons (30 ml) honey
1 cup (237 ml) fresh mango
3–4 ice cubes

Directions:

1. Place ingredients in blending jar in order listed.
2. Cover and blend until smooth.

*Always place liquid ingredients in blender first.

Serves: 2–4

Vanilla Milkshake With Mix-Ins

3/4 cup (177 ml) milk
3 large scoops vanilla ice cream
1/4 cup (59 ml) crushed candy or cookies, optional

Directions:

1. Place ingredients in blending jar in order listed.
2. Cover and blend until smooth.

TEST KITCHEN TIPS:

- Always place liquid ingredients in blender first.
- For best results, crush candy or cookies before adding to milkshake. When milkshake is blended, pour crushed candy or cookies on top and PULSE blender 3 to 4 times to mix.

Serves: 2–3

Fresh and Spicy Salsa

1 onion, peeled and quartered
1 clove garlic
1 jalapeno pepper, stem removed
4 small tomatoes, quartered
1/4 cup (59 ml) cilantro
1 Tablespoon (15 ml) lime juice
1/2 teaspoon (2.5 ml) cumin
Salt and pepper to taste

Directions:

1. Place onion, garlic, and pepper in blender. Cover and PULSE until finely minced. Stir as needed. Stop blender.
2. Add tomatoes, cilantro, lime juice, cumin, salt, and pepper. Cover and PULSE until desired texture is reached, stirring as needed.

Serves: 6–8

11

Limited Warranty

This warranty applies to products purchased and used in the U.S. and Canada. This is the only express warranty for this product and is in lieu of any other warranty or condition.

This product is warranted to be free from defects in material and workmanship for a period of five (5) years from the date of original purchase in Canada and three (3) years from the date of original purchase in the U.S. During this period, your exclusive remedy is repair or replacement of this product or any component found to be defective, at our option; however, you are responsible for all costs associated with returning the product to us and our returning a product or component under this warranty to you. If the product or component is no longer available, we will replace with a similar one of equal or greater value.

This warranty does not cover glass, filters, wear from normal use, use not in conformity with the printed directions, or damage to the product resulting from accident, alteration, abuse, or misuse. This warranty extends only to the original consumer purchaser or gift recipient. Keep the original sales receipt, as proof of purchase is required to make a warranty claim. This warranty is void if the product is used for other than single-family household use or subjected to any voltage and waveform other than as specified on the rating label (e.g., 120V ~ 60 Hz).

We exclude all claims for special, incidental, and consequential damages caused by breach of express or implied warranty. All liability is limited to the amount of the purchase price. **Every implied warranty, including any statutory warranty or condition of merchantability or fitness for a particular purpose, is disclaimed except to the extent prohibited by law, in which case such warranty or condition is limited to the duration of this written warranty.** This warranty gives you specific legal rights. You may have other legal rights that vary depending on where you live. Some states or provinces do not allow limitations on implied warranties or special, incidental, or consequential damages, so the foregoing limitations may not apply to you.

To make a warranty claim, do not return this appliance to the store. Please call 1.800.851.8900 in the U.S. or 1.800.267.2826 in Canada or visit hamiltonbeach.com in the U.S. or hamiltonbeach.ca in Canada. For faster service, locate the model, type, and series numbers on your appliance.

PRÉCAUTIONS IMPORTANTES

Pour utiliser un appareil électroménager, vous devez toujours prendre des mesures élémentaires de sécurité pour réduire le risque d'incendie, d'électrocution et/ou de blessure corporelle, en particulier les mesures suivantes :

1. Lire toutes les instructions.
2. Cet appareil n'est pas destiné à être utilisé par des personnes (y compris les enfants) dont les capacités physiques, sensorielles ou mentales sont réduites, ou manquant d'expérience et de connaissance, sauf si elles sont étroitement surveillées et instruites sur l'utilisation de l'appareil par une personne responsable de leur sécurité.
3. Une surveillance étroite est requise pour tout appareil utilisé par ou près des enfants. Surveiller que les enfants ne jouent pas avec l'appareil.
4. Pour éviter les risques d'électrocution, ne pas immerger le cordon, la fiche, la base ou le moteur dans l'eau ou tout autre liquide.
5. Débrancher le cordon de la prise dès la fin de l'utilisation, avant d'installer ou de retirer des pièces et avant le nettoyage.
6. Éviter de toucher les parties mobiles.
7. Ne pas utiliser aucun appareil dont le cordon ou la prise est endommagé, ou suite à toutes anomalies de fonctionnement de l'appareil, une chute ou tout autre dommage quel qu'il soit. Appeler notre numéro sans frais de service à la clientèle pour des renseignements concernant l'examen, la réparation ou l'ajustement électrique ou mécanique.
8. L'utilisation d'accessoires non recommandés ou vendus par le fabricant de l'appareil, incluant les boîtes de conserve, peut provoquer des blessures.
9. Ne pas utiliser à l'extérieur.
10. Ne pas laisser pendre le cordon de la table ou du comptoir et éviter tout contact entre le cordon et les surfaces chaudes incluant la cuisinière.
11. Tenir les mains et les ustensiles hors du récipient de mélangeur pendant le fonctionnement pour réduire les risques de blessures ou de dommages à l'appareil. Un racloir en caoutchouc peut être utilisé, mais uniquement lorsque le moteur de l'appareil est arrêté.
12. Les lames sont tranchantes ; manipuler avec soin lors de l'assemblage et du démontage ou lors du nettoyage de l'intérieur du récipient du mélangeur.
13. Ne pas utiliser un récipient de mélangeur brisé, craqué ou fissuré.
14. Ne pas utiliser des lames brisées, fissurées ou lâches.
15. Pour éviter les risques de blessure, ne jamais placer les lames sans avoir correctement sécurisé le récipient de mélangeur ou la tasse de broyage sur la base.
16. Toujours installer le couvercle avant de faire fonctionner l'appareil.
17. Ne pas mélanger de liquides chauds dans la tasse de voyage ou de broyage.
18. Lors du mélange de liquides très chauds dans le récipient de mélangeur de 32 oz (946 ml), retirer la pièce central du couvercle en deux parties. Les liquides chauds peuvent pousser sur le couvercle pendant le mélange. Pour prévenir les brûlures : Ne pas remplir au-delà de la marque 3 tasses (710 ml) du récipient de mélangeur. À l'aide d'un gant de cuisinier ou d'une serviette épaisse, placer une main sur le dessus du couvercle. Garder la peau exposée éloignée du couvercle. Commencer à mélanger en utilisant la vitesse minimale.
19. Serrer et sécuriser le collier de la base du récipient du mélangeur, la tasse de voyage et de broyage. Des risques de blessures peuvent survenir si les lames en mouvement sont accidentellement exposées.
20. Si le récipient bouge ou tourne pendant que le moteur est en marche (ON/I), mettre immédiatement le mélangeur hors tension (OFF/O) puis serrer le collier au mélangeur ou à la base du mélangeur.
21. Ne pas laisser le mélangeur sans surveillance pendant le fonctionnement.
22. Avant de brancher la fiche dans la prise, tourner la commande à OFF (arrêt/O). Débrancher le cordon et tourner la commande à OFF (arrêt/O). Retirer ensuite la fiche de la prise murale.

23. N'utiliser cet appareil que pour les fonctions auxquelles il est destiné.

24. Ne placer pas sur ou à proximité d'un brûleur électrique ou à gaz chaud ou dans un four chaud.

CONSERVER CES INSTRUCTIONS !

Autres consignes de sécurité pour le consommateur

Cet appareil est conçu pour une utilisation domestique seulement. Utiliser seulement pour les aliments et les liquides.

AVERTISSEMENT ! Risque d'électrocution : Cet appareil électroménager possède une fiche polarisée (une broche large) qui réduit le risque d'électrocution. Cette fiche n'entre que dans un seul sens dans une prise polarisée. Ne contrecarrez pas l'objectif sécuritaire de cette fiche en la modifiant de quelque manière que ce soit ou en utilisant un adaptateur. Si vous ne pouvez pas insérer complètement la fiche dans la prise, inversez la fiche. Si elle refuse toujours de s'insérer, faire remplacer la prise par un électricien.

La longueur du cordon installé sur cet appareil a été sélectionnée afin de réduire les risques d'enchevêtrement ou de faux pas causés par un fil trop long. L'utilisation d'une rallonge approuvée est permise si

le cordon est trop court. Les caractéristiques électriques de la rallonge doivent être équivalentes ou supérieures aux caractéristiques de l'appareil. Prendre toutes les précautions nécessaires pour installer la rallonge de manière à ne pas la faire courir sur le comptoir ou sur une table pour éviter qu'un enfant ne tire sur le cordon ou trébuche accidentellement.

Les lames qui se bloquent ou refusent de bouger peuvent endommager le moteur. Ne pas utiliser. Appeler la ligne sans frais du Service à la clientèle pour plus d'informations.

Ne pas stocker le récipient du mélangeur au congélateur s'il contient des aliments ou du liquide. Ceci pourrait endommager les lames, le récipient, le mélangeur et éventuellement, occasionner des blessures.

Information au sujet de la tension et de la puissance maximale

La puissance et l'intensité nominales du mélangeur sont déterminées par un essai du Underwriters laboratories basé sur des combinaisons de lames, de récipient et des accessoires pouvant ne pas être offerts pour votre appareil, mais offertes comme pièces de rechange. Ceci est une mesure d'entrée de tension et d'intensité suite à un fonctionnement d'une durée de 30 secondes. Le mélangeur, comme fourni, peut être plus éconergétique.

La puissance maximale est la mesure de la puissance restituée du moteur au cours des premières secondes de fonctionnement. Ceci représente la puissance maximale requise par votre mélangeur

pour piler la glace, les fruits congelés, etc. Ceci est une mesure plus juste du moteur du mélangeur lors de sa demande énergétique maximale.

AVANT LA PREMIÈRE UTILISATION : Après avoir déballé le mélangeur, laver tout le mélangeur à l'exception de la base dans l'eau chaude savonneuse. Assécher complètement. Essuyer la base du mélangeur avec un linge humide ou une éponge. **NE PAS IMMERGER PAS LA BASE DANS L'EAU.** Les lames du mélangeur sont très tranchantes et demandent à être manipulées avec grande prudence.

Pièces et caractéristiques

*Pour commander des pièces :
Canada : 1.800.267.2826

AVANT LA PREMIÈRE UTILISATION :
Déballer le mélangeur et suivre les instructions
au chapitre « Entretien et nettoyage ».

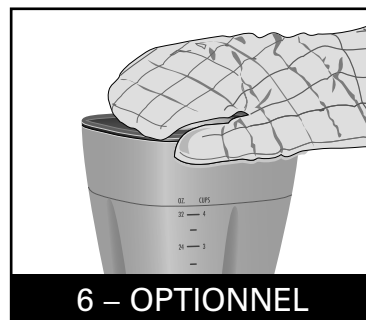
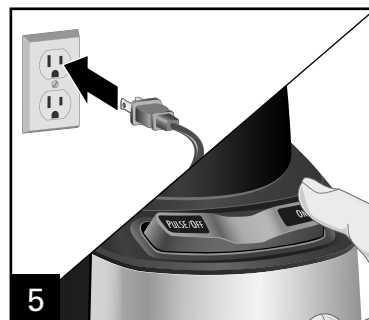
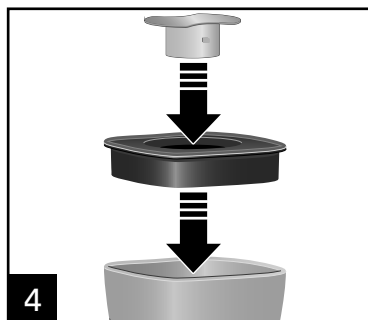
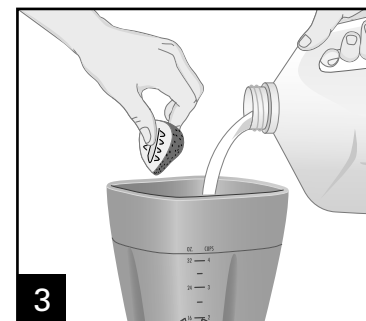
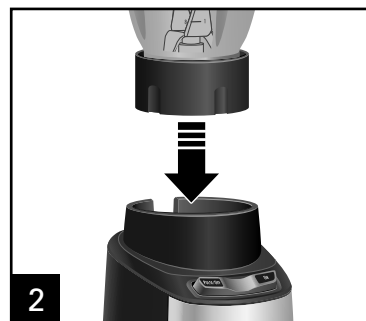
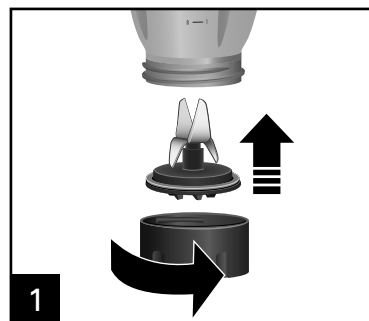
*Accessoire en option
sur certains modèles



15

Utilisation du récipient du mélangeur

IMPORTANT : Le récipient du mélangeur et l'assemblage des lames du mélangeur peuvent s'user au cours de l'utilisation normale. Inspecter toujours le récipient à la recherche d'entailles, d'écaillures ou de fissures. Inspecter toujours l'assemblage des lames à la recherche de brisures, fissures ou de relâchement. Ne pas utiliser un récipient ou un assemblage de lame endommagé. Appeler le numéro sans frais du Service à la clientèle pour obtenir des pièces de rechange.



Appuyer sur le bouton de vitesse désiré. Lors de l'utilisation du bouton **PULSE** (impulsion), le mélangeur ne fonctionne que pendant que le bouton reste appuyé.

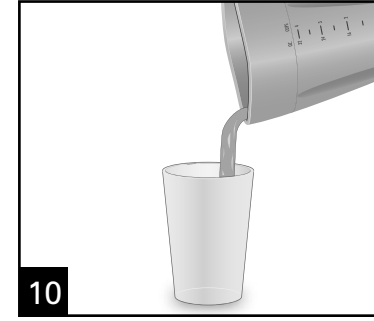
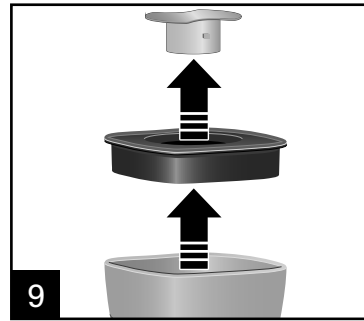
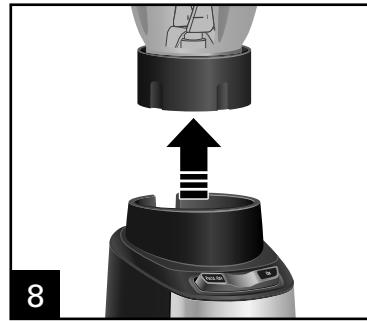
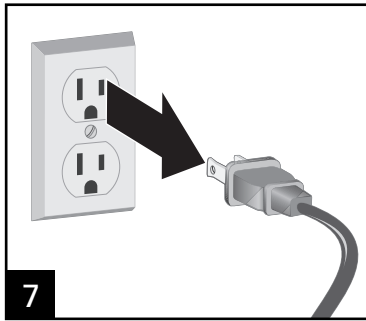
⚠ AVERTISSEMENT

Risque de déchirures.

Tenir les lames avec soins ; ils sont très coupantes. S'assurer que l'appareil est hors tension (OFF/O) et débranché.

AVERTISSEMENT ! Risque de brûlures : Ne pas mélanger de liquides chauds dans la tasse de voyage ou de broyage. Lors du mélange de liquides chauds, retirer le bouchon de remplissage. Les liquides chauds peuvent pousser sur le couvercle pendant le mélange. Pour prévenir les brûlures : Ne pas remplir au-delà de la marque 3 tasses (710 ml) du récipient du mélangeur. À l'aide d'un gant de cuisinier ou d'une serviette épaisse, placer une main sur le dessus du couvercle. Commencer à mélanger en utilisant la vitesse minimale.

Utilisation du récipient du mélangeur (suite)



Conseils

- Pour ajouter des aliments pendant que le mélangeur fonctionne, retirer le bouchon de remplissage et ajouter les ingrédients par l'ouverture.
- Pour un meilleur résultat dans le récipient du mélangeur de 32 oz, la quantité minimale de liquide nécessaire par recette est de 8 oz. Pour un meilleur résultat de la tasse de voyage de 16 oz, une quantité de 6 oz (177 ml) de liquide par recette est nécessaire. Ajouter du liquide si les aliments ne se mélangent pas correctement.
- Si le processus de mélange cesse pendant le fonctionnement ou que les ingrédients collent aux parois du récipient, il faudra peut-être ajouter du liquide dans le récipient pour obtenir un mélange efficace.
- Ne pas tenter de piler les pommes de terre, les mélanges de pâtes massives, fouetter des blancs d'œufs, broyer de la viande crue ou d'extraire des jus de fruits et de légumes.
- Ne pas stocker d'aliments ou de liquides dans le récipient du mélangeur.
- Éviter de frapper ou échapper le mélangeur pendant son fonctionnement, et ce, en tout temps.

Utilisation de la tasse de voyage

(accessoire en option sur certains modèles)

⚠ AVERTISSEMENT

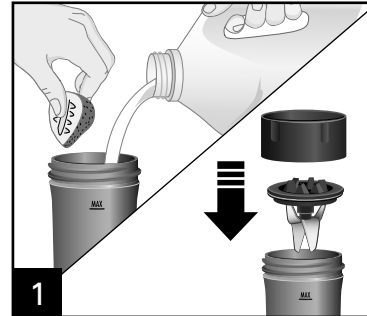
Risque de brûlures.

Ne pas mélanger d'ingrédients chauds. La pression provoquée par la chaleur peut provoquer l'éclatement du couvercle et répandre les ingrédients chauds.

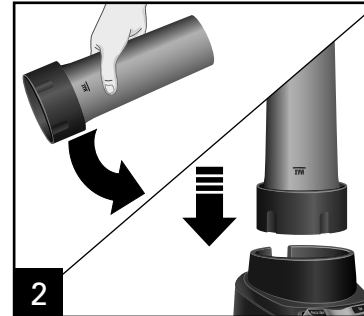
⚠ AVERTISSEMENT

Risque de déchirures.

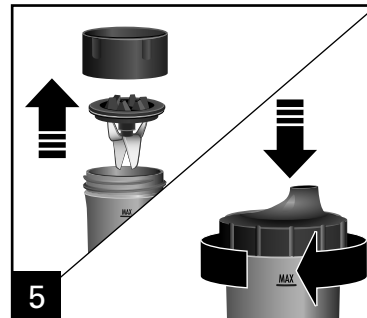
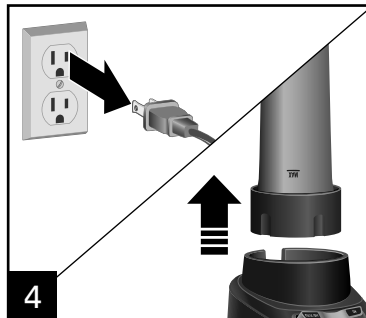
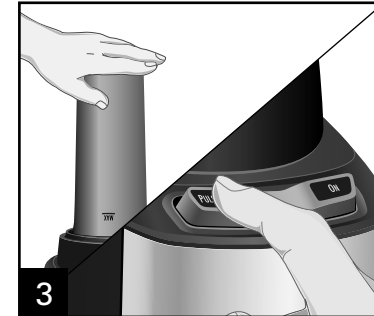
Tenir les lames avec soins ; ils sont très coupantes. S'assurer que l'appareil est hors tension (OFF/O) et débranché.



1 Verser les ingrédients dans la tasse de voyage. Installer soigneusement l'assemblage de lame et le collier sur la tasse de voyage.



2 Inverser la tasse de voyage et l'installer sur la base. Tenir le récipient en place pendant le mélange. Brancher dans la prise. Appuyer sur **ON** (marche/I) ou **PULSE** (impulsion) et mélanger pendant 15 à 30 secondes ou jusqu'à ce que la texture soit lisse. Toujours faire fonctionner l'appareil sur un comptoir ou autre surface d'appui.



4 Retourner à la verticale, retirer le collier et la lame du récipient. Serrer manuellement le couvercle sur la tasse de voyage.

Conseils de mélange pour la tasse de voyage de 16 oz

- Pour un meilleur résultat dans la tasse de voyage de 16 oz, la quantité minimale de liquide nécessaire par recette est de 6 oz (177 ml).
- Ne hacher ni ne mélanger des aliments durs comme le fromage, les craquelins ou la viande.
- Si le mouvement de brassage cesse en cours de mélange ou si les ingrédients adhèrent aux parois du bol, éteindre (O) le mélangeur. Retirer la bouteille, le collier et la lame et mélanger avec une spatule étroite en plastique.
- Ne mélanger pas des aliments ou des liquides chauds dans la tasse de voyage.
- Éviter de heurter ou échapper le mélangeur.
- Si le mélangeur cesse de fonctionner, le débrancher et attendre 15 minutes avant de l'utiliser à nouveau. Brancher la fiche dans la prise de courant et commencer le mélange.

Mélanger des boissons

CONSEILS POUR DE MEILLEURS RESULTANTS :

- Toujours déposer le liquide dans le récipient du mélangeur en premier ; verser ensuite les autres ingrédients.
- Si la glace ou les morceaux de fruits ne se mélangent pas, arrêter le mélangeur et appuyer sur PULSE (impulsion) à quelques reprises.

SORTE DE BOISSON	INGRÉDIENTS (32 oz)	INGRÉDIENTS (16 oz)	RÉGLAGE/DURÉE
Frappé aux fruits	1 1/2 tasses (355 ml) de lait 2 tasses (473 ml) de yogourt 2 1/2 tasses (591 ml) de baies/fruits congelés Servir : 4 à 5	3/4 tasse (177 ml) de lait 3/4 tasse (177 ml) de yogourt 1 tasse (237 ml) de baies/fruits congelés Servir : 1 à 2	PULSE (impulser) pendant 15 secondes. Appuyer sur ON (marche/I) et bien mélanger.
Lait frappé	1 3/4 tasses (414 ml) de lait 4 grosses cuillères pleines de crème glacée 1/4 tasse (59 ml) de sirop aromatisé Servir : 4 à 5	1 tasse (237 ml) de lait 2 grosses cuillères pleines de crème glacée 2 à 3 c. à soupe (30 à 44 ml) de sirop aromatisé Servir : 1 à 2	Appuyer sur ON (marche/I) et bien mélanger.
Boisson congelée	2 tasses (473 ml) de mélange pour boisson comme un mélange pour pina colada 4 oz. (118 ml) de liqueur, si désiré 20 cubes de glace Servir : 4 à 5	1 tasse (237 ml) de mélange pour boisson comme un mélange pour pina colada 2 oz. (59 ml) de liqueur, si désiré 10 cubes de glace Servir : 2 à 3	PULSE (impulser) pendant 30 secondes. Appuyer sur ON (marche/I) et bien mélanger.

Pour broyer des aliments

CONSEILS POUR DE MEILLEURS RESULTANTS:

- Appuyer sur **PULSE** (impulsion) jusqu'à ce que les aliments atteignent la texture désirée.
- Le parmesan et les autres fromages fermes doivent rester au réfrigérateur avant de les mélanger.

ALIMENTS	QUANTITÉ MAX. DE LA TASSE DE BROYAGE	PRÉPARATION
Fromage parmesan	4 oz (113 g)	Morceaux de 1/2 po (1,3 cm)
Noix	1/2 tasse (118 ml)	Aucune
Miettes de biscuits ou craquelins	1/2 tasse (118 ml)	Briser en morceaux
Grains de café	1/2 tasse (118 ml)	Aucune

19

Utilisation de la tasse de broyage

(accessoire en option sur certains modèles)

⚠ AVERTISSEMENT

Risque de déchirures.

S'assurer que l'appareil est hors tension (OFF/O) et débranché avant d'installer la tasse de broyage. Ne pas brancher ou mettre l'appareil en marche tant que la tasse n'est pas installée correctement sur la base.

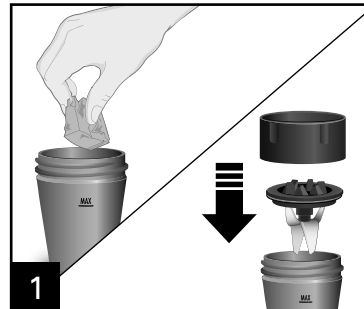
Toujours mettre l'appareil hors tension (OFF/O), le débrancher et laisser la lame s'immobiliser avant de retirer la tasse de la base. Tenir la lame avec soins; elle est très coupante.

⚠ AVERTISSEMENT

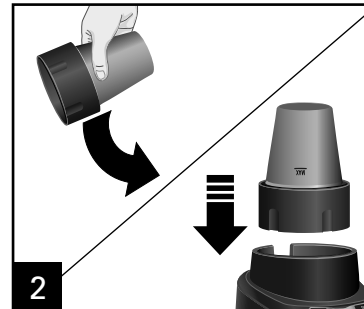
Risque de brûlures.

Ne pas mélanger d'ingrédients chauds. La pression provoquée par la chaleur peut provoquer l'éclatement du couvercle et répandre les ingrédients chauds.

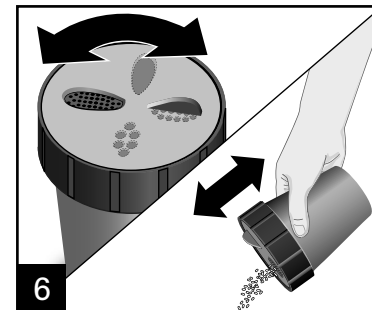
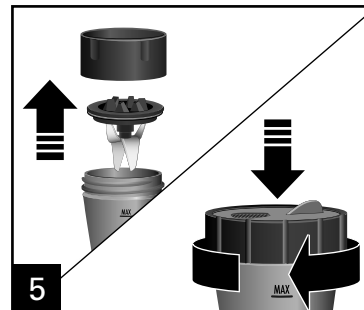
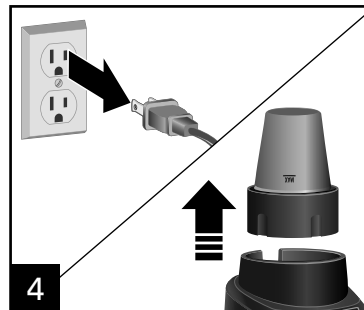
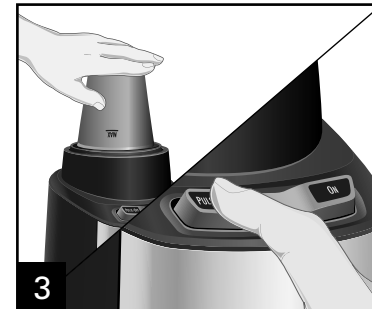
REMARQUE : Ne pas mélanger les ingrédients liquides dans la tasse de broyage de 8 oz (237 ml).



1 Ajouter les ingrédients (pas plus de 1/2 tasse [118 ml] ou jusqu'à la ligne de remplissage MAX) dans la tasse de broyage. Installer soigneusement l'assemblage de lame et le collier sur la bouteille.



2 Inverser la tasse et l'installer sur la base. Tenter la tasse en place pendant le mélange. Brancher sur une prise de courant. Appuyer sur **ON** (marche/I) ou **PULSE** (impulsion) pour hacher. Toujours faire fonctionner l'appareil sur un comptoir ou autre surface d'appui.



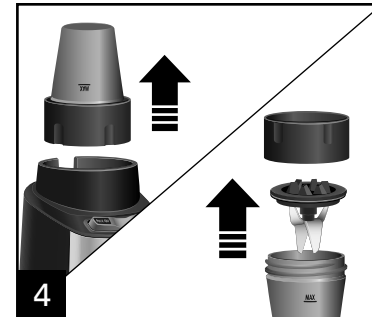
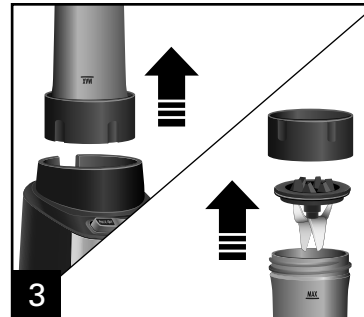
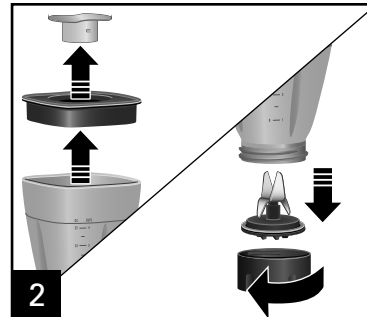
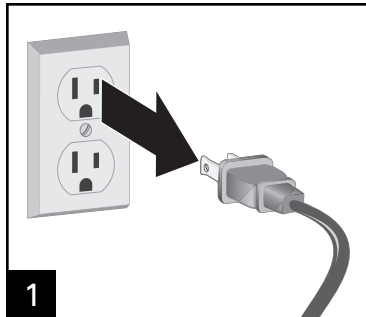
6 Retourner à la verticale, retirer le collier et la lame du tasse. Visser manuellement le couvercle pour mélange/rangement de café sur la tasse. Tourner le dessus du couvercle pour obtenir la dimension d'ouverture désirée. Agiter à distribuer.

Entretien et nettoyage

⚠ AVERTISSEMENT Risque d'électrocution.

Débrancher le cordon d'alimentation avant le nettoyage.
N'immerger pas le cordon, la fiche ni la base dans quelque liquide.

NOTE : Certains accessoires en option sont indiqués pouvant être inclus avec certains modèles.



Essuyer la base du mélangeur, le panneau de commande et le cordon avec un linge humide ou une éponge. Pour enlever les taches rebelles, utiliser un nettoyant doux et non abrasif.



NE PAS utiliser le réglage "SANI" du lave-vaisselle. Les températures du cycle "SANI" peuvent endommager le produit. Les pièces peuvent être lavées également avec de l'eau chaud et savonneux. L'assemblage de lames est très tranchantes et demandent à être manipulées avec grande prudence. Rincer et sécher soigneusement. Ne pas faire tremper.

NETTOYAGE RAPIDE : Pour nettoyer rapidement, verser 2 tasses (473 ml) d'eau chaude dans le récipient de 32 oz et ajouter une goutte de savon à vaisselle. Appuyer sur **ON** (marche/I) et mélanger pendant 10 secondes. Jeter l'eau savonneuse. Rincer avec de l'eau propre. Pour nettoyer facilement la tasse de voyage et de broyage, répéter les instructions ci-dessus en réduisant la quantité d'eau chaude à 6 oz (177 ml).

Ceci ne remplace pas le nettoyage périodique indiqué au chapitre « Entretien et nettoyage ».

Cette méthode de nettoyage rapide ne doit être utilisée que pour rincer le mélangeur entre les transformations d'aliments identiques. Lorsque la transformation d'un seul type d'aliment est terminée, le mélangeur doit être démonté et entièrement nettoyé comme indiqué au chapitre « Entretien et nettoyage ».

Recettes pour récipient du mélangeur de 32 oz

Frappés aux 3 fruits

1/2 tasse (118 ml) de jus de canneberge et framboise
1 tasse (237 ml) de fraises fraîches, équeutées
1 tasse (237 ml) de framboises fraîches
1/2 tasse (118 ml) de bleuets frais
1/2 tasse (118 ml) de yogourt à la vanille
10 glaçons

Instructions :

1. Déposer les ingrédients dans le récipient du mélangeur dans l'ordre indiqué.
2. Couvrir et mélanger jusqu'à ce que le mélange soit lisse.

CONSEILS : Essayer d'autres combinaisons de fruits et de jus pour obtenir de nouvelles saveurs de frappés. **4 portions**

Frappé à la mangue

1/2 tasse (118 ml) de jus d'orange frais
1/2 tasse (118 ml) de yogourt aux pêches
2 c. à table (30 ml) de miel
1 tasse (237 ml) de mangue fraîche
3 à 4 glaçons

Instructions :

1. Déposer les ingrédients dans le récipient du mélangeur dans l'ordre indiqué.
2. Couvrir et mélanger jusqu'à ce que le mélange soit lisse.

*Toujours déposer les ingrédients liquides dans le mélangeur en premier. **2 à 4 portions**

Lait fouetté à la vanille et ingrédients

3/4 tasse (177 ml) de lait
3 grosses cuillères de crème glacée à la vanille
1/4 tasse (59 ml) de bonbons ou biscuits broyés, facultatifs

Instructions :

1. Déposer les ingrédients dans le récipient du mélangeur dans l'ordre indiqué.
2. Couvrir et mélanger jusqu'à ce que le mélange soit lisse.

CONSEILS :

- Toujours déposer les ingrédients liquides dans le mélangeur en premier.
- Pour des résultats optimaux, broyer les bonbons ou les biscuits avant de les ajouter au lait frappé. Lorsque le lait fouetté est mélangé, verser les bonbons ou les biscuits broyés sur le dessus puis impulser 3 à 4 fois pour mélanger. **2 à 3 portions**

Salsa fraîche et épicée

1 oignon pelé et coupé en quartiers	1/4 tasse (59 ml) de coriandre
1 gousse d'ail	1 c. à table (15 ml) de jus de limette
1 piment jalapeno, épépiné	1/2 c. à thé (2,5 ml) de cumin
4 petites tomates coupées en quartier	Sel et poivre au goût

Instructions :

1. Déposer l'oignon, l'ail et le piment dans le mélangeur. Couvrir et impulser (PULSE) jusqu'à ce que tout soit finement haché. Mélanger au besoin. Mettre le mélangeur hors tension.
2. Ajouter les tomates, la coriandre, le jus de limette, le cumin, le sel et le poivre. Couvrir et impulser (PULSE) jusqu'à obtention de la texture désirée, en remuant au besoin. **6 à 8 portions**

Notes

Garantie limitée

Cette garantie s'applique aux produits achetés et utilisés aux É.-U. et au Canada. C'est la seule garantie expresse pour ce produit et est en lieu et place de tout autre garantie ou condition.

Ce produit est garanti contre tout défaut de matériaux et de main-d'oeuvre pour une période des cinq (5) ans à compter de la date d'achat d'origine au Canada et trois (3) ans à compter de la date d'achat d'origine aux É.-U. Au cours de cette période, votre seul recours est la réparation ou le remplacement de ce produit ou tout composant s'avérant défectueux, à notre gré, mais vous êtes responsable de tous les coûts liés à l'expédition du produit et le retour d'un produit ou d'un composant dans le cadre de cette garantie. Si le produit ou un composant n'est plus offert, nous le remplacerons par un produit similaire de valeur égale ou supérieure.

Cette garantie ne couvre pas le verre, les filtres, l'usure d'un usage normal, l'utilisation non conforme aux directives imprimées, ou des dommages au produit résultant d'un accident, modification, utilisation abusive ou incorrecte. Cette garantie s'applique seulement à l'acheteur original ou à la personne l'ayant reçu en cadeau. La présentation du reçu de vente d'origine comme preuve d'achat est nécessaire pour faire une réclamation au titre de cette garantie. Cette garantie s'annule si le produit est utilisé autrement que par une famille ou si l'appareil est soumis à toute tension ou forme d'onde différente des caractéristiques nominales précisées sur l'étiquette (par ex. : 120 V ~ 60 Hz).

Nous excluons toutes les réclamations au titre de cette garantie pour les dommages spéciaux, consécutifs et indirects causés par la violation de garantie expresse ou implicite. Toute responsabilité est limitée au prix d'achat. **Chaque garantie implicite, y compris toute garantie ou condition de qualité marchande ou d'adéquation à un usage particulier, est exonérée, sauf dans la mesure interdite par la loi, auquel cas la garantie ou condition est limitée à la durée de cette garantie écrite.** Cette garantie vous donne des droits légaux précis. Vous pouvez avoir d'autres droits qui varient selon l'endroit où vous habitez. Certaines provinces ne permettent pas les limitations sur les garanties implicites ou les dommages spéciaux ou indirects de telle sorte que les limitations ci-dessus ne s'appliquent peut-être pas à votre cas.

Ne pas retourner cet appareil au magasin lors d'une réclamation au titre de cette garantie. Téléphoner au 1.800.851.8900 aux É.-U. ou au 1.800.267.2826 au Canada ou visiter le site internet www.hamiltonbeach.com aux É.-U. ou www.hamiltonbeach.ca au Canada. Pour un service plus rapide, trouvez le numéro de modèle, le type d'appareil et les numéros de série sur votre appareil.

SALVAGUARDIAS IMPORTANTES

Cuando utilice artefactos eléctricos, siempre deben seguirse precauciones de seguridad básicas a fin de reducir el riesgo de incendio, descarga eléctrica, y/o lesiones a personas, incluyendo las siguientes:

1. Lea todas las instrucciones.
2. Este aparato no se destina para utilizarse por personas (incluyendo niños) cuyas capacidades físicas, sensoriales o mentales sean diferentes o estén reducidas, o carezcan de experiencia o conocimiento, a menos que dichas personas reciban una supervisión o capacitación para el funcionamiento del aparato por una persona responsable de su seguridad.
3. Se requiere de una estrecha supervisión cuando el aparato se use cerca de niños. Los niños deben supervisarse para asegurar que ellos no empleen los aparatos como juguete.
4. Verifique que el voltaje de su instalación corresponda con el del producto.
5. Para protegerse contra un riesgo de descarga eléctrica, no ponga el cable, enchufe, base o motor en agua o cualquier otro líquido.
6. Desconecte el cable de la toma cuando no esté en uso, antes de poner o quitar partes y antes de limpiar.
7. Evite el contacto con partes móviles.
8. Nunca opere cualquier aparato con un cable o enchufe dañado, o después de un mal funcionamiento, o se caiga o dañe de cualquier manera. Llame a nuestro número gratuito de servicio al cliente para información sobre examinación, reparación o ajuste eléctrico o mecánico.
9. El uso de aditamentos, incluyendo latas, no recomendados o vendidos por el fabricante del aparato pueden causar un riesgo de lesiones personales.
10. No lo use en exteriores.
11. No deje que el cable cuelgue del borde de la mesa o cubierta, o toque superficies calientes, incluyendo la estufa.
12. Mantenga las manos y utensilios fuera de la jarra de licuado mientras se mezcla para reducir el riesgo de lesiones personales severas y/o daños a la licuadora. Se puede usar una espátula de hule pero sólo debe ser usada cuando no esté funcionando la licuadora.
13. Las cuchillas están afiladas; manéjelas con cuidado especialmente cuando ensamble, desensamble o limpie dentro de la jarra de licuado.
14. No use una jarra para licuado rota, estrellada o rajada.
15. No use un conjunto de cuchilla de corte roto, rajado o flojo.
16. Para reducir el riesgo de lesión, nunca coloque el conjunto de cuchilla de corte sobre la base sin que la jarra para licuado o taza moledora esté adecuadamente adherida.
17. Siempre use la licuadora con la tapa en su lugar.
18. No licue líquidos calientes en la jarra para viajes o la taza moledora.
19. Cuando licue líquidos calientes en la jarra de licuado de 32 oz, quite la pieza central de la tapa de dos piezas. Los líquidos calientes pueden empujar la tapa durante el licuado. Para prevenir posibles quemaduras: No llene la jarra de licuado más allá del nivel de 3 tazas (710 ml). Con la protección de guantes de cocina o una toalla gruesa, coloque una mano encima de la tapa. Mantenga la piel expuesta lejos de la tapa. Comience a licuar a una velocidad baja.
20. Asegúrese de que collar de la base de la jarra de licuado, la jarra para viajes y la taza moledora esté fijo y asegurado. Pueden ocurrir lesiones si las cuchillas móviles accidentalmente quedan expuestas.
21. Si la jarra se tuerce o gira cuando el motor se enciende, apáguelo (ON/I) inmediatamente y apriete (OFF/O) la jarra en el collar o en la base de la licuadora.
22. No deje sin atención la licuadora mientras esté funcionando.
23. Antes de enchufar el cable en el tomacorriente, gire el control a OFF (apagado/O). Para desconectar el cable, ponga el control en OFF (apagado/O). Luego remueva el enchufe de la toma de la pared.

23. No use el aparato para otro propósito que no sea para el que fue hecho.

24. No coloque sobre o cerca de una cocina caliente eléctrica o a gas o dentro de un horno caliente.

¡GUARDE ESTAS INSTRUCCIONES!

Otra Información de Seguridad para el Cliente

Este aparato está planeado para uso doméstico. Sólo úselo para alimentos o líquidos.

¡ADVERTENCIA! Peligro de Descarga Eléctrica: Este aparato cuenta con un enchufe polarizado (una pata más ancha) que reduce el riesgo de una descarga eléctrica. El enchufe embona únicamente en una dirección dentro de un tomacorriente polarizado. No trate de obviar el propósito de seguridad del enchufe modificándolo de alguna manera o utilizando un adaptador. Si el enchufe no entra completamente en la toma, invierta el enchufe. Si aún no entra, haga que un electricista reemplace la toma.

El largo del cable que se usa en este aparato fue seleccionado para reducir el peligro de que alguien se enganche o tropiece con un

cable más largo. Si es necesario usar un cable más largo, se podrá usar un cable de extensión aprobado. La clasificación eléctrica nominal del cable de extensión debe ser igual o mayor que la clasificación nominal del aparato. Es importante tener cuidado de colocar el cable de extensión para que no se pliegue sobre el mostrador o la mesera en donde niños puedan tirar del mismo o tropezarse accidentalmente.

Si el conjunto de cuchilla de corte se atora y no se mueve, dañará el motor. No la use. Llame a nuestro número de asistencia al cliente sin costo para información.

No coloque la jarra de licuado en el congelador lleno de comida o líquido. Esto puede resultar en un daño del conjunto de cuchilla de corte, jarra, licuadora y resulte posiblemente en lesiones personales.

Información sobre Watt/Energía Pico

La clasificación del wattaje/amperaje de la licuadora se determina por una prueba de Laboratorio del Suscriptor y está basada en las combinaciones de conjunto de cuchilla de corte, jarra, y accesorios disponibles que pueden no proporcionarse con su unidad, pero están disponibles como partes de reemplazo. Esta es una medida de entrada de watt/amperes después de 30 segundos de operación. La licuadora como se provee puede tomar significativamente menos energía.

La energía pico es la medida del wattaje del motor durante los primeros segundos de operación. Esto es cuando la licuadora

requiere la mayor energía para cortar hielo, fruta congelada, etc. Esta es una mejor medición de lo que un motor de licuadora puede consumir cuando más se requiere energía.

ANTES DE USAR POR PRIMERA VEZ: Después de desempacar la licuadora, lave todo excepto la base de la licuadora en agua caliente jabonosa. Seque completamente. Limpie la base de la licuadora con un paño húmedo o esponja. **NO SUMERJA LA BASE EN AGUA.** Se debe de tener cuidado cuando se manipule el conjunto de cuchilla cortadora ya que está muy afilada.

Partes y Características

*Para ordenar partes:
EE. U.U.: 1.800.851.8900
www.hamiltonbeach.com
México: 01 800 71 16 100

ANTES DE USAR POR PRIMERA VEZ: Después de desempacar la licuadora, siga las instrucciones en "Cuidado y Limpieza".

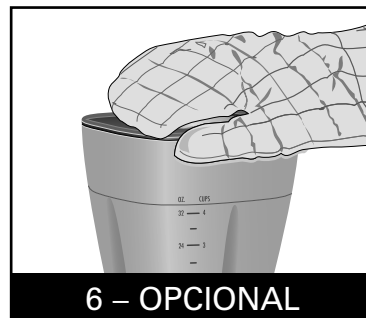
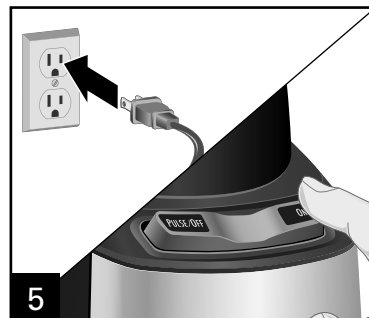
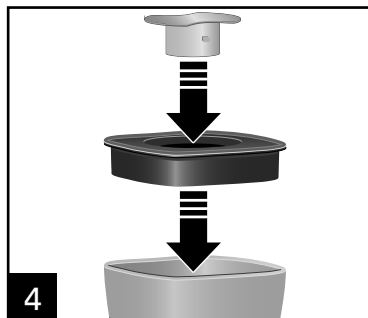
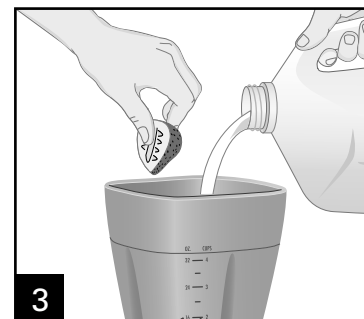
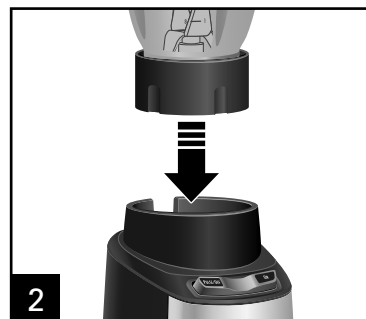
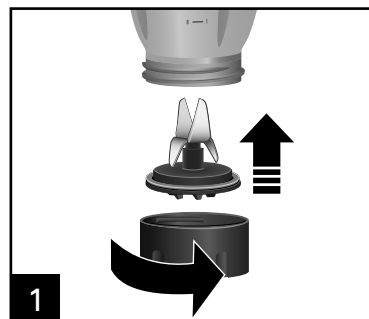
*Accesorio opcional en modelos selectos



27

Cómo Usar la Jarra de Licuado

IMPORTANTE: La jarra de su licuado y el conjunto de cuchilla de corte están sujetos a desgaste durante el uso normal. Siempre inspeccione la jarra por cortes, astillas o rajaduras. Siempre inspeccione el conjunto de cuchilla de corte por cortes, rajaduras o cuchillas sueltas. Si la jarra o el conjunto de cuchilla de corte están dañados, no los use. Llame a nuestro número de servicio al cliente sin costo para obtener piezas de reemplazo.



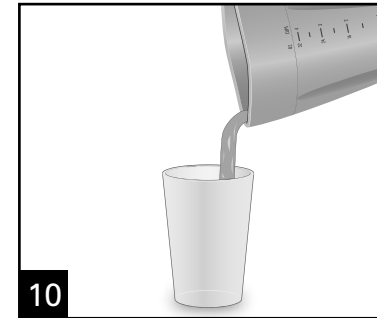
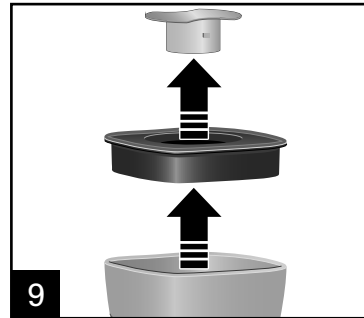
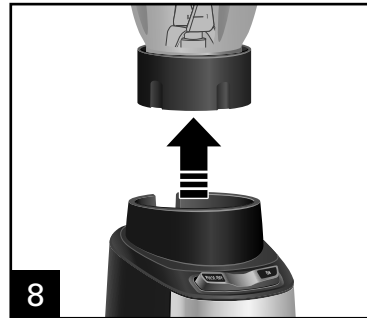
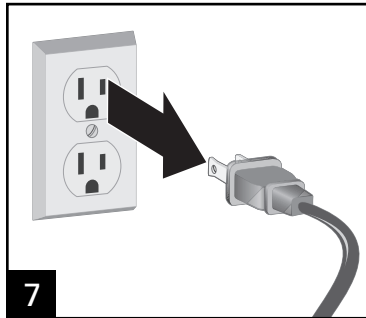
⚠ ADVERTENCIA

Peligro de Laceración.

Maneje las cuchillas cuidadosamente; está muy afilada. Asegúrese de que la unidad esté apagada (OFF/O) y desenchufada.

¡ADVERTENCIA! Peligro de Quemaduras. No licue líquidos calientes en la jarra para viajes o la taza moledora. Cuando licue líquidos calientes, quite la tapa de llenado. Los líquidos calientes pueden empujar la tapa durante el licuado. Para prevenir posibles quemaduras: No llene la jarra de licuado más allá del nivel de 3 tazas (710 ml). Con la protección de guantes de cocina o una toalla gruesa, coloque una mano encima de la tapa. Mantenga la piel expuesta lejos de la tapa. Comience a licuar a una velocidad baja.

Cómo Usar la Jarra de Licuado (cont.)



Consejos Para la Licuadora

- Para agregar alimentos mientras la licuadora está en funcionamiento, quite la tapa de llenado de la tapa del recipiente y agregue los ingredientes a través de la abertura.
- Para un mejor desempeño de la jarra de licuado de 32 oz., la cantidad mínima de líquido necesaria por receta es 1 taza (8 onzas/237 ml). La jarra para viajes de 16 oz. requiere 3/4 taza (177 ml) de líquido por receta para lograr un mejor desempeño. Agregue más líquido si el alimento no se licúa adecuadamente.
- Si la acción de licuado se detiene durante el licuado o los ingredientes se pegan a los lados de la jarra, puede que no haya suficiente líquido en la jarra para licuar efectivamente.
- No intente hacer puré de papa, licuar masa dura, batir claras de huevo, moler carne cruda, o extraer jugos de frutas y verduras.
- No almacene alimentos o líquidos en la jarra de licuado.
- Evite golpear o dejar caer la licuadora cuando esté en funcionamiento o en cualquier momento.

Cómo Usar la Jarra para Viajes

(accessorio opcional en modelos selectos)

⚠ ADVERTENCIA

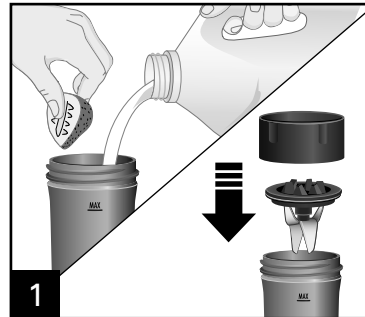
Peligro de Quemaduras.

No licue ingredientes calientes. Puede acumularse presión, lo que provocaría que el vaso se destape de golpe y los ingredientes calientes salgan disparados.

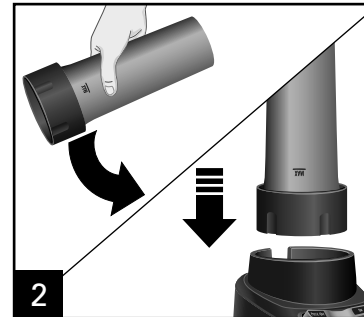
⚠ ADVERTENCIA

Peligro de Laceración.

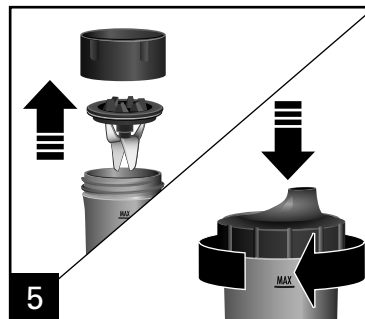
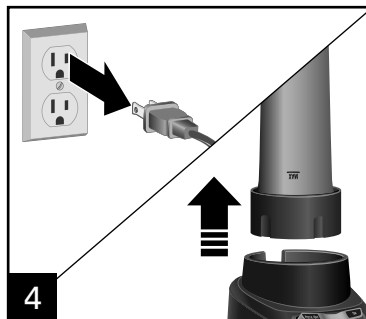
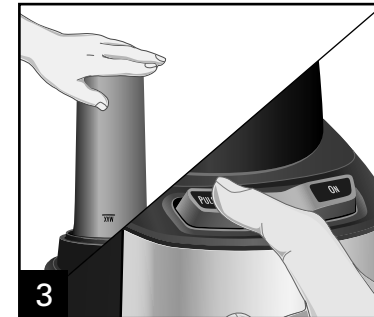
Maneje las cuchillas cuidadosamente; está muy afilada. Asegúrese de que la unidad esté apagada (OFF/O) y desenchufada.



1 Agregue los ingredientes a la jarra para viajes. Con cuidado coloque el montaje de corte y el anillo en la jarra para viajes.



2 Dé vuelta la jarra para viajes y colóquelo sobre la base. Sostenga la jarra en su lugar cuando esté licuando. Enchufe en el tomacorriente. Presione **ON** (encendido/I) o **PULSE** (pulso) para licuar de 15 a 30 segundos o hasta que quede homogéneo. Siempre utilice la unidad sobre un mostrador o otra superficie de apoyo.



3 Dé vuelta, quite el anillo y el montaje de corte de la jarra. Ajuste a mano la tapa para beber en la jarra para viajes.

Consejos de Licuado para la Jarra para Viajes de 16 oz.

- Para un mejor desempeño de la jarra para viajes de 16 oz., la cantidad mínima de líquido necesaria por receta es 3/4 taza (6 onzas/177 ml).
- No pique o procese alimentos duros tales como queso, galletas o carne.
- Si la acción de licuado se detiene o si los ingredientes se pegan a los costados de la vaso, apague (O) la licuadora. Quite el vaso, el anillo y la cuchilla y utilice una espátula de goma angosta para mezclar.
- No procese alimentos o líquidos calientes en la jarra para viajes.
- Trate de no golpear o dejar caer la licuadora.
- Si la licuadora deja de funcionar, desenchúfela y deje pasar 15 minutos antes de volver a usarla. Enchúfela en un tomacorriente para comenzar el licuado.

Cómo Preparar Bebidas

CONSEJOS PARA MEJORES RESULTADOS:

- Siempre coloque primero el líquido en la jarra de licuado; luego los ingredientes restantes.
- Si los trozos de fruta helados o congelados no se licuan, detenga la licuadora y PULSE algunas veces.

TIPO DE BEBIDA	INGREDIENTES (32 oz.)	INGREDIENTES (16 oz.)	CONFIGURACIÓN DE LICUADORA/TIEMPO
Smoothie de Fruta	1 1/2 tazas (355 ml) de leche 2 tazas (473 ml) de yogurt 2 1/2 tazas (591 ml) de bayas congeladas u otra fruta Rendimiento: 4 a 5	3/4 taza (177 ml) de leche 3/4 taza (177 ml) de yogurt 1 taza (237 ml) de bayas congeladas u otra fruta Rendimiento: 1 a 2	Presione PULSE (pulso) por 15 segundos. Presione ON (encendido/I) y licue hasta que quede bien mezclado.
Batido de Leche	1 3/4 tazas (414 ml) de leche 4 cucharadas grandes de helado 1/4 taza (59 ml) de jarabe saborizado Rendimiento: 4 a 5	1 taza (237 ml) de leche 2 cucharadas grandes de helado 2 a 3 cucharada (30 a 44 ml) de jarabe saborizado Rendimiento: 1 a 2	Presione ON (encendido/I) y licue hasta que quede bien mezclado.
Bebida Congelada	2 tazas (473 ml) de mezcla para bebidas, como mezcla de Piña Colada 4 oz. (118 ml) de bebida alcohólica, si así lo desea 20 cubitos de hielo Rendimiento: 4 a 5	1 taza (237 ml) de mezcla para bebidas, como mezcla de Piña Colada 2 oz. (59 ml) de bebida alcohólica, si así lo desea 10 cubitos de hielo Rendimiento: 2 a 3	Presione PULSE (pulso) por 30 segundos. Presione ON (encendido/I) y licue hasta que quede bien mezclado.

Cómo Moler Alimentos

CONSEJOS PARA MEJORES RESULTADOS:

- Presione **PULSE** hasta que los alimentos alcancen la textura deseada.
- El queso parmesano y otros quesos duros deben permanecer refrigerados antes de efectuar el licuado.

ALIMENTO	CANTIDAD MÁX EN LA TAZA MOLEDORA	PRÉPARATION
Queso Parmesano	4 oz. (113 g)	Trozos 1/2 pulg. (1.3 cm)
Nueces	1/2 taza (118 ml)	Ninguna
Galletas Dulces o Saladas en Trocitos	1/2 taza (118 ml)	Romper en trozos
Granos de Café	1/2 taza (118 ml)	Ninguna

31

Cómo Usar la Taza Moledora

(accessorio opcional en modelos selectos)

⚠ ADVERTENCIA

Peligro de Laceración.

Verifique que la unidad esté OFF (apagado/O) y desenchufada antes de colocar la taza moledora. No enchufe ni encienda la unidad hasta que la taza se halle bien instalada en la base.

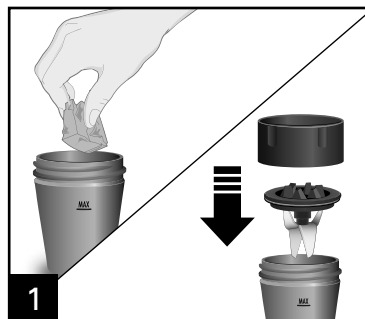
Siempre OFF (apagado/O), desenchufe y espere a que la cuchilla deje de girar antes de quitarla de la base. Maneje las cuchillas cuidadosamente; está muy afilada.

⚠ ADVERTENCIA

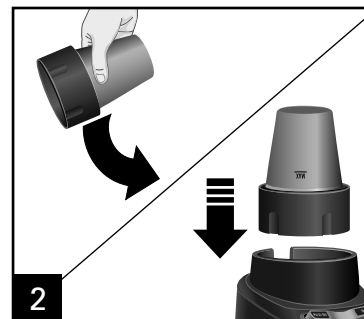
Peligro de Quemaduras.

No licue ingredientes calientes. Puede acumularse presión, lo que provocaría que el vaso se destape de golpe y los ingredientes calientes salgan disparados.

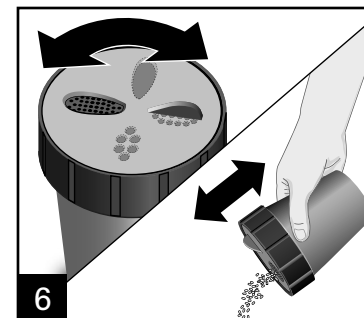
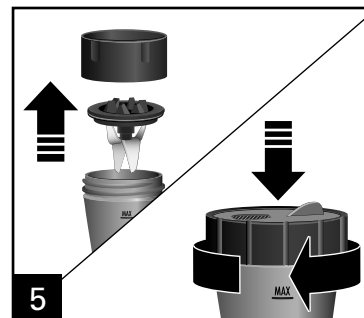
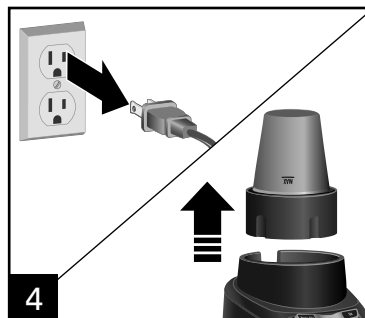
NOTA: No licúe ingredientes líquidos en la taza modelora de 8 oz (237 ml).



1 Agregue los ingredientes (no más de 1/2 taza o hasta la línea de llenado MAX) a la taza moledora. Con cuidado coloque el montaje de corte y el anillo en la taza.



2 Dé vuelta la taza para viajes y colóquelo sobre la base. Sostenga la taza en su lugar cuando esté licuando. Enchufe en el tomacorriente. Presione **ON** (encendido/I) o **PULSE** (pulso) para picar. Siempre utilice la unidad sobre un mostrador o otra superficie de apoyo.



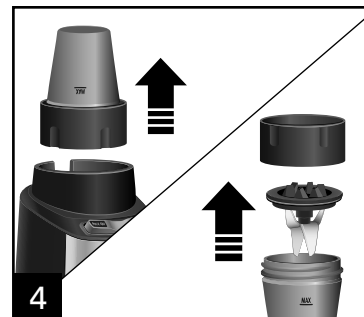
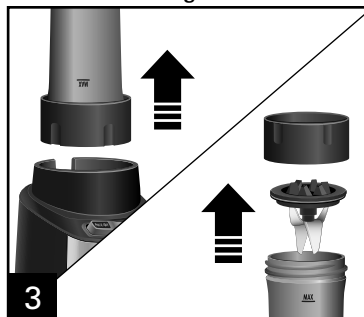
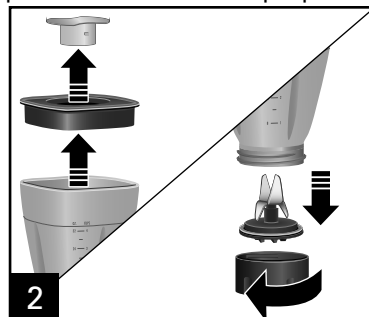
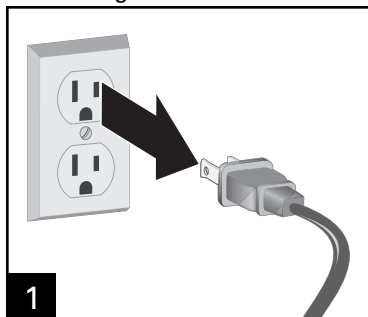
3 Dé vuelta, quite el anillo y el montaje de corte de la taza. Ajuste a mano la tapa de mezclador/almacenamiento en la taza. Gire la parte superior de la tapa hasta alcanzar el tamaño de orificio deseado. Agite para servir.

Cuidado y Limpieza

⚠️ ADVERTENCIA Peligro de Descarga Eléctrica.

Desconecte la energía antes de limpiar. No sumerja el cable, el enchufe, base o motor en agua u otro líquido.

NOTA: Algunos de los accesorios opcionales se muestran que puede ser incluido con algunos modelos.



Limpie la base de la licuadora, el panel de control y el cable con un paño húmedo o esponja. Para remover las manchas tercas, use un limpiador suave no abrasivo.



No utilice la configuración "SANI" cuando la lave en el lavavajillas. Las temperaturas del ciclo "SANI" pueden dañar su producto. Las piezas también pueden lavarse con agua caliente jabonosa. Se debe de tener cuidado cuando se manipule el conjunto de cuchilla de corte ya que está muy afilada. Enjuague y seque completamente. No empape.

LIMPIEZA SENCILLA: Para limpiar la unidad de manera sencilla, vierta 2 tazas (473 ml) de agua tibia en la jarra de 32 oz. y agregue 1 gota de detergente líquido para vajillas. Presione ON (encendido/1) y licue durante 10 segundos. Elimine el agua jabonosa. Enjuague con agua limpia. Para efectuar una limpieza sencilla de la jarra para viajes y de la taza moledora, repita las instrucciones anteriores, pero reduzca el agua tibia a 3/4 taza (177 ml).

Esto no es un reemplazo de la limpieza regular señalada en "Cuidado y Limpieza".

La limpieza sencilla sólo debe utilizarse para enjuagar la licuadora entre tandas de preparación del mismo alimento. Cuando se haya finalizado la preparación de una clase única de alimentos, la licuadora debe desarmarse y limpiarse a fondo siguiendo las instrucciones de "Cuidado y Limpieza".

Recetas para la Jarra de Licuado de 32 oz.

Smoothie de Tres Bayas

1/2 taza (118 ml) de jugo de arándano-frambuesa
1 taza (237 ml) de frutillas frescas sin cabito
1 taza (237 ml) de frambuesas frescas
1/2 taza (118 ml) de arándanos frescos
1/2 taza (118 ml) de yogurt de vainilla
10 cubitos de hielo

Instrucciones:

1. Coloque los ingredientes en la jarra de licuado en el orden listado.
2. Cubra y mezcle que quede homogéneo.

CONSEJO DE COCINA: Pruebe diferentes combinaciones de bayas y jugos frescos para preparar nuevos sabores de smoothies.

Rendimiento: 4

Smoothie de Mango

1/2 taza (118 ml) de jugo de naranja fresco
1/2 taza (118 ml) de yogurt de durazno
2 cucharadas (30 ml) de miel
1 taza (237 ml) de mango fresco
3-4 cubitos de hielo

Instrucciones:

1. Coloque los ingredientes en la jarra de licuado en el orden listado.
2. Cubra y mezcle que quede homogéneo.

*Siempre coloque primero los ingredientes líquidos en la licuadora.

Rendimiento: 2-4

Milkshake de Vainilla con Agregados

3/4 taza (177 ml) de leche
3 cucharadas grandes de helado de vainilla
1/4 taza (59 ml) de golosinas o galletas trituradas (opcional)

Instrucciones:

1. Coloque los ingredientes en la jarra de licuado en el orden listado.
2. Cubra y mezcle que quede homogéneo.

CONSEJOS DE COCINA:

- Siempre coloque primero los ingredientes líquidos en la licuadora.
- Para mejores resultados, triture golosinas o galletas antes de agregarlos al milkshake. Cuando el milkshake esté licuado, vierta golosinas o galletas trituradas por encima y presione PULSE 3 a 4 veces para mezclar.

Rendimiento: 2-3

Salsa Fresca y Picante

1 cebolla pelada y en cuartos	1/4 taza (59 ml) de cilantro
1 diente de ajo	1 cucharada (15 ml) de jugo de lima
1 pimiento jalapeño sin tallo	1/2 cucharadita (2.5 ml) de comino
4 tomates pequeños en cuartos	Sal y pimienta a gusto

Instrucciones:

1. Coloque la cebolla, el ajo y el pimiento en la licuadora. Cubra y presione PULSE (pulso) hasta que quede bien picado. Mezcle según sea necesario. Detenga la licuadora.
2. Agregue los tomates, el cilantro, el jugo de lima, el comino, sal y pimienta. Cubra y presione PULSE hasta alcanzar la textura deseada, mezclando según sea necesario.

Rendimiento: 6-8



Grupo HB PS, S.A. de C.V.
Monte Elbruz 124-301
Colonia Palmitas, Delegación Miguel Hidalgo
C.P. 11560, México, Distrito Federal
01 800 71 16 100

PÓLIZA DE GARANTÍA

PRODUCTO:

MARCA:

MODELO:

Grupo HB PS, S.A. de C.V. cuenta con una Red de Centros de Servicio Autorizada, por favor consulte en la lista anexa el nombre y dirección de los establecimientos en la República Mexicana en donde usted podrá hacer efectiva la garantía, obtener partes, componentes, consumibles y accesorios; así como también obtener servicio para productos fuera de garantía. Para mayor información llame sin costo: **Centro de Atención al consumidor: 01 800 71 16 100**

Grupo HB PS, S.A. de C.V. le otorga a partir de la fecha de compra:
GARANTÍA DE 3 AÑOS.

COBERTURA

- Esta garantía ampara, todas las piezas y componentes del producto que resulten con defecto de fabricación incluyendo la mano de obra.
- Grupo HB PS, S.A. de C.V. se obliga a reemplazar, reparar o reponer, cualquier pieza o componente defectuoso; proporcionar la mano de obra necesaria para su diagnóstico y reparación, todo lo anterior sin costo adicional para el consumidor.
- Esta garantía incluye los gastos de transportación del producto que deriven de su cumplimiento dentro de su red de servicio.

LIMITACIONES

- Esta garantía no ampara el reemplazo de piezas deterioradas por uso o por desgaste normal, como son: cuchillas, vasos, jarras, filtros, etc.
- Grupo HB PS, S.A. de C.V. no se hace responsable por los accidentes producidos a consecuencia de una instalación eléctrica defectuosa, ausencia de toma de tierra, clavija de enchufe en mal estado, etc.

EXCEPCIONES

Esta garantía no será efectiva en los siguientes casos:

- a) Cuando el producto se hubiese utilizado en condiciones distintas a las normales. (Uso industrial, semi-industrial o comercial.)
- b) Cuando el producto no hubiese sido operado de acuerdo con el instructivo de uso.
- c) Cuando el producto hubiese sido alterado o reparado por personas no autorizadas por Grupo HB PS, S.A. de C.V. el fabricante nacional, importador o comercializador responsable respectivo.

El consumidor puede solicitar que se haga efectiva la garantía ante la propia casa comercial donde adquirió su producto, siempre y cuando Grupo HB PS, S.A. de C.V. no cuente con talleres de servicio.

PROCEDIMIENTO PARA HACER EFECTIVA LA GARANTÍA

- Para hacer efectiva la garantía no deben exigirse mayores requisitos que la presentación del producto y la póliza correspondiente, debidamente sellada por el establecimiento que lo vendió.
- Para hacer efectiva la garantía, lleve su aparato al Centro de Servicio Autorizado más cercano a su domicilio (consulte la lista anexa).
- Si no existe Centro de Servicio Autorizado en su localidad llame a nuestro Centro de Atención al Consumidor para recibir instrucciones de como hacer efectiva su garantía.
- El tiempo de reparación, en ningún caso será mayor de 30 días naturales contados a partir de la fecha de recepción del producto en nuestros Centros de Servicio Autorizados.
- En caso de que el producto haya sido reparado o sometido a mantenimiento y el mismo presente deficiencias imputables al autor de la reparación o del mantenimiento dentro de los treinta días naturales posteriores a la entrega del producto al consumidor, éste tendrá derecho a que sea reparado o mantenido de nuevo sin costo alguno. Si el plazo de la garantía es superior a los treinta días naturales, se estará a dicho plazo.
- El tiempo que duren las reparaciones efectuadas al amparo de la garantía no es computable dentro del plazo de la misma. Cuando el bien haya sido reparado se iniciará la garantía respecto de las piezas repuestas y continuará con relación al resto. En el caso de reposición del bien deberá renovarse el plazo de la garantía.

FECHA DE ENTREGA	SELLO DEL VENDEDOR	QUEJAS Y SUGERENCIAS
DÍA__ MES__ AÑO__		Si desea hacer comentarios o sugerencias con respecto a nuestro servicio o tiene alguna queja derivada de la atención recibida en alguno de nuestros Centros de Servicio Autorizados, por favor dirigirse a: GERENCIA INTERNACIONAL DE SERVICIO 01 800 71 16 100 Email: mexico.service@hamiltonbeach.com.mx

RED DE CENTROS DE SERVICIO AUTORIZADA GRUPO HB PS, S.A. DE C.V.

Distrito Federal

ELECTRODOMÉSTICOS
 Av. Plutarco Elias Cailles No. 1499
 Zacahuitzco MEXICO 09490 D.F.
 Tel: 01 55 5235 2323 • Fax: 01 55 5243 1397

CASA GARCIA
 Av. Patriotismo No. 875-B
 Mixcoac MEXICO 03910 D.F.
 Tel: 01 55 5563 8723 • Fax: 01 55 5615 1856

Nuevo Leon

FERNANDO SEPULVEDA REFACCIONES
 Ruperto Martínez No. 238 Ote.
 Centro MONTERREY, 64000 N.L.
 Tel: 01 81 8343 6700 • Fax: 01 81 8344 0486

Jalisco

SERVICIOS DE MANTENIMIENTO CASTILLO
 Garibaldi No. 1450
 Ladrón de Guevara
 GUADALAJARA 44660 Jal.
 Tel: 01 33 3825 3480 • Fax: 01 33 3826 1914

Chihuahua

DISTRIBUIDORA TURMIX
 Av. Paseo Triunfo de la Rep. No. 5289 Local 2 A.
 Int. Hipermart
 Alamos de San Lorenzo
 CD. JUAREZ 32340 Chih.
 Tel: 01 656 617 8030 • Fax: 01 656 617 8030

Modelos: 52400, 52401	Tipo: B78	Características Eléctricas: 120 V~ 60 Hz 250 W
<p>Los modelos incluidos en el instructivo de Uso y Cuidado pueden ir seguidos o no por un sufijo correspondiente a una o varias letras del alfabeto y sus combinaciones, separadas o no por un espacio, coma, diagonal, o guión. Como ejemplos los sufijos pueden ser: "Y" y/o "MX" y/o "MXY" y/o "Z".</p>		

840250901

8/14