

READ BEFORE USE

使用前阅读

Visit www.hamiltonbeach.cn for our complete line of products and Use and Care Guides – as well as delicious recipes, tips, and to register your product online!

有关我们所有系列产品的，使用与维护指南 – 以及美味食谱、生活小贴士和产品在线注册的更多信息，请访问 www.hamiltonbeach.cn。

Questions?

Please call us – our friendly associates are ready to help.
China: 400-852-2655

如有疑问?

请致电我们，我们的团队随时准备为您提供帮助。
中国大陆免费客服热线：
400-852-2655

官方网站：www.hamiltonbeach.cn

型号：40795-CN
40796-CN
40797-CN
40798-CN
40998-CN

此说明书中图片仅供参考，
产品以实物为准。

使用本设备前，我们建议您仔细阅读这些说明。

Hamilton 汉美驰 Beach®

Electric Kettle 电水壶



English 2
简体中文 6

IMPORTANT SAFEGUARDS

When using electrical appliances, basic safety precautions should always be followed to reduce the risk of fire, electric shock, and/or injury to persons, including the following:

1. Read all instructions.
2. This appliance is not intended for use by persons (including children) with reduced physical, sensory, or mental capabilities, or lack of experience and knowledge, unless they are closely supervised and instructed concerning use of the appliance by a person responsible for their safety.
3. Close supervision is necessary when any appliance is used by or near children. Children should be supervised to ensure that they do not play with the appliance.
4. Do not touch hot surfaces or hot water. Use handles or knobs. Care must be taken since burns can occur from touching hot parts or from spilled hot liquid.
5. To protect against fire, electric shock, and personal injury, do not immerse cord, plug, power base, or electric kettle in water or other liquid.
6. Unplug from outlet when not in use and before cleaning. Allow to cool before putting on or taking off parts and before cleaning.
7. Do not operate any appliance with a damaged cord or plug, or after the appliance malfunctions or is dropped or damaged in any manner. Call our toll-free customer service number for information on examination, repair, or adjustment.
8. The use of accessory attachments not recommended by the manufacturer may result in fire, electrical shock, or personal injury.
9. Do not use outdoors.
10. Do not let cord hang over edge of table or counter, or touch hot surfaces, including the stove.
11. Do not place electric kettle on or near a hot gas or electric burner or in a heated oven.
12. To disconnect electric kettle, turn any control to OFF (O) and then remove plug from wall outlet. Never pull on cord as this may damage the cord and eventually cause electric shock.
13. Do not use appliance for other than intended use.
14. Do not use for other than heating water. Other liquids or food will contaminate the interior and void warranty.
15. Do not allow kettle to boil dry.
16. To avoid circuit overload, do not operate another high-wattage appliance on the same circuit.
17. Scalding may occur if the lid is opened during the heating cycle.
18. **CAUTION:** In order to avoid a hazard due to inadvertent resetting of the thermal cut-out, this appliance must not be supplied through an external switching device, such as a timer, or connected to a circuit that is regularly switched on and off by the utility.

SAVE THESE INSTRUCTIONS!

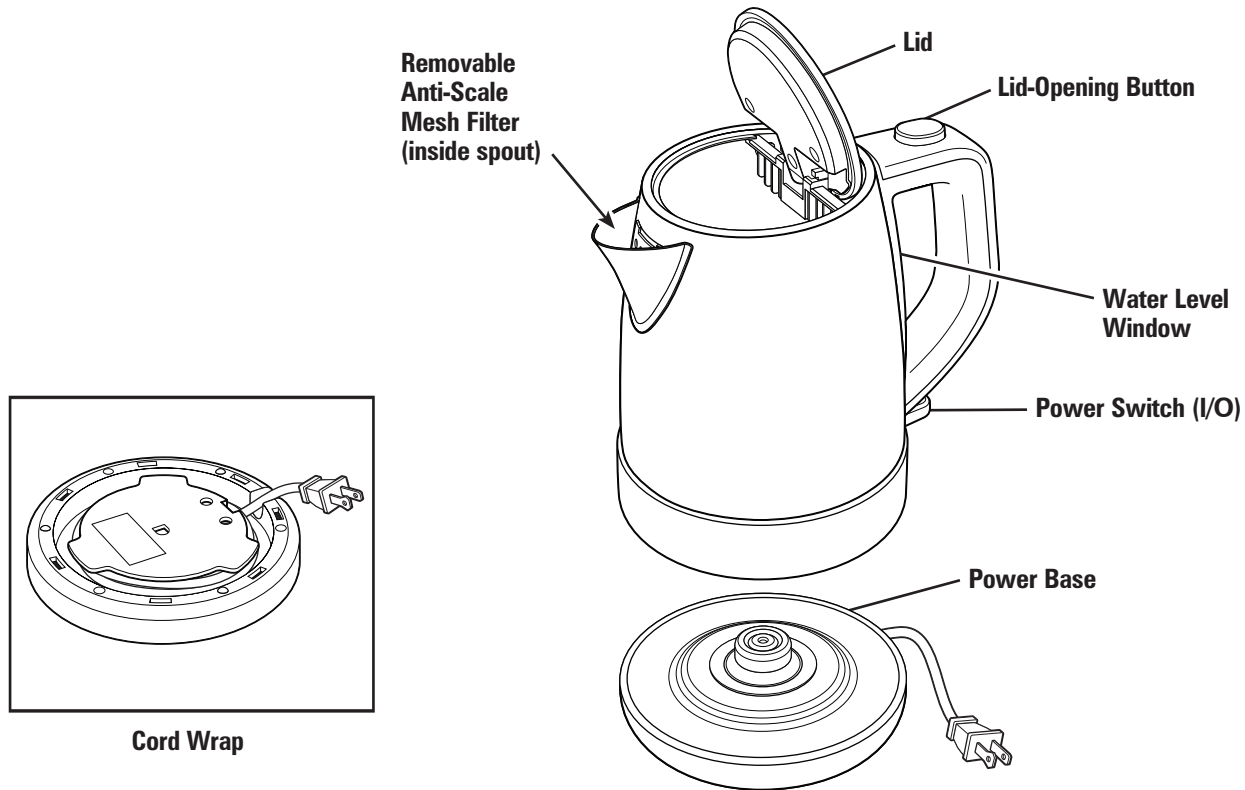
Other Consumer Safety Information

This appliance is intended for household use only.

The length of the cord used on this appliance was selected to reduce the hazards of becoming tangled in or tripping over a longer cord. If a longer cord is necessary, an approved extension cord may be used. The electrical rating of the extension cord must be equal to

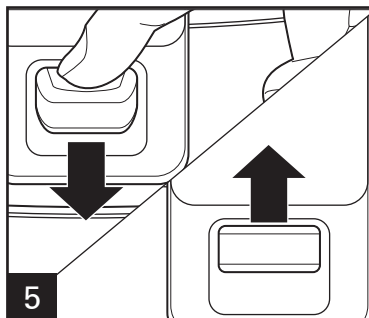
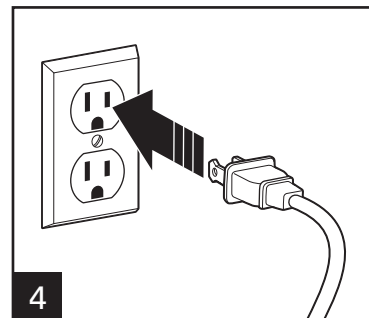
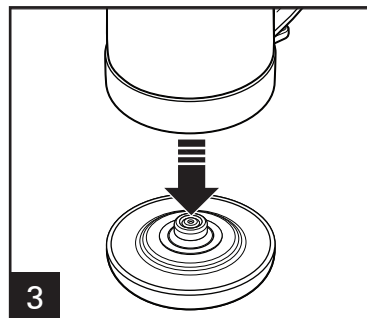
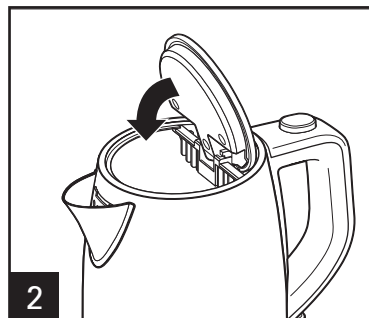
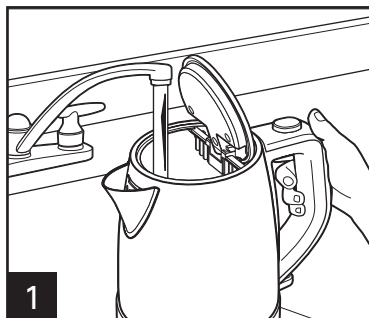
or greater than the rating of the appliance. If the appliance is of the grounding type, the extension cord should be a grounding-type, 3-wire cord. Care must be taken to arrange the extension cord so that it will not drape over the countertop or tabletop where it can be pulled on by children or accidentally tripped over.

Parts and Features

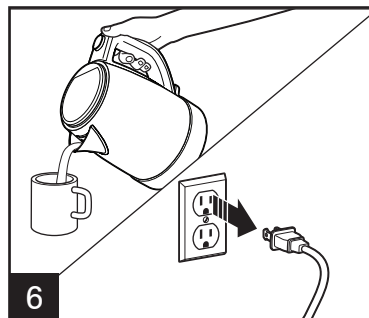


How to Use the Kettle

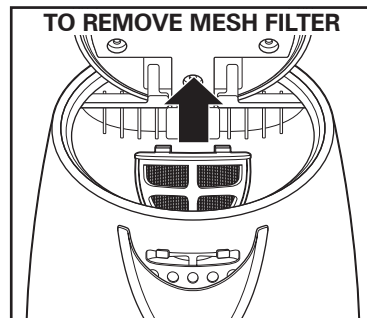
⚠ WARNING Burn Hazard.
Do not overfill kettle. Boiling water may spit out of the spout.



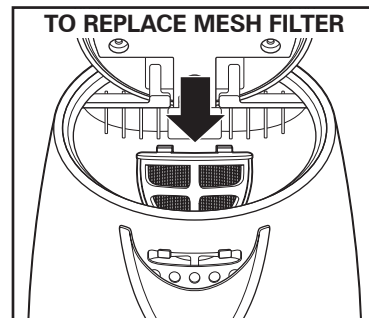
Kettle will automatically shut off when water has boiled.



NOTE: Only use kettle to heat water. If kettle is used to heat other liquids, such as coffee or tea, the warranty will be voided.



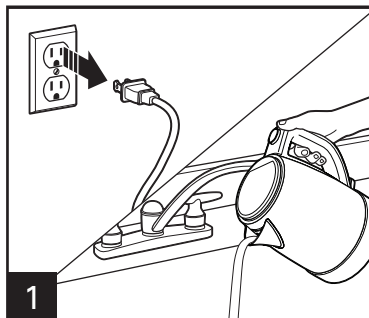
The mesh filter is visible through the kettle lid opening. Pull upwards on the tab to remove. Rinse filter periodically.



To replace, slide the filter back into the slots and snap into place. The filter will fit only one way.

⚠ WARNING Burn Hazard.
Allow kettle to cool before attempting to remove mesh filter.

Care and Cleaning



1 To avoid scale/lime deposit buildup, empty kettle after each use.



2 Wipe the exterior of kettle with a damp cloth. Do not use abrasive scouring pads or powders since they may scratch the smooth surface of the kettle.

To remove discoloration or scale/lime deposit from heating element: Place 1/2 teaspoon cream of tartar (available in the spice aisle of grocery store) into the kettle. Then fill the kettle 1/2 full with water. Plug in, turn ON (I), and bring to boil. Turn OFF (O), let cool, and rinse several times with clean tap water.

⚠ WARNING Electrical Shock Hazard.

Do not immerse kettle, power base, or plug in water or other liquid.

If Kettle Floor Discolors: It is normal for stainless steel heating elements to discolor. This does not affect the performance of the kettle. Do not use abrasive scouring pads or cleaners since this may damage the stainless steel surface.

If Kettle Boils Dry: The heating element is protected by two automatic safety devices. If your kettle is accidentally switched on without being filled with water, or is allowed to boil dry, the kettle will automatically switch off. You should:

- Turn the switch to OFF (O), unplug, and wait about 20 minutes for the element to cool down.
- Refill the kettle; then use as normal and check that the kettle functions correctly.

If Kettle Does Not Work: Make these simple checks before calling the toll-free customer assistance number:

- Have you turned power switch to ON (I) position?
- If the kettle heats but does not boil, it might need descaling.
- Has the kettle been switched on accidentally without being filled with water or allowed to boil dry? Turn the switch to OFF (O), wait 20 minutes, and try again.
- Is cord firmly plugged into the outlet and kettle firmly seated in the base?

Anti-Scale Mesh Filter: Scale is caused by lime and calcium in hard water. The mesh filter will prevent these suspended particles from being poured out of the kettle. The filter should be cleaned periodically to ensure optimum performance. To clean the filter, unplug kettle and allow to cool. The mesh filter may be removed by pulling upwards on the tab, which is visible through the kettle opening. Rinse filter under running water and brush with a soft brush. A small, soft-bristle brush works well. To replace the mesh filter, slide the filter back into the slots and snap into place. The filter will fit only one way.

重要安全说明

当使用电器时，应始终遵守基本的安全防范措施，以减少火灾、触电和/或人身伤害的风险，包括以下内容：

1. 阅读所有相关说明。
2. 本电器不适合以下人群（包括儿童）使用：行动不便者、精神或智商缺陷者、缺少经验和常识者，除非他们在监督和指导下使用，以确保安全。
3. 使用或在儿童附近使用该设备时，一定要密切监督。请勿将本电器用于儿童玩耍。
4. 请勿接触发热表面或热水。请使用把手或者旋钮。触摸烫热部件或溢出的热液体会导致灼伤，所以必须小心。
5. 为防止火灾、电击和人身伤害，请勿将电源线、插头、底座或电热水壶浸入水中或其他液体中。
6. 不使用与清洁时，请拔下电源插头。拆装部件前以及清洁前，必须让设备冷却。
7. 在下列情况下，请勿使用设备：电源线或插头破损、设备出现故障、设备曾跌落或已经出现任何形式的损坏。请拨打我们的免费售后服务电话，咨询有关电器检查、修理或调整的相关信息。如果电源软线损坏，为了避免危险，必须由制造商、其维修部或类似部门的专业人员更换。
8. 使用非设备制造商推荐的配套附件可能会导致火灾、电击或人身伤害。
9. 请勿户外使用。
10. 请勿将电源线搭置在桌台边缘上以及与发热表面接触，包括电炉。
11. 请勿将电热水壶靠近或放置在燃气或电炉上，或放进加热烤箱内。
12. 断开电源前，将所有的控制器调整到关 (O) 位置，然后从电源插座上拔下插头。从插座上拔下插头时，禁止直接拉拽电源线，否则会损坏电源线、甚至导致电击。
13. 请勿将设备用作其他非预期用途。
14. 除水外，请勿加热其他物质。其他液体或食物会损坏设备内部，并致使保修无效。
15. 请勿干烧热水壶。
16. 为防止电路过载，请勿在此电器的同一电路上使用其他高功率电器。
17. 加热过程中如果打开壶盖，有烫伤的危险。
18. **小心：**为了避免由于热熔断路器意外重置导致危险，本电器不能在外接定时器或独立的遥控控制系统的方式下运行。

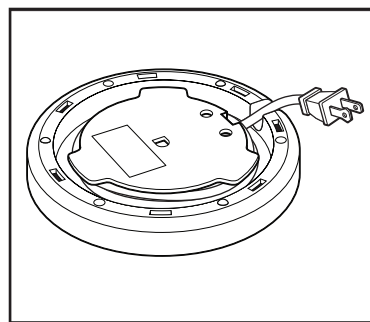
请妥善保管这些说明！ 其他用户安全信息

本产品建议家庭使用。

本设备电源线的长度设计考虑减少长电源线缠绕或绊倒的危险。倘若需要更长的电源线，可使用有认证的电源延长线。电源延长线的额定功率必须等于或大于此设备的额定功率。如果该设备配有接地型电源

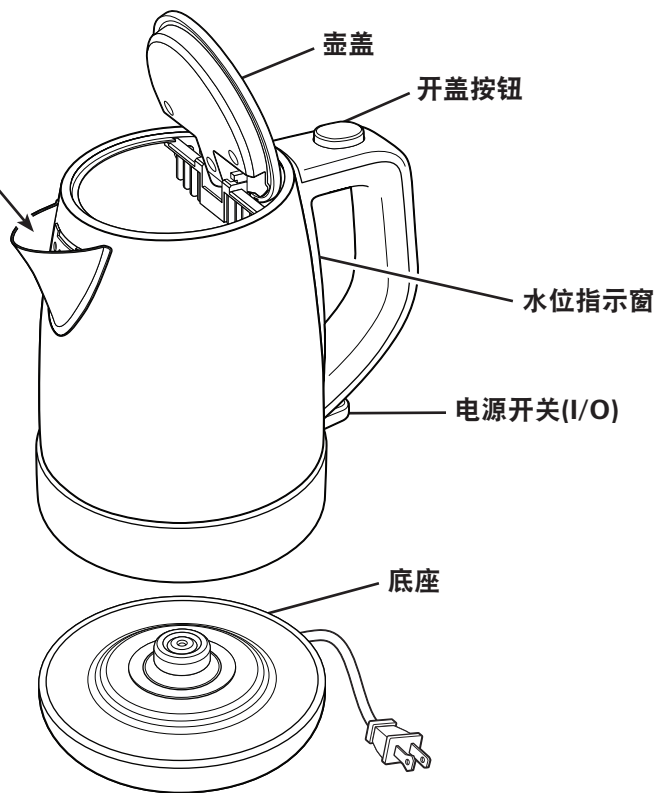
线，电源延长线也必须使用接地型3相电源线。电源延长线使用时需特别注意，以防将其搭设在工作台或桌面上，造成儿童扯拉或绊倒他人。

部件和功能



储线盘

可拆卸式防垢过滤网
(壶嘴内)



壶盖

开盖按钮

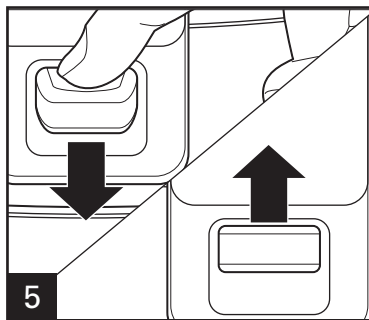
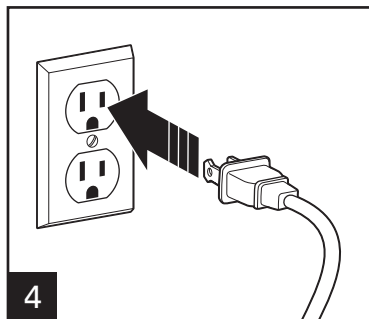
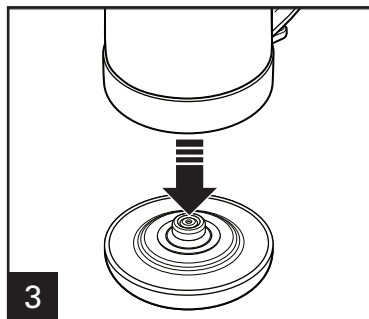
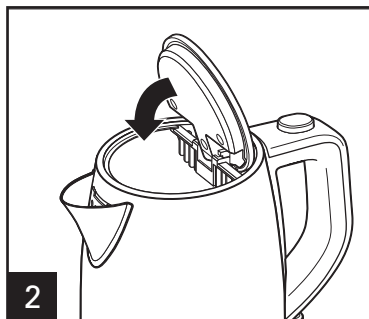
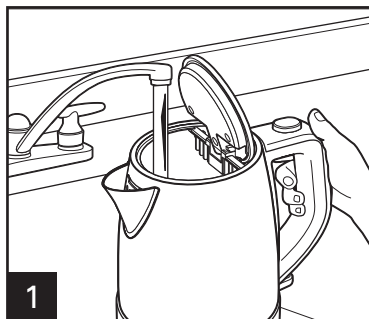
水位指示窗

电源开关(I/O)

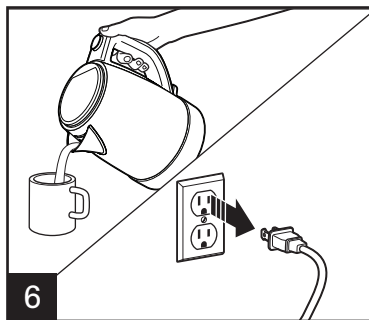
底座

如何使用电水壶

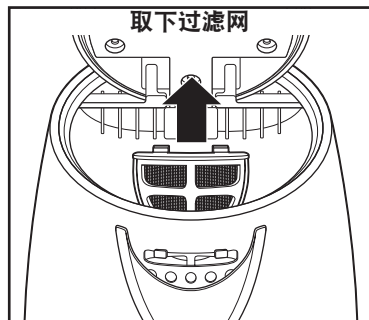
警告 烫伤危险。
请勿加水过量。沸水可能会从壶嘴喷出。



当水沸腾时，电水壶将自动断电。



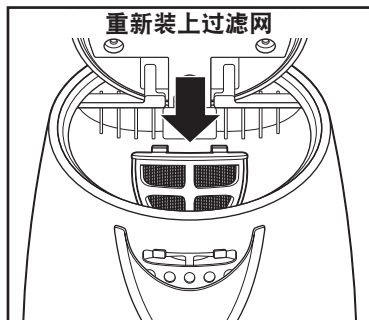
注意：仅可使用电水壶加热水。如果电水壶用于加热其他液体，例如咖啡、牛奶或茶，保修将无效。



壶盖打开后能看到过滤网。拉住凸出的边缘往上提，即可取出。定期冲洗过滤网。

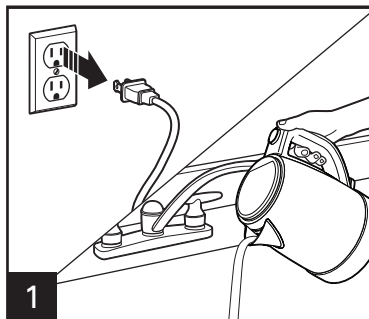
警告 烫伤危险。

取下过滤网前，应让电水壶冷却。



要重新装上过滤网，将过滤器沿槽口滑入，确保凸出边缘朝里。过滤网只有一个方向契合。

保养与清洗



为了避免结垢/沉积物累积，每次使用后请倒空电水壶。



请使用湿布擦拭电水壶外部。请勿使用磨砂清洁布或带腐蚀性的粉，避免刮花电水壶的光滑表面。

要除去发热元件上的污痕或水垢：在电水壶中放入1/2茶匙白醋（一般商店都有售）。然后向电水壶中倒入半壶水。插上电源，开启（I）电水壶，直到沸腾。关闭（O）电水壶，并将其冷却，再使用清洁的自来水冲洗多次。

警告 电击危险。

请勿将电水壶、电源底座或插头浸入水或其他液体中。

如果电水壶元件褪色：加热元件褪色属于正常现象。这不影响电水壶的性能。请勿使用磨砂清洁布或带腐蚀性的清洁剂，因为它们会破坏电水壶的不锈钢表面。

如果电水壶烧干：加热元件由两个自动安全设备保护。如果您的电水壶在未加水的时被意外开启或水被烧干，电水壶将自动断电。您应该：

- 关闭开关（O），拔下电源插头，然后等到约20分钟让加热原件冷却。
- 重新给电水壶加水；然后正常使用并检查电水壶的功能是否正常。

如果电水壶不工作：在致电免费客户服务电话前，请做如下简单的检查：

- 是否已将电源开关切换到ON（I）位置？
- 如果电水壶可以加热但不能将水煮沸，可能需要除垢。
- 是否电水壶在未加水时被意外开启或水被烧干？将电源开关切换到OFF（O）位置，等待20分钟，然后再试。
- 电源线是否牢固地插入插座，并且电水壶是否正确放置在电源底座上？

防垢过滤网：结垢是由硬水中的石灰和钙所导致。防垢过滤网可以防止这些悬浮颗粒从电水壶中倒出。过滤网应定期清洁以确保最佳的性能。要清洁过滤网，请拔下电水壶的电源插头并让其冷却。壶盖打开后可看到过滤网，拉住过滤网凸出的边缘可取下过滤网。在自来水下冲洗过滤网并可以使用软刷或干净的牙刷来刷洗。要重新装上过滤网，将过滤器沿槽口滑入，确保凸出边缘朝里。过滤网只在一个方向契合。

Model/型号:

40795-CN

40796-CN

40797-CN

40798-CN

40998-CN

Type/类别:

K46

Capacity/容积:

1.0升

Rating/规格:

220-240V, 50/60Hz, 1500W

Dist.: Hamilton Beach Brands, Inc., Glen Allen, VA 23060

© 2015 Hamilton Beach Brands, Inc.

以上内容如有改动，恕不预先通知



添加官方微博 微信
开启美食人生

840257400