

**READ BEFORE USE  
LIRE AVANT UTILISATION  
LEA ANTES DE USAR**

Visit [www.hamiltonbeach.com](http://www.hamiltonbeach.com) for our complete line of products and Use and Care Guides – as well as delicious recipes, tips, and to register your product online!

Rendez-vous sur [www.hamiltonbeach.ca](http://www.hamiltonbeach.ca) pour notre liste complète de produits et de nos manuels utilisateur – ainsi que nos délicieuses recettes et nos conseils !

¡Visite [www.hamiltonbeach.com](http://www.hamiltonbeach.com) (EE. UU.) o [www.hamiltonbeach.com.mx](http://www.hamiltonbeach.com.mx) (México) para ver otros productos de Hamilton Beach o para contactarnos!

**Questions?**  
Please call us – our friendly associates are ready to help.  
USA: 1.800.851.8900

**Questions ?**  
N'hésitez pas à nous appeler – nos associés s'empresseront de vous aider.  
CAN : 1.800.267.2826

**¿Preguntas?**  
Por favor llámenos – nuestros amables representantes están listos para ayudar.  
EE. UU.: 1.800.851.8900  
MEX: 01 800 71 16 100  
*Le invitamos a leer cuidadosamente este instructivo antes de usar su aparato.*



Stand Mixer  
Batteur  
sur socle  
Batidora de  
Pedestal

English .....	2
Français .....	17
Español .....	32

## IMPORTANT SAFEGUARDS

When using electrical appliances, basic safety precautions should always be followed to reduce the risk of fire, electric shock, and/or injury to persons, including the following:

1. Read all instructions.
2. This appliance is not intended for use by persons (including children) with reduced physical, sensory, or mental capabilities, or lack of experience and knowledge, unless they are closely supervised and instructed concerning use of the appliance by a person responsible for their safety.
3. Close supervision is necessary when any appliance is used by or near children. Children should be supervised to ensure that they do not play with the appliance.
4. To protect against risk of electric shock, do not put cord, plug, or mixer body in water or other liquid.
5. Unplug from outlet when not in use, before putting on or taking off parts, and before cleaning.
6. Avoid contacting moving parts. Keep hands, hair, and clothing, as well as spatulas and other utensils, away from attachments during operation to reduce risk of injury to persons and/or damage to mixer.
7. Remove attachments from mixer before washing.
8. Do not let cord hang over edge of table or counter or touch hot surfaces, including stove.
9. Do not operate any appliance with a damaged supply cord or plug, or after the appliance malfunctions or has been dropped or damaged in any manner. Supply cord replacement and repairs must be conducted by the manufacturer, its service agent, or similarly qualified persons in order to avoid a hazard. Call the provided customer service number for information on examination, repair, or adjustment.
10. The use of attachments not recommended or sold by the appliance manufacturer for use with this model may cause fire, electric shock, or injury.
11. Do not use outdoors.
12. Do not place on or near a hot gas or electric burner, or in a heated oven.
13. Check that control is off before plugging cord into wall outlet. To disconnect, turn control to OFF (●) and then remove plug from wall outlet.
14. Do not use appliance for other than intended purpose.
15. **CAUTION:** In order to avoid a hazard due to inadvertent resetting of the thermal cut-out, this appliance must not be supplied through an external switching device, such as a timer, or connected to a circuit that is regularly switched on and off by the utility.

**SAVE THESE INSTRUCTIONS!**

### **Other Consumer Safety Information**

**This appliance is intended for household use only.**

**⚠ WARNING Electrical Shock Hazard:** This appliance is provided with a polarized plug (one wide blade) to reduce the risk of electric shock. The plug fits only one way into a polarized outlet. Do not defeat the safety purpose of the plug by modifying the plug in any way or by using an adapter. If the plug does not fit fully into the outlet, reverse the plug. If it still does not fit, have an electrician replace the outlet.

The length of the cord used on this appliance was selected to reduce the hazards of becoming tangled in or tripping over a longer cord. If a longer cord is necessary, an approved extension cord may be used. The electrical rating of the extension cord must be equal to or greater than the rating of the appliance. Care must be taken to arrange the extension cord so that it will not drape over the countertop or tabletop where it can be pulled on by children or accidentally tripped over.

**⚠ WARNING Moving Parts Hazard.**

To reduce the risk of personal injury, always unplug mixer before inserting or removing attachments.

#### **WATTAGE/PEAK POWER INFORMATION**

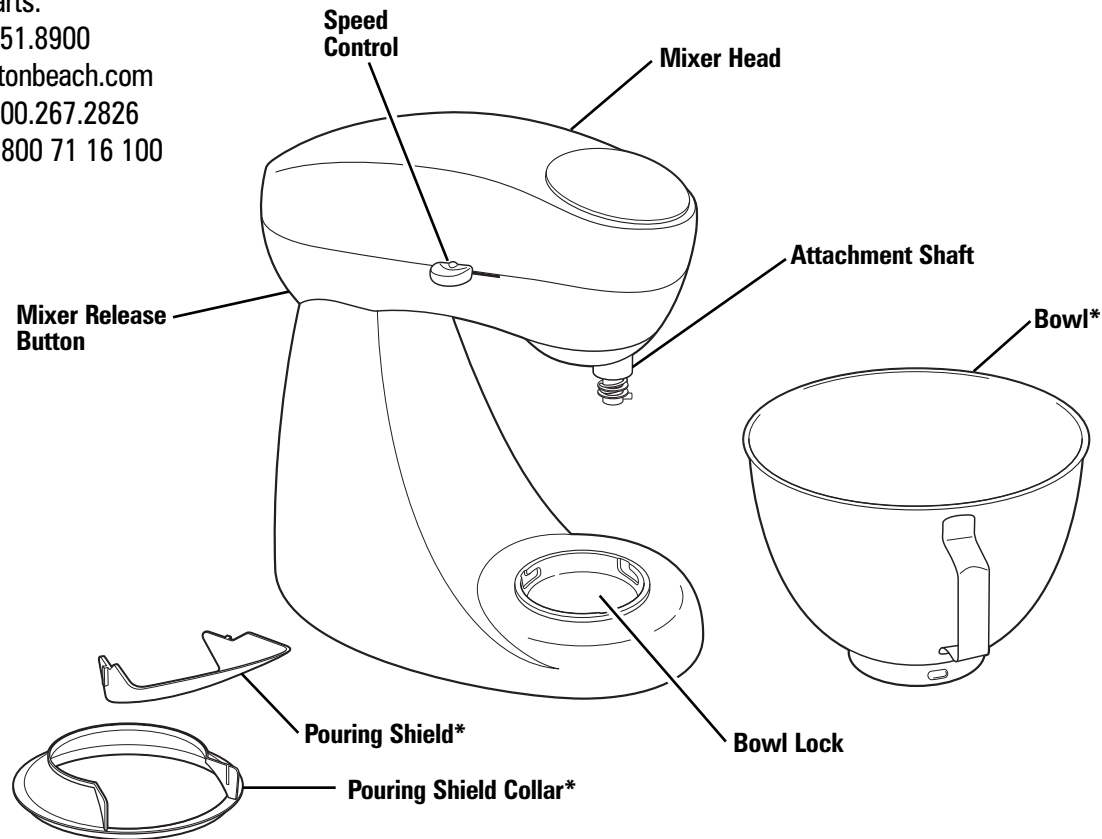
The marked rating of the stand mixer is defined by agency safety standards as the maximum stabilized power consumption of the stand mixer at high speed under a loaded condition.

Peak power is an average of the maximum wattage a stand mixer may consume during initial operation at high speed.

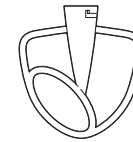
# Parts and Features

\*To order parts:  
US: 1.800.851.8900  
[www.hamiltonbeach.com](http://www.hamiltonbeach.com)  
Canada: 1.800.267.2826  
Mexico: 01 800 71 16 100

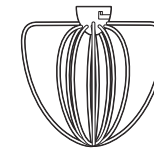
**BEFORE FIRST USE:** Wash bowl and attachments in warm, sudsy water; rinse and dry. Always unplug mixer from electrical outlet before inserting or removing attachments.



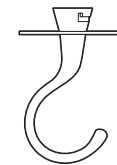
## ATTACHMENTS



**Flat Beater\***



**Whisk\***

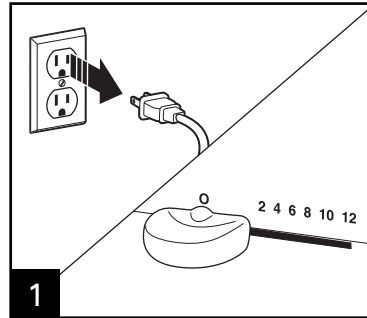


**Dough Hook\***

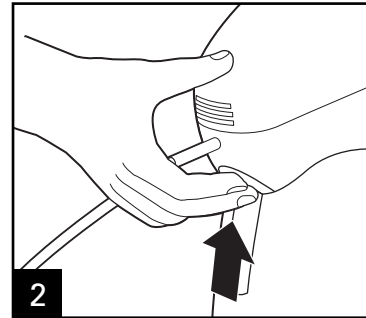
# How to Use

**BEFORE FIRST USE:** Wash bowl and attachments in warm, sudsy water; rinse and dry. Always unplug mixer from electrical outlet before inserting or removing attachments.

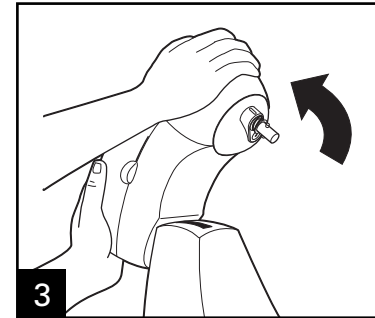
**⚠ WARNING Cut and Crush Hazard.**  
Unplug mixer before inserting or removing attachments.  
Failure to do so can result in broken bones or cuts.



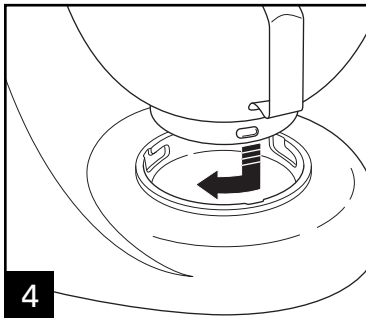
1 Always make sure mixer is unplugged and setting control is set to OFF (0).



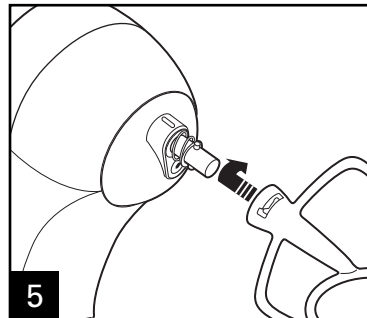
2 Press up on mixer release button.



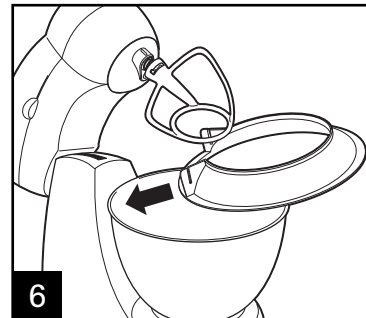
3 Tilt mixer head up.



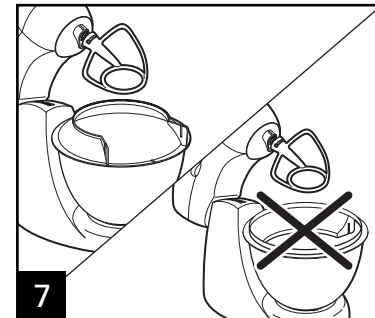
4 Place bowl in bowl lock and turn clockwise until bowl locks into place.



5 Insert attachment onto attachment shaft and press upward as far as possible. Turn the attachment clockwise, hooking attachment over pin on shaft.

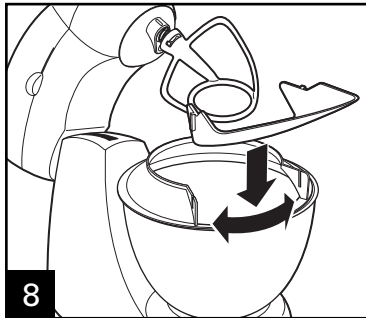


6 Slide the narrow section of the pouring shield collar under mixer attachment.

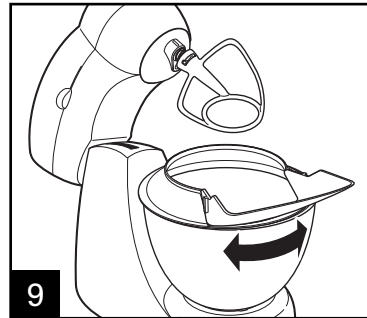


7 Place pouring shield collar on bowl. Sides of shield should be above the rim of the bowl when positioned correctly.

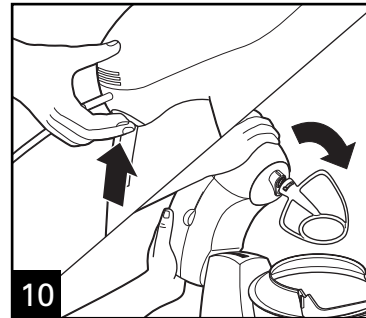
# How to Use (cont.)



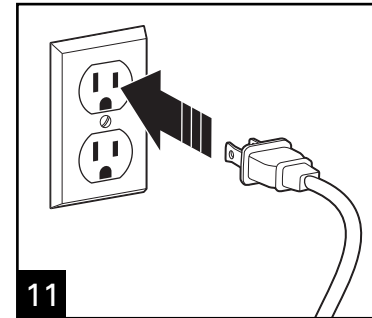
**8** Insert pouring shield tabs in slots on collar.



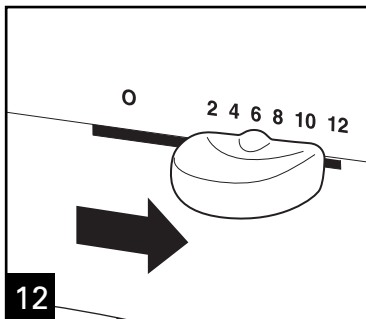
**9** Turn the opening of the pouring shield and collar to desired position.



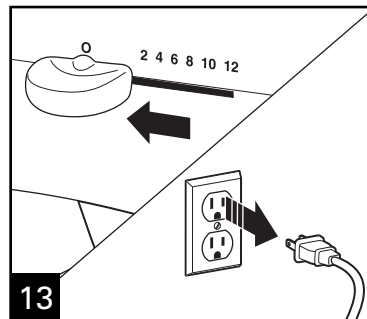
**10** Press up on mixer release button. Tilt mixer head down.



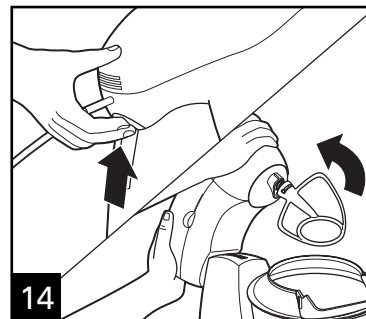
**11** Plug mixer into wall outlet.



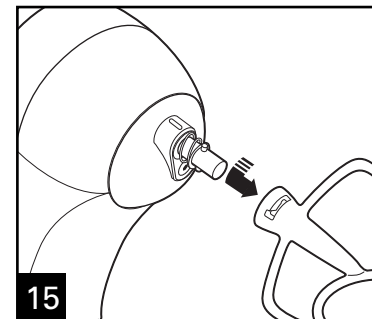
**12** Select desired speed.



**13** When finished, slide speed control to OFF (●). Unplug from outlet.



**14** Press up on mixer release button. Tilt mixer head up.



**15** Remove attachment by pressing attachment upward as far as possible. Turn the attachment counterclockwise and pull to remove.

# Mixing Guide

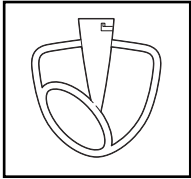
The following mixing guide is a suggestion for selecting mixing speeds. Begin on setting 2 and increase to desired speed, depending on the recipe consistency.

<b>FOOD</b>	<b>ATTACHMENT</b>	<b>SETTING</b>
Cakes (mixes and from scratch)	Flat Beater	4-6
Cookie Dough	Flat Beater	4-6
Mashed Potatoes	Flat Beater	6-8
Frosting	Flat Beater	6-8
Egg Whites (for meringues, etc.)	Whisk	10-12
Whipped Cream	Whisk	12
Instant Pudding	Whisk	2
Bread	Dough Hook	2-4

## General Mixing Tips

- Place liquid ingredients in bowl first and then add dry ingredients.
- Always stay near mixer during use.
- To begin mixing, use the lower settings until the ingredients are thoroughly combined. This will reduce splattering.
- Always add ingredients as close to the sides of the bowl as possible, not directly into the moving attachment.
- When preparing package cake mixes, use setting 2 for low speed, setting 4 for medium speed, and setting 6 for high speed. For best results, mix for the time stated on the package directions.
- Mixtures containing large amounts of liquid ingredients should be mixed at lower speeds to avoid splashing. Increase speed only after the mixture has thickened.
- When mixing thin batters, use medium speeds and frequently stop the mixer to scrape the sides of the bowl with a spatula.

# Flat Beater Tips



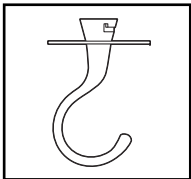
Flat beater is used for most of your mixing needs.

Use the flat beater to mix cakes, cookie dough, fudge, or potatoes.

Cookie dough is one of the thickest doughs to mix. Make it easier by following these tips:

- Have butter or margarine at room temperature.
- Add ingredients one at a time, thoroughly mixing after each addition.
- Add flour one cup at a time.
- If the mixer seems to struggle, increase the speed setting.

# Dough Hook Tips

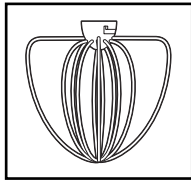


Dough hook is for recipes that require kneading.

- Always stay near mixer during use.
- If a spoon is accidentally caught in an attachment or the motor stalls, turn the setting control to OFF (●) and then unplug. Clear the obstruction or reduce the amount of mixture in the bowl. Let the motor cool for 5 minutes before continuing.



# Whisk Tips



- The whisk is designed to whip liquids, such as egg whites and cream. Do not use the whisk for mixing thick mixtures, such as dough, fudge, or mashed potatoes.
- Your mixer is designed to whisk a minimum of 2 large egg whites or 1 cup (237 ml) of cream. Mixer performance is enhanced as the tip of the whisk is immersed into the liquid. If smaller quantities are needed, a hand mixer is recommended.

## EGG WHITES

Place egg whites in a clean, dry mixing bowl. Attach bowl and whisk. To avoid splashing, gradually turn speed control to desired speed. See chart below.

AMOUNT	SETTING
2 to 4 egg whites	up to 10
6 or more egg whites	up to 8

Your stand mixer whips egg whites quickly. Watch carefully to avoid overwhipping. Here is what to expect:

**Frothy:** Large, uneven air bubbles.

**Begins to Hold Shape:** Air bubbles are fine and compact; product is white.

**Soft Peak:** Tips of peaks fall over when whisk is removed.

**Almost Stiff:** Sharp peaks form when whisk is removed, but whites are still soft.

**Stiff But Not Dry:** Sharp, stiff peaks form when whisk is removed. Whites are uniform in color and glisten.

**Stiff and Dry:** Sharp, stiff peaks form when whisk is removed. Whites are speckled and dull in appearance.

## WHIPPED CREAM

Pour cold whipping cream into chilled bowl. Attach bowl and whisk. To avoid splashing, gradually turn to designated speed and whip to desired stage. See chart below.

AMOUNT	SETTING
1 cup (237 ml)	up to 10
1 pint (473 ml)	up to 8

Your stand mixer whips cream very quickly. Watch cream closely during whipping because there are just a few seconds between whipping stages. Look for these characteristics:

**Begins to Thicken:** Cream is thick and custard-like.

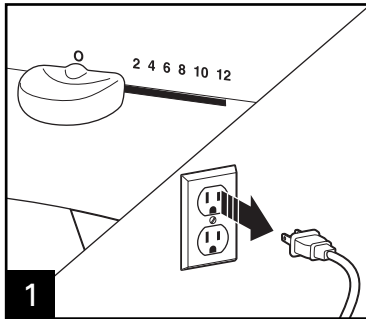
**Holds Its Shape:** Cream forms soft peaks when whisk is removed. Can be folded into other ingredients when making desserts and sauces.

**Stiff:** Cream stands in stiff, sharp peaks when whisk is removed. Use for topping on cakes or desserts, or filling for cream puffs.

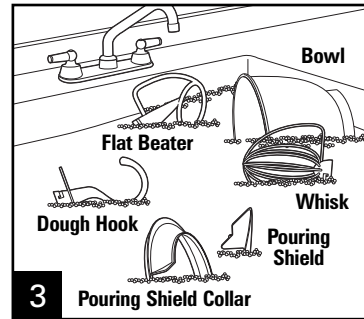
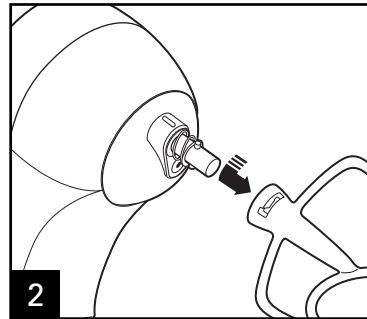
# Care and Cleaning

**⚠ WARNING Electrical Shock Hazard.**

Do not immerse mixer, cord, or plug in water or any other liquid.



Make sure mixer is unplugged and speed control is set to OFF (0).



**DISHWASHER-SAFE**

DO NOT use the "SANI" setting when washing in the dishwasher. "SANI" cycle temperatures could damage your product.



# Troubleshooting

## PROBLEM

## PROBABLE CAUSE/SOLUTION

Food is not mixed.

- Place liquid ingredients in bowl before adding dry ingredients.
- Stop mixer and scrape sides of bowl.
- Increase speed.

Food splatters during mixing.

- Mixtures containing large amounts of liquid ingredients should be mixed at lower speeds to avoid splashing. Increase speed only after the mixture has thickened.

Mixer “walks” on counter during mixing.

- Reduce speed.
- Reduce quantity of ingredients in bowl.
- Make sure countertop is clean. This allows the mixer feet to grip countertop and reduce mixer movement.

# Recipes

## Chocolate Velvet Layer Cake

### Ingredients:

2 cups (473 ml) cake flour  
1/2 cup (118 ml) unsweetened baking cocoa  
2 teaspoons (10 ml) baking soda  
1/4 teaspoon (1.2 ml) salt  
10 tablespoons (148 ml) butter, room temperature  
2 cups (473 ml) light brown sugar, packed  
2 eggs  
1 teaspoon (5 ml) vanilla  
3/4 cup (177 ml) sour cream  
3/4 cup (177 ml) cold brewed coffee

### Directions:

Preheat oven to 350°F (180°C). In a small bowl, stir together flour, cocoa, baking soda and salt. Set aside. Using flat beater, cream butter and sugar on setting 4. Add eggs, one at a time, beating well after each addition. Add vanilla. Reduce speed to setting 2. Add half of flour mixture, then all of sour cream. Add remaining flour mixture; then slowly pour in coffee. Mix on setting 2 for about 30 seconds. Turn off mixer and scrape sides and bottom of bowl. Turn mixer on to setting 4 and mix until thoroughly blended. Divide batter between 2 greased and wax paper-lined 9-inch (23-cm) round cake pans. Bake 30 to 35 minutes or until tests done. Cool in pan for 5 minutes; then remove from pans and cool on racks. Frost with Bittersweet Chocolate Frosting.

**Makes one 2-layer cake.**

## Bittersweet Chocolate Frosting

### Ingredients:

1/3 cup (79 ml) butter, room temperature	1/4 cup (59 ml) milk
2 1/2 cups (591 ml) confectioners' sugar	1 to 2 tablespoons (15 to 30 ml) cold brewed coffee
3/4 cup (177 ml) unsweetened baking cocoa	1 teaspoon (5 ml) vanilla

### Directions:

Using flat beater, beat butter on setting 4 until smooth. Add confectioners' sugar and cocoa alternately with milk and continue beating until smooth. Add vanilla and beat until smooth and blended.

## Magic Cookies

### Ingredients:

1 cup (237 ml) butter	1/2 teaspoon (2.5 ml) salt
1 cup (237 ml) sugar	2 cups (473 ml) oatmeal
1 cup (237 ml) light brown sugar	1 tablespoon (15 ml) vanilla
2 eggs	12 ounces (340 g) chocolate chips
2 cups (473 ml) flour	1 1/2 cups (355 ml) coconut
1 teaspoon (5 ml) baking soda	
1/2 teaspoon (2.5 ml) baking powder	

### Directions:

Preheat oven to 350°F (180°C). With flat beater, cream together butter, sugar and brown sugar at a medium setting until well blended. Mix in vanilla and eggs. Reduce speed and gradually add flour, baking soda, baking powder and salt mix until smooth. On a low setting, mix in oatmeal, chocolate chips and coconut until well mixed. Drop rounded spoonful onto ungreased cookie sheet. Bake on middle rack of oven for 12 to 14 minutes.

**Makes 3 dozen cookies.**

# Recipes (cont.)

## Best Ever Sugar Cookies

### Ingredients:

2 1/2 cups (591 ml) all-purpose flour  
1 teaspoon (5 ml) baking powder  
1/2 teaspoon (2.5 ml) baking soda  
1/4 teaspoon (1.2 ml) salt  
1/4 teaspoon (1.2 ml) nutmeg  
3/4 cup (177 ml) butter, softened  
3/4 cup (177 ml) sugar  
1 egg  
1 teaspoon (5 ml) vanilla  
1/4 cup (59 ml) milk

### Directions:

Preheat oven to 375°F (190°C). Mix together flour, baking powder, baking soda, salt and nutmeg and set aside. Using flat beater, cream butter on high speed until light and fluffy. Reduce speed to lowest setting. Add sugar, egg and vanilla, mixing thoroughly. Gradually add dry ingredients and milk; continue mixing until thoroughly mixed. Form cookie dough into 1 1/2-inch (3.5-cm) diameter balls and arrange balls on ungreased baking sheets. Flatten balls slightly with the bottom of a drinking glass. Bake in oven for 6 to 7 minutes or until lightly golden around edges. Cool on wire racks.

**Makes about 4 dozen.**

## Simple Yeast Rolls

### Ingredients:

1 cup (237 ml) warm water, 100° to 110°F (38° to 43°C)  
.25 ounce (7 g) package active dry yeast  
1/4 cup (59 ml) butter, melted and cooled  
3 tablespoons (44 ml) sugar  
1 teaspoon (5 ml) salt  
1 egg  
3 to 3 1/2 cups (710 to 828 ml) flour

### Directions:

Pour water into mixing bowl. Add yeast and let dissolve for 5 minutes. Add butter, sugar, salt and egg. Using dough hook, mix on setting 2 for about 30 seconds. Add 3 cups (710 ml) of the flour and mix on setting 4 for about 2 minutes. Add additional flour, if necessary, to make a soft dough. Cover and let rise in a warm place for about 1 hour.

Preheat oven to 350°F (180°C). Stir down the dough and dump onto lightly floured surface. Divide the dough into 4 equal portions; then divide each portion into 4 golf ball- sized balls. Place the 16 balls in a greased 9- x 13-inch (23- x 33-cm) baking pan. Let rise in a warm place for about 30 minutes. Bake 25 to 30 minutes.

**Makes 16 rolls.**

# Recipes (cont.)

## Sour Cream Coffee Cake

### Ingredients:

#### Crumb Topping

- 1 1/2 cups (355 ml) all-purpose flour
- 1 1/2 sticks (3/4 cup [177 ml]) unsalted butter, softened
- 1/3 cup (79 ml) packed light brown sugar
- 1/3 cup (79 ml) sugar
- 1 1/4 teaspoons (6.2 ml) ground cinnamon
- 1 cup (237 ml) pecans, chopped

#### Cake

- 1 1/2 sticks (3/4 cup [177 ml]) unsalted butter, softened
- 1 1/4 cups (296 ml) sugar
- 1 tablespoon (15 ml) baking powder
- 3/4 teaspoon (3.7 ml) baking soda
- 3/4 teaspoon (3.7 ml) salt
- 4 large eggs
- 1 tablespoon (15 ml) vanilla
- 1 1/2 cups (355 ml) sour cream
- 2 1/4 cups (532 ml) all-purpose flour

#### Streusel

- 1/3 cups (79 ml) all-purpose flour
- 1/2 cup (118 ml) packed light brown sugar, divided
- 3/4 teaspoon (3.7 ml) ground cinnamon
- 3 tablespoons (44 ml) cold butter

### Directions:

**Crumb Topping:** In a small bowl, combine flour, butter, brown sugar, granulated sugar and cinnamon; mix with fork until large crumbs are formed. Add pecans and mix to incorporate.

**Streusel:** In another small bowl, combine flour, brown sugar, cinnamon and butter. Mix with fork until large crumbs are formed.

**Cake:** Lower oven rack to lowest position. Preheat oven 350°F (180°C). Grease 10-inch (26-cm) bundt pan with butter.

Using the flat beater, cream butter on medium speed until smooth. Add sugar, baking powder, baking soda and salt. Beat on medium speed for 3 minutes. With mixer on low speed, add in eggs, one at a time, until well blended. Mix in vanilla and sour cream. Gradually add flour. Continue to mix until well blended.

Spread about 2 cups (473 ml) of batter into the bottom of prepared pan. Sprinkle evenly with half of streusel mixture. Repeat. Spread remaining batter over and top with crumb topping.

Bake 50 to 60 minutes or until a toothpick inserted into the center of the cake comes out clean. Cool on wire rack 30 minutes. Invert cake onto plate and then flip on wire rack with topping side up. Cool completely.

**Makes one cake.**

Notes

# Hamilton Beach 5-Year Limited Warranty

This warranty applies to products purchased and used in the U.S. and Canada. This is the only express warranty for this product and is in lieu of any other warranty or condition.

This product is warranted to be free from defects in material and workmanship for a period of five (5) years from the date of original purchase. During this period, your exclusive remedy is repair or replacement of this product or any component found to be defective, at our option; however, you are responsible for all costs associated with returning the product to us and our returning a product or component under this warranty to you. If the product or component is no longer available, we will replace with a similar one of equal or greater value.

This warranty does not cover glass, filters, wear from normal use, use not in conformity with the printed directions, or damage to the product resulting from accident, alteration, abuse, or misuse. This warranty extends only to the original consumer purchaser or gift recipient. Keep the original sales receipt, as proof of purchase is required to make a warranty claim. This warranty is void if the product is used for other than single-family household use or subjected to any voltage and waveform other than as specified on the rating label (e.g., 120V ~ 60 Hz).

We exclude all claims for special, incidental, and consequential damages caused by breach of express or implied warranty. All liability is limited to the amount of the purchase price. **Every implied warranty, including any statutory warranty or condition of merchantability or fitness for a particular purpose, is disclaimed except to the extent prohibited by law, in which case such warranty or condition is limited to the duration of this written warranty.** This warranty gives you specific legal rights. You may have other legal rights that vary depending on where you live. Some states or provinces do not allow limitations on implied warranties or special, incidental, or consequential damages, so the foregoing limitations may not apply to you.

To make a warranty claim, do not return this appliance to the store. Please call 1.800.851.8900 in the U.S. or 1.800.267.2826 in Canada or visit [hamiltonbeach.com](http://hamiltonbeach.com) in the U.S. or [hamiltonbeach.ca](http://hamiltonbeach.ca) in Canada. For faster service, locate the model, type, and series numbers on your appliance.

Hamilton Beach Brands, Inc.  
4421 Waterfront Drive  
Glen Allen  
Virginia 23060  
USA



## PRÉCAUTIONS IMPORTANTES

Pour utiliser un appareil électroménager, vous devez toujours prendre des mesures élémentaires de sécurité pour réduire le risque d'incendie, d'électrocution et/ou de blessure corporelle, en particulier les mesures suivantes :

1. Lire toutes les instructions.
2. Cet appareil n'est pas destiné à être utilisé par des personnes (y compris les enfants) dont les capacités physiques, sensorielles ou mentales sont réduites, ou manquant d'expérience et de connaissance, sauf si elles sont étroitement surveillées et instruites sur l'utilisation de l'appareil par une personne responsable de leur sécurité.
3. Une surveillance étroite est requise pour tout appareil utilisé par ou près des enfants. Surveiller que les enfants ne jouent pas avec l'appareil.
4. Pour protéger contre le risque de choc électrique, ne pas immerger le cordon, la fiche ou le boîtier du batteur dans l'eau ou autre liquide.
5. Débrancher l'appareil de la prise de courant électrique lorsqu'il n'est pas utilisé et avant d'ajouter ou d'y enlever des pièces et avant le nettoyage.
6. Éviter le contact avec les pièces mobiles. Garder les mains, les cheveux et les vêtements, de même que les spatules et autres ustensiles, loin des accessoires durant l'opération pour réduire le risque de blessure aux personnes et/ou des dommages au batteur.
7. Enlever les accessoires du batteur avant le lavage.
8. Ne pas laisser le cordon pendre du bord d'une table ou d'un comptoir, ou toucher des surfaces chaudes, y compris la cuisinière.
9. Ne pas faire fonctionner un appareil électroménager avec un cordon ou une fiche endommagée, ou lorsque l'appareil ne fonctionne pas bien ou a été échappé ou endommagé d'une manière quelconque. Le remplacement et la réparation du cordon d'alimentation doivent être faits par le fabricant, son agent de service ou toute personne qualifiée de façon à éviter tout danger. Appeler le numéro de service à la clientèle fourni pour des renseignements concernant l'examen, la réparation ou l'ajustement.
10. L'utilisation d'accessoires non recommandés ou vendus par le fabricant de l'appareil pour utilisation avec ce modèle peut causer un incendie, un choc électrique ou une blessure.
11. Ne pas utiliser à l'extérieur.
12. Ne pas placer l'appareil sur ou près d'un brûleur à gaz ou d'un élément électrique chaud, ou dans un four chauffé.
13. Vérifier que le réglage est à ARRÊT avant de brancher le cordon dans une prise de courant murale. Pour le débrancher, tourner le réglage à ARRÊT (●) et ensuite retirer la fiche de la prise de courant murale.
14. Ne pas utiliser l'appareil pour un usage autre que celui auquel il est destiné.
15. **MISE EN GARDE** : Afin d'éviter les risques occasionnés par une réinitialisation accidentelle des rupteurs thermiques, cet appareil doit être alimenté par un dispositif de commande externe comme une minuterie, ou être branché sur un circuit mis hors et sous tension régulièrement par le service.

## CONSERVEZ CES INSTRUCTIONS

### **Autres consignes de sécurité pour le consommateur**

**Cet appareil est destiné à un usage domestique uniquement.**

**⚠ AVERTISSEMENT Risque de choc électrique :** Cet appareil est fourni avec une fiche polarisée (une broche large) pour réduire le risque d'électrocution. Cette fiche n'entre que dans un seul sens dans une prise polarisée. Ne contrecarrez pas l'objectif sécuritaire de cette fiche en la modifiant de quelque manière que ce soit ou en utilisant un adaptateur. Si vous ne pouvez pas insérer complètement la fiche dans la prise, inversez la fiche. Si elle refuse toujours de s'insérer, faire remplacer la prise par un électricien.

La longueur du cordon installé sur cet appareil a été sélectionnée afin de réduire les risques d'enchevêtrement ou de faux pas causés par un fil trop long. L'utilisation d'une rallonge approuvée est permise si le cordon est trop court. Les caractéristiques électriques de la rallonge doivent être équivalentes ou supérieures aux caractéristiques de l'appareil. Prendre toutes les précautions nécessaires pour installer la rallonge de manière à ne pas la faire courir sur le comptoir ou sur une table pour éviter qu'un enfant ne tire sur le cordon ou trébuche accidentellement.

**⚠ AVERTISSEMENT Risque de pièces en mouvement.**

Pour réduire le risque de blessure corporelle, débrancher toujours votre batteur avant d'y introduire ou d'en enlever des accessoires.

#### **RENSEIGNEMENTS SUR LA PUISSANCE/ PUISSANCE DE CRÊTE**

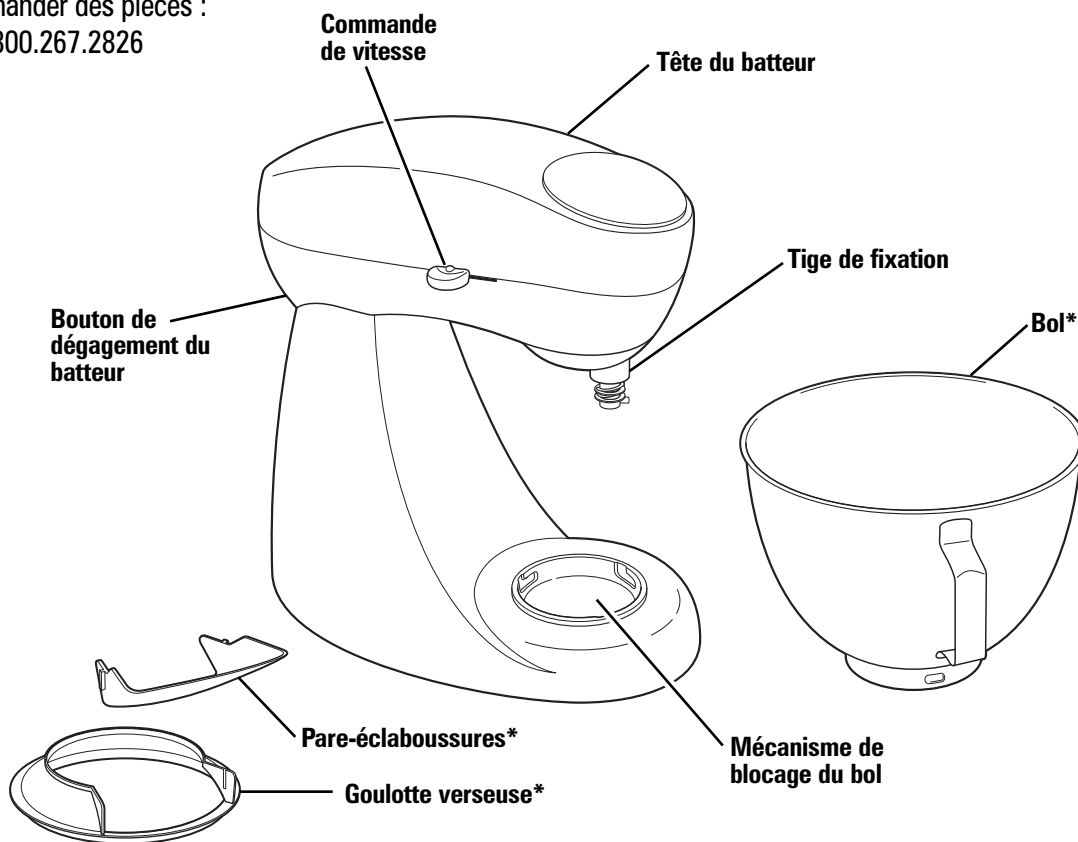
Les caractéristiques nominales gravées sur le pied du mélangeur sont définies par une agence de normes de sécurité comme étant la puissance de consommation stabilisée du mélangeur sur socle à vitesse élevée lorsqu'à pleine puissance.

La puissance de crête est la puissance maximum moyenne consommée par le batteur pendant son fonctionnement initial à grande vitesse.

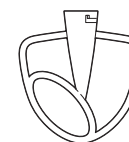
# Pièces et caractéristiques

\*Pour commander des pièces :  
Canada : 1.800.267.2826

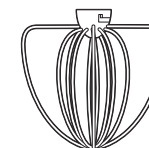
**AVANT LA PREMIÈRE UTILISATION** : Laver le bol et accessoires dans de l'eau chaude savonneuse; rincer et essuyer. Toujours débrancher le batteur de la prise électrique avant d'insérer ou de retirer les accessoires.



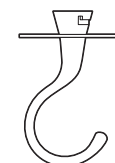
## ACCESSOIRES



**Fouet plat\***



**Fouet\***



**Crochet à pâte\***

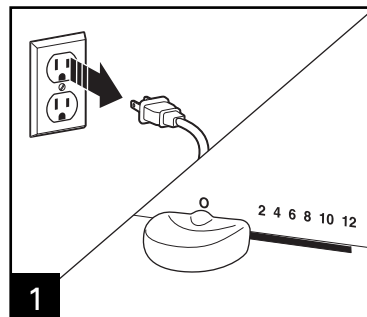
# Utilisation

## AVANT LA PREMIÈRE

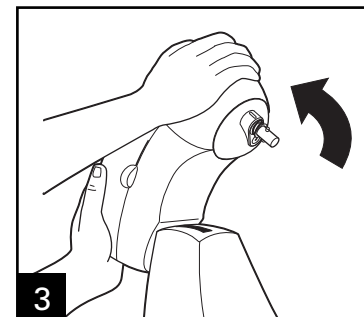
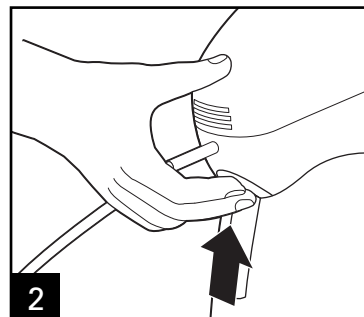
**UTILISATION :** Laver le bol et accessoires dans de l'eau chaude savonneuse; rincer et essuyer. Toujours débrancher le batteur de la prise électrique avant d'insérer ou de retirer les accessoires.

## ⚠ AVERTISSEMENT Risque de coupure et d'écrasement.

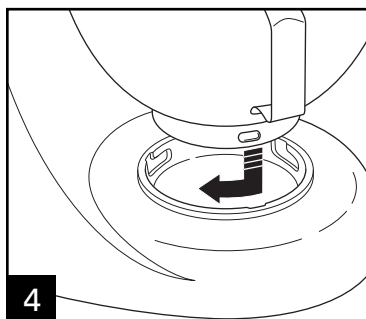
Débrancher le batteur avant d'insérer ou d'enlever des accessoires. Le non-respect de cette instruction peut provoquer des fractures ou des coupures.



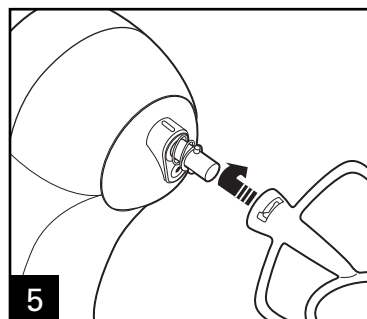
1 Toujours s'assurer que le batteur est débranché et que la commande de vitesse est en position ARRÊT (0). Pousser le bouton de dégagement du batteur vers le haut.



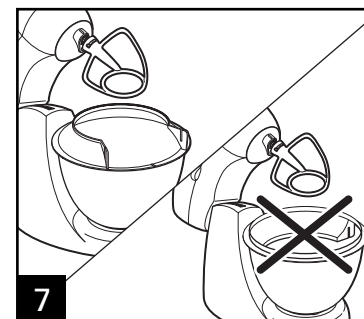
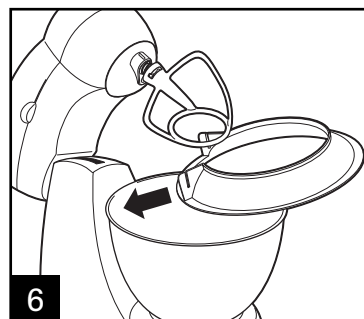
3 Relever la tête du batteur.



4 Insérer le bol dans le mécanisme de blocage du bol et tourner vers la droite pour immobiliser en place.

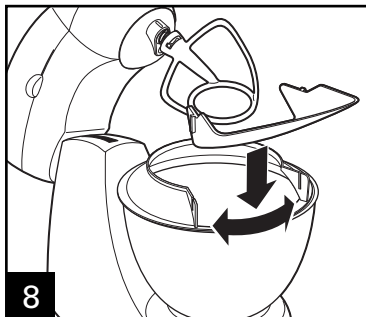


5 Insérer l'accessoire sur l'arbre d'accessoire et pousser le plus loin possible vers le haut. Tourner l'accessoire vers la droite pour faire passer l'accessoire par-dessus la clavette de l'arbre. Glisser la partie étroite de la goulotte verseuse sous l'accessoire du batteur.

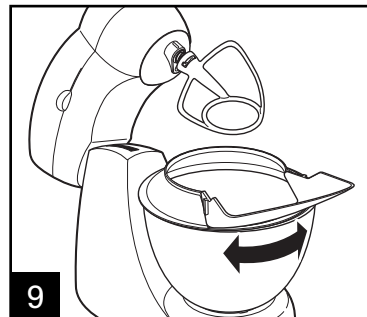


7 Installer la goulotte verseuse sur le bol. Lorsque placé correctement, le pourtour du pare-éclaboussures doit reposer sur le bord du bol.

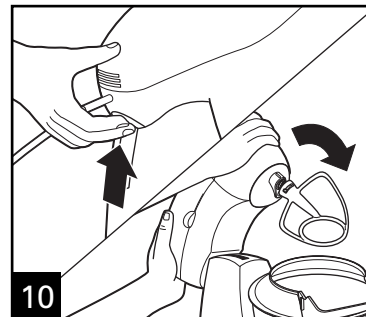
# Utilisation (suite)



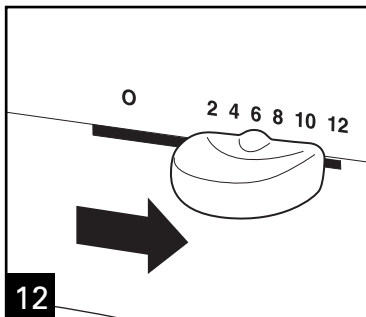
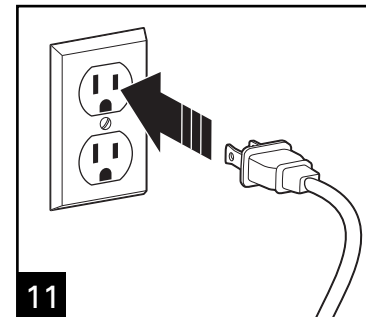
**8** Insérer les languettes du pare-éclaboussures dans les fentes de la goulotte.



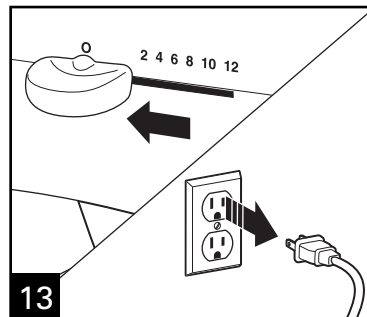
**9** Tourner l'ouverture du pare-éclaboussures et de la goulotte à la position désirée.



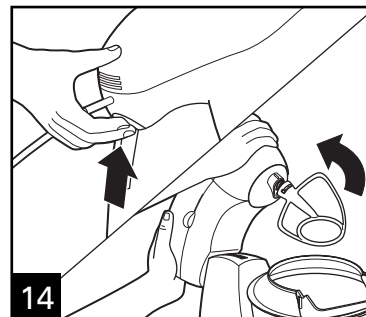
**10** Pousser le bouton de dégagement du batteur vers le haut. Incliner la tête du batteur vers le bas. Brancher de la prise.



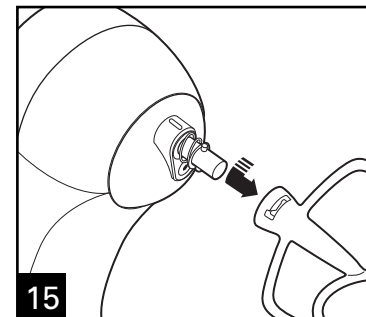
**12** Sélectionner la vitesse désirée.



**13** Arrêter l'appareil en tournant la commande de vitesse sur (0). Débrancher de la prise.



**14** Pousser le bouton de dégagement du batteur vers le haut. Relever la tête du batteur.



**15** Retirer l'accessoire en le poussant le plus loin possible vers le haut. Tourner l'accessoire vers la gauche et tirer pour le dégager.

# Guide pour mélanger

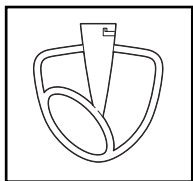
Le guide suivant est une suggestion pour le choix des vitesses de mélange. Commencer en réglant la vitesse à 2 et en l'augmentant jusqu'au réglage désiré, selon la consistance de la recette.

ALIMENT	ACCESSOIRE	RÉGLAGE
Gâteaux (mélanges ou faits maison)	Fouet plat	4-6
Pâte à biscuits	Fouet plat	4-6
Purée de pommes de terre	Fouet plat	6-8
Glaçage	Fouet plat	6-8
Blancs d'oeufs (pour meringues, etc.)	Fouet	10-12
Crème fouettée	Fouet	12
Crème-dessert instantanée	Fouet	2
Pain	Crochet à pâte	2-4

## Conseils généraux de mélange

- Mettre les ingrédients liquides dans le bol en premier, puis ajouter les ingrédients secs.
- Toujours rester près du batteur durant l'utilisation.
- Pour commencer le mélange, utiliser les vitesses moins élevées jusqu'à ce que les ingrédients soient complètement combinés. Ceci réduira les éclaboussures.
- Toujours ajouter les ingrédients le plus près possible des bords du bol, non directement dans le fouet en mouvement.
- Pour préparer les mélanges de gâteau au fromage, utiliser le réglage 2 pour la basse vitesse, le réglage 4 pour la vitesse moyenne et le réglage 6 pour la vitesse élevée. Pour les meilleurs résultats, suivre les indications de durée de mélange données sur l'emballage.
- Les mélanges contenant de grandes quantités de liquides devraient être mélangés à des vitesses plus basses pour éviter les éclaboussures. N'augmenter la vitesse qu'une fois le mélange épaissi.
- Lors du mélange de pâtes coulantes, utiliser des vitesses moyennes et arrêter fréquemment le batteur pour racler les côtés du bol avec une spatule.

## Conseils pour le fouet plat



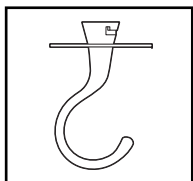
Le fouet plat est utilisé pour la plupart des besoins de malaxage.

Utiliser le fouet plat pour mélanger gâteaux, pâte à biscuits, caramel, ou pommes de terre.

La pâte à biscuits est l'une des pâtes les plus épaisses à mélanger. Les conseils suivants faciliteront la tâche :

- Veiller à ce que le beurre ou la margarine soit à la température ambiante.
- Ajouter les ingrédients un à la fois en les mélangeant bien après chaque addition.
- Ajouter la farine une tasse à la fois.
- Si le batteur semble forcer, accroître le réglage.

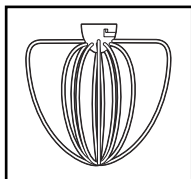
## Conseils pour le crochet à pâte



Le crochet à pâte est utilisé pour les recettes nécessitant un pétrissage.

- Toujours rester près du batteur durant l'utilisation.
- Si une cuiller se prend accidentellement dans l'accessoire ou si le moteur cale, glisser la commande de vitesse à ARRÊT (●), puis débrancher le batteur. Dégager l'obstruction ou réduire la quantité du mélange dans le bol. Laisser le moteur refroidir pendant 5 minutes avant de continuer.

# Conseils pour le fouet



- Le fouet à fil est conçu pour battre les liquides tels que les blancs d'œufs et la crème. Ne pas utiliser le fouet à fil pour malaxer des mélanges épais tels que la pâte, le caramel ou les pommes de terre en purée.
- Votre batteur est conçu pour battre un minimum de 2 gros blancs d'œufs ou 1 tasse (237 ml) de crème. Le rendement du batteur s'améliore au fur et à mesure que le fouet est immergé dans le liquide. Si des quantités moindres sont requises, l'utilisation d'un batteur à main est recommandée.

## BLANCS D'OEUFS

Mettre les blancs d'œufs dans un bol à mélanger propre et sec. Fixer le bol et le fouet à fil. Pour éviter les éclaboussures, augmenter graduellement la vitesse au réglage désiré. Voir le tableau ci-dessous.

QUANTITÉ	RÉGLAGE
2 à 4 blancs d'œufs	jusqu'à 10
6 blancs d'œufs ou plus	jusqu'à 8

Votre batteur sur socle bat les blancs d'œufs rapidement. Surveiller attentivement pour ne pas les battre excessivement. La liste suivante vous dit à quoi vous attendre :

**Mousseux** : Grosses bulles d'air inégales.

**Commence à prendre forme** : Les bulles d'air sont fines et compactes; le produit est blanc.

**Pointe molle** : Les pointes retombent quand le fouet est retiré.

**Presque fermes** : Des pointes acérées se forment quand le fouet est retiré, mais les blancs sont encore mous.

**Fermes mais pas secs** : Pointes acérées et fermes quand le fouet est retiré. Les blancs sont de couleur homogène et brillante.

**Fermes et secs** : Pointes acérées et fermes quand le fouet est retiré. Les blancs sont tachetés et d'apparence fade.

## CRÈME À FOUETTER

Verser la crème à fouetter froide dans un bol réfrigéré. Fixer le bol et le fouet à fil. Pour éviter les éclaboussures, augmenter graduellement la vitesse au réglage désiré et fouetter à la consistance désirée. Voir le tableau ci-dessous.

QUANTITÉ	RÉGLAGE
1 tasse (237 ml)	jusqu'à 10
1 chopine (473 ml)	jusqu'à 8

Votre batteur sur socle fouette la crème très rapidement. Surveiller la crème attentivement durant l'opération car quelques secondes seulement séparent les stades de consistance. Rechercher les caractéristiques suivantes :

**Commence à épaissir** : La crème est épaisse et ressemble à une crème dessert.

**Conserve sa forme** : La crème forme des pointes molles quand le fouet est retiré. Peut être incorporée aux autres ingrédients lors de la préparation de desserts et sauces.

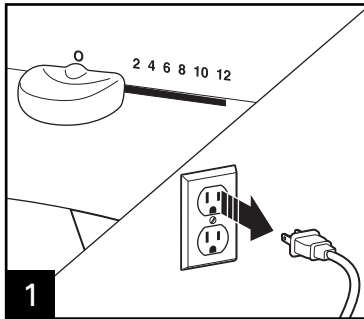
**Ferme** : La crème forme des pointes fermes et acérées quand le fouet est retiré. L'utiliser comme garniture sur des gâteaux ou desserts ou pour fourrer des choux à la crème.



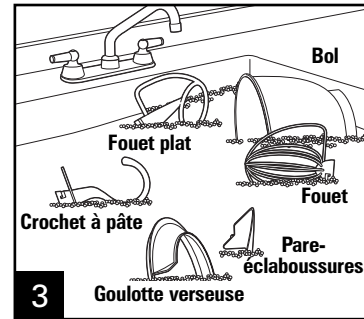
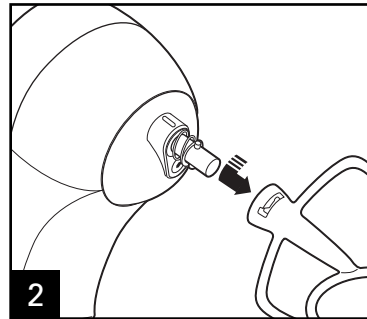
# Entretien et nettoyage

**⚠ AVERTISSEMENT** Risque de choc électrique.

Ne pas immerger le batteur, le cordon ou la fiche dans l'eau ou autre liquide.



1 Assurer que le batteur est débranché et que la commande de vitesse est en position ARRÊT (0).



NE PAS utiliser le réglage "SANI" du lave-vaisselle. Les températures du cycle "SANI" peuvent endommager le produit.



# Dépannage

## PROBLÈME

## CAUSE PROBABLE/SOLUTION

Aliments non mélangés.

- Mettre les ingrédients liquides dans le bol avant d'ajouter les ingrédients secs.
- Arrêter le batteur et racler les cotés du bol.
- Augmenter de la vitesse.

Éclaboussures d'aliments durant le mélange.

- Les mélanges contenant de grandes quantités de liquides devraient être mélangés à des vitesses plus basses pour éviter les éclaboussures. N'augmenter la vitesse qu'une fois le mélange épaissi.

Le batteur se déplace sur le comptoir durant le mélange.

- Réduire de la vitesse.
- Réduire la quantité d'ingrédients dans le bol.
- S'assurer que le comptoir est propre. Ceci permet les pieds du batteur d'agripper le comptoir et réduit le déplacement du batteur.

# Recettes

## Gâteau étagé au chocolat velouté

### Ingrédients :

2 tasses (473 ml) de farine à gâteau  
1/2 tasse (118 ml) de cacao à cuire non sucré  
2 c. à thé (10 ml) de bicarbonate de soude  
1/4 c. à thé (1,2 ml) de sel  
10 c. à soupe (148 ml) de beurre, à la température ambiante  
2 tasses (473 ml) de cassonade claire, tassée  
2 oeufs  
1 c. à thé (5 ml) d'extrait de vanille  
3/4 tasse (177 ml) de crème sure  
3/4 tasse (177 ml) de café filtre, refroidi

### Instructions :

Préchauffer le four à 180 °C (350 °F). Dans un petit bol, mélanger la farine, le cacao, le bicarbonate de soude et le sel. Réserver. Avec le fouet plat et le batteur réglé à 4, battre le beurre et la cassonade en crème. Ajouter les oeufs un à un, en battant bien après chaque ajout. Ajouter l'extrait de vanille. Régler la vitesse à 2. Ajouter la moitié des ingrédients secs et la crème sure. Ajouter le reste des ingrédients secs. Verser petit à petit le café. Mélanger environ 30 secondes à vitesse 2. Interrompre le fonctionnement et racler la paroi et le fond du bol. Régler la vitesse à 4 et mélanger jusqu'à consistance

parfaitement homogène. Verser la pâte dans 2 moules à gâteaux ronds de 9 po (23 cm) beurrés et recouverts de papier ciré. Cuire au four préchauffé de 30 à 35 minutes ou jusqu'à ce qu'un cure-dent inséré au centre du gâteau en ressorte propre. Laisser refroidir 5 minutes puis démouler et laisser refroidir sur une grille. Recouvrir de Glaçage au chocolat mi-sucré.

**Donne un gâteau à 2 étages.**

## Glaçage au chocolat mi-sucré

### Ingrédients :

1/3 tasse (79 ml) de beurre, à la température ambiante  
2 1/2 tasses (591 ml) de sucre glace  
3/4 tasse (177 ml) de cacao à cuire non sucré  
1/4 tasse (59 ml) de lait  
1 à 2 c. à soupe (15 à 30 ml) de café filtre, refroidi  
1 c. à thé (5 ml) d'extrait de vanille

### Instructions :

Avec le fouet plat et le batteur réglé à 4, battre le beurre en crème. Ajouter le sucre glace et le cacao en alternance avec le lait et continuer de battre jusqu'à consistance homogène. Ajouter le café et l'extrait de vanille et battre jusqu'à consistance homogène.

## Biscuits magiques

### Ingrédients :

1 tasse (237 ml) de beurre	1/2 c. à thé (2,5 ml) de levure chimique
1 tasse (237 ml) de sucre	1/2 c. à thé (2,5 ml) de sel
1 tasse (237 ml) de cassonade claire	2 tasses (473 ml) de farine d'avoine
2 oeufs	1 c. à soupe (15 ml) d'extrait de vanille
2 tasses (473 ml) de farine	12 oz (340 g) de grains de chocolat
1 c. à thé (5 ml) de bicarbonate de soude	1 1/2 tasse (355 ml) de noix de coco

### Instructions :

Préchauffer le four à 180 °C (350 °F). Avec le fouet plat, battre à vitesse moyenne le beurre, le sucre et la cassonade jusqu'à consistance homogène. Ajouter la vanille et les oeufs et mélanger. Réduire la vitesse et ajouter petit à petit la farine, le bicarbonate de soude, la levure chimique et le sel et mélanger jusqu'à consistance homogène. Régler à vitesse minimale et ajouter la farine d'avoine, les grains de chocolat et la noix de coco. Mélanger jusqu'à consistance homogène. Déposer par cuillerées combles sur une plaque à pâtisserie non graissée. Cuire au four préchauffé de 12 à 14 minutes sur la grille du centre.

**Donne 3 douzaines de biscuits.**

# Recettes (suite)

## Biscuits au sucre imbattables

### Ingrédients :

2 1/2 tasses (591 ml) de farine tout usage  
1 c. à thé (5 ml) de levure chimique  
1/2 c. à thé (2,5 ml) de bicarbonate de soude  
1/4 c. à thé (1,2 ml) de sel  
1/4 c. à thé (1,2 ml) de muscade  
3/4 tasse (177 ml) de beurre, ramolli  
3/4 tasse (177 ml) de sucre  
1 oeuf  
1 c. à thé (5 ml) d'extrait de vanille  
1/4 tasse (59 ml) de lait

### Instructions :

Préchauffer le four à 190 °C (375 °F). Mélanger la farine, la levure chimique, le bicarbonate de soude, le sel et la muscade et réserver. Avec le fouet plat, battre le beurre à vitesse maximale jusqu'à ce qu'il devienne léger et mousseux. Réduire à vitesse minimale, ajouter le sucre, l'oeuf et la vanille et bien mélanger. Ajouter petit à petit les ingrédients secs et le lait et continuer de battre pour bien mélanger. Façonner la pâte en boules de 1 1/2 po (3,5 cm) de diamètre et les disposer sur des plaques à pâtisserie non beurrées. Écraser légèrement les boules de pâte avec le fond d'un verre. Cuire au four préchauffé 6 ou 7 minutes, jusqu'à ce que le pourtour des biscuits soit légèrement doré. Laisser refroidir sur des grilles.

**Donne 4 douzaines de biscuits.**

## Petits pains mollets

### Ingrédients :

1 tasse (237 ml) d'eau tiède, entre 38 °C et 43 °C (100 °F et 110 °F)  
1 sachet de 0,25 oz (7 g) de levure sèche active  
1/4 tasse (59 ml) de beurre, fondu et refroidi  
3 c. à soupe (44 ml) de sucre  
1 c. à thé (5 ml) de sel  
1 oeuf  
3 à 3 1/2 tasses (710 ml à 828 ml) de farine

### Instructions :

Verser l'eau dans le bol à mélanger. Ajouter la levure et laisser dissoudre 5 minutes. Ajouter le beurre, le sucre, le sel et l'oeuf. Avec le crochet à pâte et le batteur réglé à 2, mélanger les ingrédients environ 30 secondes. Ajouter 3 tasses (710 ml) de farine et mélanger environ 2 minutes à vitesse 4. Ajouter de la farine au besoin jusqu'à l'obtention d'une pâte souple. Couvrir et laisser lever la pâte environ 1 heure dans un endroit chaud.

Préchauffer le four à 180 °C (350 °F). Écraser la pâte et la déposer sur un plan de travail légèrement fariné. Diviser la pâte en 4 puis façonner 4 boules de la taille d'une balle de golf dans chaque quart. Mettre les 16 boules de pâte sur une plaque de cuisson beurrée de 9 po x 13 po (23 cm x 33 cm). Laisser lever environ 30 minutes dans un endroit chaud. Cuire au four préchauffé de 25 à 30 minutes.

**Donne 16 petits pains.**

# Recettes (suite)

## Gâteau danois à la crème sure

### Ingrédients :

#### Garniture

1 1/2 tasse (355 ml) de farine tout usage  
3/4 tasse (177 ml) de beurre non salé, ramolli  
1/3 tasse (79 ml) de cassonade claire, tassée  
1/3 tasse (79 ml) de sucre  
1 1/4 c. à thé (6,2 ml) de cannelle moulue  
1 tasse (237 ml) de pacanes, hachées

#### Gâteau

3/4 tasse (177 ml) de beurre non salé, ramolli  
1 1/4 tasse (296 ml) de sucre granulé  
1 c. à soupe (15 ml) de levure chimique  
3/4 c. à thé (3,7 ml) de bicarbonate de soude  
3/4 c. à thé (3,7 ml) de sel  
4 gros oeufs  
1 c. à soupe (15 ml) d'extrait de vanille  
1 1/2 tasse (355 ml) de crème sure  
2 1/4 tasses (532 ml) de farine tout usage

#### Streusel

1/3 tasse (79 ml) de farine tout usage  
1/2 tasse (118 ml) de cassonade claire tamisée, tassée  
3/4 c. à thé (3,7 ml) de cannelle moulue  
3 c. à soupe (44 ml) de beurre froid

### Instructions :

**Garniture** : Dans un petit bol, mélanger à la fourchette la farine, le beurre, la cassonade, le sucre et la cannelle jusqu'à ce que de gros grumeaux se forment. Ajouter les pacanes et mélanger.

**Streusel** : Dans un autre petit bol, mélanger à la fourchette la farine, la cassonade, la cannelle et le beurre jusqu'à ce que de gros grumeaux se forment.

**Gâteau** : Mettre la grille du four à la position inférieure. Préchauffer le four qà 180 °C (350 °F). Beurrer un moule à bundt cake de 10 po (26 cm).

Avec le fouet plat, battre le beurre en crème à vitesse moyenne. Ajouter le sucre, la levure chimique, le bicarbonate de soude et le sel. Battre 3 minutes à vitesse moyenne. Réduire à vitesse minimale, ajouter les oeufs, un à la fois, jusqu'à ce que le mélange soit homogène. Ajouter la vanille et la crème sure en mélangeant. Ajouter petit à petit la farine. Continuer de mélanger jusqu'à consistance homogène.

Verser environ 2 tasses (473 ml) de cette pâte dans le moule à gâteau préparé. Saupoudrer uniformément de la moitié du mélange de streusel. Recouvrir du reste de pâte à gâteau et saupoudrer du reste de streusel.

Cuire au four préchauffé de 50 à 60 minutes ou jusqu'à ce qu'un cure-dent inséré au centre du gâteau en ressorte propre. Laisser refroidir 30 minutes sur une grille. Renverser le gâteau dans une assiette et le renverser de nouveau sur la grille, garniture sur le dessus. Laisser refroidir complètement.

**Donne 1 gâteau.**

# Notes

# Hamilton Beach garantie limitée de 5 ans

Cette garantie s'applique aux produits achetés et utilisés aux É.-U. et au Canada. C'est la seule garantie expresse pour ce produit et est en lieu et place de tout autre garantie ou condition.

Ce produit est garanti contre tout défaut de matériaux et de main-d'oeuvre pour une période de cinq (5) ans à compter de la date d'achat d'origine. Au cours de cette période, votre seul recours est la réparation ou le remplacement de ce produit ou tout composant s'avérant défectueux, à notre gré, mais vous êtes responsable de tous les coûts liés à l'expédition du produit et le retour d'un produit ou d'un composant dans le cadre de cette garantie. Si le produit ou un composant n'est plus offert, nous le remplacerons par un produit similaire de valeur égale ou supérieure.

Cette garantie ne couvre pas le verre, les filtres, l'usure d'un usage normal, l'utilisation non conforme aux directives imprimées, ou des dommages au produit résultant d'un accident, modification, utilisation abusive ou incorrecte. Cette garantie s'applique seulement à l'acheteur original ou à la personne l'ayant reçu en cadeau. La présentation du reçu de vente d'origine comme preuve d'achat est nécessaire pour faire une réclamation au titre de cette garantie. Cette garantie s'annule si le produit est utilisé autrement que par une famille ou si l'appareil est soumis à toute tension ou forme d'onde différente des caractéristiques nominales précisées sur l'étiquette (par ex. : 120 V ~ 60 Hz).

Nous excluons toutes les réclamations au titre de cette garantie pour les dommages spéciaux, consécutifs et indirects causés par la violation de garantie expresse ou implicite. Toute responsabilité est limitée au prix d'achat. **Chaque garantie implicite, y compris toute garantie ou condition de qualité marchande ou d'adéquation à un usage particulier, est exonérée, sauf dans la mesure interdite par la loi, auquel cas la garantie ou condition est limitée à la durée de cette garantie écrite.** Cette garantie vous donne des droits légaux précis. Vous pouvez avoir d'autres droits qui varient selon l'endroit où vous habitez. Certaines provinces ne permettent pas les limitations sur les garanties implicites ou les dommages spéciaux ou indirects de telle sorte que les limitations ci-dessus ne s'appliquent peut-être pas à votre cas.

Ne pas retourner cet appareil au magasin lors d'une réclamation au titre de cette garantie. Téléphoner au 1.800.851.8900 aux É.-U. ou au 1.800.267.2826 au Canada ou visiter le site internet [www.hamiltonbeach.com](http://www.hamiltonbeach.com) aux É.-U. ou [www.hamiltonbeach.ca](http://www.hamiltonbeach.ca) au Canada. Pour un service plus rapide, trouvez le numéro de modèle, le type d'appareil et les numéros de série sur votre appareil.

Hamilton Beach Brands, Inc.  
4421 Waterfront Drive  
Glen Allen  
Virginia 23060  
USA

## SALVAGUARDIAS IMPORTANTES

Cuando utilice artefactos eléctricos, siempre deben seguirse precauciones de seguridad básicas a fin de reducir el riesgo de incendio, descarga eléctrica, y/o lesiones a personas, incluyendo las siguientes:

1. Lea todas las instrucciones.
2. Este aparato no se destina para utilizarse por personas (incluyendo niños) cuyas capacidades físicas, sensoriales o mentales sean diferentes o estén reducidas, o carezcan de experiencia o conocimiento, a menos que dichas personas reciban una supervisión o capacitación para el funcionamiento del aparato por una persona responsable de su seguridad.
3. Se requiere de una estrecha supervisión cuando el aparato se use cerca de niños. Los niños deben supervisarse para asegurar que ellos no empleen los aparatos como juguete.
4. Verifique que el voltaje de su instalación corresponda con el del producto.
5. Para protegerse contra el riesgo de choque eléctrico, no sumerja el cable, el enchufe ni el cuerpo de la batidora en agua ni en ningún otro líquido.
6. Desenchúfela del tomacorriente cuando no la esté usando, antes de colocar o sacar alguna pieza y antes de la limpieza.
7. Evite todo contacto con piezas móviles. Mantenga las manos, el cabello y la ropa, así como las espátulas y otros utensilios lejos de los accesorios durante la operación para reducir el riesgo de lesiones a personas y/o averías en la batidora.
8. Saque los accesorios de la batidora antes de lavarlos.
9. No deje que el cable cuelgue sobre el borde de una mesa o de un mostrador, o que toque alguna superficie caliente, incluyendo la superficie de una cocina.
10. No opere ningún aparato con cables o enchufe dañados o después de que el aparato funcione mal o se caiga o dañe de cualquier manera. El reemplazo del cable de suministro y las reparaciones deben ser efectuadas por el fabricante, su agente de servicio, o personas igualmente calificadas para poder evitar un peligro. Llame al número de servicio al cliente proporcionado para información sobre examinación, reparación o ajuste.
11. El uso de accesorios no recomendados ni vendidos por el fabricante del aparato para usar con este modelo puede causar incendio, choque eléctrico o lesiones.
12. No lo use al aire libre.
13. No coloque el aparato sobre o cerca de una fuente de gas caliente o de un quemador eléctrico, ni dentro de un horno caliente.
14. Verifique que el control esté en la posición apagada antes de enchufar el cable en el tomacorriente de pared. Para desconectar, coloque el control en la posición APAGADO (●) y luego saque el enchufe del tomacorriente de pared.
15. No use el aparato para ningún otro fin que no sea el indicado.
16. **PRECAUCIÓN:** A fin de evitar un riesgo debido a la reconfiguración inadvertida de la protección térmica, este artefacto no debe recibir suministro mediante un dispositivo de derivación externo, como un temporizador, o conectarse a un circuito que la empresa de servicio active y desactive regularmente.

**¡GUARDE ESTAS INSTRUCCIONES!**



## **Otra Información de Seguridad para el Cliente**

**Este aparato ha sido diseñado solamente para uso doméstico.**

**⚠ ADVERTENCIA Peligro de Descarga Eléctrica:** Este aparato es provisto con un enchufe polarizado (una pata más ancha) para reducir el riesgo de una descarga eléctrica. El enchufe embona únicamente en una dirección dentro de un tomacorriente polarizado. No trate de obviar el propósito de seguridad del enchufe modificándolo de alguna manera o utilizando un adaptador. Si el enchufe no entra completamente en la toma, invierta el enchufe. Si aún no entra, haga que un electricista reemplace la toma.

El largo del cable que se usa en este aparato fue seleccionado para reducir el peligro de que alguien se enganche o tropiece con un cable más largo. Si es necesario usar un cable más largo, se podrá usar un cable de extensión aprobado. La clasificación eléctrica nominal del cable de extensión debe ser igual o mayor que la clasificación nominal del aparato. Es importante tener cuidado de colocar el cable de extensión para que no se pliegue sobre el mostrador o la mesera en donde niños puedan tirar del mismo o tropezarse accidentalmente.

**⚠ ADVERTENCIA Peligro de Piezas en Movimiento.**

Para reducir el riesgo de lesiones personales, siempre desenchufe la batidora antes de colocar o quitar batidores.

### **INFORMACIÓN SOBRE VATAJE/PICO DE ENERGÍA**

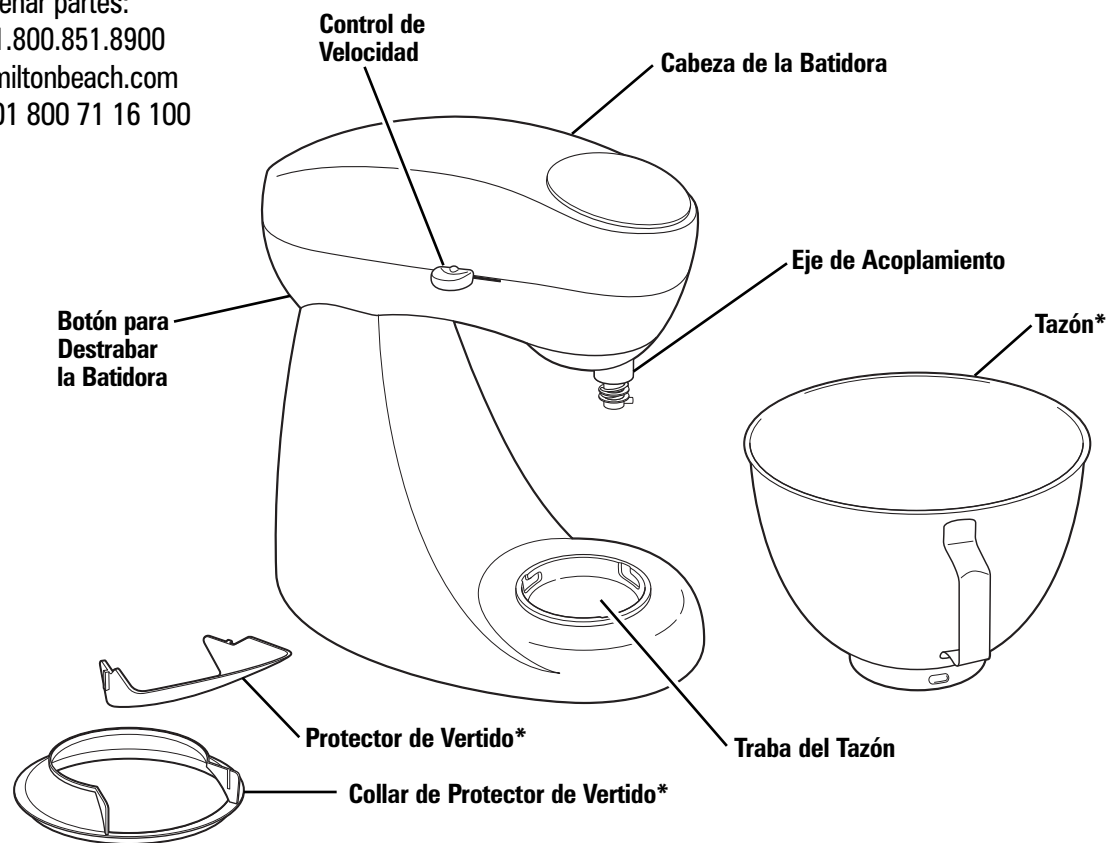
La clasificación marcada de la batidora de pedestal está determinada por las normas de seguridad de una agencia como el consumo de energía estabilizado máximo de la batidora de pedestal a alta velocidad bajo una condición de carga.

El pico de energía es un promedio del vataje máximo que una batidora de mano puede consumir durante la operación inicial a alta velocidad.

# Partes y Características

\*Para ordenar partes:  
EE. UU.: 1.800.851.8900  
www.hamiltonbeach.com  
México: 01 800 71 16 100

**ANTES DEL PRIMER USO:** Lave tazón o accesorios en agua tibia jabonosa; enjuague y seque. Siempre desenchufe la batidora del tomacorriente antes de introducir o quitar accesorios.

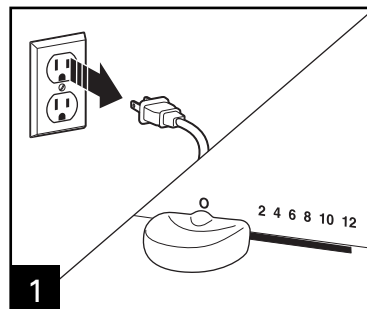


# Cómo Usar

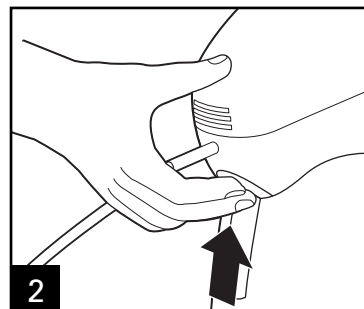
**ANTES DEL PRIMER USO:** Lave tazón o accesorios en agua tibia jabonosa; enjuague y seque. Siempre desenchufe la batidora del tomacorriente antes de introducir o quitar accesorios.

**⚠ ADVERTENCIA** **Riesgo de Cortes y Aplastamientos.**

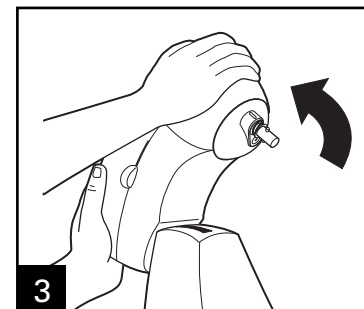
Desenchufe la batidora antes de insertar o quitar los accesorios. El no seguir estas instrucciones puede resultar en fractura de huesos o cortaduras.



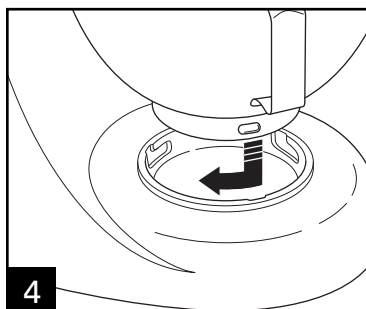
**1** Siempre verifique que la batidora esté desenchufada y que el control de ajuste esté en APAGADO (0).



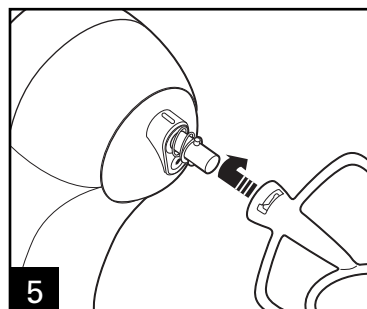
**2** Presione el botón para levantar la batidora.



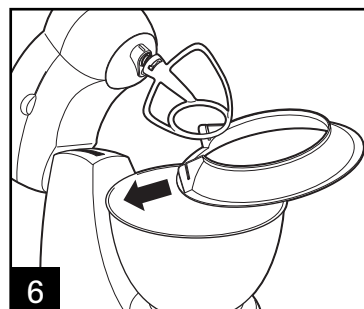
**3** Incline la cabeza de la batidora hacia arriba.



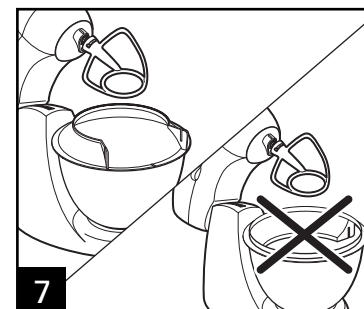
**4** Coloque el tazón en la traba del tazón y gírelo hacia la derecha hasta que encaje en su lugar.



**5** Inserte el accesorio en el eje de acoplamiento y presione hacia arriba tan lejos como le sea posible. Gire el accesorio hacia la derecha, enganchando el accesorio sobre el gancho del eje.

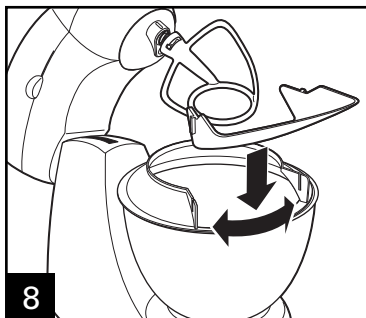


**6** Deslice la sección angosta del collar de protector de vertido debajo del accesorio de la batidora.

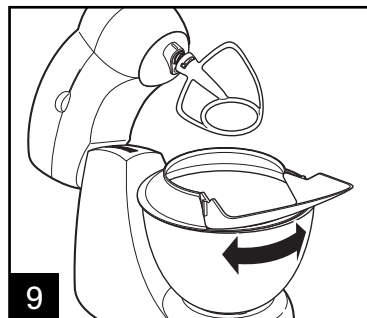


**7** Coloque el collar de protector de vertido en el tazón. Los lados del protector deben estar en posición elevada en el tazón cuando se halla colocado en forma correcta.

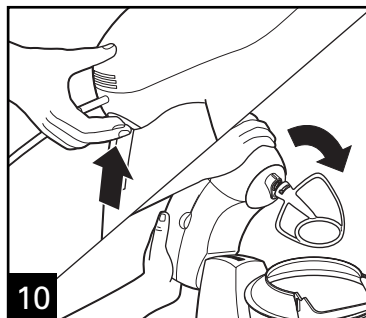
# Cómo Usar (cont.)



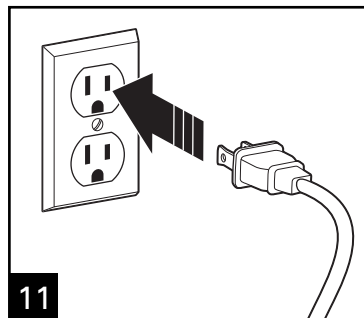
**8** Inserte las lengüetas del protector de vertido en las ranuras que están sobre el collar.



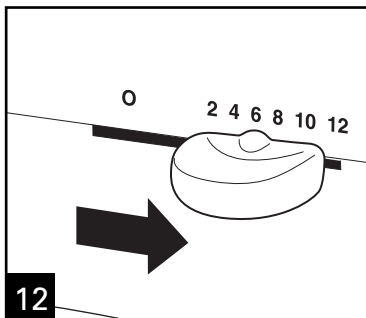
**9** Gire la abertura del protector de vertido y el collar hacia la posición deseada.



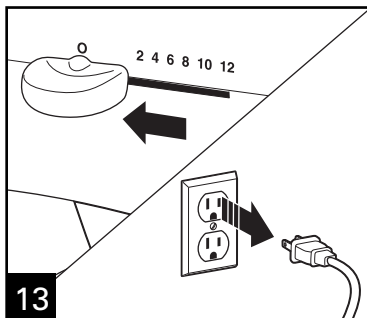
**10** Presione hacia arriba el botón para destrabar la batidora e incline la cabeza de la batidora hacia abajo.



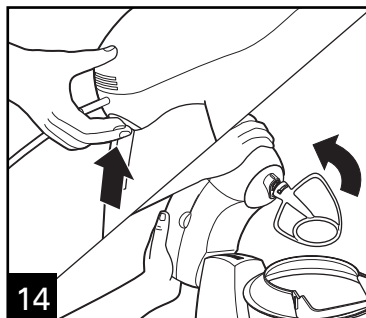
**11** Enchufe la batidora en un tomacorriente.



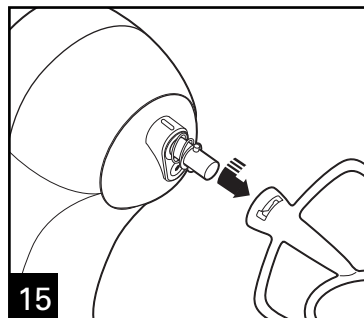
**12** Seleccione la velocidad deseada.



**13** Cuando haya terminado, deslice el control de velocidad a APAGADO (0). Desenchufe del tomacorriente.



**14** Presione hacia arriba el botón para destrabar la batidora e incline la cabeza de la batidora hacia arriba.



**15** Quite el accesorio presionándolo hacia arriba lo máximo posible. Gire el accesorio en sentido contrario a las agujas del reloj y tire para quitarlo.

# Guía de Batido

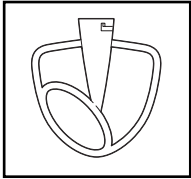
La siguiente guía de batido es una sugerencia para seleccionar velocidades de batido. Comience en la configuración 2 y suba hasta la velocidad deseada en base a la consistencia de la receta.

ALIMENTO	ACCESORIO	CONFIGURACIÓN
Pasteles (mezclas comerciales y caseras)	Batidor tradicional	4-6
Masa para galletas	Batidor tradicional	4-6
Puré de papas	Batidor tradicional	6-8
Glaseado	Batidor tradicional	6-8
Claros de huevo (para merengues, etc.)	Batidor	10-12
Crema batida	Batidor	12
Budín instantáneo	Batidor	2
Pan	Gancho para Masa	2-4

## Consejos Generales para Batir

- Coloque primero los ingredientes líquidos en el tazón y luego agregue los ingredientes secos.
- Siempre permanezca cerca de la batidora durante el uso.
- Para comenzar a batir, utilice las velocidades más bajas hasta que los ingredientes estén bien mezclados. Esto reducirá las salpicaduras.
- Siempre agregue los ingredientes tan cerca de los lados del tazón como le sea posible, no lo haga directamente dentro de la batidora en movimiento.
- Cuando prepare paquetes con mezclas para pastel, use la configuración 2 para una velocidad baja, ajuste 4 para una velocidad media y configuración 6 para una velocidad alta. Para obtener óptimos resultados, bata por el tiempo indicado en las instrucciones del paquete.
- Las mezclas que contienen grandes cantidades de ingredientes líquidos deben batirse a velocidades bajas para evitar salpicaduras. Aumente la velocidad solamente después de que la mezcla se haya espesado.
- Cuando bata masas poco espesas use velocidades medias y detenga con frecuencia la batidora para raspar las paredes del tazón con una espátula.

# Consejos para el Batidor Tradicional



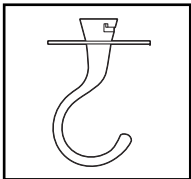
El batidor tradicional se utiliza para la mayoría de sus necesidades de batido.

Use el batidor tradicional para mezclar pasteles, masa de galletas, caramelo y papas.

La masa de galletas es una de las masas más espesas para mezclar. Haga esta tarea más fácil siguiendo estos consejos:

- Tenga la mantequilla o la margarina a temperatura ambiente.
- Agregue los ingredientes uno por uno y mezcle bien después de cada adición.
- Agregue harina una taza por vez.
- Si la batidora parece hacer mucha fuerza, aumente la velocidad.

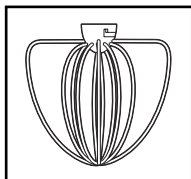
# Consejos para el Gancho para Masa



El gancho para masa es para recetas que requieren amasado.

- Siempre permanezca cerca de la batidora durante el uso.
- Si una cuchara queda accidentalmente atrapada en un accesorio o si el motor se atasca, deslice el control de velocidad a APAGADO (●) y luego desenchufe. Saque el objeto o reduzca la cantidad de la mezcla en el tazón. Deje que el motor se enfríe por 5 minutos antes de continuar.

# Consejos para el Batidor



- El batidor de alambre está diseñado para batir líquidos como claras de huevos y crema. No use el batidor de alambre para batir mezclas espesas como masa, caramelo o puré de papas.
- Su batidora está diseñada para batir un mínimo de 2 claras de huevo grandes o 1 taza (237 ml) de crema. El funcionamiento de la batidora mejora cuando la punta del batidor se sumerge en el líquido. Si se necesitan cantidades menores, se recomienda una batidora de mano.

## CLARAS DE HUEVO

Coloque las claras de huevo en un tazón para mezclar limpio y seco. Coloque el tazón y el batidor. Para evitar salpicaduras, gire gradualmente el control de velocidad a la velocidad deseada. Vea el cuadro debajo.

CANTIDAD	CONFIGURACIÓN
de 2 a 4 claras de huevo	hasta 10
6 o más claras de huevo	hasta 8

Su batidora de pedestal bate rápidamente las claras de huevo. Mire con cuidado para que no se batan de más. He aquí lo que se espera:

**Espumosas:** Burbujas de aire grandes y desiguales.

**Comienzan a Tomar Forma:** Las burbujas de aire son finas y compactas; el producto está blanco.

**Pico Suave:** Las puntas de los picos se caen cuando se saca el batidor.

**Casi firmes:** Se forman picos marcados cuando se saca el batidor, pero las claras todavía están blandas.

**Firme Pero no Seco:** Se forman picos marcados y firmes cuando se saca el batidor. Las claras tienen color uniforme y brillan.

**Firme y Seco:** Se forman picos marcados y firmes cuando se saca el batidor. Las claras tienen pintitas y apariencia opaca.

## CREMA BATIDA

Vierta la crema para batir fría en un tazón frío. Coloque el tazón y el batidor. Para evitar salpicaduras, gire gradualmente el control de velocidad a la velocidad deseada. Vea el cuadro debajo.

CANTIDAD	CONFIGURACIÓN
1 taza (237 ml)	hasta 10
1 pinta (473 ml)	hasta 8

Su batidora de pedestal bate rápidamente la crema. Cuide la crema atentamente durante el batido, ya que transcurren pocos segundos entre las etapas de batido. Busque estas características:

**Comienza a Espesar:** La crema es espesa y similar al flan.

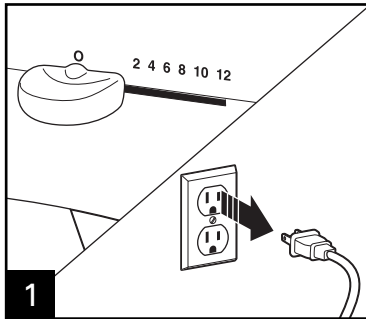
**Mantiene la Forma:** La crema forma picos suaves cuando se saca el batidor. Puede agregarse a los otros ingredientes cuando haga postres y salsas.

**Firme:** La crema permanece con picos firmes y marcados cuando se saca el batidor. Use como baño para crema en pasteles o postres, o como relleno para bollos de crema.

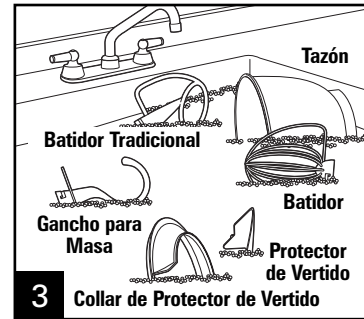
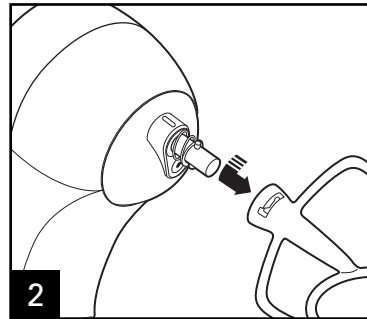
# Cuidado y Limpieza

**⚠ ADVERTENCIA Peligro de Descarga Eléctrica.**

No sumerja la batidora, el cable o el enchufe en agua o en otro líquido.



1 Siempre verifique que la batidora esté desenchufada y que el control de velocidad esté en APAGADO (0).



No utilice la configuración "SANI" cuando la lave en el lavavajillas. Las temperaturas del ciclo "SANI" pueden dañar su producto.





# Resolviendo Problemas

## PROBLEMA

## CAUSA PROBABLE/SOLUCIÓN

El alimento no está mezclado.

- Coloque los ingredientes líquidos en el tazón antes de agregar los ingredientes secos.
- Detenga la batidora y raspe las paredes del tazón.
- Aumente la velocidad.

El alimento se salpica durante el batido.

- Las mezclas que contienen grandes cantidades de ingredientes líquidos deben batirse a velocidades bajas para evitar salpicaduras. Aumente la velocidad solamente después de que la mezcla se haya espesado.

La batidora “camina” sobre el mostrador durante el mezclado.

- Reduzca la velocidad.
- Reduzca la cantidad de los ingredientes en el tazón.
- Asegúrese de que esté limpio el mostrador. Esto permite que los pies de la batidora se agarren al mostrador, disminuyendo el movimiento de ésta.

# Recetas

## Pastel Terciopelo de Capas de Chocolate

### Ingredientes:

2 tazas (473 ml) harina para pastel  
1/2 taza (118 ml) de cacao para hornear sin endulzar  
2 cucharaditas (10 ml) bicarbonato de sodio  
1/4 cucharadita (1.2 ml) de sal  
10 cucharadas (148 ml) de mantequilla, a temperatura ambiente  
2 tazas (473 ml) azúcar moreno clara, en paquete  
2 huevos  
1 cucharadita (5 ml) vainilla  
3/4 taza (177 ml) crema agria  
3/4 taza (177 ml) café preparado frío

### Instrucciones:

Precaliente el horno a 350°F (180°C). En un tazón pequeño, mezcle la harina, el cacao, el bicarbonato y la sal. Separe. Utilizando el batidor tradicional, mezcle la mantequilla y el azúcar en la configuración 4. Agregue los huevos, uno por vez, mezclando bien después de verterlos. Agregue la vainilla. Reduzca la velocidad a la configuración 2. Agregue la mitad de la mezcla de harina, luego toda la crema agria. Agregue la mezcla restante de harina; luego vierta el café lentamente. Mezcle en la configuración 2 por alrededor de 30 segundos. Apague la batidora y raspe los lados y el fondo del tazón. Encienda la batidora en la configuración 4 y mezcle hasta que quede bien homogéneo. Divida la masa entre 2 moldes redondos para pasteles enmantecados y recubiertos con papel encerado de 9 pulgadas (23 cm). Hornee por 30 a 35 minutos o hasta comprobar que estén listos. Deje enfriar en una bandeja por 5 minutos; luego quite de la bandeja y enfríe sobre una rejilla. Coloque glaseado de chocolate amargo.

**Rinde para un pastel de 2 capas.**

## Glaseado de Chocolate Amargo

### Ingredientes:

1/3 taza (79 ml) de mantequilla, a temperatura ambiente  
2 1/2 tazas (591 ml) azúcar en polvo  
3/4 taza (177 ml) de cacao para hornear sin endulzar  
1/4 taza (59 ml) de leche  
1 a 2 cucharadas (15 a 30 ml) café preparado frío  
1 cucharadita (5 ml) vainilla

### Instrucciones:

Utilizando el batidor tradicional, bata la mantequilla en la configuración 4 hasta que quede homogénea. Agregue el azúcar en polvo y el cacao en forma alternativa con la leche y siga batiendo hasta que quede homogéneo. Agregue vainilla y bata hasta que quede bien mezclado.

## Galletas Mágicas

### Ingredientes:

1 taza (237 ml) mantequilla  
1 taza (237 ml) de azúcar  
1 taza (237 ml) azúcar moreno clara  
2 huevos  
2 tazas (473 ml) harina  
1 cucharadita (5 ml) bicarbonato de sodio  
1/2 cucharadita (2.5 ml) polvo para hornear  
1/2 cucharadita (2.5 ml) de sal  
2 tazas (473 ml) avena  
1 cucharada (15 ml) vainilla  
12 oz (340 g) trocitos de chocolate  
1 1/2 tazas (355 ml) de coco

### Instrucciones:

Precaliente el horno a 350°F (180°C). Con el batidor tradicional, mezcle la mantequilla, el azúcar y el azúcar moreno en una configuración media hasta mezclar bien. Vierta la vainilla y los huevos. Reduzca la velocidad y gradualmente agregue la harina, el bicarbonato de sodio, el polvo para hornear y la sal y mezcle hasta que quede homogéneo. En una configuración baja mezcle la avena, los trocitos de chocolate y el coco hasta que queden bien mezclados. Coloque cucharadas llenas sobre una bandeja para galletas sin enmantecar. Hornee en la bandeja del horno del medio por 12 a 14 minutos.

**Rinde para 3 docenas de galletas.**

# Recetas (cont.)

## Galletas de Azúcar Las Mejores

### Ingredientes:

2 1/2 tazas (591 ml) de harina común  
1 cucharadita (5 ml) polvo para hornear  
1/2 cucharadita (2.5 ml) bicarbonato de sodio  
1/4 cucharadita (1.2 ml) de sal  
1/4 cucharadita (1.2 ml) nuez moscada  
3/4 taza (177 ml) mantequilla, derretida  
3/4 taza (177 ml) de azúcar  
1 huevo  
1 cucharadita (5 ml) vainilla  
1/4 taza (59 ml) de leche

### Instrucciones:

Pre caliente el horno a 375°F (190°C). Mezcle la harina, el polvo para hornear, el bicarbonato de sodio, la sal, la nuez moscada y dejarlos de lado. Utilizando el batidor tradicional, bata la mantequilla a velocidad alta hasta que quede suave y esponjosa. Reduzca la velocidad a la configuración más baja. Agregue el azúcar, el huevo y la vainilla y mezcle bien. Gradualmente agregue los ingredientes secos y la leche; siga batiendo hasta que quede bien mezclado. Forme la masa de galletas en bolas de un diámetro de 1 1/2 pulgadas (3.5 cm) y colóquelas sobre bandejas para hornear sin enmantecar. Aplaste las bolas ligeramente con la base de un vaso. Hornee en el horno de 6 a 7 minutos o hasta que queden ligeramente doradas en los bordes. Enfríe en rejillas de alambre.

**Rinde para 4 docenas.**

## Pancitos Simples de Levadura

### Ingredientes:

1 taza (237 ml) agua tibia, 100° a 110°F (38° a 43°C)  
.25 oz (7 g) paquete de levadura seca activa  
1/4 taza (59 ml) mantequilla, derretida y enfriada  
3 cucharadas (44 ml) de azúcar  
1 cucharadita (5 ml) de sal  
1 huevo  
3 a 3 1/2 tazas (710 a 828 ml) harina

### Instrucciones:

Vierta el agua en un tazón. Agregue la levadura y deje disolver por 5 minutos. Agregue la mantequilla, el azúcar, la sal y el huevo. Utilizando el gancho para masa, mezcle a configuración 2 por 30 segundos. Agregue 3 tazas (710 ml) de la harina y mezcle a configuración 4 por 2 minutos. Agregue harina adicional, si fuera necesario, para obtener una masa suave. Cubra y deje levar en un lugar tibio por alrededor de 1 hora.

Pre caliente el horno a 350°F (180°C). Tome la masa y colóquela sobre una superficie ligeramente enharinada. Divida la masa en 4 porciones iguales; luego divida cada porción en 4 bolas del tamaño de una pelota de golf. Coloque las 16 bolas en una bandeja para hornear enmantecada de 9 x 13 pulgadas (23 x 33 cm). Deje levar en un lugar tibio por 30 minutos. Hornee de 25 a 30 minutos.

**Rinde para 16 pancitos.**

# Recetas (cont.)

## Pastel de Café y Crema Agria

### Ingredientes:

#### Cobertura de Migajas

- 1 1/2 tazas (355 ml) de harina común
- 1 1/2 palos (3/4 taza [177 ml]) mantequilla sin sal, derretida
- 1/3 taza (79 ml) azúcar moreno clara, en paquete
- 1/3 taza (79 ml) de azúcar
- 1 1/4 cucharaditas (6.2 ml) canela molida
- 1 taza (237 ml) pecanas, picadas

#### Pastel

- 1 1/2 palos (3/4 taza [177 ml]) mantequilla sin sal, derretida
- 1 1/4 tazas (296 ml) de azúcar
- 1 cucharada (15 ml) polvo para hornear
- 3/4 cucharadita (3.7 ml) bicarbonato de sodio
- 3/4 cucharadita (3.7 ml) de sal
- 4 huevos grandes
- 1 cucharada (15 ml) vainilla
- 1 1/2 tazas (355 ml) crema agria
- 2 1/4 tazas (532 ml) de harina común

#### Streusel

- 1/3 taza (79 ml) de harina común
- 1/2 taza (118 ml) azúcar moreno clara, en paquete, dividida
- 3/4 cucharadita (3.7 ml) canela molida
- 3 cucharadas (44 ml) mantequilla fría

### Instrucciones:

**Cobertura de Migajas:** En un tazón pequeño mezcle la harina, la mantequilla, el azúcar moreno, el azúcar granulado y la canela; mezcle con un tenedor hasta formar migajas grandes. Agregue las pecanas y mezcle para incorporarlas.

**Streusel:** En otro tazón pequeño, mezcle la harina, el azúcar moreno, la canela y la mantequilla. Mezcle con un tenedor hasta formar migajas grandes.

**Pastel:** Coloque la parrilla del horno en la posición más baja. Precaliente el horno a 350°F (180°C). Enmanteque un recipiente para bundt de 10 pulgadas (26 cm).

Utilizando el batidor tradicional, mezcle la mantequilla a velocidad media hasta que quede homogénea. Agregue el azúcar, el polvo para hornear, el bicarbonato de sodio y la sal. Bata a velocidad media durante 3 minutos. Con la batidora a velocidad baja, agregue los huevos, 1 por vez, hasta mezclar bien. Vierta la vainilla y la crema agria. Agregue la harina en forma gradual. Siga mezclando hasta que quede bien homogéneo.

Coloque 2 tazas (473 ml) de mezcla en el fondo de un recipiente preparado. Vierta en forma pareja con la mitad de la mezcla de streusel. Repita. Esparza la masa restante sobre la parte superior con la cobertura de migajas.

Hornee de 50 a 60 minutos o hasta que un escarbadienies salga limpio al introducirlo en el centro del pastel. Enfríe en una rejilla de alambre durante 30 minutos. Invierta el pastel en un plato y luego délo vuelta en una rejilla con el lado de la cobertura hacia arriba. Enfríe por completo.

**Rinde para un pastel.**

# Notas



Grupo HB PS, S.A. de C.V.  
Monte Elbruz 124-301  
Colonia Palmitas, Delegación Miguel Hidalgo  
C.P. 11560, México, Distrito Federal  
01 800 71 16 100

### PÓLIZA DE GARANTÍA

PRODUCTO:	MARCA:		MODELO:
Grupo HB PS, S.A. de C.V. cuenta con una Red de Centros de Servicio Autorizada, por favor consulte en la lista anexa el nombre y dirección de los establecimientos en la República Mexicana en donde usted podrá hacer efectiva la garantía, obtener partes, componentes, consumibles y accesorios; así como también obtener servicio para productos fuera de garantía. Para mayor información llame sin costo: <b>Centro de Atención al consumidor: 01 800 71 16 100</b>			
Grupo HB PS, S.A. de C.V. le otorga a partir de la fecha de compra: <b>GARANTÍA DE 5 AÑOS</b>			
<b>COBERTURA</b>			
<ul style="list-style-type: none"><li>• Esta garantía ampara, todas las piezas y componentes del producto que resulten con defecto de fabricación incluyendo la mano de obra.</li><li>• Grupo HB PS, S.A. de C.V. se obliga a reemplazar, reparar o reponer, cualquier pieza o componente defectuoso; proporcionar la mano de obra necesaria para su diagnóstico y reparación, todo lo anterior sin costo adicional para el consumidor.</li><li>• Esta garantía incluye los gastos de transportación del producto que deriven de su cumplimiento dentro de su red de servicio.</li></ul>			
<b>LIMITACIONES</b>			
<ul style="list-style-type: none"><li>• Esta garantía no ampara el reemplazo de piezas deterioradas por uso o por desgaste normal, como son: cuchillas, vasos, jarras, filtros, etc.</li><li>• Grupo HB PS, S.A. de C.V. no se hace responsable por los accidentes producidos a consecuencia de una instalación eléctrica defectuosa, ausencia de toma de tierra, clavija de enchufe en mal estado, etc.</li></ul>			
<b>EXCEPCIONES</b>			
Esta garantía no será efectiva en los siguientes casos: <ul style="list-style-type: none"><li>a) Cuando el producto se hubiese utilizado en condiciones distintas a las normales. (Uso industrial, semi-industrial o comercial.)</li><li>b) Cuando el producto no hubiese sido operado de acuerdo con el instructivo de uso.</li><li>c) Cuando el producto hubiese sido alterado o reparado por personas no autorizadas por Grupo HB PS, S.A. de C.V. el fabricante nacional, importador o comercializador responsable respectivo.</li></ul> El consumidor puede solicitar que se haga efectiva la garantía ante la propia casa comercial donde adquirió su producto, siempre y cuando Grupo HB PS, S.A. de C.V. no cuente con talleres de servicio.			

**PROCEDIMIENTO PARA HACER EFECTIVA LA GARANTÍA**

- Para hacer efectiva la garantía no deben exigirse mayores requisitos que la presentación del producto y la póliza correspondiente, debidamente sellada por el establecimiento que lo vendió.
- Para hacer efectiva la garantía, lleve su aparato al Centro de Servicio Autorizado más cercano a su domicilio (consulte la lista anexa).
- Si no existe Centro de Servicio Autorizado en su localidad llame a nuestro Centro de Atención al Consumidor para recibir instrucciones de como hacer efectiva su garantía.
- El tiempo de reparación, en ningún caso será mayor de 30 días naturales contados a partir de la fecha de recepción del producto en nuestros Centros de Servicio Autorizados.
- En caso de que el producto haya sido reparado o sometido a mantenimiento y el mismo presente deficiencias imputables al autor de la reparación o del mantenimiento dentro de los treinta días naturales posteriores a la entrega del producto al consumidor, éste tendrá derecho a que sea reparado o mantenido de nuevo sin costo alguno. Si el plazo de la garantía es superior a los treinta días naturales, se estará a dicho plazo.
- El tiempo que duren las reparaciones efectuadas al amparo de la garantía no es computable dentro del plazo de la misma. Cuando el bien haya sido reparado se iniciará la garantía respecto de las piezas repuestas y continuará con relación al resto. En el caso de reposición del bien deberá renovarse el plazo de la garantía.

FECHA DE ENTREGA	SELLO DEL VENDEDOR	QUEJAS Y SUGERENCIAS
DÍA__ MES__ AÑO__		Si desea hacer comentarios o sugerencias con respecto a nuestro servicio o tiene alguna queja derivada de la atención recibida en alguno de nuestros Centros de Servicio Autorizados, por favor dirigirse a: <b>GERENCIA INTERNACIONAL DE SERVICIO</b> 01 800 71 16 100 Email: <a href="mailto:mexico.service@hamiltonbeach.com.mx">mexico.service@hamiltonbeach.com.mx</a>

**RED DE CENTROS DE SERVICIO AUTORIZADA GRUPO HB PS, S.A. DE C.V.**

**Distrito Federal**

**ELECTRODOMÉSTICOS**

Av. Plutarco Elias Cailles No. 1499  
 Zacahuitzco MEXICO 09490 D.F.  
 Tel: 01 55 5235 2323 • Fax: 01 55 5243 1397

**CASA GARCIA**

Av. Patriotismo No. 875-B  
 Mixcoac MEXICO 03910 D.F.  
 Tel: 01 55 5563 8723 • Fax: 01 55 5615 1856

**Nuevo Leon**

**FERNANDO SEPULVEDA REFACCIONES**

Ruperto Martínez No. 238 Ote.  
 Centro MONTERREY, 64000 N.L.  
 Tel: 01 81 8343 6700 • Fax: 01 81 8344 0486

**Jalisco**

**SERVICIOS DE MANTENIMIENTO CASTILLO**

Garibaldi No. 1450  
 Ladrón de Guevara  
 GUADALAJARA 44660 Jal.  
 Tel: 01 33 3825 3480 • Fax: 01 33 3826 1914

**Chihuahua**

**DISTRIBUIDORA TURMIX**

Av. Paseo Triunfo de la Rep. No. 5289 Local 2 A.  
 Int. Hipermart  
 Alamos de San Lorenzo  
 CD. JUAREZ 32340 Chih.  
 Tel: 01 656 617 8030 • Fax: 01 656 617 8030

**Modelo:**  
63233

**Tipo:**  
SM04

**Características Eléctricas:**  
120 V ~ 60 Hz 400 W

**Los modelos incluidos en el instructivo de Uso y Cuidado pueden ir seguidos o no por un sufijo correspondiente a una o varias letras del alfabeto y sus combinaciones, separadas o no por un espacio, coma, diagonal, o guión. Como ejemplos los sufijos pueden ser: "Y" y/o "MX" y/o "MXY" y/o "Z".**



Hamilton Beach Brands, Inc. • 4421 Waterfront Drive • Glen Allen, VA 23060  
[www.hamiltonbeach.com](http://www.hamiltonbeach.com) • 1.800.851.8900

840260100 02/2016