

**READ BEFORE USE
LIRE AVANT UTILISATION
LEA ANTES DE USAR**

Visit www.hamiltonbeach.com for our complete line of products and Use and Care Guides – as well as delicious recipes, tips, and to register your product online!

Rendez-vous sur www.hamiltonbeach.ca pour notre liste complète de produits et de nos manuels utilisateur – ainsi que nos délicieuses recettes et nos conseils !

¡Visite www.hamiltonbeach.com (EE. UU.) o www.hamiltonbeach.com.mx (México) para ver otros productos de Hamilton Beach o para contactarnos!

Questions?

Please call us – our friendly associates are ready to help.
USA: 1.800.851.8900

Questions ?

N'hésitez pas à nous appeler – nos associés s'empresseront de vous aider.
CAN : 1.800.267.2826

¿Preguntas?

Por favor llámenos – nuestros amables representantes están listos para ayudar.

EE. UU.: 1.800.851.8900

MEX: 01 800 71 16 100

Le invitamos a leer cuidadosamente este instructivo antes de usar su aparato.

Hamilton Beach®



Coffee
Maker
Cafetière
Cafetera

English	2
Français	13
Español	24

IMPORTANT SAFEGUARDS

When using electrical appliances, basic safety precautions should always be followed to reduce the risk of fire, electric shock, and/or injury to persons, including the following:

1. Read all instructions.
2. This appliance is not intended for use by persons (including children) with reduced physical, sensory, or mental capabilities, or lack of experience and knowledge, unless they are closely supervised and instructed concerning use of the appliance by a person responsible for their safety.
3. Close supervision is necessary when any appliance is used by or near children. Children should be supervised to ensure that they do not play with the appliance.
4. Do not touch hot surfaces. Use handles or knobs. Care must be taken, as burns can occur from touching hot parts or from spilled, hot liquid.
5. To protect against electric shock, do not place cord, plug, or coffee maker in water or other liquid.
6. Unplug from outlet when either the coffee maker or clock is not in use and before cleaning. Allow to cool before putting on or taking off parts and before cleaning the appliance.
7. Coffee maker must be operated on a flat surface away from the edge of counter to prevent accidental tipping.
8. Do not operate any appliance with a damaged supply cord or plug, or after the appliance malfunctions or has been dropped or damaged in any manner. Supply cord replacement and repairs must be conducted by the manufacturer, its service agent, or similarly qualified persons in order to avoid a hazard. Call the provided customer service number for information on examination, repair, or adjustment.
9. The use of accessory attachments not recommended by the appliance manufacturer may cause injuries.
10. Do not use outdoors.
11. Do not let cord hang over edge of table or counter or touch hot surfaces, including the stove.
12. Be certain lid is securely in place during brew cycle and when pouring coffee. Do not use force when placing lid on carafe.
13. Do not place coffee maker on or near a hot gas or electric burner or in a heated oven.
14. To disconnect coffee maker, turn controls to OFF (O) and then remove plug from wall outlet.
15. **WARNING!** To reduce the risk of fire or electric shock, do not remove the bottom cover. No user-serviceable parts are inside. Repair should be done by authorized service personnel only.
16. Do not use appliance for other than intended use.
17. The carafe is designed for use with this coffee maker. It must never be used on a range top or in a microwave oven.
18. Do not set a hot glass carafe on a wet or cold surface.
19. Do not use a cracked carafe or one with a loose or weakened handle.
20. Do not clean glass carafe with cleansers, steel wool pads, or other abrasive materials.

SAVE THESE INSTRUCTIONS!

Other Consumer Safety Information

This appliance is intended for household use only.

⚠ WARNING Electrical Shock Hazard: This appliance is provided with a polarized plug (one wide blade) to reduce the risk of electric shock. The plug fits only one way into a polarized outlet. Do not defeat the safety purpose of the plug by modifying the plug in any way or by using an adapter. If the plug does not fit fully into the outlet, reverse the plug. If it still does not fit, have an electrician replace the outlet.

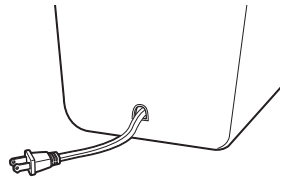
The length of the cord used on this appliance was selected to reduce the hazards of becoming tangled in or tripping over a longer cord. If a longer cord is necessary, an approved extension cord may be used. The electrical rating of the extension cord must be equal to or greater than the rating of the appliance. Care must be taken to arrange the extension cord so that it will not drape over the countertop or tabletop where it can be pulled on by children or accidentally tripped over.

To avoid an electrical circuit overload, do not use another high-wattage appliance on the same circuit with this appliance.

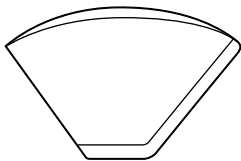
Parts and Features

*To order parts:
 US: 1.800.851.8900
www.hamiltonbeach.com
 Canada: 1.800.267.2826
 Mexico: 01 800 71 16 100

BEFORE FIRST USE: Wash all removable parts in hot, soapy water. Rinse and dry. Brew one cycle with water on each side and discard water.



Cord Storage



**Starter Package
 Melitta #4 Cone
 Paper Filters
 (available with
 certain models)**



Clock and Controls

NOTE: Keep-Warm Button is on glass carafe models only.

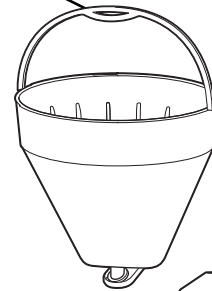


**Thermal Carafe Model*
 (10-cup capacity)
 (available with
 certain models)**

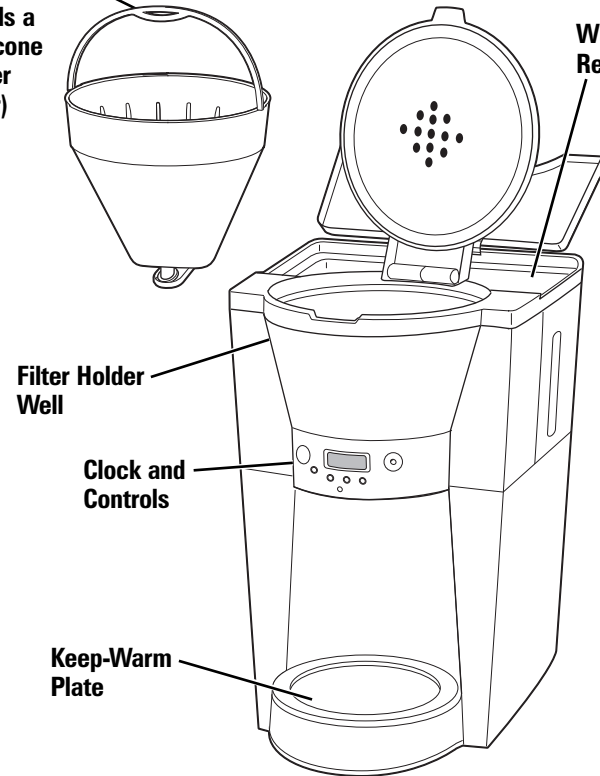


**Glass Carafe Model*
 (12-cup capacity)
 (available with
 certain models)**

**Filter Holder*
 (holds a
 #4 cone
 paper
 filter)**



**Water
 Reservoir**



**Filter Holder
 Well**

**Clock and
 Controls**

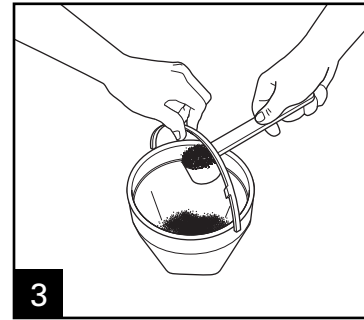
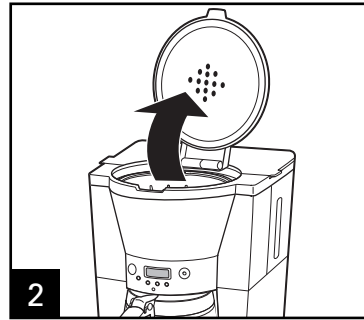
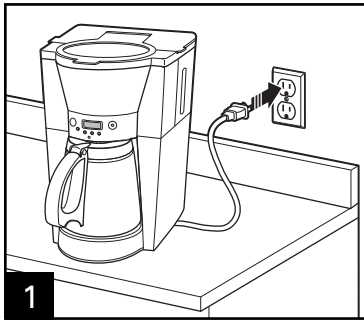
**Keep-Warm
 Plate**

Using the Coffee Maker

⚠ WARNING Burn Hazard.

To avoid hot coffee overflowing from the filter basket:

- When using decaffeinated coffee, do not exceed the coffee manufacturer's recommended serving amount.
- If filter basket overflow occurs, unplug coffeemaker and allow coffee in filter basket to cool before removing filter basket.

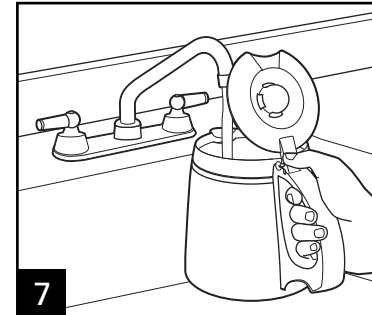
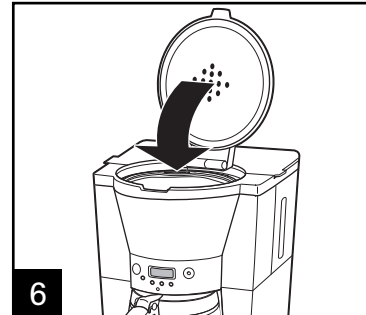
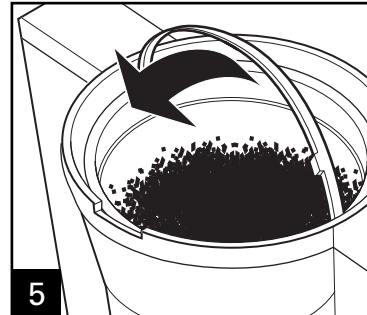
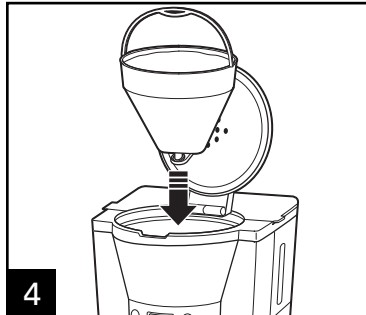


Use No. 4 disposable paper cone filters. Ensure the filter is fully inserted into the filter holder. The coffee filter should be folded along the crimp on the sides and the bottom for proper placement. This will prevent the filter from collapsing during brewing.

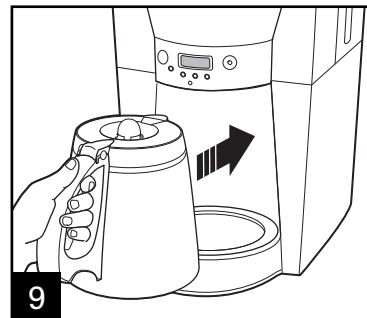
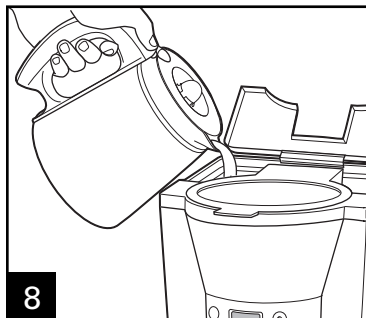
For each cup of coffee being made, use one level tablespoon of grounds. Use slightly less grounds for decaf or flavored coffees—these blends can cause overflow if too much is used.

TIP: If using freshly ground coffee, a fine to medium grind will yield best results.

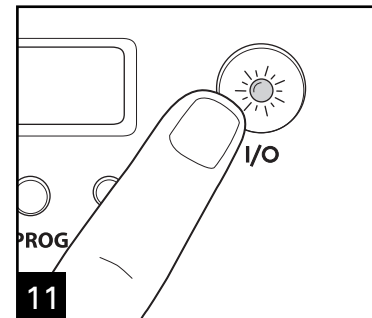
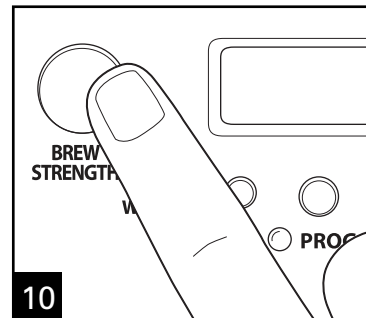
Using the Coffee Maker (cont.)



NOTE: The filter holder will only fit one way into the filter holder well. The plastic handle should fold towards you when the filter holder is placed properly in the filter holder well.



NOTE: When filling the water reservoir, using a carafe other than the one intended for this product may cause overflow. Use only the carafe supplied with your unit or its exact replacement.



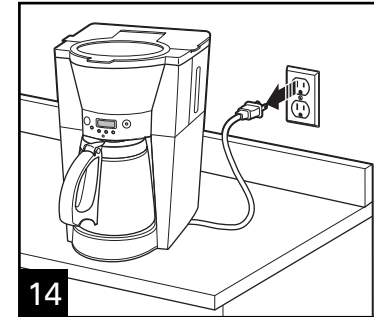
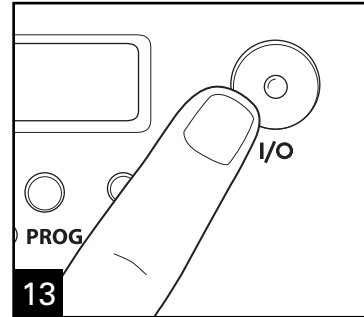
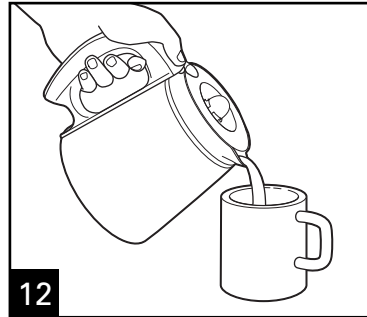
When setting coffee strength, the "Regular" setting will make standard-strength coffee. To make stronger coffee, press the **BREW STRENGTH** button to select desired setting. Over time, you will be able to determine the best ratio of water, coffee grinds, and brew options you prefer. Press the ON/OFF (I/O) button to start the coffee maker.

Using the Coffee Maker (cont.)

PAUSE AND SERVE:

To serve coffee during the brewing cycle, remove carafe and pour a cup. By removing the carafe, the flow of coffee from the bottom of the filter basket will stop.

⚠ WARNING Burn Hazard. The carafe must be replaced within 20 seconds of being removed to prevent overflow.



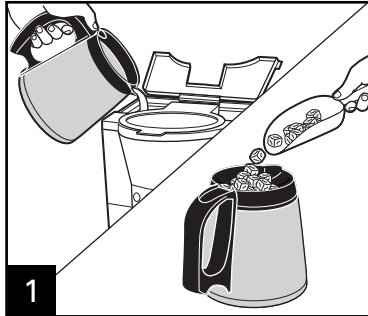
Press the ON/OFF (I/O) button again to turn the unit off.

NOTE: Your glass carafe coffee maker is equipped with a 2-hour automatic shutoff. If not turned off, the unit will keep the coffee warm for 2 hours, then automatically turn off. Thermal carafe models shut off immediately after finishing brewing.

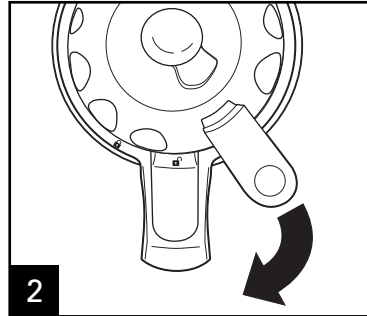
Tips for Best-Tasting Coffee

- All coffees are made from either arabica beans or robusta beans, or some combination of both. Arabica beans are slightly more expensive, but tend to produce better-tasting coffee.
- Ground coffee will become stale much faster than whole beans. If buying preground coffee, choose a package with the latest expiration date or a smaller quantity.
- If grinding whole beans, set your coffee grinder on a fine/medium grind. This will yield the best-tasting grounds. Try to use freshly ground coffee within about a week of grinding.
- Using a water filter, filtered water, or bottled water will yield better-tasting coffee than tap water.
- Use approximately 1 tablespoon (15 ml) of grounds for each cup of coffee being made. To avoid overflow, use slightly less grounds (3/4 tablespoon [11.1 ml]) when brewing decaf or flavored coffees. Also, be aware that using coffee that is ground too finely may also cause the filter basket to overflow.
- Make sure your coffeemaker is clean. See "Care and Cleaning" section.

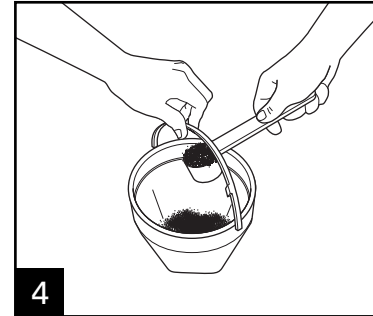
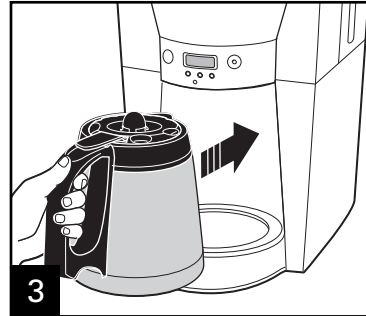
How to Make Iced Coffee (For Thermal Carafe models only)



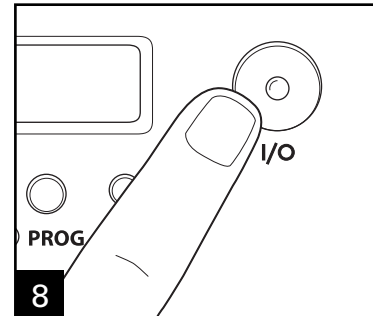
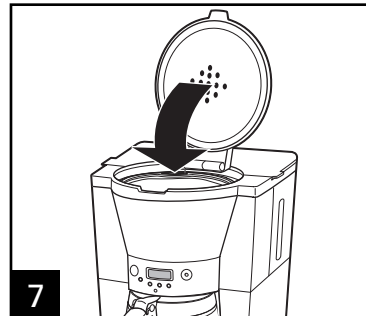
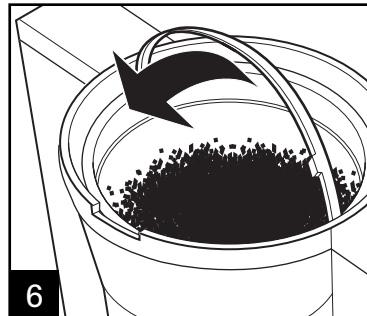
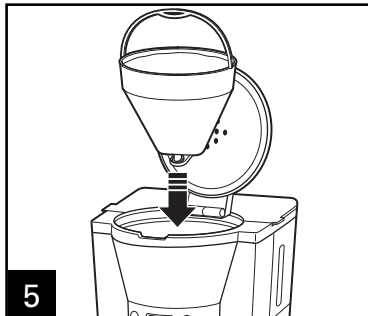
1 Fill water reservoir to a maximum of 5 cups and thermal carafe with ice to just below inside rim.



2 Align with open lock and twist to lock in place.



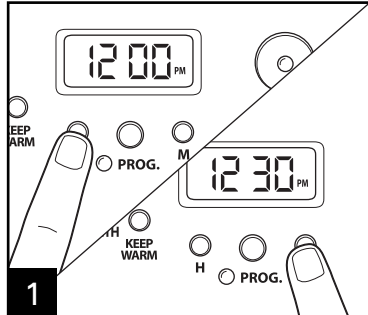
4 Brew double-strength coffee for iced coffee. For a full pot, use 10 scoops. For decaf and flavored coffees, use slightly less to prevent overflow.



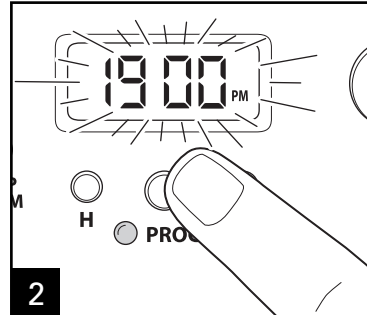
NOTE: The filter holder will only fit one way into the filter holder well. The plastic handle should fold towards you when the filter holder is placed properly in the filter holder well.

8 Press the ON/OFF (I/O) button to start the coffee maker.

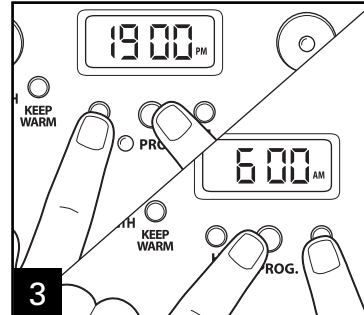
Programming Auto Brew



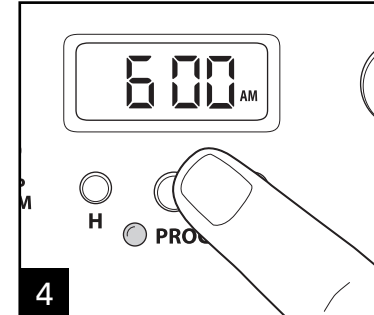
1 To set the time of day, first press the **H** (hour) button to set current hour; then press the **M** (minute) button until you reach the correct time.



2 To program the Auto Brew, press and hold the **PROG** (program) button until the display begins to flash.

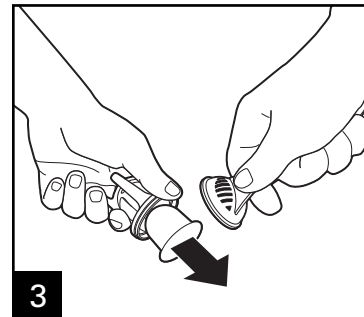
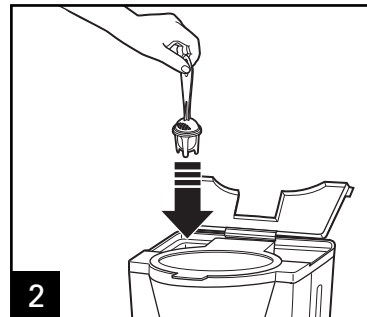
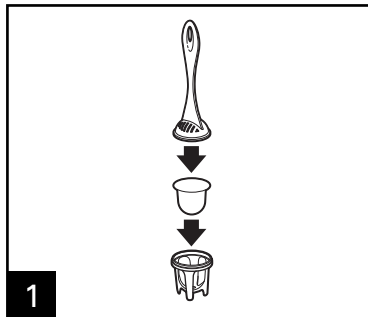


3 Then, while holding down the **PROG** button, press the **H** and **M** buttons until the desired Auto Brew time is reached.



4 Press and release the **PROG** button again to set the Auto Brew. Do not hold the button down. Auto Brew is now set.

Water Filter (optional accessory)

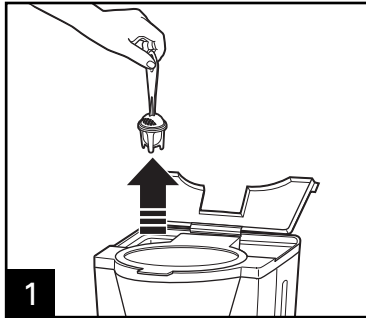


Water Filter (Optional Accessory)

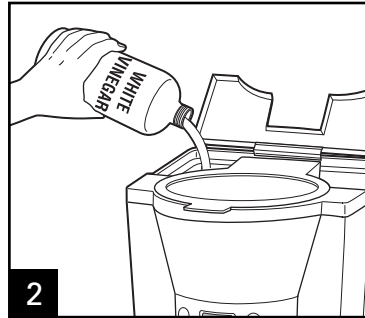
For better-tasting coffee, use a water filter. Filter replacement is recommended every 60 cycles.

Cleaning With Vinegar

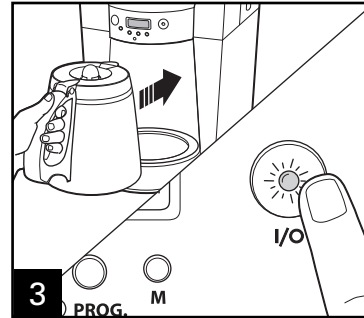
⚠ WARNING Electrical Shock Hazard. Disconnect power before cleaning the outside of the coffee maker. Do not immerse cord, plug, or base in any liquid.



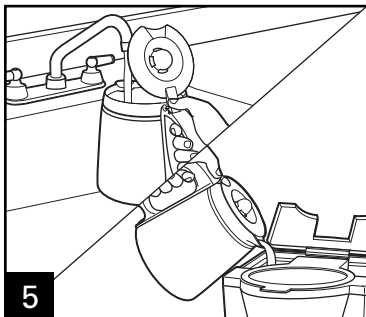
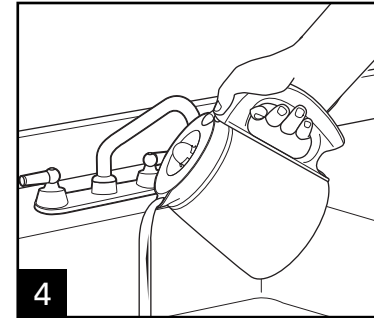
1 If your coffee maker has a water filter, remove prior to cleaning.



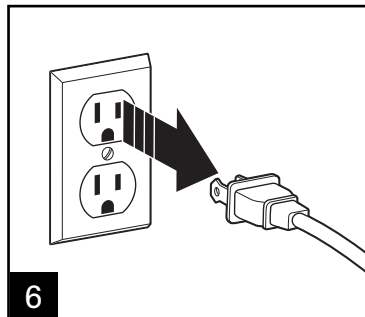
2 Pour 1 pint (2 cups/473 ml) vinegar into water reservoir.



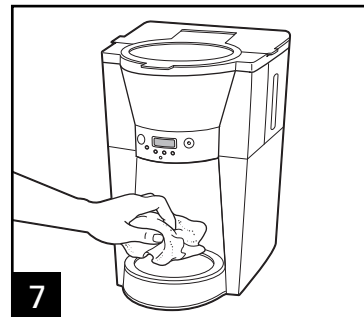
3 Press ON (I). Press OFF (O) after 20 seconds and wait 30 minutes. Press ON (I). Press OFF (O) when finished. When cool, empty the carafe.



5 Run 2–3 more brew cycles with CLEAN WATER only. Allow to cool between cycles.



6 Unplug.



DISHWASHER-SAFE
DO NOT use the "SANI" setting when washing in the dishwasher. "SANI" cycle temperatures could damage your product.

Troubleshooting

PROBLEM	PROBABLE CAUSE/SOLUTION
Brew basket overflows or coffee brews slowly.	<ul style="list-style-type: none">• Excessive amounts of ground coffee.• Decaffeinated and/or coffee ground too finely can cause overflow. Use slightly less grounds when brewing decaffeinated, flavored, or finely ground coffee. Or use medium ground coffee.• Coffeemaker needs cleaning. <p>If using a paper filter:</p> <ul style="list-style-type: none">• Coffee grounds between paper filter and brew basket.• Paper filter not open and in proper position.• Rinse brew basket before inserting paper filter so the edges will remain pressed against the sides of the basket.• Poor-quality paper filter.
Coffee tastes bad.	<ul style="list-style-type: none">• Coffeemaker needs cleaning.• Coffee ground too coarsely or too finely. Use medium ground coffee.• Coffee-to-water ratio unbalanced. Adjust for personal preference.• Poor coffee quality and freshness.• Poor water quality (use filtered or bottled water).
Coffee not brewing or unit will not turn on.	<ul style="list-style-type: none">• Water reservoir is empty.• Unit is unplugged.• Power outage.• Power surge. Unplug; then plug the unit back in.• Clock requires reset after power outage.

Limited Warranty

This warranty applies to products purchased and used in the U.S. and Canada. This is the only express warranty for this product and is in lieu of any other warranty or condition.

This product is warranted to be free from defects in material and workmanship for a period of five (5) years from the date of original purchase in Canada and one (1) year from the date of original purchase in the U.S. During this period, your exclusive remedy is repair or replacement of this product or any component found to be defective, at our option; however, you are responsible for all costs associated with returning the product to us and our returning a product or component under this warranty to you. If the product or component is no longer available, we will replace with a similar one of equal or greater value.

This warranty does not cover glass, filters, wear from normal use, use not in conformity with the printed directions, or damage to the product resulting from accident, alteration, abuse, or misuse. This warranty extends only to the original consumer purchaser or gift recipient. Keep the original sales receipt, as proof of purchase is required to make a warranty claim. This warranty is void if the product is used for other than single-family household use or subjected to any voltage and waveform other than as specified on the rating label (e.g., 120V ~ 60 Hz).

We exclude all claims for special, incidental, and consequential damages caused by breach of express or implied warranty. All liability is limited to the amount of the purchase price. **Every implied warranty, including any statutory warranty or condition of merchantability or fitness for a particular purpose, is disclaimed except to the extent prohibited by law, in which case such warranty or condition is limited to the duration of this written warranty.** This warranty gives you specific legal rights. You may have other legal rights that vary depending on where you live. Some states or provinces do not allow limitations on implied warranties or special, incidental, or consequential damages, so the foregoing limitations may not apply to you.

To make a warranty claim, do not return this appliance to the store. Please call 1.800.851.8900 in the U.S. or 1.800.267.2826 in Canada or visit hamiltonbeach.com in the U.S. or hamiltonbeach.ca in Canada. For faster service, locate the model, type, and series numbers on your appliance.

PRÉCAUTIONS IMPORTANTES

Au moment d'utiliser des appareils électriques, on doit toujours respecter les règles de sécurité élémentaires afin de minimiser les risques d'incendie, d'électrocution et des blessures, notamment celles qui suivent :

1. Lire toutes les instructions.
2. Cet appareil n'est pas destiné à être utilisé par des personnes (y compris les enfants) dont les capacités physiques, sensorielles ou mentales sont réduites, ou manquant d'expérience et de connaissance, sauf si elles sont étroitement surveillées et instruites sur l'utilisation de l'appareil par une personne responsable de leur sécurité.
3. Une surveillance étroite est requise pour tout appareil utilisé par ou près des enfants. Surveiller que les enfants ne jouent pas avec l'appareil.
4. Ne pas toucher aux surfaces chaudes. Utiliser les poignées ou les boutons. Prendre toutes les précautions nécessaires pour éviter les risques de brûlures occasionnés par les surfaces chaudes, les déversements de liquides chauds.
5. Pour éviter les risques d'électrocution, ne pas immerger le cordon, la fiche ou la cafetière dans l'eau ou tout autre liquide.
6. Débrancher de la prise murale lorsque la cafetière ou l'horloge n'est pas utilisée et avant le nettoyage. Laisser refroidir la cafetière avant d'installer ou de retirer des pièces et avant de la nettoyer.
7. Toujours placer la cafetière sur une surface plane et loin des bords de comptoir pour éviter le basculement accidentel lors de son fonctionnement.
8. Ne pas faire fonctionner un appareil électroménager avec un cordon ou une fiche endommagée, ou lorsque l'appareil ne fonctionne pas bien ou a été échappé ou endommagé d'une manière quelconque. Le remplacement et la réparation du cordon d'alimentation doivent être faits par le fabricant, son agent de service ou toute personne qualifiée de façon à éviter tout danger.
9. Appeler le numéro de service à la clientèle fourni pour des renseignements concernant l'examen, la réparation ou l'ajustement.
9. L'utilisation d'accessoires non recommandés par le fabricant d'électroménagers peut causer des blessures.
10. Ne pas utiliser à l'extérieur.
11. Ne pas laisser pendre le cordon de la table ou du comptoir et éviter tout contact avec les surfaces chaudes incluant la cuisinière.
12. S'assurer que le couvercle de la verseuse à café est bien fixé pendant le cycle d'infusion et au moment de verser le café. Ne pas utiliser la force pour fixer le couvercle de la verseuse à café.
13. Ne pas placer la cafetière sur ou près d'une cuisinière électrique ou à gaz ou dans un four chaud.
14. Pour débrancher la cafetière, tourner les boutons de réglage à **ARRÊT (O)** puis débrancher la fiche de la prise murale.
15. **AVERTISSEMENT !** Pour éviter les risques d'incendie et d'électrocution, ne pas enlever le couvercle inférieur de la cafetière. Aucune pièce réparable à l'intérieur. Les réparations doivent être faites par un technicien agréé seulement.
16. N'utiliser cet appareil que pour les fonctions auxquelles il est destiné.
17. La verseuse à café est conçue exclusivement pour cette cafetière. Elle ne doit jamais être utilisée sur une table de cuisson ou dans un four à micro-ondes.
18. Ne pas placer la verseuse à café chaude sur une surface mouillée ou froide.
19. Ne pas utiliser une verseuse à café fissurée ou avec une poignée lâche ou usée.
20. Ne pas nettoyer la verseuse à café avec de la poudre à nettoyer, des tampons métalliques ou autres matériaux abrasifs.

CONSERVEZ CES INSTRUCTIONS !

Autres renseignements de sécurité au consommateur

Cet appareil est destiné à un usage domestique uniquement.

⚠ AVERTISSEMENT Risque de choc électrique : Cet appareil est fourni avec une fiche polarisée (une broche large) pour réduire le risque d'électrocution. Cette fiche n'entre que dans un seul sens dans une prise polarisée. Ne contrecarrez pas l'objectif sécuritaire de cette fiche en la modifiant de quelque manière que ce soit ou en utilisant un adaptateur. Si vous ne pouvez pas insérer complètement la fiche dans la prise, inversez la fiche. Si elle refuse toujours de s'insérer, faire remplacer la prise par un électricien.

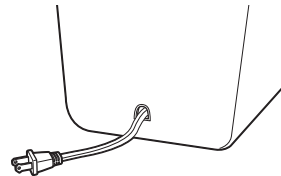
La longueur du cordon installé sur cet appareil a été sélectionnée afin de réduire les risques d'enchevêtrement ou de faux pas causés par un fil trop long. L'utilisation d'une rallonge approuvée est permise si le cordon est trop court. Les caractéristiques électriques de la rallonge doivent être équivalentes ou supérieures aux caractéristiques de l'appareil. Prendre toutes les précautions nécessaires pour installer la rallonge de manière à ne pas la faire courir sur le comptoir ou sur une table pour éviter qu'un enfant ne tire sur le cordon ou trébuche accidentellement.

Pour éviter la surcharge du circuit électrique, ne pas utiliser un autre appareil à haute puissance sur le même circuit que cet appareil.

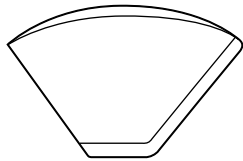
Pièces et caractéristiques

*Pour commander des pièces :
Canada : 1.800.267.2826

AVANT LA PREMIÈRE UTILISATION : Laver toutes les pièces amovibles dans de l'eau chaude savonneuse. Rincer et sécher. Faire un cycle d'infusion en ayant ajouté de l'eau de chaque côté puis jeter l'eau à la fin du cycle.



Rangement du cordon



Trousse de filtres coniques en papier no 4 de départ Melitta (en option sur certains modèles)



Horloge et Commandes

REMARQUE : Le bouton **KEEP WARM** (garde au chaud) est sur les modèles à verseuse en verre seulement.



Couvercle*

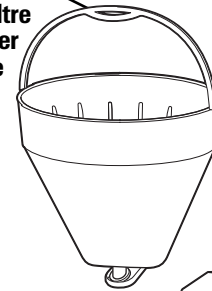
Modèle à verseuse thermique (capacité de 10 tasses [2,5 L]) (en option sur certains modèles)



Couvercle*

Modèle à verseuse en verre (capacité de 12 tasses [3 L]) (en option sur certains modèles)

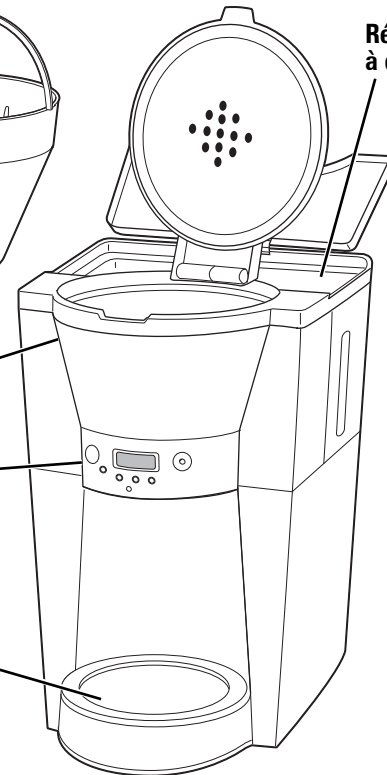
Porte-filtre* (pour filtre en papier conique no 4)



Puits du porte-filtre

Horloge et commandes

Plaque garde-au-chaud



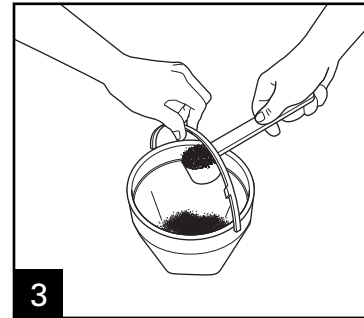
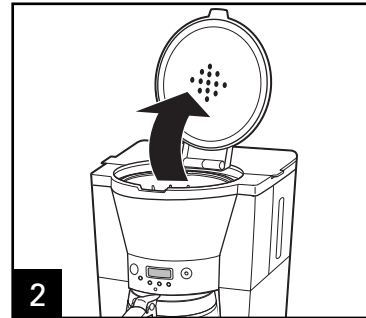
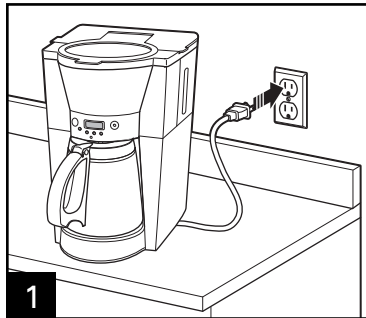
Réservoir à eau

Utilisation de la cafetière

⚠ AVERTISSEMENT Risque de brûlure.

Pour éviter le débordement de café chaud du porte-filtre :

- Lors de l'utilisation d'un café décaféiné, ne dépasser pas les quantités recommandées par le fabricant de café.
- Si le panier-filtre déborde, débrancher la cafetière et laisser refroidir le contenu du panier-filtre avant de retirer le panier-filtre.

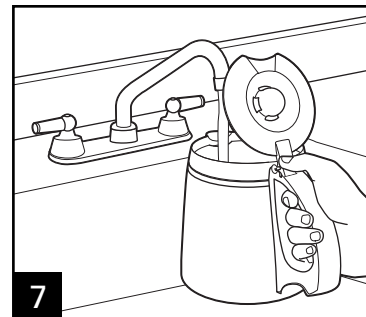
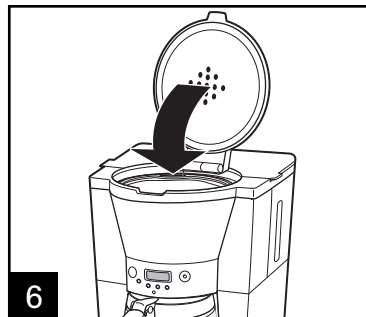
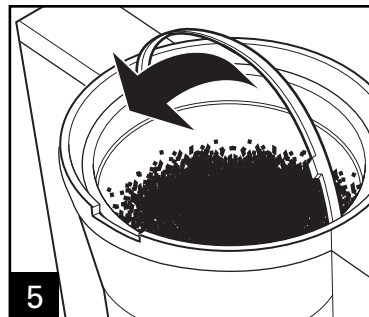
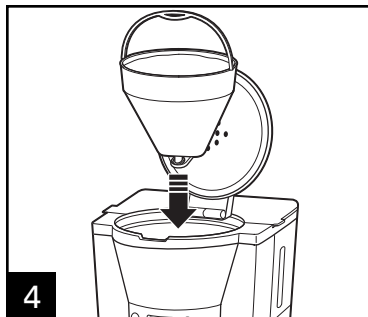


Utiliser des cornet-filtres en papier jetables No. 4. S'assurer que le filtre est complètement inséré dans le porte-filtre. Le filtre à café doit être plié et placé correctement le long des cannelures situées sur les côtés et au fond. Ceci empêchera le filtre de s'effondrer pendant le cycle d'infusion.

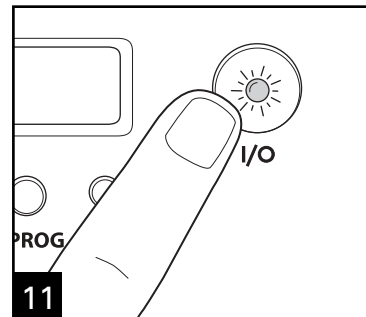
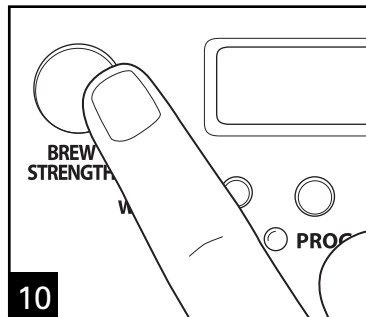
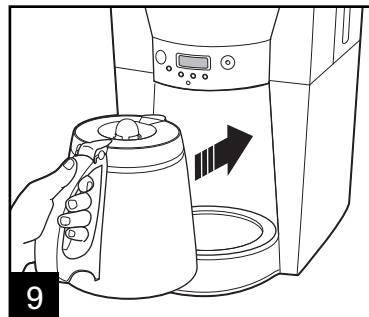
Pour chaque tasse de café à passer, utiliser une cuillère à soupe (15 ml) rase de café moulu. Utiliser légèrement moins de café moulu pour le décaf et les cafés aromatisés — ces mélanges peuvent provoquer débordement si une quantité trop importante est utilisée.

CONSEIL : Lors de l'utilisation de café fraîchement moulu, utiliser une mouture fine ou moyenne pour de meilleurs résultats.

Utilisation de la cafetière (suite)



REMARQUE : Le porte-filtre peut tenir uniquement d'une seule manière dans le puits du porte-filtre. La poignée en plastique doit plier vers vous quand le porte-filtre est placé correctement dans le puits du porte-filtre.



REMARQUE : Lors du remplissage du réservoir à eau, utiliser une verseuse autre que celle prévue pour ce produit peut causer des débordements. Utiliser uniquement la verseuse fournie avec l'appareil ou un remplacement exact.

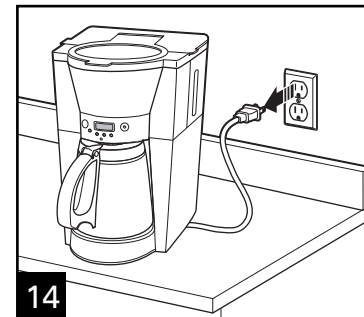
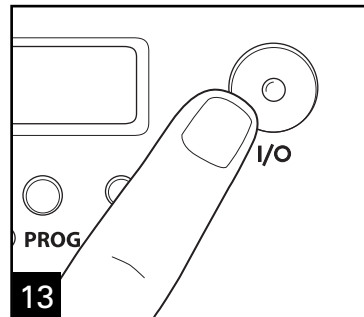
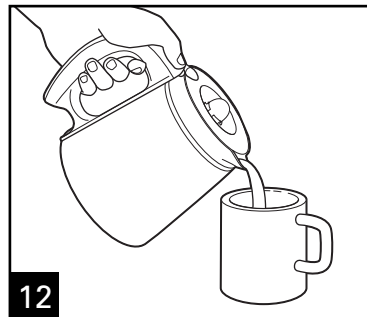
Lors de réglage de la force du café, le réglage « Regular » fait du café standard. Pour faire du café plus fort, appuyer sur le bouton **BREW STRENGTH** (régulateur de concentration) pour choisir le réglage désiré. L'utilisation régulière permettra de déterminer la meilleure proportion d'eau et de café moulu ainsi que les options d'infusion préférées. Appuyer sur le bouton de MARCHE/ARRÊT (I/O) pour arrêter l'appareil.

Utilisation de la cafetière (suite)

PAUSE ET SERVICE :

Pour servir le café pendant le cycle d'infusion, retirer la verseuse et verser le café dans une tasse. Le retrait de la verseuse permet l'interruption du débit de café provenant du fond du panier-filtre.

⚠ AVERTISSEMENT Risque de brûlure. Redéposer la verseuse en moins de 20 secondes pour éviter le débordement.



Appuyer sur le bouton de marche/ arrêt (I/O) de nouveau pour arrêter l'appareil.

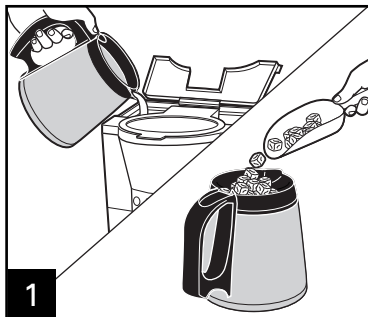
NOTE: La cafetière avec verseuse en verre s'arrête automatiquement après 2 heures. Si la cafetière n'est pas coupée, elle garde le café chaud pendant 2 heures, puis se coupe automatiquement. Les modèles à verseuse thermique s'arrête dès la fin du cycle d'infusion.

Conseils pour obtenir un excellent café

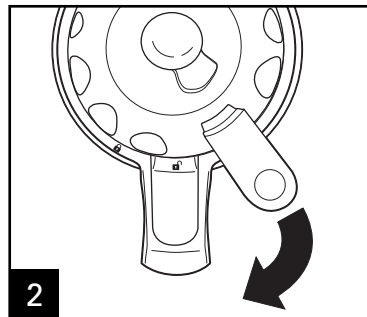
- Tous les cafés sont faits à partir de grains arabica ou robusta ou une combinaison des deux. Les grains Arabica sont légèrement plus coûteux, mais ont tendance à produire le meilleur café.
- Le café moulu s'évente beaucoup plus rapidement que les grains entiers. Si vous achetez du café moulu, choisissez un paquet avec la date d'expiration la plus tardive ou une plus petite quantité.
- Pour moudre des grains entiers, réglez votre moulin à café sur un réglage fine / moyen. Ceci donnera des moutures au meilleur arôme. Essayez d'utiliser du café fraîchement moulu dans la semaine qui suit.
- Utiliser un filtre à eau, de l'eau filtrée ou en bouteille donne un café de meilleur arôme que d'utiliser de l'eau du robinet.
- Utiliser environ 1 cuillère à soupe (15 ml) de café moulu pour chaque tasse de café à infuser. Pour le café décaféiné et les cafés aromatisés, utiliser un peu moins de café moulu (3/4 cuillère à soupe [11,1 ml]) pour éviter les débordements. D'autre part, utiliser du café moulu trop finement peut causer le débordement du panier-filtre.
- Assurez-vous que la cafetière est propre. Consulter le chapitre « Entretien et nettoyage ».

Comment faire du café glacé

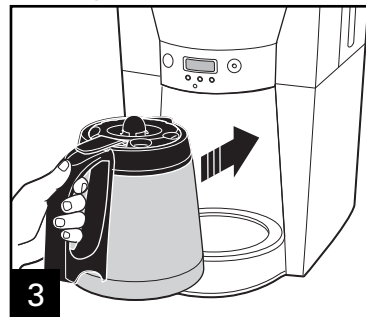
(sur les modèles avec une verseuse isolante uniquement)



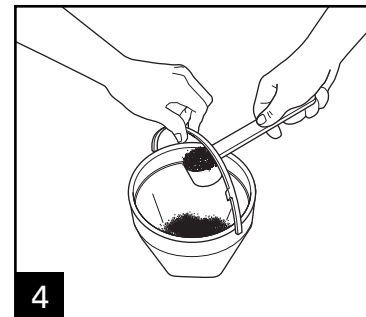
1



2



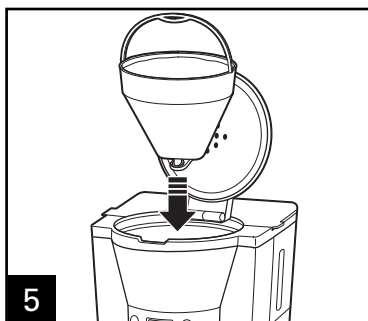
3



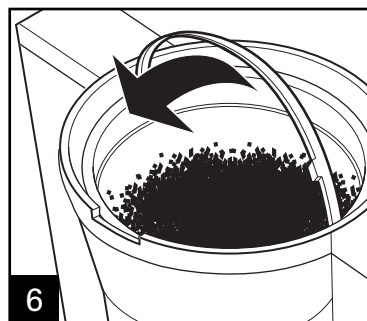
4

Remplir le réservoir d'eau de 5 tasses (1,3 L) au maximum et la carafe thermique de glace juste en-dessous de la bordure intérieure. Aligner avec le verrou ouvert et tourner pour verrouiller en place.

Infuser du café doublement fort pour du café glacé. Pour une carafe entière, utiliser 10 mesures de café moulu. Pour le décafé et les cafés aromatisés, utiliser légèrement moins pour éviter les débordements.



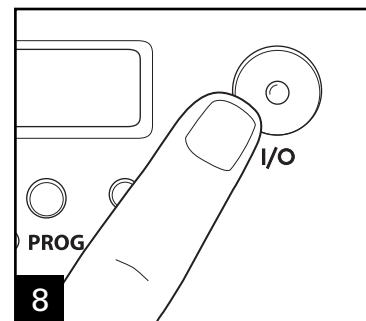
5



6



7

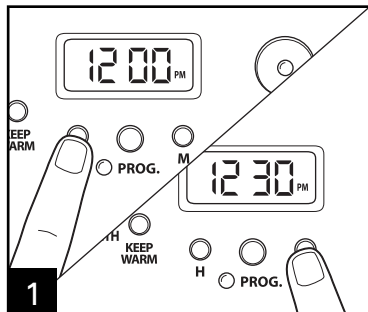


8

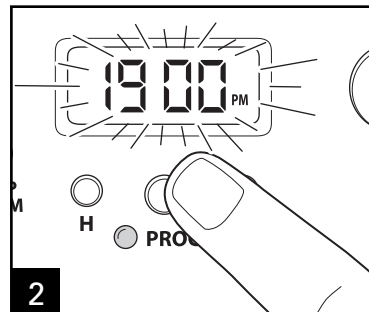
REMARQUE : Le porte-filtre peut tenir uniquement d'une seule manière dans le puits du porte-filtre. La poignée en plastique doit plier vers vous quand le porte-filtre est placé correctement dans le puits du porte-filtre.

Appuyer sur le bouton de MARCHÉ/ARRÊT (I/O) pour arrêter l'appareil.

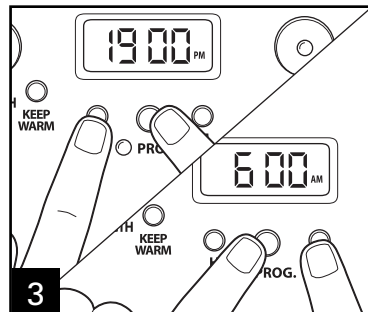
Programmation de l'infusion automatique



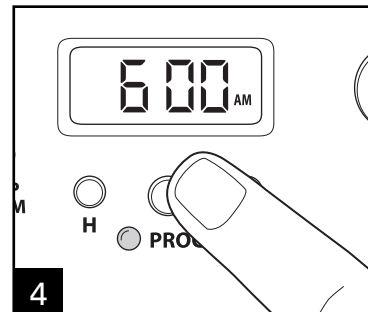
1 Pour régler l'heure du jour, appuyer tout d'abord sur le bouton **H** (heure) pour définir l'heure actuelle, puis appuyer sur le bouton **M** (minute) jusqu'à obtenir la bonne heure.



2 Pour programmer l'infusion automatique, appuyer et maintenir tout d'abord sur le bouton **PROG** (programme) jusqu'à ce que l'affichage commence à clignoter.

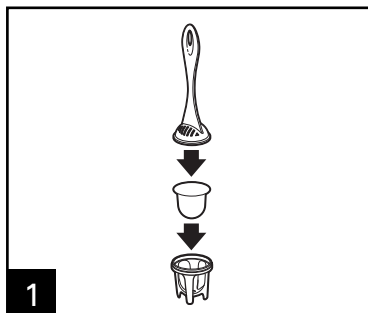


3 Puis, tout en maintenant le bouton **PROG** (programme) appuyé, appuyer sur les boutons **H** (heure) et **M** (minute) jusqu'à ce que la durée désirée d'infusion automatique soit atteinte.

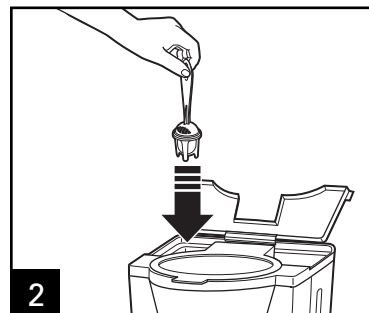


4 Appuyer et relâcher le bouton **PROG** (programme) de nouveau pour régler l'infusion automatique. Ne pas maintenir le bouton enfoncé. L'infusion automatique est maintenant réglée.

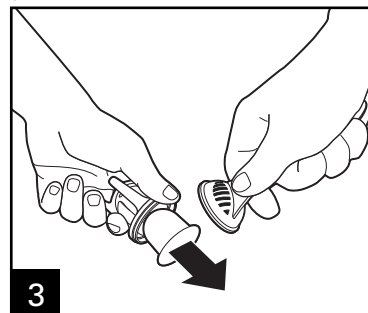
Filtre à eau (accessoire offert en option)



1



2



3

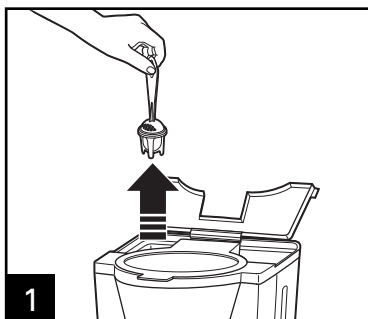
Filtre à eau (accessoire offert en option)

Pour obtenir une saveur maximale du café, utiliser un filtre à eau. Il est recommandé de remplacer le filtre tous les 60 cycles.

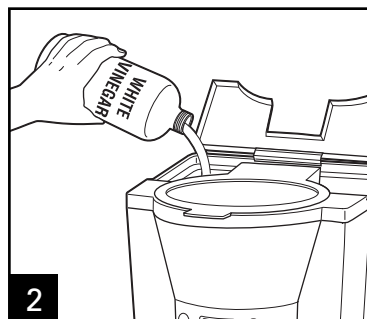
Nettoyage avec du vinaigre

⚠ AVERTISSEMENT Risque d'électrocution.

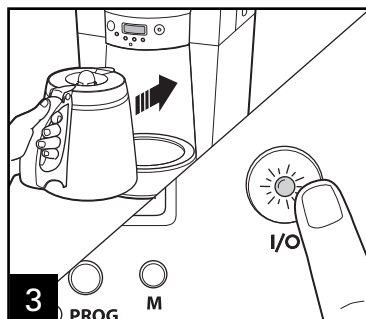
Débrancher de la prise avant de nettoyer les parois extérieures de la cafetière. N'immerger pas le cordon, la fiche ni la base dans quelque liquide que ce soit.



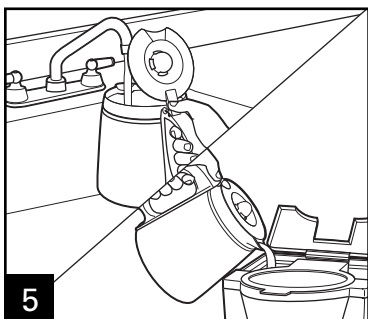
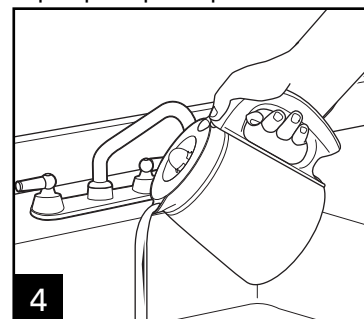
1 Si la cafetière est équipée d'un filtre à eau, l'enlever avant le nettoyage.



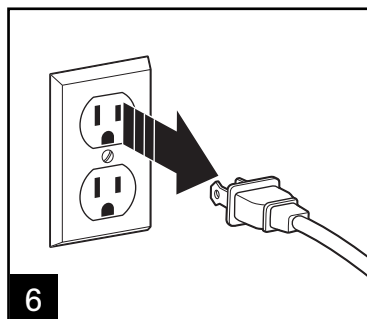
2 Verser 2 tasses (473 ml) de vinaigre dans le réservoir à eau.



3 Appuyer sur MISE EN MARCHÉ (I). Mettre hors tension (O) après 20 secondes et attendre 30 minutes. Appuyer sur MISE EN MARCHÉ (I). Mettre hors tension (O) dès la fin de l'utilisation. Vider la verseuse, une fois refroidie.



5 Effectuer 2 ou 3 cycles d'infusion de plus avec de L'EAU PROPRE seulement. Permettre le refroidissement entre chaque cycle. Débrancher l'appareil.



**LAVABLES AU
LAVE-VAISSELLE**

NE PAS utiliser le réglage "SANI" du lave-vaisselle. Les températures du cycle "SANI" peuvent endommager le produit.

Dépannage

PROBLÈME	CAUSE PROBABLE/SOLUTION
Le panier à filtre déborde ou le café infuse lentement.	<ul style="list-style-type: none">• Quantités excessives de café.• Le café décaféiné ou les grains de café moulu trop finement peut occasionner le débordement. Utiliser un peu moins de café moulu pour l'infusion de café décaféiné, aromatisé ou à mouture fine ou utiliser une mouture moyenne de café.• La cafetière a besoin d'être nettoyée. <p>Si vous utilisez un filtre conique en papier :</p> <ul style="list-style-type: none">• De la mouture de café a pénétré entre le filtre en papier et le panier-filtre.• Le filtre en papier n'est pas ouvert ou est mal positionné.• Rincer le panier-filtre avant d'y placer le filtre en papier pour que les bords de celui-ci adhèrent aux parois humides du panier.• Filtre en papier de mauvaise qualité.
Le café a un mauvais goût.	<ul style="list-style-type: none">• La cafetière a besoin d'être nettoyée.• La mouture du café est trop grossière ou trop fine. Utiliser une mouture moyenne de café.• Portions de café et d'eau incorrecte. Ajuster les choix personnels.• La qualité et la fraîcheur du café laissent à désirer.• L'eau est de piètre qualité. (Utiliser de l'eau filtrée ou en bouteille).
La cafetière n'infuse pas de café/l'appareil ne se met pas en marche.	<ul style="list-style-type: none">• Le réservoir d'eau est vide.• L'appareil est débranché.• Il y a eu une panne d'électricité.• Il y a eu une surtension électrique. Débrancher l'appareil et brancher-le à nouveau.• L'horloge doit être réglée de nouveau après la panne d'électricité.

Garantie limitée

Cette garantie s'applique aux produits achetés et utilisés aux É.-U. et au Canada. C'est la seule garantie expresse pour ce produit et est en lieu et place de tout autre garantie ou condition.

Ce produit est garanti contre tout défaut de matériaux et de main-d'oeuvre pour une période des cinq (5) ans à compter de la date d'achat d'origine au Canada et un (1) an à compter de la date d'achat d'origine aux É.-U. Au cours de cette période, votre seul recours est la réparation ou le remplacement de ce produit ou tout composant s'avérant défectueux, à notre gré, mais vous êtes responsable de tous les coûts liés à l'expédition du produit et le retour d'un produit ou d'un composant dans le cadre de cette garantie. Si le produit ou un composant n'est plus offert, nous le remplacerons par un produit similaire de valeur égale ou supérieure.

Cette garantie ne couvre pas le verre, les filtres, l'usure d'un usage normal, l'utilisation non conforme aux directives imprimées, ou des dommages au produit résultant d'un accident, modification, utilisation abusive ou incorrecte. Cette garantie s'applique seulement à l'acheteur original ou à la personne l'ayant reçu en cadeau. La présentation du reçu de vente d'origine comme preuve d'achat est nécessaire pour faire une réclamation au titre de cette garantie. Cette garantie s'annule si le produit est utilisé autrement que par une famille ou si l'appareil est soumis à toute tension ou forme d'onde différente des caractéristiques nominales précisées sur l'étiquette (par ex. : 120 V ~ 60 Hz).

Nous excluons toutes les réclamations au titre de cette garantie pour les dommages spéciaux, consécutifs et indirects causés par la violation de garantie expresse ou implicite. Toute responsabilité est limitée au prix d'achat. **Chaque garantie implicite, y compris toute garantie ou condition de qualité marchande ou d'adéquation à un usage particulier, est exonérée, sauf dans la mesure interdite par la loi, auquel cas la garantie ou condition est limitée à la durée de cette garantie écrite.** Cette garantie vous donne des droits légaux précis. Vous pouvez avoir d'autres droits qui varient selon l'endroit où vous habitez. Certaines provinces ne permettent pas les limitations sur les garanties implicites ou les dommages spéciaux ou indirects de telle sorte que les limitations ci-dessus ne s'appliquent peut-être pas à votre cas.

Ne pas retourner cet appareil au magasin lors d'une réclamation au titre de cette garantie. Téléphoner au 1.800.851.8900 aux É.-U. ou au 1.800.267.2826 au Canada ou visiter le site internet www.hamiltonbeach.com aux É.-U. ou www.hamiltonbeach.ca au Canada. Pour un service plus rapide, trouvez le numéro de modèle, le type d'appareil et les numéros de série sur votre appareil.

SALVAGUARDIAS IMPORTANTES

Cuando utilice artefactos eléctricos, siempre deben seguirse precauciones de seguridad básicas a fin de reducir el riesgo de incendio, descarga eléctrica, y/o lesiones a personas, incluyendo las siguientes:

1. Lea todas las instrucciones.
2. Este aparato no se destina para utilizarse por personas (incluyendo niños) cuyas capacidades físicas, sensoriales o mentales sean diferentes o estén reducidas, o carezcan de experiencia o conocimiento, a menos que dichas personas reciban una supervisión o capacitación para el funcionamiento del aparato por una persona responsable de su seguridad.
3. Se requiere de una estrecha supervisión cuando el aparato se use cerca de niños. Los niños deben supervisarse para asegurar que ellos no empleen los aparatos como juguete.
4. Verifique que el voltaje de su instalación corresponda con el del producto.
5. No toque superficies calientes. Use las manijas o perillas. Se debe de tener cuidado, ya que pueden ocurrir quemaduras al tocar partes calientes o líquido caliente derramado.
6. Para protegerse de una descarga eléctrica, no coloque el cable, enchufe o cafetera en agua u otros líquidos.
7. Desenchufe la cafetera cuando la cafetera o el reloj no esté en uso y antes de la limpieza. Deje enfriar antes de poner o quitar partes y antes de limpiar el aparato.
8. La cafetera debe funcionar sobre una superficie plana lejos de borde de una cubierta para prevenir que se ladee.
9. No opere ningún aparato con cables o enchufe dañados o después de que el aparato funcione mal o se caiga o dañe de cualquier manera. El reemplazo del cable de suministro y las reparaciones deben ser efectuadas por el fabricante, su agente de servicio, o personas igualmente calificadas para poder evitar un peligro. Llame al número de servicio al cliente proporcionado para información sobre examinación, reparación o ajuste.
10. El uso de aditamentos de accesorio no recomendados por el fabricante del aparato puede causar daños.
11. No use en exteriores.
12. No deje que el cable cuelgue del borde de la mesa o cubierta o toque superficies calientes, incluyendo el horno.
13. Asegúrese que la tapa de la garrafa esté de manera segura en su lugar antes del ciclo de preparación y cuando vacíe café. No use fuerza cuando coloque la tapa en la garrafa.
14. No coloque la cafetera sobre o cerca de un quemador de gas o eléctrico caliente o en un horno caliente.
15. Para desconectar la cafetera, ponga los controles en APAGADO (O), luego remueva el enchufe de la toma de pared.
16. ¡ADVERTENCIA! Para reducir el riesgo de fuego o descarga eléctrica, no remueva la cubierta inferior. No hay partes servibles en el interior. La reparación debe hacerse por personal de servicio autorizado únicamente.
17. No use el aparato para otro uso más que para el que fue diseñado.
18. La garrafa está diseñada para uso con esta cafetera. No debe usarse sobre una estufa o en un horno de microondas.
19. No ponga una garrafa caliente sobre una superficie mojada o fría.
20. No use una garrafa quebrada o una con manijas flojas o debilitadas.
21. No limpie la garrafa con limpiadores, estropajos de acero u otros materiales abrasivos.

¡GUARDE ESTAS INSTRUCCIONES!

Otra Información de Seguridad para el Cliente

Este aparato ha sido diseñado solamente para uso doméstico.

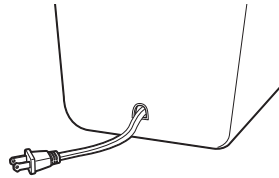
⚠ ADVERTENCIA Peligro de Descarga Eléctrica: Este aparato es provisto con un enchufe polarizado (una pata más ancha) para reducir el riesgo de una descarga eléctrica. El enchufe embona únicamente en una dirección dentro de un tomacorriente polarizado. No trate de obviar el propósito de seguridad del enchufe modificándolo de alguna manera o utilizando un adaptador. Si el enchufe no entra completamente en la toma, invierta el enchufe. Si aún no entra, haga que un electricista reemplace la toma.

El largo del cable que se usa en este aparato fue seleccionado para reducir el peligro de que alguien se enganche o tropiece con un cable más largo. Si es necesario usar un cable más largo, se podrá usar un cable de extensión aprobado. La clasificación eléctrica nominal del cable de extensión debe ser igual o mayor que la clasificación nominal del aparato. Es importante tener cuidado de colocar el cable de extensión para que no se pliegue sobre el mostrador o la mesera en donde niños puedan tirar del mismo o tropezarse accidentalmente.

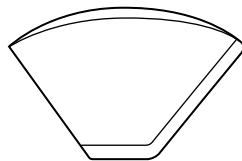
Para evitar una sobrecarga eléctrica del circuito, no use otro aparato de alto voltaje en el mismo circuito con este aparato.

Piezas y Características

*Para ordenar partes:
 US: 1.800.851.8900
 www.hamiltonbeach.com
 México: 01 800 71 16 100



Almacén de Cable



Pajquete de Inicio
 Filtros de Papel
 Melitta #4
 (disponible con
 ciertos modelos)



Reloj y Controles

NOTA: Solamente los modelos con garrafa de vidrio poseen botón KEEP WARM (mantener caliente).

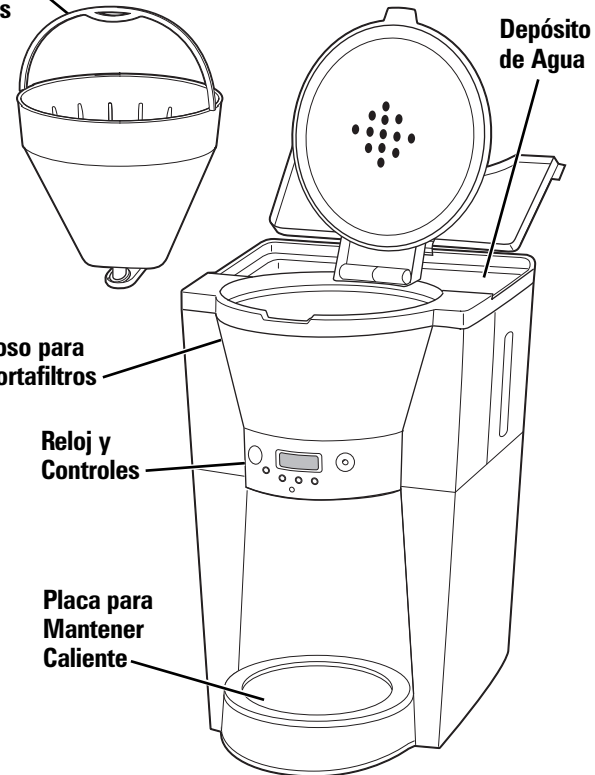


Modelo con Garrafa
 Térmica*
 (capacidad para
 10 tazas [2.5 L])
 (disponible con
 ciertos modelos)



Modelo con Garrafa
 de Vidrio*
 (capacidad para
 12 tazas [3 L])
 (disponible con
 ciertos modelos)

Portafiltros*
 (para filtros
 de papel
 #4)



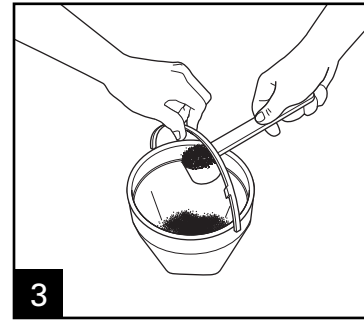
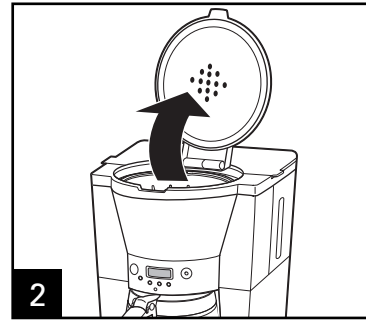
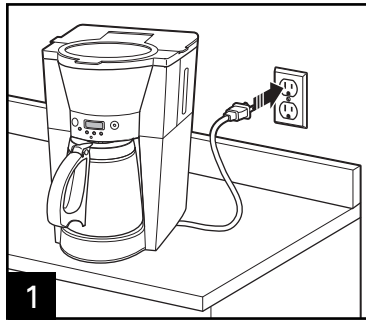
ANTES DEL PRIMER USO: Lave todas las piezas desmontables en agua caliente jabonosa. Enjuague y seque. Prepare un ciclo con agua en cada lado y descarte el agua.

Cómo Usar la Cafetera

⚠ ADVERTENCIA Peligro de Quemarse.

Para evitar el desborde de café caliente del portafiltros:

- Cuando use café descafeinado, no exceda la cantidad de porción recomendada por el fabricante de café.
- Si ocurre un desborde del portafiltros, desenchufe la cafetera y deje que el café del portafiltros se enfríe antes de quitar el portafiltros.

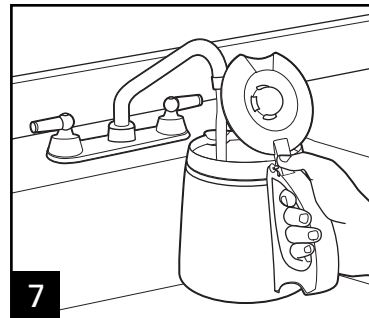
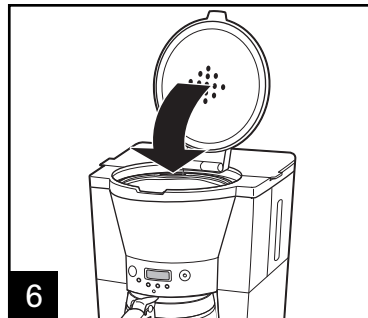
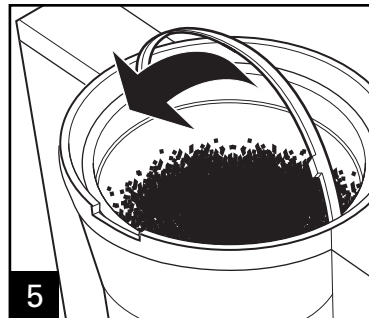
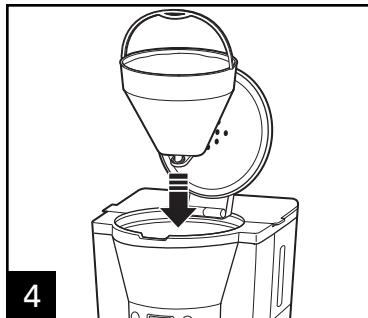


Utilice filtros de papel desechables No 4. Verifique que el filtro se encuentre bien introducido dentro del portafiltros. El filtro para café debe doblarse a lo largo del reborde en los lados y en la parte inferior para lograr una mejor colocación. Esto evitará que el filtro se caiga durante la preparación.

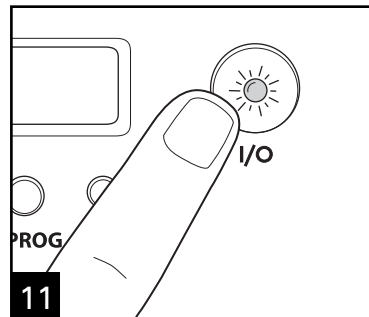
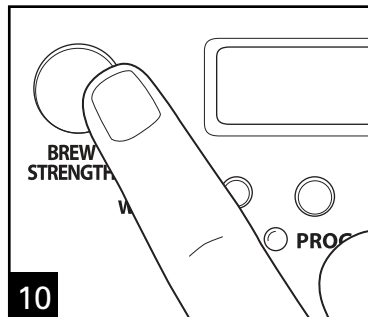
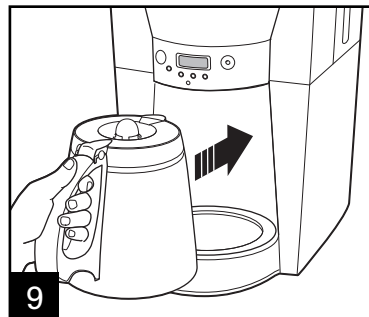
Por cada taza de café que se prepara, utilice una cucharada rasa de café molido. Utilice un poco menos de café molido para cafés descafeinados o saborizados, ya que estas mezclas pueden provocar desbordes si se utiliza demasiado.

CONSEJO: Si utiliza café recién molido, un molido fino a medio brindará mejores resultados.

Cómo Usar la Cafetera (cont.)



NOTA: El portafiltros sólo se podrá usar una vez en el foso del portafiltros. La manija de plástico se deberá doblar en dirección a usted al colocar el portafiltros de forma adecuada en el foso del portafiltros.



NOTA: Al llenar el depósito de agua, el uso de una garrafa que no sea la incluida con este producto podrá provocar desbordamiento. Use sólo la garrafa provista con su unidad o su reemplazo exacto. Cuando las configuraciones la intensidad de preparación deseada, la configuración "Regular" (común) preparará café de una intensidad común.

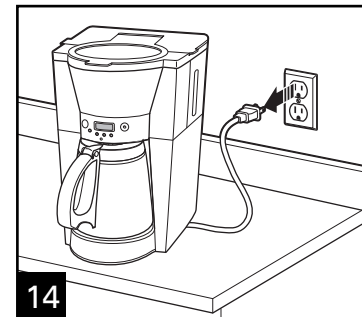
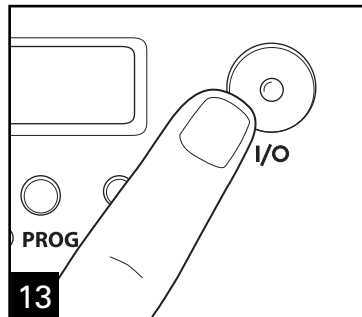
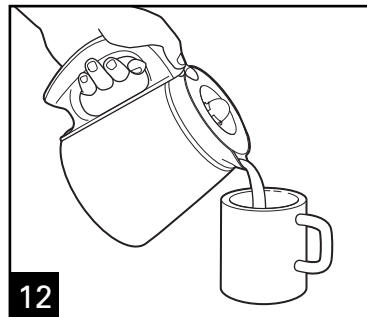
Para preparar un café más fuerte, presione el botón **BREW STRENGTH** (intensidad de preparación) para seleccionar la configuración deseada. Con el paso del tiempo, usted podrá determinar la mejor relación de agua y café, y las opciones de preparación que prefiere. Presione el botón ENCENDIDO/APAGADO (I/O) para accionar la cafetera.

Cómo Usar la Cafetera (cont.)

PAUSA AL SERVIR:

Para servir café durante el ciclo de preparación, quite la jarra y sirva una taza. Al quitar la jarra, el flujo de café desde la parte inferior del portafiltros se detendrá.

⚠ ADVERTENCIA Peligro de Quemaduras. La jarra debe volver a colocarse dentro de los 20 segundos después de quitarse para evitar desbordes.



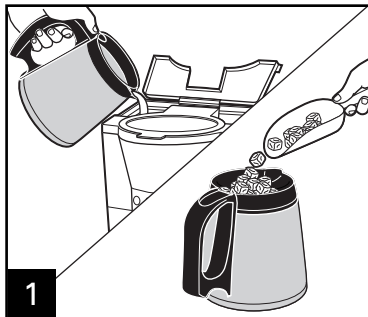
Presione el botón ENCENDIDO/APAGADO (I/O) de nuevo para apagar la unidad.

NOTA: Su cafetera de garrafa de vidrio se encuentra equipada con un sistema de apagado automático de 2 horas. Si no se la apaga, la unidad mantendrá el café caliente durante 2 horas y luego se apagará en forma automática. Los modelos de garrafa térmica se apagan inmediatamente después de terminada la preparación.

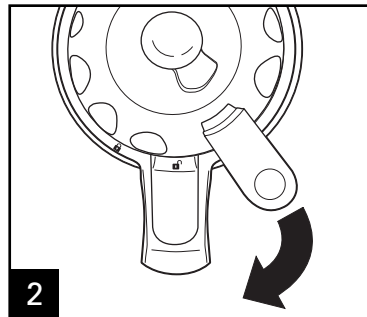
Consejos para Lograr un Café Más Rico

- Todos los cafés están hechos de granos de arábica o robusta, o de una combinación de ambos. Los granos de arábica son un poco más caros pero tienden a producir un café de mejor sabor.
- El café molido se pone rancio más rápido que los granos enteros. Si compra café premolido, elija un paquete con la fecha de vencimiento más alejada o de menor cantidad.
- Si va a moler granos enteros, configure su molino de café en un molido fino/mediano. Esto genera el café molido de mejor sabor. Trate de utilizar el café recién molido dentro de la semana de molido.
- Usar un filtro de agua, agua filtrada o agua mineral genera un café más rico que usar agua de grifo.
- Utilice aproximadamente 1 cucharada (15 ml) de café molido por cada taza de café a preparar. Para evitar desbordes, utilice un poco menos de café (3/4 cucharada [11.1 ml]) cuando prepare cafés descafeinados o saborizados. Además, tenga en cuenta que usar café molido muy fino también puede provocar desbordes en la canasta del filtro.
- Asegúrese de que su cafetera esté limpia. Ver la sección "Cuidado y Limpieza".

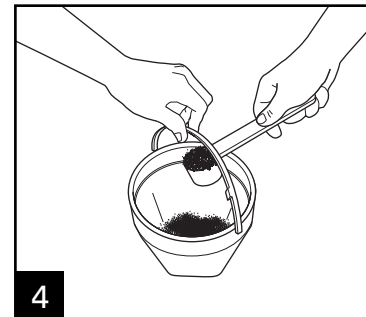
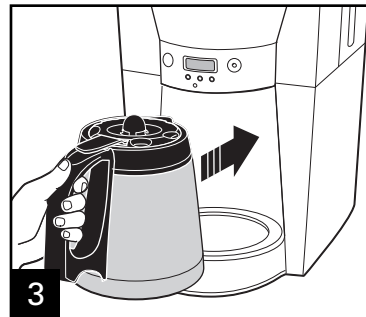
Cómo Preparar Café Helado (Sólo para modelos con Garrafa Térmica)



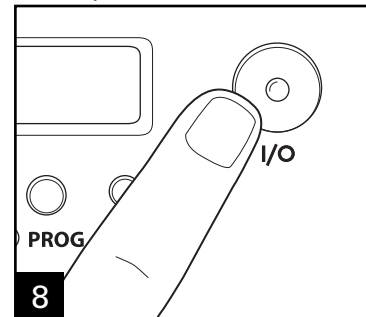
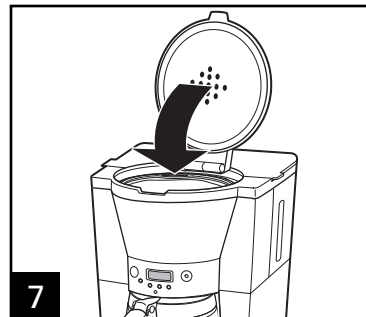
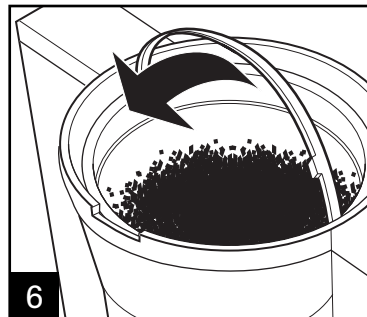
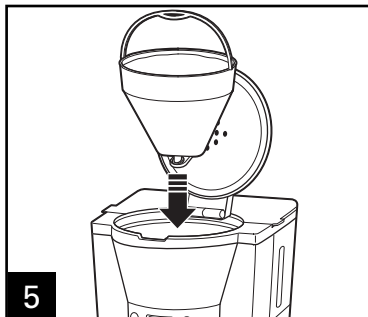
Llene el depósito de agua hasta un máximo de 5 tazas (1.3 L) y el recipiente térmico con hielo hasta debajo del borde interno.



Alinee con la traba abierta para girar y trabar en su lugar.



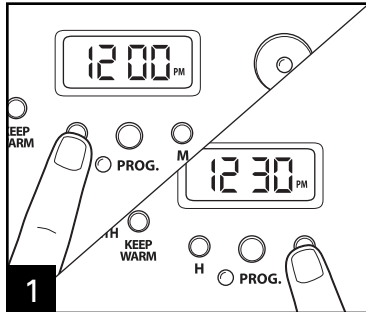
Prepare café de doble intensidad para el café helado. Para una jarra llena, use 10 cucharadas de café molido. Para cafés descafeinados y saborizados, utilice un poco menos para evitar desbordes.



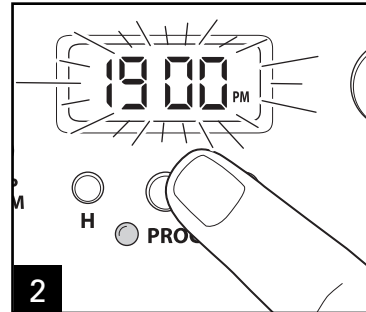
NOTA: El portafiltros sólo se podrá usar una vez en el foso del portafiltros. La manija de plástico se deberá doblar en dirección a usted al colocar el portafiltros de forma adecuada en el foso del portafiltros.

Presione el botón ENCENDIDO/APAGADO (I/O) para accionar la cafetera.

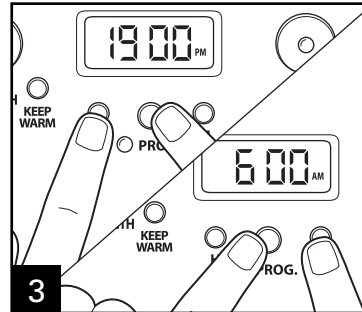
Programación Auto Preparación



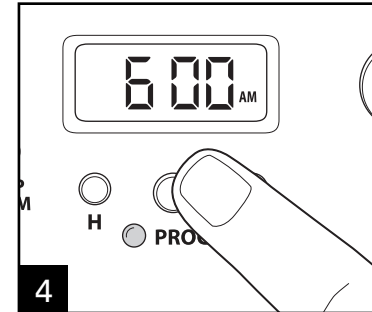
1 Para establecer la hora, primero presione el botón **H** (hora) para configurar la hora actual; luego presione el botón **M** (minuto) hasta alcanzar la hora correcta.



2 Para programar la Auto Preparación, presione y mantenga el botón **PROG** (programar) hasta que la pantalla comience a destellar.

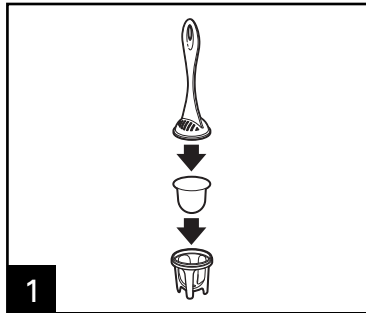


3 Luego, mientras mantiene presionado el botón **PROG** (programar), presione los botones **H** (hora) y **M** (minuto) hasta alcanzar el tiempo deseado de Auto Preparación.

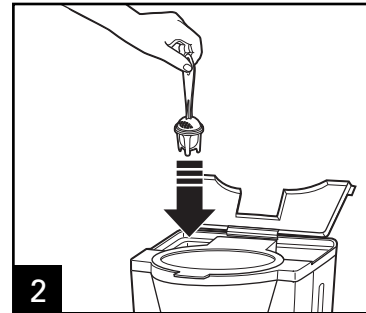


4 Presione y libere el botón **PROG** (programar) de nuevo para configurar la Auto Preparación. No mantenga presionado el botón. La Auto Preparación ya se encuentra configurada.

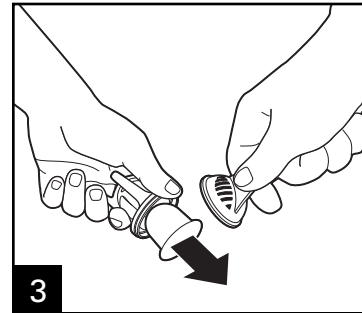
Filtro de Agua (accesorio opcional)



1



2



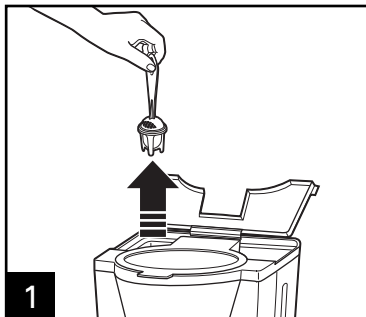
3

Filtro de Agua (Accesorio Opcional)

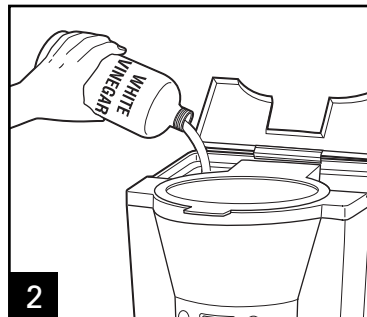
Para un café con mejor sabor, use un filtro de agua. Se recomienda un reemplazo de filtro cada 60 ciclos.

Limpiando con Vinagre

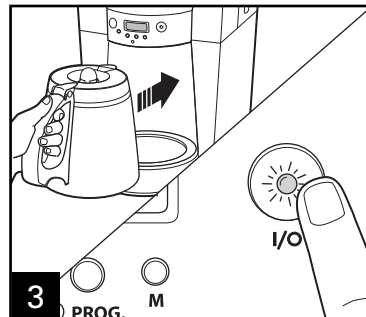
⚠ ADVERTENCIA Peligro de Descarga Eléctrica. Desconecte la energía antes de limpiar la parte exterior de la cafetera. No sumerja el cable, el enchufe o la base en ningún líquido.



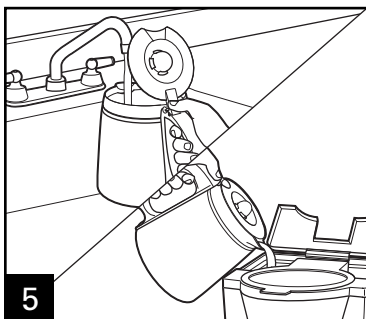
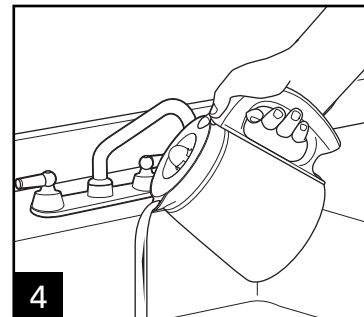
1 Si su cafetera cuenta con un filtro de agua, quítelo antes de la limpieza.



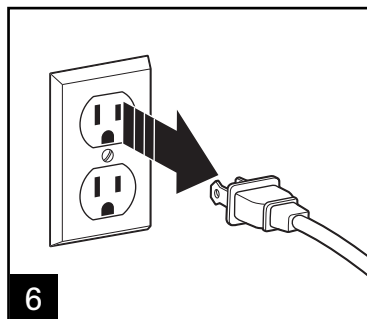
2 Vacíe medio litro (2 tazas/473 ml) de vinagre en el depósito de agua.



3 Presione ENCENDIDO (I). APAGADO (O) después de 20 segundos y espere 30 minutos. Presione ENCENDIDO (I). Presione APAGADO (O) cuando termine. Una vez fría, vacíe la garrafa.



5 Haga 2-3 ciclos de preparación más con AGUA LIMPIA solamente. Deje enfriar entre ciclos.



6 Desenchufe.



RESISTENTE AL LAVAVAJILLAS

No utilice la configuración "SANI" cuando la lave en el lavavajillas. Las temperaturas del ciclo "SANI" pueden dañar su producto.

Resolviendo Problemas

PROBLEMA	CAUSA PROBABLE/SOLUCIÓN
El portafiltros se desborda o la preparación del café es muy lenta.	<ul style="list-style-type: none">• Cantidad de café molido en exceso.• El café descafeinado y/o el café molido muy fino pueden provocar desbordes en la canasta de preparación. Utilice un poco menos de café cuando prepare café descafeinado, saborizado o molido fino. O utilice café molido mediano.• La cafetera necesita limpiarse. <p>Si utiliza un filtro de papel:</p> <ul style="list-style-type: none">• Hay granos de café entre el filtro de papel y la canasta de preparación.• El filtro de papel no está abierto ni en la posición apropiada.• Enjuague la canasta de preparación antes de insertar el filtro de papel para que los bordes permanezcan presionados contra los lados de la canasta.• El filtro de papel es de baja calidad.
El café sabe mal.	<ul style="list-style-type: none">• La cafetera necesita limpiarse.• El café molido es muy grueso o muy fino. Utilice café molido mediano.• La cantidad de café-agua no es la correcta. Ajuste según la preferencia personal.• El café es de baja calidad y fresca.• El agua es de baja calidad (use agua filtrada o embotellada).
No está en marcha la preparación del café/ la unidad no enciende.	<ul style="list-style-type: none">• El recipiente del agua está vacío.• La unidad está desenchufada.• Corte de corriente.• Subida de voltaje. Desenchufe, luego enchufe la unidad de nuevo.• El reloj necesita ser reajustado después de un corte de corriente.

Notas



Grupo HB PS, S.A. de C.V.
Monte Elbruz 124-301
Colonia Palmitas, Delegación Miguel Hidalgo
C.P. 11560, México, Distrito Federal
01 800 71 16 100

PÓLIZA DE GARANTÍA

PRODUCTO:	MARCA:		MODELO:
Grupo HB PS, S.A. de C.V. cuenta con una Red de Centros de Servicio Autorizada, por favor consulte en la lista anexa el nombre y dirección de los establecimientos en la República Mexicana en donde usted podrá hacer efectiva la garantía, obtener partes, componentes, consumibles y accesorios; así como también obtener servicio para productos fuera de garantía. Para mayor información llame sin costo: Centro de Atención al consumidor: 01 800 71 16 100			
Grupo HB PS, S.A. de C.V. le otorga a partir de la fecha de compra: GARANTÍA DE 1 AÑO.			
COBERTURA			
<ul style="list-style-type: none">• Esta garantía ampara, todas las piezas y componentes del producto que resulten con defecto de fabricación incluyendo la mano de obra.• Grupo HB PS, S.A. de C.V. se obliga a reemplazar, reparar o reponer, cualquier pieza o componente defectuoso; proporcionar la mano de obra necesaria para su diagnóstico y reparación, todo lo anterior sin costo adicional para el consumidor.• Esta garantía incluye los gastos de transportación del producto que deriven de su cumplimiento dentro de su red de servicio.			
LIMITACIONES			
<ul style="list-style-type: none">• Esta garantía no ampara el reemplazo de piezas deterioradas por uso o por desgaste normal, como son: cuchillas, vasos, jarras, filtros, etc.• Grupo HB PS, S.A. de C.V. no se hace responsable por los accidentes producidos a consecuencia de una instalación eléctrica defectuosa, ausencia de toma de tierra, clavija de enchufe en mal estado, etc.			
EXCEPCIONES			
Esta garantía no será efectiva en los siguientes casos: <ul style="list-style-type: none">a) Cuando el producto se hubiese utilizado en condiciones distintas a las normales. (Uso industrial, semi-industrial o comercial.)b) Cuando el producto no hubiese sido operado de acuerdo con el instructivo de uso.c) Cuando el producto hubiese sido alterado o reparado por personas no autorizadas por Grupo HB PS, S.A. de C.V. el fabricante nacional, importador o comercializador responsable respectivo. El consumidor puede solicitar que se haga efectiva la garantía ante la propia casa comercial donde adquirió su producto, siempre y cuando Grupo HB PS, S.A. de C.V. no cuente con talleres de servicio.			

PROCEDIMIENTO PARA HACER EFECTIVA LA GARANTÍA

- Para hacer efectiva la garantía no deben exigirse mayores requisitos que la presentación del producto y la póliza correspondiente, debidamente sellada por el establecimiento que lo vendió.
- Para hacer efectiva la garantía, lleve su aparato al Centro de Servicio Autorizado más cercano a su domicilio (consulte la lista anexa).
- Si no existe Centro de Servicio Autorizado en su localidad llame a nuestro Centro de Atención al Consumidor para recibir instrucciones de como hacer efectiva su garantía.
- El tiempo de reparación, en ningún caso será mayor de 30 días naturales contados a partir de la fecha de recepción del producto en nuestros Centros de Servicio Autorizados.
- En caso de que el producto haya sido reparado o sometido a mantenimiento y el mismo presente deficiencias imputables al autor de la reparación o del mantenimiento dentro de los treinta días naturales posteriores a la entrega del producto al consumidor, éste tendrá derecho a que sea reparado o mantenido de nuevo sin costo alguno. Si el plazo de la garantía es superior a los treinta días naturales, se estará a dicho plazo.
- El tiempo que duren las reparaciones efectuadas al amparo de la garantía no es computable dentro del plazo de la misma. Cuando el bien haya sido reparado se iniciará la garantía respecto de las piezas repuestas y continuará con relación al resto. En el caso de reposición del bien deberá renovarse el plazo de la garantía.

FECHA DE ENTREGA	SELLO DEL VENDEDOR	QUEJAS Y SUGERENCIAS
DÍA ___ MES ___ AÑO ___		Si desea hacer comentarios o sugerencias con respecto a nuestro servicio o tiene alguna queja derivada de la atención recibida en alguno de nuestros Centros de Servicio Autorizados, por favor dirigirse a: GERENCIA INTERNACIONAL DE SERVICIO 01 800 71 16 100 Email: mexico.service@hamiltonbeach.com.mx

RED DE CENTROS DE SERVICIO AUTORIZADA GRUPO HB PS, S.A. DE C.V.

Distrito Federal

ELECTRODOMÉSTICOS
 Av. Plutarco Elías Calles No. 1499
 Zacahuiztco MEXICO 09490 D.F.
 Tel: 01 55 5235 2323 • Fax: 01 55 5243 1397

CASA GARCIA
 Av. Patriotismo No. 875-B
 Mixcoac MEXICO 03910 D.F.
 Tel: 01 55 5563 8723 • Fax: 01 55 5615 1856

Nuevo Leon

FERNANDO SEPULVEDA REFACCIONES
 Ruperto Martínez No. 238 Ote.
 Centro MONTERREY, 64000 N.L.
 Tel: 01 81 8343 6700 • Fax: 01 81 8344 0486

Jalisco

SERVICIOS DE MANTENIMIENTO CASTILLO
 Garibaldi No. 1450
 Ladrón de Guevara
 GUADALAJARA 44660 Jal.
 Tel: 01 33 3825 3480 • Fax: 01 33 3826 1914

Chihuahua

DISTRIBUIDORA TURMIX
 Av. Paseo Triunfo de la Rep. No. 5289 Local 2 A.
 Int. Hipermart
 Alamos de San Lorenzo
 CD. JUAREZ 32340 Chih.
 Tel: 01 656 617 8030 • Fax: 01 656 617 8030

<p align="center">Modelos: 46895, 46896, 46896A, 46897Z</p>	<p align="center">Tipo: A75</p>	<p align="center">Características Eléctricas: 120 V~ 60 Hz 1025 W</p>
<p align="center">Los modelos incluidos en el instructivo de Uso y Cuidado pueden ir seguidos o no por un sufijo correspondiente a una o varias letras del alfabeto y sus combinaciones, separadas o no por un espacio, coma, diagonal, o guión. Como ejemplos los sufijos pueden ser: "Y" y/o "MX" y/o "MXY" y/o "Z".</p>		