

**READ BEFORE USE
LIRE AVANT UTILISATION
LEA ANTES DE USAR**

Visit www.hamiltonbeach.com for our complete line of products and Use and Care Guides – as well as delicious recipes, tips, and to register your product online!

Rendez-vous sur www.hamiltonbeach.ca pour notre liste complète de produits et de nos manuels utilisateur – ainsi que nos délicieuses recettes et nos conseils !

iViste www.hamiltonbeach.com (EE. UU.) o www.hamiltonbeach.com.mx (México) para ver otros productos de Hamilton Beach o para contactarnos!

Questions?

Please call us – our friendly associates are ready to help.
USA: 1.800.851.8900

Questions ?

N'hésitez pas à nous appeler – nos associés s'empresseront de vous aider.
CAN : 1.800.267.2826

¿Preguntas?

Por favor llámenos – nuestros amables representantes están listos para ayudar.
EE. UU.: 1.800.851.8900
MEX: 01 800 71 16 100

Le invitamos a leer cuidadosamente este instructivo antes de usar su aparato.

Hamilton Beach®



Coffee Maker Cafetière Cafetera

English	2
Français.....	12
Español	23

IMPORTANT SAFEGUARDS

When using electrical appliances, basic safety precautions should always be followed to reduce the risk of fire, electric shock, and/or injury to persons, including the following:

1. Read all instructions.
2. This appliance is not intended for use by persons (including children) with reduced physical, sensory, or mental capabilities, or lack of experience and knowledge, unless they are closely supervised and instructed concerning use of the appliance by a person responsible for their safety.
3. Close supervision is necessary when any appliance is used by or near children. Children should be supervised to ensure that they do not play with the appliance.
4. Do not touch hot surfaces. Use handles or knobs. Care must be taken, as burns can occur from touching hot parts or from spilled, hot liquid.
5. To protect against electric shock, do not place cord, plug or Coffee Maker in water or other liquid.
6. Unplug from outlet when either the Coffee Maker or clock is not in use and before cleaning. Allow to cool before putting on or taking off parts and before cleaning the appliance.
7. Coffee maker must be operated on a flat surface away from the edge of counter to prevent accidental tipping.
8. The use of accessory attachments not recommended by the appliance manufacturer may cause injuries.
9. Do not operate any appliance with a damaged supply cord or plug, or after the appliance malfunctions or has been dropped or damaged in any manner. Supply cord replacement and repairs must be conducted by the manufacturer, its service agent, or similarly qualified persons in order to avoid a hazard. Call the provided customer service number for information on examination, repair, or adjustment.
10. Use only the carafe provided with the appliance.
11. Do not use outdoors.
12. Do not let cord hang over edge of table or counter or touch hot surfaces, including stove.
13. The carafe is designed for use with this coffee maker. It must never be used on a range top or in a microwave oven.
14. Do not set a hot carafe on a wet or cold surface.
15. Do not use a cracked carafe or one with a loose or weakened handle.
16. Do not clean carafe with cleansers, steel wool pads, or other abrasive materials.
17. Be certain carafe lid is securely in place during brew cycle and when pouring coffee. Do not use force when placing lid on carafe.
18. Do not place coffee maker on or near a hot gas or electric burner or in a heated oven.
19. To disconnect Coffee Maker, turn controls to OFF (●) and then remove plug from wall outlet. To unplug, grasp the plug and pull from the outlet. Never pull from the power cord.
20. **WARNING!** To reduce the risk of fire or electric shock, do not remove the bottom cover. No user-serviceable parts are inside. Repair should be done by authorized service personnel only.
21. Do not use appliance for other than intended use.
22. Warming plate may remain hot after the coffee maker is turned off.

SAVE THESE INSTRUCTIONS

Other Consumer Safety Information

This appliance is intended for household use only.

⚠ WARNING Electrical Shock Hazard: This appliance is provided with a polarized plug (one wide blade) to reduce the risk of electric shock. The plug fits only one way into a polarized outlet. Do not defeat the safety purpose of the plug by modifying the plug in any way or by using an adapter. If the plug does not fit fully into the outlet, reverse the plug. If it still does not fit, have an electrician replace the outlet. The length of the cord used on this appliance was selected to reduce

the hazards of becoming tangled in or tripping over a longer cord. If a longer cord is necessary, an approved extension cord may be used. The electrical rating of the extension cord must be equal to or greater than the rating of the appliance. Care must be taken to arrange the extension cord so that it will not drape over the countertop or tabletop where it can be pulled on by children or accidentally tripped over.

To avoid an electrical circuit overload, do not use another high-wattage appliance on the same circuit with this appliance.

Parts and Features

To order parts:

US: 1.800.851.8900

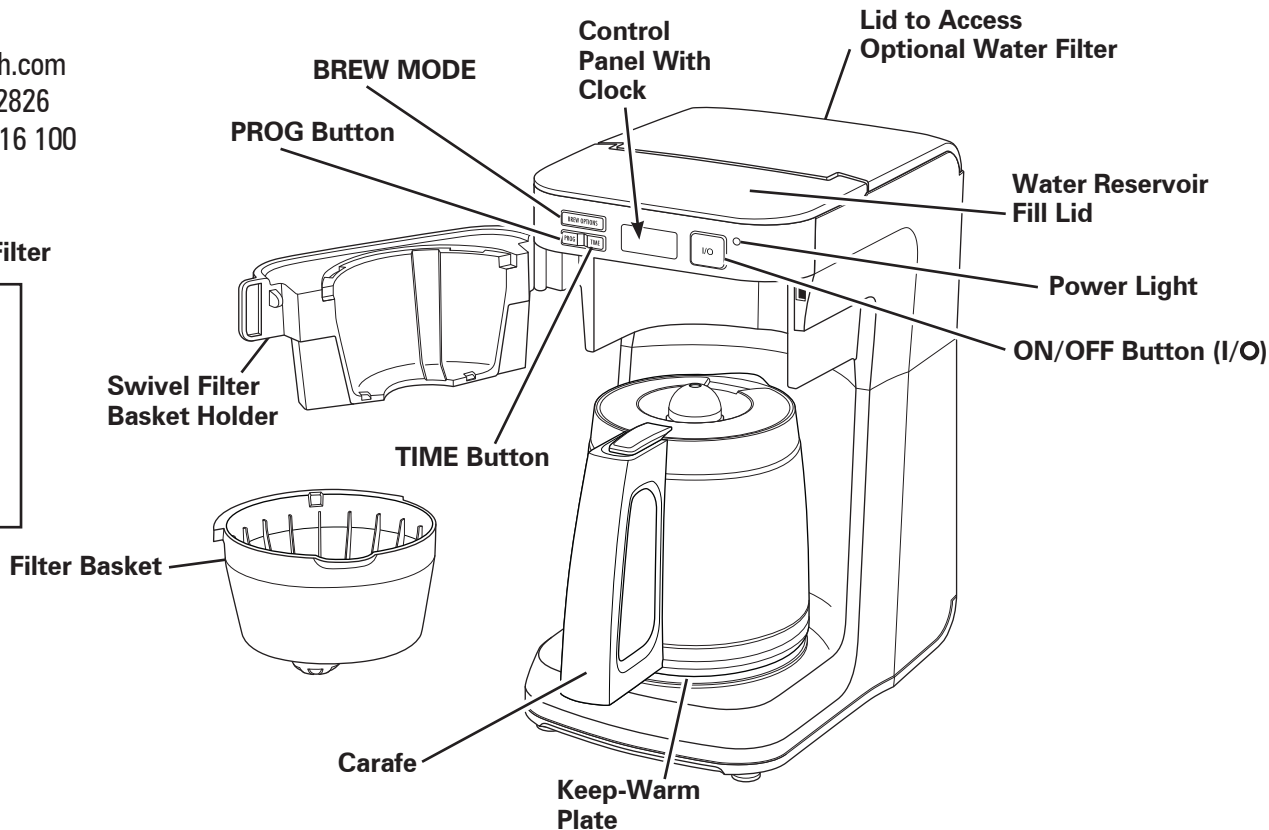
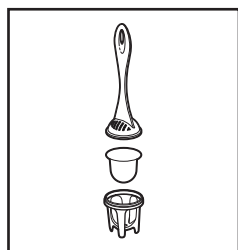
www.hamiltonbeach.com

Canada: 1.800.267.2826

Mexico: 01 800 71 16 100

BEFORE FIRST USE: Wash all removable parts in hot, soapy water. Rinse and dry. Brew one cycle with water and discard water.

Optional Water Filter



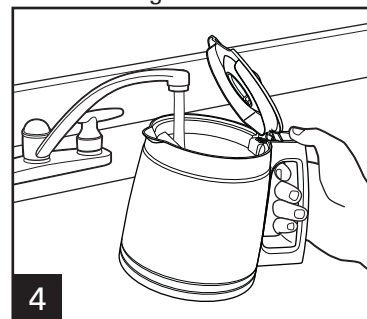
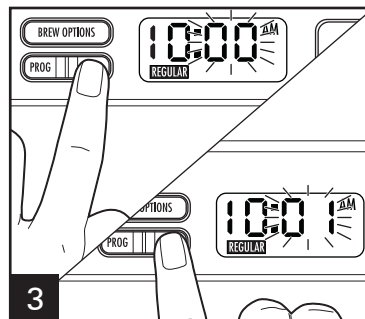
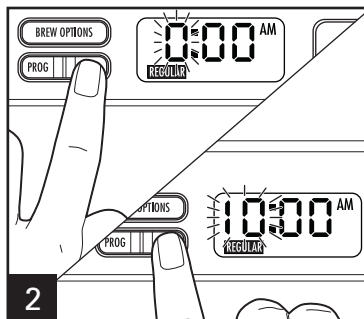
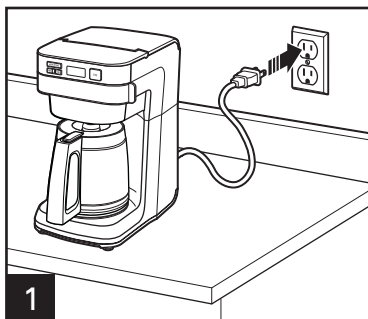
How to Make Coffee

⚠ WARNING Burn Hazard.

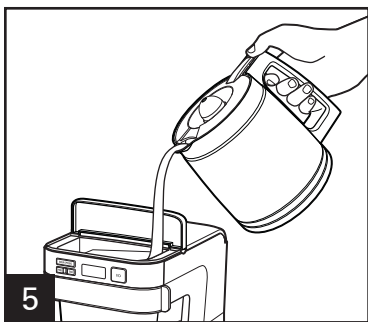
To avoid hot coffee overflowing from the filter basket:

- When using decaffeinated coffee, do not exceed the coffee manufacturer's recommended serving amount.
- Ensure swivel filter basket is completely closed.

If filter basket overflow occurs, unplug coffee maker and allow coffee in filter basket to cool before removing filter basket.

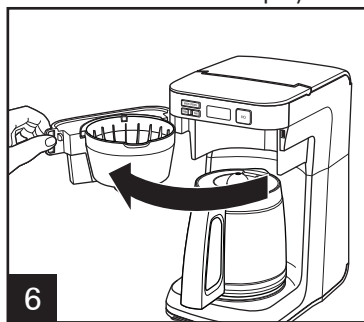


Press and release **TIME** button. Hour will flash in display. Press and pulse **TIME** button to increase to set current hour in AM or PM. Wait 3 seconds; minutes will flash. Press and pulse **TIME** button to increase to set current minutes. Set time will display constant.

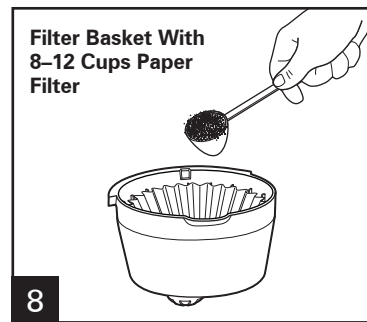
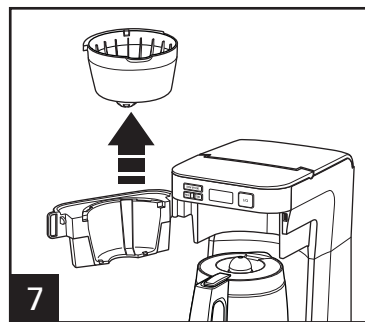


Lift water reservoir fill lid to add water.

4



For each cup of coffee being made, place one level tablespoon of ground coffee into filter. A permanent filter may also be used with the filter basket.

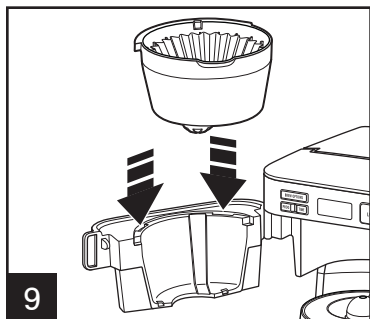


Filter Basket With
8-12 Cups Paper
Filter

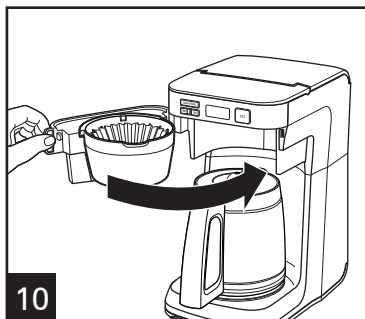
How to Make Coffee (cont.)

⚠ WARNING Shock Hazard.

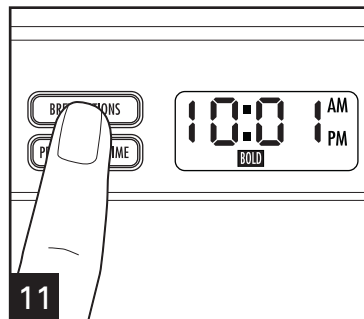
Do not immerse cord, plug, or coffee maker in any liquid.



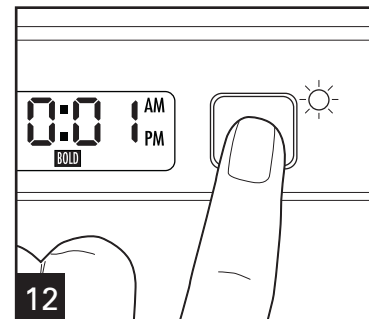
9 Place brew basket tabs in slots in filter basket holder.



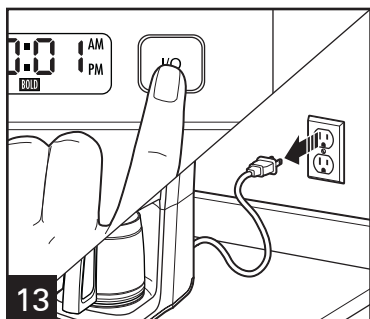
10 Close swivel filter basket holder before brewing, and do not open until brewing cycle is complete and unit is cool.



11 Select your brew option. (See "How to Use the Brew Options.")

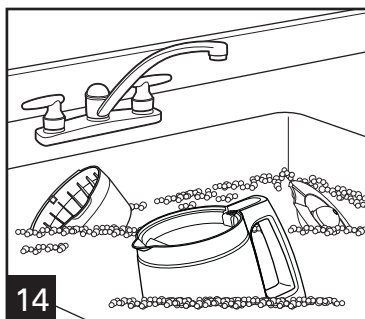


12 Press I/O ON/OFF button once to turn on the coffee maker. Power light will illuminate.



13 When finished, press I/O ON/OFF button once and unplug.

NOTE: If the coffee maker is not turned off manually, it will automatically shut off in 2 hours and the power light will turn off.



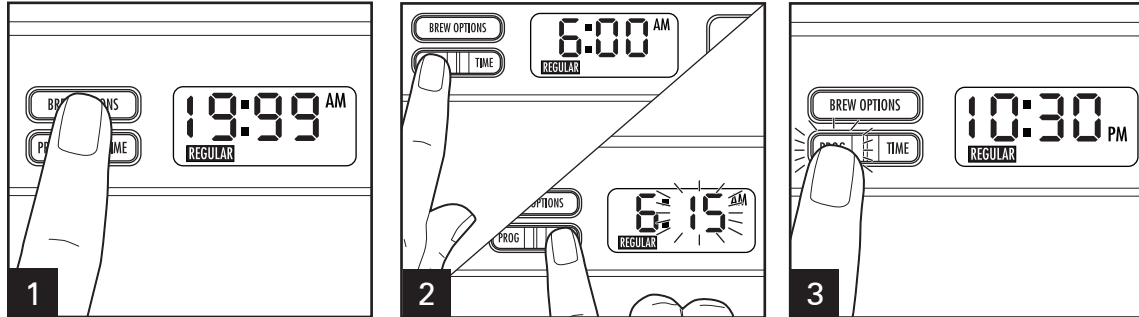
14 Wash in warm, soapy water. Rinse and dry.



Dishwasher-safe wash and dry in TOP RACK only.

To Program Automatic Brew

NOTE: White LED will illuminate to indicate PROGRAM is activated. White LED light will turn off when the unit begins to brew at the preprogrammed time.



Choose a brew option. Then, hold **PROG** button. Next, press and pulse **TIME** button to set desired brewing hour in AM or PM. Wait 3 seconds; minutes will flash. Then press and pulse **TIME** button to increase to set minutes. Set time will display constant. Release **PROG** and current time is displayed.

Press and release **PROG** again to activate automatic brew. **PROG** light will illuminate.

Tips for Best-Tasting Coffee

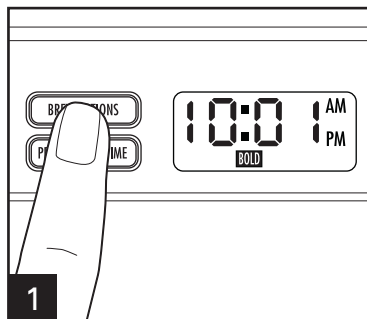
- All coffees are made from either arabica beans or robusta beans, or some combination of both. Arabica beans are slightly more expensive, but tend to produce better-tasting coffee.
- Ground coffee will become stale much faster than whole beans. If buying preground coffee, chose a package with the latest expiration date or a smaller quantity.
- If grinding whole beans, set your coffee grinder on a fine/medium grind. This will yield the best-tasting grounds. Try to use freshly ground coffee within about a week of grinding.
- Using a water filter, filtered water, or bottled water will yield better-tasting coffee than tap water.
- Use approximately 1 tablespoon of grounds for each cup of coffee being made. To avoid overflow, use about 1/3 less grounds when brewing decaf or flavored coffees.
- Make sure your coffee maker is clean. See "Care and Cleaning" section.

How to Use the Brew Options and Clean Notification

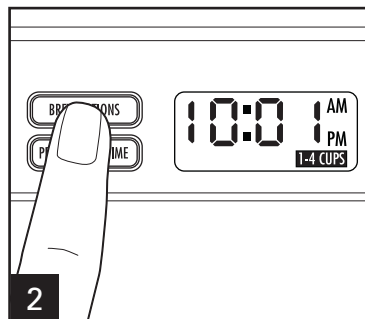
BREW OPTIONS

Your coffee maker will default to the "Regular" strength coffee setting when brewing.

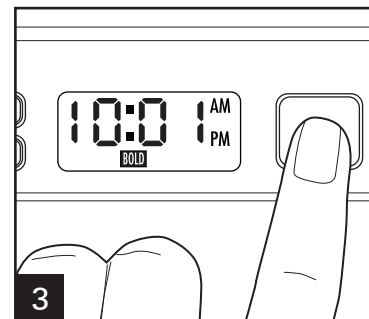
NOTE: Using the brew strength options will increase the length of brewing time slightly.



For stronger coffee, press the **BREW OPTIONS** button until "BOLD" is illuminated.



For small amounts, use the 1-4 cup setting by pressing the **BREW OPTIONS** button until "1-4 CUPS" is illuminated.



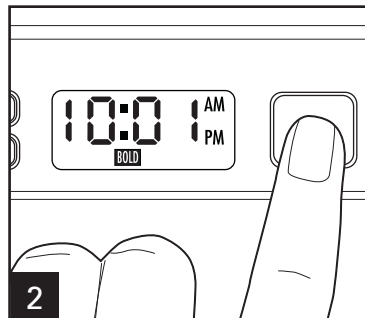
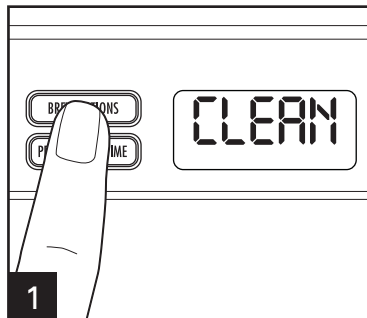
Then, press the **I/O ON/OFF** button or set the Automatic Brew to start the coffee maker after your brew option has been selected.

CLEAN NOTIFICATION

If unit is always plugged in, after 30 cycles CLEAN will scroll across the display. Follow the directions for "Care and Cleaning."

NOTES:

- Performing the cleaning procedure will clear the display.
- The brew cycle counter resets every time the coffee maker is unplugged.

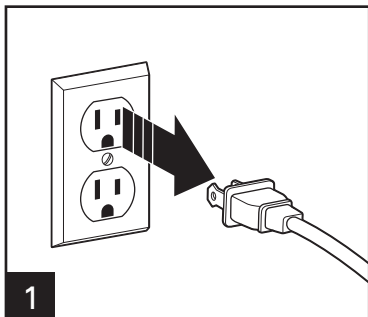


If you do not want to perform the cleaning procedure, press the **I/O ON/OFF** button two times to clear the display.

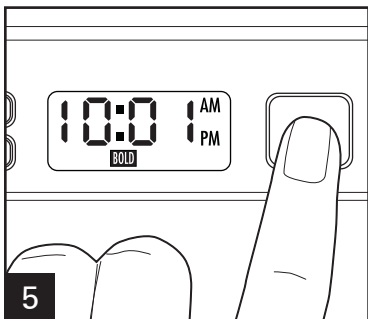
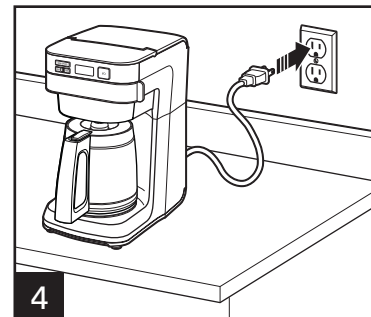
Care and Cleaning

⚠ WARNING Shock Hazard.
Do not immerse cord, plug, or coffee maker in any liquid.

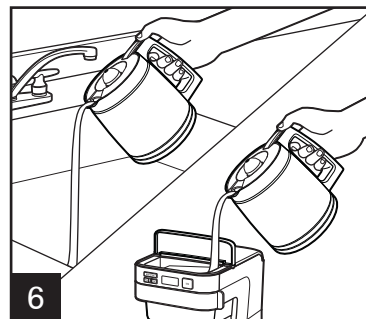
All coffee makers should be cleaned at least once a month (once a week for areas with hard water).



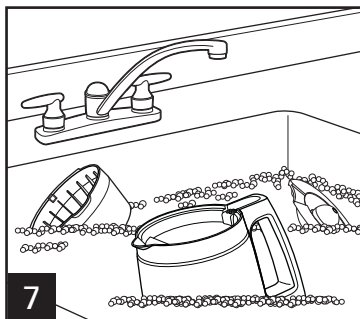
Unplug coffee maker (this resets brew counter for cleaning mode notification). Wipe coffee maker with a damp cloth or sponge. Dry. Remove water filter and water filter base (see "How to Replace the Water Filter"). Pour a minimum of 1 pint (2 cups/473 ml) white vinegar into water reservoir.



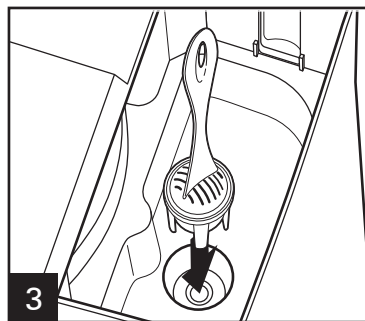
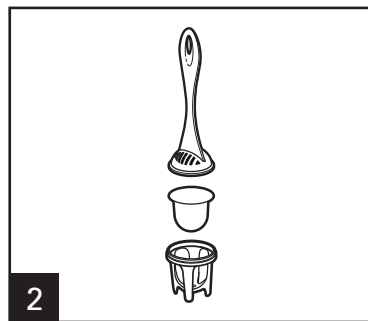
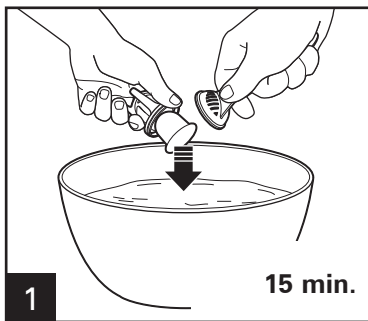
Press the I/O ON/OFF button once. After 30 seconds, turn OFF. Wait 30 minutes to allow vinegar to clean. Then turn ON again. When brew cycle is finished, wait for unit to cool.



Empty carafe and rinse. Run 2-3 more brew cycles with CLEAN WATER only. Allow to cool between cycles.



How to Replace the Water Filter (optional accessory)



For better-tasting coffee, use a water filter.
Filter replacement is recommended every 60 cycles.

To order parts:
US: 1.800.851.8900
www.hamiltonbeach.com
Canada: 1.800.267.2826
Mexico: 01 800 71 16 100

Carafe Safety Precautions

- Do not use a cracked carafe or a carafe having a loose or weakened handle.
- This carafe is designed to be used only on the keep-hot plate of your coffee maker. Do not use on a gas or electric rangetop, or in a microwave or conventional oven.
- To avoid breakage, handle carafe with care. Avoid impact. Glass will break as a result of impact. Use care when filling with water to avoid hitting faucet.
- Do not place hot carafe on cool or wet surface. Allow to cool before washing or adding liquids.
- Do not set empty carafe on a hot heating surface.
- Do not clean with steel wool pads, abrasive cleanser, or any other materials that may scratch.



This symbol alerts you to the potential danger for personal injury if you fail to read and follow these safety precautions.



This symbol reminds you that glass is fragile and can break which could result in personal injury.

- Do not place hands inside carafe. When handling, be careful if wearing any hand jewelry, especially diamond rings. Jewelry can scratch the glass, which increases possibility of breakage.
- Do not bump, scratch, or boil dry.
- Discard carafe if it is cracked, scratched, or heated while empty for an extended period of time.
- To avoid accidents, do not pour in the direction of people.
- If stirring in the carafe, use only wooden, plastic, or rubber utensils. Do not use metal utensils.
- Follow the above safety precautions carefully to avoid serious burn injuries which may result if breakage occurs while carafe holds heated liquids.

Troubleshooting

PROBLEM

Filter basket overflows or coffee brews slowly.

PROBABLE CAUSE/SOLUTION

- The "BOLD" or 1–4 cup brew option is recommended for brewing decaffeinated coffee.
 - Excessive amounts of coffee.
 - Coffee ground too finely (not automatic drip grind).
 - Carafe not securely placed on keep-warm plate or swivel filter basket holder not closed completely.
 - Carafe removed during brewing for more than 20 seconds and not placed securely back on keep-warm plate.
 - Coffee maker needs cleaning.
 - Coffee grounds between paper filter and filter basket.
 - Paper filter not open and in proper position.
 - Press the seamed edges of paper filter before inserting into basket.
 - Rinse filter basket before inserting paper filter so the edges will remain pressed against the sides of the basket.
 - Poor-quality paper filter.
- Coffee not brewing/unit will not turn on.
- Water reservoir is empty.
 - Unit is unplugged.
 - Power outage.
 - Power surge. Unplug; then plug the unit back in.
 - Clock requires reset after power outage.

Limited Warranty

This warranty applies to products purchased and used in the U.S. and Canada. This is the only express warranty for this product and is in lieu of any other warranty or condition.

This product is warranted to be free from defects in material and workmanship for a period of five (5) years from the date of original purchase in Canada and one (1) year from the date of original purchase in the U.S. During this period, your exclusive remedy is repair or replacement of this product or any component found to be defective, at our option; however, you are responsible for all costs associated with returning the product to us and our returning a product or component under this warranty to you. If the product or component is no longer available, we will replace with a similar one of equal or greater value.

This warranty does not cover glass, filters, wear from normal use, use not in conformity with the printed directions, or damage to the product resulting from accident, alteration, abuse, or misuse. This warranty extends only to the original consumer purchaser or gift recipient. Keep the original sales receipt, as proof of purchase is required to make a warranty claim. This warranty is void if the product is used for other than single-family household use or subjected to any voltage and waveform other than as specified on the rating label (e.g., 120V ~ 60 Hz).

We exclude all claims for special, incidental, and consequential damages caused by breach of express or implied warranty. All liability is limited to the amount of the purchase price. **Every implied warranty, including any statutory warranty or condition of merchantability or fitness for a particular purpose, is disclaimed except to the extent prohibited by law, in which case such warranty or condition is limited to the duration of this written warranty.** This warranty gives you specific legal rights. You may have other legal rights that vary depending on where you live. Some states or provinces do not allow limitations on implied warranties or special, incidental, or consequential damages, so the foregoing limitations may not apply to you.

To make a warranty claim, do not return this appliance to the store. Please call 1.800.851.8900 in the U.S. or 1.800.267.2826 in Canada or visit hamiltonbeach.com in the U.S. or hamiltonbeach.ca in Canada. For faster service, locate the model, type, and series numbers on your appliance.

PRÉCAUTIONS IMPORTANTES

Pour utiliser un appareil électroménager, vous devez toujours prendre des mesures élémentaires de sécurité pour réduire le risque d'incendie, d'électrocution et/ou de blessure corporelle, en particulier les mesures suivantes :

1. Lire toutes les instructions.
2. Cet appareil n'est pas destiné à être utilisé par des personnes (y compris les enfants) dont les capacités physiques, sensorielles ou mentales sont réduites, ou manquant d'expérience et de connaissance, sauf si elles sont étroitement surveillées et instruites sur l'utilisation de l'appareil par une personne responsable de leur sécurité.
3. Une surveillance étroite est requise pour tout appareil utilisé par ou près des enfants. Surveiller que les enfants ne jouent pas avec l'appareil.
4. Ne pas toucher aux surfaces chaudes. Utiliser les poignées ou les boutons. Prendre toutes les précautions nécessaires pour éviter les risques de brûlures occasionnés par les surfaces chaudes, les déversements de liquides chauds.
5. Pour protéger contre le choc électrique, ne pas placer le cordon, la fiche ou la cafetière dans l'eau ou autre liquide.
6. Débrancher l'appareil de la prise de courant lorsque la cafetière n'est pas utilisée et avant le nettoyage. Laisser refroidir l'appareil avant de placer ou de retirer des pièces, et avant de le nettoyer.
7. La cafetière doit être utilisée sur une surface droite loin du bord du comptoir, pour empêcher le basculement accidentel.
8. L'utilisation d'accessoires non recommandés par le fabricant d'électroménagers peut causer des blessures.
9. Ne pas faire fonctionner un appareil électroménager avec un cordon ou une fiche endommagée, ou lorsque l'appareil ne fonctionne pas bien ou a été échappé ou endommagé d'une manière quelconque. Le remplacement et la réparation du cordon d'alimentation doivent être faits par le fabricant, son agent de service ou toute personne qualifiée de façon à éviter tout danger. Appeler le numéro de service à la clientèle fourni pour des renseignements concernant l'examen, la réparation ou l'ajustement..
10. Utiliser uniquement la verseuse à café fournie avec cet appareil.
11. Ne pas utiliser à l'extérieur.
12. Ne pas laisser le cordon pendre par dessus le bord d'une table ou d'un comptoir, ou toucher des surfaces chaudes, y compris la cuisinière.
13. La verseuse à café est conçue exclusivement pour cette cafetière. Elle ne doit jamais être utilisée sur une table de cuisson ou dans un four à micro-ondes.
14. Ne pas placer la verseuse à café chaude sur une surface mouillée ou froide.
15. Ne pas utiliser une verseuse à café fissurée ou avec une poignée lâche ou usée.
16. Ne pas nettoyer la verseuse à café avec de la poudre à nettoyer, des tampons métalliques ou autres matériaux abrasifs.
17. S'assurer que le couvercle de la verseuse à café est bien fixé pendant le cycle d'infusion et au moment de verser le café. Ne pas utiliser la force pour fixer le couvercle de la verseuse à café.
18. Ne placer jamais votre appareil sur ou à proximité d'un brûleur électrique ou à gaz chaud, ou dans un four chauffé.
19. Pour débrancher la cafetière, tourner les boutons de réglage à OFF (O) puis débrancher la fiche de la prise murale. Pour le débrancher, tenir la fiche et la retirer de la prise. Ne jamais tirer sur le cordon.
20. **AVERTISSEMENT !** Pour éviter les risques d'incendie et d'électrocution, ne pas enlever le couvercle inférieur de la cafetière. Aucune pièce réparable à l'intérieur. Les réparations doivent être faites par un technicien agréé seulement.
21. Ne pas utiliser cet appareil pour un autre usage que celui auquel il est destiné.
22. La plaque chauffante peut être encore chaude même si la cafetière est éteinte.

CONSERVEZ CES INSTRUCTIONS

Autres renseignements relatifs à la sécurité du consommateur

Cet appareil est destiné à un usage domestique uniquement.

⚠ AVERTISSEMENT Risque de choc électrique : Cet appareil est fourni avec une fiche polarisée (une broche large) pour réduire le risque d'électrocution. Cette fiche n'entre que dans un seul sens dans une prise polarisée. Ne contrecarrez pas l'objectif sécuritaire de cette fiche en la modifiant de quelque manière que ce soit ou en utilisant un adaptateur. Si vous ne pouvez pas insérer complètement la fiche dans la prise, inversez la fiche. Si elle refuse toujours de s'insérer, faire remplacer la prise par un électricien.

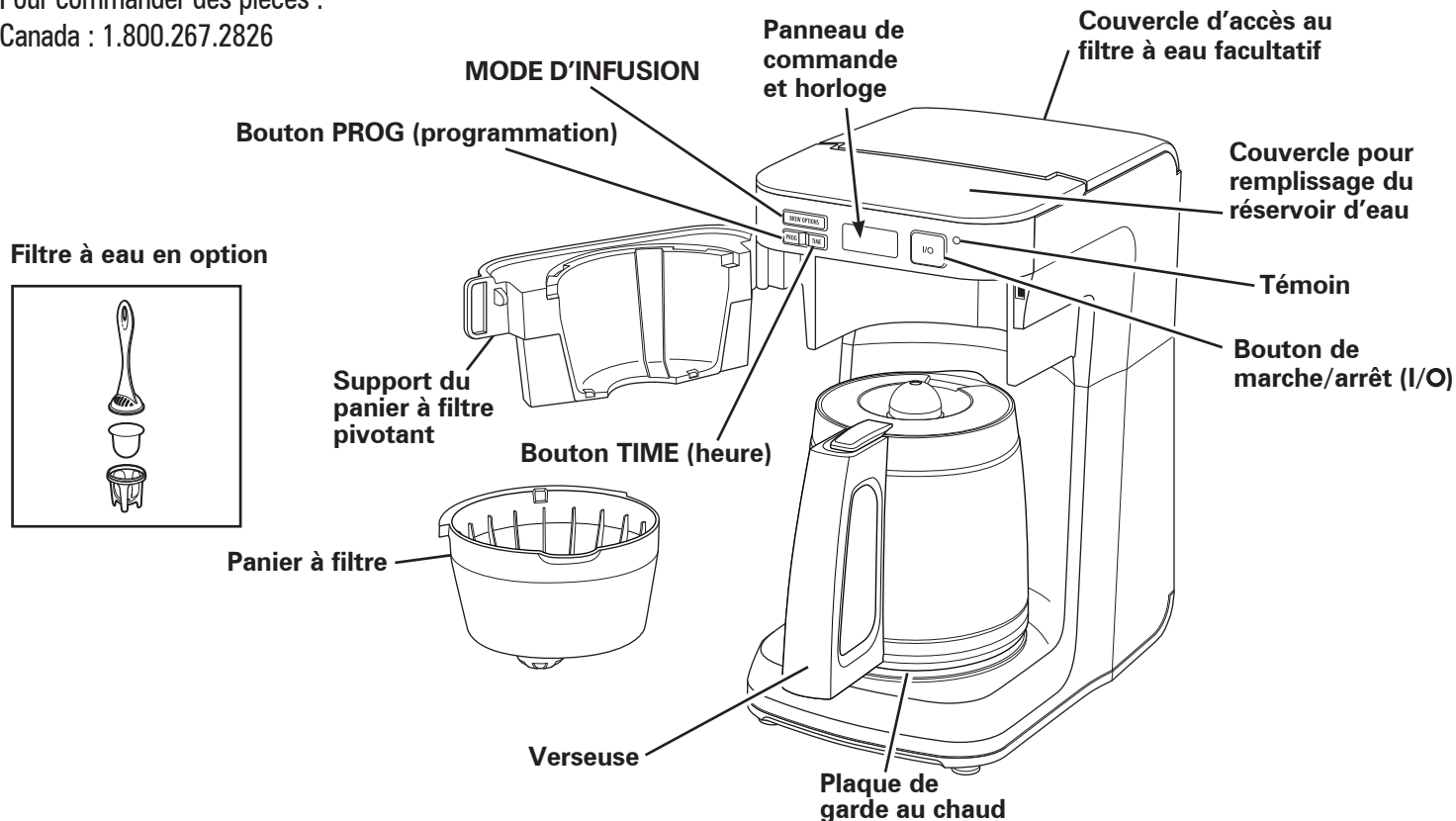
La longueur du cordon installé sur cet appareil a été sélectionnée afin de réduire les risques d'enchevêtrement ou de faux pas causés par un fil trop long. L'utilisation d'une rallonge approuvée est permise si le cordon est trop court. Les caractéristiques électriques de la rallonge doivent être équivalentes ou supérieures aux caractéristiques de l'appareil. Prendre toutes les précautions nécessaires pour installer la rallonge de manière à ne pas la faire courir sur le comptoir ou sur une table pour éviter qu'un enfant ne tire sur le cordon ou trébuche accidentellement.

Pour éviter la surcharge du circuit électrique, ne pas utiliser un autre appareil à haute puissance sur le même circuit que cet appareil.

Pièces et caractéristiques

Pour commander des pièces :
Canada : 1.800.267.2826

AVANT LA PREMIÈRE UTILISATION : Laver toutes les pièces amovibles dans de l'eau chaude savonneuse. Rincer et sécher. Faire un cycle d'infusion avec de l'eau puis jeter l'eau.



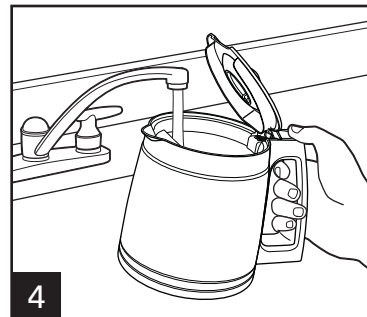
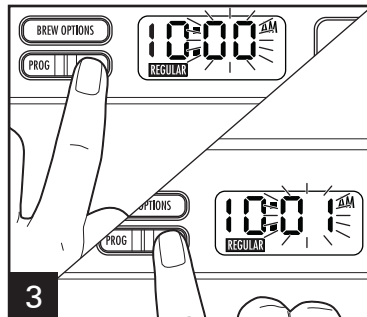
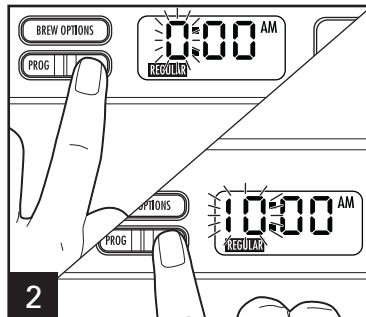
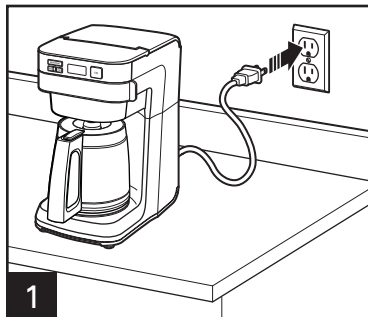
Préparation du café

⚠ AVERTISSEMENT Risque de brûlure.

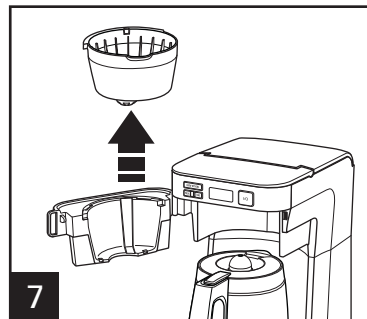
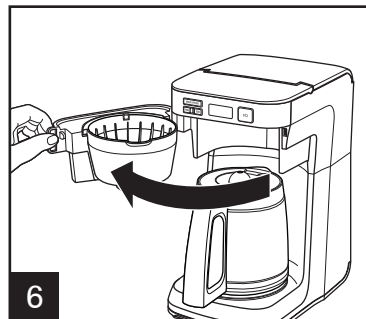
Pour éviter le débordement de café chaud du panier-filtre :

- Lors de l'utilisation d'un café décaféiné, ne dépassez pas les quantités recommandées par le fabricant de café.
- Assurez-vous que le panier à filtre pivotant est complètement fermé.

Si le panier-filtre déborde, débrancher la cafetière et laisser refroidir le contenu du panier-filtre avant de retirer le panier-filtre.



Appuyer et relâcher le bouton **TIME** (heure). L'heure clignotera sur l'afficheur. Appuyer à plusieurs reprises sur le bouton **TIME** (heure) pour régler l'heure du matin ou du soir (AM ou PM) actuelle. Attendre 3 secondes avant que les minutes clignotent. Appuyer à plusieurs reprises sur le bouton **TIME** (heure) pour régler les minutes actuelles. L'heure enregistrée restera affichée.



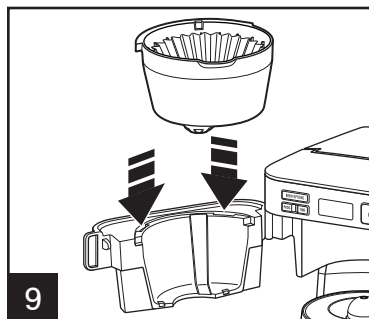
Panier-filtre avec
filtre de 8 à 12
tasses en papier

Soulever le couvercle de remplissage du réservoir d'eau et ajouter de l'eau. Pour chaque tasse de café prévue, déposer 1 cuillère à soupe rase de café moulu au fond du filtre. Un filtre permanent peut aussi être utilisé avec le panier à filtre.

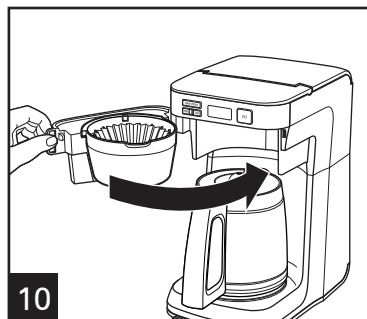
Préparation du café (suite)

⚠ AVERTISSEMENT Risque d'électrocution.

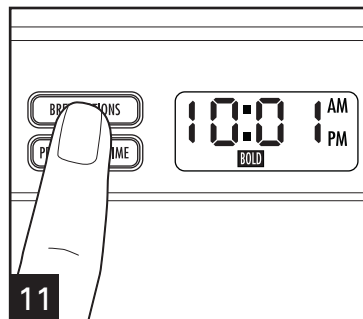
Ne pas immerger le cordon, la fiche ou la cafetière dans aucun liquide.



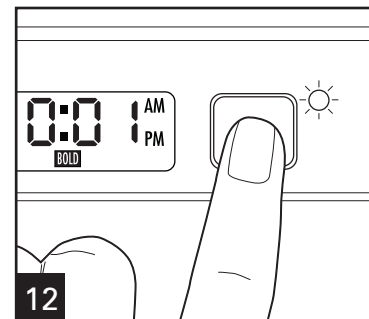
9
Insérer les languettes du panier à filtre dans les fentes du support à panier à filtre.



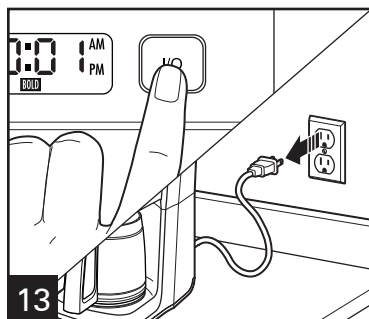
10
Fermer le support du panier à filtre pivotant avant d'infuser et ne l'ouvrir pas avant que le cycle d'infusion ne soit terminé et que l'appareil ne soit refroidi.



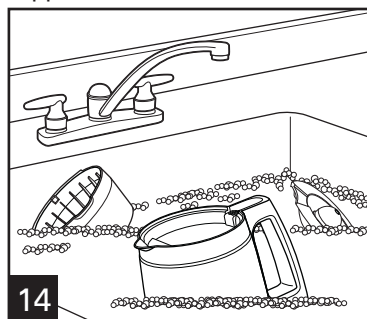
11
Sélectionner l'option d'infusion désiré. (Voir le chapitre « Utilisation des options d'infusion »).



12
Appuyer sur le bouton I/O (MARCHE/ARRÊT) pour démarrer le cycle d'infusion. Le témoin s'allumera.



13
Lorsque vous avez terminé, appuyer un fois sur le bouton I/O (MARCHE/ARRÊT) puis débrancher. **NOTE:** Si la cafetière n'est pas éteinte en appuyant manuellement sur le bouton, la cafetière s'éteindra automatiquement après 2 heures et le témoin s'éteindra. Laver dans de l'eau chaude savonneuse. Rincer et sécher. Lavable au lave-vaisselle dans le PANIER SUPÉRIEUR seulement.



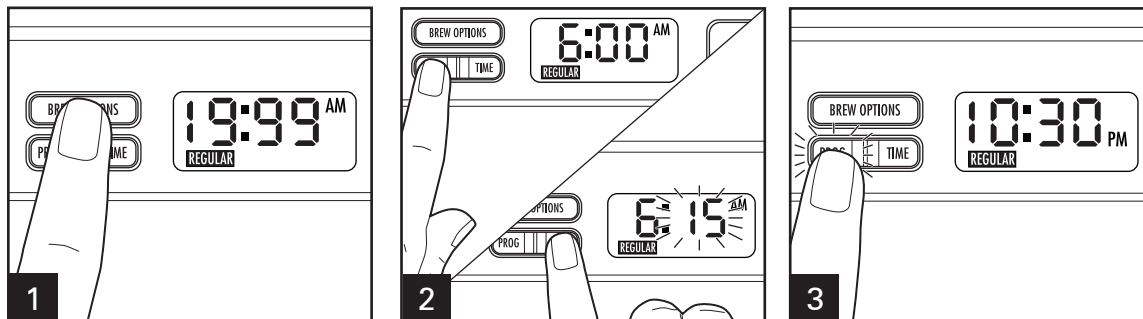
14
LAVABLES AU LAVE-VAISSELLE
(le panier supérieur)



LAVABLES AU LAVE-VAISSELLE
(le panier supérieur)

Programmation de l'infusion automatique

NOTE: Le témoin à DEL blanche s'allumera pour indiquer que la fonction PROGRAM (programmation) est activée. Le témoin à DEL blanche s'éteindra dès que l'infusion commence à l'heure programmée.



Sélectionner une option d'infusion puis maintenir le bouton **PROG** (programmation) enfoncé. Appuyer ensuite à plusieurs reprises sur le bouton **TIME** (heure) pour régler l'heure du matin ou du soir (AM ou PM) du début d'infusion. Attendre 3 secondes avant que les minutes clignotent. Appuyer à plusieurs reprises sur le bouton **TIME** (heure) pour régler les minutes actuelles. L'heure enregistrée restera affichée. Relâcher le bouton **PROG** (programmation). L'heure actuelle sera maintenant affichée. Appuyer sur **PROG** (programme) et relâcher de nouveau pour activer l'infusion automatique. Le témoin **PROG** (programmation) s'allumera.

Conseils pour obtenir un excellent café

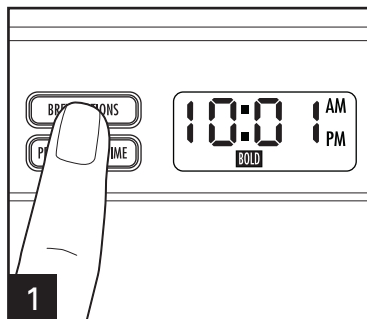
- Tous les cafés sont faits à partir de grains arabica ou robusta ou une combinaison des deux. Les grains Arabica sont légèrement plus coûteux, mais ont tendance à produire le meilleur café.
- Le café moulu s'évente beaucoup plus rapidement que les grains entiers. Si vous achetez du café moulu, choisissez un paquet avec la date d'expiration la plus tardive ou une plus petite quantité.
- Pour moulin des grains entiers, réglez votre moulin à café sur un réglage fine / moyen. Ceci donnera des moutures au meilleur arôme. Essayez d'utiliser du café fraîchement moulu dans la semaine qui suit.
- Utilisez un filtre à eau, de l'eau filtrée ou en bouteille donne un café de meilleur arôme que d'utiliser de l'eau du robinet.
- Utilisez environ 1 cuillère à soupe de café moulu pour chaque tasse de café à infuser. Pour le café décaféiné et les cafés aromatisés, utilisez environ 1/3 de moins de café moulu pour éviter les débordements.
- Assurez-vous que la cafetière est propre. Consultez le chapitre « Entretien et nettoyage ».

Utilisation des options d'infusion et du rappel de nettoyage

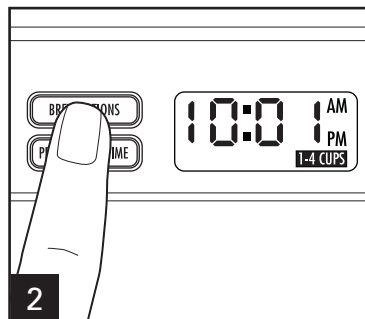
OPTIONS D'INFUSION

Votre cafetière fonctionnera selon le réglage d'intensité de café « Régulier » par défaut tandis que l'infusion se produit.

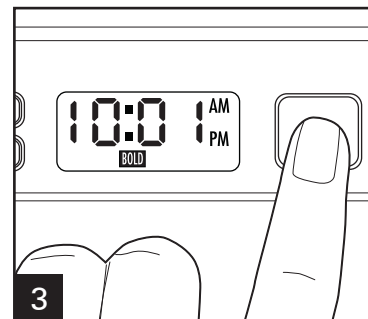
REMARQUE : La durée du temps d'infusion pourra être augmentée légèrement lorsque vous utilisez les options d'intensité d'infusion.



1 Pour obtenir une infusion plus corsée, appuyer sur le bouton **BREW OPTIONS** (options d'infusion) jusqu'à ce que le mot « **BOLD** » (corsé) s'affiche.



2 Pour les petites quantités, utiliser le réglage de 1 à 4 tasses en appuyant sur le bouton **BREW OPTIONS** (options d'infusion) jusqu'à ce que « **1-4 CUPS** » s'affiche.



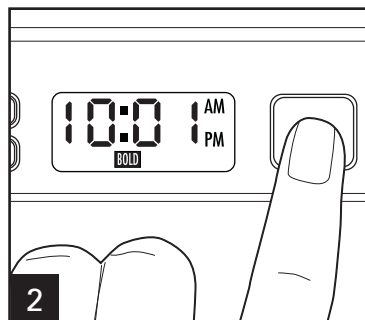
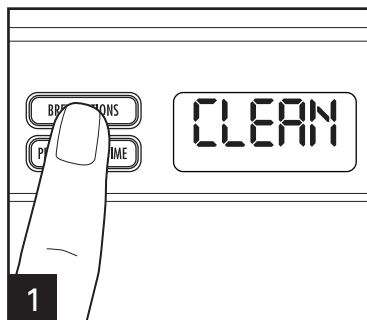
3 Puis, appuyez sur le bouton **I/O** (MARCHE/ARRÊT) ou réglez sur l'infusion automatique pour lancer la cafetière une fois l'option d'infusion sélectionnée.

RAPPEL DE NETTOYAGE

Si l'appareil n'a pas été débranché, le mot **CLEAN** (nettoyage) défilera à l'afficheur après 30 cycles. Suivre les instructions au chapitre « Entretien et nettoyage ».

REMARQUES :

- La procédure de nettoyage effacera tous les programmes et options.
- Le compteur de cycles d'infusion se réinitialise chaque fois que la cafetière est débranchée.

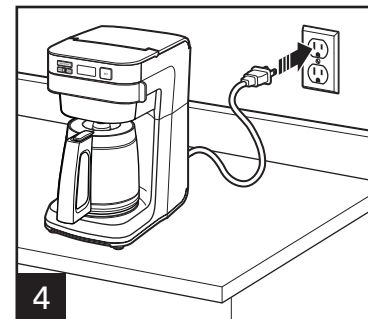
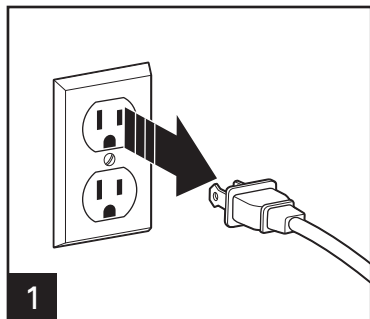


Si l'on ne désire pas nettoyer la cafetière, appuyer deux fois sur le bouton de **I/O** (MARCHE/ARRÊT) pour effacer le message de l'afficheur.

Entretien et nettoyage

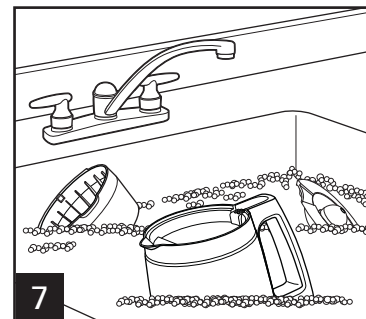
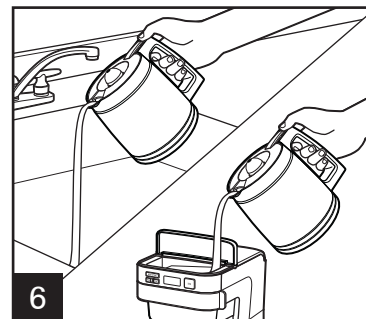
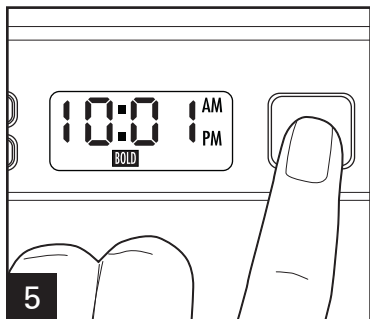
⚠ AVERTISSEMENT Risque d'électrocution. Ne pas immerger le cordon, la fiche ou la cafetière dans aucun liquide.

Toutes les cafetières doivent être nettoyées au moins une fois par mois (une fois par semaine dans les régions où l'eau est calcaire).



Débrancher la cafetière (ceci réinitialisera le compteur de cycle d'infusion du rappel de nettoyage).

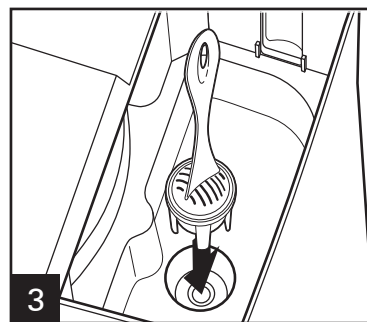
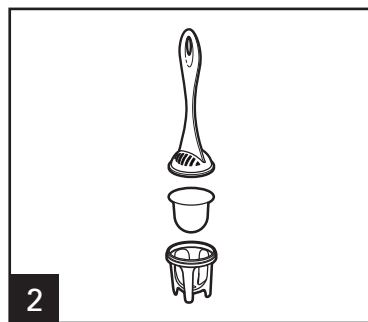
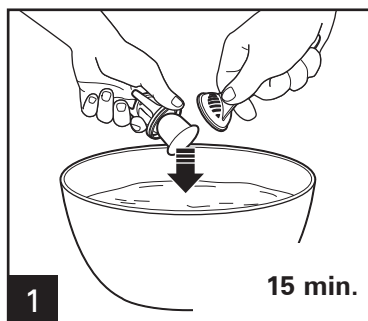
Essuyer la cafetière avec un linge humide ou une éponge. Sécher. Retirer le filtre à eau et la base du filtre à eau (voir le chapitre « Comment remplacer le filtre à eau »). Verser au moins 2 tasses (473 ml) de vinaigre blanc dans le réservoir d'eau.



Appuyer une fois sur le bouton I/O (MARCHÉ/ARRÊT). Au bout de 30 secondes, éteindre la cafetière.

Attendre 30 minutes pour laisser le vinaigre agir. Mettre en marche de nouveau. Lorsque le cycle d'infusion est terminé, attendre que l'appareil soit refroidi. Vider la verseuse et rincer-la. Faites fonctionner 2-3 autres cycles d'infusion avec SEULEMENT DE L'EAU. Laisser refroidir entre les cycles.

Comment remplacer le filtre à eau (accessoire en option)



Pour obtenir un café qui a meilleur goût, utiliser un filtre à eau.

Nous vous recommandons de changer le filtre tous les 60 cycles.

Pour commander des pièces :
Canada : 1.800.267.2826

Précautions à prendre avec la verseuse

- N'utiliser pas une verseuse fêlée ou dont la poignée est desserrée.
- Cette verseuse est conçue pour être utilisée uniquement sur la plaque chauffante de votre cafetière. Éviter de la faire fonctionner sur le dessus d'une cuisinière électrique ou à gaz, ou dans un four à micro-ondes ou conventionnel.
- Pour éviter de la briser, manipuler la verseuse avec soin. Éviter tout impact car le verre cassera. Lorsque vous la remplirez d'eau, agir avec précaution pour éviter de heurter un robinet.
- Ne placer pas la verseuse chaude sur une surface froide ou humide. Laissez-la refroidir avant de la nettoyer ou d'y verser un liquide.
- Ne laisser pas une verseuse vide sur une surface chauffante.
- Éviter de nettoyer la verseuse avec des produits qui égratignent comme les tampons en laine d'acier ou les produits nettoyants abrasifs.



Ce symbole vous indique les dangers possibles de blessures corporelles si vous omettez de lire et de suivre ces précautions de sécurité.



Ce symbole vous rappelle que le verre est fragile et qu'une brisure peut entraîner des blessures corporelles.

- N'insérer pas les mains dans la verseuse. Manipuler celle-ci avec soin si vous portez des bijoux, particulièrement des bagues avec diamants. Les bijoux peuvent égratigner le verre, ce qui augmente la possibilité de casse.
- Éviter de heurter, d'égratigner la cafetière ou de laisser l'eau s'évaporer entièrement.
- Jeter immédiatement la verseuse lorsque celle-ci est craquelée, égratignée, ou chauffée à vide durant une longue période.
- Afin d'éviter les accidents, ne verser pas le liquide en faisant face aux gens.
- Pour remuer le liquide dans la verseuse, n'utiliser que des ustensiles en plastique, en bois ou en caoutchouc. N'utiliser pas d'ustensiles en métal.
- Veuillez suivre à la lettre ces précautions de sécurité pour éviter toute brûlure grave qui pourrait être causée par le bris d'une verseuse remplie de liquide chaud.

Dépannage

PROBLÈME

Le panier de filtre déborde ou le café infuse lentement.

La cafetière n'infuse pas de café/l'appareil ne se met pas en marche.

CAUSE PROBABLE/SOLUTION

- L'option « BOLD » ou infusion de 1 à 4 tasses est recommandée pour infuser le café décaféiné.
 - Quantités excessives de café.
 - Mouture de café trop fine (inadaptée pour cafetière automatique).
 - Verseuse pas fermement positionnée sur la plaque de garde au chaud ou support de panier à filtre pivotant pas complètement fermé.
 - La verseuse a été enlevée durant l'infusion pendant plus de 20 secondes et n'a pas été bien remise en place sur la plaque de garde au chaud.
 - La cafetière a besoin d'être nettoyée.
 - De la mouture de café a pénétré entre le filtre en papier et le panier de filtre.
 - Le filtre en papier n'est pas ouvert ou est mal positionné.
 - Appuyer sur le joint rabattu du filtre en papier avant de l'insérer dans le panier.
 - Rincer le panier à filtre avant d'y placer le filtre en papier pour que les bords de celui-ci adhèrent aux parois humides du panier.
 - Filtre en papier de mauvaise qualité.
-
- Le réservoir d'eau est vide.
 - L'appareil est débranché.
 - Il y a eu une panne d'électricité.
 - Il y a eu une surtension électrique. Débrancher l'appareil et brancher-le à nouveau.
 - L'horloge doit être réglée de nouveau après la panne d'électricité.

Garantie limitée

Cette garantie s'applique aux produits achetés et utilisés aux É.-U. et au Canada. C'est la seule garantie expresse pour ce produit et est en lieu et place de tout autre garantie ou condition.

Ce produit est garanti contre tout défaut de matériaux et de main-d'oeuvre pour une période des cinq (5) ans à compter de la date d'achat d'origine au Canada et un (1) an à compter de la date d'achat d'origine aux É.-U. Au cours de cette période, votre seul recours est la réparation ou le remplacement de ce produit ou tout composant s'avérant défectueux, à notre gré, mais vous êtes responsable de tous les coûts liés à l'expédition du produit et le retour d'un produit ou d'un composant dans le cadre de cette garantie. Si le produit ou un composant n'est plus offert, nous le remplacerons par un produit similaire de valeur égale ou supérieure.

Cette garantie ne couvre pas le verre, les filtres, l'usure d'un usage normal, l'utilisation non conforme aux directives imprimées, ou des dommages au produit résultant d'un accident, modification, utilisation abusive ou incorrecte. Cette garantie s'applique seulement à l'acheteur original ou à la personne l'ayant reçu en cadeau. La présentation du reçu de vente d'origine comme preuve d'achat est nécessaire pour faire une réclamation au titre de cette garantie. Cette garantie s'annule si le produit est utilisé autrement que par une famille ou si l'appareil est soumis à toute tension ou forme d'onde différente des caractéristiques nominales précisées sur l'étiquette (par ex. : 120 V ~ 60 Hz).

Nous excluons toutes les réclamations au titre de cette garantie pour les dommages spéciaux, consécutifs et indirects causés par la violation de garantie expresse ou implicite. Toute responsabilité est limitée au prix d'achat. **Chaque garantie implicite, y compris toute garantie ou condition de qualité marchande ou d'adéquation à un usage particulier, est exonérée, sauf dans la mesure interdite par la loi, auquel cas la garantie ou condition est limitée à la durée de cette garantie écrite.** Cette garantie vous donne des droits légaux précis. Vous pouvez avoir d'autres droits qui varient selon l'endroit où vous habitez. Certaines provinces ne permettent pas les limitations sur les garanties implicites ou les dommages spéciaux ou indirects de telle sorte que les limitations ci-dessus ne s'appliquent peut-être pas à votre cas.

Ne pas retourner cet appareil au magasin lors d'une réclamation au titre de cette garantie. Téléphoner au 1.800.851.8900 aux É.-U. ou au 1.800.267.2826 au Canada ou visiter le site internet www.hamiltonbeach.com aux É.-U. ou www.hamiltonbeach.ca au Canada. Pour un service plus rapide, trouvez le numéro de modèle, le type d'appareil et les numéros de série sur votre appareil.

SALVAGUARDIAS IMPORTANTES

Cuando utilice artefactos eléctricos, siempre deben seguirse precauciones de seguridad básicas a fin de reducir el riesgo de incendio, descarga eléctrica, y/o lesiones a personas, incluyendo las siguientes:

1. Lea todas las instrucciones.
2. Este aparato no se destina para utilizarse por personas (incluyendo niños) cuyas capacidades físicas, sensoriales o mentales sean diferentes o estén reducidas, o carezcan de experiencia o conocimiento, a menos que dichas personas reciban una supervisión o capacitación para el funcionamiento del aparato por una persona responsable de su seguridad.
3. Se requiere de una estrecha supervisión cuando el aparato se use cerca de niños. Los niños deben supervisarse para asegurar que ellos no empleen los aparatos como juguete. Verifique que el voltaje de su instalación corresponda con el del producto.
4. Verifique que el voltaje de su instalación corresponda con el del producto.
5. No toque superficies calientes. Use manijas o perillas. Es importante tener cuidado ya que pueden ocurrir quemaduras al tocar partes calientes o como resultado del derrame de líquido caliente.
6. Para protegerse contra choques eléctricos no sumerja el cordón, el enchufe o la cafetera en el agua o en otro líquido.
7. Desenchufe de la toma cuando ya sea que la cafetera o reloj no estén en uso o antes de limpiar. Deje enfriar antes de poner o quitar partes y antes de limpiar el aparato.
8. La cafetera debe ser operada sobre una superficie plana lejos del borde de la mesera o mostrador para evitar que se vuelque accidentalmente.
9. El uso de aditamentos de accesorio no recomendados por el fabricante del aparato pueden causar lesiones. Use solo la jarra provista con este aparato.
10. No opere ningún aparato con cables o enchufe dañados o después de que el aparato funcione mal o se caiga o dañe de cualquier manera. El reemplazo del cable de suministro y las reparaciones deben ser efectuadas por el fabricante, su agente de servicio, o personas igualmente calificadas para poder evitar un peligro. Llame al número de servicio al cliente proporcionado para información sobre examinación, reparación o ajuste.
11. Use solo la jarra provista con este aparato.
12. No use en exteriores.
13. No deje que el cable cuelgue del borde de la mesa, mostrador, ni que toque superficies calientes, incluyendo la estufa.
14. La jarra está diseñada para uso con esta cafetera. No debe usarse sobre una estufa o en un horno de microondas.
15. No ponga una jarra caliente sobre una superficie mojada o fría.
16. No use una jarra quebrada o una con manijas flojas o debilitadas.
17. No limpie la jarra con limpiadores, estropajos de acero u otros materiales abrasivos.
18. Revise que la tapa de la jarra esté colocada de manera segura en su lugar durante el ciclo de preparación y cuando vierta café. No use fuerza cuando coloque la tapa en la jarra.
19. No coloque la cafetera sobre o cerca de un quemador de gas o eléctrico caliente o en un horno caliente. Para desconectarlo, agarre el enchufe y retire del tomacorrientes. Nunca tire el cable de alimentación.
20. Para desconectar la cafetera, ponga los controles en APAGADO (●), luego remueva el enchufe de la toma de pared.
21. **¡ADVERTENCIA!** Para reducir el riesgo de incendio o choque eléctrico, no quite la cubierta inferior de la cafetera. En el interior no hay piezas que el usuario pueda reparar. Las reparaciones deberán ser realizadas solamente por personal de servicio autorizado.
22. No use el aparato para fines ajenos a los que está destinado.
23. La placa calentadora puede permanecer caliente después de haber apagado la cafetera.

GUARDE ESTAS INSTRUCCIONES

Otra Información de Seguridad para el Cliente

Este aparato ha sido diseñado solamente para uso doméstico.

⚠ ADVERTENCIA Peligro de Descarga Eléctrica: Este aparato es provisto con un enchufe polarizado (una pata más ancha) para reducir el riesgo de una descarga eléctrica. El enchufe embona únicamente en una dirección dentro de un tomacorriente polarizado. No trate de obviar el propósito de seguridad del enchufe modificándolo de alguna manera o utilizando un adaptador. Si el enchufe no entra completamente en la toma, invierta el enchufe. Si aún no entra, haga que un electricista reemplace la toma.

El largo del cable que se usa en este aparato fue seleccionado para reducir el peligro de que alguien se enganche o tropiece con un cable más largo. Si es necesario usar un cable más largo, se podrá usar un cable de extensión aprobado. La clasificación eléctrica nominal del cable de extensión debe ser igual o mayor que la clasificación nominal del aparato. Es importante tener cuidado de colocar el cable de extensión para que no se pliegue sobre el mostrador o la mesera en donde niños puedan tirar del mismo o tropezarse accidentalmente.

Para evitar una sobrecarga eléctrica del circuito, no use otro aparato de alto voltaje en el mismo circuito con este aparato.

Piezas y Características

Para ordenar partes:

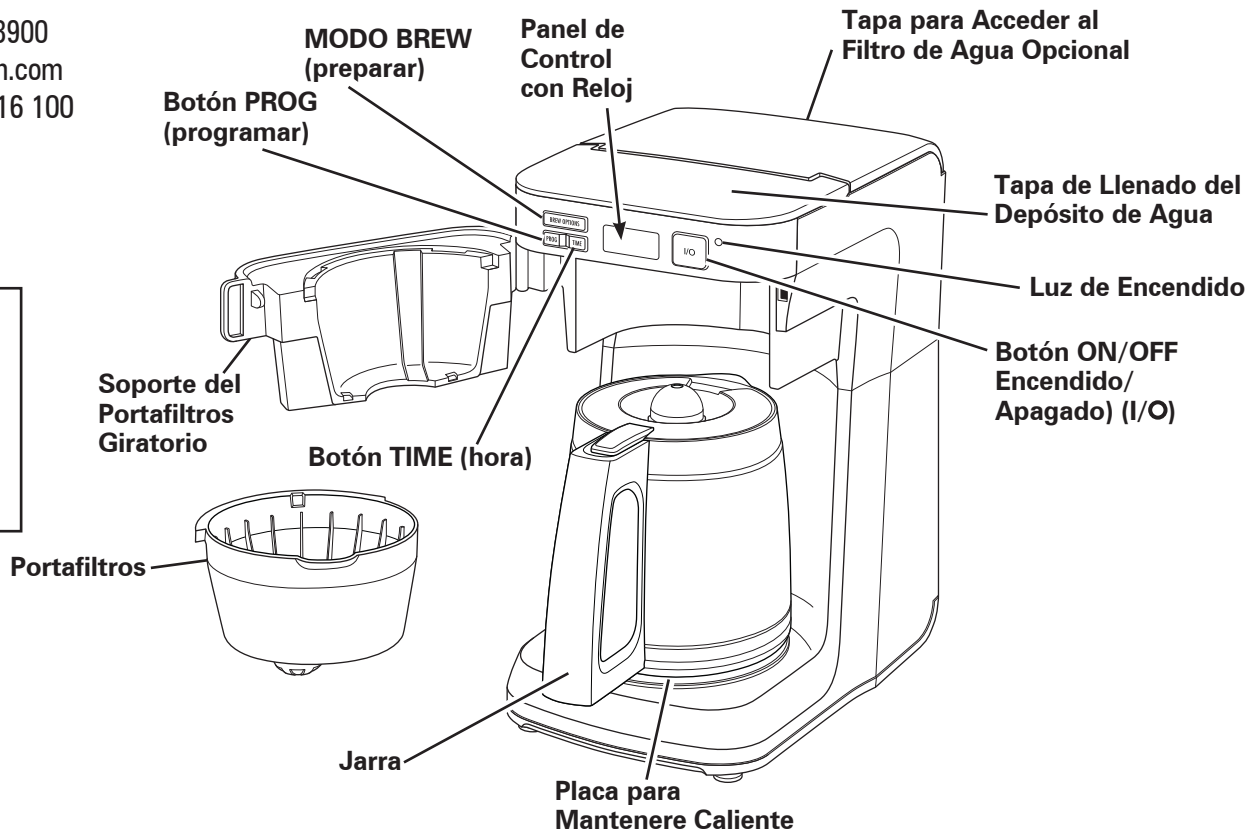
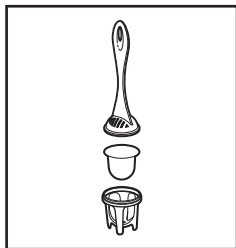
EE. UU.: 1.800.851.8900

www.hamiltonbeach.com

México: 01 800 71 16 100

ANTES DEL PRIMER USO: Lave todas las piezas desmontables en agua caliente jabonosa. Enjuague y seque. Prepare un ciclo con agua y descarte el agua.

Filtro de Agua en option



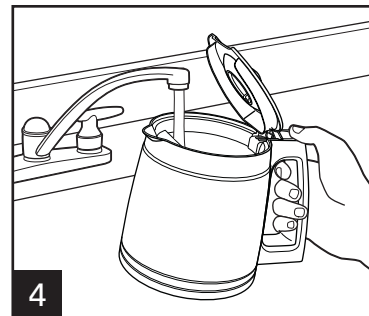
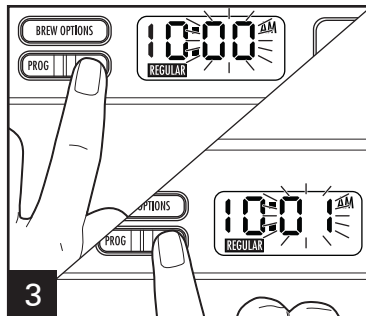
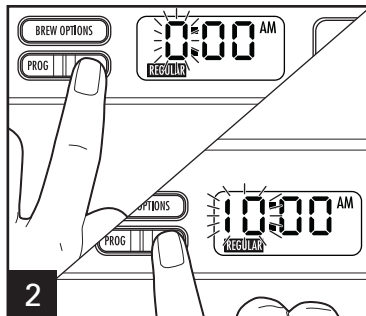
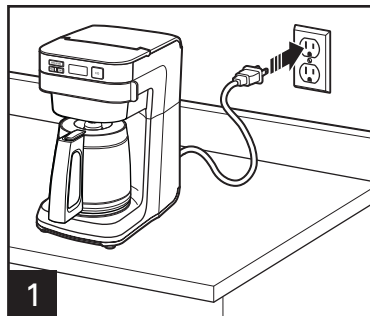
Cómo Preparar Café

⚠ **ADVERTENCIA Peligro de Quemarse.**

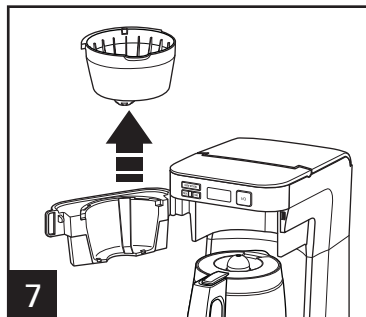
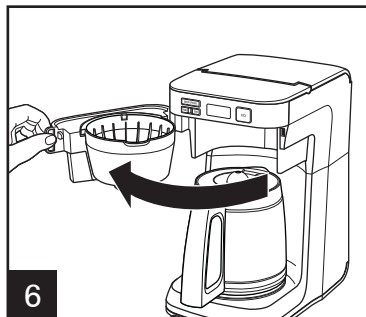
Para evitar que el café caliente se desborde de la canastilla de filtro:

- Cuando use café descafeinado, no exceda la cantidad de porción recomendada por el fabricante de café.
- Verifique que el portafiltros giratorio esté completamente cerrado.

Si ocurre un desborde de la canastilla de filtro, desconecte la cafetera y deje que el café en la canastilla de filtro se enfríe antes de remover la canastilla de filtro.



Presione y libere el botón **TIME** (hora). En la pantalla destellará la hora. Presione y luego toque repetidamente el botón **TIME** para configurar la hora actual en AM o PM. Espere 3 segundos; los minutos destellarán. Presione y luego toque repetidamente el botón **TIME** para incrementar los minutos actuales. La hora configurada permanecerá en forma constante.



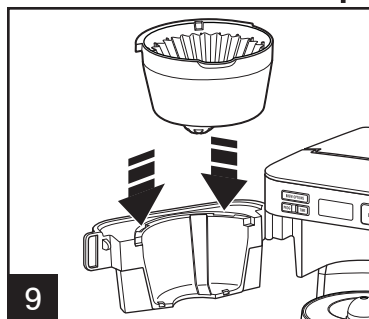
Levante la tapa de llenado del depósito de agua para agregar agua.
26

Por cada taza de café que prepare, coloque una cucharada de café molido en el filtro. También puede utilizarse un filtro permanente con el portafiltros.

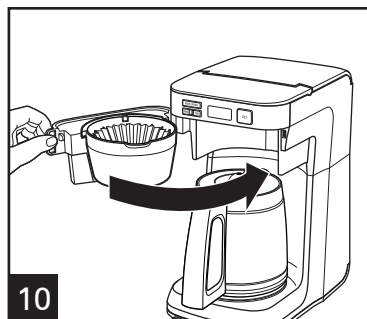
Portafiltros con Filtro de Papel para 8-12 Tazas

Cómo Preparar Café (cont.)

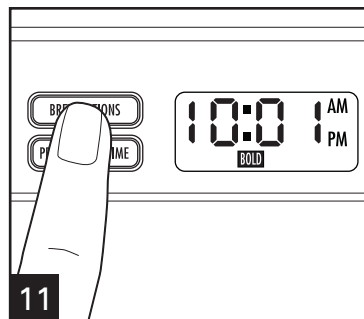
⚠ ADVERTENCIA Peligro de Descarga.
No sumerja el cable, enchufe o cafetera en ningún líquido.



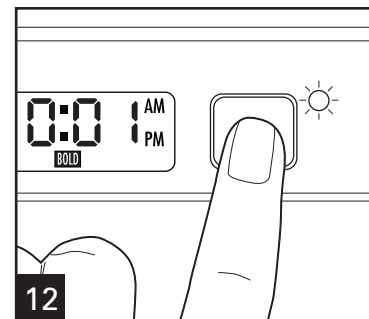
9
Coloque las lengüetas de la canasta de preparación en las ranuras del soporte del portafiltro.



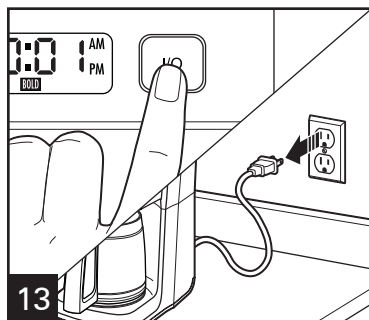
10
Cierre el soporte del portafiltros giratorio antes de la preparación y no lo abra hasta que haya finalizado el ciclo de preparación y la unidad esté fría.



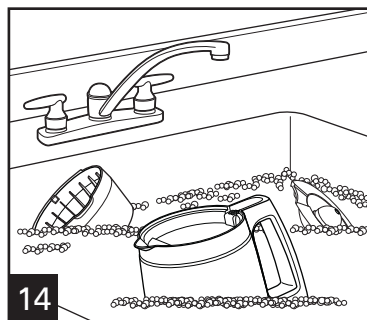
11
Seleccione la opción de preparación. (Ver "Cómo usar las opciones de preparación").



12
Presione una vez el botón de I/O (ENCENDIDO/APAGADO) para encender la cafetera. La luz de encendido se activará.



13
Cuando haya terminado, presione una vez el botón I/O (ENCENDIDO/APAGADO) y desenchufe. **NOTA:** Si la cafetera no se apaga en forma manual, ésta se apagará automáticamente en 2 horas y también lo hará la luz de encendido. Lave en agua tibia jabonosa. Enjuague y seque.



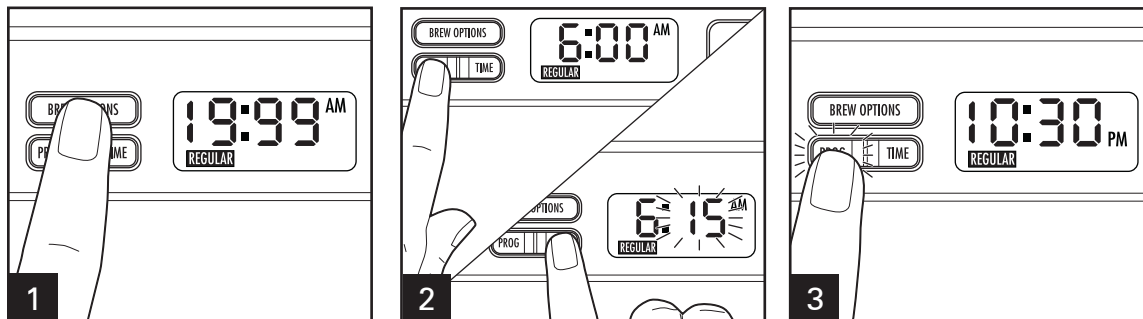
14



RESISTENTE AL LAVAVAJILLAS (la canasta superior)
Sóloamente lavado y secado apto para lavavajillas en el ESTANTE SUPERIOR.

Para Programar la Preparación Automática

NOTA: La luz LED blanca se iluminará para indicar que se ha activado PROGRAM (programar). La luz LED blanca se apagará cuando la unidad comienza la preparación a la hora pre-programada.



Elija una opción de preparación. Luego, sostenga el botón **PROG**. Luego, presione y toque repetidamente el botón **TIME** para configurar la hora de preparación deseada en AM o PM. Espere 3 segundos; los minutos destellarán. Luego presione y toque repetidamente el botón **TIME** incrementar los minutos actuales. La hora configurada permanecerá en forma constante. Libere **PROG** y se visualizará la hora actual.

Presione y libere **PROG** (programa) de nuevo para activar la preparación automática. La luz **PROG** se iluminará.

Consejos para Lograr un Café más Rico

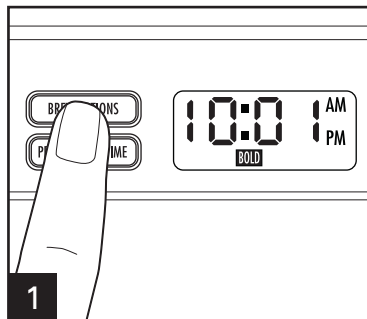
- Todos los cafés están hechos de granos de arábica o robusta, o de una combinación de ambos. Los granos de arábica son un poco más caros pero tienden a producir un café de mejor sabor.
- El café molido se pone rancio más rápido que los granos enteros. Si compra café premolido, elija un paquete con la fecha de vencimiento más alejada o de menor cantidad.
- Si va a moler granos enteros, configure su molino de café en un molido fino/mediano. Esto genera el café molido de mejor sabor. Trate de utilizar el café recién molido dentro de la semana de molido.
- Usar un filtro de agua, agua filtrada o agua mineral genera un café más rico que usar agua de grifo.
- Utilice aproximadamente 1 cucharada de café molido por cada taza de café a preparar. Para evitar los desbordes, utilice 1/3 menos de café cuando prepare cafés descafeinados o saborizados.
- Asegúrese de que su cafetera esté limpia. Ver la sección "Cuidado y Limpieza".

Cómo Utilizar las Opciones de Preparación y la Notificación de Limpieza

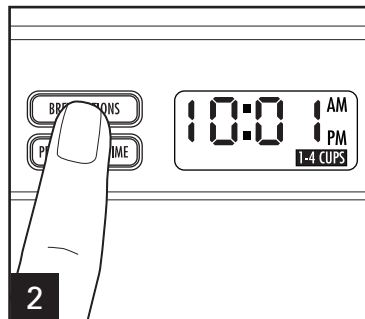
OPCIONES DE PREPARACIÓN

Su cafetera está predeterminada en el ajuste de para un café con concentración "Regular".

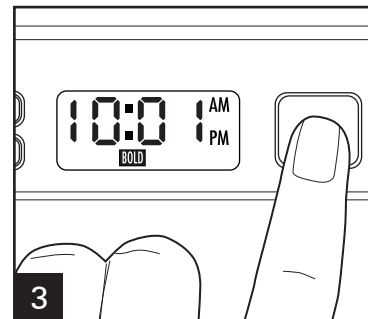
NOTA: Usando la opción de concentración de preparación incrementará el tiempo de preparación ligeramente.



1 Para un café más intenso, presione el botón **BREW OPTIONS** (opciones de preparación) hasta que se ilumine "BOLD" (intenso).



2 Para cantidades pequeñas, use la configuración 1-4 tazas presionando el botón **BREW OPTIONS** (opciones de preparación) hasta que se ilumine "1-4 CUPS" (1-4 tazas).



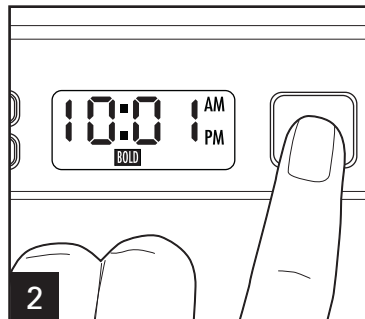
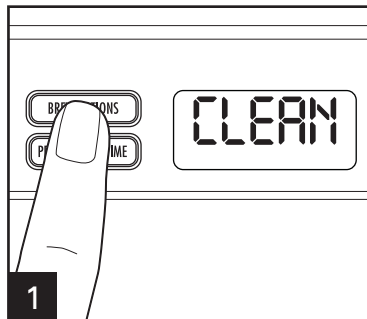
3 Luego, presione el botón **I/O** (ENCENDIDO/APAGADO) o configure la Preparación Automática para iniciar la cafetera después de haber seleccionado la opción de preparación.

NOTIFICACIÓN DE LIMPIEZA

Si la unidad está siempre enchufada, aparecerá "CLEAN" (limpieza) en la pantalla después de 30 ciclos. Siga las instrucciones de "Cuidado y Limpieza".

NOTAS:

- Al realizar el procedimiento de limpieza desaparecerá la notificación de la pantalla.
- El contador de ciclos de preparación se reconfigura cada vez que se desenchufa la cafetera.

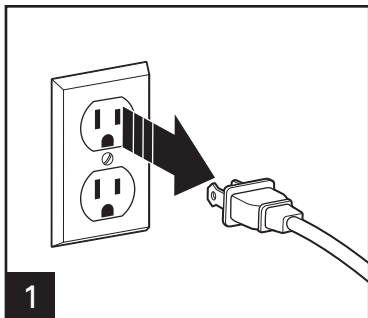


Si usted no desea realizar el procedimiento de limpieza, presione el botón **I/O** (ENCENDIDO/APAGADO) dos veces para borrar la pantalla.

Cuidado y Limpieza

⚠ ADVERTENCIA Peligro de Descarga.
No sumerja el cable, enchufe o cafetera en ningún líquido.

Todas las cafeteras se deberán limpiar por lo menos una vez por mes (una vez por semana las áreas con agua dura).



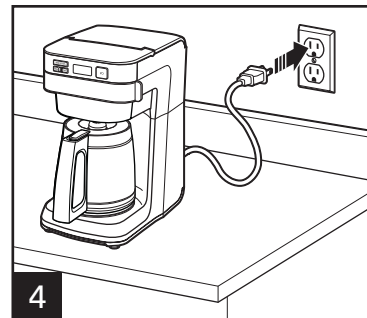
1



2

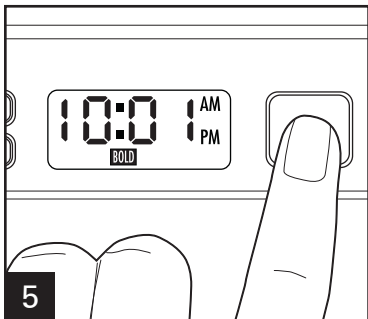


3

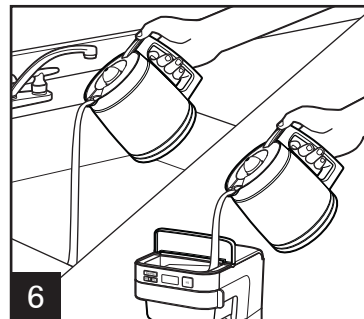


4

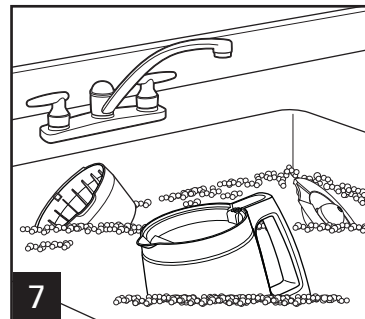
Desenchufe la cafetera (esto reconfigura el contador de preparación de la notificación de modo de limpieza). Limpie la cafetera con un paño húmedo o esponja. Seque. Quite el filtro de agua y la base del filtro de agua (ver "Cómo Reemplazar el Filtro de Agua"). Coloque un mínimo de 1 pinta (2 tazas/473 ml) de vinagre blanco en el depósito de agua.



5



6



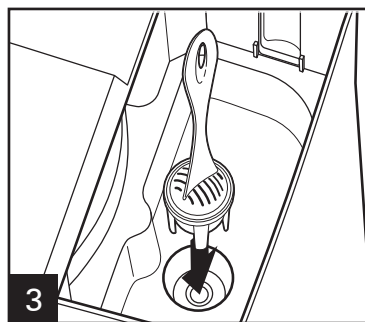
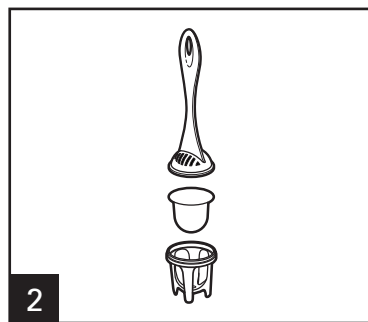
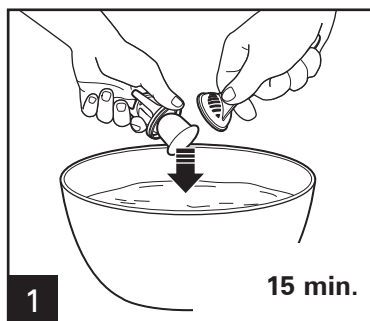
7



**RESISTENTE AL
LAVAVAJILLAS
(la canasta superior)**

Oprima el botón de I/O (ENCENDIDO/APAGADO). Después de 30 segundos, apague. Espere 30 minutos para dejar que el vinagre limpie. Después encienda de nuevo. Cuando el ciclo de preparación termine, espere a que la unidad se enfríe. Vacíe la jarra y enjuague. Haga funcionar durante 2-3 ciclos sólo con AGUA LIMPIA. Deje enfriar entre ciclos.

Cómo Reemplazar el Filtro de Agua (accesorio opcional)



Para lograr un café de mejor sabor, use un filtro de agua. Se recomienda un cambio de filtro cada 60 ciclos.

Para ordenar partes:
EE. UU.: 1.800.851.8900
www.hamiltonbeach.com
México: 01 800 71 16 100

Precauciones de Seguridad de la Jarra

- Nunca use una jarra rajada o una cuya agarradera esté floja o débil.
- Esta jarra está diseñada para usarse solo sobre la placa que mantiene caliente el café de su cafetera. No la use encima de una estufa eléctrica o de gas o en el interior de un horno de microondas o un horno convencional.
- Para evitar rupturas, maneje la jarra cuidadosamente. Evite los impactos. El vidrio se romperá como resultado de un impacto. Tenga cuidado al llenar la jarra con agua para evitar golpearla con el grifo.
- Nunca deposite la jarra caliente sobre una superficie húmeda o fría. Permita que se enfríe antes de lavarla o de agregarle algún líquido.
- Nunca deposite la jarra vacía encima de una superficie de calentamiento que esté caliente.
- No la limpie con estropajos de fibra metálica, limpiadores abrasivos o cualquier otro material que pudiese rayarla.
- No coloque las manos dentro de la jarra. Cuando la esté manipulando, tenga cuidado si usa joyas en sus manos, particularmente anillos de diamantes. Las joyas pueden rayar el vidrio, lo que aumenta la posibilidad de que se rompa.
- No la golpee, raye ni permita que se sobrecaliente en seco.
- Si es que la jarra está rajada, rayada o se mantuvo caliente estando vacía por un período prolongado de tiempo, deshágase de ella.
- Para evitar accidentes no vierta líquidos en dirección a las personas.
- Si necesita revolver el contenido de la jarra, use utensilios de madera, plástico o hule solamente. Nunca use utensilios de metal.
- Siga cuidadosamente las instrucciones mencionadas anteriormente para evitar quemaduras serias que pudiesen resultar si es que alguna jarra se rompiera mientras contenga líquidos calientes.



Este símbolo le advierte de un riesgo potencial de lesiones personales si no se leen y siguen estas instrucciones de seguridad.



Este símbolo le recuerda que el vidrio es frágil y que puede romperse resultando en lesiones personales.

Resolviendo Problemas

PROBLEMA

El portafiltros se desborda o la preparación del café es muy lenta.

CAUSA PROBABLE/SOLUCIÓN

- Se recomienda la opción de preparación "BOLD" o de 1–4 tazas para preparar café descafeinado.
 - Cantidad de café en exceso.
 - El grano del café es muy fino (no es grano para goteo automático).
 - No se ha colocado la jarra firmemente en su lugar sobre la placa para mantener caliente o el soporte del portafiltros giratorio no se ha cerrado por completo.
 - La jarra se quitó durante la preparación por más de 20 segundos y no se colocó adecuadamente de regreso en la placa que mantiene caliente el café.
 - La cafetera necesita limpiarse.
 - Hay granos de café entre el filtro de papel y el portafiltros.
 - El filtro de papel no está abierto ni en la posición apropiada.
 - Presione los bordes cosidos del filtro de papel antes de colocarlo en la canasta.
 - Enjuague el portafiltros antes de insertar el filtro de papel para que los bordes permanezcan presionados contra los lados de la canasta.
 - El filtro de papel es de baja calidad.
-
- El depósito de agua está vacío.
 - La unidad está desenchufada.
 - Corte de corriente.
 - Subida de voltaje. Desenchufe, luego enchufe la unidad de nuevo.
 - El reloj necesita ser reajustado después de un corte de corriente.

No está en marcha la preparación del café/la unidad no enciende.

Notas

Notas

GARANTÍA PARA PRODUCTOS COMPRADOS EN MÉXICO

PRODUCTO:	MARCA:	MODELO:
-----------	--------	---------

Grupo HB PS, S.A. de C.V. cuenta con una Red de Centros de Servicio Autorizada, por favor consulte en la lista anexa el nombre y dirección de los establecimientos en la República Mexicana en donde usted podrá hacer efectiva la garantía, obtener partes, componentes, consumibles y accesorios; así como también obtener servicio para productos fuera de garantía. Para mayor información llame sin costo: **Centro de Atención al consumidor: 01 800 71 16 100**

Grupo HB PS, S.A. de C.V. le otorga a partir de la fecha de compra:
GARANTÍA DE 1 AÑO.

COBERTURA

- Esta garantía ampara, todas las piezas y componentes del producto que resulten con defecto de fabricación incluyendo la mano de obra.
- Grupo HB PS, S.A. de C.V. se obliga a reemplazar, reparar o reponer, cualquier pieza o componente defectuoso; proporcionar la mano de obra necesaria para su diagnóstico y reparación, todo lo anterior sin costo adicional para el consumidor.
- Esta garantía incluye los gastos de transportación del producto que deriven de su cumplimiento dentro de su red de servicio.

LIMITACIONES

- Esta garantía no ampara el reemplazo de piezas deterioradas por uso o por desgaste normal, como son: cuchillas, vasos, jarras, filtros, etc.
- Grupo HB PS, S.A. de C.V. no se hace responsable por los accidentes producidos a consecuencia de una instalación eléctrica defectuosa, ausencia de toma de tierra, clavija de enchufe en mal estado, etc.

EXCEPCIONES

Esta garantía no será efectiva en los siguientes casos:

- a) Cuando el producto se hubiese utilizado en condiciones distintas a las normales. (Uso industrial, semi-industrial o comercial.)
- b) Cuando el producto no hubiese sido operado de acuerdo con el instructivo de uso.
- c) Cuando el producto hubiese sido alterado o reparado por personas no autorizadas por Grupo HB PS, S.A. de C.V. el fabricante nacional, importador o comercializador responsable respectivo.

El consumidor puede solicitar que se haga efectiva la garantía ante la propia casa comercial donde adquirió su producto, siempre y cuando Grupo HB PS, S.A. de C.V. no cuente con talleres de servicio.

PROCEDIMIENTO PARA HACER EFECTIVA LA GARANTÍA

- Para hacer efectiva la garantía, lleve su aparato al Centro de Servicio Autorizado más cercano a su domicilio (consulte la lista anexa).
- Si no existe Centro de Servicio Autorizado en su localidad llame a nuestro Centro de Atención al Consumidor para recibir instrucciones de como hacer efectiva su garantía.

FECHA DE ENTREGA	SELLO DEL VENDEDOR	QUEJAS Y SUGERENCIAS
DÍA__ MES__ AÑO__		Si desea hacer comentarios o sugerencias con respecto a nuestro servicio o tiene alguna queja derivada de la atención recibida en alguno de nuestros Centros de Servicio Autorizados, por favor dirigirse a: GERENCIA INTERNACIONAL DE SERVICIO 01 800 71 16 100 Email: mexico.service@hamiltonbeach.com.mx

CENTROS DE SERVICIO AUTORIZADOS

Ciudad de México

ELECTRODOMÉSTICOS
Av. Plutarco Elías Calles No. 1499
Zacahuiztco, Ciudad de México, C.P. 09490
Tel: 01 55 5235 2323

CASA GARCÍA
Av. Patriotismo No. 875-B
Mixcoac, Ciudad de México, C.P. 03910
Tel: 01 55 5563 8723

Nuevo León

FERNANDO SEPÚLVEDA REFACCIONES
Ruperto Martínez No. 238 Ote.
Centro MONTERREY, 64000 N.L.
Tel: 01 81 8343 6700

Jalisco

SERVICIOS DE MANTENIMIENTO CASTILLO
Garibaldi No. 1450
Ladrón de Guevara
GUADALAJARA 44660 Jal.
Tel: 01 33 3825 3480

Modelo:
46300, 46301, 46310

Tipo:
A118

Características Eléctricas:
120 V~ 60 Hz 950 W

Los modelos incluidos en el instructivo de Uso y Cuidado pueden ir seguidos o no por un sufijo correspondiente a una o varias letras del alfabeto y sus combinaciones, separadas o no por un espacio, coma, diagonal, o guión. Como ejemplos los sufijos pueden ser: "Y" y/o "MX" y/o "MXY" y/o "Z".