

READ BEFORE USE

使用前阅读

Visit www.hamiltonbeach.cn for our complete line of products and Use and Care Guides – as well as delicious recipes, tips, and to register your product online!

有关我们所有系列产品的使用与维护指南 – 以及美味食谱、生活小贴士和产品在线注册的更多信息，请访问 www.hamiltonbeach.cn。

Questions?

Please call us – our friendly associates are ready to help.

China: 400-852-2655

如有疑问？

请致电我们，我们的团队随时准备为您提供帮助。

中国大陆客服热线

400-852-2655

官方网站：www.hamiltonbeach.cn

型号：22702-CN

此说明书中图片仅供参考，产品以实物为准。

使用本设备前，我们建议您仔细阅读这些说明。

Hamilton 汉美驰 Beach®



Toaster 多士炉

English2

简体中文8

WARNING



To reduce the risk of fire:

- Do not operate while unattended.
- Do not use with food that has been spread with butter, jelly, frosting, etc.
- Do not use with rice cakes, fried foods, frozen prepared foods, or nonbread items.
- Do not use with toaster pastries. Always cook toaster pastries in a toaster oven broiler.
- Do not cover or use near curtains, walls, cabinets, paper or plastic products, cloth towels, etc.
- Closely supervise when used by or near children.
- Always unplug toaster when not in use.

Failure to follow these instructions can result in death or fire.

IMPORTANT SAFEGUARDS

When using electrical appliances, basic safety precautions should always be followed to reduce the risk of fire, electric shock, and/or injury to persons, including the following:

1. Read all instructions.
2. This appliance is not intended for use by persons (including children) with reduced physical, sensory, or mental capabilities, or lack of experience and knowledge, unless they are closely supervised and instructed concerning use of the appliance by a person responsible for their safety.
3. Close supervision is necessary when any appliance is used by or near children. Children should be supervised to ensure that they do not play with the appliance.
4. Do not operate toaster while unattended.
5. Do not attempt to dislodge food when toaster is plugged in.
6. To protect against electrical shock, do not immerse cord, plug, or toaster in water or other liquid.
7. Unplug from socket when not in use and before cleaning. Allow to cool before putting on or taking off parts, or moving toaster.
8. Do not operate any appliance with a damaged supply cord or plug, or after the appliance malfunctions or has been dropped or damaged in any manner. Supply cord replacement and repairs must be conducted by the manufacturer, its service agent, or similarly qualified persons in order to avoid a hazard. Call the provided customer service number for information on examination, repair, or adjustment.
9. Oversized foods, metal foil packages, or utensils must not be inserted in a toaster as they may involve a risk of fire or electric shock.
10. Do not clean with metal scouring pads. Pieces can break off pad and touch electrical parts resulting in risk of electrical shock.
11. The bread may burn; therefore, do not use the toaster near or below combustible materials such as curtains.

12. A fire may occur if toaster is covered or touching flammable material, including curtains, draperies, walls, overhead cabinets, paper or plastic products, cloth towels, and the like, when in operation.
13. Do not operate toaster in an enclosed space, such as an appliance cabinet, caddy, garage, or other storage area.
14. Do not cook, warm, or toast rice cakes, fried foods, nonbread items, or toaster pastries. Toaster pastries should be heated in a toaster oven broiler. Do not heat any food product that has been spread or iced with margarine, butter, jelly, frosting, syrup, or other spread.
15. Failure to clean crumb tray may result in a fire hazard.
16. Do not place on or near a hot gas or electric burner or in a heated oven.
17. Do not touch hot surfaces. Use handles or knobs.
18. The use of accessory attachments not recommended by the appliance manufacturer may cause injuries.
19. Do not let cord hang over edge of table or counter or touch hot surfaces, including the stove.
20. Before unplugging toaster, make sure bread lifter is in "up" position.
21. Do not use outdoors.
22. Do not use toaster for other than intended use.
23. This appliance is intended to be used in household and similar applications such as (1) staff kitchen areas in shops, offices, and other working environments, (2) farm houses, (3) by clients in hotels, motels, and other residential-type environments, or (4) bed and breakfast-type environments.
24. Appliance is not intended to be operated by means of an external timer or separate remote-control system.

SAVE THESE INSTRUCTIONS!

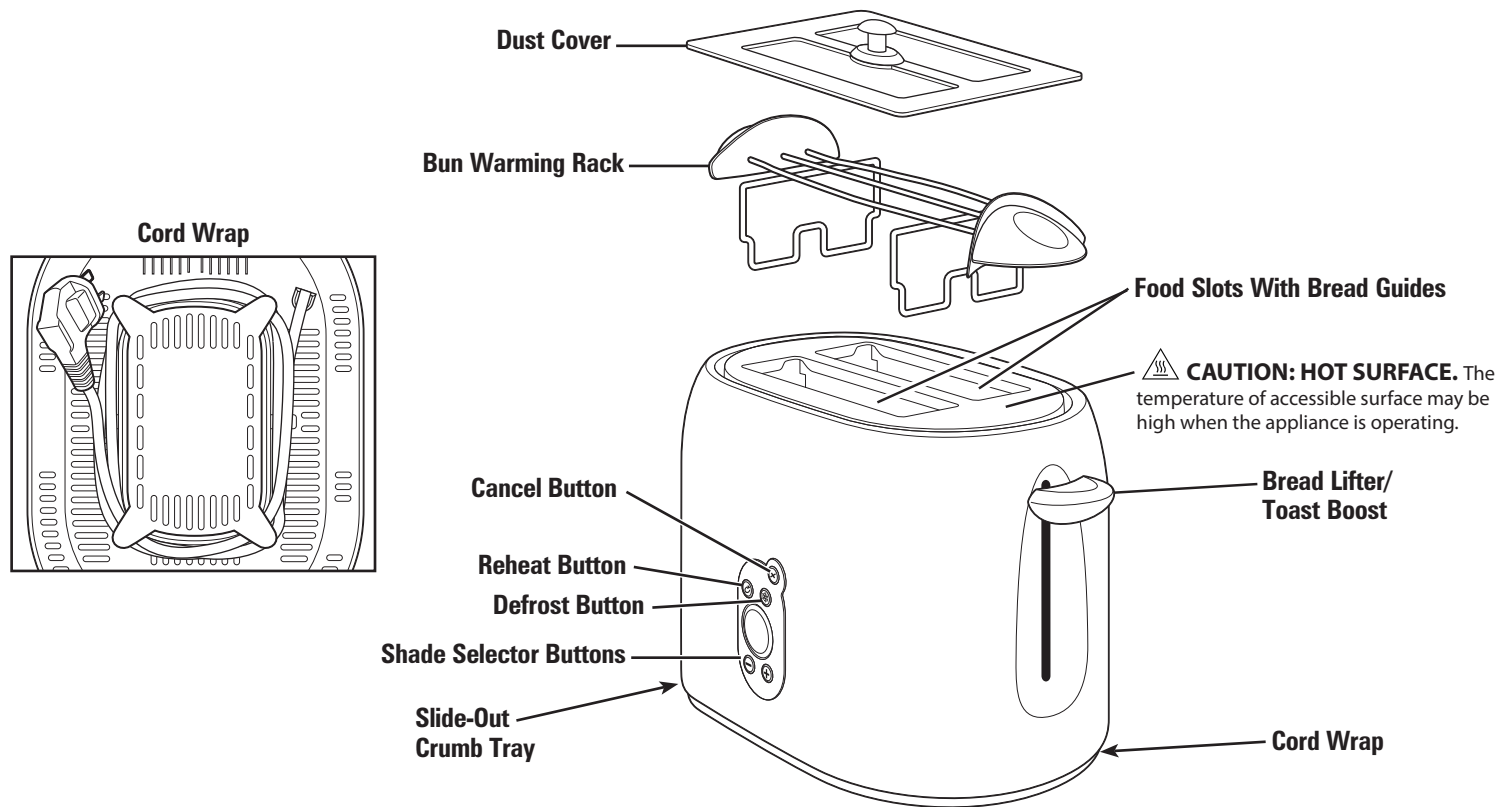
Other Consumer Safety Information

The length of the cord used on this appliance was selected to reduce the hazards of becoming tangled in or tripping over a longer cord. If a longer cord is necessary, an approved extension cord may be used. The electrical rating of the extension cord must be equal to or greater than the rating of the appliance. Care must be taken to arrange the extension cord so that it will not drape over the countertop or tabletop where it can be pulled on by children or accidentally tripped over.

To avoid an electrical circuit overload, do not use another high-wattage appliance on the same circuit with this appliance.

Parts and Features

BEFORE FIRST USE: Wash removable parts in hot, soapy water. Rinse and dry.

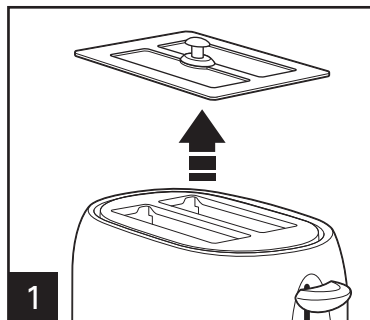


How to Use Your Toaster

⚠ WARNING Fire Hazard.

Do not operate toaster unattended. Unplug after use.

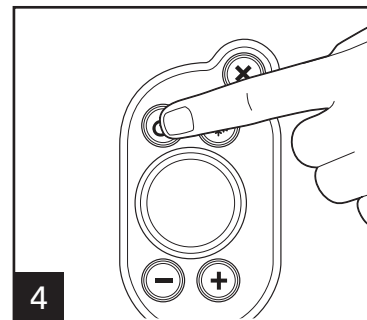
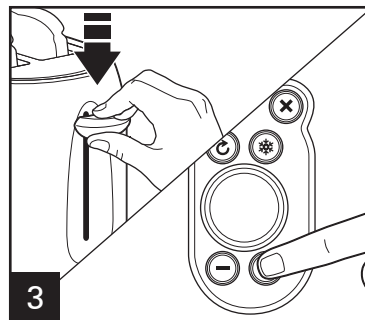
NOTE: Bread lifter will not latch down unless toaster is plugged in.



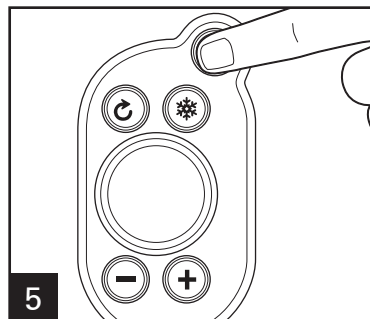
1
⚠ WARNING Fire Hazard.
Remove dust cover during use.



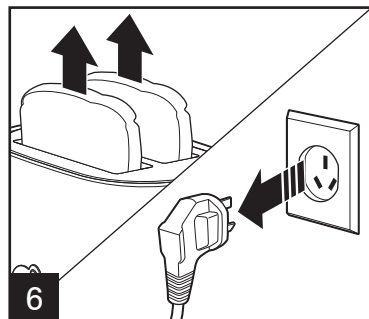
2
Plug into socket. Push bread lifter down to energize toaster and illuminate display. Press - or + to adjust toast shade.



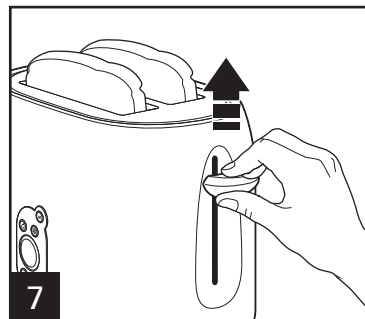
3
4
Select programming button after the bread lifter has been pushed down (if desired).



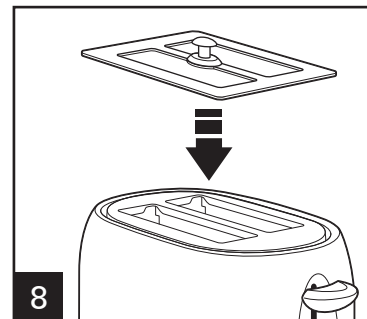
5
To stop the toasting cycle sooner, push the Cancel button.



6
At the end of the toasting cycle, the bread will pop up automatically. Unplug toaster.



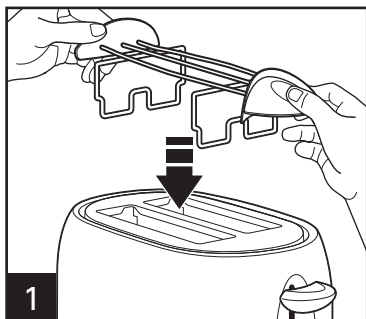
7
TOAST BOOST: After toast cycle ends, raise bread lifter to remove food easily.



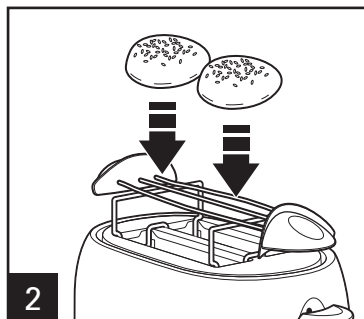
8
Dust cover may be used after toaster is cooled completely.

How to Use Bun Warming Rack

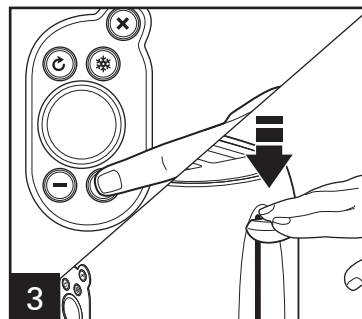
⚠️WARNING Burn Hazard.
Always remove warming rack when using the toaster slots.



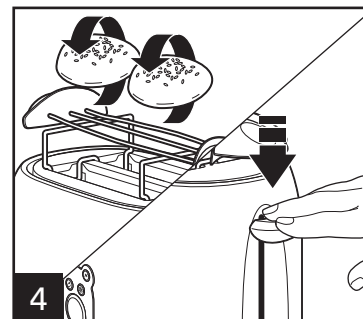
1
Place bun warming rack onto food slots.
⚠️WARNING Fire Hazard.
Never use a plastic or foil wrap on buns.



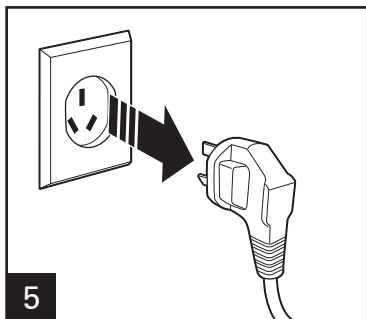
2
Place up to 2 buns on warming rack.
⚠️WARNING Fire Hazard.
Never completely cover the warming rack.



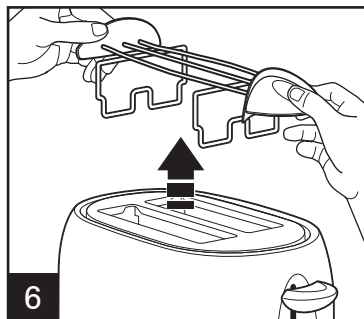
3
Press shade selector button to select setting 1-9. Push down bread lifter.



4
After toast cycle is complete or CANCEL has been pressed, turn buns over and press down bread lifter to warm other side.



5
Unplug toaster.



6
Remove rack after toaster is cooled completely.

Tips and Troubleshooting

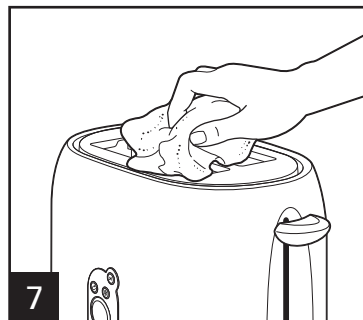
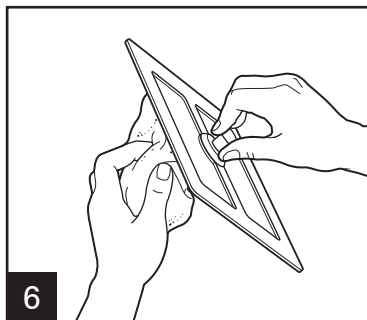
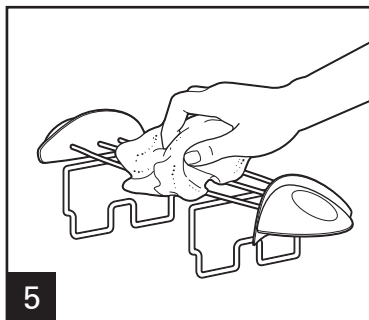
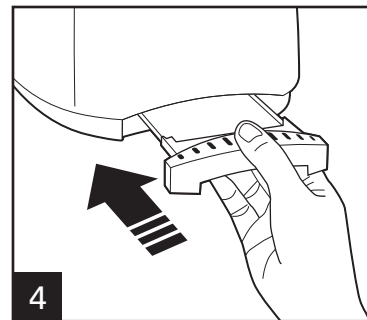
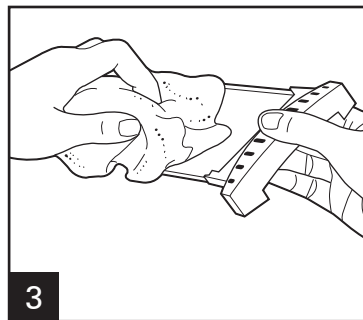
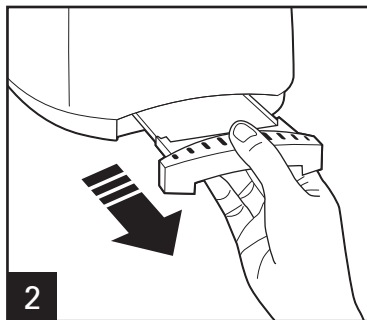
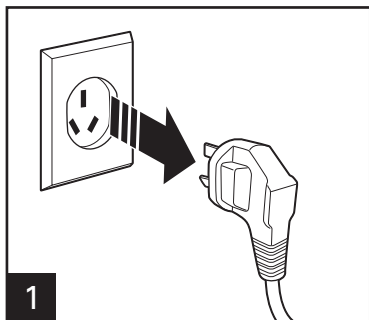
- Toasting is affected by the temperature of the bread. Room-temperature bread may toast to a medium color on the 5 setting. The same type of bread that has been refrigerated may require a darker setting to reach a medium color.
- The moisture and sugar content will also affect toasting. A second, shorter toasting cycle may be needed to reach desired brownness.
- When toasting only one slice, the bread may be placed in any slot of the toaster. When toasting a single slice, you may notice variations in bread color from side to side.

Care and Cleaning

⚠ WARNING Electrical Shock Hazard.

Do not clean with metal scouring pads. Pieces can break off pad and touch electrical parts, causing a risk of electric shock.

Your toaster should be cleaned regularly for best performance and long life. Regular cleaning will also reduce the risk of fire hazard.



To remove food that becomes lodged in food slots, unplug from socket and allow toaster to cool. Turn toaster upside down and shake. Do not use fork or other utensil that could damage heating element or result in risk of fire or electrical shock.

警告



为了减少火灾风险：

- 请勿在无人看护时使用。
- 请勿用于烘烤涂有黄油、果酱、调料等的食物。
- 请勿用于烘烤米糕、油炸食物、冷冻食物或非面包类食物。
- 请勿用于烘烤油酥糕点。务必在烤箱烘烤机中烘烤油酥糕点。
- 请勿在窗帘、壁纸、橱柜、纸或塑料制品、毛巾布等附近使用或被此类物品覆盖。
- 当儿童使用或附近有儿童时，请密切看护。
- 未使用时，务必拔下多士炉电源插头。

不遵守这些说明会导致死亡或火灾。

重要安全说明

当使用电器时，应始终遵守基本的安全防范措施，以减少火灾、触电和/或人身伤害的风险，包括以下内容：

1. 阅读所有相关说明。
2. 本电器不适合以下人群（包括儿童）使用：行动不便者、精神或智商缺陷者、缺少经验和常识者，除非他们在监督和指导下使用，以确保安全。
3. 当电器在距离儿童较近时使用，需有成人看护。请勿将本电器用于儿童玩耍。
4. 请勿在无人看护时使用多士炉。
5. 请勿在多士炉通电时尝试取出食物。
6. 为防止触电，请勿将电源线、插头或多士炉放入水或其他液体中。
7. 不使用与清洁前，请拔下电源插头。应在冷却后再安装、拆解部件或移动多士炉。
8. 在下列情况下，请勿使用本电器：电源线或插头破损、多士炉出现故障、多士炉跌落或已经出现任何形式的损坏。如果电源软线损坏，为了避免危险，必须由制造商、其维修部或类似部门的专业人员更换。请拨打我们的客服电话，咨询有关电器检查、修理或调整的相关信息。
9. 严禁将超规格的食物、金属箔包装或器具放入多士炉中，因为会带来火灾和触电的风险。
10. 请勿使用金属清洁球清洁本电器。金属清洁球可能会损坏并可能接触到带电部件，有电击的危险。
11. 面包可能会燃烧，因此在可燃性材料（如：窗帘）附近或下方请勿使用多士炉。

12. 多士炉工作状态中被易燃物覆盖或接触到易燃物（如：窗帘、装饰织物、壁纸、吊柜、纸或塑料制品、毛巾布等）容易引起火灾。
13. 请勿在密闭空间里（如：橱柜、车厢、车库或其它仓储区）使用多士炉。
14. 请勿用于烹饪、加热或烘烤米糕、油炸食物、非面包类食物或油酥糕点。油酥糕点应该在烤箱烘烤机中加热。请勿加热任何涂有人造黄油、黄油、糖霜、糖浆等调料的食品。
15. 不清理集屑盘容易导致火灾。
16. 请勿将本电器置于燃气、电炉、热烤箱上面或附近。
17. 请勿接触发热表面。请使用把手或者旋钮。
18. 使用非本电器制造商推荐的配套附件可能会导致受伤。
19. 请勿将电源线搭置在桌台边缘上以及与发热表面接触，包括加热器。
20. 拔掉电源前请确保升降开关位于顶端。
21. 请勿户外使用。
22. 请勿将多士炉用于非预期用途。
23. 本电器预定用于家用及类似应用场合，例如：（1）办公室、商铺及其它工作环境的员工厨房区；（2）农舍；（3）酒店、汽车旅馆和其它居住型环境的旅客使用；或（4）住宿早餐型环境场合。
24. 本电器不可通过外接定时器或单独的遥控系统进行操作。

请妥善保管这些说明！

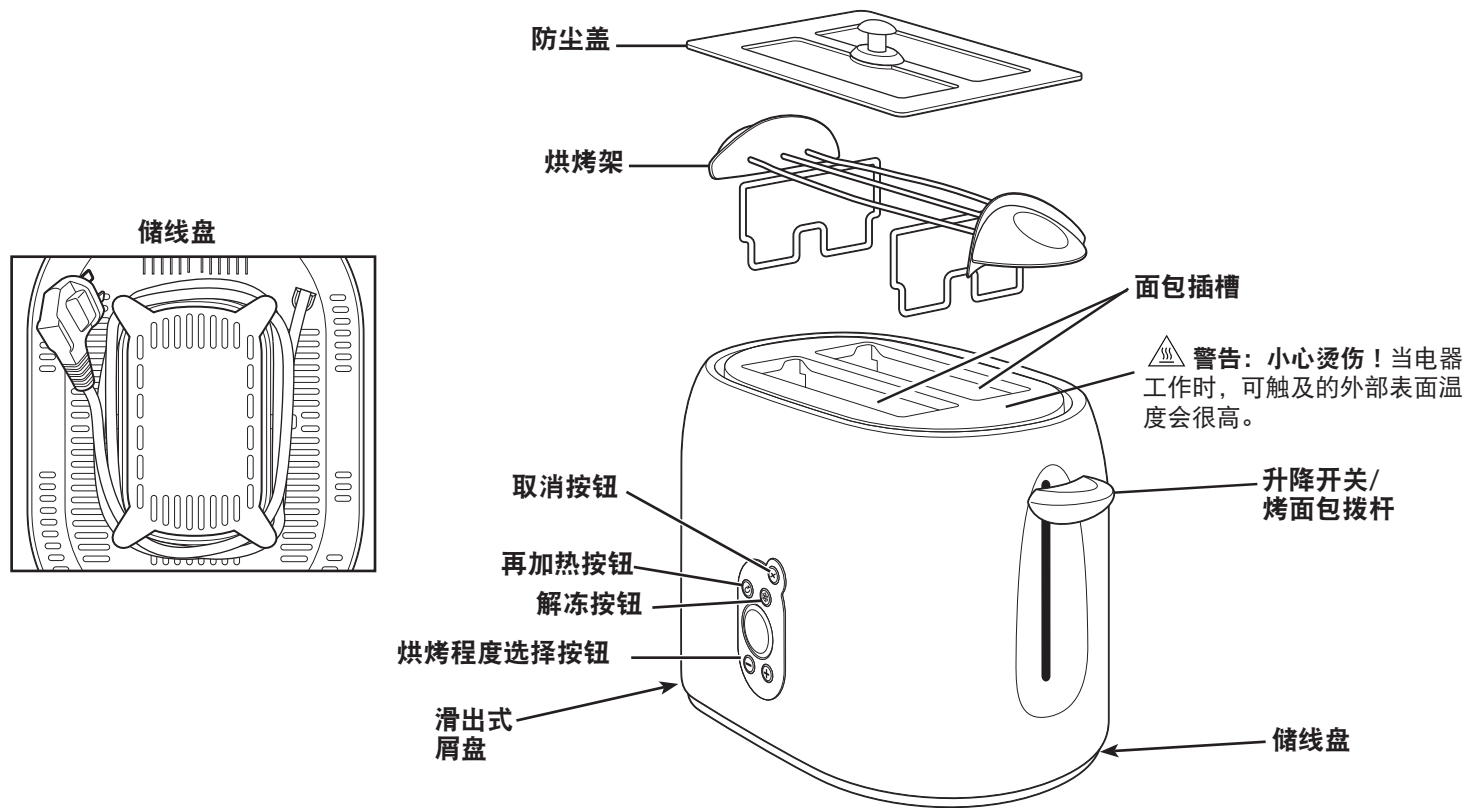
其他用户安全信息

此电器电源线的长度设计考虑减少长电源线缠绕或绊倒的危险。倘若需要更长的电源线，可使用有认证的电源延长线。电源延长线的额定功率必须等于或大于此设备的额定功率。电源延长线使用时需特别注意，以防将其搭设在工作台或桌台上，造成儿童扯拉或绊倒他人。

为防电路过载，请勿在您电器的同一电路上使用其他高功率电器。

部件和功能

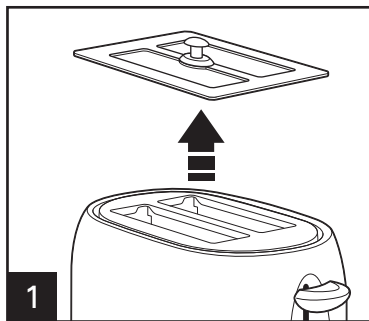
首次使用前：在带清洁剂的温水中清洗所有可拆卸部件。冲洗，然后晾干。



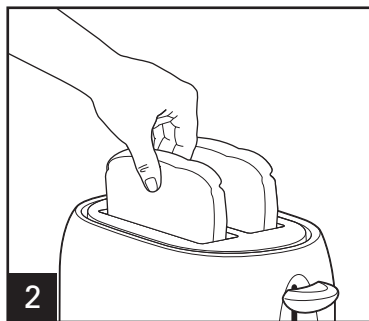
如何使用多士炉

警告 火灾危险。
请勿在无人看护时使用多士炉。使用后拔掉电源。

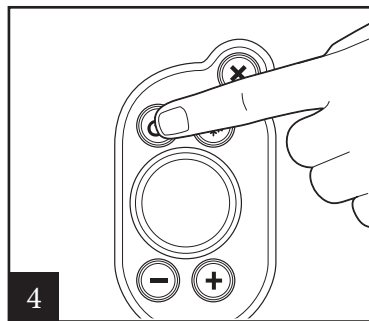
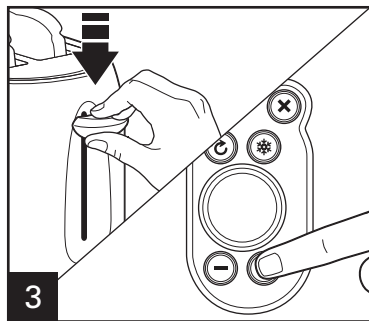
注意：多士炉通电状态下升降开关才会被锁定。



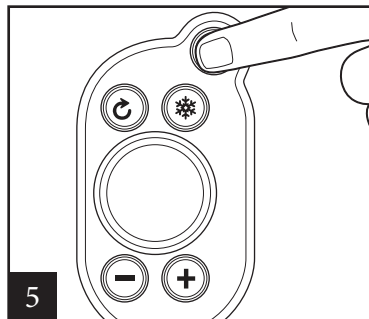
警告 火灾危险。
使用时取下防尘盖。



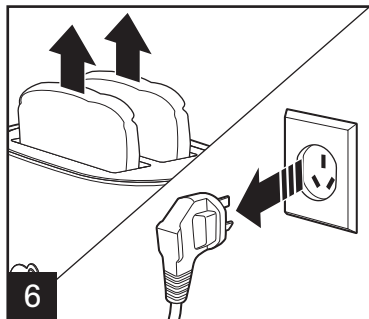
插上插头。按下升降开关启动多士炉并且显示屏也将点亮。按-或+调节烘烤程度。



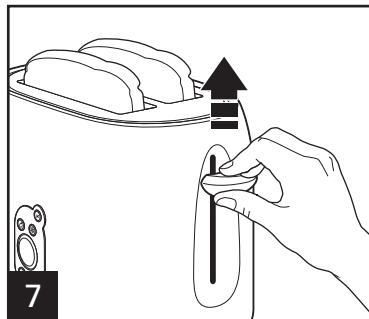
按下升降开关后选择功能按钮（如需要）。



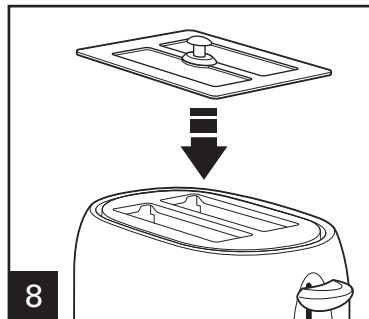
如果要提前停止烘烤程序，按取消按钮即可。



完成烘烤后，面包会自动弹出。拔下多士炉电源插头。



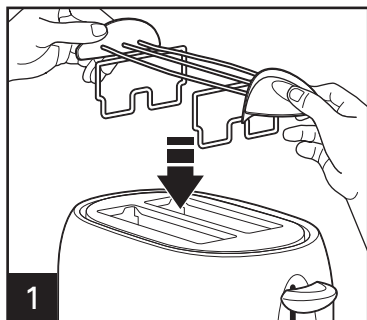
升降开关：烘烤完成后，再上提升降开关可更轻松取出食物。



多士炉完全冷却后，可使用防尘盖盖住防尘。

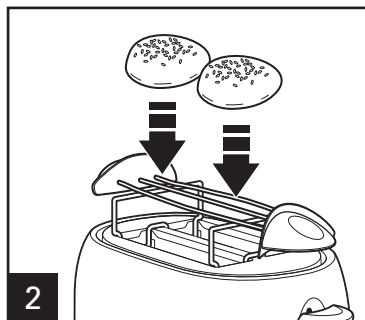
如何使用烘烤架

警告 烫伤危险。
使用面包插槽时务必取下加热架。



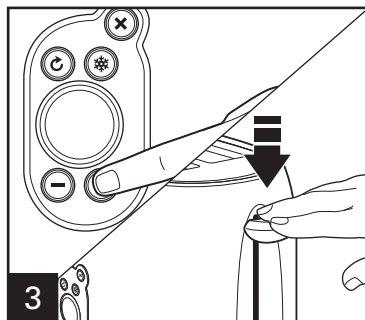
1 将烘烤架放在面包插槽上。

警告 火灾危险。
请勿使用塑料或金属箔纸包裹面包片。

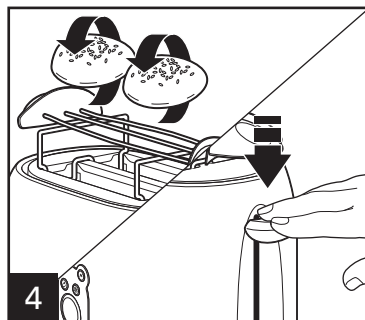


2 烤架上最多放2个小圆面包。

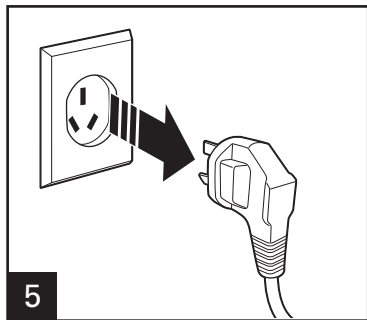
警告 火灾危险。
严禁完全遮盖烤架。



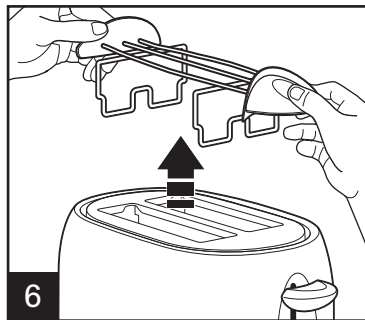
3 按烘烤程度按钮，选择设置1-9档位。按下降升开关。



4 面包烘烤完成后或“取消”按钮被按下时，翻转面包并按下降升开关加热另一面。



5 拔下多士炉电源插头。



6 多士炉完全冷却后，取下烤架。

小贴士与故障排除

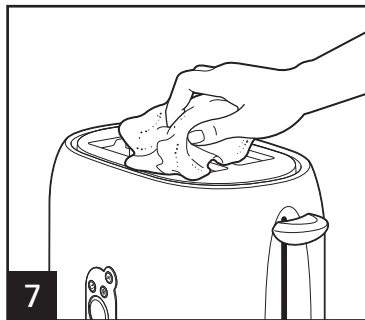
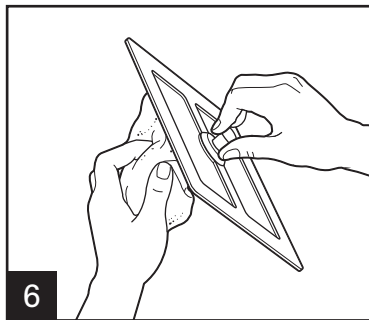
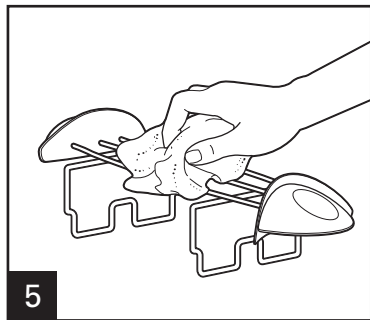
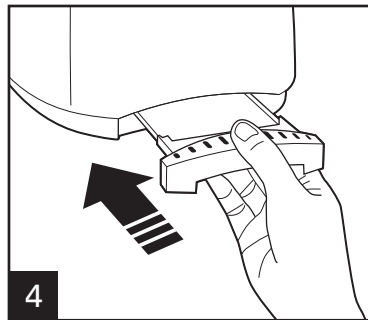
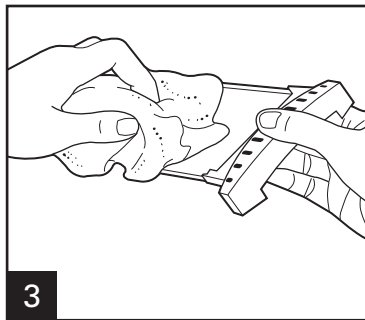
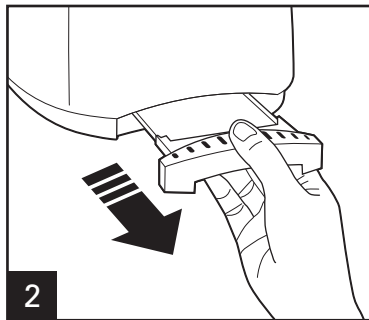
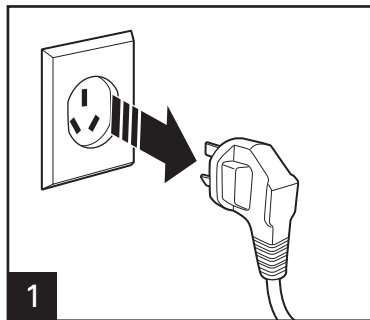
- 烘烤程度受面包温度影响。常温面包烤至中色程度要用5档。同种被冷藏过的面包可能需要更高烘烤程度设置才能达到中色程度。
- 水分和糖含量也会影响烘焙。可能需要再一次短暂的烘烤来达到所需要的颜色。
- 只烤一片面包时可以放在任一个槽中。只烤一片面包时你会发现面包的两面烘烤程度不一样。

护理及清洁

⚠ 警告 电击危险：

请勿使用金属清洁球清洁本电器。金属清洁球可能会损坏并可能接触到带电部件，有电击的危险。

多士炉需定期清洁，以保证最佳性能和使用寿命。定期清洁也将减少火灾危险。



取出卡在面包插槽的食物时，请从插座上拔下电源插头并让多士炉冷却。倒转多士炉并摇晃。勿使用叉子或其他可能导致损坏加热原件或导致火灾或触电的器具。

Model/型号:
22702-CN

Type/类别:
T107

Rating/规格
220 V~ 50 Hz 850 W

Dist.: Hamilton Beach Brands, Inc., Glen Allen, VA 23060
© 2016 Hamilton Beach Brands, Inc.

以上内容如有改动，恕不预先通知



添加官方微博 微信
开启美食人生

840266900