

**READ BEFORE USE  
LIRE AVANT UTILISATION  
LEA ANTES DE USAR**

Visit [www.hamiltonbeach.com](http://www.hamiltonbeach.com) for our complete line of products and Use and Care Guides – as well as delicious recipes, tips, and to register your product online!

Rendez-vous sur [www.hamiltonbeach.ca](http://www.hamiltonbeach.ca) pour notre liste complète de produits et de nos manuels utilisateur – ainsi que nos délicieuses recettes et nos conseils

Visite [www.hamiltonbeach.com](http://www.hamiltonbeach.com) (E.E. UU.) o [www.hamiltonbeach.com.mx](http://www.hamiltonbeach.com.mx) (México) para ver otros productos de Hamilton Beach o para contactarnos

**Questions**

Please call us – our friendly associates are ready to help.  
USA: 1.800.851.8900

**Questions**

N'hésitez pas à nous appeler – nos associés s'empresseront de vous aider.  
CAN : 1.800.267.2826

**Preguntas**

Por favor llámenos – nuestros amables representantes están listos para ayudar.

EE. UU.: 1.800.851.8900

MEX: 01 800 71 16 100

Le invitamos a leer cuidadosamente este instructivo antes de usar su aparato.

# Hamilton Beach®

## Countertop Oven Four à poser Horno para Mostrador



English .....	2
Français.....	16
Español .....	29

## ⚠️ WARNING



### Fire Hazard.

- If contents ignite, do not open oven door. Unplug oven and allow contents to stop burning and cool before opening door.
- Do not operate unattended while in Broil mode.
- Do not use with oven cooking bags.
- Do not heat taco shells in toaster oven. Always use full-size conventional oven.
- Always allow at least one inch between food and heating element.
- Always unplug oven when not in use.
- Regular cleaning reduces risk of fire hazard.

## IMPORTANT SAFEGUARDS

When using electrical appliances, basic safety precautions should always be followed to reduce the risk of fire, electric shock, and/or injury to persons, including the following:

1. Read all instructions.
2. This appliance is not intended for use by persons (including children) with reduced physical, sensory, or mental capabilities, or lack of experience and knowledge, unless they are closely supervised and instructed concerning use of the appliance by a person responsible for their safety.
3. Close supervision is necessary when any appliance is used by or near children. Children should be supervised to ensure that they do not play with the appliance.
4. Do not touch hot surfaces. Use handles or knobs.
5. To protect against electrical shock, do not immerse cord, plug, or oven in water or other liquid.
6. Unplug from outlet when not in use and before cleaning. Allow to cool before cleaning appliance and putting on or taking off parts.
7. Do not operate any appliance with a damaged supply cord or plug, or after the appliance malfunctions or has been dropped or damaged in any manner. Supply cord replacement and repairs must be conducted by the manufacturer, its service agent, or similarly qualified persons in order to avoid a hazard.
8. Call the provided customer service number for information on examination, repair, or adjustment.
8. The use of accessory attachments not recommended by the appliance manufacturer may cause injuries.
9. Do not use outdoors.
10. Do not let cord hang over edge of table or counter or touch hot surfaces.
11. Do not place on or near a hot gas or electric burner or in a heated oven.
12. Extreme caution must be used when moving an appliance containing hot oil or other hot liquids.
13. To disconnect, turn all controls to OFF (○); then remove plug from wall outlet.
14. Use extreme caution when removing pan or disposing of hot grease.
15. Do not clean with metal scouring pads. Pieces can break off the pad and touch electrical parts, creating a risk of electrical shock.
16. Oversize foods or metal utensils must not be inserted in an oven as they may create a fire or risk of electric shock.

17. The bread may burn. A fire may occur if toaster is covered or touching flammable material, including curtains, draperies, walls, overhead cabinets, paper or plastic products, cloth towels, and the like, when in operation.
18. Extreme caution should be exercised when using containers constructed of materials other than metal or glass.
19. Do not store any materials, other than manufacturer-recommended accessories, in this oven when not in use.
20. Do not place any of the following materials in the oven: paper, cardboard, plastic, and the like.
21. Do not cover crumb tray or any part of the oven with metal foil. This will cause overheating of the oven.
22. To turn oven off, turn Timer to OFF (●) position. See “Parts and Features” section.
23. Do not place eyes or face in close proximity with tempered safety glass door, in the event that the safety glass breaks.
24. Always use appliance with crumb tray securely in place.
25. Do not use appliance for other than intended use.
26. Clean oven interior carefully. Do not scratch or damage heating element tube.
27. Do not operate the appliance by means of an external timer or separate remote-control system.

## SAVE THESE INSTRUCTIONS

### Other Consumer Safety Information

**This appliance is intended for household use only.**

**⚠ WARNING Electrical Shock Hazard:** This appliance is provided with a polarized plug (one wide blade) to reduce the risk of electric shock. The plug fits only one way into a polarized outlet. Do not defeat the safety purpose of the plug by modifying the plug in any way or by using an adapter. If the plug does not fit fully into the outlet, reverse the plug. If it still does not fit, have an electrician replace the outlet.

The length of the cord used on this appliance was selected to reduce the hazards of becoming tangled in or tripping over a longer cord. If a longer cord is necessary, an approved extension cord may be used. The electrical rating of the extension cord must be

equal to or greater than the rating of the appliance. Care must be taken to arrange the extension cord so that it will not drape over the countertop or tabletop where it can be pulled on by children or accidentally tripped over.

This appliance is equipped with a fully tempered safety glass door. The tempered glass is four times stronger than ordinary glass and more resistant to breakage. Tempered glass can break; however, it breaks into pieces with no sharp edges. Care must be taken to avoid scratching door surface or nicking edges. If the door has a scratch or nick, call our toll-free customer service number.

Always unplug your oven from the outlet when not in use.

# Parts and Features

To order parts:

US: 1.800.851.8900

www.hamiltonbeach.com

Canada: 1.800.267.2826

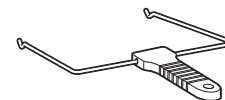
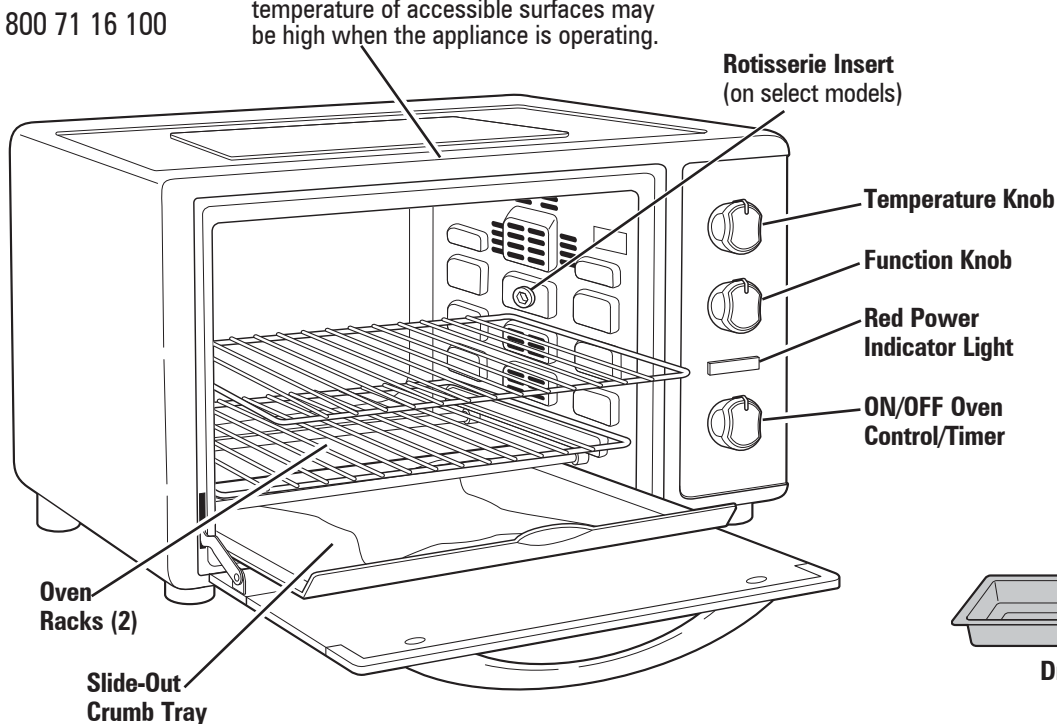
Mexico: 01 800 71 16 100



**CAUTION: HOT SURFACE.** The temperature of accessible surfaces may be high when the appliance is operating.

## BEFORE FIRST USE

Most heating appliances produce an odor and/or smoke when used the first time. Plug unit into outlet. Turn FUNCTION dial to BAKE and turn TEMPERATURE dial to 450°F. Rotate TIMER past 40 minutes and then back to desired baking time, or rotate TIMER to STAY ON. Let the oven preheat for approximately 5 minutes. The odor should not be present after this initial preheating. **Wash drip tray before using.**



**Rotisserie Lift**  
(on select models)



**Rotisserie Forks on Rotisserie Rod (Rotisserie Skewer)**  
(on select models)

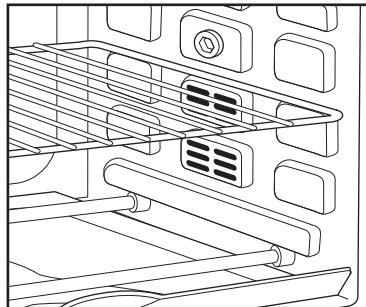
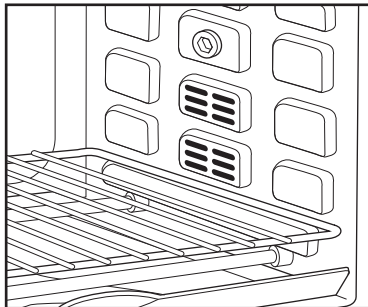


**Drip Tray**

# Parts and Features (cont.)

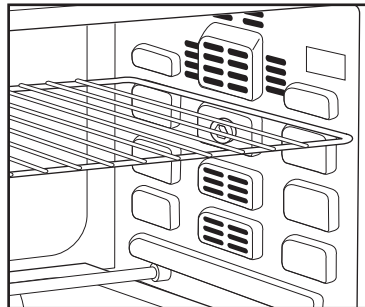
## BAKE

Center food in the oven. Lower rack to accommodate larger foods.



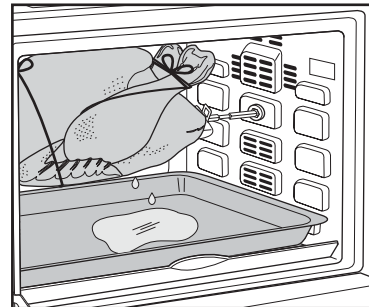
## BROIL

Place oven rack in high position.



## ROTISSERIE (on select models)

Remove both oven racks.  
Place drip tray in the lowest position for drippings.



## Tips

- When using the drip tray, temperature should be set 25 degrees lower than recipe directions.
- Never place glass baking pans or casserole dishes in a countertop oven or toaster oven. Check pan manufacturer's directions for oven-safe rating.
- Do not cover crumb tray or any part of the oven with aluminum foil. This will cause overheating of the oven. Use of aluminum foil to cover a casserole during cooking is acceptable.



### Drip Tray

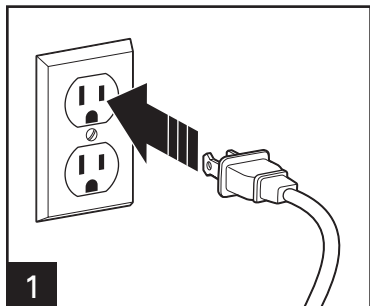
This tray is placed in the lowest position for drippings.

# How to Bake

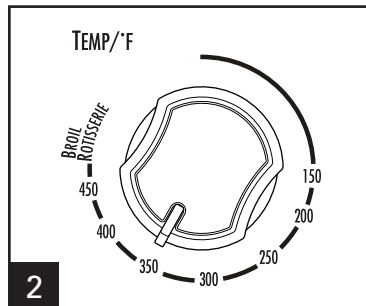
## ⚠ WARNING Fire Hazard.

- If contents ignite, do not open oven door. Unplug oven and allow contents to stop burning and cool before opening door.

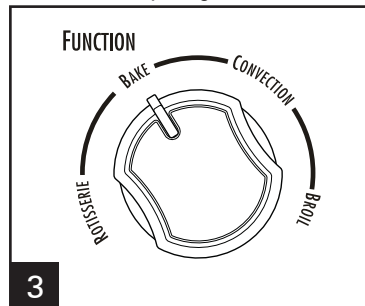
- Do not use oven cooking bags.
- Always allow at least 1 inch (2.5 cm) between food and heating element.
- Always unplug oven when not in use.



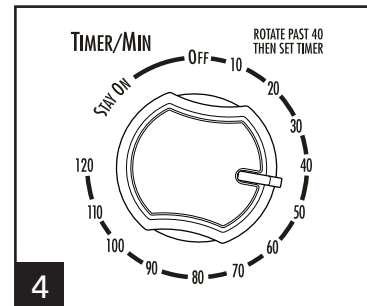
1 Plug into outlet.



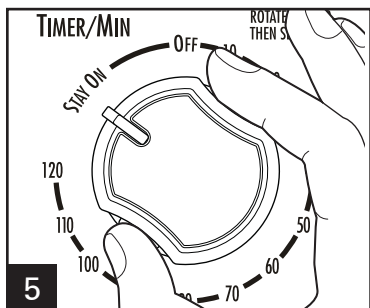
2 Set TEMPERATURE: Rotate Temp Dial to desired temperature.



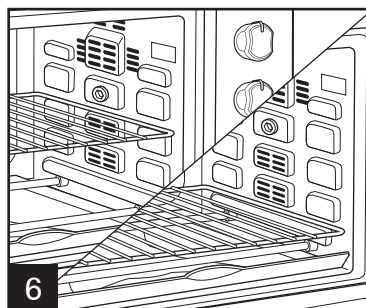
3 Set FUNCTION to BAKE.



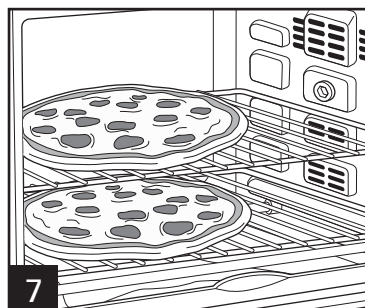
4 PREHEAT: Rotate Timer past 40, then to 10 minutes to preheat before beginning to bake.



5 BAKE: After oven is preheated, set timer to desired time by rotating timer past 40 and then to desired time, or rotate timer to **STAY ON** while pressing in and holding the buttons on the side of the dial. Center food in the oven. Rack position will vary depending on size of food.

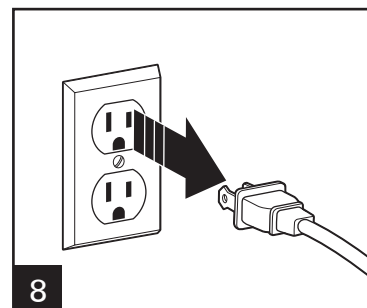


6



7

FOR 2 PIZZAS: Place the racks in the bottom slot and in the third slot (from the bottom). Preheat oven; then place pizzas on the racks. Cook about one-half the recommended time; then switch the rack positions to cook pizzas evenly top and bottom. Unplug oven.



8

# Baking Tips

- Do not totally enclose foods in aluminum foil. Foil can insulate foods and slow down heating.
- To reheat rolls or biscuits, place on baking pan and heat at 300°F (149°C) for 10 minutes.
- Reheat leftover roasts or casseroles at 350°F (177°C) for 20 to 30 minutes or until heated through.
- Bake foods, such as a whole chicken, on the **LOW RACK POSITION**. Place food in a baking pan.

TEMPERATURE	FOOD	APPROX. BAKE TIMES	INTERNAL TEMPERATURES	
			F	C
350°F/177°C	3 (6 oz. [170 g] each) Boneless, Skinless Chicken Breasts	35 to 45 minutes depending on thickness	165°	74°
375°F/190°C	2 (8 oz. [227 g] each) Fish Fillet, 3/4" (1.9 cm) thick	15 to 20 minutes depending on thickness	145°	63°

## TIPS FOR USING CONVECTION BAKE

**NOTE:** Convection Bake forces more air to circulate in the oven, so food will cook faster than the conventional Bake setting.

- Bake at the same oven temperature but for a shorter period of time. Cooking times will be reduced by about 25%.

**OR**

- Bake for the same length of time as the conventional Bake setting, but reduce the temperature by about 25 degrees.

**OR**

- Bake for a slightly shorter period of time AND at a reduced temperature.

Turn foods halfway through cooking time.

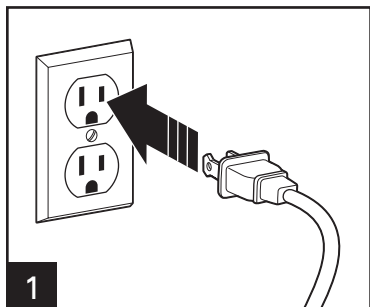
Ovens with convection mode: When baking pizza, use convection setting and reduce cooking time by 25%.

# Convection Bake

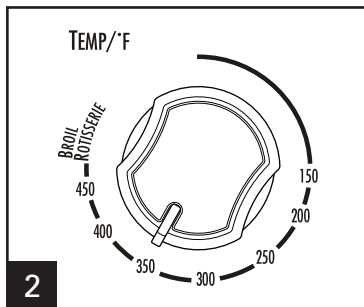
## **⚠ WARNING** Fire Hazard.

- If contents ignite, do not open oven door. Unplug oven and allow contents to stop burning and cool before opening door.

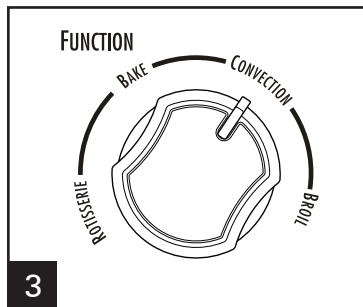
- Do not use oven cooking bags.
- Always allow at least 1 inch (2.5 cm) between food and heating element.
- Always unplug oven when not in use.



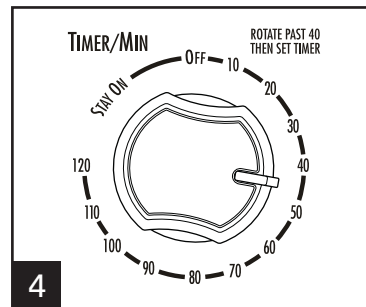
1 Plug into outlet.



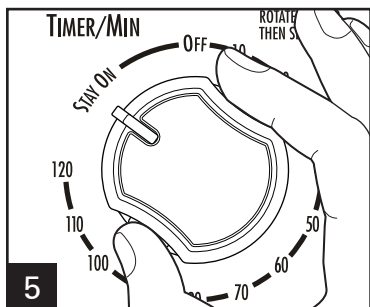
2 Set **TEMPERATURE**: Rotate Temp Dial to desired temperature.



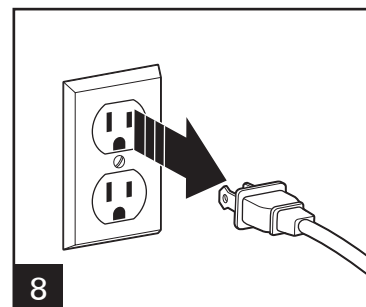
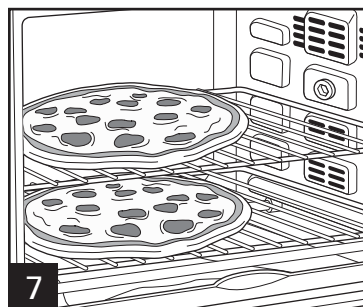
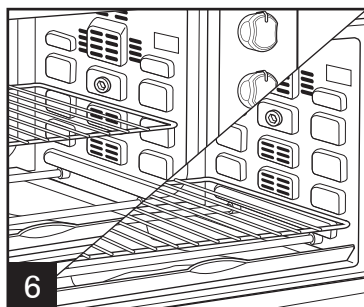
3 Set **FUNCTION** to **CONVECTION**.



4 **PREHEAT**: Rotate Timer past 40, then to 10 minutes to preheat before beginning to bake.



5 **BAKE**: After oven is preheated, set timer to desired time by rotating timer past 40 and then to desired time, or rotate timer to **STAY ON** while pressing in and holding the buttons on the side of the dial. Center food in the oven. Rack position will vary depending on size of food.



7 **FOR 2 PIZZAS**: Place the racks in the bottom slot and in the third slot (from the bottom). Preheat oven; then place pizzas on the racks. Cook about one-half the recommended time; then switch the rack positions to cook pizzas evenly top and bottom. Unplug oven.



# How to Broil

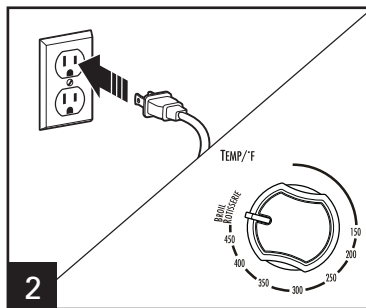
## **⚠ WARNING** Fire Hazard.

- If contents ignite, do not open oven door. Unplug oven and allow contents to stop burning and cool before opening door.
- Do not leave oven unattended during operation.

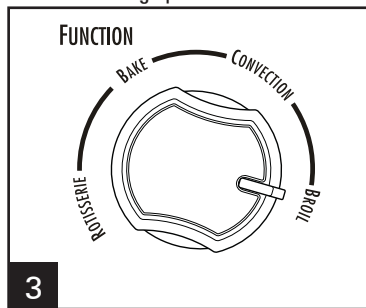
- Keep 1 inch (2.5 cm) between food and heating element.
- Do not use oven cooking bags.
- Do not heat foods in plastic containers.
- Follow food manufacturer's instructions.



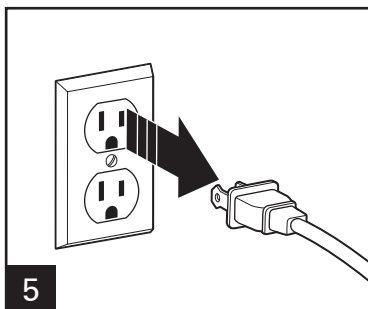
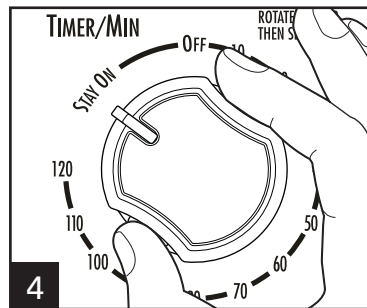
Slide rack into top position. Place food directly onto a small baking pan or onto a broil rack inserted into a small baking pan. Place pan on rack (as shown) in oven. **DO NOT PREHEAT.**



Set **TEMPERATURE**: Rotate Temp Dial to **BROIL/ROTISSERIE**.



Set **FUNCTION** to **BROIL**. **NOTE:** Only upper heating elements will be on in **BROIL** mode. **BROIL:** Set timer to desired time by rotating timer past 40 and then to desired time, or rotate timer to **STAY ON** while pressing in and holding the buttons on the side of the dial. Turn foods when browned or halfway through cooking time.

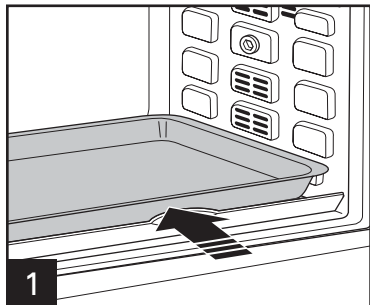


Unplug.

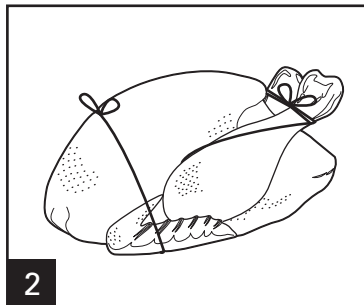
FOOD	APPROX. BROIL TIMES	INTERNAL TEMPERATURES	
		F	C
1/4-lb. (115-g) Hamburgers	14 to 16 minutes	145° medium rare	63°
	18 to 20 minutes	160° medium	71°
	21 to 23 minutes	170° well	77°
Steak – 1" (2.5-cm) thick	15 minutes	145° medium rare	60°
	20 minutes	160° medium	71°
	25 minutes	170° well	77°

# Rotisserie Cooking

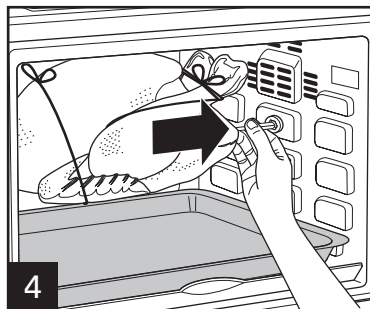
(on select models)



1 Slide drip tray in lowest rack position.



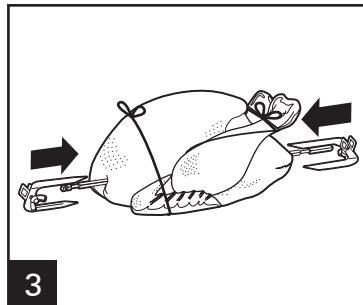
2 Tie chicken and large pieces of meat tightly with cotton string to prevent meat from hitting drip pan. For instructions on how to truss a chicken, visit our blog at [everydaygoodthinking.com](http://everydaygoodthinking.com) and search for "The Ultimate Guide to Trussing a Chicken."



4 Manually insert the pointed end of rod into the rotisserie insert on the right side of the oven, rotating rod if necessary to fit. Place square end of rod into slot in bracket on left side.

## ⚠ WARNING Fire Hazard.

- If contents ignite, do not open oven door. Unplug oven and allow contents to stop burning and cool before opening door.

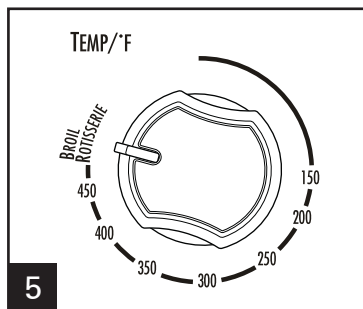


- Do not use oven cooking bags.
- Always allow at least 1 inch (2.5 cm) between food and heating element.
- Always unplug oven when not in use.

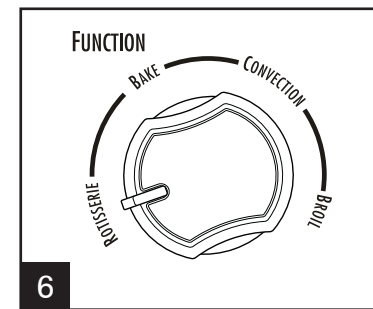
3 Insert rotisserie rod into center of meat.

Place rotisserie forks on rod with forks inserted into the bottom side of the chicken. Center meat lengthwise on rod.

Tighten the screws on the rotisserie forks.

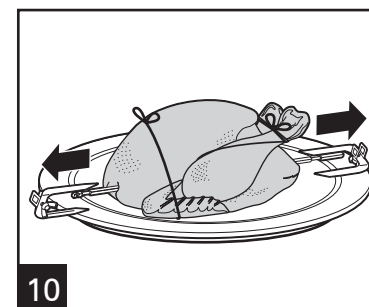
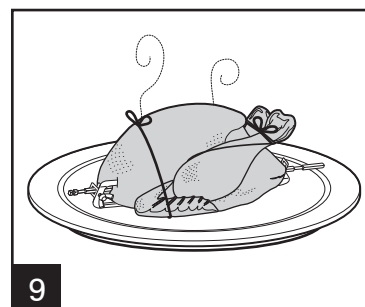
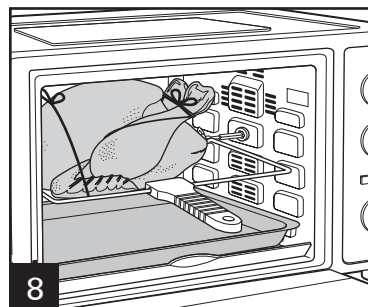
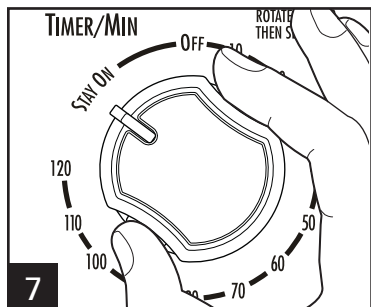


5 Set TEMPERATURE: Rotate Temp Dial to **BROIL/ROTISSERIE**.



6 Set FUNCTION to **ROTISSERIE**.

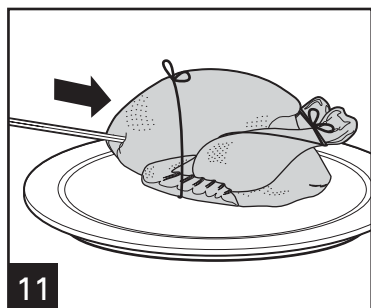
# Rotisserie Cooking (on select models) (cont.)



**7** **BAKE:** Set timer to desired time by rotating timer past 40 and then to desired time, or rotate timer to **STAY ON** while pressing in and holding the buttons on the side of the dial. **NOTE:** Only upper heating elements are on in **ROTISSERIE** mode. To remove cooked meat from oven, place the rotisserie lift with the hooks under the rotisserie rod. Lift and slide the rotisserie rod to the left and remove from the oven.

**9** Place meat on a clean surface to cool slightly.

**10** Using oven mitts, unscrew the rotisserie forks from the rotisserie rod.



**⚠ CAUTION** **Burn Hazard:**  
Avoid contact with interior of oven.

**11** Slide meat onto a serving tray or cutting surface. Remove rotisserie rod and ties before carving.

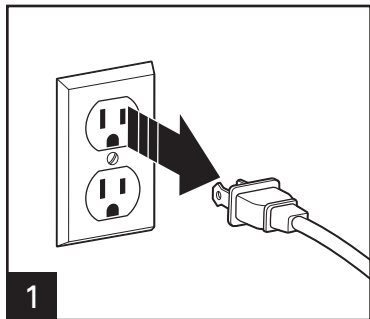
FOOD	APPROX. BAKE TIMES	INTERNAL TEMPERATURES	
		F	C
3–3.5-lb. (1350–1575-g) Pork Roast	1 hr. 30 min.	165° med	74°
	2 hours	185° well	85°
3–3.5-lb. (1350–1575-g) Beef Roast	1–1 hr. 15 min.	140° rare	60°
	1 hr. 30 min.	160° med	71°
	1 hr. 45 min.	170° well	77°
5-lb. (2250-g) Chicken	2 hours	165° thigh	74°

# Cleaning

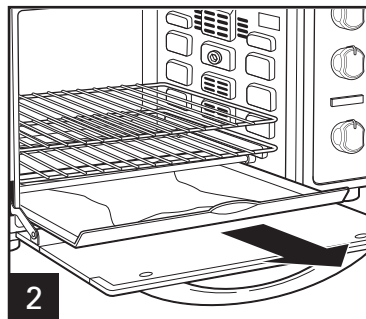
**⚠ WARNING Electrical Shock Hazard.**

Do not clean with metal scouring pads. Pieces can break off pad and touch electrical parts.

Your oven should be cleaned regularly for best performance and long life. Regular cleaning will also reduce the risk of fire hazard.

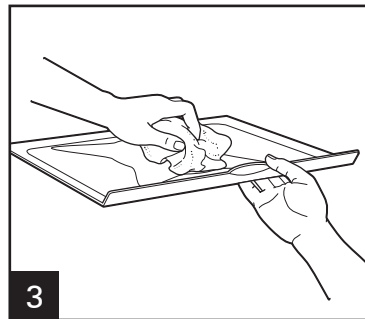


Unplug and allow oven to cool before cleaning.

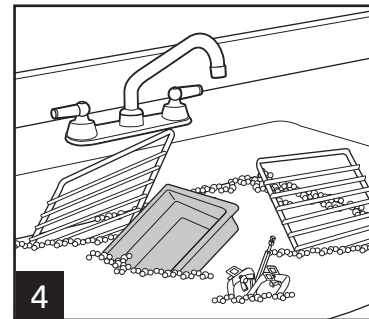


To clean inside of oven, wipe oven walls, bottom of oven, and glass door with a damp, soapy cloth. Repeat with a damp, clean cloth.

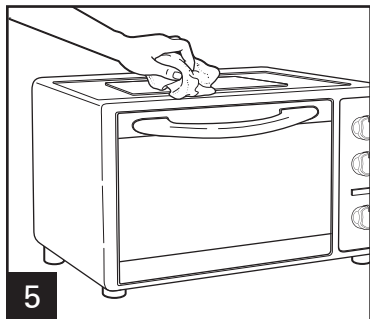
For stubborn stains, use a plastic scouring pad.



Wipe crumb tray with a damp, soapy cloth. Do not use abrasive cleansers or metal scouring pads.



Hand washing and drying will prolong the life of your oven parts.



Wipe outside of oven with a damp cloth. Do not use abrasive cleansers or metal scouring pads.

# Troubleshooting

## PROBLEM

## PROBABLE CAUSE/SOLUTION

Oven will not heat.

- Check to make sure electrical outlet is working and the oven is plugged in. Turn Temperature Dial to 350°F (180°C). Turn Function Dial to **BAKE**; then turn Timer to **STAY ON**.

An odor and smoke come from oven.

- Smoke and odor are normal during first use of most heating appliances. These will not be present after initial heating period.

Some foods burn and some are not done.

- Adjust oven rack position to center food in oven.
- Adjust oven temperature or cooking time for best results with your recipes.

Drip tray does not fit on rack.

- The drip tray fits directly into slots. Use to catch drips while baking or broiling. Do not broil directly on drip tray.
- Refer to Parts and Features for details on rack positions.

# Limited Warranty

This warranty applies to products purchased and used in the U.S. and Canada. This is the only express warranty for this product and is in lieu of any other warranty or condition.

This product is warranted to be free from defects in material and workmanship for a period of five (5) years from the date of original purchase in Canada and one (1) year from the date of original purchase in the U.S. During this period, your exclusive remedy is repair or replacement of this product or any component found to be defective, at our option; however, you are responsible for all costs associated with returning the product to us and our returning a product or component under this warranty to you. If the product or component is no longer available, we will replace with a similar one of equal or greater value.

This warranty does not cover glass, filters, wear from normal use, use not in conformity with the printed directions, or damage to the product resulting from accident, alteration, abuse, or misuse. This warranty extends only to the original consumer purchaser or gift recipient. Keep the original sales receipt, as proof of purchase is required to make a warranty claim. This warranty is void if the product is used for other than single-family household use or subjected to any voltage and waveform other than as specified on the rating label (e.g., 120V ~ 60 Hz).

We exclude all claims for special, incidental, and consequential damages caused by breach of express or implied warranty. All liability is limited to the amount of the purchase price. **Every implied warranty, including any statutory warranty or condition of merchantability or fitness for a particular purpose, is disclaimed except to the extent prohibited by law, in which case such warranty or condition is limited to the duration of this written warranty.** This warranty gives you specific legal rights. You may have other legal rights that vary depending on where you live. Some states or provinces do not allow limitations on implied warranties or special, incidental, or consequential damages, so the foregoing limitations may not apply to you.

To make a warranty claim, do not return this appliance to the store. Please call 1.800.851.8900 in the U.S. or 1.800.267.2826 in Canada or visit [hamiltonbeach.com](http://hamiltonbeach.com) in the U.S. or [hamiltonbeach.ca](http://hamiltonbeach.ca) in Canada. For faster service, locate the model, type, and series numbers on your appliance.

# Notes

# ⚠️ AVERTISSEMENT



## Danger d'incendie.

- Si le contenu de votre grille-pain se met à brûler, n'ouvrez jamais la porte du four. Débrancher l'appareil et laisser le contenu s'arrêter de brûler avant d'ouvrir la porte.
- Ne faites jamais fonctionner en mode BROIL sans surveillance.
- N'utiliser jamais avec des sacs de cuisson au four.
- Ne pas faire chauffer les coquilles à taco dans le four grille-pain. Toujours faire réchauffer dans un four conventionnel.
- Laisser toujours au moins un pouce libre entre les aliments et l'élément de chauffage.
- Débrancher toujours votre four quand vous ne l'utilisez pas.
- Un nettoyage régulier réduit le danger d'incendie.

## PRÉCAUTIONS IMPORTANTES

Pour utiliser un appareil électroménager, vous devez toujours prendre des mesures élémentaires de sécurité pour réduire le risque d'incendie, d'électrocution et/ou de blessure corporelle, en particulier les mesures suivantes :

1. Lire toutes les instructions.
2. Cet appareil n'est pas destiné à être utilisé par des personnes (y compris les enfants) dont les capacités physiques, sensorielles ou mentales sont réduites, ou manquant d'expérience et de connaissance, sauf si elles sont étroitement surveillées et instruites sur l'utilisation de l'appareil par une personne responsable de leur sécurité.
3. Une surveillance étroite est requise pour tout appareil utilisé par ou près des enfants. Surveiller que les enfants ne jouent pas avec l'appareil.
4. Ne pas toucher les surfaces chaudes. Utiliser les poignées ou boutons.
5. Pour protéger contre le risque de choc électrique, ne pas immerger le cordon, la fiche ou le four dans l'eau ou autre liquide.
6. Débrancher l'appareil de la prise de courant électrique lorsqu'il n'est pas utilisé et avant un nettoyage. Le laisser refroidir avant le nettoyage et avant d'y placer ou d'y enlever des pièces.
7. Ne pas faire fonctionner un appareil électroménager avec un cordon ou une fiche endommagée, ou lorsque l'appareil ne fonctionne pas bien ou a été échappé ou endommagé d'une manière quelconque. Le remplacement et la réparation du cordon d'alimentation doivent être faits par le fabricant, son agent de service ou toute personne qualifiée de façon à éviter tout danger. Appeler le numéro de service à la clientèle fourni pour des renseignements concernant l'examen, la réparation ou l'ajustement.
8. L'utilisation d'accessoires non recommandés par le fabricant d'appareil peut causer des blessures.
9. Ne pas utiliser à l'extérieur.
10. Ne pas laisser le cordon pendre du bord d'une table ou d'un comptoir, ou toucher des surfaces chaudes.
11. Ne pas placer l'appareil sur ou près d'un brûleur chaud à gaz ou d'un élément électrique, ou dans un four chauffé.
12. Une précaution extrême doit être employée lors du déplacement d'un appareil électroménager contenant de l'huile chaude ou autre liquide chaud.



13. Pour débrancher l'appareil, tourner tous les réglages à OFF (O/arrêt), ensuite retirer la fiche de la prise de courant murale.
14. Une prudence extrême s'impose lors de l'enlèvement du plateau ou de la vidange de graisse chaude.
15. Ne pas nettoyer avec des tampons à recurer en métal. Des particules peuvent se détacher du tampon et toucher les pièces électriques, créant un risque de choc électrique.
16. Des aliments ou des ustensiles de métal de grosseur excessive ne doivent pas être insérés dans un four, car ils peuvent créer un incendie ou un risque de choc électrique.
17. Le pain peut brûler. Un incendie peut survenir si le grille-pain est recouvert ou en contact avec un matériau inflammable, y compris rideaux, tentures, murs, armoires en surplomb, produits en papier ou en plastique, serviettes en tissu et autres articles semblables, lorsqu'il fonctionne.
18. Une grande précaution doit être prise lors de l'utilisation de contenants construits en matériaux autre que le métal ou le verre.
19. Ne pas remiser des matériaux autres que les accessoires recommandés par le fabricant dans cet appareil lorsqu'il n'est pas utilisé.
20. Ne pas placer l'un des matériaux suivants dans le four : papier, carton, plastique et articles semblables.
21. Ne pas couvrir le plateau à miettes ou toute pièce du four avec du papier métallique. Ceci causera un surchauffage du four.
22. Pour éteindre le four, tourner la bouton de minuterie à la position OFF (O/arrêt). Voir la section « Pièces et caractéristiques ».
23. Ne pas placer les yeux ou le visage près de la porte en verre renforcé de sécurité, au cas où le verre de sécurité se briserait.
24. Toujours utiliser cet appareil avec le plateau à miettes bien en place.
25. Ne pas utiliser cet appareil pour tout autre usage que celui recommandé.
26. Nettoyer l'intérieur du four avec précaution. Ne pas égratigner ou endommager le tube de l'élément chauffant.
27. Ne pas faire fonctionner cet appareil avec une minuterie externe ou un système de télécommande distinct.

## CONSERVER CES INSTRUCTIONS

### Renseignements de Sécurité aux Consommateurs

Cet appareil est destiné à un usage domestique uniquement.

**⚠ AVERTISSEMENT Risque de choc électrique :** Cet appareil est fourni avec une fiche polarisée (une broche large) pour réduire le risque d'électrocution. Cette fiche n'entre que dans un seul sens dans une prise polarisée. Ne contrecarrez pas l'objectif sécuritaire de cette fiche en la modifiant de quelque manière que ce soit ou en utilisant un adaptateur. Si vous ne pouvez pas insérer complètement la fiche dans la prise, inversez la fiche. Si elle refuse toujours de s'insérer, faire remplacer la prise par un électricien.

La longueur du cordon installé sur cet appareil a été sélectionnée afin de réduire les risques d'enchevêtrement ou de faux pas causés par un fil trop long. L'utilisation d'une rallonge approuvée est permise si le cordon est trop court. Les caractéristiques


électriques de la rallonge doivent être équivalentes ou supérieures aux caractéristiques de l'appareil. Prendre toutes les précautions nécessaires pour installer la rallonge de manière à ne pas la faire courir sur le comptoir ou sur une table pour éviter qu'un enfant ne tire sur le cordon ou trébuche accidentellement.

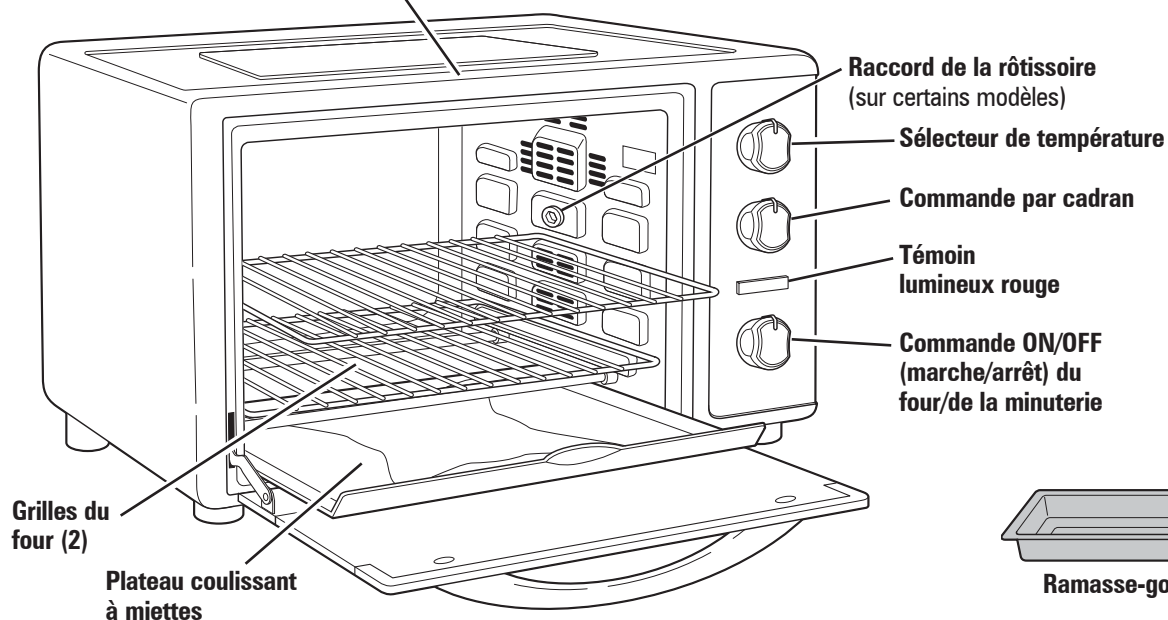
Cet appareil est doté d'une porte en verre renforcé de sécurité. Le verre renforcé est quatre fois plus fort que le verre ordinaire et plus résistant aux bris. Le verre renforcé peut se briser, mais il se brise en pièces sans bords coupants. Il faut prendre soin d'éviter d'égratigner la surface de la porte ou d'endommager le contour. Si la porte a une égratignure ou un bris, composer notre numéro sans frais d'interurbain d'assistance à la clientèle.

Toujours débrancher votre four de la prise de courant lorsqu'il n'est pas utilisé.

# Pièces et caractéristiques

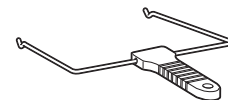
Pour commander des pièces :  
Canada : 1.800.267.2826

 **ATTENTION : SURFACE CHAUDE** : La température des surfaces extérieures sera plus élevée pendant le fonctionnement de l'appareil.



## AVANT LA PREMIÈRE UTILISATION

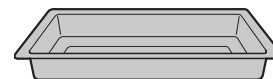
La plupart des appareils chauffants produisent une odeur ou de la fumée (ou les deux) lors de leur première utilisation. Brancher l'appareil dans une prise. Tourner la commande par cadran à BAKE (cuire) et le sélecteur de température à 450 °F (230 °C). Tourner la commande TIMER (minuterie) au-delà de 40 minutes puis revenir en arrière jusqu'à la durée de cuisson désirée ou tourner la commande TIMER sur STAY ON (continue). Laisser le four se préchauffer pendant environ 5 minutes. L'odeur ne doit plus être présente après ce préchauffage initial. **Nettoyer le ramasse-gouttes avant l'utilisation.**



**Système de levage de la rôtisserie**  
(sur certains modèles)



**Broches à rôtir sur tournebroche**  
(sur certains modèles)

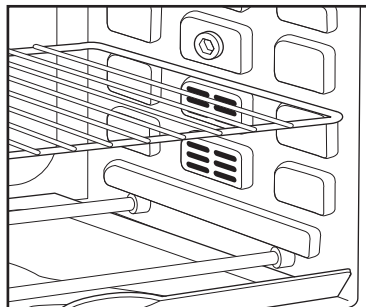
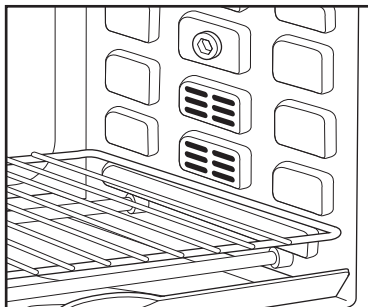


**Ramasse-gouttes**

# Pièces et caractéristiques (suite)

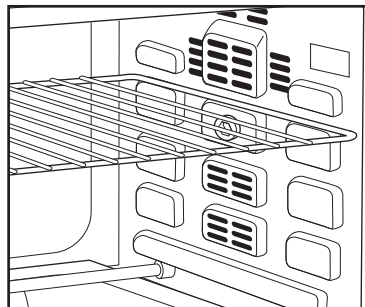
## CUISSON

Placer les aliments au centre du four. Abaisser la grille pour pouvoir enfourner les aliments volumineux.



## BRUNISSAGE

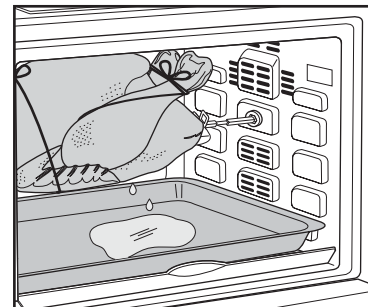
Placer la grille du four dans la position haute.



## RÔTISSOIRE

(sur certains modèles)

Retirer les deux grilles du four. Placer le ramasse-gouttes à la position la plus basse du four pour récupérer les débordements.



## Conseils

- Avec l'utilisation du ramasse-gouttes, la température doit être réglée à 25 degrés (14 °C) de moins que les instructions indiquées de la recette.
- Ne jamais placer de plats de cuisson en verre ou de casserole dans un four de comptoir ou un four grille-pain. Vérifier les directives du fabricant du plat pour obtenir les caractéristiques sécuritaires de cuisson.
- Ne pas recouvrir le plateau à miettes ou toutes autres pièces du four avec du papier métallique. Ceci provoquera la surchauffe du four. L'utilisation de papier métallique pour couvrir une casserole pendant la cuisson est permise.



### Ramasse-gouttes

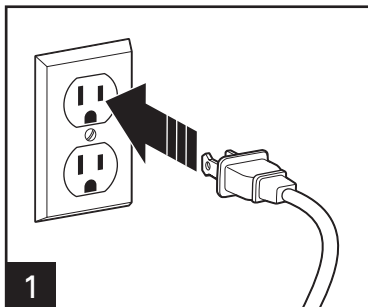
Ce plat est placé à la position la plus basse pour récupérer les débordements.

# Pour la cuisson

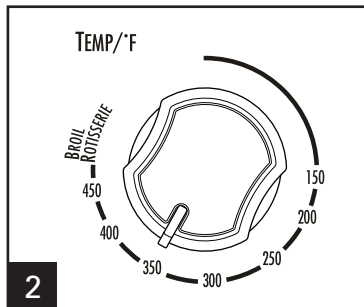
## ⚠ AVERTISSEMENT Risque d'incendie.

- Si les aliments s'enflamment, ne pas ouvrir la porte du four. Débrancher le four et laisser les aliments s'éteindre et refroidir avant d'ouvrir la porte.

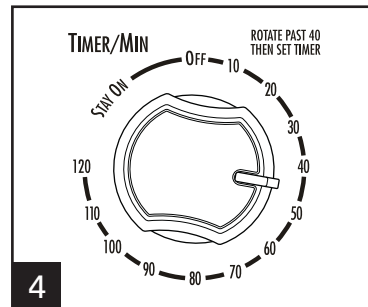
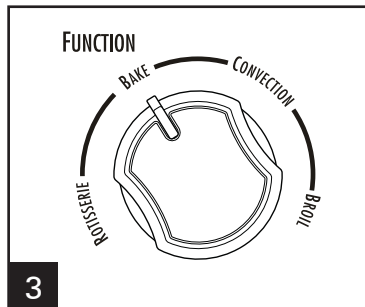
- Ne pas utiliser de sac de cuisson au four.
- Toujours laisser 1 pouce (2,5 cm) libre entre les aliments et l'élément de chauffage.
- Toujours débrancher le four dès la fin de l'utilisation.



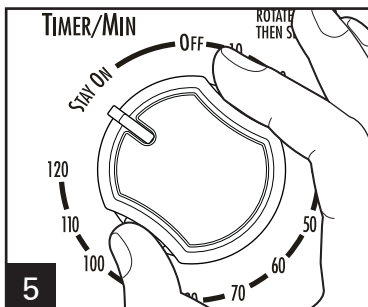
Brancher la fiche dans la prise de courant.



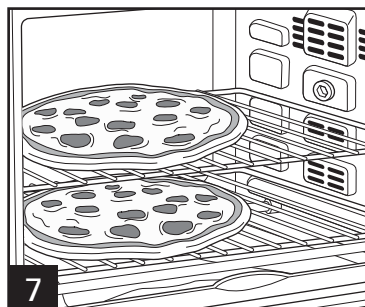
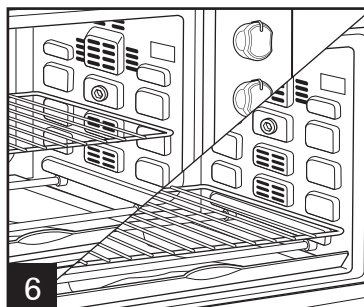
Réglage de la TEMPÉRATURE : Tourner le sélecteur de température à la température désirée. Régler la commande par cadran à **BAKE** (cuire).



PRÉCHAUFFAGE : Tourner la commande TIMER (minuterie) au-delà de 40 puis revenir à 10 minutes pour préchauffer le four avant de commencer la cuisson.



CUIRE : Dès que le four grille-pain est réchauffé, régler la minuterie à la durée désirée en tournant le cadran au-delà de 40 et retourner jusqu'à la durée désirée ou régler à **STAY ON** (continue) en appuyant et en maintenant les boutons situés sur le côté du cadran. Placer les aliments au centre du four. La position de la grille variera selon la dimension des aliments.



POUR 2 PIZZAS : Placer les grilles dans la fente inférieure et dans la troisième fente (à partir du bas). Préchauffer le four puis déposer les pizzas sur les grilles. Cuire à la moitié du temps recommandé puis changer la position des grilles afin de cuire uniformément le dessus et le dessous des pizzas. Débrancher le four.

# Conseils pour cuire

- Ne pas emballer hermétiquement les aliments dans le papier aluminium. L'aluminium isole les aliments et ralentit leur chauffage.
- Pour réchauffer des brioches ou biscuits, placer les aliments sur le plat de cuisson et chauffer à 149 °C (300 °F) pendant 10 minutes.
- Réchauffer les restes de viandes et plats mijotés à 177 °C (350 °F) pendant 20 à 30 minutes ou jusqu'à ce que les aliments soient entièrement réchauffés.
- Cuire les aliments comme le poulet entier en plaçant en **POSITION INFÉRIEURE DE LA GRILLE**. Placer les aliments dans le plat de cuisson.

TEMPÉRATURE	ALIMENT	TEMPS DE CUISSON APPROX.	INTERNAL TEMPERATURES	
			F	C
177 °C / 350 °F	3 poitrines de poulet (3 oz [170 g] chacune), sans la peau	35 à 45 minutes selon l'épaisseur	165 °	74 °
190 °C / 375 °F	2 filets de poisson (8 oz [227 g] chacun), de 3/4 po (1,9 cm) d'épaisseur	15 à 20 minutes selon l'épaisseur	145 °	63 °

## CONSEILS DE CUISSON AU FOUR À CONVECTION

**REMARQUE :** La cuisson par convection force plus d'air à circuler dans le four, donc les aliments cuisent plus vite que sur le réglage de cuisson conventionnelle.

- Faire cuire à la même température de four mais pendant une plus courte durée. Les durées de cuisson seront réduites d'environ 25 %.
- OU :**
- Faire cuire pendant la même durée que sur le réglage de cuisson conventionnelle, mais réduire la température d'environ 25 degrés (14 °C).
- OU :**
- Faire cuire pendant un petit peu moins longtemps ET à une température réduite.

Tourner les aliments à la mi-cuisson.

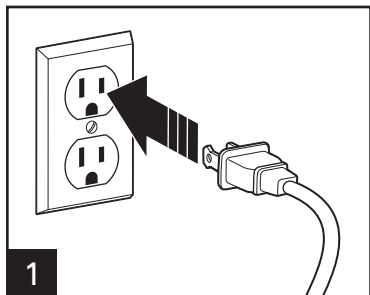
Fours à mode de cuisson par convection : Lors de la cuisson de pizza, utiliser le réglage de cuisson par convection et réduire la durée de cuisson de 25 %.

# Cuisson par convection

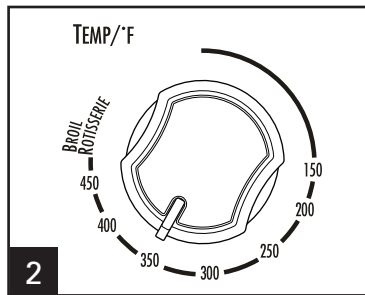
## ⚠ **AVERTISSEMENT** Risque d'incendie.

- Si les aliments s'enflamment, ne pas ouvrir la porte du four. Débrancher le four et laisser les aliments s'éteindre et refroidir avant d'ouvrir la porte.

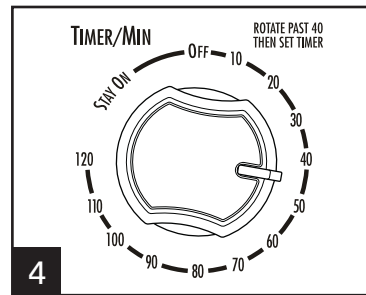
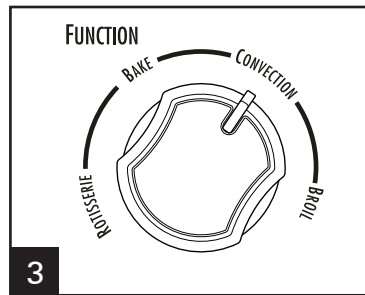
- Ne pas utiliser de sac de cuisson au four.
- Toujours laisser 1 pouce (2,5 cm) libre entre les aliments et l'élément de chauffage.
- Toujours débrancher le four dès la fin de l'utilisation.



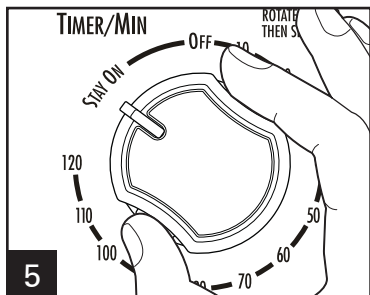
Brancher la fiche dans la prise de courant.



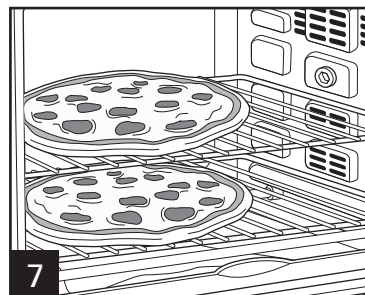
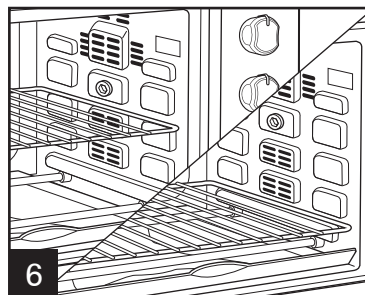
Réglage de la TEMPÉRATURE : Tourner le sélecteur de température à la température désirée. Régler la commande par cadran à **CONVECTION**.



PRÉCHAUFFAGE : Tourner la commande TIMER (minuterie) au-delà de 40 puis revenir à 10 minutes pour préchauffer le four avant de commencer la cuisson.



**CUIRE** : Dès que le four grille-pain est réchauffé, régler la minuterie à la durée désirée en tournant le cadran au-delà de 40 et retourner jusqu'à la durée désirée ou régler à **STAY ON** (continue) en appuyant et en maintenant les boutons situés sur le côté du cadran. Placer les aliments au centre du four. La position de la grille variera selon la dimension des aliments.



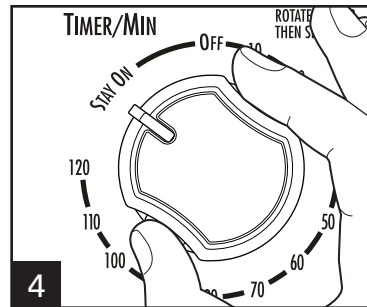
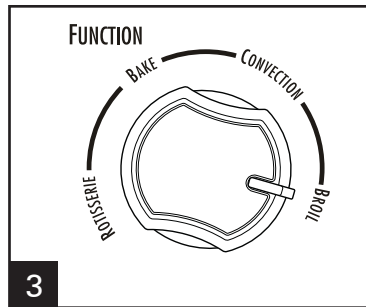
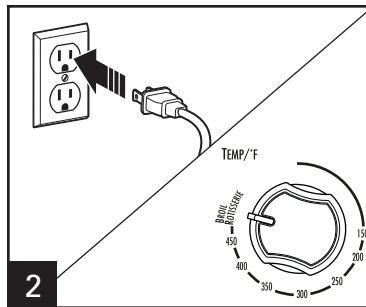
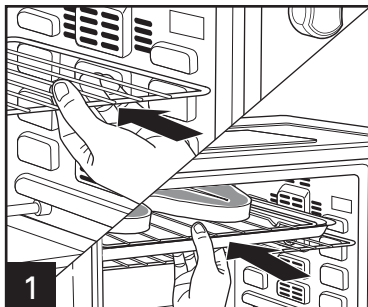
**POUR 2 PIZZAS** : Placer les grilles dans la fente inférieure et dans la troisième fente (à partir du bas). Préchauffer le four puis déposer les pizzas sur les grilles. Cuire à la moitié du temps recommandé puis changer la position des grilles afin de cuire uniformément le dessus et le dessous des pizzas. Débrancher le four.

# Cuisson au grill

## ⚠️ AVERTISSEMENT Risque d'incendie.

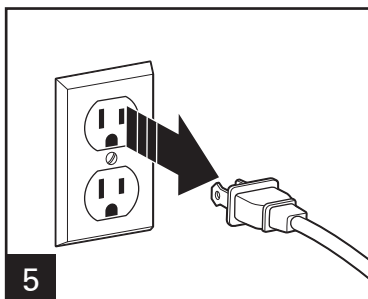
- Si les aliments s'enflamment, ne pas ouvrir la porte du four. Débrancher le four et laisser les aliments s'éteindre et refroidir avant d'ouvrir la porte.
- Ne pas laisser l'appareil sans surveillance pendant le fonctionnement.

- Toujours laisser 1 pouce (2,5 cm) libre entre les aliments et l'élément de chauffage.
- Ne pas utiliser de sac de cuisson au four.
- Ne pas réchauffer les aliments dans des contenants en matière plastique.
- Suivre les instructions des fabricants d'aliments.



Insérer la grille à la position supérieure. Déposer les aliments directement dans le petit plat de cuisson ou sur une grille déposée dans le petit plat de cuisson. Insérer le plat sur la grille (comme illustré) dans le four. **NE PAS PRÉCHAUFFER.** Réglage de la **TEMPÉRATURE** : Tourner le sélecteur de température à **BROIL/ROTISSERIE** (grillage/rôtisserie).

Régler la commande par cadran à **BROIL** (grillage). **REMARQUE** : Seul l'élément chauffant supérieur est allumé en mode **BROIL** (grillage). **POUR GRILLER** : Régler la minuterie à la durée désirée en tournant le cadran au-delà de 40 et retourner jusqu'à la durée désirée ou régler à **STAY ON** (continue) en appuyant et en maintenant les boutons situés sur le côté du cadran. Retourner les aliments lorsqu'ils sont grillés ou à la moitié du temps de cuisson.



Débrancher.

ALIMENT	TEMPS DE CUISSON AU GRIL APPROX.	TEMPÉRATURES INTERNES	
		F	C
Hamburgers 1/4 livre (115 g)	14 à 16 minutes	145 ° mi-saignant	63 °
	18 à 20 minutes	160 ° à point	71 °
	21 à 23 minutes	170 ° bien cuit	77 °
Steak – 1 po (2,5 cm) d'épaisseur	15 minutes	145 ° mi-saignant	60 °
	20 minutes	160 ° à point	71 °
	25 minutes	170 ° bien cuit	77 °

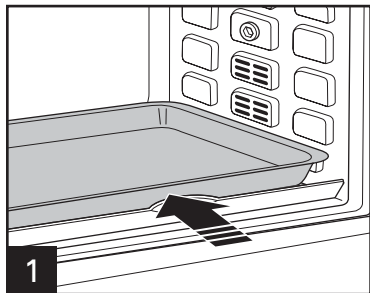
# Cuisson à la rôtissoire

(sur certains modèles)

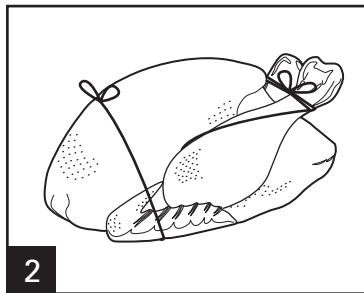
## ⚠️ AVERTISSEMENT Risque d'incendie.

- Si les aliments s'enflamment, ne pas ouvrir la porte du four. Débrancher le four et laisser les aliments s'éteindre et refroidir avant d'ouvrir la porte.

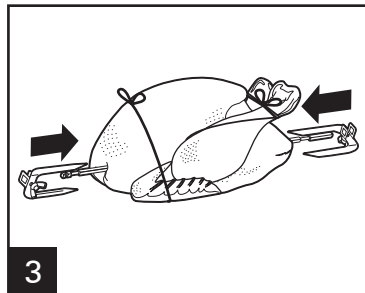
- Ne pas utiliser de sac de cuisson au four.
- Toujours laisser 1 pouce (2,5 cm) libre entre les aliments et l'élément de chauffage.
- Toujours débrancher le four dès la fin de l'utilisation.



1  
Glisser le ramasse-gouttes à la position inférieure de grille.



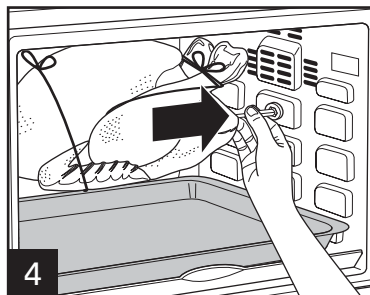
2  
Attacher bien le poulet et les grosses pièces de viande à l'aide d'une ficelle de coton afin d'empêcher la viande de heurter le ramasse-gouttes. Pour savoir comment brider un poulet, visiter le blogue à [everydaygoodthinking.com](http://everydaygoodthinking.com) et chercher « The Ultimate Guide to Trussing a Chicken » (Le guide ultime pour brider un poulet).



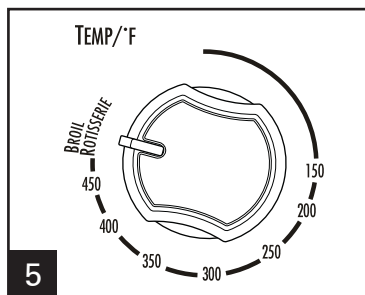
Insérer le tournebroche au centre de la viande.

Placer les broches à rôtir sur le tournebroche. Les broches doivent être insérées dans la partie inférieure du poulet. Centrer la viande sur le tournebroche, dans le sens de la longueur.

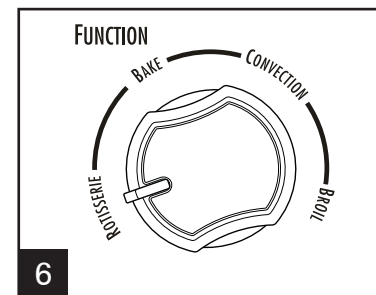
Resserrer les vis des broches à rôtir.



4  
Insérer à la main l'extrémité pointue de la tige dans le support de rôtisserie de la face droite du four, en faisant pivoter la tige pour l'appuyer à fond si nécessaire. Placer l'extrémité carrée dans la fente du support de la face gauche.



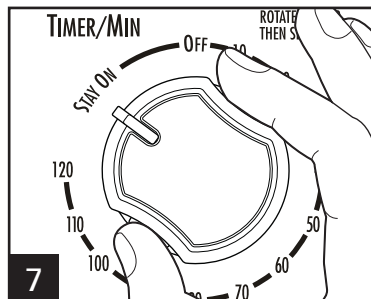
5  
Réglage de la TEMPÉRATURE : Tourner le sélecteur de température à la **BROIL/ROTISSERIE** (grillage/rôtisserie).



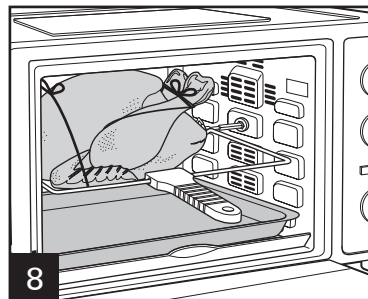
6  
Régler la commande par cadran à **ROTISSERIE** (rôtisserie).



# Cuisson à la rôtissoire (sur certains modèles) (suite)

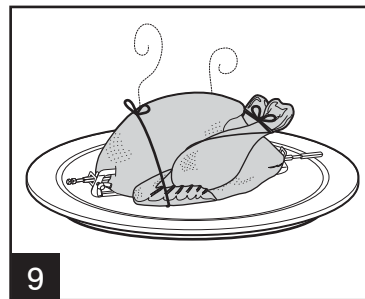


**7** CUIRE : Régler la minuterie à la durée désirée en tournant le cadran au-delà de 40 et retourner jusqu'à la durée désirée ou régler à **STAY ON** (continue) en appuyant et en maintenant les boutons situés sur le côté du cadran. **REMARQUE :** Seul l'élément chauffant supérieur est allumé en mode **ROTTISERIE** (rôtissoire).

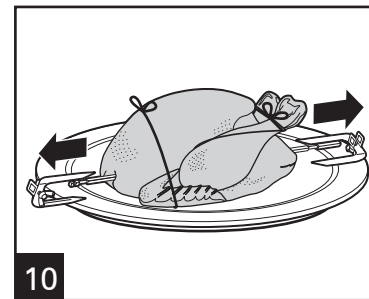


**8** Pour retirer la viande cuite du four, positionner le système de lavage de la rôtissoire avec les supports sous le tournebroche. Soulever et faire glisser le tournebroche vers la gauche et le retirer du four.

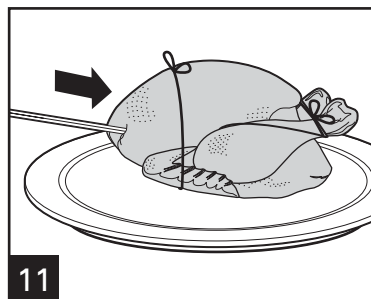
**⚠ ATTENTION** Risque de brûlure : Éviter tout contact avec l'intérieur du four.



**9** Déposer la viande sur une surface propre et laisser refroidir un peu.



**10** Avec des gants de cuisinier, dévisser les fourchettes de la rôtissoire de la tige de la rôtissoire.



**11** Transférer la viande sur un plat de service ou sur une planche à découper. Retirer la tige de rôtisserie et les ficelles avant de découper.

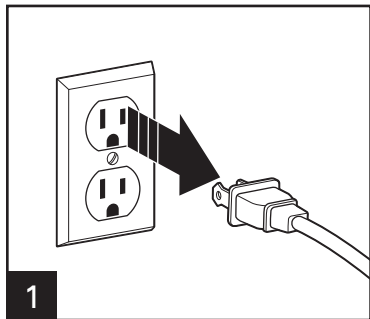
ALIMENT	TEMPS DE CUISSON APPROX.	TEMPÉRATURES INTERNES	
		F	C
Rôti de porc 3 à 3,5 livre (1350 à 1575 g)	1 hr. 30 min.	165 ° à point	74 °
	2 heures	185 ° bien cuit	85 °
Rôti de boeuf 3 à 3,5 livre (1350 à 1575 g)	1 hr. à 1 hr. 15 min.	140 ° saignant	60 °
	1 hr. 30 min.	160 ° à point	71 °
	1 hr. 45 min.	170 ° bien cuit	77 °
Poulet 5 livre (2250 g)	2 heures	165 ° cuisse	74 °

# Nettoyage

## **⚠ AVERTISSEMENT** Risque d'électrocution.

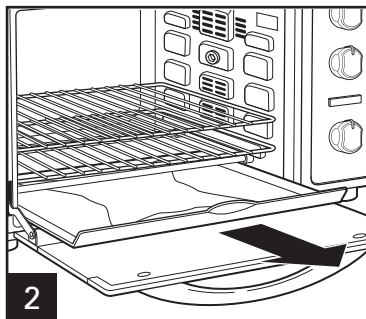
Ne pas utiliser de tampon à récurer métallique pour le nettoyage. Des débris métalliques peuvent se détacher et tomber sur des composants électriques.

Nettoyer périodiquement le four pour un rendement optimal et prolonger la durée de vie. Le nettoyage périodique diminue également le risque d'incendie.



1

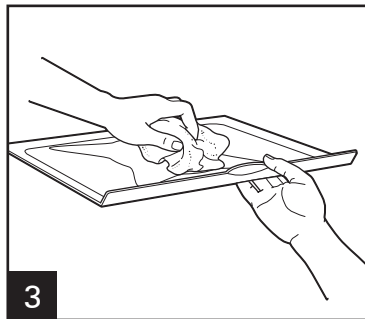
Débrancher et laisser refroidir avant de le nettoyer.



2

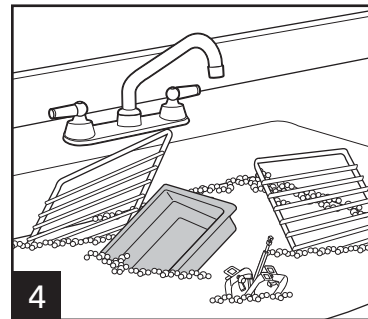
Pour le nettoyage intérieur du four, essuyer toutes les parois internes et la porte de verre avec un linge imbibé d'eau savonneuse. Répéter avant un linge propre et humide.

Pour les taches tenaces, utiliser un tampon à récurer en plastique.



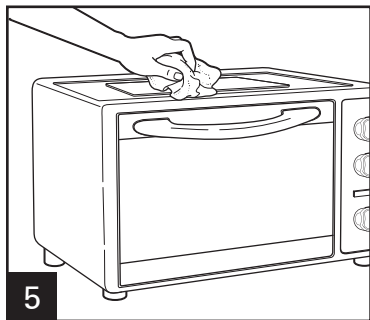
3

Essuyer le ramasse-miettes avec un linge imbibé d'eau savonneuse. Ne pas utiliser de nettoyeurs abrasifs ou de tampons à récurer.



4

Le nettoyage manuel et le séchage à l'air libre prolongeront la durée de vie des pièces du four.



5

Essuyer les parois extérieures du four avec un linge humide. Ne pas utiliser de nettoyeurs abrasifs ou de tampons à récurer.

# Dépannage

## PROBLÈME

## CAUSE PROBABLE/SOLUTION

Le four ne chauffe pas.

- Assurer le fonctionnement de la prise murale et le branchement du four. Tourner le sélecteur de température à 180 °C (350 °F), tourner la commande par cadran à « **BAKE** » (cuisson) puis tourner TIMER (minuterie) à « **STAY ON** » (continue).

Odeur et fumée émanant du four.

- La fumée et l'odeur qui se dégagent sont normales au cours de la première utilisation de la plupart des appareils chauffants. Ceci ne devrait pas se répéter au cours des utilisations ultérieures.

Quelques aliments brûlent alors que d'autres ne sont pas cuits.

- Ajuster la position adéquate de la grille de manière à disposer les aliments au centre du four.
- Régler la température du four ou le temps de cuisson pour obtenir des résultats optimaux selon les recettes utilisées.

Le ramasse-gouttes ne peut se placer sur la grille.

- Le ramasse-gouttes se glisse directement dans les fentes. Utiliser pour recueillir les débordements pendant la cuisson ou le rôtissage. Ne pas faire griller les aliments directement dans le plateau d'égouttage.
- Consulter le chapitre « Pièces et caractéristiques » pour plus de détails au sujet des positions de grille.

# Garantie limitée

Cette garantie s'applique aux produits achetés et utilisés aux É.-U. et au Canada. C'est la seule garantie expresse pour ce produit et est en lieu et place de tout autre garantie ou condition.

Ce produit est garanti contre tout défaut de matériaux et de main-d'oeuvre pour une période des cinq (5) ans à compter de la date d'achat d'origine au Canada et un (1) an à compter de la date d'achat d'origine aux É.-U. Au cours de cette période, votre seul recours est la réparation ou le remplacement de ce produit ou tout composant s'avérant défectueux, à notre gré, mais vous êtes responsable de tous les coûts liés à l'expédition du produit et le retour d'un produit ou d'un composant dans le cadre de cette garantie. Si le produit ou un composant n'est plus offert, nous le remplacerons par un produit similaire de valeur égale ou supérieure.

Cette garantie ne couvre pas le verre, les filtres, l'usure d'un usage normal, l'utilisation non conforme aux directives imprimées, ou des dommages au produit résultant d'un accident, modification, utilisation abusive ou incorrecte. Cette garantie s'applique seulement à l'acheteur original ou à la personne l'ayant reçu en cadeau. La présentation du reçu de vente d'origine comme preuve d'achat est nécessaire pour faire une réclamation au titre de cette garantie. Cette garantie s'annule si le produit est utilisé autrement que par une famille ou si l'appareil est soumis à toute tension ou forme d'onde différente des caractéristiques nominales précisées sur l'étiquette (par ex. : 120 V ~ 60 Hz).

Nous excluons toutes les réclamations au titre de cette garantie pour les dommages spéciaux, consécutifs et indirects causés par la violation de garantie expresse ou implicite. Toute responsabilité est limitée au prix d'achat. **Chaque garantie implicite, y compris toute garantie ou condition de qualité marchande ou d'adéquation à un usage particulier, est exonérée, sauf dans la mesure interdite par la loi, auquel cas la garantie ou condition est limitée à la durée de cette garantie écrite.** Cette garantie vous donne des droits légaux précis. Vous pouvez avoir d'autres droits qui varient selon l'endroit où vous habitez. Certaines provinces ne permettent pas les limitations sur les garanties implicites ou les dommages spéciaux ou indirects de telle sorte que les limitations ci-dessus ne s'appliquent peut-être pas à votre cas.

Ne pas retourner cet appareil au magasin lors d'une réclamation au titre de cette garantie. Téléphoner au 1.800.851.8900 aux É.-U. ou au 1.800.267.2826 au Canada ou visiter le site internet [www.hamiltonbeach.com](http://www.hamiltonbeach.com) aux É.-U. ou [www.hamiltonbeach.ca](http://www.hamiltonbeach.ca) au Canada. Pour un service plus rapide, trouvez le numéro de modèle, le type d'appareil et les numéros de série sur votre appareil.

# ADVERTENCIA



## Peligro de Incendio.

- Si los contenidos se prenden fuego, no abra la puerta del horno. Desenchufe el horno y espere que los contenidos dejen de quemarse y que se enfríen antes de abrir la puerta.
- No haga funcionar sin atención mientras se encuentre en el modo Broil (asar).
- No utilice con bolsas de cocción para horno.
- No caliente tacos duros en el horno tostador. Siempre use el horno convencional.
- Siempre deje por lo menos una pulgada entre los alimentos y el elemento calentador.
- Siempre desenchufe la tostadora cuando no la esté usando.
- Una limpieza regular reduce el riesgo de peligro de incendio.

## SALVAGUARDIAS IMPORTANTES

Cuando utilice artefactos eléctricos, siempre deben seguirse precauciones de seguridad básicas a fin de reducir el riesgo de incendio, descarga eléctrica, y/o lesiones a personas, incluyendo las siguientes:

1. Lea todas las instrucciones.
2. Este aparato no se destina para utilizarse por personas (incluyendo niños) cuyas capacidades físicas, sensoriales o mentales sean diferentes o estén reducidas, o carezcan de experiencia o conocimiento, a menos que dichas personas reciban una supervisión o capacitación para el funcionamiento del aparato por una persona responsable de su seguridad.
3. Se requiere de una estrecha supervisión cuando el aparato se use cerca de niños. Los niños deben supervisarse para asegurar que ellos no empleen los aparatos como juguete.
4. Verifique que el voltaje de su instalación corresponda con el del producto.
5. No toque superficies calientes. Use manijas o perillas.
6. Para protegerse contra el riesgo de choque eléctrico, no sumerja el cable, el enchufe o el horno eléctrico en agua ni en ningún otro líquido.
7. Desenchúfelo del tomacorriente cuando no lo esté usando y antes de la limpieza. Deje que el aparato se enfríe antes de limpiarlo o de colocar o sacar alguna pieza.
8. No opere ningún aparato con cables o enchufe dañados o después de que el aparato funcione mal o se caiga o dañe de cualquier manera. El reemplazo del cable de suministro y las reparaciones deben ser efectuadas por el fabricante, su agente de servicio, o personas igualmente calificadas para poder evitar un peligro. Llame al número de servicio al cliente proporcionado para información sobre examinación, reparación o ajuste.
9. El uso de accesorios no recomendados por fabricante de electrodomésticos puede causar lesiones.
10. No lo use al aire libre.
11. No deje que el cable cuelgue sobre el borde de una mesa o de un mostrador, o que toque alguna superficie caliente.
12. No coloque el aparato sobre o cerca de un quemador a gas o eléctrico caliente, ni dentro de un horno caliente.
13. Es importante tener extremo cuidado cuando se mueva un aparato eléctrico que contenga aceite caliente u otros líquidos calientes.
14. Para desconectar, coloque todos los controles en la posición de OFF (O/apagado) y luego saque el enchufe del tomacorriente.

15. Tenga mucho cuidado cuando saque la charola o elimine la grasa caliente.
16. No limpie con esponjillas metálicas. La esponjilla se puede desintegrar y los trozos pueden tocar las partes eléctricas, creando un riesgo de choque eléctrico.
17. No introduzca alimentos de tamaño demasiado grande ni utensilios metálicos en el horno eléctrico ya que pueden crear un incendio o riesgo de choque eléctrico.
18. El pan puede arder. Puede ocurrir un incendio si el tostador está cubierto o en contacto con material inflamable como cortinas, paredes, armarios por encima, productos de papel o de plástico, toallas de tela u objetos semejantes, cuando está en operación.
19. Se debe tener mucho cuidado cuando se usan envases que no sean de metal o de vidrio.
20. No guarde ningún material adentro del horno cuando no se use, exceptuando los accesorios recomendados por el fabricante.
21. No coloque ninguno de los siguientes materiales en el horno: papel, cartón, plástico y similares.
22. No cubra la charola de migajas ni ninguna otra parte del horno con papel metálico. Eso hará que el horno se recaliente.
23. Para apagar el horno, coloque el Temporizador en la posición de OFF (O/apagado). Consulte la sección "Partes y Características".
24. No ponga los ojos o la cara cerca de la puerta de seguridad de vidrio templado, en caso de que el vidrio de seguridad se rompa.
25. Siempre use el aparato con la charola de migajas firmemente en su lugar.
26. No use el aparato eléctrico para ningún otro fin que no sea el indicado.
27. Limpie con cuidado el interior del horno. No raye ni dañe el tubo del elemento de calentamiento.
28. No haga funcionar el artefacto mediante mediante un temporizador externo o un sistema de control remoto separado.

## GUARDE ESTAS INSTRUCCIONES

### Otra Información de Seguridad para el Cliente

**Este aparato ha sido diseñado solamente para uso doméstico.**

**⚠ ADVERTENCIA Peligro de Descarga Eléctrica:** Este aparato es provisto con un enchufe polarizado (una pata más ancha) para reducir el riesgo de una descarga eléctrica. El enchufe embona únicamente en una dirección dentro de un tomacorriente polarizado. No trate de obviar el propósito de seguridad del enchufe modificándolo de alguna manera o utilizando un adaptador. Si el enchufe no entra completamente en la toma, invierta el enchufe. Si aún no entra, haga que un electricista reemplace la toma.

El largo del cable que se usa en este aparato fue seleccionado para reducir el peligro de que alguien se enganche o tropiece con un cable más largo. Si es necesario usar un cable más largo, se podrá usar un cable de extensión aprobado. La clasificación eléctrica nominal del cable de extensión debe ser igual o mayor que la

clasificación nominal del aparato. Es importante tener cuidado de colocar el cable de extensión para que no se pliegue sobre el mostrador o la mesera en donde niños puedan tirar del mismo o tropezarse accidentalmente.

Este aparato viene equipado con una puerta de seguridad de vidrio totalmente templado. El vidrio templado es cuatro veces más fuerte que el vidrio común y más resistente a las roturas. El vidrio templado se puede romper, sin embargo se rompe en trozos sin bordes filosos. Es importante tener cuidado para evitar rayar la superficie de la puerta o hacer muescas en los bordes. Si la puerta está rayada o tiene muescas, llame a nuestro número gratuito de servicio al cliente.

Siempre desenchufe el horno eléctrico del tomacorriente cuando no lo esté usando.

# Partes y Características

Para ordenar partes:

EE. UU.: 1.800.851.8900

www.hamiltonbeach.com

México: 01 800 71 16 100

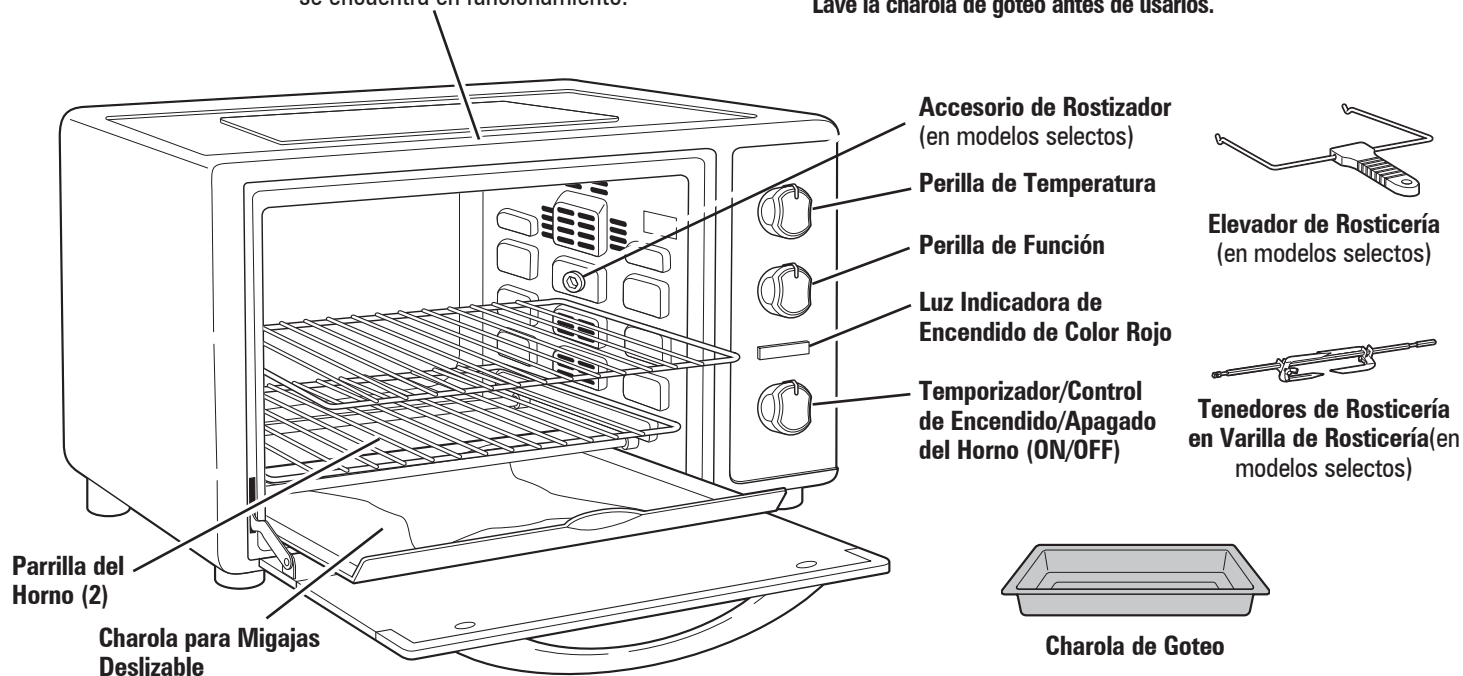


## PRECAUCIÓN: SUPERFICIE

**CALIENTE.** La temperatura de las superficies accesibles puede ser alta cuando el artefacto se encuentra en funcionamiento.

## ANTES DEL PRIMER USO

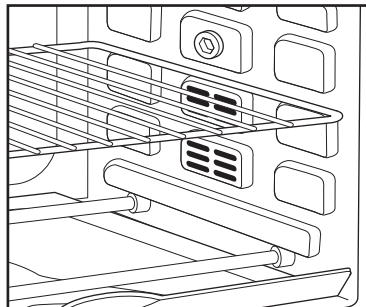
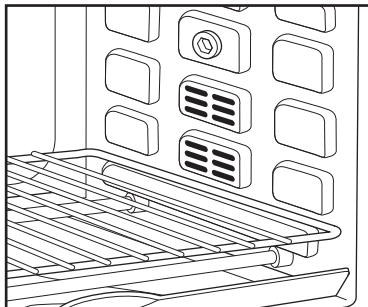
La mayoría de los aparatos calentadores producen olor y/o humo cuando se utilizan por primera vez. Enchufe la unidad en el tomacorriente. Gire la perilla de FUNCIÓN a BAKE (hornear) y gire la perilla de TEMPERATURA a 450°F (230°C). Gire el TIMER (temporizador) pase los 40 minutos y luego vuelva al tiempo de horneado deseado o gire el TIMER a STAY ON (dejar encendido). Deje que el horno se precaliente durante aproximadamente 5 minutos. El olor no debe estar presente después de este precalentamiento inicial. **Lave la charola de goteo antes de usarlos.**



# Partes y Características (cont.)

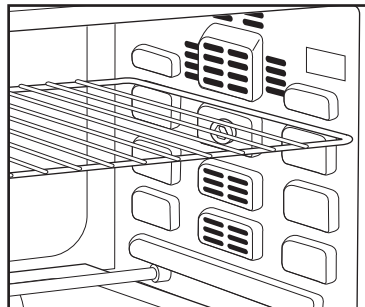
## HORNEAR

Coloque los alimentos en el centro del horno. Parrilla inferior para que entren alimentos más grandes.



## ASAR

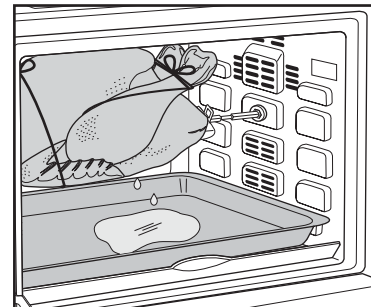
Coloque el estante del horno en la posición alta.



## ROSTIZADOR

(en modelos selectos)

Quite ambas parrillas del horno. Coloque la charola de goteo en la posición más baja para recoger salpicaduras.



## Consejos

- Cuando utilice la charola de goteo, la temperatura debe configurarse en 25 grados (14°C) menos que las instrucciones indicadas en la receta.
- Nunca coloque bandejas para hornear de vidrio o recipientes de vidrio para guisos en un horno para mostrador u horno tostador. Consulte las instrucciones del fabricante sobre la clasificación de seguridad del horno.
- No cubra la charola para migajas o cualquier otra parte del horno con papel metálico. Esto provocará el sobrecalentamiento del horno. Resulta aceptable utilizar papel metálico para cubrir un guiso durante la cocción.



## Charola de Goteo

Esta parrilla se coloca en la posición más baja para recolectar las salpicaduras.

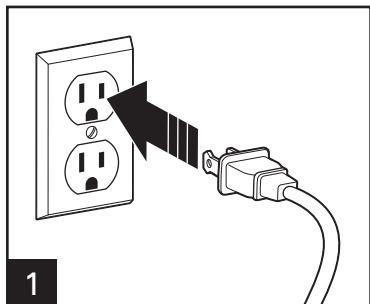


# Cómo Cocinar

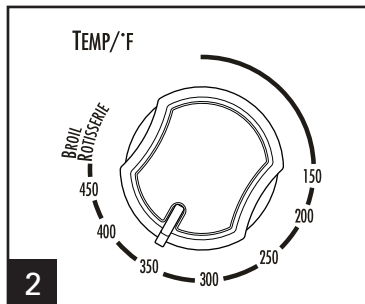
## ⚠ **ADVERTENCIA** Riesgo de Fuego.

- Si el contenido prende fuego no abra la puerta del horno. Desconecte el horno y deje que el contenido deje de quemarse y se enfríe antes de abrir la puerta.

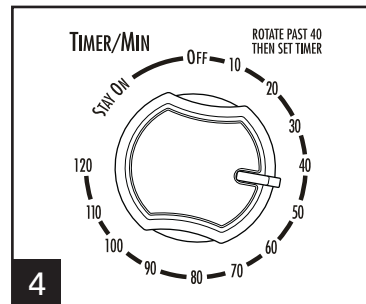
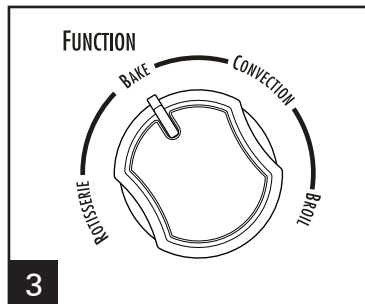
- No use bolsas para cocinar en horno.
- Siempre deje por los menos 1 pulgada (2.5 cm) entre la comida y el elemento de calor.
- Siempre desconecte el horno cuando no esté en uso.



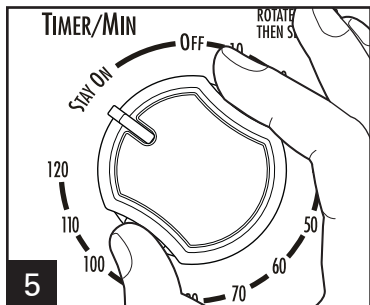
Enchufe en el tomacorriente.



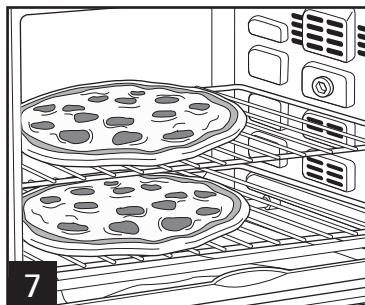
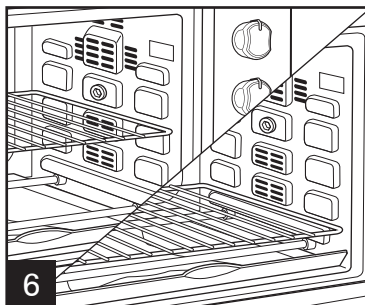
Configure la **TEMPERATURA**: Gire la perilla de temperatura hasta alcanzar la temperatura deseada. Configure la **FUNCIÓN** en **BAKE** (hornear).



**PRECALENTAR**: Gire **TIMER** (temporizador) pasando los 40 minutos, luego vuelva a 10 minutos para precalentar antes de comenzar a hornear.



**HORNEAR**: Después de precalentar el horno, configure el Temporizador en el tiempo deseado pasando 40 y luego volviendo al tiempo deseado o gire el temporizador a **STAY ON** (dejar encendido) mientras presiona y sostiene los botones del lado del marcador. Coloque los alimentos en el centro del horno. La posición de las parrillas cambia en relación al tamaño de los alimentos.



**PARA 2 PIZZAS**: Coloque las rejillas en la ranura inferior de la parrilla y en la tercera ranura (desde abajo). Precaliente el horno; luego coloque las pizzas en las rejillas. Cocine durante la mitad del tiempo recomendado; luego cambie las posiciones de las rejillas para cocinar las pizzas en forma pareja en la parte superior a inferior. Desenchufe el horno.

# Consejos para Hornear

- No encierre completamente el alimento en papel aluminio. El papel puede aislar el alimento y retardar el calentamiento.
- Para recalentar rollos o bisquets, coloque en el sartén de cocción y caliente a 300°F (149°C) por 10 minutos.
- Recaliente los rostizados o cacerolas a 350°F (177°C) o por 20 a 30 minutos o hasta que esté bien calentado.
- Cocine alimentos tales como pollo entero en el **POSICIÓN BAJA DE LA REJILLA**. Coloque el alimento en la bandeja para hornear.

TEMPERATURA	ALIMENTO	TIEMPOS DE HORNEADO APROX.	TEMPERATURAS INTERNAS	
			F	C
350°F/177°C	3 (6 oz [170 g] cada una) Pechugas de Pollo Deshuesadas y Sin Piel	35 a 45 minutos dependiendo del grosor	165°	74°
375°F/190°C	2 (8 oz [227 g] cada uno) Filetes de Pescado de 3/4" (1.9 cm) de Grosor	15 a 20 minutos dependiendo del grosor	145°	63°

## CONSEJOS PARA UTILIZAR EL HORNEADO POR CONVECCIÓN

**NOTA:** El horneado por convección hace circular el aire dentro del horno, por lo que los alimentos se cocinan más rápido que con la configuración de horneado convencional.

- Hornee con la misma temperatura del horno pero por un período de tiempo más corto. Los tiempos de cocción se verán reducidos en un 25%.  
○
- Hornee por el mismo período de tiempo que con la configuración de horneado convencional, pero reduzca la temperatura en alrededor de 25 grados (14°C).  
○
- Hornee por un período de tiempo un poco menor Y con una temperatura reducida.

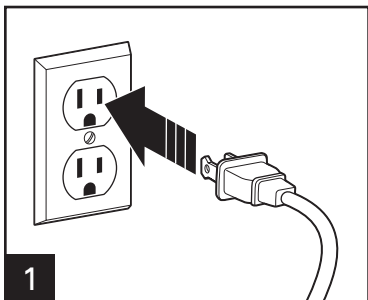
Hornos con modo por convección: Cuando hornee pizzas, utilice la configuración por convección y reduzca el tiempo de cocción en 25%.

# Horneado por Convección

## ⚠️ ADVERTENCIA Riesgo de Fuego.

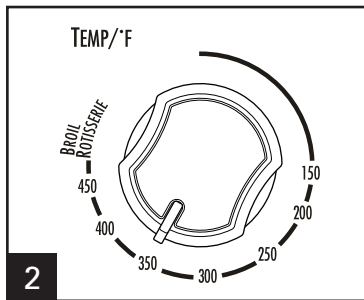
- Si el contenido prende fuego no abra la puerta del horno. Desconecte el horno y deje que el contenido deje de quemarse y se enfríe antes de abrir la puerta.

- No use bolsas para cocinar en horno.
- Siempre deje por los menos 1 pulgada (2.5 cm) entre la comida y el elemento de calor.
- Siempre desconecte el horno cuando no esté en uso.



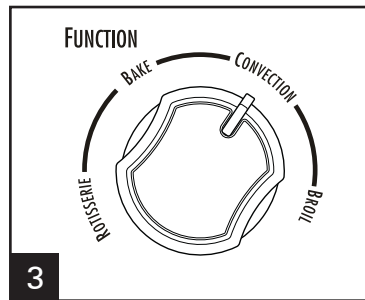
1

Enchufe en el tomacorriente.

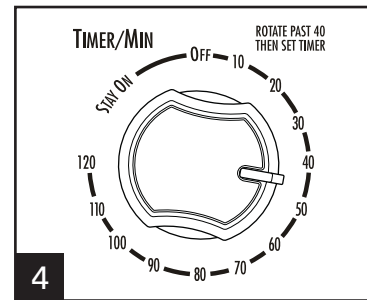


2

Configure la TEMPERATURA: Gire la perilla de temperatura hasta alcanzar la temperatura deseada. Configure la FUNCIÓN en CONVECTION (convección).

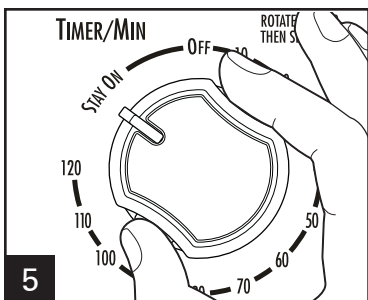


3



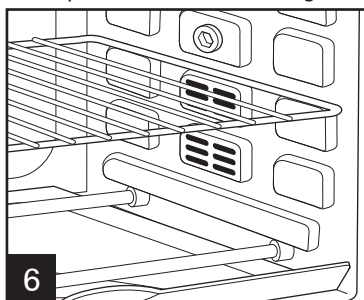
4

PRECALENTAR: Gire TIMER (temporizador) pasando los 40 minutos, luego vuelva a 10 minutos para precalentar antes de comenzar a hornear.

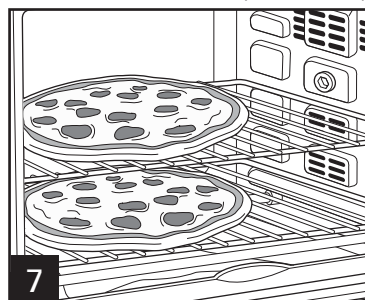


5

HORNEAR: Después de precalentar el horno, configure el Temporizador en el tiempo deseado pasando 40 y luego volviendo al tiempo deseado o gire el temporizador a **STAY ON** (dejar encendido) mientras presiona y sostiene los botones del lado del marcador. Coloque los alimentos en el centro del horno. La posición de las parrillas cambia en relación al tamaño de los alimentos.



6



7

PARA 2 PIZZAS: Coloque las rejillas en la ranura inferior de la parrilla y en la tercera ranura (desde abajo). Precaliente el horno; luego coloque las pizzas en las rejillas. Cocine durante la mitad del tiempo recomendado; luego cambie las posiciones de las rejillas para cocinar las pizzas en forma pareja en la parte superior a inferior. Desenchufe el horno.

# Cómo Asar

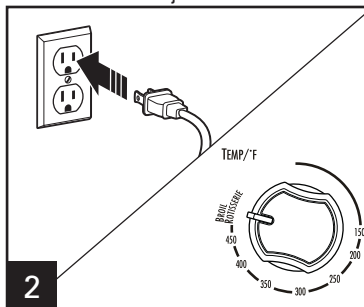
## ⚠ ADVERTENCIA Riesgo de Fuego.

- Si el contenido prende fuego no abra la puerta del horno. Desconecte el horno y deje que el contenido deje de quemarse y se enfríe antes de abrir la puerta.
- No deje el horno desatendido mientras está en operación.

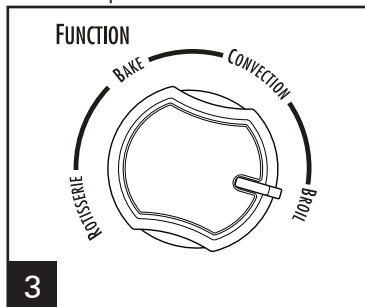
- No use bolsas para cocinar en horno.
- Siempre deje por los menos 1 pulgada (2.5 cm) entre la comida y el elemento de calor.
- No caliente la comida en contenedores de plástico.
- Siga las instrucciones del fabricante del alimento.



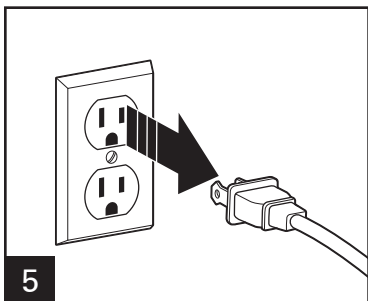
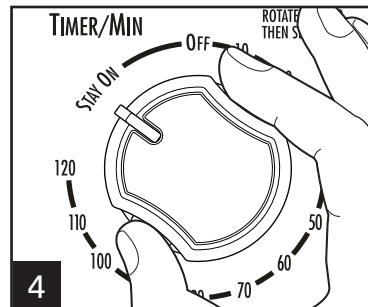
1 Deslice la parrilla en la posición superior. Coloque los alimentos directamente en la bandeja para hornear pequeña o en la parrilla para asar dentro de la bandeja para hornear pequeña. Coloque la bandeja sobre la parrilla (como se señala) dentro del horno. **NO PRECALIENTE.**



2 Configure la TEMPERATURA: Gire la perilla de temperatura a **BROIL/ROTISSERIE** (asar/roastador).



3 Configure la FUNCIÓN en **BROIL** (asar). **NOTA:** Sólo los elementos calentadores superiores se hallarán activados en el modo **BROIL** (asar). **ASAR:** Configure el Temporizador en el tiempo deseado pasando 40 y luego volviendo al tiempo deseado o gire el temporizador a **STAY ON** (dejar encendido) mientras presiona y sostiene los botones del lado del marcador. Gire los alimentos cuando se hayan dorado o en la mitad del tiempo de cocción.



5 Desenchufe.

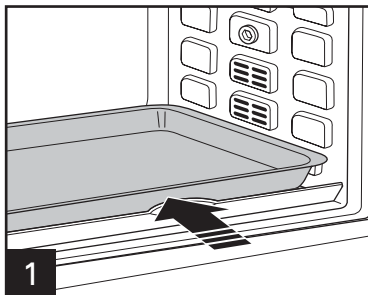
ALIMENTO	TIEMPO DE ASADO APROX.	TEMPERATURAS INTERNAS	
		F	C
Hamburguesas de 1/4 lb. (115 g)	14 a 16 minutos	145° poco cocido	63°
	18 a 20 minutos	160° medio	71°
	21 a 23 minutos	170° bien cocido	77°
Filete – Grosor de 1 pulg. (2.5 cm)	15 minutos	145° poco cocido	60°
	20 minutos	160° medio	71°
	25 minutos	170° bien cocido	77°

# Cocción con Rostizador

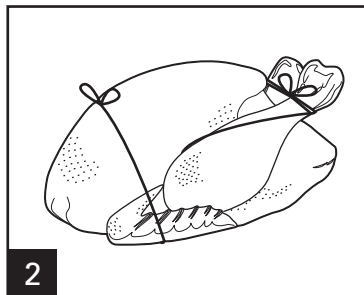
(en modelos selectos)

## ⚠️ **ADVERTENCIA** Riesgo de Fuego.

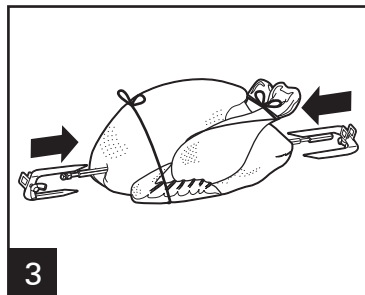
- Si el contenido prende fuego no abra la puerta del horno. Desconecte el horno y deje que el contenido deje de quemarse y se enfríe antes de abrir la puerta.
- No use bolsas para cocinar en horno.
- Siempre deje por los menos 1 pulgada (2.5 cm) entre la comida y el elemento de calor.
- Siempre desconecte el horno cuando no esté en uso.



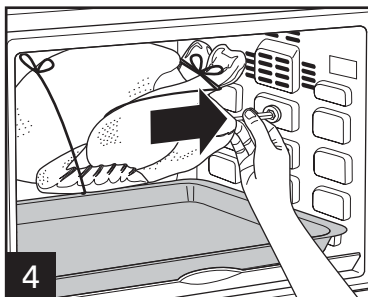
**1** Deslice la charola de goteo en la posición de parrilla más baja.



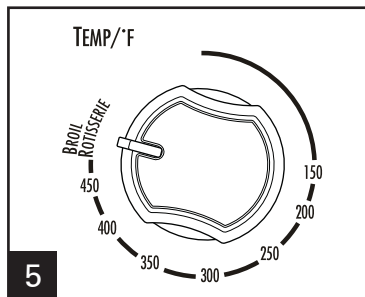
**2** Ate firmemente el pollo y los trozos grandes de carne con cordel de algodón para que la carne no toque la charola de goteo. Para obtener instrucciones sobre cómo atar un pollo, visite nuestro blog en [everydaygoodthinking.com](http://everydaygoodthinking.com) y busque "The Ultimate Guide to Trussing a Chicken." (La guía fundamental para atar un pollo).



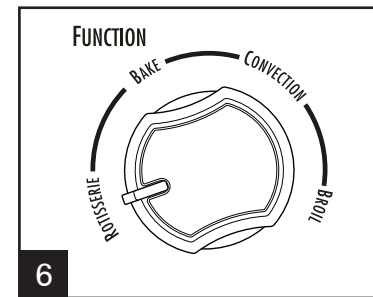
Inserte la varilla de rosticería en el centro de la carne. Coloque los tenedores de rosticería en la varilla con los tenedores insertados en la parte inferior del pollo. Centre la carne a lo largo en la varilla. Apriete los tornillos en los tenedores de rosticería.



**4** Introduzca manualmente el extremo con punta de la varilla en el accesorio de rostizador sobre el lado derecho del horno, girando la varilla si fuera necesario para que entre. Coloque el extremo cuadrado de la varilla dentro de la ranura del soporte sobre el lado izquierdo.

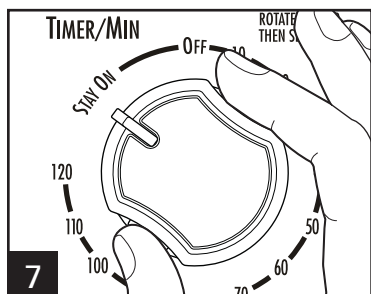


**5** Configure la **TEMPERATURA**: Gire la perilla de temperatura a **BROIL/ROTISSERIE** (asar/rostizador).

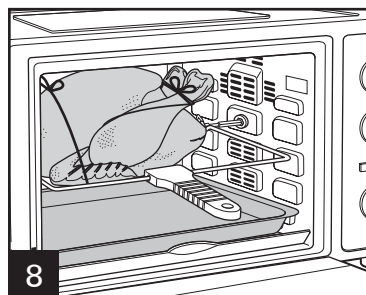


**6** Configure la **FUNCIÓN** en **ROTISSERIE** (rostizador).

# Cocción con Rostizador (en modelos selectos) (cont.)



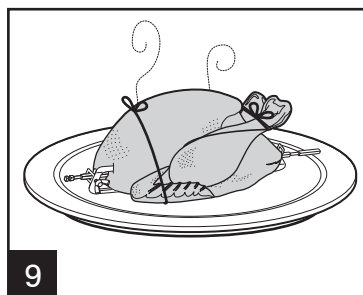
**7** HORNEAR: Configure el Temporizador en el tiempo deseado pasando 40 y luego volviendo al tiempo deseado o gire el temporizador a **STAY ON** (dejar encendido) mientras presiona y sostiene los botones del lado del marcador. **NOTA:** Sólo los elementos calentadores superiores se hallarán activados en el modo **ROTISSERIE** (rostizador).



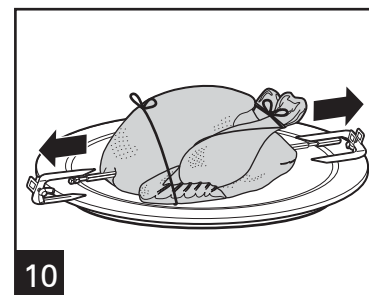
**8** Para sacar la carne cocida del horno, coloque el elevador de rosticería con los ganchos debajo de la varilla de rosticería. Levante y deslice la varilla de rosticería hacia la izquierda y sáquela del horno.

**⚠ PRECAUCIÓN Peligro de Quemaduras:** Evite el contacto con la parte interna del horno.

Coloque la carne sobre una superficie limpia para enfriarla ligeramente.

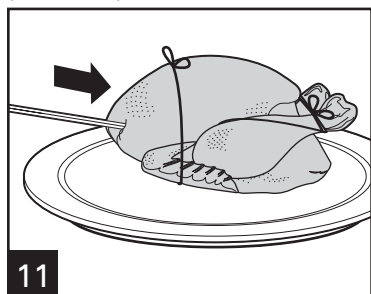


**9**



**10**

Usando guantes de cocina, desenrosque los tenedores del rostizador de la varilla del rosticería.



**11**

Deslice la carne en una charola para servir o en una superficie para cortar. Quite la varilla del rosticería y las ataduras antes de cortar la carne.

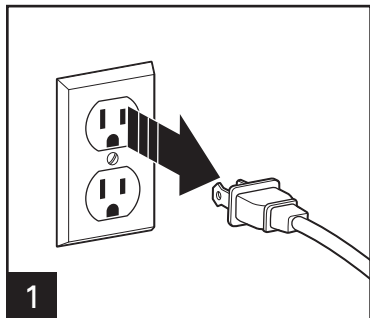
ALIMENTO	TIEMPOS DE HORNEADO APROX.	TEMPERATURAS INTERNAS	
		F	C
Asado de Cerdo de 3 a 3.5 lb (1350 a 1575 g)	1 hr. 30 min.	165° medio	74°
	2 horas	185° bien cocido	85°
Asado de Carne de Res de 3 a 3.5 lb (1350 a 1575 g)	1-1 hr. 15 min.	140° jugoso	60°
	1 hr. 30 min.	160° medio	71°
	1 hr. 45 min.	170° bien cocido	77°
Pollo de 5 lb (2250 g)	2 horas	165° muslo	74°

# Limpieza

**⚠ ADVERTENCIA Peligro de Descarga Eléctrica.**

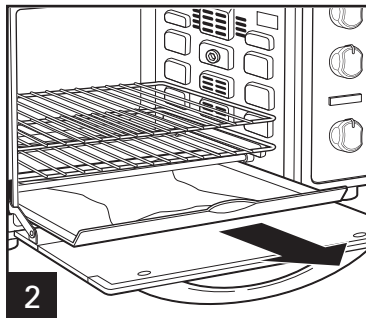
No limpie con estropajos metálicos. Las piezas pueden romper la almohadilla y tocar partes eléctricas.

Su horno debe limpiarse regularmente para un mejor desempeño y una larga vida. La limpieza regular también reducirá el riesgo de fuego.



1

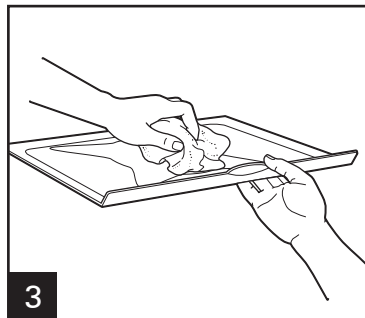
Desenchufe y deje que se enfríe antes de limpiarlo.



2

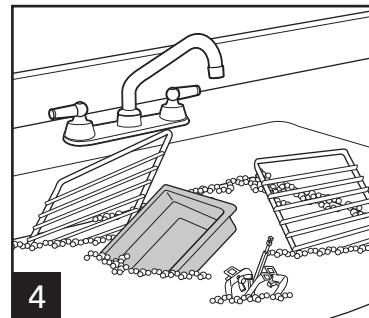
Para limpiar el interior del horno, limpie las paredes, parte inferior del horno y puerta de vidrio con un trapo húmedo y jabonoso. Repita con un trapo húmedo y limpio.

Para manchas persistentes, use un estropajo de plástico.



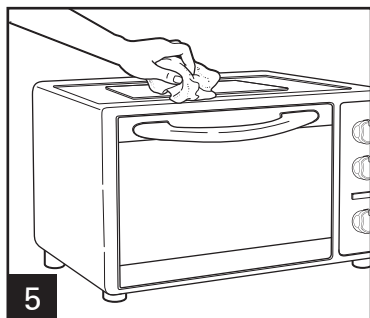
3

Limpie la charola para migajas con un paño húmedo jabonoso. No use limpiadores abrasivos o estropajos de metal.



4

Lavar y secar las piezas del horno a mano prolongará su vida útil.



5

Limpie la parte exterior del horno con un trapo húmedo. No use limpiadores abrasivos o estropajos de metal.

# Resolviendo Problemas

## PROBLEMA

## CAUSA PROBABLE/SOLUCIÓN

El horno no calienta.

- Revise para asegurarse que la toma eléctrica esté funcionando y el horno esté conectado. Gire la perilla de Temperatura a 350°F (180°C), gire la perilla de Función a Bake (cocinar), luego gire TIMER (temporizador) a Stay On (dejar encendido).

Sale un olor o humo del horno.

- El humo y olor es normal durante el primer uso de la mayoría de los aparatos con calor. Esto no estará presente después del periodo inicial de calentamiento.

Algunos alimentos se queman y algunas no se cocinan.

- Ajuste la posición de la rejilla del horno para centrar el alimento en el horno.
- Ajuste la temperatura del horno o tiempo de cocción para mejores resultados con sus recetas.

La charola de goteo no entra en la parrilla.

- La charola de goteo entra directamente en las ranuras. Utilícela para recoger salpicaduras mientras hornea o asa. No ase directamente en la charola de goteo.
- Consulte la sección "Partes y Características" para más detalles sobre las posiciones de las parrillas.



## GARANTÍA PARA PRODUCTOS COMPRADOS EN MÉXICO

PRODUCTO:	MARCA:	MODELO:
-----------	--------	---------

Grupo HB PS, S.A. de C.V. cuenta con una Red de Centros de Servicio Autorizada, por favor consulte en la lista anexa el nombre y dirección de los establecimientos en la República Mexicana en donde usted podrá hacer efectiva la garantía, obtener partes, componentes, consumibles y accesorios; así como también obtener servicio para productos fuera de garantía. Para mayor información llame sin costo: **Centro de Atención al consumidor: 01 800 71 16 100**

Grupo HB PS, S.A. de C.V. le otorga a partir de la fecha de compra:  
**GARANTÍA DE 1 AÑO.**

### COBERTURA

- Esta garantía ampara, todas las piezas y componentes del producto que resulten con defecto de fabricación incluyendo la mano de obra.
- Grupo HB PS, S.A. de C.V. se obliga a reemplazar, reparar o reponer, cualquier pieza o componente defectuoso; proporcionar la mano de obra necesaria para su diagnóstico y reparación, todo lo anterior sin costo adicional para el consumidor.
- Esta garantía incluye los gastos de transportación del producto que deriven de su cumplimiento dentro de su red de servicio.

### LIMITACIONES

- Esta garantía no ampara el reemplazo de piezas deterioradas por uso o por desgaste normal, como son: cuchillas, vasos, filtros, etc.
- Grupo HB PS, S.A. de C.V. no se hace responsable por los accidentes producidos a consecuencia de una instalación eléctrica defectuosa, ausencia de toma de tierra, clavija de enchufe en mal estado, etc.

### EXCEPCIONES

Esta garantía no será efectiva en los siguientes casos:

- a) Cuando el producto se hubiese utilizado en condiciones distintas a las normales. (Uso industrial, semi-industrial o comercial.)
- b) Cuando el producto no hubiese sido operado de acuerdo con el instructivo de uso.
- c) Cuando el producto hubiese sido alterado o reparado por personas no autorizadas por Grupo HB PS, S.A. de C.V. el fabricante nacional, importador o comercializador responsable respectivo.

El consumidor puede solicitar que se haga efectiva la garantía ante la propia casa comercial donde adquirió su producto, siempre y cuando Grupo HB PS, S.A. de C.V. no cuente con talleres de servicio.

**PROCEDIMIENTO PARA HACER EFECTIVA LA GARANTÍA**

- Para hacer efectiva la garantía, lleve su aparato al Centro de Servicio Autorizado más cercano a su domicilio (consulte la lista anexa).
- Si no existe Centro de Servicio Autorizado en su localidad llame a nuestro Centro de Atención al Consumidor para recibir instrucciones de como hacer efectiva su garantía.

FECHA DE ENTREGA	SELLO DEL VENDEDOR	QUEJAS Y SUGERENCIAS
DÍA__ MES__ AÑO__		Si desea hacer comentarios o sugerencias con respecto a nuestro servicio o tiene alguna queja derivada de la atención recibida en alguno de nuestros Centros de Servicio Autorizados, por favor dirigirse a: <b>GERENCIA INTERNACIONAL DE SERVICIO</b> 01 800 71 16 100 Email: <a href="mailto:mexico.service@hamiltonbeach.com">mexico.service@hamiltonbeach.com</a>

**CENTROS DE SERVICIO AUTORIZADOS**

**Ciudad de México**

ELECTRODOMÉSTICOS  
Av. Plutarco Elias Calles, No. 1499  
Zacahuiztco, Ciudad de México, C.P. 09490  
Tel: 01 55 5235 2323

**CASA GARCÍA**

Av. Patriotismo No. 875-B  
Mixcoac, Ciudad de México, C.P. 03910  
Tel: 01 55 5563 8723

**Nuevo León**

FERNANDO SEPÚLVEDA REFACCIONES  
Ruperto Martínez No. 238 Ote.  
Centro MONTERREY, 64000 N.L.  
Tel: 01 81 8343 6700

**Jalisco**

SERVICIOS DE MANTENIMIENTO CASTILLO  
Garibaldi No. 1450  
Ladrón de Guevara  
GUADALAJARA 44660 Jal.  
Tel: 01 33 3825 3480

**Modelos:**  
31106, 31108

**Tipo:**  
O51

**Características Eléctricas:**  
120 V~ 60 Hz 1500 W

Los modelos incluidos en el instructivo de Uso y Cuidado pueden ir seguidos o no por un sufijo correspondiente a una o varias letras del alfabeto y sus combinaciones, separadas o no por un espacio, coma, diagonal, o guión. Como ejemplos los sufijos pueden ser: "Y" y/o "MX" y/o "MXY" y/o "Z".

# Notas

# Notas