

**READ BEFORE USE
LIRE AVANT UTILISATION
LEA ANTES DE USAR**

Visit www.hamiltonbeach.com for our complete line of products and Use and Care Guides – as well as delicious recipes, tips, and to register your product online.

Rendez-vous sur www.hamiltonbeach.ca pour notre liste complète de produits et de nos manuels utilisateur – ainsi que nos délicieuses recettes et nos conseils .

Visite www.hamiltonbeach.com (EE. UU.) o www.hamiltonbeach.com.mx (México) para ver otros productos de Hamilton Beach o para contactarnos.

Questions

Please call us – our friendly associates are ready to help.

USA: 1.800.851.8900

Questions

N'hésitez pas à nous appeler – nos associés s'empresseront de vous aider.

CAN : 1.800.267.2826

Preguntas

Por favor llámenos – nuestros amables representantes están listos para ayudar.

EE. UU.: 1.800.851.8900

MEX: 01 800 71 16 100

Le invitamos a leer cuidadosamente este instructivo antes de usar su aparato.

Hamilton Beach®

Slow Cooker Mijoteuse Olla de Cocción Lenta



English	2
Français	11
Español	21

IMPORTANT SAFEGUARDS

When using electrical appliances, basic safety precautions should always be followed to reduce the risk of fire, electric shock, and/or injury to persons, including the following:

1. Read all instructions.
2. This appliance is not intended for use by persons (including children) with reduced physical, sensory, or mental capabilities, or lack of experience and knowledge, unless they are closely supervised and instructed concerning use of the appliance by a person responsible for their safety.
3. Close supervision is necessary when any appliance is used by or near children. Children should be supervised to ensure that they do not play with the appliance.
4. Do not touch hot surfaces. Use handles or knobs.
5. To protect against electric shock, do not immerse cord, plug, or base in water or other liquid.
6. Unplug from outlet when not in use and before cleaning. Allow to cool before putting on or taking off parts.
7. Do not operate any appliance with a damaged supply cord or plug, or after the appliance malfunctions or has been dropped or damaged in any manner. Supply cord replacement and repairs must be conducted by the manufacturer, its service agent, or similarly qualified persons in order to avoid a hazard. Call the provided customer service number for information on examination, repair, or adjustment.
8. The use of accessory attachments not recommended by the appliance manufacturer may cause injuries.
9. Do not use outdoors.
10. Do not let cord hang over edge of table or counter, or touch hot surfaces, including stove.
11. Do not place removable crock or base on or near hot gas or an electric burner. Do not place slow cooker base in a heated oven.
12. Extreme caution must be used when moving an appliance containing hot oil or other hot liquids.
13. To disconnect slow cooker, turn control knob to OFF (O); then remove plug from wall outlet.
14. **CAUTION:** To prevent damage or shock hazard, do not cook in base. Cook only in removable crock.
15. Avoid sudden temperature changes, such as adding refrigerated foods into a heated removable crock.
16. Do not use appliance for other than intended use.

SAVE THESE INSTRUCTIONS

Other Consumer Safety Information

This appliance is intended for household use only.

This appliance is only intended for the preparation, cooking, and serving of foods. This appliance is not intended for use with any nonfood materials or products.

⚠ WARNING Electrical Shock Hazard: This appliance is provided with a polarized plug (one wide blade) to reduce the risk of electric shock. The plug fits only one way into a polarized outlet. Do not defeat the safety purpose of the plug by modifying the plug in any way or by using an adapter. If the plug does not fit fully into the outlet, reverse the plug. If it still does not fit, have an electrician replace the outlet.

The length of the cord used on this appliance was selected to reduce the hazards of becoming tangled in or tripping over a longer cord. If a longer cord is necessary, an approved extension cord may be used. The electrical rating of the extension cord must be equal to or greater than the rating of the appliance. Care must be taken to arrange the extension cord so that it will not drape over the countertop or tabletop where it can be pulled on by children or accidentally tripped over.

CROCK AND LID: PRECAUTIONS AND INFORMATION

- Please handle crock and lid carefully to ensure long life.
- Avoid sudden, extreme temperature changes. For example, do not place a hot lid or crock into cold water, or onto a wet surface.
- Avoid hitting crock or lid against faucet or other hard surfaces.
- Do not use crock or lid if chipped, cracked, or severely scratched.
- Do not use abrasive cleansers or metal scouring pads.
- The bottom of the crock is very rough and can damage the countertop. Use caution.
- The crock and lid can become very hot. Use caution. Do not place directly on any unprotected surface or countertop.
- The crock is microwave-safe and oven-proof, but never heat crock when empty. Never place crock on a burner or stove top.
- Do not place lid in a microwave oven, conventional oven, or on stove top.

REMOVING LID AND CROCK

When removing lid, tilt so that opening faces away from you to avoid being burned by steam.

The sides of the slow cooker's base get very warm because the heating elements are located here. Use handles on base if necessary. Use oven mitts to remove crock.

Parts and Features

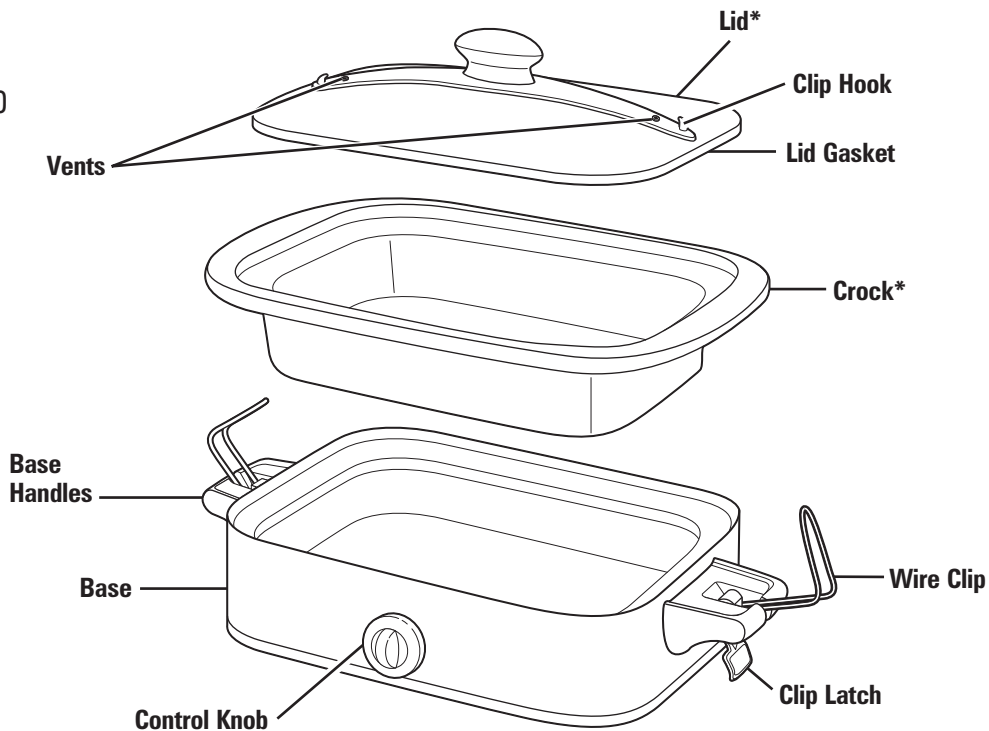
*To order parts:

US: 1.800.851.8900

www.hamiltonbeach.com

Canada: 1.800.267.2826

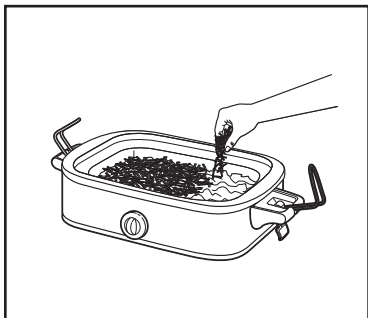
Mexico: 01 800 71 16 100



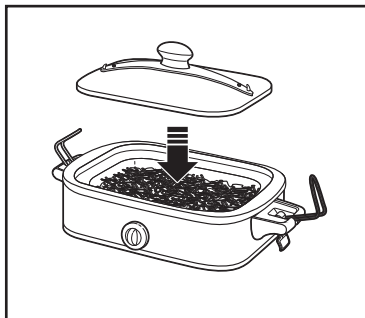
How to Use Your Slow Cooker

BEFORE FIRST USE: Wash glass lid and removable crock in hot, soapy water. Rinse and dry.

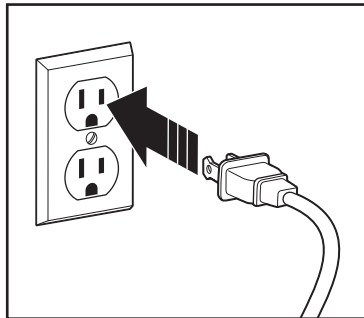
NOTE: This casserole slow cooker is meant to cook recipes like lasagna, dips, and cobblers. Recipes with a large proportion of liquid should be filled no more than halfway in the crock.



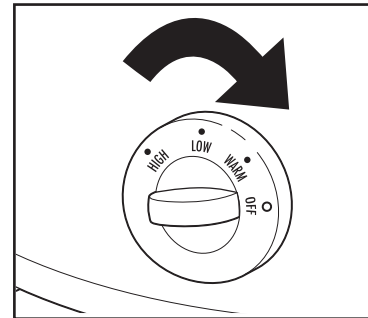
1. Add ingredients to the crock.



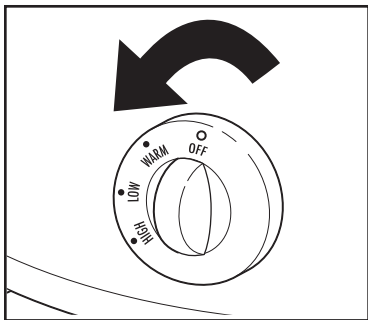
2. Cover.



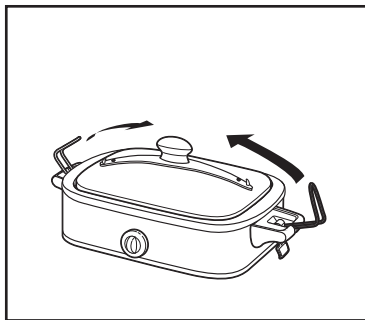
3. Plug into outlet.



4. Rotate control knob to **LOW** or **HIGH**. Do not cook on **WARM**.



5. When finished, turn **OFF** (○) and unplug.



6. Secure wire clips for transport.

NOTES:

- Food must be hot enough to prevent bacterial growth before using **WARM** setting.
- The **WARM** setting should only be used after a recipe has been thoroughly cooked.
- Do not reheat food on **WARM** setting.
- If food has been cooked and then refrigerated, reheat it on **LOW** or **HIGH**; then switch to **WARM**.
- Visit foodsafety.gov for more information.

Recipes

Lasagna

Ingredients:

- 1 pound (0.5 kg) hot or sweet Italian sausage, casings removed
- 1 medium onion, chopped
- 2 cloves garlic, chopped
- 2 jars (24 ounces each [680 g]) marinara sauce
- 3 teaspoons (15 ml) dried Italian Seasoning, divided
- 9 uncooked oven-ready lasagna noodles
- 1 container (15 ounces [425 g]) part-skim ricotta cheese
- 1 cup (237 ml) grated Parmesan cheese
- 2 large eggs, slightly beaten
- 4 cups (946 ml) shredded mozzarella cheese
- Chopped parsley

Directions:

1. In a large skillet over medium-high, cook sausage until browned and no longer pink; drain. Add onions and garlic to skillet and cook until just beginning to soften, about 3 minutes. Stir in marinara sauce and 2 teaspoons Italian seasoning.
2. Spread 1/2 cup of sauce mixture in bottom of slow cooker crock. Layer 3 lasagna noodles over sauce, breaking to fit.
3. In a medium bowl, mix ricotta cheese, Parmesan cheese, eggs and remaining Italian seasoning. Spread 1/3 of mixture over noodles in crock. Sprinkle with 1 cup mozzarella cheese. Repeat layers 2 more times, ending with sauce. Reserve remaining mozzarella cheese for top.
4. Cover slow cooker and cook on HIGH for 2 1/2 to 3 hours or on LOW for 6 to 6 1/2 hours.
5. Sprinkle with remaining mozzarella cheese and let stand until cheese is melted. Sprinkle with chopped parsley before serving.

Serves: 6–8

Chili and Cornbread Casserole

Ingredients:

- 1 pound (0.5 kg) lean ground beef
- 1 can (16 ounces [454 g]) dark red kidney beans, rinsed and drained
- 1 can (14.5 ounces [411 g]) diced tomatoes with onions and green pepper
- 1 can (10 ounces [283 g]) chunky diced tomatoes and green chilies
- 1 package (1.5 ounces [43 g]) chili seasoning mix
- 2 tablespoons (30 ml) tomato paste
- 1 package (8.5 ounces [241 g]) corn muffin mix
- 1 cup (237 ml) shredded sharp cheddar cheese
- Sour cream, optional
- Jalapeno slices, optional
- Green onion slices, optional

Directions:

1. In a large skillet over medium-high, brown ground beef. Drain and transfer to slow cooker crock.
2. Add kidney beans, tomatoes, chili seasoning mix and tomato paste to crock and mix until blended. Spread chili mixture in an even layer in crock.
3. In a medium bowl, prepare corn muffin mix following package directions. Spoon batter over chili in crock.
4. Cover slow cooker and cook on HIGH for 2 to 2 1/2 hours or LOW for 4 to 4 1/2 hours. Reduce to WARM. Sprinkle with cheese and let stand until melted, about 15 minutes. Top with sour cream, jalapeno slices and green onions, if desired.

Serves: 6–8

Recipes (cont.)

Apple Cranberry Cobbler

Ingredients:

APPLE FILLING

- 6 large Granny Smith apples, peeled, cored and thinly sliced
- 1 cup (237 ml) dried cranberries
- 1/3 cup (79 ml) all-purpose flour
- 1 cup (237 ml) sugar
- 1 1/2 teaspoons (7 ml) ground cinnamon

COBBLER TOPPING

- 1 cup (237 ml) plus 3 tablespoons (44 ml) all-purpose flour
- 1/4 cup (59 ml) sugar
- 1 teaspoon (5 ml) baking powder
- 1/4 teaspoon (1.2 ml) ground cinnamon
- 1/4 teaspoon (1.2 ml) salt
- 1/2 cup (118 ml) milk
- 3 tablespoons (44 ml) butter, melted

Directions:

1. In a slow cooker crock combine all apple filling ingredients. Stir until apples are evenly coated.
2. In a medium bowl, combine all cobbler topping ingredients. With a teaspoon or small scoop, drop dough on top of the apple mixture in the crock.
3. Cover slow cooker and cook on HIGH for 2 1/2 to 3 hours or LOW for 4 to 5 hours. Remove cover and let stand for 15 minutes before serving. Sprinkle with confectioners' sugar and serve with whipped cream or ice cream.

Serves: 8–10

Test Kitchen Tip: To save time cutting apples, use the ribbon cut of a spiralizer.

Care and Cleaning

1. Unplug.
2. Let completely cool.
3. Wipe the base with a soft, damp cloth.

⚠ WARNING Electrical Shock Hazard.

Disconnect power before cleaning. Do not immerse cord, plug, or base in any liquid.

4. The crock and lid can be washed in hot, soapy water or in the dishwasher. DO NOT use the "SANI" setting when washing in the dishwasher. "SANI" cycle temperatures could damage your product. To prevent lingering food smells, found in most plastic containers, clean rubber lid gasket with hot, soapy water after each use. Store with lid ajar.

Tips for Slow Cooking

- Stirring is not necessary when slow cooking. Removing the glass lid results in major heat loss and the cooking time may need to be extended. However, if cooking on **HIGH**, you may want to stir occasionally.
- Many recipes call for cooking all day. If your morning schedule doesn't allow time to prepare a recipe, do it the night before. Place all ingredients in removable crock, cover with lid, and refrigerate overnight. In the morning, simply place the removable crock in the slow cooker.
- Some foods are not suited for extended cooking in a slow cooker. Pasta, seafood, milk, cream, or sour cream should be added 2 hours before serving. Evaporated milk or condensed soups are perfect for slow cooking.
- Slow cookers allow for very little evaporation. If making your favorite soup, stew, or sauce, reduce liquid called for in original recipe. If too thick, liquid can be added later.
- If cooking a vegetable-type casserole, there will need to be liquid in the recipe to prevent scorching on the sides of the removable crock.
- Reduce the amount of ingredients in a recipe calling for a larger slow cooker to accommodate the 3.5-quart crock.
- Flavors of fresh herbs and dried spices can lessen over cooking time. Add fresh herbs towards the end of the cooking time for the best flavor.

Food Safety Tips

- Do not use frozen, uncooked meat in the slow cooker. Thaw any meat or poultry before slow cooking.
- Visit www.foodsafety.gov for more information on safe internal cooking temperatures.
- To store leftovers after cooking, do NOT place the entire removable crock in the refrigerator since contents will take too long to cool. Instead, divide leftovers into smaller containers and place into refrigerator.

Troubleshooting

Food is undercooked.

- Was food cooked on the **WARM** setting? Do not cook on **WARM**; always cook on **LOW** or **HIGH** heat settings.
- Was power interrupted?
- Did you select the **LOW** heat setting, but used a cooking time based on the **HIGH** heat setting?
- Did you have the glass lid placed correctly on the slow cooker?

My meal was overcooked. Why?

- Did you select hours based on a **LOW** heat recipe?
- Foods will continue to increase in temperature after desired temperature has been reached.

- Never allow undercooked or raw meat to sit at room temperature in the slow cooker. Once meat is placed into the removable crock, it should be cooked immediately (unless prepping slow cooker the night before, where crock should be placed into the refrigerator).

The food isn't done after cooking the amount of time recommended in my recipe.

- This can be due to voltage variations (which are commonplace everywhere) or altitude. The slight fluctuations in power do not have a noticeable effect on most appliances. However, it can alter the cooking times in the slow cooker. Lower than rated voltage will require longer cooking times and higher than rated voltage will require shorter cooking times. You will learn through experience if a shorter or longer time is needed.

Lid gasket collapsed.

- This can be caused by sudden temperature change, like running cold water over a warm lid. Allow lid to sit at room temperature. It will return to its original shape within 24 hours.
- To help maintain shape of gasket, do not cook with clips latched and do not store empty unit with clips latched.

Limited Warranty

This warranty applies to products purchased and used in the U.S. and Canada. This is the only express warranty for this product and is in lieu of any other warranty or condition.

This product is warranted to be free from defects in material and workmanship for a period of five (5) years from the date of original purchase in Canada and one (1) year from the date of original purchase in the U.S. During this period, your exclusive remedy is repair or replacement of this product or any component found to be defective, at our option; however, you are responsible for all costs associated with returning the product to us and our returning a product or component under this warranty to you. If the product or component is no longer available, we will replace with a similar one of equal or greater value.

This warranty does not cover glass, filters, wear from normal use, use not in conformity with the printed directions, or damage to the product resulting from accident, alteration, abuse, or misuse. This warranty extends only to the original consumer purchaser or gift recipient. Keep the original sales receipt, as proof of purchase is required to make a warranty claim. This warranty is void if the product is used for other than single-family household use or subjected to any voltage and waveform other than as specified on the rating label (e.g., 120 V ~ 60 Hz).

We exclude all claims for special, incidental, and consequential damages caused by breach of express or implied warranty. All liability is limited to the amount of the purchase price. **Every implied warranty, including any statutory warranty or condition of merchantability or fitness for a particular purpose, is disclaimed except to the extent prohibited by law, in which case such warranty or condition is limited to the duration of this written warranty.** This warranty gives you specific legal rights. You may have other legal rights that vary depending on where you live. Some states or provinces do not allow limitations on implied warranties or special, incidental, or consequential damages, so the foregoing limitations may not apply to you.

To make a warranty claim, do not return this appliance to the store. Please call 1.800.851.8900 in the U.S. or 1.800.267.2826 in Canada or visit hamiltonbeach.com in the U.S. or hamiltonbeach.ca in Canada. For faster service, locate the model, type, and series numbers on your appliance.

PRÉCAUTIONS IMPORTANTES

Pour utiliser un appareil électroménager, vous devez toujours prendre des mesures élémentaires de sécurité pour réduire le risque d'incendie, d'électrocution et/ou de blessure corporelle, en particulier les mesures suivantes :

1. Lire toutes les instructions.
2. Cet appareil n'est pas destiné à être utilisé par des personnes (y compris les enfants) dont les capacités physiques, sensorielles ou mentales sont réduites, ou manquant d'expérience et de connaissance, sauf si elles sont étroitement surveillées et instruites sur l'utilisation de l'appareil par une personne responsable de leur sécurité.
3. Une surveillance étroite est requise pour tout appareil utilisé par ou près des enfants. Surveiller que les enfants ne jouent pas avec l'appareil.
4. Ne pas toucher les surfaces chaudes. Utiliser les poignées ou les boutons.
5. Pour se protéger contre le risque de choc électrique, ne pas immerger le cordon, la fiche ou la base dans l'eau ou tout autre liquide.
6. Débrancher l'appareil de la prise de courant électrique lorsqu'il n'est pas utilisé et avant un nettoyage. Le laisser refroidir avant un nettoyage et avant d'y placer ou d'y enlever des pièces.
7. Ne pas faire fonctionner un appareil électroménager avec un cordon ou une fiche endommagée, ou lorsque l'appareil ne fonctionne pas bien ou a été échappé ou endommagé d'une manière quelconque. Le remplacement et la réparation du cordon d'alimentation doivent être faits par le fabricant, son agent de service ou toute personne qualifiée de façon à éviter tout danger. Appeler le numéro de service à la clientèle fourni pour des renseignements concernant l'examen, la réparation ou l'ajustement.
8. L'utilisation d'accessoires non recommandés par le fabricant de l'appareil peut causer des blessures.
9. Ne pas utiliser à l'extérieur.
10. Ne pas laisser le cordon pendre du bord d'une table ou d'un comptoir, ou toucher des surfaces chaudes, y compris la cuisinière.
11. Ne pas placer le pot amovible ou base sur ou près d'un brûleur à gaz chaud, ou d'un élément électrique. Ne pas placer la base de la mijoteuse dans un four chauffé.
12. Il est nécessaire de faire preuve de la plus grande prudence en déplaçant un appareil électroménager contenant de l'huile chaude ou d'autres liquides chauds.
13. Pour débrancher la mijoteuse, tourner le bouton de commande à ARRÊT (OFF/O), puis débrancher la fiche de la prise.
14. **MISE EN GARDE** : Afin de prévenir l'endommagement ou le risque de choc, ne pas cuire dans la base. Cuire seulement dans le plat amovible.
15. Éviter les changements soudains de température, tels que l'ajout de nourriture sortant du réfrigérateur dans un plat chauffé.
16. Ne pas utiliser l'appareil électroménager à une fin autre que celle prévue.

CONSERVEZ CES INSTRUCTIONS

Autre consigne de sécurité pour le consommateur

Cet appareil est destiné à un usage domestique uniquement.

Cet appareil est conçu uniquement pour préparer, faire cuire et servir des aliments. Cet appareil n'est pas conçu pour une utilisation avec toute autre matière ou produit non alimentaire.

⚠ AVERTISSEMENT Risque de choc électrique : Cet appareil est fourni avec une fiche polarisée (une broche large) pour réduire le risque d'électrocution. Cette fiche n'entre que dans un seul sens dans une prise polarisée. Ne contrecarrez pas l'objectif sécuritaire de cette fiche en la modifiant de quelque manière que ce soit ou en utilisant un adaptateur. Si vous ne pouvez pas insérer complètement la fiche dans la prise, inversez la fiche. Si elle refuse toujours de s'insérer, faire remplacer la prise par un électricien.

La longueur du cordon installé sur cet appareil a été sélectionnée afin de réduire les risques d'enchevêtrement ou de faux pas causés par un fil trop long. L'utilisation d'une rallonge approuvée est permise si le cordon est trop court. Les caractéristiques électriques de la rallonge doivent être équivalentes ou supérieures aux caractéristiques de l'appareil. Prendre toutes les précautions nécessaires pour installer la rallonge de manière à ne pas la faire courir sur le comptoir ou sur une table pour éviter qu'un enfant ne tire sur le cordon ou trébuche accidentellement.

COUVERCLE ET POT : PRÉCAUTIONS ET INFORMATION

- Veuillez manipuler le pot et le couvercle avec soin pour assurer leur durabilité.
- Évitez des changements de température brusques et extrêmes. Par exemple, ne placez pas un couvercle ou un pot chaud dans l'eau froide ou sur une surface mouillée.
- Évitez de frapper le pot et le couvercle sur le robinet ou sur toute surface rigide.
- N'utilisez pas le pot ou le couvercle si l'un ou l'autre est ébréché, fendillé ou très écorché.
- N'utilisez pas de nettoyeurs abrasifs ou de tampon métallique à récurer.
- La base du pot est très rugueuse et peut endommager un revêtement de comptoir. Faites preuve de prudence.
- Le pot et son couvercle peuvent devenir très chauds. Faites preuve de prudence. Ne les déposez pas directement sur une surface ou un revêtement de comptoir non protégés.
- Le pot peut aller au four à micro-ondes et au four régulier. Évitez, toutefois, de chauffer le pot lorsqu'il est vide.
- Ne placez jamais le couvercle sur un rond de poêle ou directement sur le poêle. Ne placez pas le couvercle dans le four à micro-ondes, dans le four conventionnel ou directement sur le poêle.

SOULÈVEMENT DU COUVERCLE ET DU POT

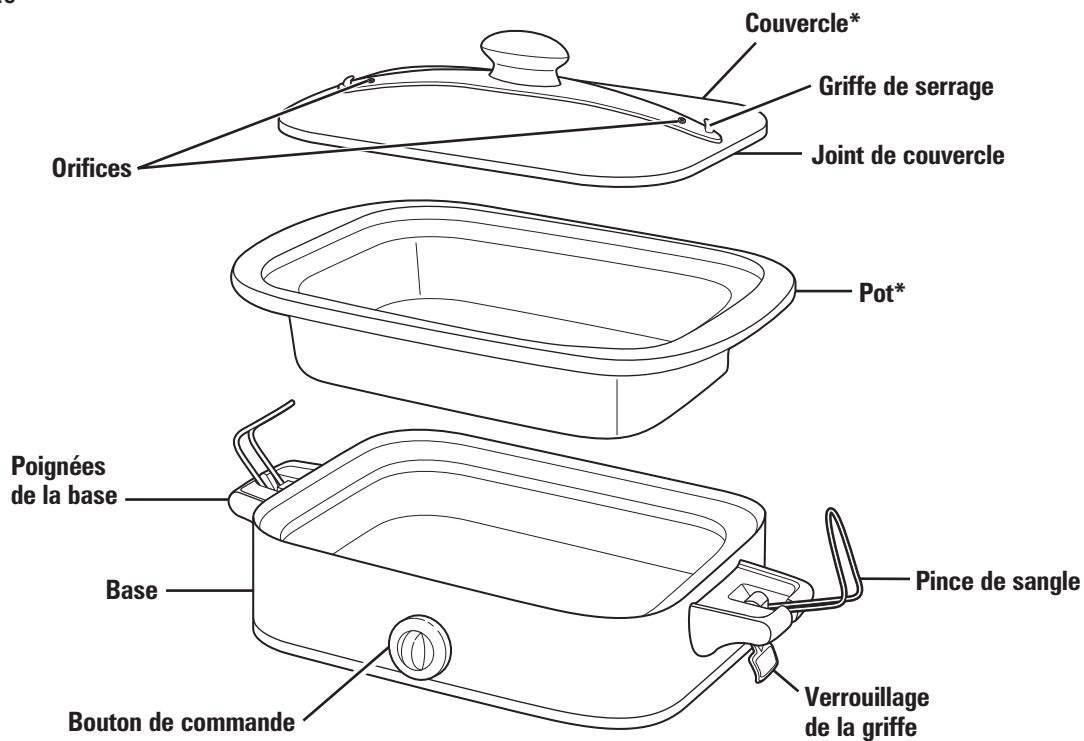
Soulevez le couvercle de façon à diriger les vapeurs loin de votre visage pour éviter de vous brûler.

Les côtés de la base de la mijoteuse deviennent très chauds car c'est là que se trouvent les éléments chauffants. Au besoin, utilisez les poignées sur la base. Utilisez des gants de cuisine pour retirer le pot.

Pièces et caractéristiques

*Pour commander des pièces :

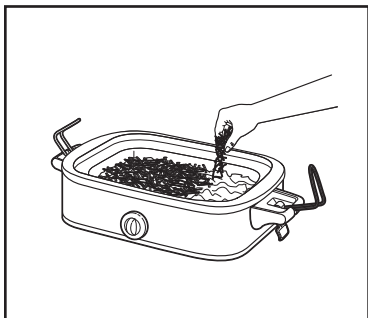
Canada : 1.800.267.2826



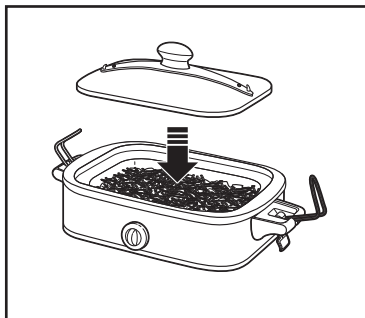
Utilisation de la mijoteuse

AVANT LA PREMIÈRE UTILISATION :
Laver le couvercle et le pot dans l'eau chaude savonneuse. Rincer et assécher.

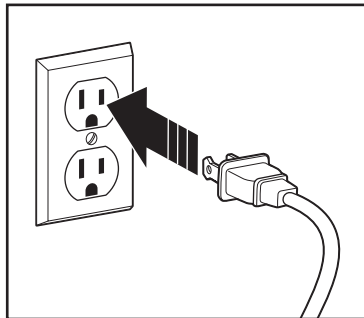
REMARQUE : Cette casserole mijoteuse a été conçue pour la cuisson de recettes comme des lasagnes, trempettes et cobblers. Certaines recettes contenant beaucoup de liquide il ne faut pas remplir la mijoteuse de liquide au-delà de la moitié de sa capacité.



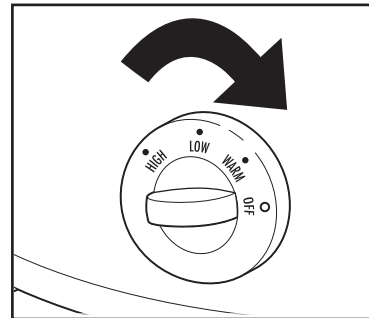
1. Mettre les ingrédients dans le pot.



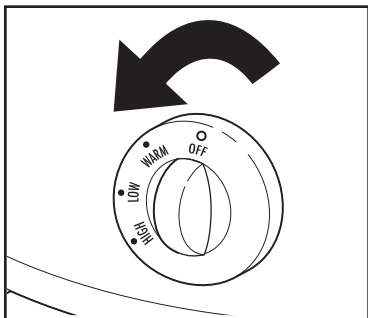
2. Couvrir.



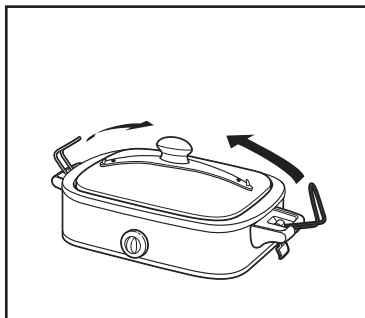
3. Brancher dans la prise de courant.



4. Tourner le bouton de commande à **LOW** (basse) ou **HIGH** (élevée). Ne pas cuire en utilisant le mode de **WARM** (chaud).



5. Lorsque la cuisson est terminée, tourner le bouton à **ARRÊT (OFF/O)** et débrancher.



6. Sécuriser les griffes de serrage pour le transport.

REMARQUES :

- Les aliments doivent être suffisamment chauds pour prévenir toute croissance bactérienne avant d'utiliser le réglage **WARM** (chaud).
- Le réglage **WARM** (chaud) ne doit être utilisé qu'après la cuisson complète des aliments.
- Ne réchauffez pas les aliments placés sous le réglage **WARM** (chaud).
- Si les aliments ont cuit et ont été réfrigérés, réchauffez-les à température **LOW** (basse) ou **HIGH** (élevée); passez ensuite au réglage **WARM** (chaud).
- Visitez le site Internet foodsafety.gov pour de plus amples informations.

Recettes

Lasagna

Ingrédients :

- 1 lb (0,5 kg) de saucisses italiennes douces sans boyau
- 1 oignon moyen haché
- 2 gousses d'ail hachées
- 2 pots de 24 oz (680 g) chacun de sauce marinara
- 3 c. à thé (15 ml) d'assaisonnement à l'italienne séché, divisées
- 9 nouilles à lasagne prêtes à cuire
- 1 pot de 15 oz (425 g) de fromage ricotta léger
- 1 tasse (237 ml) de fromage parmesan râpé
- 2 gros œufs légèrement battus
- 4 tasses (946 ml) de fromage mozzarella râpé
- Persil haché

Instructions :

1. Dans une grande poêle à frire à feu moyen, cuire les saucisses jusqu'à ce qu'elles soient dorées et perdues leur couleur rosée. Ajouter l'oignon et l'ail dans la poêle à frire et cuire jusqu'à tendreté, environ 3 minutes. Incorporer et mélanger à la sauce marinara et ajouter 2 c. à thé d'assaisonnement à l'italienne.
2. Étendre 1/2 tasse du mélange de sauce au fond du pot de la mijoteuse. Briser et déposer 3 nouilles à lasagne pour couvrir la sauce.
3. Dans un bol moyen, mélanger le fromage ricotta, le fromage parmesan, les œufs et le reste de l'assaisonnement à l'italienne. Étendre 1/3 du mélange sur les nouilles déposées dans le pot. Parsemer avec 1 tasse de fromage parmesan. Répéter cette étape 2 fois de plus pour finir avec la sauce. Réserver le reste du fromage mozzarella pour le dessus.
4. Couvrir la mijoteuse et cuire à intensité HIGH (élevée) pendant 2,5 à 3 heures ou à faible LOW (intensité) pendant 6 à 6,5 heures.
5. Parsemer le reste du fromage mozzarella et laisser reposer jusqu'à ce que le fromage soit fondu. Garnir de persil haché avant de servir.

6 à 8 portions

Casserole de chili et pain de maïs

Ingrédients :

- 1 lb (0,5 kg) de bœuf haché maigre
- 1 pot de 16 oz (454 g) d'haricots secs rouges foncés, rincés et égouttés
- 1 boîte de 14,5 oz (411 g) de tomates en dés avec oignons et poivron vert
- 1 boîte de 10 oz (283 g) de tomates en gros dés avec piments chilis
- 1 enveloppe de 1,5 oz (43 gr) d'assaisonnement pour chili
- 2 c. à table (30 ml) de pâte de tomate
- 1 enveloppe de 8,5 oz (241 g) de mélange à muffins au maïs
- 1 tasse (237 ml) de fromage cheddar fort râpé
- Crème sûre, facultative
- Tranches de piments jalapeno, facultatives
- Tranches d'oignon vert, facultatives

Instructions :

1. Dans une grande poêle à frire à feu moyen, faire brunir le bœuf haché. Égoutter et transférer dans le pot de la mijoteuse.
2. Ajouter les haricots secs, les tomates, l'assaisonnement pour chili et la pâte tomate dans le pot et bien mélanger. Parsemer uniformément le mélange de chili dans le pot.
3. Dans un bol moyen, préparer le mélange à muffins au maïs selon les directives sur l'emballage. Déposer le mélange à la cuillère sur le chili contenu dans le pot.
4. Couvrir la mijoteuse et cuire à intensité HIGH (élevée) pendant 2 à 2,5 heures ou à faible LOW (intensité) pendant 4 à 4,5 heures. Réduire l'intensité à WARM (garde au chaud). Parsemer le fromage et laisser reposer jusqu'à ce que le fromage soit fondu, environ 15 minutes. Garnir de crème sûre, tranches de piments jalapeno et d'oignon vert, au goût.

6 à 8 portions

Recettes (suite)

Cobbler canneberges et pommes

Ingrédients :

GARNITURE AUX POMMES

- 6 grosses pommes Granny Smith, pelées, sans le cœur et tranchées finement
- 1 tasse (237 ml) de canneberges séchées
- 1/3 de tasse (79 ml) de farine tout usage
- 1 tasse (237 ml) de sucre
- 1 1/2 c. à thé (7 ml) de cannelle moulue

GARNITURE POUR COBBLER

- 1 tasse (237 ml) et 3 c. à table (44 ml) de farine tout usage
- 1/4 tasse (59 ml) de sucre
- 1 c. à thé (5 ml) de poudre à pâte
- 1/4 c. à thé (1,2 ml) de cannelle moulue
- 1/4 c. à thé (1,2 ml) de sel
- 1/2 tasse (118 ml) de lait
- 3 c. à table (44 ml) de beurre fondu

Instructions :

1. Dans le pot de la mijoteuse, combiner les ingrédients de la garniture aux pommes. Bien mélanger pour enrober uniformément les pommes.
2. Dans un bol moyen, combiner tous les ingrédients de la garniture pour cobbler. Avec une cuillère à thé ou une petite cuillère, déposer la pâte sur le mélange de pommes contenu dans le pot.
3. Couvrir la mijoteuse et cuire à intensité HIGH (élevée) pendant 2,5 à 3 heures ou à faible LOW (intensité) pendant 4 à 5 heures. Retirer le couvercle et laisser reposer pendant 15 minutes avant de servir. Parsemer de sucre glace et servir avec de la crème fouettée ou de la crème glacée.

8 à 10 portions

Conseil de cuisson : Économiser du temps en coupant les pommes avec la lame à trancher d'un spiraleur.

Nettoyage et entretien

1. Débrancher.
2. Laisser refroidir complètement.
3. Essuyer la base avec un linge doux et humide.

⚠ AVERTISSEMENT Risque d'électrocution.

Débranchez l'appareil avant le nettoyage. N'immergez pas le cordon, la fiche ou la base dans tout autre liquide.

4. Le pot et le couvercle sont lavables dans l'eau chaude savonneuse ou au lave-vaisselle. NE PAS utiliser le réglage «SANI» du lave-vaisselle. Les températures du cycle «SANI» peuvent endommager le produit. Pour éviter les odeurs persistantes d'aliments comme celles que l'on retrouve dans la plupart des contenants de plastique, nettoyez le joint d'étanchéité en caoutchouc dans l'eau chaude savonneuse après chaque utilisation. Ranger sans fermer le couvercle.

Conseils pour cuisson à la mijoteuse

- Il n'est pas nécessaire de brasser les aliments dans la mijoteuse; le retrait du couvercle de verre entraîne une perte importante de chaleur, ce qui peut obliger à prolonger le temps de cuisson. Toutefois, si vous cuisinez à température **HIGH** (élevée), vous voudrez sans doute brasser les aliments de temps à autre.
- Plusieurs recettes exigent toute une journée de cuisson. Si votre horaire du matin ne vous permet pas de préparer la recette, cuisinez-la le soir précédent. Déposer tous les ingrédients dans le pot amovible, mettre le couvercle en place et réfrigérer toute la nuit. Le matin, déposer le pot amovible dans la mijoteuse.
- Certains aliments ne se prêtent pas bien à une cuisson prolongée à la mijoteuse. Verser les pâtes, les fruits de mer, le lait, la crème ou la crème sûre dans la mijoteuse 2 heures avant de servir la recette. Le lait évaporé et les soupes concentrées se prêtent bien à la cuisson à la mijoteuse.
- Peu d'évaporation se produit lors de cuisson à la mijoteuse. Lorsque vous préparez votre soupe, votre sauce ou votre ragoût préféré, réduire le volume de liquide indiqué dans la recette originale. Si le mélange est trop épais, vous pourrez ajouter du liquide éventuellement.
- Lorsque vous préparez une casserole de légumes, vous devrez ajouter du liquide à la recette pour éviter que le mélange ne brûle le long des parois du pot amovible.
- Réduire la quantité d'ingrédients de recettes volumineuses de manière à les adapter au pot de 3,5 pintes (4 litres).
- La saveur des herbes fraîches et des épices séchées peut diminuer pendant la durée de cuisson. Ajouter des herbes fraîches vers la fin de la durée de cuisson pour rehausser la saveur des mets.

Conseils de sécurité pour la cuisson

- N'utilisez jamais de viande congelée, non cuite dans la mijoteuse. Dégelez toute viande ou toute volaille avant de la faire mijoter.
- Visiter le site www.foodsafety.gov pour plus d'information au sujet de la température de cuisson interne des aliments.
- Pour ranger les restes après la cuisson, ne PAS placer toute la mijoteuse au réfrigérateur, car la durée de refroidissement sera trop longue. Séparer les restes en les déposant dans des petits contenants et placer au réfrigérateur.
- Ne jamais laisser reposer une viande insuffisamment cuite ou crue dans une mijoteuse à la température ambiante. La viande doit être cuite dès qu'elle est placée dans la mijoteuse (sauf pour les préparations faites la veille et que la mijoteuse a été placée au réfrigérateur).

Dépannage

Les aliments ne sont pas assez cuits.

- Les aliments ont-ils cuit avec le réglage **WARM** (chaud) ? Ne pas utiliser le réglage **WARM** (chaud) pour cuire les aliments; toujours utiliser les intensités **LOW** (basses) ou **HIGH** (élevées).
- Y a-t-il eu une panne électrique ?
- Le réglage de basse **LOW** (intensité) a-t-il été choisi et utilisé pour un temps de cuisson basé sur la haute **HIGH** (intensité) ?
- Le couvercle était-il placé correctement sur la mijoteuse ?

La viande est trop cuite. Pourquoi ?

- Avez-vous choisi les heures en vous basant sur une recette à température basse ?
- La température des aliments continue de s'élever après avoir atteint la température désirée.

Les aliments ne sont pas cuits même après avoir suivi le temps de cuisson recommandé par ma recette.

- Ceci peut survenir suite à des variations de tension électrique (phénomène commun presque partout) ou à l'altitude. Les petites variations de tension n'ont pas d'effets remarquables sur la plupart des appareils électroménagers. Cependant, elles peuvent nuire au temps de cuisson de la mijoteuse. Une tension inférieure à celle recommandée nécessitera un temps de cuisson plus long alors qu'une tension supérieure à celle recommandée nécessitera un temps de cuisson plus court. Vous apprendrez ces temps de cuisson plus ou moins longs avec l'expérience.

Le joint du couvercle est affaissé.

- Ceci peut être occasionné par un changement subit de température comme faire couler de l'eau froide sur un couvercle chaud. Laisser refroidir le couvercle à la température ambiante. Le joint reprendra sa forme originale après 24 heures.
- Pour maintenir la forme du joint, ne pas cuire en enclenchant les verrous et ne pas enclencher les verrous lors du rangement.

Remarques

Garantie limitée

Cette garantie s'applique aux produits achetés et utilisés aux É.-U. et au Canada. C'est la seule garantie expresse pour ce produit et est en lieu et place de tout autre garantie ou condition.

Ce produit est garanti contre tout défaut de matériaux et de main-d'oeuvre pour une période des cinq (5) ans à compter de la date d'achat d'origine au Canada et un (1) an à compter de la date d'achat d'origine aux É.-U. Au cours de cette période, votre seul recours est la réparation ou le remplacement de ce produit ou tout composant s'avérant défectueux, à notre gré, mais vous êtes responsable de tous les coûts liés à l'expédition du produit et le retour d'un produit ou d'un composant dans le cadre de cette garantie. Si le produit ou un composant n'est plus offert, nous le remplacerons par un produit similaire de valeur égale ou supérieure.

Cette garantie ne couvre pas le verre, les filtres, l'usure d'un usage normal, l'utilisation non conforme aux directives imprimées, ou des dommages au produit résultant d'un accident, modification, utilisation abusive ou incorrecte. Cette garantie s'applique seulement à l'acheteur original ou à la personne l'ayant reçu en cadeau. La présentation du reçu de vente d'origine comme preuve d'achat est nécessaire pour faire une réclamation au titre de cette garantie. Cette garantie s'annule si le produit est utilisé autrement que par une famille ou si l'appareil est soumis à toute tension ou forme d'onde différente des caractéristiques nominales précisées sur l'étiquette (par ex. : 120 V ~ 60 Hz).

Nous excluons toutes les réclamations au titre de cette garantie pour les dommages spéciaux, consécutifs et indirects causés par la violation de garantie expresse ou implicite. Toute responsabilité est limitée au prix d'achat. **Chaque garantie implicite, y compris toute garantie ou condition de qualité marchande ou d'adéquation à un usage particulier, est exonérée, sauf dans la mesure interdite par la loi, auquel cas la garantie ou condition est limitée à la durée de cette garantie écrite.** Cette garantie vous donne des droits légaux précis. Vous pouvez avoir d'autres droits qui varient selon l'endroit où vous habitez. Certaines provinces ne permettent pas les limitations sur les garanties implicites ou les dommages spéciaux ou indirects de telle sorte que les limitations ci-dessus ne s'appliquent peut-être pas à votre cas.

Ne pas retourner cet appareil au magasin lors d'une réclamation au titre de cette garantie. Téléphoner au 1.800.851.8900 aux É.-U. ou au 1.800.267.2826 au Canada ou visiter le site internet www.hamiltonbeach.com aux É.-U. ou www.hamiltonbeach.ca au Canada. Pour un service plus rapide, trouvez le numéro de modèle, le type d'appareil et les numéros de série sur votre appareil.

SALVAGUARDIAS IMPORTANTES

Cuando utilice artefactos eléctricos, siempre deben seguirse precauciones de seguridad básicas a fin de reducir el riesgo de incendio, descarga eléctrica, y/o lesiones a personas, incluyendo las siguientes:

1. Lea todas las instrucciones.
2. Este aparato no se destina para utilizarse por personas (incluyendo niños) cuyas capacidades físicas, sensoriales o mentales sean diferentes o estén reducidas, o carezcan de experiencia o conocimiento, a menos que dichas personas reciban una supervisión o capacitación para el funcionamiento del aparato por una persona responsable de su seguridad.
3. Se requiere de una estrecha supervisión cuando el aparato se use cerca de niños. Los niños deben supervisarse para asegurar que ellos no empleen los aparatos como juguete.
4. Verifique que el voltaje de su instalación corresponda con el del producto.
5. No toque superficies calientes. Use los mangos o las perillas.
6. Para protegerse contra el riesgo de choque eléctrico, no sumerja el cordón, el enchufe ni la base en agua ni en ningún otro líquido.
7. Desenchúfelo del tomacorriente cuando no lo esté usando y antes de la limpieza. Deje que se enfríe antes de colocar o sacar alguna pieza.
8. No opere ningún aparato con cables o enchufe dañados o después de que el aparato funcione mal o se caiga o dañe de cualquier manera. El reemplazo del cable de suministro y las reparaciones deben ser efectuadas por el fabricante, su agente de servicio, o personas igualmente calificadas para poder evitar un peligro. Llame al número de servicio al cliente proporcionado para información sobre examinación, reparación o ajuste.
9. El uso de accesorios no recomendados por fabricante de electrodomésticos puede causar lesiones.
10. No lo use al aire libre.
11. No deje que el cordón cuelgue sobre el borde de una mesa o de un mostrador, o que toque alguna superficie caliente, incluyendo la superficie de una estufa.
12. No coloque la olla removible o base sobre o cerca de una fuente de gas caliente o de un quemador eléctrico. No coloque la base de la olla de cocción lenta de un horno caliente.
13. Es importante tener extremo cuidado cuando se mueva un aparato electrodoméstico que contenga aceite caliente u otros líquidos calientes.
14. Para desconectar la olla eléctrica de cocción lenta, coloque la perilla en la posición apagado (OFF/O); saque el enchufe del tomacorriente.
15. **PRECAUCIÓN:** Para evitar daños o peligros de choque eléctrico no cocine sobre la base. Cocine solamente dentro del recipiente desmontable.
16. Evite cambios repentinos de temperatura, como la adición de alimentos refrigerados en una vasija caliente.
17. No use el aparato electrodoméstico para ningún otro fin que no sea el indicado.

GUARDE ESTAS INSTRUCCIONES

Otra Información de Seguridad para el Cliente

Este aparato ha sido diseñado solamente para uso doméstico.

Este aparato ha sido diseñado solamente para la preparación, cocción y servido de alimentos. No está diseñado para usarse con materiales que no sean alimentos ni con productos no alimenticios.

⚠ ADVERTENCIA Peligro de Descarga Eléctrica: Este aparato es provisto con un enchufe polarizado (una pata más ancha) para reducir el riesgo de una descarga eléctrica. El enchufe embona únicamente en una dirección dentro de un tomacorriente polarizado. No trate de obviar el propósito de seguridad del enchufe modificándolo de alguna manera o utilizando un adaptador. Si el enchufe no entra completamente en la toma, invierta el enchufe. Si aún no entra, haga que un electricista reemplace la toma.

El largo del cable que se usa en este aparato fue seleccionado para reducir el peligro de que alguien se enganche o tropiece con un cable más largo. Si es necesario usar un cable más largo, se podrá usar un cable de extensión aprobado. La clasificación eléctrica nominal del cable de extensión debe ser igual o mayor que la clasificación nominal del aparato. Es importante tener cuidado de colocar el cable de extensión para que no se pliegue sobre el mostrador o la mesera en donde niños puedan tirar del mismo o tropezarse accidentalmente.

OLLA Y TAPA: PRECAUCIONES E INFORMACIÓN

- Por favor maneje la olla y tapa cuidadosamente para asegurarles una vida larga.
- Evite cambios repentinos y extremos de temperatura. Por ejemplo, no coloque una tapa u olla caliente en agua fría o sobre una superficie húmeda.
- Evite golpear al olla y tapa contra el fregadero u otra superficie dura.
- No use la olla o tapa si está astillada, quebrada o severamente tallada.
- No use limpiadores abrasivos o estropajos de metal.
- La parte inferior de la olla es muy áspera y puede dañar una cubeirta. Tenga precaución.
- La olla y tapa pueden volverse muy calientes. Tenga precaución. No los ponga directamente sobre ninguna superficie o cubierta desprotegida.
- La olla puede usarse en microondas y es a prueba de hornos, pero nunca caliente la olla cuando esté vacía. Nunca coloque la tapa en un quemador o sobre la estufa.
- No coloque la tapa en un horno de microondas, horno convencional o sobre la estufa.

REMUEVA LA TAPA Y OLLA

Cuando remueva la tapa, inclínela de manera que la abertura quede hacia otro lado que no sea hacia usted para evitar quemaduras por el vapor.

Los lados de la base de la olla de cocción lenta se ponen muy calientes debido a los elementos caloríficos localizados en ella. Use las manijas en la base si es necesario. Use guantes para remover la olla.

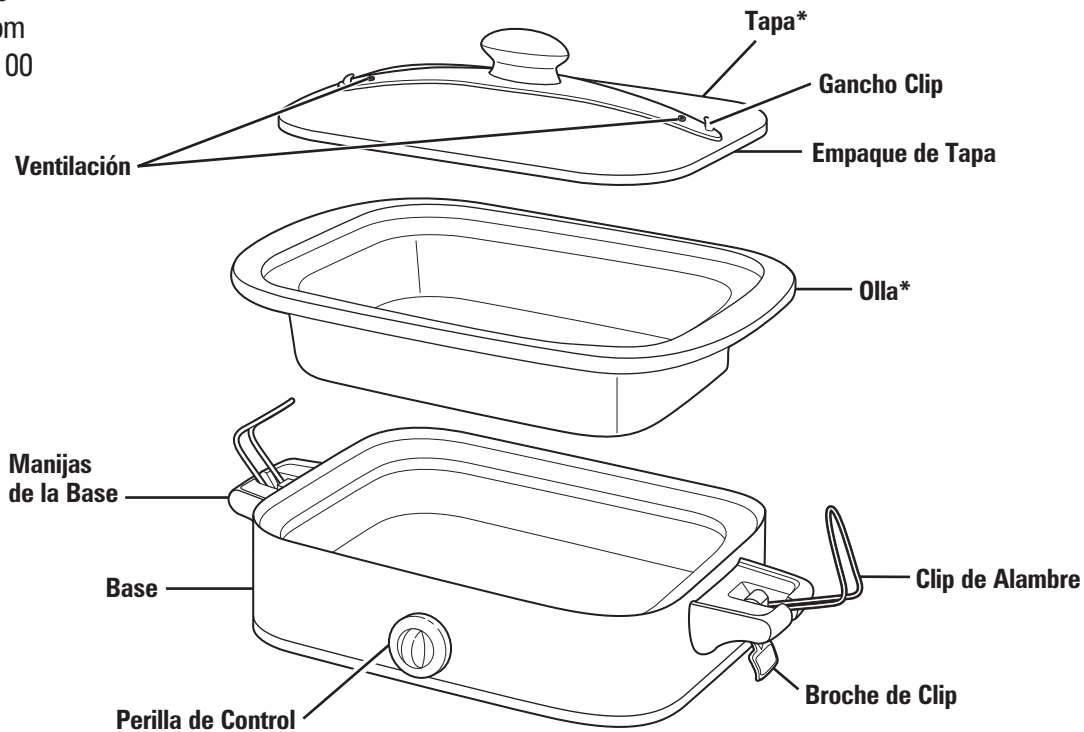
Partes y Características

*Para ordenar partes:

EE. UU.: 1.800.851.8900

www.hamiltonbeach.com

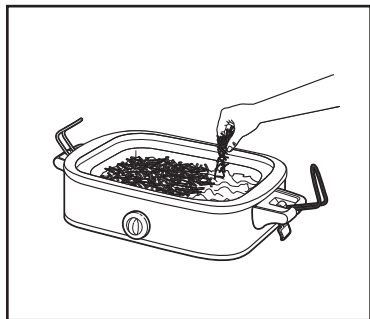
México: 01 800 71 16 100



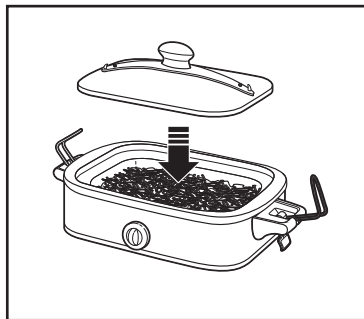
Cómo Usar Su Olla de Cocción

ANTES DE USAR POR PRIMERA VEZ:
Lave la tapa y olla en agua caliente jabonosa. Enjuague y seque.

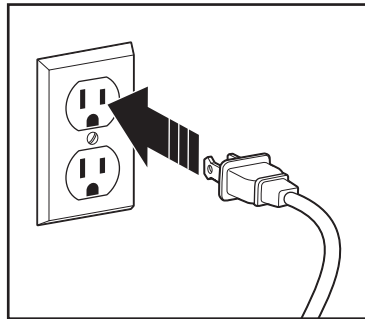
NOTA: Esta olla de cocción lenta está concebida para cocinar recetas como lasagnas, dips y cobblers. Las recetas que contengan una gran proporción de líquido



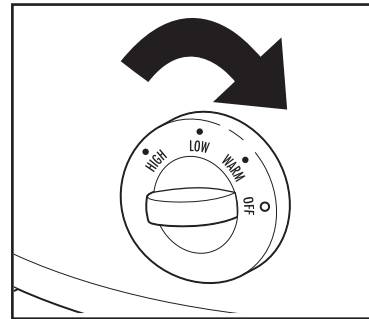
1. Coloque los ingredientes en la olla.



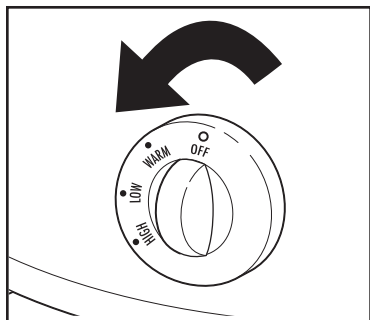
2. Cubra.



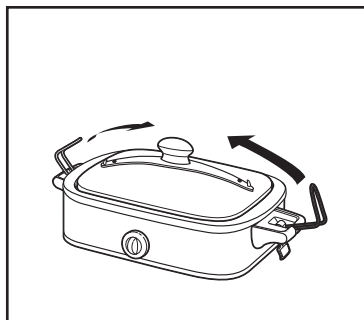
3. Enchufe en el tomacorriente.



4. Gire la perilla de control a **LOW** (bajo) o **HIGH** (alto). No cocine en **WARM** (caliente).



5. Cuando termine, **APÁGUELO** (OFF/O) y enchufe.



6. Asegure los clips de alambre para transportarlo.

NOTAS:

- La comida de estar lo suficientemente caliente para prevenir el crecimiento de bacterias antes de usar el ajuste de **WARM** (caliente).
- El ajuste de **WARM** (caliente) debe ser usado solamente después de que una receta ha sido cocinada completamente.
- No recaliente la comida en el ajuste **WARM** (caliente).
- Si la comida ha sido cocinada y luego refrigerada, recaliente en **LOW** (bajo) o **HIGH** (alto), luego cambie a **WARM** (caliente).
- Visite foodsafety.gov para más información.

Recetas

Lasagna

Ingredientes:

- 1 libra (0.5 kg) de salchicha italiana picante o dulce sin la piel
- 1 cebolla mediana picada
- 2 dientes de ajo picados
- 2 frascos (24 onzas [680 g] cada uno) de salsa marinara
- 3 cucharaditas (5 ml) de aderezo italiano deshidratado (separadas)
- 9 fideos para lasagna sin cocinar listos para el horno
- 1 recipiente (15 onzas [425 g] cada uno) de queso ricotta descremado
- 1 taza (237 ml) de queso Parmesano rallado
- 2 huevos grandes batidos ligeramente
- 4 tazas (946 ml) de queso mozzarella rallado
- Perejil picado

Instrucciones:

1. En una sartén grande a fuego medio-alto, cocine la salchicha hasta dorarla y que pierda el color rosado; escurra. Agregue las cebollas y el ajo a la sartén y cocine hasta que comiencen a ablandarse, por alrededor de 3 minutos. Incorpore la salsa marinara y 2 cucharaditas de aderezo italiano.
2. Esparza 1/2 taza de la mezcla de salsa en el fondo de la olla de cocción lenta. Coloque en una capa 3 fideos de lasagna sobre la salsa; rómpalos para que entren bien.
3. En un tazón mediano, mezcle el queso ricotta, el queso Parmesano, los huevos y el aderezo italiano restante. Vierta 1/3 de la mezcla sobre los fideos de la olla. Espolvoree con 1 taza de queso mozzarella. Repita las capas 2 veces más, finalizando con la salsa. Reserve el queso mozzarella restante para colocar por encima.
4. Cubra la olla de cocción lenta y cocine en HIGH (alta) por 2 1/2 a 3 horas o en LOW (baja) durante 6 a 6 1/2 horas.
5. Espolvoree con el queso mozzarella restante y deje reposar hasta que se derrita el queso. Espolvoree con perejil picado antes de servir.

Rendimiento: 6–8

Estofado de pan de maíz y chiles

Ingredientes:

- 1 libra (0.5 kg) de carne picada magra
- 1 lata (16 onzas [454 g]) de frijoles rojos oscuros, enjuagados y escurridos
- 1 lata (14.5 onzas [411 g]) de tomates en cubos con cebollas y pimientos verdes
- 1 lata (10 onzas [283 g]) de tomates en cubos grandes y pimientos chiles verdes
- 1 paquete (1.5 onzas [43 g]) de mezcla de condimento de chiles
- 2 cucharadas (30 ml) de pasta de tomate
- 1 paquete (8.5 onzas [241 g]) de mezcla de muffins de maíz
- 1 taza (237 ml) de queso cheddar fuerte rallado
- Crema agria (opcional)
- Rebanadas de jalapeño (opcional)
- Rebanadas de cebolleta (opcional)

Instrucciones:

1. En una sartén grande a fuego medio-alto, dore la carne picada. Escurra y pase a la olla de cocción lenta.
2. Agregue los frijoles, los tomates, la mezcla de condimento de chiles y la pasta de tomate a la olla y mezcle bien. Esparza la mezcla de chiles en una capa pareja sobre la olla.
3. En un tazón mediano, prepare la mezcla de muffins de maíz siguiendo las instrucciones del paquete. Coloque la mezcla con una cuchara sobre los chiles de la olla.
4. Cubra la olla de cocción lenta y cocine en HIGH (alta) por 2 a 2 1/2 horas o en LOW (baja) durante 4 a 4 1/2 horas. Reduzca a WARM (caliente). Espolvoree con queso y deje reposar hasta que se derrita, por alrededor de 15 minutos. Si así lo desea, coloque por encima crema agria, rebanadas de jalapeños y cebolletas.

Rendimiento: 6–8

Recetas (cont.)

Cobbler de manzanas y arándanos

Ingredientes:

RELLENO DE MANZANA

- 6 manzanas Granny Smith grandes peladas, sin centro y en rebanadas finas
- 1 taza (237 ml) de arándanos secos
- 1/3 taza (79 ml) de harina para todo propósito
- 1 taza (237 ml) de azúcar
- 1 1/2 cucharadita (7 ml) de canela molida

COBERTURA DEL COBBLER

- 1 taza (237 ml) más 3 cucharadas (44 ml) de harina para todo propósito
- 1/4 taza (59 ml) de azúcar
- 1 cucharadita (5 ml) de polvo para hornear
- 1/4 cucharadita (1.2 ml) de canela molida
- 1/4 cucharadita (1.2 ml) de sal
- 1/2 taza (118 ml) de leche
- 3 cucharadas (44 ml) de mantequilla derretida

Instrucciones:

1. En una olla de cocción lenta mezcle todos los ingredientes del relleno de manzana. Mezcle hasta que las manzanas queden bien cubiertas.
2. En un tazón mediano, mezcle todos los ingredientes de la cobertura del cobbler. Con una cucharadita o una cuchara pequeña, coloque la masa sobre la mezcla de manzana de la olla.
3. Cubra la olla de cocción lenta y cocine en HIGH (alta) por 2 1/2 a 3 horas o en LOW (baja) durante 4 a 5 horas. Quite la tapa y deje reposar por 15 minutos antes de servir. Espolvoree con azúcar en polvo y sirva con crema batida o helado.

Rendimiento: 8–10

Consejo de cocina: Para ahorrar tiempo, corte las manzanas en cintas con un rallador en espiral.

Cuidado y Limpieza

1. Desenchufe la unidad.
2. Deje enfriar por completo.
3. Limpie la base con un paño suave húmedo.

⚠ ADVERTENCIA Peligro de Descarga Eléctrica.

Desconecte la energía antes de limpiar. No sumerja el cable, enchufe o base en ningún líquido.

4. La olla y la tapa pueden lavarse en agua caliente jabonosa o en el lavavajillas. NO utilice la configuración "SANI" cuando lave las piezas en el lavavajillas. Las temperaturas del ciclo "SANI" pueden dañar su producto. Para evitar los aromas persistentes a alimentos, comunes en la mayoría de los recipientes plásticos, lave la junta de goma de la tapa con agua caliente jabonosa después de cada uso. Guarde con la tapa entreabierta.

Concejos para Cocinar Lento

- No se requiere menear cuando se cocina lento y remover la tapa de vidrio resulta en una gran pérdida de calor y puede necesitar que se extienda el tiempo de cocinado. Sin embargo, si se cocina en **HIGH** (alto), puede querer menear ocasionalmente.
- Muchas recetas requieren cocerse todo el día. Si su programa matutino no le deja tiempo para preparar una receta, hágalo la noche anterior. Coloque todos los ingredientes en la olla removible, cubra con la tapa y refrigere durante la noche. En la mañana, coloque la olla removible en la base.
- Algunos alimentos no se adaptan a un cocimiento extendido en una olla de cocción lenta. La pasta, mariscos, leche, crema o crema agria deben de agregarse 2 horas antes de servirse. La leche evaporada o sopas condensadas son perfectas para el cocimiento lento.
- Las ollas de cocción lenta permiten muy poca evaporación. Si hace su sopa, guisado o salsa favorita, reduzca el líquido indicado en la receta original. Si está muy espeso, se puede agregar líquido posteriormente.
- Si cocina una cacerola de tipo vegetal, necesita haber líquido en el recipiente para prevenir que se quemen los lados de la olla removible.
- Reduzca la cantidad de ingredientes de una receta concebida para una olla de cocción lenta más grande para que puedan cocinarse bien en una olla de 3.5 cuartos de galón.
- Los sabores de hierbas frescas y especias deshidratadas pueden disminuir durante el tiempo de cocción. Agregue las hierbas frescas hacia el final del tiempo de cocción para obtener un mejor sabor.

Consejos de Seguridad de Alimentos

- No use carne congelada sin cocinar en la olla de cocción lenta. Descongele todas las carnes vacunas y de aves antes de iniciar la cocción lenta.
- Para obtener más información sobre temperaturas seguras de cocción interna, visite www.foodsafety.gov.
- Para almacenar sobras después de la cocción, NO coloque toda la olla en el refrigerador porque los alimentos tardarán demasiado en enfriarse. Divida las sobras en recipientes más pequeños y colóquelos en el refrigerador.
- Nunca permita que carne cruda o poco cocida quede a temperatura ambiente dentro de la olla de cocción lenta. Una vez que la carne se coloca en la olla, ésta debe cocinarse de inmediato (a menos que se prepare la olla de cocción lenta la noche anterior, en cuyo caso la olla debe colocarse en el refrigerador).

Resolviendo Problemas

A la comida le falta cocer.

- ¿Se cocinó la comida en el ajuste de **WARM** (caliente)? No cocine en **WARM** (caliente); siempre cocine en los ajustes de calor **LOW** (bajo) o **HIGH** (alto).
- ¿Se interrumpió la corriente?
- ¿Seleccionó el ajuste de calor **LOW** (bajo), pero uso el tiempo de cocción basado en el ajuste de calor **HIGH** (alto)?
- ¿Colocó la tapa correctamente en la olla?

Mi comida se cocinó de más. ¿Por qué?

- ¿Elegió el tiempo en base a una receta de calor **LOW** (baja)?
- Los alimentos continuarán incrementando la temperatura después que la temperatura deseada se ha alcanzado.

La comida no se cocinó después de la cantidad de tiempo recomendada por mi receta.

- Esto se puede deber a las variaciones de voltaje (que es común en todos lados) o la altitud. Las ligeras fluctuaciones en la corriente no tienen efectos notables en la mayoría de los aparatos. Sin embargo, puede alterar los tiempos de cocción en una olla. Un voltaje menor al clasificado requerirá tiempos de cocción más prolongados y un voltaje mayor requerirá tiempos de cocción más reducidos. Aprenderá con la experiencia si se requiere de un tiempo menor o mayor.

Se colapsó el empaque de la tapa.

- Esto puede causarse por cambios repentinos de temperatura, como pasar agua fría sobre una tapa caliente. Deje que la tapa se asiente a temperatura de habitación. Regresará a su forma original en 24 horas.
- Para ayudar a mantener la forma del empaque, no cocine con los broches ajustados y no almacene la unidad vacía con los broches ajustados.

Notas



Grupo HB PS, S.A. de C.V.
Monte Elbruz No. 124 - 401
Col. Polanco V Sección, Miguel Hidalgo
Distrito Federal, C.P. 11560
01 800 71 16 100

PÓLIZA DE GARANTÍA

PRODUCTO:

MARCA:

MODELO:

Grupo HB PS, S.A. de C.V. cuenta con una Red de Centros de Servicio Autorizada, por favor consulte en la lista anexa el nombre y dirección de los establecimientos en la República Mexicana en donde usted podrá hacer efectiva la garantía, obtener partes, componentes, consumibles y accesorios; así como también obtener servicio para productos fuera de garantía. Para mayor información llame sin costo: **Centro de Atención al consumidor: 01 800 71 16 100**

Grupo HB PS, S.A. de C.V. le otorga a partir de la fecha de compra:
GARANTÍA DE 1 AÑO.

COBERTURA

- Esta garantía ampara, todas las piezas y componentes del producto que resulten con defecto de fabricación incluyendo la mano de obra.
- Grupo HB PS, S.A. de C.V. se obliga a reemplazar, reparar o reponer, cualquier pieza o componente defectuoso; proporcionar la mano de obra necesaria para su diagnóstico y reparación, todo lo anterior sin costo adicional para el consumidor.
- Esta garantía incluye los gastos de transportación del producto que deriven de su cumplimiento dentro de su red de servicio.

LIMITACIONES

- Esta garantía no ampara el reemplazo de piezas deterioradas por uso o por desgaste normal, como son: cuchillas, vasos, jarras, filtros, etc.
- Grupo HB PS, S.A. de C.V. no se hace responsable por los accidentes producidos a consecuencia de una instalación eléctrica defectuosa, ausencia de toma de tierra, clavija de enchufe en mal estado, etc.

EXCEPCIONES

Esta garantía no será efectiva en los siguientes casos:

- a) Cuando el producto se hubiese utilizado en condiciones distintas a las normales. (Uso industrial, semi-industrial o comercial.)
- b) Cuando el producto no hubiese sido operado de acuerdo con el instructivo de uso.
- c) Cuando el producto hubiese sido alterado o reparado por personas no autorizadas por Grupo HB PS, S.A. de C.V. el fabricante nacional, importador o comercializador responsable respectivo.

El consumidor puede solicitar que se haga efectiva la garantía ante la propia casa comercial donde adquirió su producto, siempre y cuando Grupo HB PS, S.A. de C.V. no cuente con talleres de servicio.

PROCEDIMIENTO PARA HACER EFECTIVA LA GARANTÍA

- Para hacer efectiva la garantía no deben exigirse mayores requisitos que la presentación del producto y la póliza correspondiente, debidamente sellada por el establecimiento que lo vendió.
- Para hacer efectiva la garantía, lleve su aparato al Centro de Servicio Autorizado más cercano a su domicilio (consulte la lista anexa).
- Si no existe Centro de Servicio Autorizado en su localidad llame a nuestro Centro de Atención al Consumidor para recibir instrucciones de como hacer efectiva su garantía.
- El tiempo de reparación, en ningún caso será mayor de 30 días naturales contados a partir de la fecha de recepción del producto en nuestros Centros de Servicio Autorizados.
- En caso de que el producto haya sido reparado o sometido a mantenimiento y el mismo presente deficiencias imputables al autor de la reparación o del mantenimiento dentro de los treinta días naturales posteriores a la entrega del producto al consumidor, éste tendrá derecho a que sea reparado o mantenido de nuevo sin costo alguno. Si el plazo de la garantía es superior a los treinta días naturales, se estará a dicho plazo.
- El tiempo que duren las reparaciones efectuadas al amparo de la garantía no es computable dentro del plazo de la misma. Cuando el bien haya sido reparado se iniciará la garantía respecto de las piezas repuestas y continuará con relación al resto. En el caso de reposición del bien deberá renovarse el plazo de la garantía.

FECHA DE ENTREGA	SELLO DEL VENDEDOR	QUEJAS Y SUGERENCIAS
DÍA__ MES__ AÑO__		Si desea hacer comentarios o sugerencias con respecto a nuestro servicio o tiene alguna queja derivada de la atención recibida en alguno de nuestros Centros de Servicio Autorizados, por favor dirigirse a: GERENCIA INTERNACIONAL DE SERVICIO 01 800 71 16 100 Email: mexico.service@hamiltonbeach.com.mx

RED DE CENTROS DE SERVICIO AUTORIZADA GRUPO HB PS, S.A. DE C.V.

Distrito Federal

ELECTRODOMÉSTICOS

Av. Plutarco Elias Cailles No. 1499
Zacahuitzco MEXICO 09490 D.F.

Tel: 01 55 5235 2323 • Fax: 01 55 5243 1397

CASA GARCIA

Av. Patriotismo No. 875-B
Mixcoac MEXICO 03910 D.F.

Tel: 01 55 5563 8723 • Fax: 01 55 5615 1856

Nuevo Leon

FERNANDO SEPULVEDA REFACCIONES

Ruperto Martínez No. 238 Ote.
Centro MONTERREY, 64000 N.L.

Tel: 01 81 8343 6700 • Fax: 01 81 8344 0486

Jalisco

SERVICIOS DE MANTENIMIENTO CASTILLO

Garibaldi No. 1450
Ladrón de Guevara
GUADALAJARA 44660 Jal.

Tel: 01 33 3825 3480 • Fax: 01 33 3826 1914

Modelo:

33444

Tipo:

SC74

Características Eléctricas:

120 V~ 60 Hz 290 W

Los modelos incluidos en el instructivo de Uso y Cuidado pueden ir seguidos o no por un sufijo correspondiente a una o varias letras del alfabeto y sus combinaciones, separadas o no por un espacio, coma, diagonal, o guión. Como ejemplos los sufijos pueden ser: "Y" y/o "MX" y/o "MXY" y/o "Z".