

READ BEFORE USE

使用前阅读

Visit www.hamiltonbeach.cn for our complete line of products and Use and Care Guides – as well as delicious recipes, tips, and to register your product online!



有关我们所有系列产品的，使用与维护指南 – 以及美味食谱、生活小贴士和产品在线注册的更多信息，请访问 www.proctorsilex.cn。

Questions?
Please call us – our friendly associates are ready to help.
China: 400-852-2655

如有疑问？
请致电我们，我们的团队随时准备为您提供帮助。
中国大陆客服热线：
400-852-2655
官方网站：www.proctorsilex.cn

型号：51150-CN

此说明书中图片仅供参考，
产品以实物为准。

使用产品前请仔细阅读本使用说明书，
并妥善保管。



Single-Serve Blender 果汁机



English	2
简体中文	6

IMPORTANT SAFEGUARDS

When using electrical appliances, basic safety precautions should always be followed, including the following:

1. Read all instructions.
2. This appliance is intended to be used in household and similar applications such as:
 - staff kitchen areas in shops, offices and other working environments;
 - farm houses;
 - by clients in hotels, motels and other residential type environments;
 - bed and breakfast type environments.
3. This appliance is not intended for use by persons (including children) with reduced physical, sensory, or mental capabilities, or lack of experience and knowledge, unless they are closely supervised and instructed concerning use of the appliance by a person responsible for their safety.
4. To protect against risk of electrical shock, do not put cord, plug, or base in water or other liquid.
5. Close supervision is necessary when any appliance is used by or near children.
6. Unplug cord from outlet when not in use, before putting on or taking off parts, and before cleaning.
7. Avoid any contact with blades or moveable parts.
8. Do not operate any appliance with a damaged cord or plug, or after appliance malfunctions, or is dropped or damaged in any manner. Call our customer service number for information on examination, repair or electrical or mechanical adjustment. If the supply cord is damaged, it must be replaced by the manufacturer, its service agent or similarly qualified persons in order to avoid a hazard.
9. The use of attachments, including canning jars, not recommended or sold by the appliance manufacturer may cause a risk of injury to persons.
10. Do not use outdoors.
11. Do not let cord hang over edge of table or counter, or touch hot surfaces, including the stove.
12. Do not place on or near a hot gas or electric burner or in a heated oven.
13. Keep hands and utensils out of jar while blending to reduce the risk of severe injury to persons or damage to the blender. A rubber spatula may be used but must be used only when blender is not running.
14. Blades are sharp; handle carefully—especially when cleaning inside blender jar.
15. Do not use a broken, chipped, or cracked blender jar.
16. Do not use broken, cracked, or loose cutting blades.
17. Always operate blender with lid in place.
18. Do not blend hot liquids.
19. Do not use appliance for other than intended purpose.
20. Always switch off and unplug from the outlet before changing accessories or access to the moving parts.
21. **CAUTION:** In order to avoid a hazard due to inadvertent resetting of the thermal cut-out, this appliance must not be supplied through an external switching device, such as a timer, or connected to a circuit that is regularly switched on and off by the utility.

SAVE THESE INSTRUCTIONS!

Other Consumer Safety Information

This appliance accessory is intended for household use only. Use for food or liquids only.

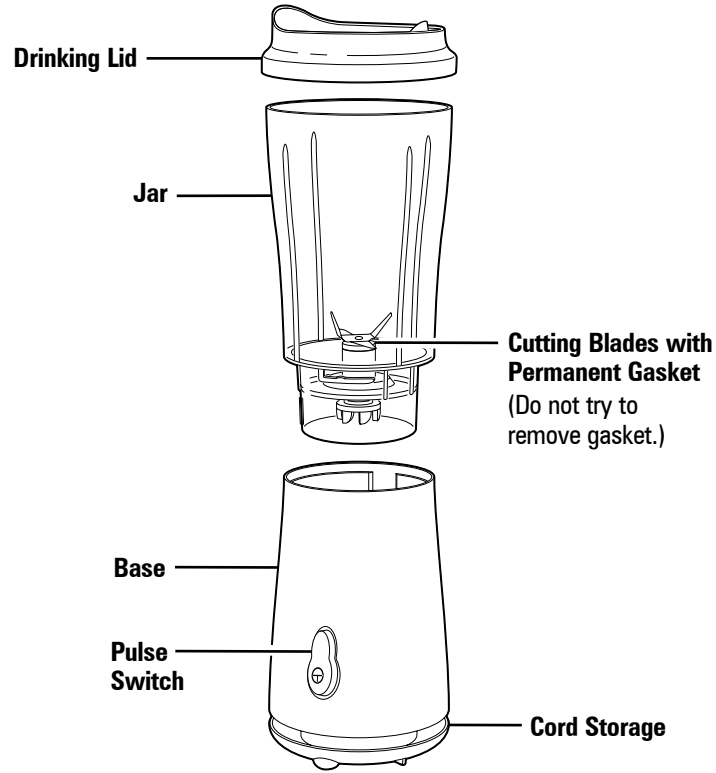
The length of the cord used on this appliance was selected to reduce the hazards of becoming tangled in or tripping over a longer cord. If a longer cord is necessary, an approved extension cord may be used. The electrical rating of the extension cord must be equal to or greater than the rating of the appliance. Care must be taken to arrange the extension cord so that it will not drape over

the countertop or tabletop where it can be pulled on by children or accidentally tripped over.

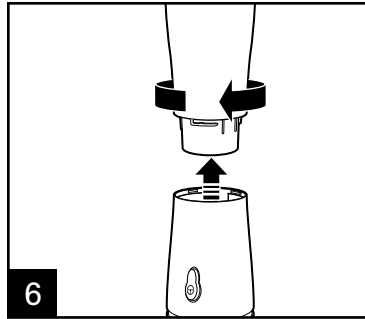
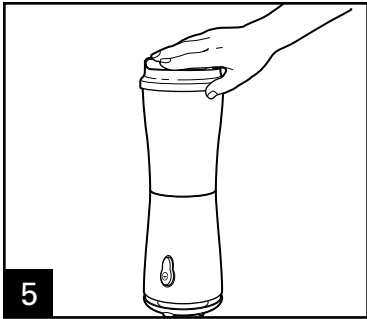
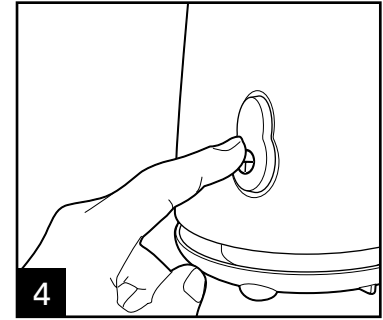
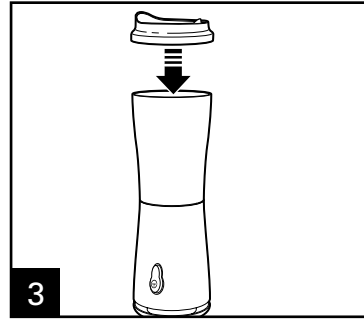
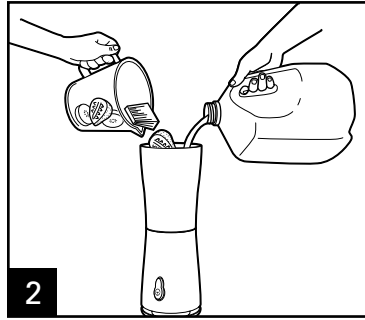
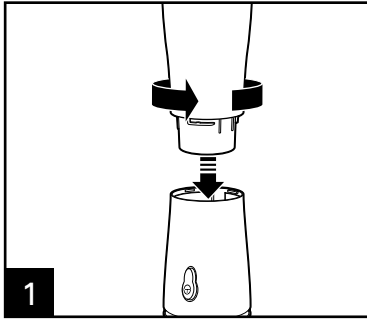
If the cutting unit blades lock and do not move, it will damage the motor. Do not use. Call the customer service number for information.

Do not place blender jar in the freezer filled with food or liquid. This will freeze and damage the cutting unit, jar, and motor.

Parts and Features



Using the Blender



Hold jar in place while blending.

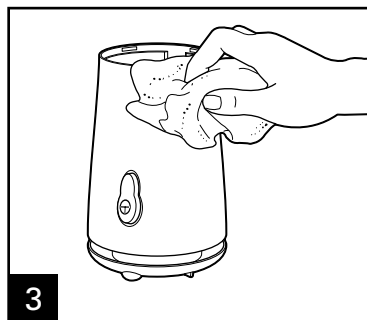
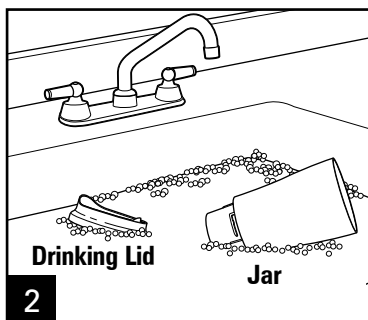
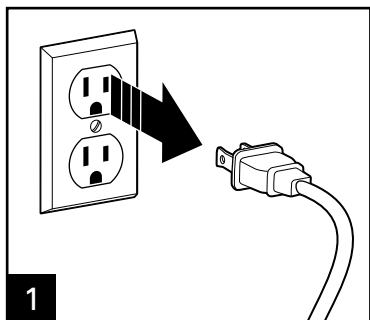
Blending Tips

- Do not chop or process hard foods such as cheese, crackers or meat.
- If blending action stops during blending or ingredients stick to sides of the jar, turn blender OFF. Remove lid and use a rubber spatula to push mixture toward blades.
- Do not process hot foods or liquids in blender.
- Do not store food or liquids in the blender jar.
- Avoid bumping or dropping the blender.

Cleaning the Blender

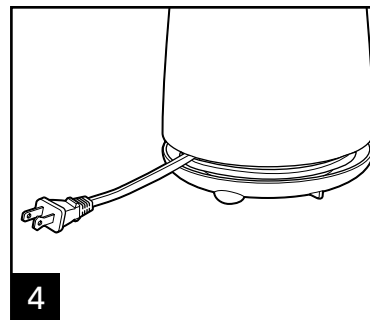
⚠ WARNING Electrical Shock Hazard.

Disconnect power before cleaning. Do not immerse cord, plug or base in any liquid.



Wipe blender base, control panel, and cord with a damp cloth or sponge.

To remove stubborn spots, use a mild, non-abrasive cleanser.



重要安全说明

在使用家用电器时，应始终遵守基本的安全防范措施，包括以下内容：

1. 阅读所有相关说明。
2. 本电器预定用于家用及类似应用场合，例如：
 - 办公室、商铺及其它工作环境的员工厨房区；
 - 农舍；
 - 酒店、汽车旅馆和其它居住型环境的旅客使用；
 - 以及住宿早餐型环境场合。
3. 本电器不适合以下人群（包括儿童）使用：行动不便者、精神或智商缺陷者、缺少经验和常识者，除非他们在监护人的密切监督和指导下使用，以确保安全。
4. 为防止触电危险，请勿将电源线、插头或底座放入水或其他液体中。
5. 当电器由儿童使用或距离儿童较近时，需有成人看护。
6. 当本电器不使用时、安装或拆解部件和清洁前，请从插座拔下电源。
7. 避免接触刀片或任何可移动部件。
8. 在下列情况下，请勿使用电器：电源线或插头破损、电器出现故障、电器曾跌落或已经出现任何形式的损坏。请拨打我们的售后服务电话，咨询有关电器检查、修理或调整的相关信息。如果电源软线损坏，为了避免危险，必须由制造商、其维修部或类似部门的专业人员更换。
9. 使用非本电器制造商推荐或出售的附件，包括搅拌杯，可能会有受伤的风险。
10. 请勿户外使用。
11. 请勿将电源线搭置在桌台边缘上或与发热表面接触，包括电炉。
12. 请勿置于燃气、电炉、热烤箱上面或附近。
13. 搅拌时，请将手及用具远离搅拌杯，以降低严重人员伤害或机器损坏的风险。可使用橡胶刮铲，但仅限于在本机未运行时使用。
14. 刀片很锋利；当取出切割刀片、排空搅拌杯和清洗时，务必要小心处理。
15. 请勿使用破损、碎裂或有裂缝的搅拌杯。
16. 请勿使用破损、破裂或松动的切割刀片。
17. 本机仅在提供的底座上使用，务必在盖子处于适当的位置时操作果汁机。
18. 请勿搅拌热液体。
19. 请勿将该装置用于非预期用途。
20. 在更换附件或接触运动部件前要关掉电源开关并断开电源。
21. **小心：**为了避免由于热熔断器的疏忽重置导致的危险，本电器不能在外接定时器或独立的遥控控制系统的方式下运行。

请妥善保管说明书！

其他用户安全信息

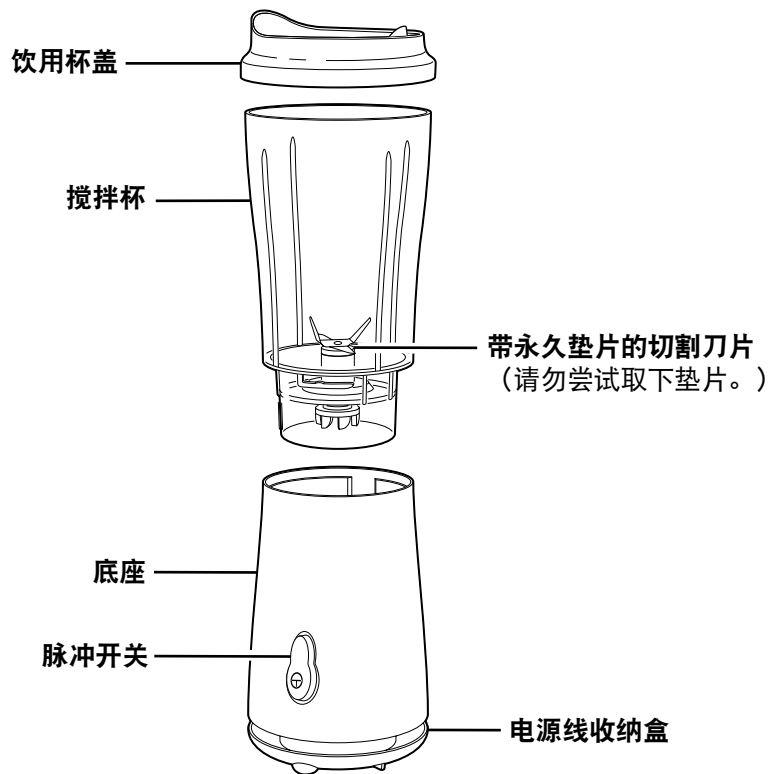
此电器建议于家庭使用。仅可用于搅拌食物或液体。

此电器电源线的长度设计考虑减少长电源线缠绕或绊倒的危险。倘若需要更长的电源线，可使用有认证的电源延长线。电源延长线的额定功率必须等于或大于此电器的额定功率。电源延长线使用时需特别注意，以防将其搭设在工作台或桌台上，造成儿童扯拉或绊倒他人。

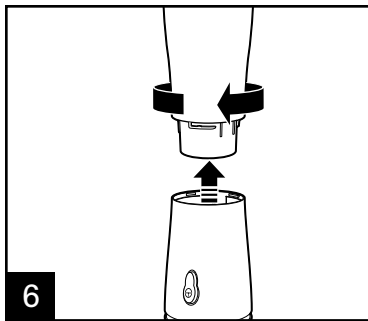
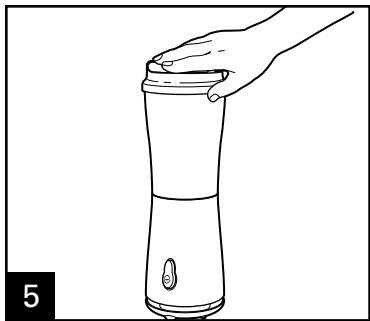
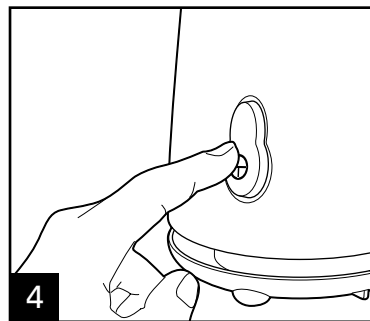
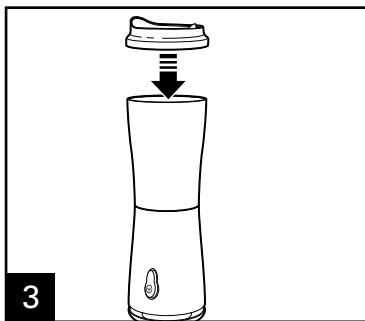
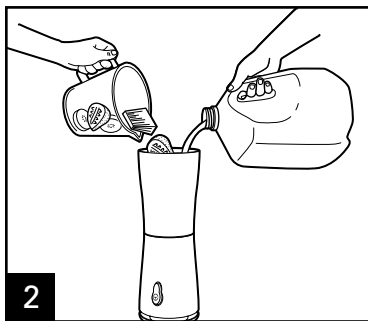
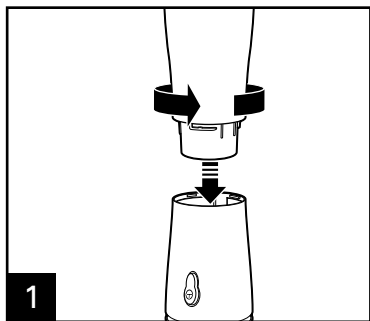
如果刀片被卡住而不能移动，电机可能会损坏。请勿使用。有关信息，请拨打售后服务电话。

请勿将搅拌杯放在装有食物或液体的冰箱中。这会冻坏刀组、搅拌杯和电机。

部件和功能



使用果汁机



搅拌时，用手按住搅拌杯，以固定位置。

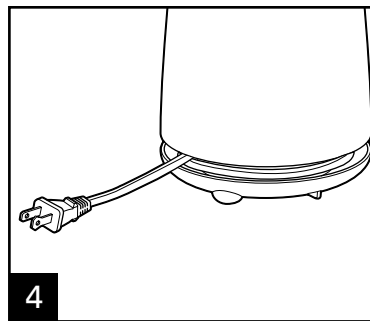
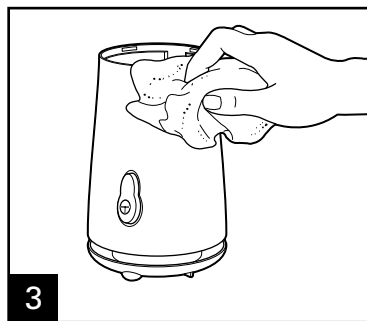
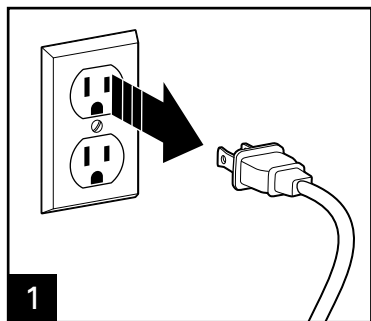
搅拌技巧

- 请勿使用本装置剁碎或处理较硬的食物，如奶酪、饼干或肉类等。
- 如果搅拌过程中搅拌操作停止或材料粘在搅拌杯侧面，请切断果汁机电源，取下盖子，用橡胶刮铲将搅拌物推向刀片。
- 请勿在果汁机中处理热食物或液体。
- 请勿将食物或液体储存在搅拌杯中。
- 避免碰撞果汁机，不要让其跌落。

清洁果汁机

警告 电击危险。

清洁前断开电源。请勿将电源线、插头或底座浸在任何液体中。



用湿布或海绵擦拭果汁机底座、控制面板和电源线。

若要去除顽固的斑点，请使用温和的防磨损清洁剂。

产品中有害物质的名称及含量

Name and content of hazardous substances in product

部件名称 (Component name)	有害物质(hazardous substance)					
	铅 Lead (Pb)	汞 Mercury (Hg)	镉 Cadmium (Cd)	六价铬 Hexavalent Chromium (Cr(VI))	多溴联苯 Polybrominated diphenyls (PBB)	多溴二苯醚 Polybrominated diphenyl ethers (PBDE)
微动开关 (Micro Switch)	O	O	X	O	O	O
刀具轴承 (Bearing)	X	O	O	O	O	O
主动轮轴衬 (Bushing)	X	O	O	O	O	O

本表格依据 SJ/T 11364 的规定编制。This table is prepared in accordance with the provisions of SJ/T 11364.

O: 表示该有害物质在该部件所有均质材料中的含量均在 GB/T 26572 规定的限量要求以下。

Indicates that the said hazardous substance contained in all the homogeneous materials for this component is below the limit requirement in GB/T 26572.

X: 表示该有害物质至少在该部件的某一均质材料中的含量超出 GB/T 26572 规定的限量要求。这是由于目前技术或经济等的原因暂时无法实现替代。

Indicates that the said hazardous substance contained in at least one of the homogeneous materials used for this component is above the limit requirement in GB/T 26572. Due to technological and/ or economic reasons, these hazardous substances cannot be easily replaced at this time.



这是环保使用标志。标志内的数字代表在正常使用状态下，产品的环保使用推荐年限。

This is the logo of environmental protection use. The number inside indicates the environmental protection use recommended period (Year) of product in normal use.

Model/型号:
51150-CN

Type/类别:
B31

Capacity/容积:
400毫升

Rating/规格:
220V~ 50Hz 175W

制造商: 汉密尔顿海滩电器(深圳)有限公司
地址: 深圳市福田区深南西路车公庙工业区天安数码时代
大厦主楼 1306-1308 1309-1311 单元
本产品执行标准: GB4706.1-2005, GB4706.30-2008

以上内容如有改动, 恕不预先通知



添加官方微博 微信
开启美食人生

840288200