

FOOD PROCESSING TIPS

S-BLADE:

For the most uniform results when using the S-blade, cut food into 1-inch chunks, or smaller, before processing. The S-blade should be used to chop, mince or crumb. An "ON and OFF" operation of the motor will produce a more consistently processed food. Listed below are foods and maximum quantities which can be processed with the S-blade attachment:

FOOD	QUANTITY
Bread	2 slices
Cookies, crackers	5 to 10, depending on size
Hard cooked eggs	4
Garlic	1 head, peeled and separated into cloves
Raw or cooked meats	1/2 pound
Nuts	1 cup
Onions	1 large
Parsley	1 cup

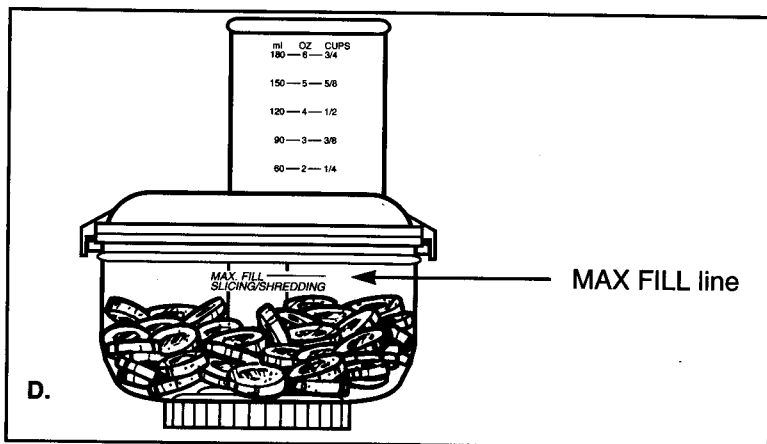
Use the blade attachment to mix or process small recipes. Liquid quantities up to 1-3/4 cups can be mixed in the bowl. Mayonnaise, sauces, dips and pureed baby food are a few examples of recipes that can be mixed in the BlenderChef. The cover has a built-in oil dispenser to allow oil to be added while mixture is being processed. The food pusher is marked for convenient measuring.

REVERSIBLE SLICING/SHREDDING DISC:

When using the slicing/shredding disc always use the food pusher to push food through the food chute. NEVER use your

hands. A steady firm pressure will produce consistently uniform slices or shreds.

When using the slicing/shredding disc do not exceed the MAX FILL line on the processing bowl. See illustration D. Exceeding the MAX FILL line (3 cups) can cause misalignment of the disc and damage the unit.



A few examples of foods that can be processed with the slicing/shredding disc include:

SLICING DISC

Apples
Cabbage
Carrots
Celery
Cucumbers
Green Peppers
Potatoes

SHREDDING DISC

Cheddar
Mozzarella
Swiss

This appliance is NOT intended to crush ice. This could damage the appliance.

ONE YEAR LIMITED WARRANTY

Hamilton Beach/Proctor-Silex, Inc. warrants this appliance to be free from defects in material and workmanship for a period of one (1) year from the date of original purchase. There are no warranties with respect to any glass parts or glass containers which may be supplied with this appliance. This warranty does not cover damage from abuse neglect, use for commercial purposes, or any other use not found in the printed directions. HAMILTON BEACH/PROCTOR-SILEX, INC. DISCLAIMS ALL RESPONSIBILITY FOR CONSEQUENTIAL, INCIDENTAL, OR COMMERCIAL LOSSES CAUSED BY USE OF THIS APPLIANCE. Some states do not allow this exclusion or limitation of incidental or consequential losses, so the foregoing disclaimer may not apply to you. If you have a claim under this warranty, DO NOT RETURN THE APPLIANCE TO THE STORE! Please call our CUSTOMER ASSISTANCE HOT LINE in Washington, N.C. between 8:00 a.m. and 6:00 p.m., Eastern Time, Monday through Friday. (For faster service please have model number ready for operator to assist you.)

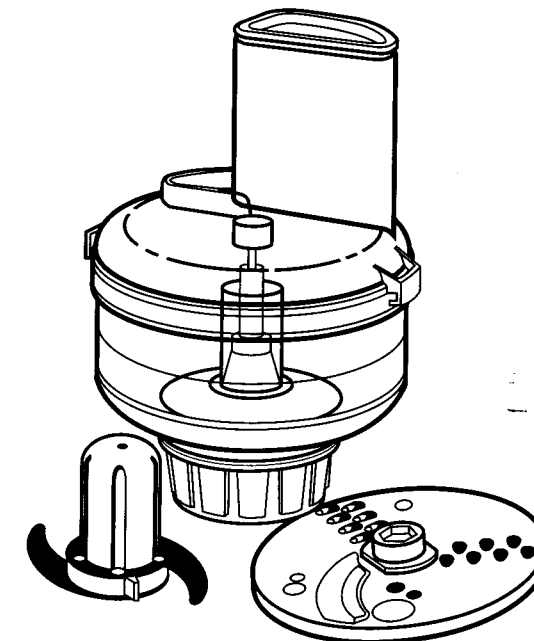
1-800-851-8900

This warranty gives you specific legal rights, and you may also have other legal rights which vary from state to state.

Hamilton Beach®

Use & Care

for BlenderChef™ Food Processor Attachment
for use with Hamilton Beach Blenders*



*not for use with Hamilton Beach 1 and 2 speed blenders.

Customer Service Number

1-800-851-8900

(8:00 A.M. - 6:00 P.M. Eastern Time, Monday-Friday)

KEEP THIS NUMBER FOR FUTURE REFERENCE

HAMILTON BEACH ♦ PROCTOR-SILEX, INC.

Washington, North Carolina 27889

IMPORTANT SAFEGUARDS

When using electrical appliances, basic safety precautions should always be followed, including the following:

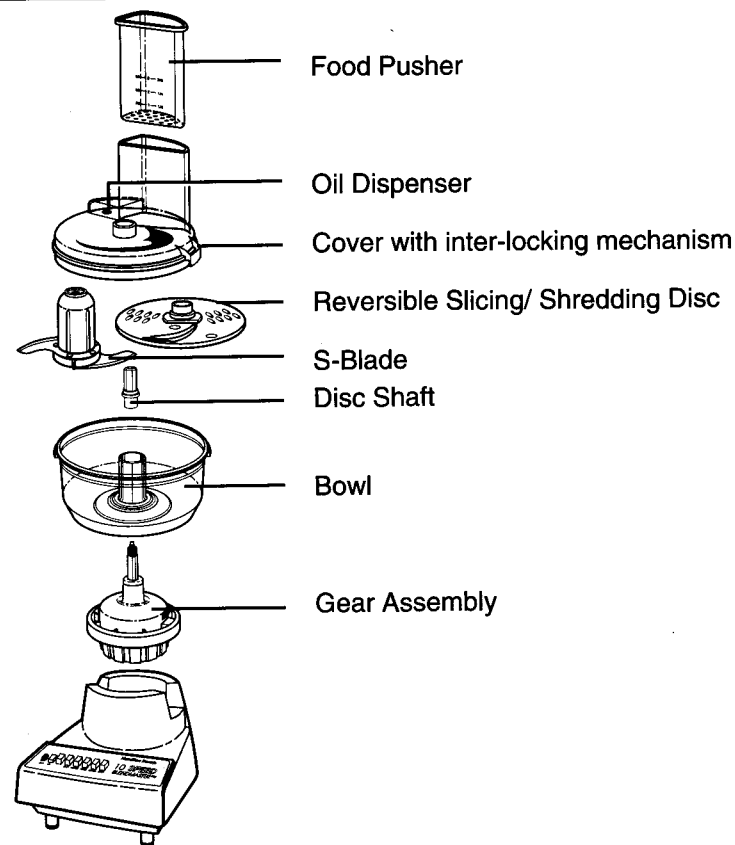
1. Read all instructions.
2. To protect against risk of electrical shock, do not immerse base in water or other liquid.
3. Close supervision is necessary when any appliance is used by or near children.
4. Unplug from outlet when not in use, before putting on or taking off parts and before cleaning.
5. Avoid contact with moving parts.
6. Do not operate any appliance with a damaged cord or plug, or after the appliance malfunctions, or is dropped or damaged in any manner. Return appliance to Hamilton Beach/Proctor-Silex, Inc. or to nearest authorized service facility for examination, repair, or electrical or mechanical adjustment.
7. The use of attachments not recommended or sold by Hamilton Beach/Proctor-Silex, Inc. for use with this model may cause fire, electric shock or injury.
8. Be certain the cover is securely locked in place before operating appliance. Never operate without the cover locked securely in place.
9. Do not attempt to defeat the cover interlock mechanism.
10. To reduce the risk of injury, never place cutting blade or discs on base without first putting bowl properly in place.
11. Never feed food by hand. Always use the food pusher.
12. Blades are sharp. Handle carefully. Store out of reach of children.
13. Keep hands, hair, clothing and utensils away from moving blades or discs while processing food to reduce the risk of severe injury to persons or damage to the food processor. A scraper may be used but must be used only when the food processor is not running.
14. Make sure the blade or disc has come to a full stop before removing cover.
15. Do not let cord hang over edge of table or counter or touch hot surfaces, including stove.
16. Do not use outdoors.

17. This food processor attachment is to be used only with Hamilton Beach or Proctor-Silex blenders. Do not use with any other manufacturer's blender bases. It is not for use with Hamilton Beach or Proctor-Silex 1 or 2 speed blenders.

SAVE THESE INSTRUCTIONS

This appliance is intended for household use only.

KNOW YOUR FOOD PROCESSOR ATTACHMENT



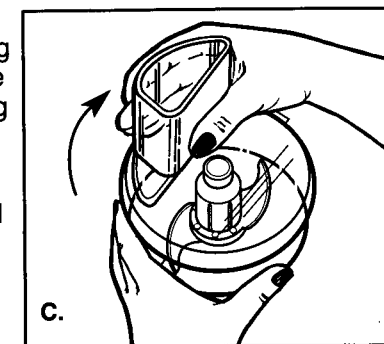
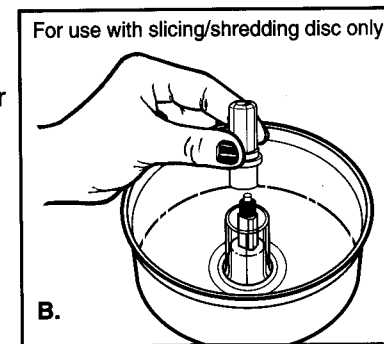
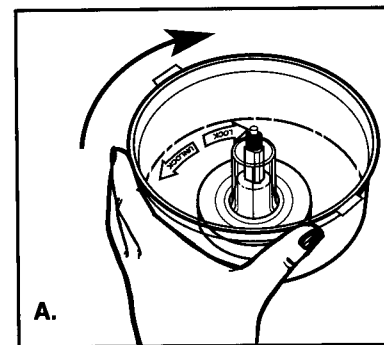
HOW TO ASSEMBLE AND OPERATE

BEFORE FIRST USE: Wash the food pusher, cover, bowl, disc shaft, S-blade and disc in hot soapy water. S-blade and disc are sharp. Handle carefully. Rinse and dry thoroughly. Do not immerse gear assembly in water.

1. Place Hamilton Beach blender base on clean dry surface. Make sure unit is off and unplugged from electrical outlet.
2. Place bowl onto gear assembly and turn clockwise to lock. See illustration A.
3. Place gear assembly with bowl attached onto blender base.
4. **TO USE S-BLADE:** Fit blade over center shaft in bowl. The blade is sharp, handle carefully.

TO USE DISC: Place the disc shaft onto the center shaft in the bowl. See illustration B. Fit the reversible slicing/shredding disc onto the shaft with the desired cutting edge facing up. The disc is sharp, handle carefully.

5. Place cover onto bowl and turn clockwise to engage locking mechanism. See illustration C.



6. The S-blade and/or disc will not operate until the cover locking mechanism is properly engaged.
7. Plug in blender base.
8. **Always hold food processor firmly with one hand when starting unit and during processing.**
9. Always use the highest speed possible on the blender base.
10. Turn unit ON and process food. Turn OFF when complete.
11. **Always wait until S-blade or disc has stopped rotating before removing cover.**
12. If using the S-blade, carefully remove the S-blade before removing the processed food.

HOW TO DISASSEMBLE AND CLEAN

1. Turn unit OFF and unplug cord from outlet.
2. To remove cover, turn counter clockwise.
3. Carefully remove slicing/shredding disc and shaft or S-blade before removing processed food. S-blade and disc are very sharp, handle carefully.
4. To remove bowl, turn counter clockwise.
5. Bowl, cover and food pusher may be washed in the top rack of an automatic dishwasher.
6. For safety reasons, the S-blade, reversible disc and disc shaft should be carefully washed by hand.
7. Never immerse gear assembly or blender base in water or liquid, simply wipe clean with a damp cloth.
8. After washing re-assemble food processor attachment for storage.