

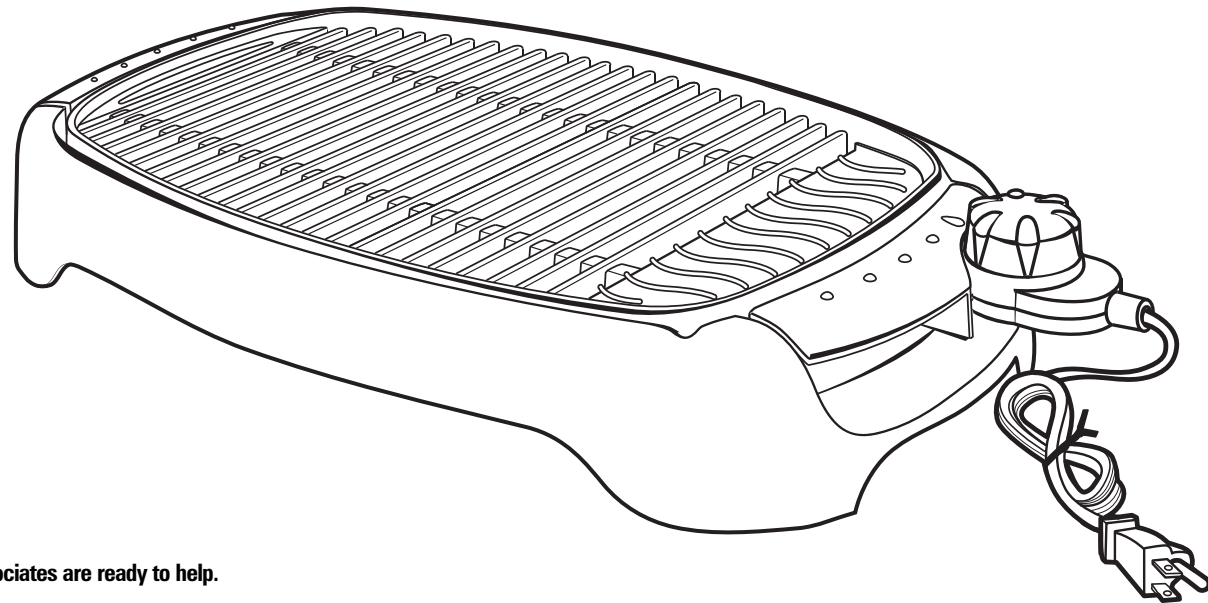
---

# Sandra

by Sandra Lee

---

*Indoor/Outdoor Grill*



**Questions?**  
Please call us – our friendly associates are ready to help.  
**1.855.424.7780**

## IMPORTANT SAFEGUARDS

When using electrical appliances, basic safety precautions should always be followed to reduce the risk of fire, electric shock, and/or injury to persons, including the following:

1. Read all instructions.
2. Do not touch hot surfaces. Use handles or knobs.
3. To protect against electrical shock, do not immerse cord assembly or plug in water or other liquid.
4. Close supervision is necessary when any appliance is used by or near children.
5. Unplug from outlet when not in use and before cleaning. Allow to cool before putting on or taking off parts and before cleaning the appliance and before moving the appliance.
6. Always attach plug to appliance first; then plug cord into the wall outlet. To disconnect, turn control to MIN and remove plug from wall outlet.
7. Do not leave the appliance unattended when in use.
8. Do not operate any appliance with a damaged cord or plug, or after the appliance malfunctions, or is dropped or damaged in any manner. Call our toll-free customer service number for information on examination, repair, or adjustment.
9. Do not let cord hang over edge of table or counter, or touch hot surfaces, including the stove.
10. Do not place on or near a hot gas or electric burner, or in a heated oven.
11. Always use the appliance on a dry level surface.
12. Do not use appliance for other than intended use.
13. Use extreme caution when moving an appliance containing hot oil or other hot liquids.
14. Always unplug grill and then remove cord before attempting to move the grill.
15. The use of accessory attachments not recommended by the appliance manufacturer may cause injuries.
16. Do not use without base in place. Clean after each use.
17. Fuel, such as charcoal briquettes, is not to be used with appliance.
18. Use only on properly grounded outlet.
19. When in operation, a fire may occur if the grill is touching or near flammable material, including curtains, draperies, walls, backsplashes, cabinets and the like.
20. Use only variable-heat power cord provided by manufacturer. Use of other variable-heat power cord may cause injury.

## SAVE THESE INSTRUCTIONS!

## OTHER CONSUMER SAFETY INFORMATION

**This appliance is intended for household use only.**

**WARNING!** Shock Hazard: This product is provided with a grounded (3-prong) plug to reduce the risk of electric shock. The plug fits only one way into a grounded outlet. Do not defeat the safety purpose of the plug by modifying the plug in any way or by using an adapter. If the plug does not fit into the outlet, have an electrician replace the outlet.

The length of the cord used on this appliance was selected to reduce the hazards of becoming tangled in or tripping over a longer cord. If a longer cord is necessary, an approved extension cord may be used. The electrical rating of the extension cord must be equal to or greater than the rating of the appliance and should be a grounding-type, 3-wire cord. Care must be taken to arrange the extension cord so that it will not drape over the countertop or tabletop where it can be pulled on by children or accidentally tripped over.

To avoid an electrical circuit overload, do not use another high-wattage appliance on the same circuit with this appliance.

**WARNING:** To reduce risk of fire, do not allow flammable materials such as curtains, draperies, walls, cabinets, backsplashes, and the like to touch any part of the grill or grilling surface when the grill is in operation. Place grill at least 6 inches away from walls, appliances, or any object which could be damaged by heat.

### **WHEN USING OUTDOORS:**

**CAUTION:** To ensure continued protection against risk of electric shock, connect to properly grounded outlets only.

### **WHEN USING AN EXTENSION CORD OUTDOORS:**

**CAUTION:** To reduce the risk of electric shock, keep extension cord connection dry and off the ground.

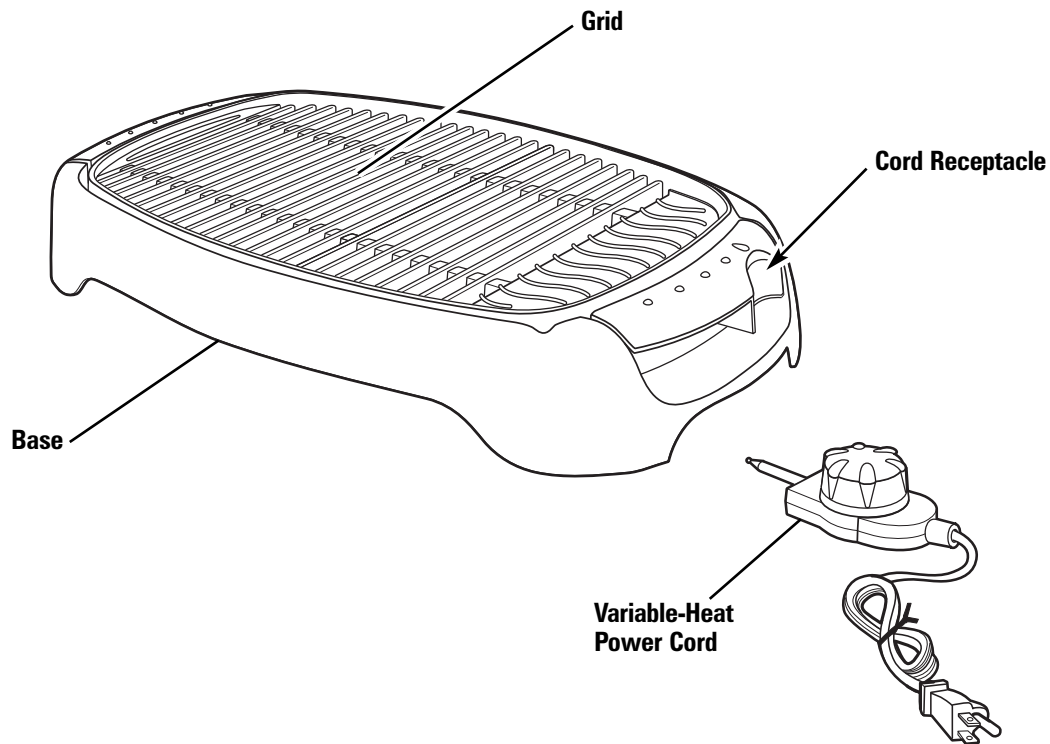
Outdoor extension cords should be used with outdoor use products and are surface-marked with suffix letters "W-A" and with a tag stating "Suitable for Use with Outdoor Appliances."

Store unit indoors, out of reach of children.

Do not clean this product with a water spray or the like.

## Parts and Features

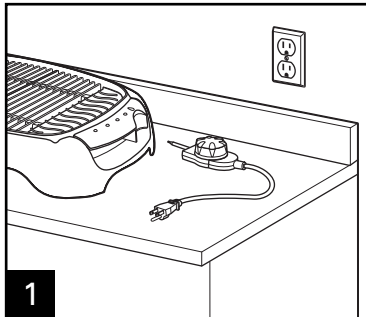
**BEFORE FIRST USE:** Wash the grid and base in hot, soapy water before use. Rinse and dry thoroughly. Do not immerse power cord in water or other liquid.



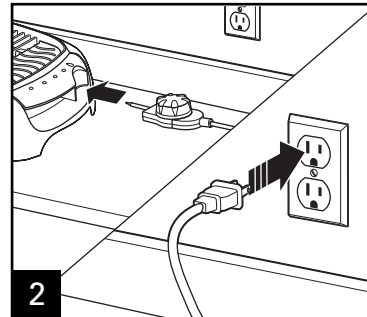
### Variable-Heat Power Cord

The variable-heat power cord offers heat settings from “MIN” and 1 (low) to 5 (high). Settings 3 and 4 are for thick cuts of meat or large pieces of bone-in chicken. These settings will ensure thorough cooking without drying out the food. Start cooking at the higher setting; then reduce heat if needed. Settings 1 and 2 should be used to keep food warm after it has been cooked.

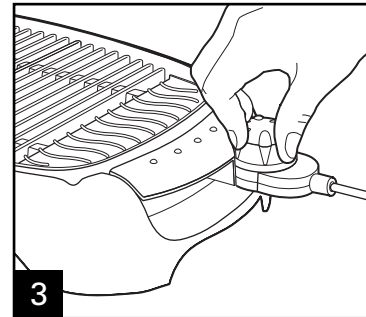
# How to Grill



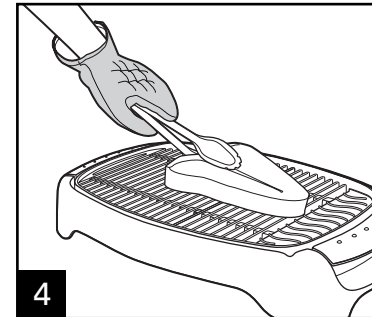
**1** Set base on countertop. Place grid on base correctly.



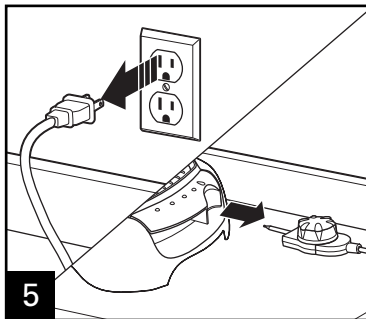
**2** Plug power cord into the cord receptacle, and then plug into outlet. The indicator light on the power cord will glow.



**3** Set temperature control dial to desired heat setting. Preheat 5 to 10 minutes before grilling.



**4** Use only utensils which are high-heat resistant (~450°F/232°C) and safe for nonstick surfaces. This will help prolong the life of the nonstick coating.



**5** When finished grilling, turn control to MIN. Remove plug from outlet and then from cord receptacle.

## GRILLING TIPS:

- Please remember that your grill is coated with a nonstick surface and that plastic utensils should always be used.
- If grilling vegetables, fish, or lean meat, spray the grilling surface with a cooking spray. If grilling meat with any amount of fat, or if the food has been marinated, there is no need to treat the grill.
- For best results, preheat the grill for 5 to 10 minutes before grilling.
- Skewers are available in most large supermarkets. If using the disposable, wooden-type skewers, soak the skewers in water at least 10 minutes before threading on food. This prevents the skewer from scorching and makes a more attractive presentation.
- If using a marinade with oil, place grill near an exhaust hood. Oil or fat will produce some smoke.

# Cooking Charts

GRILL FOOD	TEMPERATURE	INTERNAL TEMP.*	APPROX. COOKING TIME**
Chicken Breasts, Boneless	375°F (190°C)	170°F (77°C)	20 to 30 minutes
Hamburgers (1/4 lb [115 g] each)	350°F (180°C)	145°F (63°C)	15 to 20 minutes
Pork Chops (3/4"-1" [1.9-2.5 cm] thick)	350°F (180°C)	145°F (63°C)	20 to 30 minutes
Sausage Links and Patties	350°F (180°C)	160°F (72°C)	8 to 12 minutes
Turkey Burgers (1/4 lb [115 g] each)	350°F (180°C)	165°F (74°C)	10 to 15 minutes

\*Visit **foodsafety.gov** for more information on safe internal cooking temperatures.

\*\*All cooking times are based on fresh, NOT frozen foods.

## IF YOU LIVE IN A HIGH-ALTITUDE AREA:

The Extension service will have detailed information about cooking for your area. To locate the Cooperative Extension service in your county, please visit: <http://www.csrees.usda.gov/Extension/>.

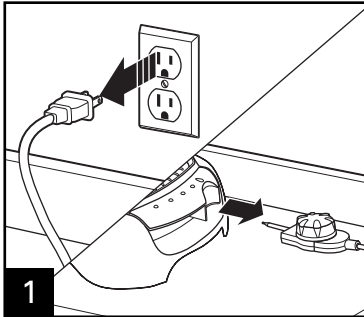
## Care and Cleaning

**⚠ WARNING**

**Electrical Shock Hazard.**

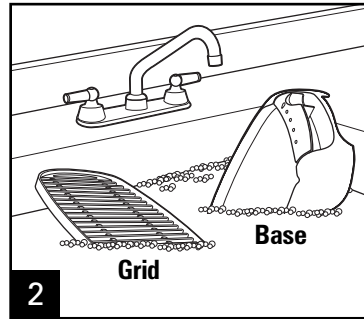
Disconnect power before cleaning.

Do not immerse cord or plug in any liquid.



**1**

Unplug; allow to cool completely. Do not use metal scouring pads or abrasive cleansers.



**2**

Wash all parts EXCEPT variable-heat power cord in hot, soapy water. Dry thoroughly. If necessary, wipe the variable-heat power cord with a damp cloth and then wipe dry.

## *Limited Warranty*

This warranty applies to products purchased and used in the U.S. This is the only express warranty for this product and is in lieu of any other warranty or condition.

This product is warranted to be free from defects in material and workmanship for a period of two (2) years from the date of original purchase. During this period, your exclusive remedy is repair or replacement of this product or any component found to be defective, at our option; however, you are responsible for all costs associated with returning the product to us and our returning a product or component under this warranty to you. If the product or component is no longer available, we will replace with a similar one of equal or greater value.

This warranty does not cover glass, filters, wear from normal use, use not in conformity with the printed directions, or damage to the product resulting from accident, alteration, abuse, or misuse. This warranty extends only to the original consumer purchaser or gift recipient. Keep the original sales receipt, as proof of purchase is required to make a warranty claim. This warranty is void if the product is used for other than single-family household use or subjected to any voltage and waveform other than as specified on the rating label (e.g., 120V ~ 60 Hz).

We exclude all claims for special, incidental, and consequential damages caused by breach of express or implied warranty. All liability is limited to the amount of the purchase price. **Every implied warranty, including any statutory warranty or condition of merchantability or fitness for a particular purpose, is disclaimed except to the extent prohibited by law, in which case such warranty or condition is limited to the duration of this written warranty.** This warranty gives you specific legal rights. You may have other legal rights that vary depending on where you live. Some states or provinces do not allow limitations on implied warranties or special, incidental, or consequential damages, so the foregoing limitations may not apply to you.

To make a warranty claim, do not return this appliance to the store. Please call 1.855.424.7780. For faster service, locate the model, type, and series numbers on your appliance.