

READ BEFORE USE
LIRE AVANT UTILISATION
LEA ANTES DE USAR

Visit www.hamiltonbeach.com for our complete line of products and Use and Care Guides – as well as delicious recipes, tips, and to register your product online



Rendez-vous sur www.hamiltonbeach.ca pour notre liste complète de produits et de nos manuels utilisateur – ainsi que nos délicieuses recettes, nos conseils et pour enregistrer votre produit en ligne

Visite www.hamiltonbeach.com.mx para obtener nuestra línea completa de productos y las Guías de Uso y Cuidado, además de deliciosas recetas, consejos y para registrar su producto en línea

Questions

Please call us – our friendly associates are ready to help.
USA: 1.800.851.8900

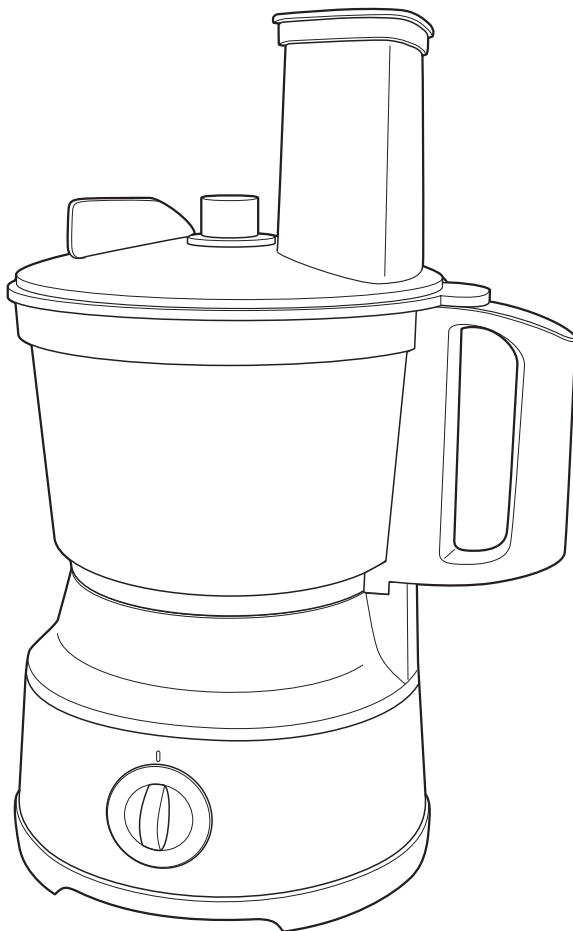
Questions

N'hésitez pas à nous appeler – nos associés s'empresseront de vous aider.
CAN : 1.800.267.2826

Preguntas

Por favor llámenos – nuestros amables representantes están listos para ayudar.
MEX: 01 800 71 16 100

Le invitamos a leer cuidadosamente este instructivo antes de usar su aparato.



**Hamilton
Beach®**

Food Processor
Robot culinaire
Procesador de alimentos

English	2
Français	13
Español	25

IMPORTANT SAFEGUARDS

When using electrical appliances, basic safety precautions should always be followed to reduce the risk of fire, electric shock, and/or injury to persons, including the following:

1. Read and save all instructions.
2. This appliance is not intended for use by persons with reduced physical, sensory, or mental capabilities, or lack of experience and knowledge, unless they are closely supervised and instructed concerning use of the appliance by a person responsible for their safety.
3. This appliance shall not be used by children. Keep the appliance and its cord out of reach of children.
4. Close supervision is necessary when any appliance is used near children. Children should be supervised to ensure that they do not play with the appliance.
5. To protect against risk of electrical shock, do not immerse base, motor, cord, or plug in water or other liquid.
6. Turn the appliance OFF(●), then unplug from outlet when not in use, before putting on or taking off parts, and before cleaning. To unplug, grasp the plug and pull from the outlet. Never pull from the power cord.
7. Avoid contacting moving parts.
8. Do not operate any appliance with a damaged supply cord or plug, or after the appliance malfunctions or has been dropped or damaged in any manner. Supply cord replacement and repairs must be conducted by the manufacturer, its service agent, or similarly qualified persons in order to avoid a hazard. Call the provided customer service number for information on examination, repair, or adjustment.
9. The use of attachments not recommended or sold by the appliance manufacturer may cause fire, electric shock, or injury.
10. Do not use your food processor if any part is broken.
11. Do not use outdoors.
12. Do not let cord hang over edge of table or counter or touch hot surfaces, including stove
13. Keep hands and utensils away from moving blade and disc while processing food to reduce the risk of severe personal injury and/ or damage to the food processor. A rubber scraper may be used but must be used ONLY when the food processor is not running.
14. Blades are sharp. Handle cutting blades carefully when inserting or removing, emptying the bowl, and during cleaning. Store out of reach of children.
15. To reduce the risk of injury, be sure to insert or remove blade and disc using hubs provided for this purpose. Use caution when removing blade and disc from the bowl, when emptying the bowl, and when cleaning.
16. Be certain lid is securely locked in place before operating appliance.
17. Never feed food into food chute by hand. Always use the food pushers.
18. Do not attempt to defeat the lid interlock mechanism.
19. Make sure the blade or disc has come to a full stop before removing lid.
20. To reduce the risk of injury, never place cutting blade or disc on base without first putting bowl properly in place.
21. Check that the control is OFF (●) before plugging cord into wall outlet. To disconnect, turn the control to OFF (●); then remove plug from wall outlet.
22. Be sure to turn switch to OFF (●) position after each use. Always use the pushers to clear the food chute. When this method is not possible, unplug cord from outlet and disassemble unit to remove the remaining food.
23. The appliance is not intended for commercial, professional, or industrial use. It is designed and built exclusively for household use only.

24. Never use appliance for a longer period or with a larger amount of ingredients other than that recommended by appliance manufacturer.
25. The maximum rating of this unit is based on using the chopping/ mixing blade. Using the slicing/shredding disc may draw significantly less power.
26. Do not place on or near a hot gas or electric burner or in a heated oven.
27. Do not use appliance for other than intended use.
28. Be careful if hot liquid is poured into the food processor bowl as it can be ejected out of the appliance due to a sudden steaming.
29. Do not fill the bowl above the marked maximum fill line (or rated capacity) to avoid risk of injury due to damage to the cover or bowl.
30. **CAUTION!** In order to avoid a hazard due to inadvertent resetting of the thermal cut-out, this appliance must not be supplied through an external switching device, such as a timer, or connected to a circuit that is regularly switched on and off by the utility.

SAVE THESE INSTRUCTIONS

Other Consumer Safety Information

This product is intended for household use only.

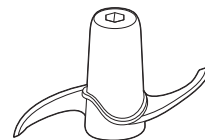
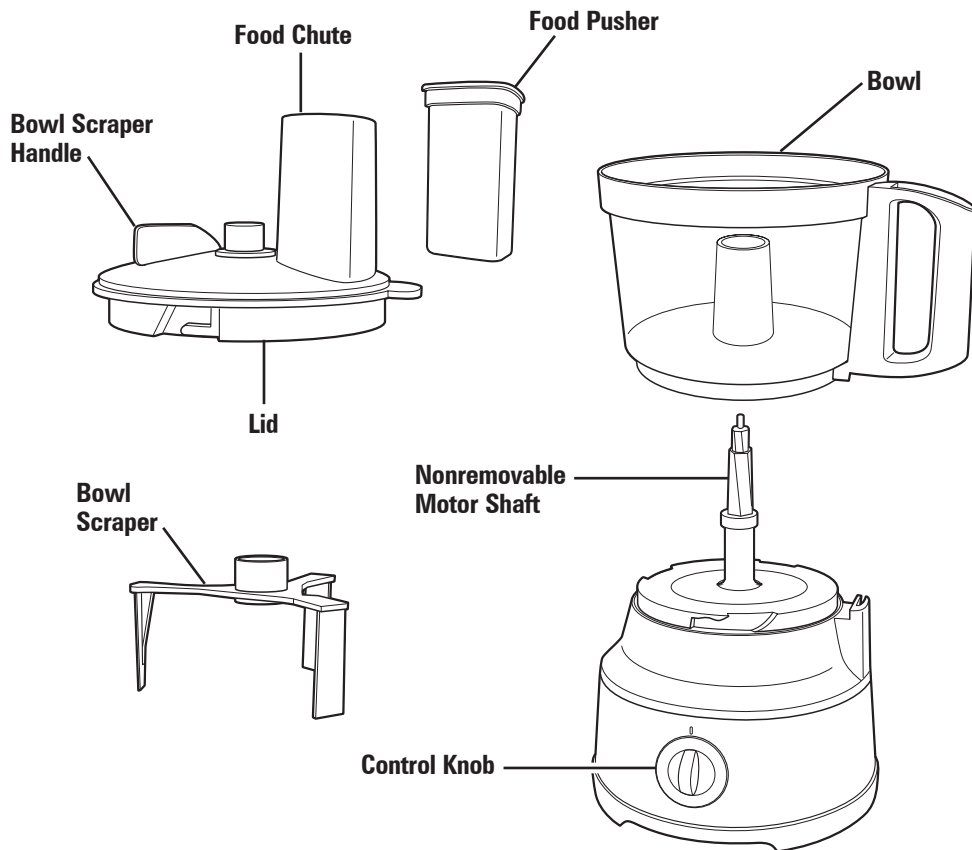
⚠ WARNING Shock Hazard: This appliance has a polarized plug (one wide blade) that reduces the risk of electric shock. The plug fits only one way into a polarized outlet. Do not defeat the safety purpose of the plug by modifying the plug in any way or by using an adapter. If the plug does not fit fully into the outlet, reverse the plug. If it still does not fit, have an electrician replace the outlet.

The length of the cord used on this appliance was selected to reduce the hazards of becoming tangled in or tripping over a longer cord. If a longer cord is necessary, an approved extension cord may be used. The electrical rating of the extension cord must be equal to or greater than the rating of the appliance. Care must be taken to arrange the extension cord so that it will not drape over the countertop or tabletop where it can be pulled on by children or accidentally tripped over.

To avoid an electrical circuit overload, do not use another high-wattage appliance on the same circuit with your food processor.

Parts and Features

BEFORE FIRST USE: Unpack processor. Handle blade and disc(s) carefully; they are very sharp. Wash all parts except base in hot, soapy water. Rinse; then dry.



Chopping/Mixing Blade

Use to coarsely chop, grate, mince, mix, or puree food.



Reversible Slicing/Shredding Disc

Use to shred or to slice a variety of foods (such as cheese, carrots, onions, tomatoes, peppers, and cucumbers).

OPTIONAL ACCESSORY Crinkle Cut/Fine Shred Disc

To order:

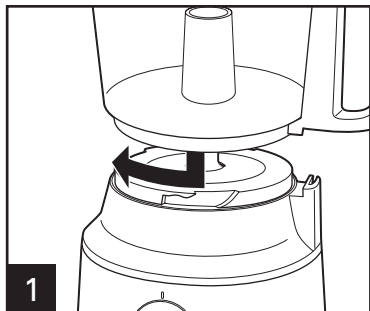
1.800.851.8900 (US)

1.800.267.2826 (Canada)

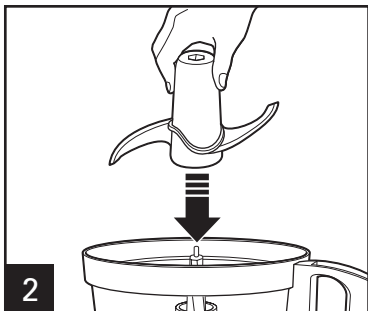
How to Use Chopping/ Mixing Blade

⚠ WARNING Laceration Hazard. Handle blade carefully; it is very sharp. Make sure control knob is turned to OFF (O) and unit is unplugged.

NOTE: Operate using only one blade or disc at a time.



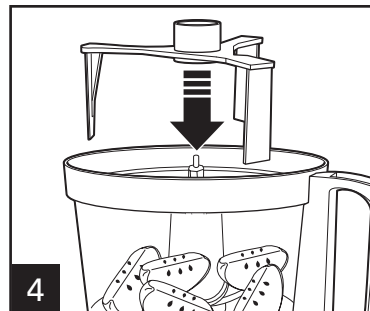
1 Align bowl and base. Turn bowl clockwise to lock into place. **NOTE:** Unit will not work unless bowl is locked.



2 Carefully place blade straight down onto the interlock shaft.

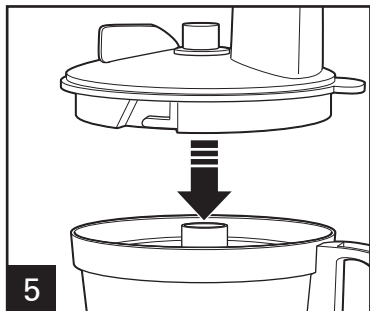


3

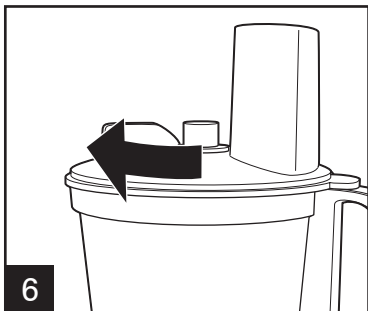


4

OPTIONAL: Add bowl scraper if ingredients to be processed will stick to sides of bowl and need to be processed further or blended with rest of mixture.



5 Align lid and bowl. Turn lid clockwise to lock into place. **NOTE:** Unit will not work unless lid is locked.



6

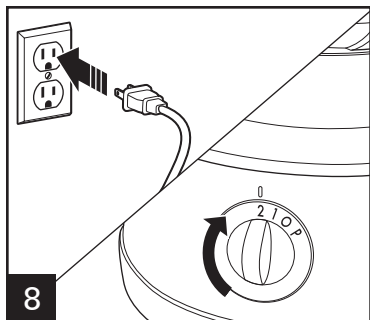


7

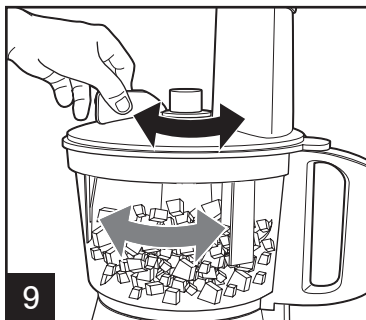
Place food pusher in food chute.

⚠ WARNING Laceration Hazard: Always use food pusher to feed food into the chute. **NEVER PUSH FOOD THROUGH CHUTE WITH HANDS OR OTHER OBJECTS.**

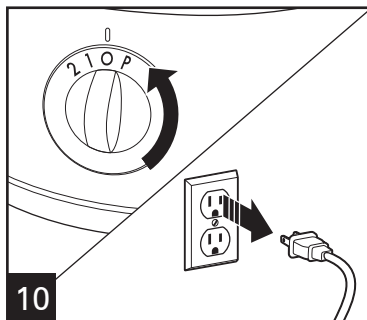
How to Use Chopping/Mixing Blade (cont.)



8 Select **1**, **2**, or **P** on control knob. **1** or **2**: Processor will run continuously. **P (PULSE)**: For instant on and off control.

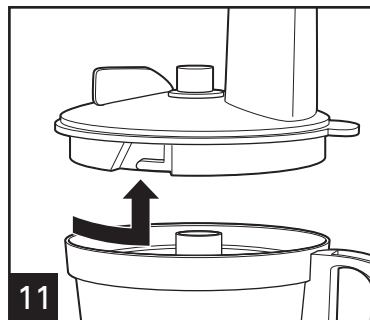


9 Turn bowl scraper handle on top of lid back and forth to remove food from sides of bowl. Bowl scraper can be used when unit is running or when it is OFF.

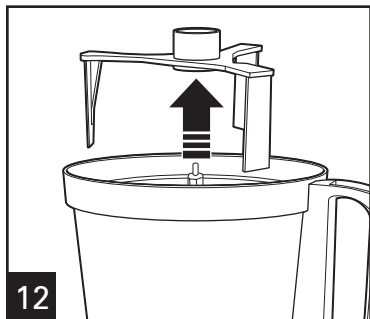


10 When finished, turn to OFF (●) and unplug.

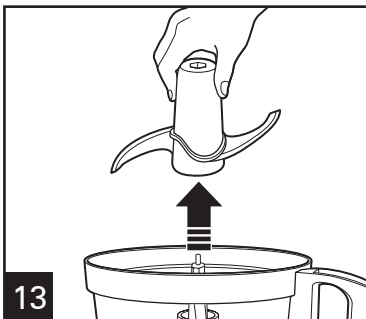
⚠ WARNING Laceration Hazard: Always unplug unit before removing lid.



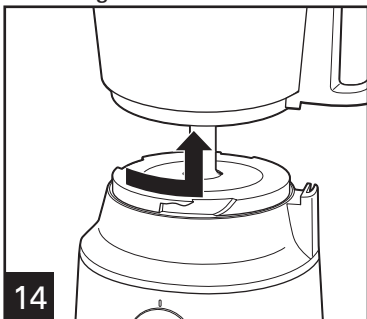
11 Always remove lid before removing bowl to avoid possible damage to the appliance.



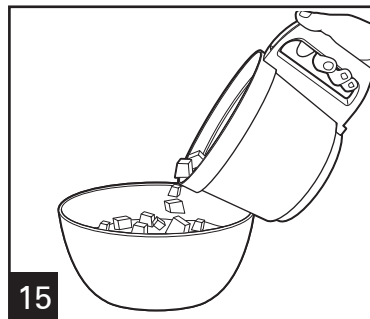
12 Remove bowl scraper, if used.



13 Carefully remove blade from motor shaft.



14



15

How to Use Reversible Slicing/Shredding Disc

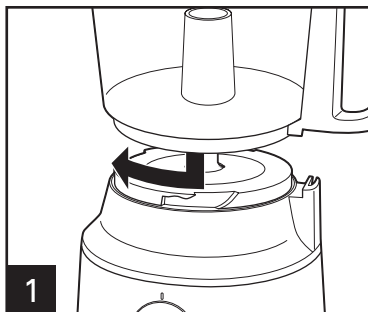
⚠ WARNING Laceration Hazard.

Handle disc carefully; it is very sharp.

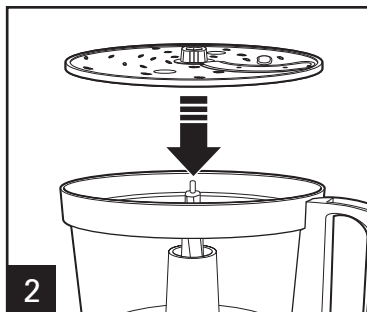
Make sure control knob is turned to OFF (O) and unit is unplugged.

NOTE: Operate using only one blade or disc at a time.

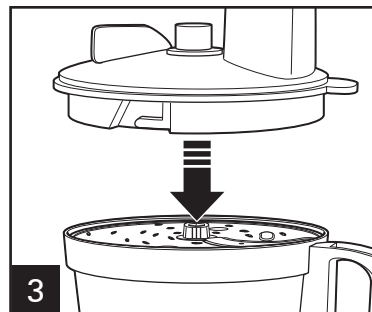
Bowl scraper cannot be used with the reversible slicing/shredding disc.



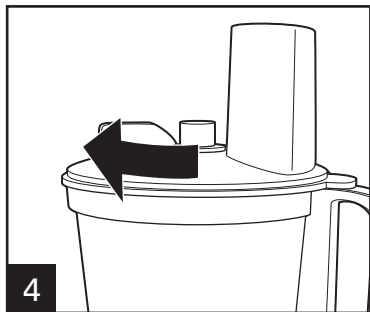
1 Align bowl and base. Turn bowl clockwise to lock into place.
NOTE: Unit will not work unless bowl is locked.



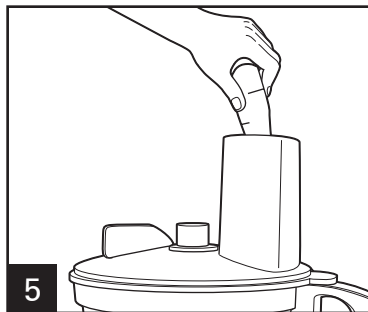
2 Carefully place disc onto motor shaft with desired side facing UP. ("SLICE" or "SHRED" is stamped on each side of the blade.)



3 Align lid and bowl.

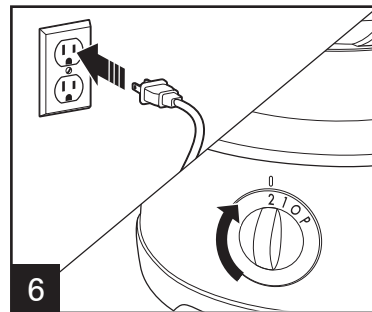


4 Turn lid clockwise to lock into place. **NOTE:** Unit will not work unless lid is locked.



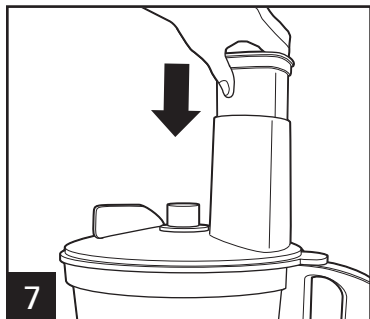
5 Cut food to fit food chute. Fill chute with food.

NOTE: Soft cheese like mozzarella must be placed in the freezer for 30 minutes prior to processing to ensure it is firm enough for shredding.

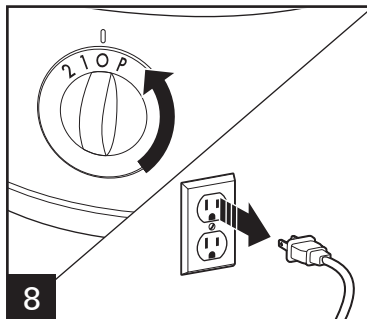


6 Select 1, 2, or P on control knob. 1 or 2: Processor will run continuously. P (PULSE): For instant on and off control.

How to Use Reversible Slicing/Shredding Disc (cont.)

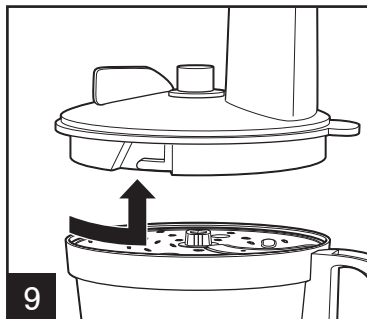


7 **⚠ WARNING Laceration Hazard:** Always use food pusher to feed food into the chute. NEVER PUSH FOOD THROUGH CHUTE WITH HANDS OR OTHER OBJECTS.

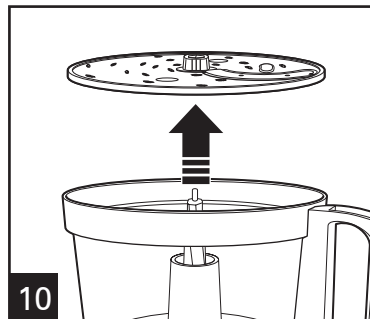


8 When finished, turn OFF (⏻) and unplug.

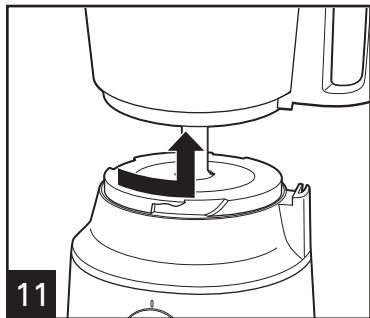
⚠ WARNING Laceration Hazard: Always unplug unit before removing lid.



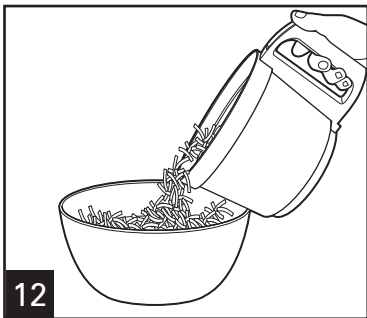
9 Always remove lid before removing bowl to avoid possible damage to the appliance.



10 Carefully remove disc from motor shaft.



11



12

Tips and Techniques

- Add the bowl scraper to bowl before processing ingredients that will stick to the sides of the bowl.
- For a more uniform consistency, start with pieces of food that are similar in size. Cut food into 1-inch (2.5-cm) pieces before processing with chopping/mixing blade and leave room in bowl for the food to be tossed around.
- This food processor is excellent to chop, mix, slice, or shred most foods. However, to maintain peak performance, do not use your food processor for the following: grinding grain, coffee beans, or spices; slicing frozen meats; kneading dough; or crushing ice.
- When chopping foods, pulsing on and off will produce the best results.
- Operating time will depend on quantity of food being processed. Most foods can be sliced, chopped, or shredded in seconds. If unit is operated continuously for an extended period of time, let the processor rest about 4 minutes before continuing.
- Do not puree or mash starchy vegetables like potatoes as they are easily overprocessed and will become gummy.
- To slice or shred cheese, use only firm cheese like Cheddar or Swiss that has been chilled for at least 30 minutes. Cheese should be processed immediately after being removed from the refrigerator. Soft cheese like mozzarella must be placed in the freezer for 30 minutes prior to processing to ensure it is firm enough for shredding.
- The reversible slicing/shredding disc has a slicing blade on one side and shredding teeth on the other. The name stamped on the blade, facing up, is the function selected. Place on motor shaft with desired cutting edge facing up.

Processing Charts

Disc attachments are reversible and labeled. The label should face up for the desired function. When using disc attachments, do not process past the MAX LEVEL on the bowl.

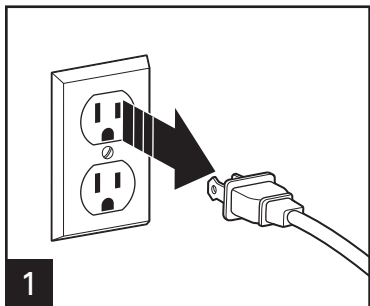
ATTACHMENT	FOODS
Chopping/Mixing Blade	Chop: nuts, meat, garlic, onions, peppers, celery, herbs, bread (for crumbs), crackers Mince/Puree: vegetables, fruit Mix: salad dressings Puree: soups, sauces Grate: cheese, such as Parmesan (chilled)
Slicing Disc (slicing side facing UP)	Cucumbers, apples, mushrooms, carrots, potatoes, cabbage, tomatoes, pepperoni, peppers, radishes, firm cheeses (chilled)
Shredding Disc (shredding side facing UP)	Cabbage, potatoes, carrots, cheese (chilled)

For best results do not exceed the following amounts when chopping, mincing, or pureeing with the chopping/mixing blade.

FOOD	MAXIMUM AMOUNT
Fruits and Vegetables	2 to 3 cups (500 to 750 ml) (cut into 1-in. [2.5-cm] cubes)
Meats	0.7 lb. (350 g) (cut into 1-in. [2.5-cm] cubes)
Parmesan or Romano	5 ounces (140 g) (cut into 1-in. [2.5-cm] cubes)
Cheddar, Jack, Mozzarella	8 ounces (226 g) (cut into 1-in. [2.5-cm] cubes)
Crackers	10 cups (2.3 L) (can fill bowl and lid up into chute)

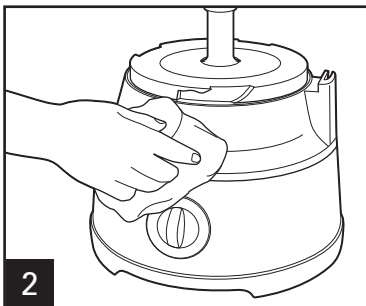
Cleaning and Care

⚠ WARNING Electrical Shock Hazard. Disconnect power before cleaning. Do not immerse cord, plug, or base in any liquid.

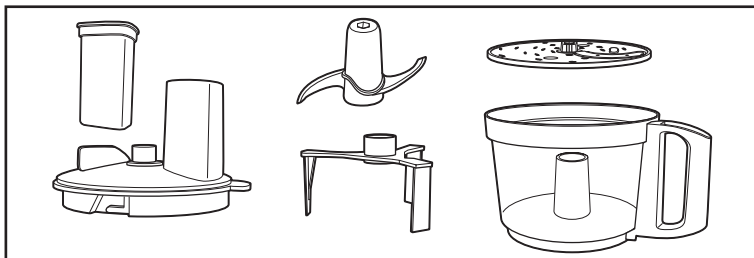


1

Wipe base, control knob, and cord with a damp cloth or sponge. If necessary, use a mild nonabrasive cleanser.



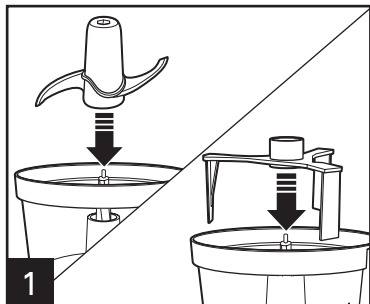
2



DISHWASHER-SAFE (TOP RACK ONLY)

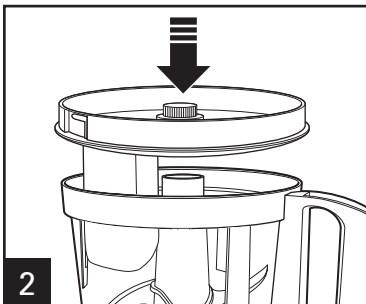
DO NOT use the "SANI" setting when washing in the dishwasher. "SANI" cycle temperatures could damage your product. All removable parts may also be cleaned in the sink with hot, soapy water. Use caution when washing chopping/mixing blade and slicing/shredding disc.

Storage (To Keep All Parts Together)



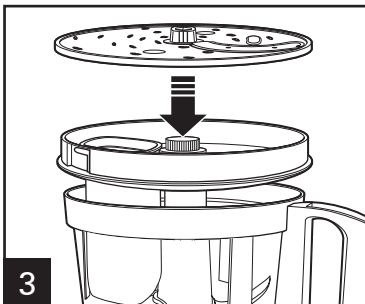
1

Place chopping/mixing blade and then bowl scraper on motor shaft.



2

Flip lid upside down and place in bowl. Place food pusher in food chute.



3

Place slicing/shredding disc onto motor shaft.

⚠ WARNING Laceration Hazard. Store slicing/shredding disc with slicing side down. Handle carefully.

Troubleshooting

PROBLEM

PROBABLE CAUSE

Unit does not operate on any speed or Pulse.

- Is the unit plugged in? Does the outlet work?
- Are the bowl and lid locked in place? See “How to Use” sections.

Food is not sliced or shredded uniformly.

- Packing too much food in the food chute or pushing too hard on the food pusher may cause the processed food to be irregularly sliced or shredded. Refer to the Food Processing Charts for recommended sizes and quantities.

Unit stops and will not come back on.

- Are the bowl and lid locked in place? They may have moved slightly during processing. See “How to Use” sections.
- Is the outlet still working? Check it by plugging in a working lamp or other appliance. You may have overloaded the circuit and blown a fuse or tripped the circuit breaker.
- Turn unit OFF (●), allow to stand for 3 to 4 minutes, and then turn back ON. If none of these suggestions correct the problem, DO NOT attempt to repair the unit. Call the Customer Service number to get the name of your nearest Authorized Service Center.

Unit has a burning smell.

- There may be a residue left on the motor from the manufacturing process, causing a slight odor during initial use. This will go away. If a strong odor or any visible smoke appears, unplug unit IMMEDIATELY and call the Customer Service number.

Motor seems weak.

- Are you using the recommended food size and quantity to be processed? Refer to the Food Processing Charts for recommended food sizes and speeds.

It is difficult to remove bowl from base.

- Rub a small amount of vegetable oil on the snaps, located on the base. Do not lock bowl and lid during storage.

Cheese is not shredding well.

- Cheese should be processed immediately after being removed from the refrigerator. Soft cheese like mozzarella must be placed in the freezer for 30 minutes prior to processing to ensure it is firm enough for shredding.

Vegetables are not shredding or slicing.

- Store vegetables with high water content in the refrigerator prior to processing. Room-temperature vegetables are less firm and do not perform as well.

Limited Warranty

This warranty applies to products purchased and used in the U.S. and Canada. This is the only express warranty for this product and is in lieu of any other warranty or condition.

This product is warranted to be free from defects in material and workmanship for a period of one (1) year from the date of original purchase. During this period, your exclusive remedy is repair or replacement of this product or any component found to be defective, at our option; however, you are responsible for all costs associated with returning the product to us and our returning a product or component under this warranty to you. If the product or component is no longer available, we will replace with a similar one of equal or greater value.

This warranty does not cover glass, filters, wear from normal use, use not in conformity with the printed directions, or damage to the product resulting from accident, alteration, abuse, or misuse. This warranty extends only to the original consumer purchaser or gift recipient. Keep the original sales receipt, as proof of purchase is required to make a warranty claim. This warranty is void if the product is used for other than single-family household use or subjected to any voltage and waveform other than as specified on the rating label (e.g., 120V ~ 60 Hz).

We exclude all claims for special, incidental, and consequential damages caused by breach of express or implied warranty. All liability is limited to the amount of the purchase price. **Every implied warranty, including any statutory warranty or condition of merchantability or fitness for a particular purpose, is disclaimed except to the extent prohibited by law, in which case such warranty or condition is limited to the duration of this written warranty.** This warranty gives you specific legal rights. You may have other legal rights that vary depending on where you live. Some states or provinces do not allow limitations on implied warranties or special, incidental, or consequential damages, so the foregoing limitations may not apply to you.

To make a warranty claim, do not return this appliance to the store. Please call 1.800.851.8900 in the U.S. or 1.800.267.2826 in Canada or visit hamiltonbeach.com in the U.S. or hamiltonbeach.ca in Canada. For faster service, locate the model, type, and series numbers on your appliance.

PRÉCAUTIONS IMPORTANTES

Pour utiliser un appareil électroménager, vous devez toujours prendre des mesures élémentaires de sécurité pour réduire le risque d'incendie, d'électrocution et/ou de blessure corporelle, en particulier les mesures suivantes :

1. Lire et conserver toutes les instructions.
2. Cet appareil n'est pas destiné à être utilisé par des personnes dont les capacités physiques, sensorielles ou mentales sont réduites, ou manquant d'expérience et de connaissance, sauf si elles sont étroitement surveillées et instruites sur l'utilisation de l'appareil par une personne responsable de leur sécurité.
3. Cet appareil ne devrait pas être utilisé par des enfants. Garder l'appareil et son cordon hors de la portée des enfants.
4. Une surveillance étroite est requise pour tout appareil utilisé près des enfants. Surveiller que les enfants ne jouent pas avec l'appareil.
5. Pour éviter les risques d'électrocution, ne pas immerger le cordon, la fiche, la base ou le moteur dans l'eau ou tout autre liquide.
6. Fermer l'appareil (○), puis le débrancher de la prise lorsqu'il n'est pas utilisé, avant d'assembler ou de désassembler des pièces ou avant de le nettoyer. Pour le débrancher, tenir la fiche et la retirer de la prise. Ne jamais tirer sur le cordon.
7. Éviter de toucher les parties mobiles.
8. Ne pas faire fonctionner un appareil électroménager avec un cordon ou une fiche endommagée, ou lorsque l'appareil ne fonctionne pas bien ou a été échappé ou endommagé d'une manière quelconque. Le remplacement et la réparation du cordon d'alimentation doivent être faits par le fabricant, son agent de service ou toute personne qualifiée de façon à éviter tout danger. Appeler le numéro de service à la clientèle fourni pour des renseignements concernant l'examen, la réparation ou l'ajustement.
9. L'utilisation d'accessoires non recommandés par le fabricant ou vendus par le fabricant de l'appareil peut causer des blessures.
10. Ne pas utiliser votre robot culinaire si des pièces sont brisées.
11. Ne pas utiliser à l'extérieur.
12. Ne pas laisser pendre le cordon de la table ou du comptoir et éviter tout contact entre le cordon et les surfaces chaudes incluant la cuisinière.
13. Tenir les mains et les ustensiles éloignés de la lame et du disque en mouvement pendant la transformation des aliments pour éviter les blessures graves et les dommages au robot culinaire. Un racloir en plastique peut être utilisé, mais **UNIQUEMENT** pendant l'arrêt du robot culinaire.
14. Les lames sont tranchantes. Manipuler les lames de coupe avec soins pendant l'insertion ou le retrait, lors du vidage du bol et pendant le nettoyage. Ranger hors de la portée des enfants.
15. Pour éviter les risques de blessures, s'assurer d'installer ou de retirer la lame et le disque en utilisant les embouts fournis à cet effet. Faire preuve de prudence au moment de retirer la lame ou le disque du récipient, pendant le vidage du récipient et lors du nettoyage.
16. S'assurer que le couvercle est en place et bien verrouillé avant de faire fonctionner l'appareil.
17. Ne jamais introduire d'aliments dans l'entonnoir avec les mains. Toujours utiliser les poussoirs.
18. Ne pas tenter de modifier aucun mécanisme de verrouillage par enclenchement.
19. S'assurer que la lame ou le disque cesse de fonctionner avant de retirer le couvercle.
20. Pour éviter les risques de blessures, ne jamais placer la lame de coupe ou un disque sur le socle sans avoir préalablement installé le récipient correctement.

21. S'assurer que le bouton de commande est à (○) (ARRÊT) avant de débrancher la fiche de la prise. Pour débrancher, tourner le bouton de commande à (○) (ARRÊT) puis débrancher la fiche de la prise murale.
22. S'assurer que le commutateur est en position d'arrêt (○) après chaque utilisation. Toujours utiliser les poussoirs pour désobstruer l'entonnoir. Lorsque cette méthode est impossible, débrancher le cordon de la prise et démonter le récipient pour retirer les aliments coincés.
23. Cet appareil n'est pas conçu pour une utilisation commerciale, professionnelle ou industrielle. Cet appareil est conçu uniquement pour une utilisation domestique.
24. Ne jamais prolonger le temps de fonctionnement de cet appareil ou utiliser des quantités d'aliments supérieures aux recommandations du fabricant.
25. La valeur nominale de cet appareil repose uniquement sur l'utilisation de la lame à hacher/mélanger. L'utilisation du disque à trancher/râper exige est moins énergivore.
26. Ne placer jamais votre appareil électroménager à proximité ou sur un brûleur électrique ou à gaz chaud ou dans un four chaud.
27. N'utiliser cet appareil que pour les fonctions auxquelles il est destiné.
28. Soyez prudent lorsque vous versez un liquide chaud dans le bol du robot culinaire, car il peut éclabousser hors de l'appareil en raison de la production d'une vapeur soudaine.
29. Ne pas remplir le bol au-delà de la marque de remplissage maximum (ou de la capacité indiquée) pour éviter les risques de blessure causée par des dommages occasionnée au couvercle ou au bol.
30. **ATTENTION !** Afin d'éviter un danger découlant d'une réinitialisation accidentelle du rupteur thermique, se dispositif ne doit pas être alimenté par l'entremise d'un appareil de connexion externe, comme une minuterie, ou connecté à un circuit qui est régulièrement mis sous et hors tension par le service public.

CONSERVER CES INSTRUCTIONS

Autres consignes de sécurité pour le consommateur

Cet appareil est destiné à un usage domestique uniquement.

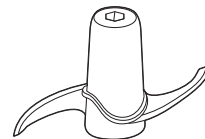
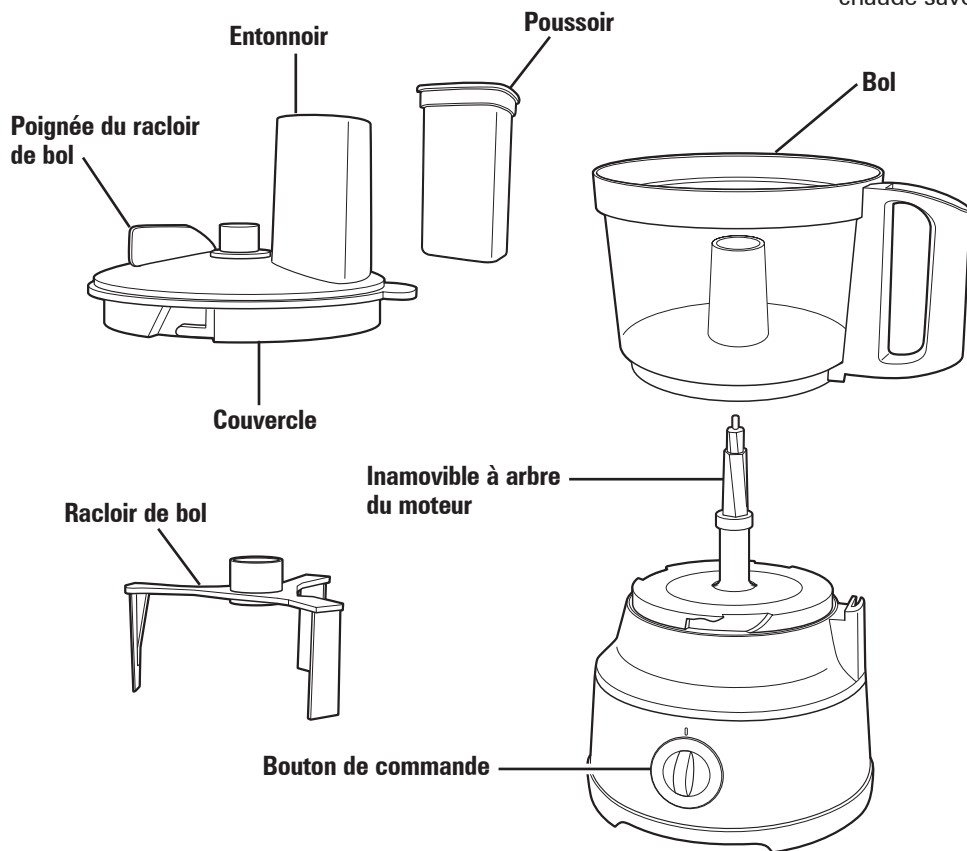
⚠ AVERTISSEMENT **Risque d'électrocution** : Cet appareil électroménager possède une fiche polarisée (une broche large) qui réduit le risque d'électrocution. Cette fiche n'entre que dans un seul sens dans une prise polarisée. Ne contrecarrez pas l'objectif sécuritaire de cette fiche en la modifiant de quelque manière que ce soit ou en utilisant un adaptateur. Si vous ne pouvez pas insérer complètement la fiche dans la prise, inversez la fiche. Si elle refuse toujours de s'insérer, faire remplacer la prise par un électricien.

La longueur du cordon installé sur cet appareil a été sélectionnée afin de réduire les risques d'enchevêtrement ou de faux pas causés par un fil trop long. L'utilisation d'une rallonge approuvée est permise si le cordon est trop court. Les caractéristiques électriques de la rallonge doivent être équivalentes ou supérieures aux caractéristiques de l'appareil. Prendre toutes les précautions nécessaires pour installer la rallonge de manière à ne pas la faire courir sur le comptoir ou sur une table pour éviter qu'un enfant ne tire sur le cordon ou trébuche accidentellement.

Pour éviter la surcharge du circuit électrique, ne pas utiliser un autre appareil à haute puissance sur le même circuit que cet appareil.

Pièces et caractéristiques

AVANT LA PREMIÈRE UTILISATION : Déballage du robot culinaire. Manipuler la lame et les disques avec soin; elles sont très coupantes. Laver toutes les pièces, sauf le socle, à l'eau chaude savonneuse. Rincer et sécher.



Lame à hacher/mélanger

Utiliser pour hacher grossièrement les aliments, pour les effilocheur, pour les ciseler, pour les mélanger ou pour les purer.



Disque réversible à trancher/râper

Utiliser pour râper ou trancher des aliments variés (comme le fromage, les carottes, oignons, tomates, piments et concombres).

ACCESSOIRE FACULTATIF

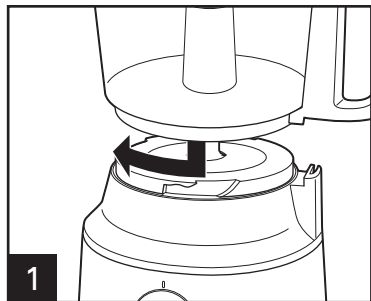
Disque pour frites ondulées/disque déchiqueteur fin

Pour commander :

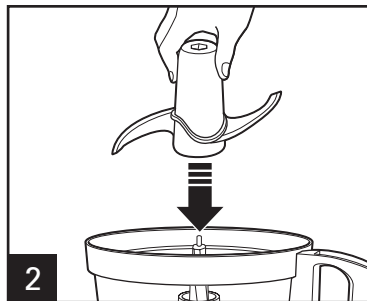
1.800.851.8900 (É.-U.)

1.800.267.2826 (Canada)

Utilisation de la lame à hacher/mélanger



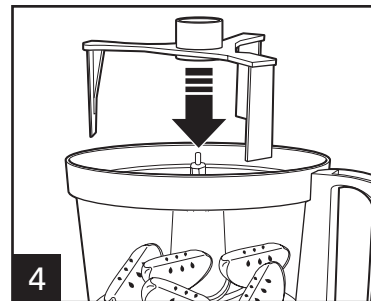
1 Aligner le bol au socle. Tourner le bol dans le sens des aiguilles d'une montre pour le verrouiller en place. **NOTE** : L'appareil ne fonctionne que si le bol est verrouillé. Insérer soigneusement la lame à la verticale sur l'arbre verrouillable.



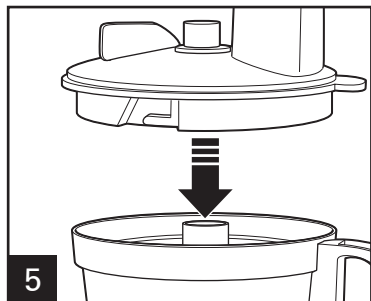
2



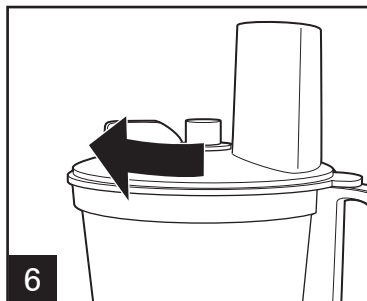
3



4 **FACULTATIF** : Installer le racloir de bol si les ingrédients à transformer collent aux parois du bol et qu'ils doivent être transformés ou mélangés plus longtemps avec le reste du mélange.



5 Aligner le bol et couvercle. Tourner le couvercle dans le sens des aiguilles d'une montre pour verrouiller en place. **NOTE** : L'appareil ne fonctionne que si le couvercle est verrouillé.



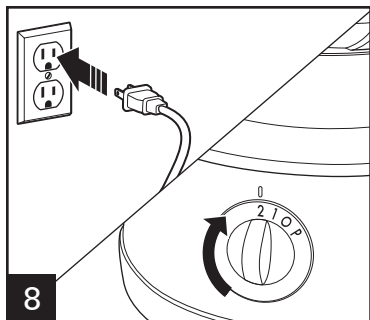
6



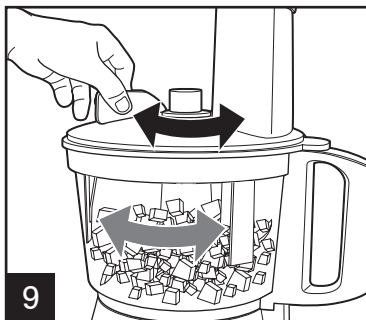
7 Insérer le poussoir dans l'entonnoir.

⚠ AVERTISSEMENT Risque de déchirures : Utiliser toujours le poussoir pour charger les aliments dans l'entonnoir. **NE JAMAIS INTRODUIRE D'ALIMENTS DANS L'ENTONNOIR AVEC LES MAINS OU D'AUTRES OBJETS.**

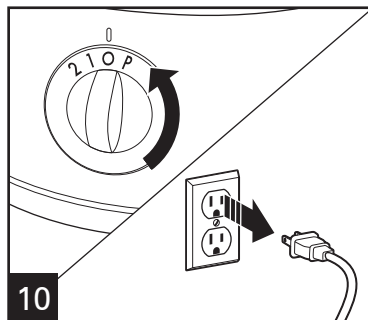
Utilisation de la lame à hacher/mélanger (suite)



8 Choisir **1**, **2**, ou **P** sur le bouton de commande. **1** ou **2** : Le robot fonctionnera de façon continue. **P (PULSE)** : Pour contrôler le fonctionnement ou l'arrêt instantané.

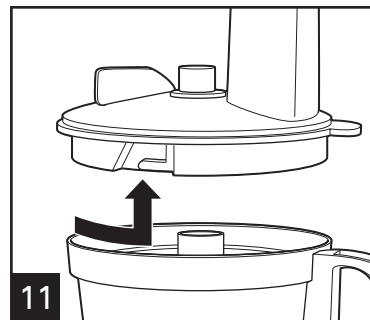


9 Tourner la poignée du racloir de bol située sur le dessus du couvercle vers l'arrière et l'avant pour déloger les aliments des parois du bol. Le racloir de bol peut être utilisé pendant que l'appareil fonctionne ou lorsqu'il est arrêté.

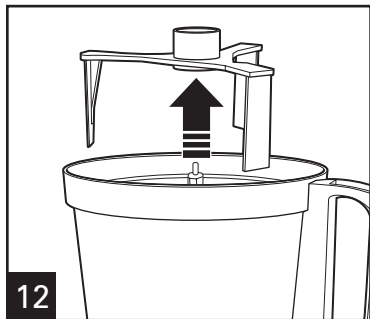


10 Une fois le travail terminé, éteindre (O) l'appareil et débrancher la base.

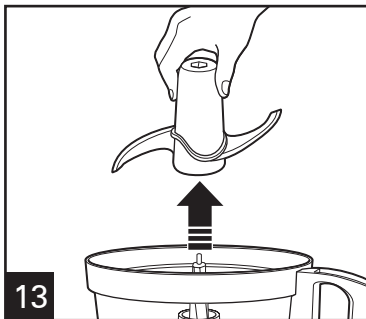
⚠ AVERTISSEMENT Risque de déchirures : Toujours débrancher l'appareil avant de retirer le couvercle.



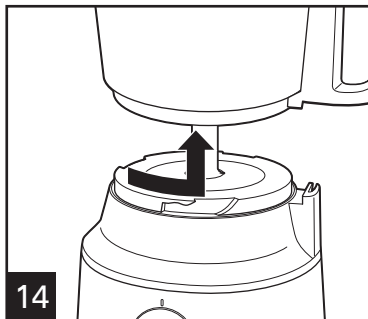
11 Pour éviter tout risque de dommage à l'appareil, toujours retirer le couvercle avant de retirer le bol.



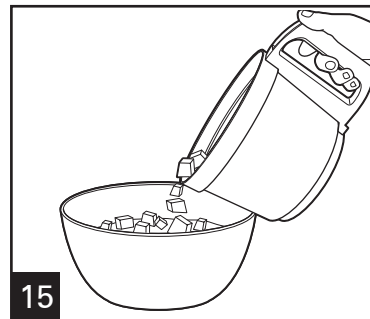
12 Retirer le racloir de bol s'il est utilisé.



13 Retirer soigneusement la lame de l'arbre du moteur.



14



15

Utilisation du disque réversible pour trancher/râper

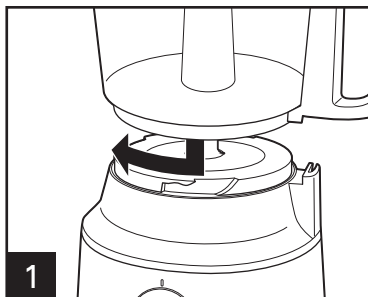
⚠ AVERTISSEMENT Risque de déchirures.

Tenir la lame avec soins ; elle est très coupante.

S'assurer que le bouton de commande est en position d'arrêt (O) et que l'appareil est débranché.

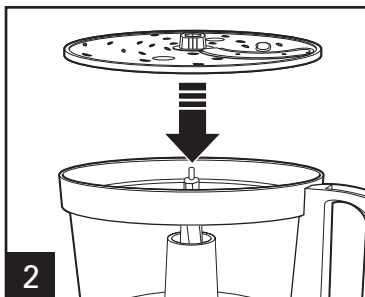
NOTE : N'utiliser qu'une seule lame ou un seul disque à la fois.

Le raclor de bol ne doit pas être utilisé avec le disque réversible pour trancher/râper.

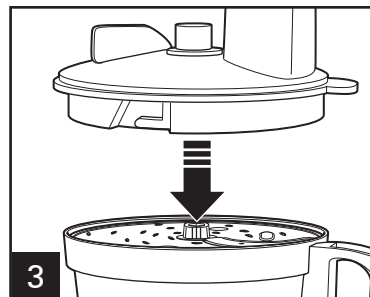


1 Aligner le bol au socle. Tourner le bol dans le sens des aiguilles d'une montre pour le verrouiller en place.

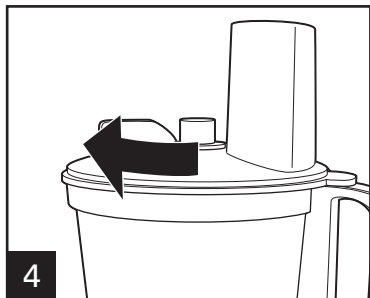
NOTE : L'appareil ne fonctionne que si le bol est verrouillé.



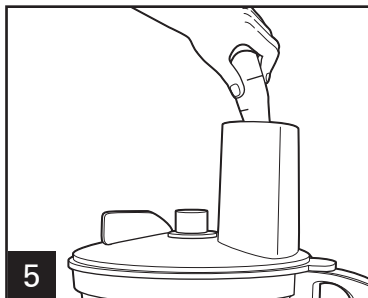
2 Placer soigneusement le disque sur l'arbre du moteur en plaçant la face désirée vers le HAUT. (La lame est gravée des mots « SLICE » [trancher] ou « SHRED » [râper] de chaque côté de la lame).



3 Aligner le bol et couvercle.

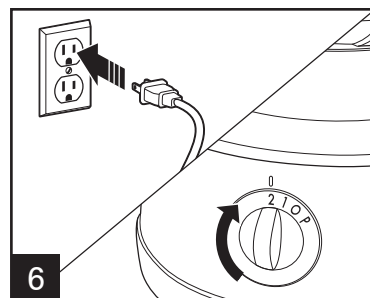


4 Tourner le couvercle dans le sens des aiguilles d'une montre pour verrouiller en place. **NOTE** : L'appareil ne fonctionne que si le couvercle est verrouillé.



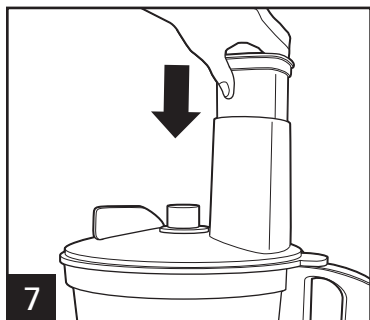
5 Tailler les aliments pour qu'ils s'insèrent dans l'entonnoir. Remplir l'entonnoir d'aliments.

REMARQUE : Les fromages mous comme la mozzarella doivent être placés au congélateur pendant 30 minutes avant sa transformation pour assurer une fermeté suffisante avant de le râper.

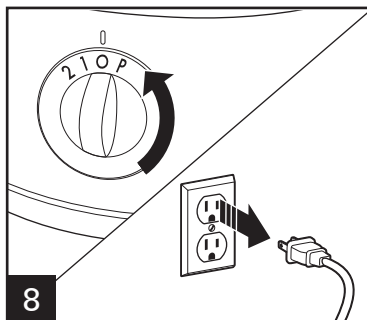


6 Choisir **1**, **2**, ou **P** sur le bouton de commande. **1** ou **2** : Le robot fonctionnera de façon continue. **P (PULSE)** : Pour contrôler le fonctionnement ou l'arrêt instantané.

Utilisation du disque réversible pour trancher/râper (suite)

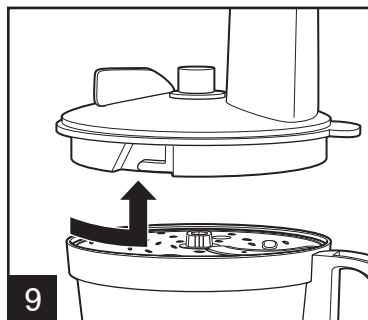


7 **⚠ AVERTISSEMENT** Risque de déchirures : Utiliser toujours le poussoir pour charger les aliments dans l'entonnoir. **NE JAMAIS INTRODUIRE D'ALIMENTS DANS L'ENTONNOIR AVEC LES MAINS OU D'AUTRES OBJETS.**

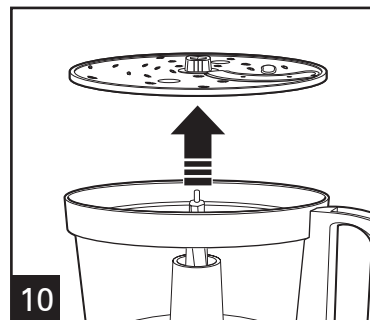


8 Une fois le travail terminé, éteindre (O) l'appareil et débrancher la base.

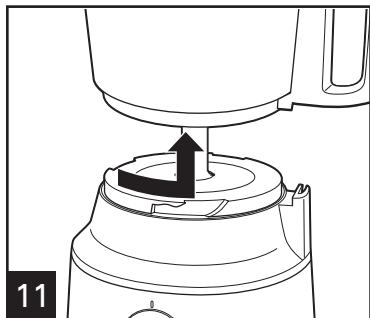
⚠ AVERTISSEMENT Risque de déchirures : Toujours débrancher l'appareil avant de retirer le couvercle.



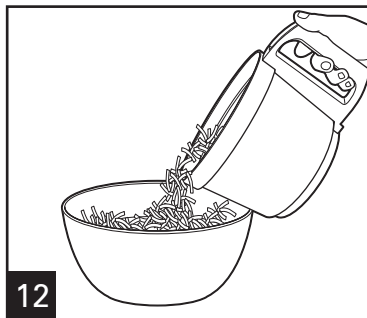
9 Pour éviter tout risque de dommage à l'appareil, toujours retirer le couvercle avant de retirer le bol.



10 Retirer soigneusement le disque de l'arbre du moteur.



11



12

Conseils et méthodes

- Insérer le racloir de bol avant de transformer des ingrédients qui colleront aux parois du bol.
- Pour obtenir une consistance uniforme, commencer par les morceaux d'aliments de même taille. Couper les aliments en morceaux de 1 pouce (2,5 cm) avant de les passer à la lame à hacher/mélanger; laisser suffisamment d'espace dans bol pour que les aliments circulent.
- Ce robot culinaire est idéal pour hacher, mélanger, trancher ou râper la plupart des aliments. Toutefois, pour assurer un rendement optimal, ne pas utiliser le robot culinaire pour les tâches suivantes : mouler le grain, moure les grains de café ou les épices ; trancher de la viande congelée, pétrir la pâte ou concasser de la glace.
- Pour hacher les aliments et obtenir des résultats optimaux, utiliser le mode d'impulsion en alternant la marche/arrêt.
- Le temps de fonctionnement dépend de la quantité d'aliments à transformer. La plupart des aliments peuvent être tranchés, hachés ou déchiquetés en quelques secondes. Si l'appareil est utilisé pour une période de temps prolongée, laisser reposer le robot culinaire pendant 4 minutes approximativement avant de poursuivre.
- Ne pas mettre en purée ou piler des légumes tels que les pommes de terre, car leur surtransformation est rapide et la texture sera collante.
- Pour trancher ou râper du fromage, utiliser seulement un fromage ferme comme le cheddar ou suisse ayant été refroidi pendant au moins 30 minutes. Le fromage doit être transformé dès sa sortie du réfrigérateur. Les fromages mous comme la mozzarella doit être placés au congélateur pendant 30 minutes avant sa transformation pour assurer une fermeté suffisante avant de le râper.
- Le disque réversible à trancher/râper possède une face avec une lame pour trancher et une autre avec des dents pour déchiqueter. Le nom gravé sur la lame, face vers le haut, est la fonction choisie. Placer la lame sur l'arbre du moteur en plaçant la face de coupe désirée vers le haut.

Tableaux de transformation

Les disques accessoires sont réversibles et identifiés. Cette étiquette doit se retrouver vers le HAUT pour obtenir la fonction désirée. Ne pas dépasser le niveau de remplissage maximal (MAX LEVEL) indiqué sur le récipient lors de l'utilisation des disques accessoires.

ACCESSOIRES

Lame à hacher/mélanger

ALIMENTS

Couper en morceaux : les noix, la viande, l'ail, les oignons, les poivrons, le céleri, les fines herbes, le pain (pour des miettes) et des craquelins
Émincer/passer en purée : les légumes et les fruits
Mélanger : les vinaigrettes
Passer en purée : les soupes et les sauces
Râper : le fromage tel que le Parmesan (refroidi)

Disque à tranche (face à trancher vers le HAUT)

Les concombres, les pommes, les champignons, les carottes, les pommes de terre, le chou, les tomates, les saucissons, les poivrons, les radis, les fromages à pâte ferme (refroidis)

Disque à râper (face à râper vers le HAUT)

Le chou, les pommes de terre, les carottes, le fromage (refroidi)

Pour des résultats optimaux, ne pas excéder les quantités suivantes pour hacher, émincer ou mettre en purée à l'aide de la lame à hacher/mélanger.

ALIMENT

QUANTITÉ MAXIMALE

Fruits et légumes

2 à 3 tasses (500 ml à 750 ml)
(couper en cubes de 1 po [2,5 cm])

Vianes

0,7 lb. (350 g) (couper en cubes de 1 po [2,5 cm])

Parmesan ou Romano

5 oz. (140 g) (couper en cubes de 1 po [2,5 cm])

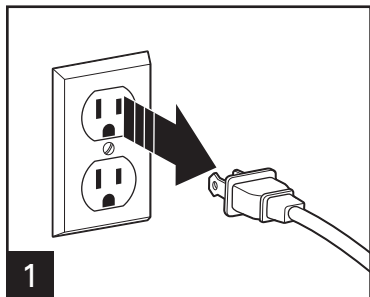
Cheddar, Monterey Jack, Mozzarella

8 oz. (226 g) (couper en cubes de 1 po [2,5 cm])

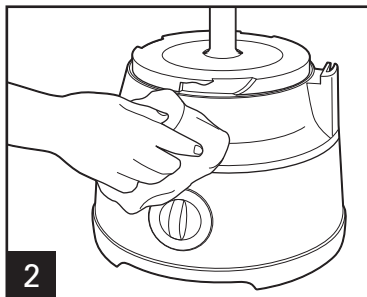
Craquelins

10 tasses (2,3 L) remplissage du récipient jusqu'au niveau de l'entonnoir

Nettoyage et entretien

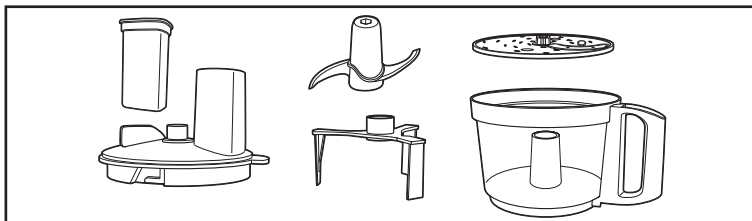


Essuyer le socle, le bouton de commande et le cordon avec un linge humide ou une éponge. Pour enlever les taches rebelles, utiliser un nettoyant doux et non abrasif.



⚠ AVERTISSEMENT Risque d'électrocution.

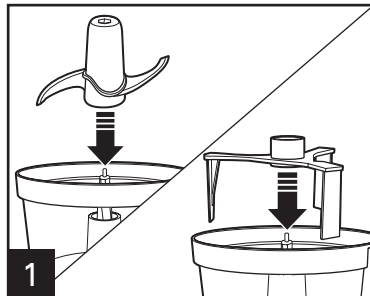
Débrancher l'appareil avant le nettoyage. Ne pas immerger le cordon, la fiche ou la base dans tout autre liquide.



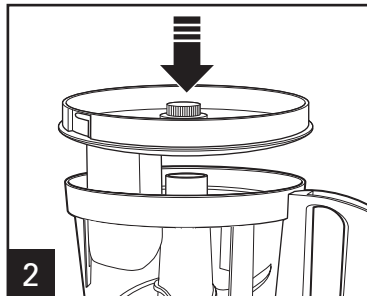
LAVABLE AU LAVE-VAISSELLE (PANIER SUPÉRIEUR SEULEMENT)

NE PAS utiliser le réglage "SANI" du lave-vaisselle. Les températures du cycle "SANI" peuvent endommager le produit. Toutes les pièces amovibles peuvent être lavées dans l'évier et de l'eau chaude savonneuse. Laver la lame de hacher/mélanger et le disque de trancher/râper avec prudence.

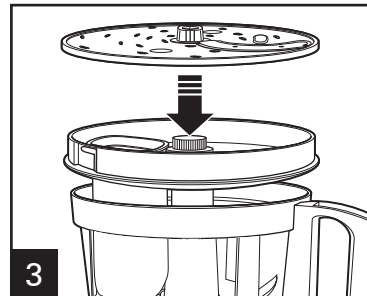
Rangement (Pour garder toutes les pièces ensemble)



Fixer la lame à hacher/mélanger et le racloir de bol sur l'arbre du moteur.



Basculer le couvercle à l'envers et le placer dans le bol. Insérer le poussoir dans l'entonnoir.



Installer le disque à trancher/râper sur l'arbre du moteur.

⚠ AVERTISSEMENT Risque de lacérations. Ranger le disque à trancher/râper avec la face de tranche vers le bas. Manipuler avec soin.

Dépannage

PROBLÈME

Les vitesses et le mode d'impulsion de l'appareil ne fonctionnent pas.

Les aliments ne sont pas tranchés ou râpés uniformément.

L'appareil s'arrête et refuse de fonctionner.

L'appareil dégage une odeur de brûlé.

Le régime du moteur semble faible.

Le bol est difficile à retirer de la base.

CAUSE POSSIBLE

- L'appareil est-il branché ? La prise fonctionne-t-elle ?
- Le bol et le couvercle sont-ils verrouillés ? Voir les chapitres « Utilisation ».

• Le bourrage excessif d'aliments dans l'entonnoir ou l'enfonçage trop fort des poussoirs risque de produire des aliments tranchés ou déchiquetés irrégulièrement. Consultez les tableaux de transformation des aliments qui indiquent les grosseurs et quantités suggérées.

- Le bol et le couvercle sont-ils verrouillés ? Ces éléments peuvent avoir été déplacés légèrement pendant la transformation. Voir les chapitres « Utilisation ».
- Est-ce que la prise est fonctionnelle ? Vérifier son fonctionnement avec une lampe ou un autre appareil. Le circuit a probablement été surchargé et fait sauter un fusible ou déclenché un disjoncteur.
- Mettre l'appareil hors tension (⓪) ; attendre 3 à 4 minutes, puis remettre sous tension. Si aucune de ces solutions ne corrige le problème, NE PAS tenter de réparer l'appareil. Composer le numéro sans frais du service à la clientèle pour obtenir les coordonnées du centre de service autorisé le plus près de chez vous.

• Un résidu de fabrication peut se trouver sur le moteur et peut occasionner une légère odeur de brûlé au cours de la première utilisation. Ceci ne se reproduira plus. Si une forte odeur et une fumée se dégagent de l'appareil, débrancher l'appareil IMMÉDIATEMENT et appeler le numéro sans frais du service à la clientèle.

• Est-ce que la grosseur et la quantité d'aliments transformés sont respectées ? Consulter les tableaux de transformation pour obtenir les grosseurs d'aliments et les vitesses recommandées.

• Frotter une petite quantité d'huile végétale sur les taquets situés sur la base. Ne pas verrouiller le bol et le couvercle lors du rangement.

Dépannage *(suite)*

PROBLÈME

Le fromage ne se râpe pas bien.

Les légumes ne se tranchent pas ou ne se râpent pas.

CAUSE POSSIBLE

- Le fromage doit être transformé dès sa sortie du réfrigérateur. Les fromages mous comme la mozzarella doivent être placés au congélateur pendant 30 minutes avant sa transformation pour assurer une fermeté suffisante avant de le râper.
- Réfrigérer les légumes à haute teneur en eau avant de les transformer. Les légumes laissés à la température ambiante sont moins fermes et ne se transforment pas aussi bien.

Garantie limitée

Cette garantie s'applique aux produits achetés et utilisés aux É.-U. et au Canada. C'est la seule garantie expresse pour ce produit et est en lieu et place de tout autre garantie ou condition.

Ce produit est garanti contre tout défaut de matériaux et de main-d'oeuvre pour une période de un (1) an à compter de la date d'achat d'origine. Au cours de cette période, votre seul recours est la réparation ou le remplacement de ce produit ou tout composant s'avérant défectueux, à notre gré, mais vous êtes responsable de tous les coûts liés à l'expédition du produit et le retour d'un produit ou d'un composant dans le cadre de cette garantie. Si le produit ou un composant n'est plus offert, nous le remplacerons par un produit similaire de valeur égale ou supérieure.

Cette garantie ne couvre pas le verre, les filtres, l'usure d'un usage normal, l'utilisation non conforme aux directives imprimées, ou des dommages au produit résultant d'un accident, modification, utilisation abusive ou incorrecte. Cette garantie s'applique seulement à l'acheteur original ou à la personne l'ayant reçu en cadeau. La présentation du reçu de vente d'origine comme preuve d'achat est nécessaire pour faire une réclamation au titre de cette garantie. Cette garantie s'annule si le produit est utilisé autrement que par une famille ou si l'appareil est soumis à toute tension ou forme d'onde différente des caractéristiques nominales précisées sur l'étiquette (par ex. : 120 V ~ 60 Hz).

Nous excluons toutes les réclamations au titre de cette garantie pour les dommages spéciaux, consécutifs et indirects causés par la violation de garantie expresse ou implicite. Toute responsabilité est limitée au prix d'achat. **Chaque garantie implicite, y compris toute garantie ou condition de qualité marchande ou d'adéquation à un usage particulier, est exonérée, sauf dans la mesure interdite par la loi, auquel cas la garantie ou condition est limitée à la durée de cette garantie écrite.** Cette garantie vous donne des droits légaux précis. Vous pouvez avoir d'autres droits qui varient selon l'endroit où vous habitez. Certaines provinces ne permettent pas les limitations sur les garanties implicites ou les dommages spéciaux ou indirects de telle sorte que les limitations ci-dessus ne s'appliquent peut-être pas à votre cas.

Ne pas retourner cet appareil au magasin lors d'une réclamation au titre de cette garantie. Téléphoner au 1.800.851.8900 aux É.-U. ou au 1.800.267.2826 au Canada ou visiter le site internet www.hamiltonbeach.com aux É.-U. ou www.hamiltonbeach.ca au Canada. Pour un service plus rapide, trouvez le numéro de modèle, le type d'appareil et les numéros de série sur votre appareil.

SALVAGUARDIAS IMPORTANTES

Cuando utilice artefactos eléctricos, siempre deben seguirse precauciones de seguridad básicas a fin de reducir el riesgo de incendio, descarga eléctrica, y/o lesiones a personas, incluyendo las siguientes:

1. Lea y guarde todas las instrucciones.
2. Este aparato no se destina para utilizarse por personas cuyas capacidades físicas, sensoriales o mentales sean diferentes o estén reducidas, o carezcan de experiencia o conocimiento, a menos que dichas personas reciban una supervisión o capacitación para el funcionamiento del aparato por una persona responsable de su seguridad.
3. Este electrodoméstico no debe ser utilizado por niños. Mantenga el electrodoméstico y su cable fuera del alcance de los niños.
4. Se requiere de una estrecha supervisión cuando el aparato se use por o cerca de niños. Los niños deben supervisarse para asegurar que ellos no empleen los aparatos como juguete.
5. Verifique que el voltaje de su instalación corresponda con el del producto.
6. Para protegerse contra riesgos de descarga eléctrica, no sumerja la base, motor, cable o enchufe en agua u otro líquido.
7. APAGUE el electrodoméstico (●) y, después, desenchúfelo del tomacorriente cuando no esté en uso, antes de armar o desarmar piezas y antes de limpiarlo. Para desenchufarlo, tome el enchufe y retírelo del tomacorriente. Nunca tire del cable eléctrico.
8. Evite el contacto con partes móviles.
9. No opere ningún aparato con cables o enchufe dañados o después de que el aparato funcione mal o se caiga o dañe de cualquier manera. El reemplazo del cable de suministro y las reparaciones deben ser efectuadas por el fabricante, su agente de servicio, o personas igualmente calificadas para poder evitar un peligro. Llame al número de servicio al cliente proporcionado para información sobre examinación, reparación o ajuste.
10. El uso de aditamentos no recomendados o vendidos por el fabricante del aparato pueden causar un riesgo de lesiones personales.
11. No use su procesador de alimentos si alguna pieza está quebrada.
12. No lo use en exteriores.
13. No deje que el cable cuelgue del borde de la mesa o cubierta, o toque superficies calientes, incluyendo la estufa.
14. Mantenga las manos y utensilios lejos de la cuchilla móvil y del disco mientras se procesa alimento para reducir el riesgo de lesiones personales severas y/o daño al procesador de alimentos. Se puede usar un raspador de plástico SOLAMENTE cuando el procesador de alimento no funcione.
15. Las cuchillas están filosas. Maneje las cuchillas de corte con cuidado cuando las coloque o quite, cuando vacíe el tazón y durante la limpieza. Almacene lejos del alcance de los niños.
16. Para reducir el riesgo de una lesión, asegúrese de insertar o remover la cuchilla y disco usando los concentradores provisto para tal propósito. Tenga cuidado cuando remueva la cuchilla y disco del tazón, cuando vacíe el tazón y cuando limpie.
17. Asegúrese de que la tapa esté abrochada de manera segura en su lugar antes de usar el aparato.
18. Nunca meta el alimento en el ducto con la mano. Siempre use los empujadores de alimento.
19. No intente eliminar el mecanismo de entrebloqueo de la tapa.
20. Asegúrese de que la tapa esté fijada de manera segura en su lugar antes de usar el aparato.
21. Para reducir el riesgo de lesiones, nunca coloque la cuchilla cortante o disco en la base sin primero poner el tazón adecuadamente en su lugar.

22. Verifique que el artefacto esté OFF (●/apagado) antes de enchufar el cable en el tomacorriente. Para desconectar, gire el control a OFF (●/apagado), luego quite el enchufe del tomacorriente. Para desconectarlo, agarre el enchufe y retire del tomacorrientes. Nunca tire el cable de alimentación.
23. Asegúrese de poner el interruptor en posición de OFF (●/apagado) después de cada uso. Siempre use los empujadores para vaciar el ducto de alimentos. Cuando este método no sea posible, desconecte el cable de la toma y desensamble la unidad para remover el resto del alimento.
24. El aparato no fue hecho para uso comercial, profesional o industrial. Fue diseñado y construido exclusivamente para uso casero solamente.
25. Nunca use el aparato por un periodo más largo o con una cantidad mayor de ingredientes de los recomendados por el fabricante del aparato.
26. La clasificación máxima de esta unidad está basada en el uso de la cuchilla picadora/mezcladora. Usando el disco para rebanar/rallar puede requerir menos energía.
27. No coloque sobre o cerca de un quemador de gas o eléctrico caliente o en un horno caliente.
28. No use el aparato para otro propósito que no sea para el que fue hecho.
29. Tenga cuidado si se vierte líquido caliente en el tazón del procesador de alimentos, ya que puede salir expulsado del aparato debido a una formación repentina de vapor.
30. No llene el tazón por encima de la línea de llenado máximo marcada (o de la capacidad nominal) para evitar el riesgo de lesiones por daños en la cubierta o en el tazón.
31. **¡PRECAUCIÓN!** A fin de evitar un riesgo debido a la reconfiguración inadvertida de la protección térmica, este artefacto no debe recibir suministro mediante un dispositivo de derivación externo, como un temporizador, o conectarse a un circuito que la empresa de servicio regularmente activa y desactiva.

GUARDE ESTAS INSTRUCCIONES

Otra Información de Seguridad para el Cliente

Este aparato ha sido diseñado solamente para uso doméstico.

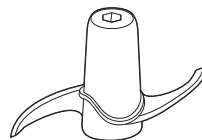
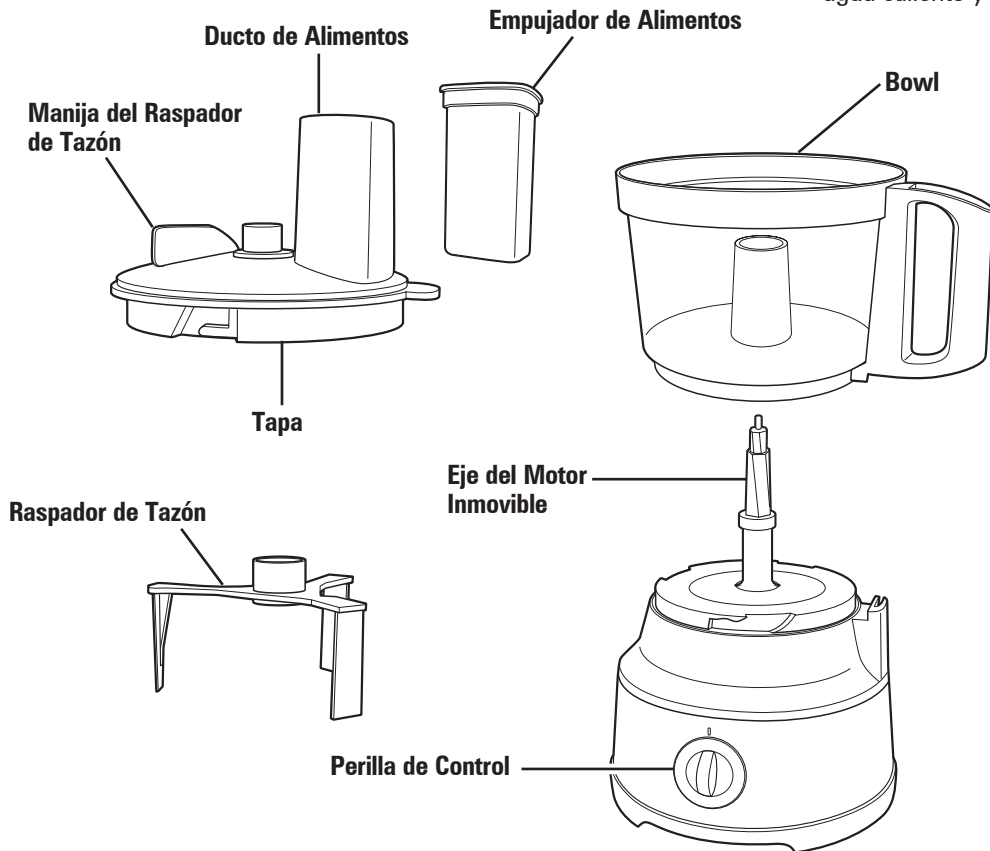
⚠ ADVERTENCIA Peligro de Descarga Eléctrica: Este aparato cuenta con un enchufe polarizado (una pata más ancha) que reduce el riesgo de una descarga eléctrica. El enchufe embona únicamente en una dirección dentro de un tomacorriente polarizado. No trate de obviar el propósito de seguridad del enchufe modificándolo de alguna manera o utilizando un adaptador. Si el enchufe no entra completamente en la toma, invierta el enchufe. Si aún no entra, haga que un eléctrico reemplace la toma.

El largo del cable que se usa en este aparato fue seleccionado para reducir el peligro de que alguien se enganche o tropiece con un cable más largo. Si es necesario usar un cable más largo, se podrá usar un cable de extensión aprobado. La clasificación eléctrica nominal del cable de extensión debe ser igual o mayor que la clasificación nominal del aparato. Es importante tener cuidado de colocar el cable de extensión para que no se pliegue sobre el mostrador o la mesera en donde niños puedan tirar del mismo o tropezarse accidentalmente.

Para evitar una sobrecarga eléctrica del circuito, no use otro aparato de alto voltaje en el mismo circuito con este aparato.

Piezas y Características

ANTES DE USAR POR PRIMERA VEZ: Desempaque el procesador. Maneje la cuchilla y el(los) disco(s) cuidadosamente; están muy afilados. Lave todas las partes excepto la base en agua caliente y jabonosa. Enjuague, luego seque.



Cuchilla Picadora/Mezcladora

Use para cortar, rallar, picar, mezclar o hacer puré el alimento.



Disco para Rebanar/Rallador Reversible

Utilícelo para rallar o rebanar una variedad de alimentos (tales como queso, zanahorias, cebollas, tomates, pimientos y pepinos).

ACCESORIO OPCIONAL Disco para Corte Plisado/ Deshebrado Fino

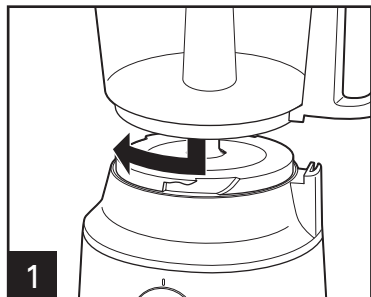
Para ordenar:
1.800.851.8900 (EUA)
01.800.71.16.100 (México)

Cómo Usar la Cuchilla Picadora/Mezcladora

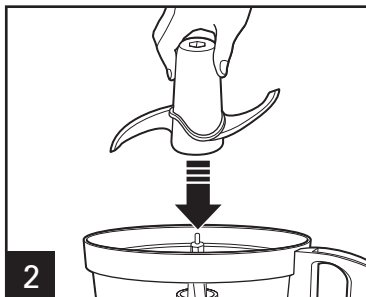
⚠ ADVERTENCIA Peligro de Laceración.

Maneje la cuchilla cuidadosamente; está muy afilada. Asegúrese que la perilla de control esté en APAGADO (O) y la unidad esté desconectada.

NOTA: Use sólo con una cuchilla o disco a la vez.



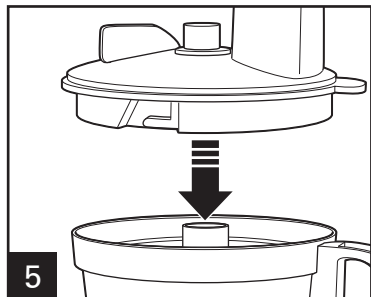
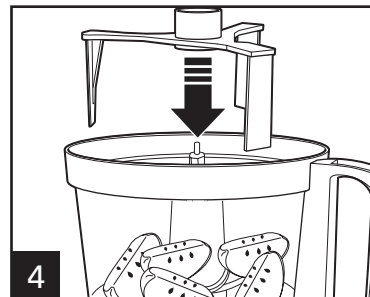
1 Alinee el tazón y la base. Gire el tazón en el sentido de las agujas del reloj para ajustarlo en su lugar. **NOTA:** La unidad no funcionará a menos que el tazón esté ajustado.



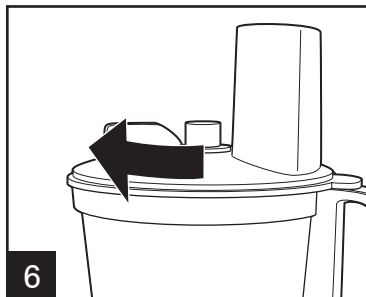
2 Con cuidado coloque la cuchilla en el eje de bloqueo.



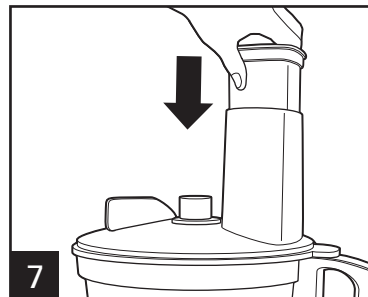
3 OPCIONAL: Agregue el raspador de tazón si los ingredientes que va a procesar se pegarán a las paredes del tazón y deben procesarse más o mezclarse con el resto de la mezcla.



5 Alinee la tapa y el tazón. Gire la tapa en el sentido de las agujas del reloj para ajustarla en su lugar. **NOTA:** La unidad no funcionará a menos que la tapa esté ajustada.

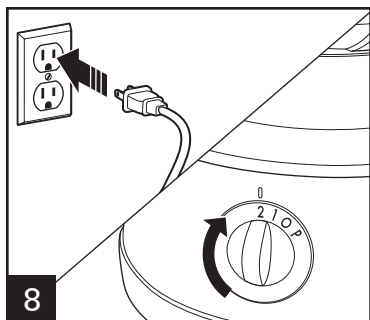


6 Coloque el empujador de alimento en el ducto de alimento.

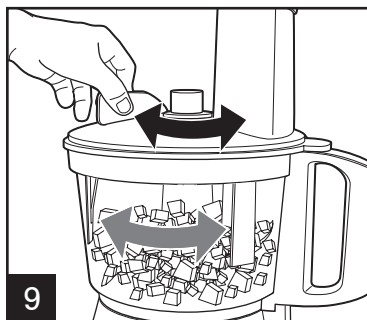


7 **⚠ ADVERTENCIA Peligro de Laceración:** Siempre use el empujador de alimento para ingresar alimento en el ducto. **NUNCA EMPUJE EL ALIMENTO POR EL DUCTO USANDO LAS MANOS O OBJETOS OTROS.**

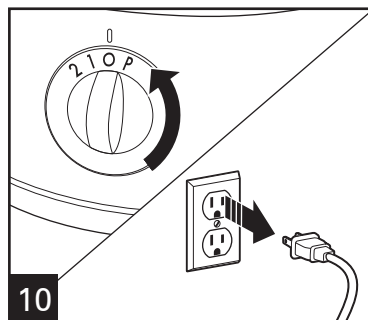
Cómo Usar la Cuchilla Picadora/Mezcladora (cont.)



8 Seleccione 1, 2, o P en el perilla de control. 1 o 2: El procesador funcionará continuamente. P (PULSE): Para un control de encendido y apagado al instante.

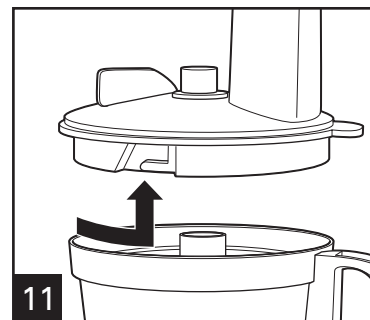


9 Gire de atrás a adelante la manija del raspador de tazón ubicada en la tapa para quitar los alimentos de las paredes del tazón. El raspador de tazón puede utilizarse cuando la unidad se encuentra funcionando o cuando está apagada.

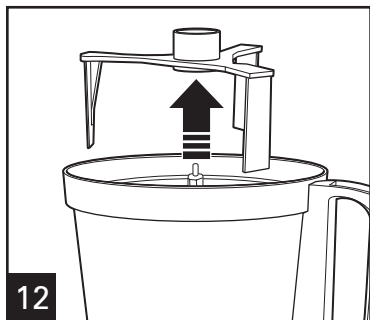


10 Cuando termine, apague (0) y desconecte.

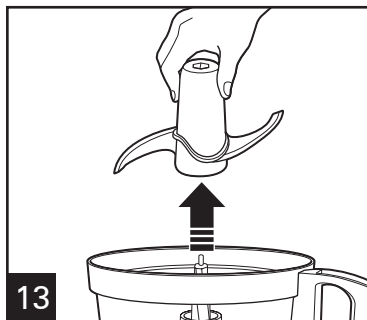
⚠ ADVERTENCIA Peligro de Laceración: Siempre desenchufe la unidad antes de quitar la tapa.



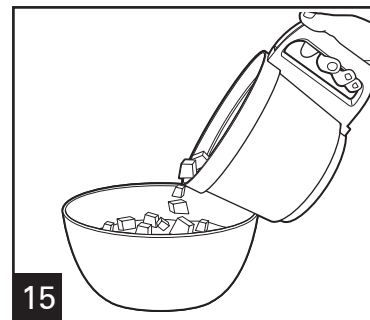
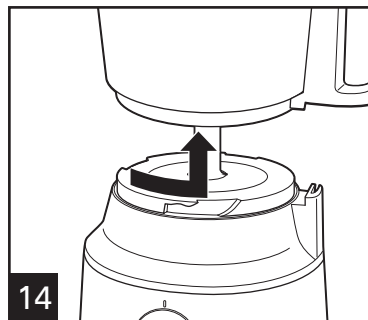
11 Siempre remueva la tapa antes de remover el tazón para evitar posibles daños al aparato.



12 Quite el raspador de tazón, si se ha usado.



13 Remueva cuidadosamente la cuchilla del eje del motor.



Cómo Utilizar el Disco Rebanador/Rallador Reversible

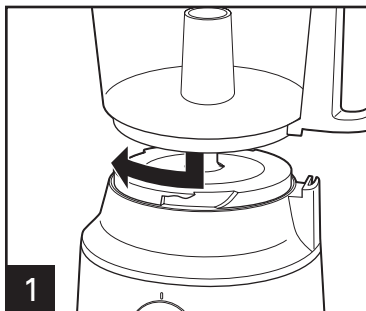
⚠ ADVERTENCIA Peligro de Laceración.

Maneje la cuchilla cuidadosamente; está muy afilada.

Asegúrese que la perilla de control esté en APAGADO (●) y la unidad esté desconectada.

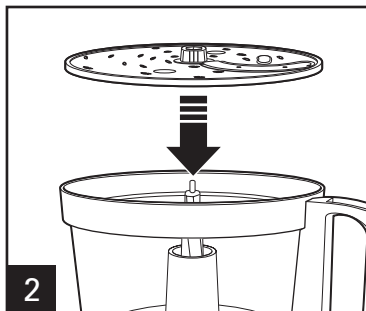
NOTA: Use sólo con una cuchilla o disco a la vez.

El raspador de tazón no puede utilizarse con el disco rebanador/rallador reversible.

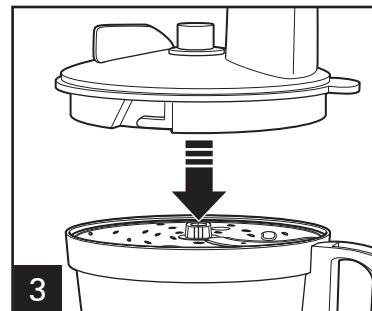


Alinee el tazón y la base. Gire el tazón en el sentido de las agujas del reloj para ajustar en su lugar.

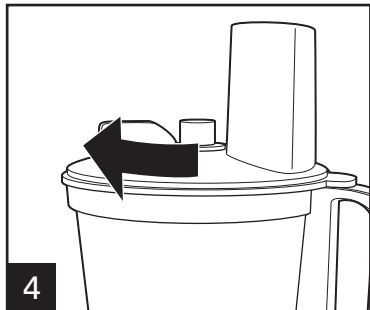
NOTA: La unidad no funcionará a menos que el tazón esté ajustado.



Coloque cuidadosamente el disco en el eje del motor con el lado deseado viendo hacia ARRIBA. ("SLICE" [rebanar] o "SHRED" [rallar] se encuentran indicados en cada lado de la cuchilla).

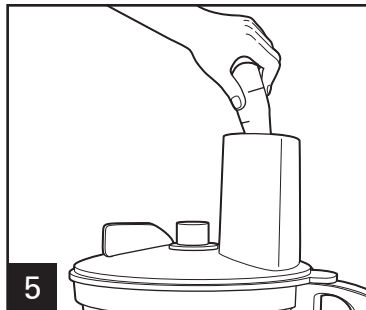


Alinee la tapa y el tazón.



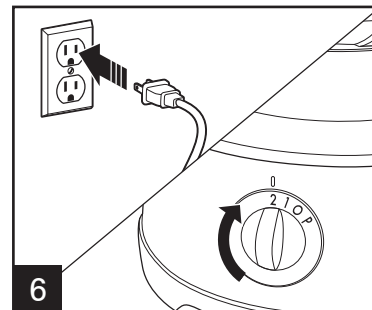
Gire la tapa en el sentido de las agujas del reloj para ajustar en su lugar.

NOTA: La unidad no funcionará a menos que la tapa esté ajustada.



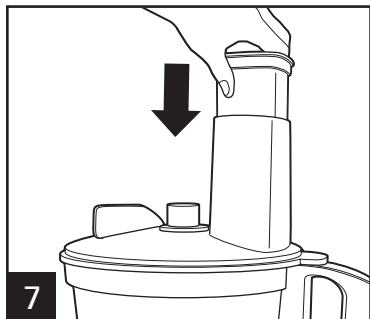
Corte el alimento para que quepa en el ducto de alimentos. Llene el ducto con alimento.

NOTA: Los quesos blandos como el mozzarella debe pueden colocarse en el congelador por 30 minutos antes de procesarse para garantizar que estén lo suficientemente firmes para poder rallarlos.

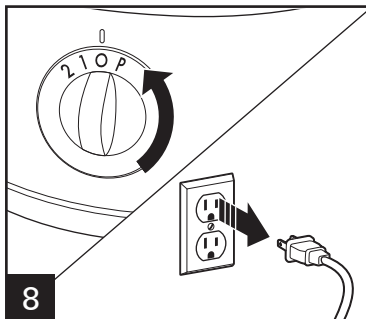


Seleccione 1, 2, o P en el perilla de control. 1 o 2: El procesador funcionará continuamente. P (PULSE): Para un control de encendido y apagado al instante.

Cómo Utilizar el Disco Rebanador/Rallador Reversible (cont.)

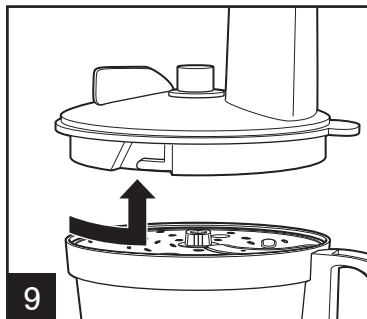


7 **⚠ ADVERTENCIA Peligro de Laceración:** Siempre use el empujador de alimento para ingresar alimento en el ducto. **NUNCA EMPUJE EL ALIMENTO POR EL DUCTO USANDO LAS MANOS O OBJETOS OTROS.**

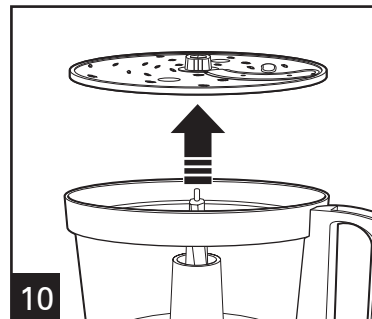


8 Cuando termine, apague (O) y desconecte.

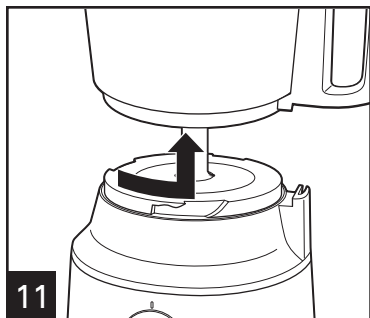
⚠ ADVERTENCIA Peligro de Laceración: Siempre desenchufe la unidad antes de quitar la tapa.



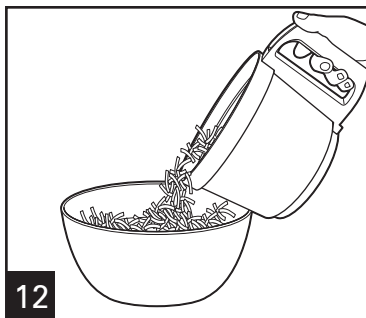
9 Siempre remueva la tapa antes de remover el tazón para evitar posibles daños al aparato.



10 Remueva cuidadosamente el disco del eje del motor.



11



12

Consejos y Técnicas

- Coloque el raspador en el tazón antes de procesar ingredientes que se pegarán a las paredes del tazón.
- Para una consistencia más uniforme, comience con pedazos de alimento que sean similares en tamaño. Corte el alimento en pedazos de 1 pulgada (2.5 cm) antes de procesar con la cuchilla de picado/mezclado y deje espacio en el tazón para que se mueva el alimento.
- Este procesador de alimentos es excelente para cortar, mezclar, rebanar o rallar la mayoría de los alimentos. Sin embargo, para mantener un desempeño máximo, no use su procesador de alimentos para lo siguiente: moler granos, granos de café o especias; rebanar carne congelada; amasar masa; o triturar hielo.
- Cuando corte alimentos, empujando poco a poco producirá mejores resultados.
- El tiempo de funcionamiento dependerá de la cantidad de alimento a ser procesada. La mayoría de los alimentos pueden ser rebanados, picados o rallados en segundos. Si la unidad es usada por un período de tiempo prolongado, deje que el procesador descanse por unos 4 minutos antes de continuar.
- No haga puré o masa vegetales almidonados como papas ya que pueden ser fácilmente sobre-procesadas y se volverán gomosas.
- Para rebanar o rallar queso, use sólo quesos duros como Cheddar o suizo que haya sido enfriado durante por lo menos 30 minutos. El queso debe procesarse inmediatamente después de retirarse del refrigerador. Los quesos blandos como el mozzarella debe pueden colocarse en el congelador por 30 minutos antes de procesarse para garantizar que estén lo suficientemente firmes para poder rallarlos.
- El disco para rebanar/rallar reversible tiene una cuchilla rebanadora en un lado y dientes para deshebrar en el otr. El nombre grabado en la cuchilla, viendo hacia arriba, es la función seleccionada. Colóquelo en el eje del motor con el borde de corte deseado viendo hacia arriba.

Tablas de Procesamiento

Los aditamentos de disco son reversibles y marcados. Esta marca debe ver hacia arriba para la función deseada. Cuando use aditamentos de disco, no procese más allá del NIVEL MAX. en el Tazón.

ADITAMENTO	ALIMENTOS
Cuchilla Picadora/Mezcladora	Cortar: Nueces, carne, ajo, cebollas, pimientos, apio, hierbas, pan (para migajas), galletas Picar/Puré: Verduras, frutas Mezclar: Aderezos de ensalada Puré: Sopas, salsas Rallar: Queso como el parmesano (refrigerado)

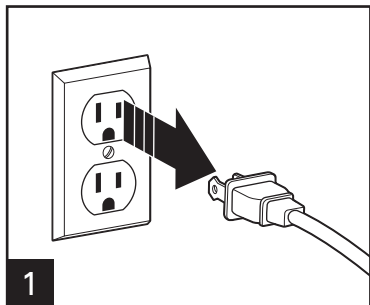
Disco Rebanar (lado de rebanado viendo hacia ARRIBA)	Pepinos, manzanas, champiñones, zanahorias, papas, repollo, tomates, pepperoni, pimientos, rábanos, quesos duros (refrigerados)
--	---

Disco para Rallar (lado de ralla viendo hacia ARRIBA)	Repollo, papas, zanahorias, queso (refrigerado)
---	---

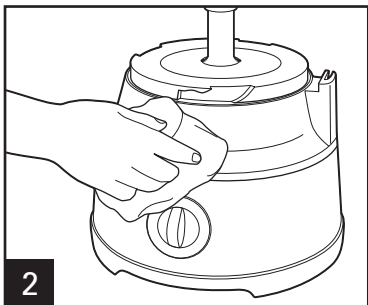
Para mejores resultados no exceda las cantidades siguientes cuando corte, pique, o haga puré con la cuchilla picadora/mezcladora.

ALIMENTO	CANTIDADES MÁXIMAS
Frutas y Vegetales	2 a 3 tazas (500 ml a 750 ml) (corte en cubos de 1" [2.5 cm])
Carnes	0.7 libra (350 g) (corte en cubos de 1" [2.5 cm])
Parmesano o Romano	5 onzas (140 g) (corte en cubos de 1" [2.5 cm])
Cheddar, Monterey Jack, Mozzarella	8 onzas (226 g) (corte en cubos de 1" [2.5 cm])
Galletas	10 tazas (2.3 L) (puede llenar el tazón y tapa hasta el ducto)

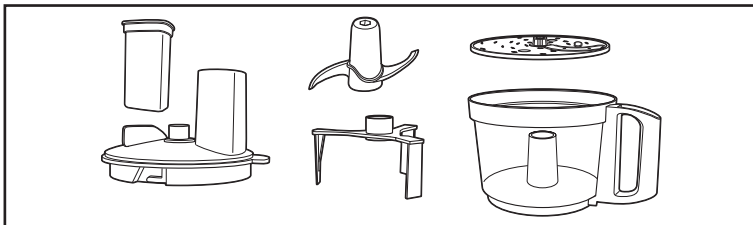
Limpieza y Cuidado



Limpie la base, perilla de control, y cable con un trapo o esponja húmeda. Si fuera necesario, use un limpiador suave no abrasivo.



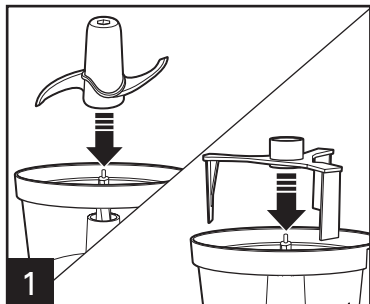
⚠ ADVERTENCIA Peligro de Descarga Eléctrica. Desconecte la electricidad antes de limpiar. No sumerja el cable, enchufe o base en ningún líquido.



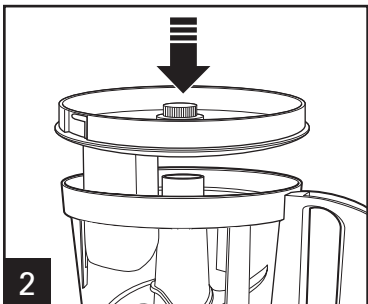
**RESISTENTE AL LAVAVAJILLAS
(SÓLO BANDEJA SUPERIOR)**

No utilice la configuración "SANI" cuando la lave en el lavavajillas. Las temperaturas del ciclo "SANI" pueden dañar su producto. Todas las piezas desmontables también pueden lavarse en el fregadero con agua caliente jabonosa. Tenga cuidado al lavar la cuchilla picadora/mezcladora y el disco para rebanar/rallar de corte.

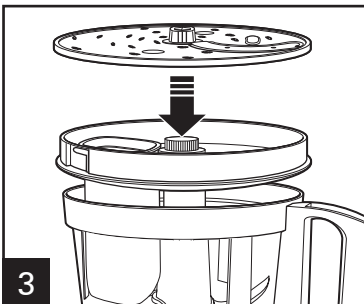
Almacenamiento (Para Mantener Todas las Piezas Juntas)



Coloque la cuchilla de picado/mezclado y el raspador de tazón en el eje del motor.



Voltrear la tapa hacia abajo y coloque en el tazón. Coloque el empujador de alimento en el ducto de alimento.



Coloque el disco para rebanar/rallar en el eje del motor.

⚠ ADVERTENCIA Peligro de Laceración. Almacene el disco para rebanar/rallar con el lado de rebanado hacia abajo. Manéjelo con cuidado.

Resolviendo Problemas

PROBLEMA

PROBABLE CAUSA

La unidad no funciona a ninguna velocidad o Pulso.

- ¿Está conectada la unidad? ¿Funciona la toma?
- ¿Están el tazón y la tapa asegurados en su lugar? Vea las secciones de Cómo Usar.

El alimento no es rebanado o deshebrado uniformemente.

- El empacar mucho alimento en el ducto de alimentos o empujar demasiado duro con el empujador de alimentos puede causar que el alimento procesado sea rebanado o deshebrado irregularmente. Consulte las tablas de procesamiento por tamaños y cantidades recomendadas.

La unidad se detiene y no se vuelve a encender.

- ¿Están el tazón y la tapa asegurados en su lugar? Se pueden haber movido un poco durante el procesamiento. Vea las secciones de Cómo Usar.
- ¿Está aún funcionando la toma? Revísela conectando una lámpara u otro aparato que funcione. Puede que haya sobrecargado el circuito y volado un fusible o botado el interruptor de circuito.
- APAGUE (●) la unidad, déjela descansar por 3 a 4 minutos, luego vuelva a ENCENDERLA. Si ninguna de estas sugerencias corrigen el problema, NO intente reparar la unidad. Llame al número de Servicio al Cliente para obtener el nombre de su Centro de Servicio Autorizado más cercano.

La unidad huele a quemado.

- Puede haber un residuo del proceso de fabricación aún en el motor, causando un ligero olor durante el uso inicial. Esto desaparecerá. Si aparece un fuerte olor o un humo visible, desconecte la unidad INMEDIATAMENTE y llame al número de Servicio al Cliente.

El motor parece débil.

- ¿Está usando el tamaño y cantidad de alimento recomendado a ser procesado? Consulte las tablas de procesamiento para tamaños de alimento y velocidades recomendados.

Resulta difícil quitar el tazón de la base.

- Frote una pequeña cantidad de aceite vegetal en las trabas, ubicadas en la base. No trabe el tazón y la tapa durante el almacenamiento.

El queso no queda bien rallado.

- El queso debe procesarse inmediatamente después de retirarse del refrigerador. Los quesos blandos como el mozzarella deben colocarse en el congelador por 30 minutos antes de procesarse para garantizar que estén lo suficientemente firmes para poder rallarlos.

Los vegetales no quedan bien rallados o rebanados.

- Guarde los vegetales con un contenido elevado de agua en el refrigerador antes de procesarlos. Los vegetales que se encuentran a temperatura ambiente no son tan firmes y no pueden procesarse tan bien.

GARANTÍA PARA PRODUCTOS COMPRADOS EN MÉXICO

PRODUCTO:

MARCA:

MODELO:

Grupo HB PS, S.A. de C.V. cuenta con una Red de Centros de Servicio Autorizada, por favor consulte en la lista anexa el nombre y dirección de los establecimientos en la República Mexicana en donde usted podrá hacer efectiva la garantía, obtener partes, componentes, consumibles y accesorios; así como también obtener servicio para productos fuera de garantía. Para mayor información llame sin costo: **Centro de Atención al consumidor: 01 800 71 16 100**

Grupo HB PS, S.A. de C.V. le otorga a partir de la fecha de compra:

GARANTÍA DE 1 AÑO.

COBERTURA

- Esta garantía ampara, todas las piezas y componentes del producto que resulten con defecto de fabricación incluyendo la mano de obra.
- Grupo HB PS, S.A. de C.V. se obliga a reemplazar, reparar o reponer, cualquier pieza o componente defectuoso; proporcionar la mano de obra necesaria para su diagnóstico y reparación, todo lo anterior sin costo adicional para el consumidor.
- Esta garantía incluye los gastos de transportación del producto que deriven de su cumplimiento dentro de su red de servicio.

LIMITACIONES

- Esta garantía no ampara el reemplazo de piezas deterioradas por uso o por desgaste normal, como son: cuchillas, vasos, vasos, filtros, etc.
- Grupo HB PS, S.A. de C.V. no se hace responsable por los accidentes producidos a consecuencia de una instalación eléctrica defectuosa, ausencia de toma de tierra, clavija o enchufe en mal estado, etc.

EXCEPCIONES

Esta garantía no será efectiva en los siguientes casos:

- a) Cuando el producto se hubiese utilizado en condiciones distintas a las normales. (Uso industrial, semi-industrial o comercial.)
- b) Cuando el producto no hubiese sido operado de acuerdo con el instructivo de uso.
- c) Cuando el producto hubiese sido alterado o reparado por personas no autorizadas por Grupo HB PS, S.A. de C.V. el fabricante nacional, importador o comercializador responsable respectivo.
- d) Esta garantía pierde su validez si el producto es utilizado en un medio diferente a una vivienda unifamiliar o se somete a cualquier voltaje o forma de onda diferente a la especificada en la etiqueta de clasificación (ej., 120V ~ 60 Hz).

El consumidor puede solicitar que se haga efectiva la garantía ante la propia casa comercial donde adquirió su producto, siempre y cuando Grupo HB PS, S.A. de C.V. no cuente con talleres de servicio.

PROCEDIMIENTO PARA HACER EFECTIVA LA GARANTÍA

- Para hacer efectiva la garantía, lleve su aparato al Centro de Servicio Autorizado más cercano a su domicilio (consulte la lista anexa).
- Si no existe Centro de Servicio Autorizado en su localidad llame a nuestro Centro de Atención al Consumidor para recibir instrucciones de como hacer efectiva su garantía.

DÍA__ MES__ A—O__

Si desea hacer comentarios o sugerencias con respecto a nuestro servicio o tiene alguna queja derivada de la atención recibida en alguno de nuestros Centros de Servicio Autorizados, por favor dirigirse a:

GERENCIA INTERNACIONAL DE SERVICIO

01 800 71 16 100

Email: mexico.service@hamiltonbeach.com

CENTROS DE SERVICIO AUTORIZADOS

Ciudad de México

ELECTRODOMÉSTICOS

Av. Plutarco Elías Calles No. 1499

Zacahuitzco, Benito Juárez, Ciudad de México, C.P. 09490

Tel: 01 55 5235 2323

CASA GARCÍA

Av. Patriotismo No. 875-B

Mixcoac, Benito Juárez, Ciudad de México, C.P. 03910

Tel: 01 55 5563 8723

Nuevo Leon

FERNANDO SEPULVEDA REFACCIONES

Ruperto Martínez No. 238 Ote.

Centro MONTERREY, 64000 N.L.

Tel: 01 81 8343 6700

Jalisco

SERVICIOS DE MANTENIMIENTO CASTILLO

Garibaldi No. 1450

Ladrón de Guevara

GUADALAJARA 44660 Jal.

Tel: 01 33 3825 3480

Modelos:

70730

Tipo:

FP23

Características Eléctricas:

120 V ~ 60 Hz 450 W

Los modelos incluidos en el instructivo de Uso y Cuidado pueden ir seguidos o no por un sufijo correspondiente a una o varias letras del alfabeto y sus combinaciones, separadas o no por un espacio, coma, diagonal, o guión. Como ejemplos los sufijos pueden ser: "Y" y/o "MX" y/o "MXY" y/o "Z".