

READ BEFORE USE

Visit www.hamiltonbeachappliances.co.uk for our complete line of products and Use and Care Guides – as well as delicious recipes, tips, and other useful information!

Questions?
Please call us – our friendly associates are ready to help.
0808-234-4688

Hamilton Beach®



Stack & Press Glass
Bowl Chopper

IMPORTANT SAFEGUARDS

This appliance is intended for household use only.

When using electrical appliances, basic safety precautions should always be followed to reduce the risk of fire, electric shock, and/or injury to persons, including the following:

1. Read all instructions.
2. This appliance is not intended for use, cleaning, or maintenance by persons (including children) with reduced physical, sensory, or mental capabilities, or lack of experience and knowledge, unless they are closely supervised and instructed concerning the use of the appliance by a person responsible for their safety. Children should be supervised to ensure they do not play with the appliance.
3. To protect against risk of electrical shock, do not put cord, plug, or base in water or other liquid.
4. Unplug from socket when not in use, before putting on or taking off parts, and before cleaning.
5. Avoid contacting moving parts.
6. Do not operate any appliance with a damaged supply cord, or after the appliance malfunctions, or is dropped or damaged in any manner. Call our toll-free customer service number for information. All repairs must be conducted by the manufacturer, its service agent, or similarly qualified persons in order to avoid a hazard.
7. The use of attachments not recommended or sold by the appliance manufacturer may cause fire, electric shock, or injury.
8. Do not use outdoors.
9. Do not let cord hang over edge of table or counter, or touch hot surfaces, including stove.
10. Do not place on or near a hot gas or electric burner, or in a heated oven.
11. Keep hands and utensils away from the cutting blades while chopping food to reduce the risk of severe injury to persons or damage to the food chopper. A scraper may be used but must be used only when the food chopper is not running.

12. Blades are sharp. Handle carefully when emptying food contents and during cleaning.
13. This appliance is intended for processing small quantities of food for immediate consumption. This appliance is not intended to prepare large quantities of food at one time.
14. To reduce the risk of injury, never place cutting blade on base without first putting bowl properly in place.
15. Be certain lid is securely locked in place before operating appliance.
16. Do not attempt to defeat the lid interlock mechanism.
17. Do not use appliance for other than intended use.
18. **UK Models ONLY: The UK plug is** provided with a 13-amp fuse approved by ASTA to B.S. 1362. If you need a replacement fuse carrier, it must be replaced with the same colour-coded carrier with the same markings. Fuse covers and carriers can be obtained from approved service agents.

SAVE THESE INSTRUCTIONS!



Recycling the Product at the End of Its Service Life

The wheeled bin symbol marked on this appliance signifies that it must be taken over by a selective collection system conforming to the WEEE Directive so that it can be either recycled or dismantled in order to reduce any impact to the environment. The user is responsible for returning the product to the appropriate collection facility, as specified by your local code. For additional information regarding applicable local laws, please contact the municipal facility and/or local distributor.

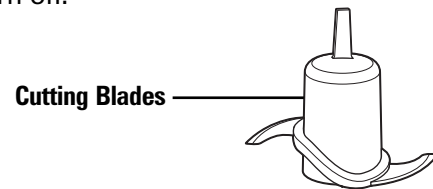
Parts and Features

BEFORE FIRST USE: Unpack chopper. Handle blades carefully; they are very sharp. Wash all parts except base in hot, soapy water. Rinse; then dry.

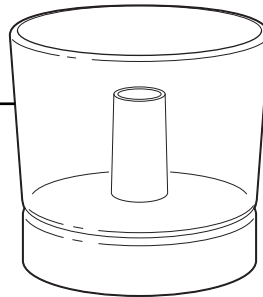
ON/OFF Pulse Symbol:
Blades will turn when lid is pressed down.
Release lid to turn off.



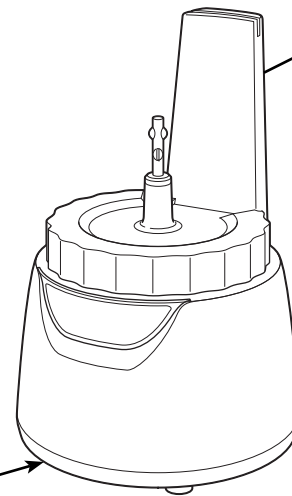
Lid



Cutting Blades



710 ml Glass Bowl

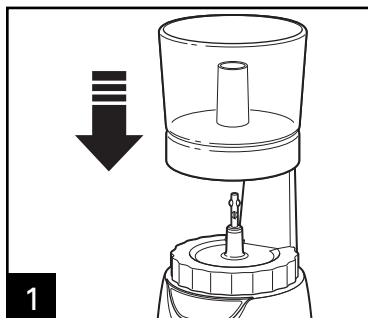


Base

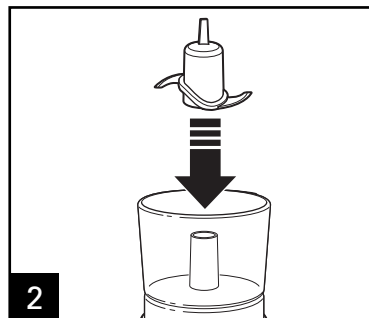
Cord Storage
(on bottom)

How to Use the Chopper

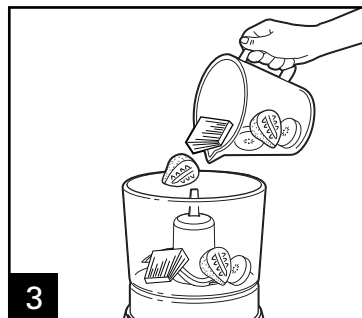
⚠ WARNING Laceration Hazard.
Handle blade carefully; it is very sharp.
Make sure unit is off and is unplugged.



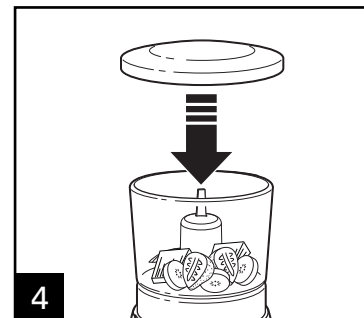
1 Make sure chopper is unplugged. Place bowl onto base.



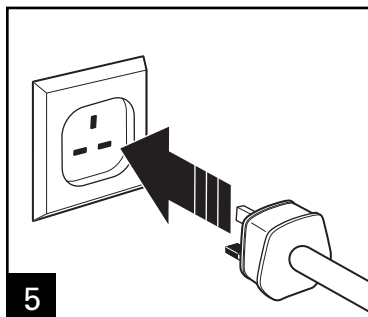
2 Carefully place blade in bowl over center shaft. Turn until blade slips down to bottom of bowl.



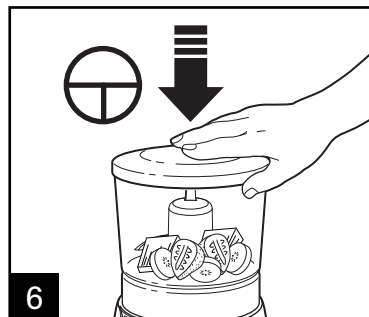
3 Place food in bowl.



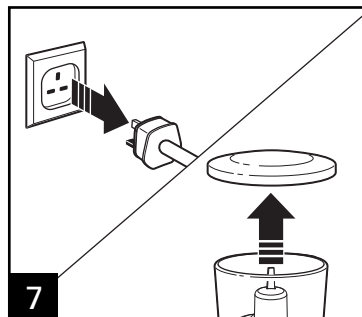
4 Place lid on bowl.



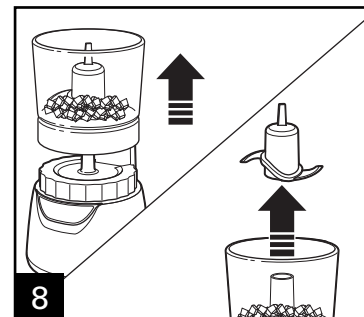
5



6 Press lid to chop. To turn off, release lid. Do not remove lid until blade has stopped turning.



7



8 Remove bowl from base. Carefully remove blade.

5

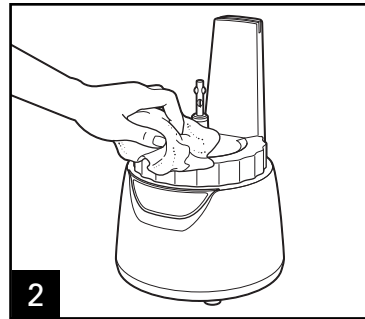
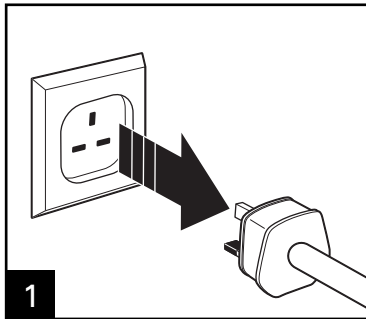
Chopping Tips

- The bowl has a capacity of 710 ml. For liquid ingredients, do not exceed 355 ml (MAX LIQUID FILL line on bowl).
- For more control, process by pressing lid briefly, then releasing. Check consistency and continue if desired.
- Tear bread into pieces; then process to make bread crumbs. Break crackers or cookies into pieces; then process into crumbs for use as recipe ingredients or pie crusts.
- To chop carrots, celery, mushrooms, capsicum, or onion, cut into 2.5-cm (1-inch) chunks and place in bowl. This will result in more uniform consistency.
- Chop nuts; mince coriander, parsley, basil, chives, or garlic.
- Do not process raw meat, coffee beans, or whole, hard spices in the food chopper. This could damage the electric chopper.

Processing Chart

TO MAKE	INSTRUCTIONS
Bread Crumbs	Tear bread slices (up to 3) into 6 pieces.
Cheese, Parmesan	Cut in 1.3-cm (1/2-inch) cubes. Process 115 ml of cubes at a time.
Cookie Crumbs	Break into pieces. Use up to 450 ml of pieces.
Fruit, Chopped	Cut fruit into large chunks. Place up to 450 ml of pieces into chopper.
Garlic, Minced	Peel; then process 1 or more cloves at a time.
Herbs, Chopped	Place up to 200 ml in chopper.
Nuts, Chopped	Place up to 200 ml in chopper.
Parsley	Pinch off sprigs from bunch.
Vegetables	Cut vegetables into 2.5-cm (1-inch) chunks. Place up to 450 ml in chopper at a time.

Care and Cleaning



Wipe chopper base with a damp cloth or sponge. To remove stubborn spots, use a mild, nonabrasive cleanser.

⚠ WARNING Electric Shock Hazard.

Do not immerse base, cord, or plug in water or any other liquid.



DO NOT use the "high-temperature sanitizing cycle" setting when washing in the dishwasher. "High-temperature sanitizing cycle" temperatures could damage your product. Parts may also be washed with hot, soapy water. Care should be taken when handling the cutting blades as they are very sharp. Rinse and dry thoroughly. Do not soak.

Hamilton Beach 1-Year Guarantee

This guarantee applies to products purchased and used in the United Kingdom. This is the only express guarantee for this product and is in lieu of any other guarantee or warranty.

This product is guaranteed to be free from defects in material and workmanship for a period of one (1) year from the date of original purchase. During this period, your exclusive remedy is repair or replacement of this product or any component found to be defective, at our option; however, you are responsible for all costs associated with returning the product to us and our returning a product or component under this guarantee to you. If the product or component is no longer available, we will replace with a similar one of equal or greater value.

This guarantee does not cover glass, filters, wear from normal use, use not in conformity with the printed directions, or damage to the product resulting from accident, alteration, abuse, or misuse. This guarantee extends only to the original consumer purchaser or gift recipient. Keep the original sales receipt, as proof of purchase is required to make a guarantee claim. This guarantee is void if the product is used for other than single-family household use or subjected to any voltage and waveform other than as specified on the rating label (e.g., 220–240 V 50/60 Hz).

We exclude all claims for special, incidental, and consequential damages caused by breach of express or implied guarantee or warranty. All liability is limited to the amount of the purchase price. **Every implied guarantee or warranty, including any statutory guarantee or warranty of merchantability or fitness for a particular purpose, is disclaimed except to the extent prohibited by law, in which case such guarantee or warranty is limited to the duration of this written guarantee.** This guarantee gives you specific legal rights. You may have other legal rights that vary depending on where you live. Some countries do not allow limitations on guarantees or warranties or special, incidental, or consequential damages, so the foregoing limitations may not apply to you.

To make a claim under this guarantee, do not return this appliance to the store. Please contact us by email at customer.service@hamiltonbeachappliances.co.uk or by phone at 0808-234-4688.

Hamilton Beach Brands, Inc.
4421 Waterfront Drive
Glen Allen
Virginia 23060
USA

840256300

3/15