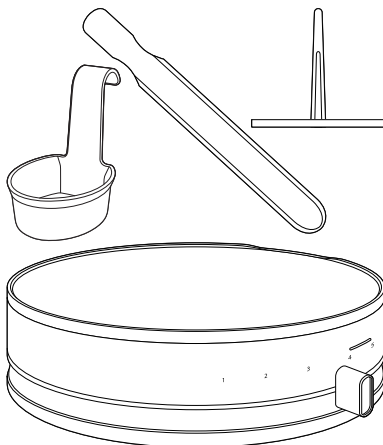


proctorsilex

Crepe Maker Crêpière électrique Crepera



READ BEFORE USE
À LIRE AVANT UTILISATION
LEA ANTES DE USAR

English	2
USA: proctorsilex.com	
Français.....	12
Canada: proctorsilex.ca	
Español	22
México: proctorsilex.com.mx	

Le invitamos a leer cuidadosamente este instructivo antes de usar su aparato.

ENTER TO WIN \$100 TO SPEND ON WEBSITE.

Scan code or visit register.proctorsilex.com.

Open to US customers only.

PARTICIPEZ POUR COURIR LA CHANCE DE GAGNER UN MONTANT DE 100 \$ À DÉPENSER SUR NOTRE SITE WEB.

Escaneer le code ou visiter le register.proctorsilex.com

de concours s'adresse aux clients des États-Unis seulement.

INGRESE PARA TENER LA OPORTUNIDAD DE GANAR \$100 PARA GASTAR EN NUESTRO SITIO WEB.

Escanee el código o visite register.proctorsilex.com



Este concurso está disponible solo a clientes de los Estados Unidos.






IMPORTANT SAFEGUARDS

When using electrical appliances, basic safety precautions should always be followed to reduce the risk of fire, electric shock, and/or injury to persons, including the following:

1. Read all instructions.
 2. This appliance is not intended for use by persons (including children) with reduced physical, sensory, or mental capabilities, or lack of experience and knowledge, unless they are closely supervised and instructed concerning use of the appliance by a person responsible for their safety.
 3. Close supervision is necessary when any appliance is used by or near children. Cleaning and user maintenance shall not be made by children unless they are supervised. Children should be supervised to ensure that they do not play with the appliance.
 4. Do not touch hot surfaces. Use handles or knobs, which may be warm. Use oven mitts.
 5. To protect against electric shock, do not immerse cord, plug, or variable heat power cord in water or other liquid.
 6. Unplug from outlet when not in use and before cleaning. Allow to cool before putting on or taking off parts, and before cleaning the appliance. To unplug, grasp the plug and pull from the outlet. Never pull from the power cord.
 7. Do not operate any appliance with a damaged supply cord or plug, or after the appliance malfunctions or has been dropped or damaged in any manner. Supply cord replacement and repairs must be conducted by the manufacturer, its service agent, or similarly qualified persons in order to avoid a hazard. Contact Customer Service for information on examination, repair, or adjustment as set forth in the Limited Warranty.
 8. The use of accessory attachments not recommended by the appliance manufacturer may cause injuries.
 9. Do not use outdoors.
 10. Do not let cord hang over edge of table or counter, or touch hot surfaces, including the stove.
 11. Do not place on or near a hot gas or electric burner, or in a heated oven.
- 
- 


- 
12. Extreme caution must be used when moving an appliance containing hot oil or other hot liquids.
 13. To disconnect, move temperature control to 1 and remove plug from wall outlet. To unplug, grasp the plug and pull from the outlet. Never pull from the power cord.
 14. Do not use appliance for other than intended use.
 15. Do not operate the appliance by means of an external timer or separate remote-control system.
 16. Do not leave the appliance unattended while the appliance is connected to an electrical outlet.
 17. Never remove food with any kind of cutting device or other metallic kitchen utensil.

OTHER CONSUMER SAFETY INFORMATION


SAVE THESE INSTRUCTIONS

This appliance is intended for household use only.

This appliance is only intended for the preparation, cooking, and serving of foods. This appliance is not intended for use with any nonfood materials or products.



⚠ WARNING Electrical Shock Hazard: This appliance is provided with either a polarized (one wide blade) or grounded (3-prong) plug to reduce the risk of electric shock. The plug fits only one way into a polarized or grounded outlet. Do not defeat the safety purpose of the plug by modifying the plug in any way or by using an adapter. If the plug does not fit fully into the outlet, reverse the plug. If it still does not fit, have an electrician replace the outlet.



The length of the cord used on this appliance was selected to reduce the hazards of becoming tangled in or tripping over a longer cord. If a longer cord is necessary, an approved extension cord may be used. The electrical rating of the extension cord must be equal to or greater than the rating of the appliance. If the appliance is of the grounding type, the extension cord should be a grounding-type, 3-wire cord. Care must be taken to arrange the extension cord so that it will not drape over the countertop or tabletop where it can be pulled on by children or accidentally tripped over.

To avoid an electrical circuit overload, do not use another high-wattage appliance on the same circuit with this appliance.



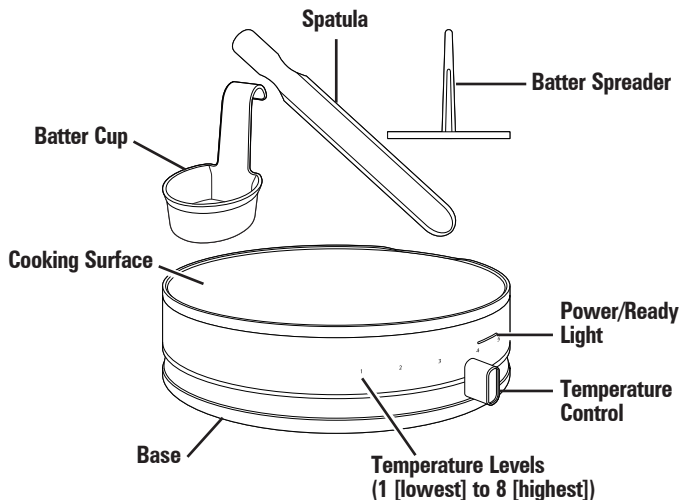
Parts and Features

Before First Use: Most heating appliances produce an odor and/or smoke when used for the first time. Plug into outlet. Move the temperature control to 8; then let preheat for approximately 5 minutes. The odor should not be present after this initial preheating. Wipe cooking surface with a soft, soapy cloth; then wipe with a soft, damp cloth before using.

To order parts:
proctorsilex.com

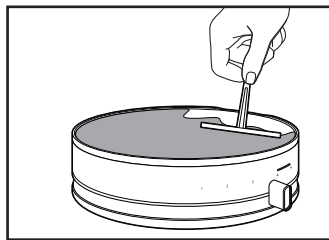


CAUTION: HOT SURFACE. The temperature of accessible surfaces may be high when the appliance is operating.



How to Make Crepes

1. Prepare crepe batter according to recipe.
2. Plug in crepe maker and power light will illuminate orange. Slide temperature control to the desired heat setting. 1 is the lowest heat setting and 8 is the highest heat setting. Move temperature control to 4. Power light will illuminate green when the desired temperature is reached. For browner crepes move temperature control to increase temperature.
3. Spray cooking surface lightly with cooking spray or add 1 teaspoon (5 g) butter, and wait until melted.
4. Using the batter cup, pour 1/2 cup (118 ml) batter onto cooking surface for a small crepe, or 3/4 cup (177 ml) batter for a large crepe. Quickly place the batter spreader in the center of the batter moving clockwise or counterclockwise, spreading mixture out for a thin crepe.
5. Cook 1 to 2 minutes, or until bottom of crepe is lightly browned. If desired, use the spatula to turn crepes over and cook for an additional minute. Remove and place on a platter. Cover to keep warm while making the remaining crepes.
6. Move temperature control to 1 setting. Unplug and cool completely.



Care and Cleaning

WARNING Electrical Shock Hazard.

Disconnect power before cleaning. Do not immerse cord, plug, or base in water or any liquid.

1. Make sure crepe maker is unplugged and completely cooled.
2. Batter cup, spatula and batter spreader are dishwasher-safe in top rack of dishwasher.
3. Wipe base with a damp cloth.
4. Remove any residue with a paper towel.
5. Wipe the cooking surface with a soft, damp cloth. Allow cooking surface to completely dry before storing.

Troubleshooting

- Crepes are too pale. Temperature control is set too low. Move temperature control to a higher number heat setting.
- Crepes are too dark. Temperature control is set too high. Move temperature control to a lower number heat setting.

Recipes

Basic Crepes

1 cup (120 g) all-purpose flour

1/2 teaspoon (2.8 g) salt

1 1/4 cups (296 ml) whole milk

3 tablespoons (43 g) butter, melted

2 large eggs

2 to 3 teaspoons (9 to 14 g) butter, for cooking crepes


1. In a medium bowl, combine flour and salt. Add milk, 3 tablespoons (43 g) melted butter and eggs. Whisk until smooth. Or, to use a blender, place milk, melted butter and eggs in a blender jar. Add flour and salt. Blend on medium speed until smooth.
2. Cover mixture and refrigerate for 1 hour.
3. Plug in crepe maker and select heat setting 4. When orange light turns green, add 1 teaspoon (5 g) butter to cooking surface and coat evenly.
4. Pour 1/2 cup (118 ml) batter onto cooking surface for a small crepe. Use 3/4 cup (177 ml) batter for a large crepe. Using spreader, evenly spread batter as thinly as possible. Cook crepe 1 to 2 minutes, or until underside is lightly golden. If desired, use spatula to flip crepe and cook for an additional minute. Use spatula to gently slide crepe from cooking surface onto plate. Cover and keep warm while cooking remaining crepes. Add additional butter to cooking surface as needed.
5. Top crepes with desired filling and serve immediately.

Serves: 4–6

Mushroom Gruyere Crepes

- 1 cup (120 g) all-purpose flour
- 1 teaspoon (5.7 g) salt, divided
- 1/4 teaspoon (0.5 g) ground black pepper
- 1 1/4 cups (296 ml) whole milk
- 3 tablespoons (43 g) butter, melted
- 2 large eggs
- 2 tablespoons (30 ml) olive oil
- 1 medium shallot, finely chopped
- 16 ounces (454 g) mixed mushrooms, thinly sliced
- 1 large clove garlic, minced
- 1/4 cup (59 ml) dry white wine
- 2 to 3 teaspoons (9 to 14 g) butter, for cooking crepes
- 2 cups (216 g) grated Gruyere cheese
- Chopped parsley, if desired

1. In a medium bowl, combine flour, 1/2 teaspoon (2.8 g) salt and black pepper. Add milk, 3 tablespoons (43 g) melted butter and eggs. Whisk until smooth. Or, to use blender, place milk, melted butter and eggs in a blender jar. Add flour mixture. Blend on medium speed until smooth.
2. Cover mixture and refrigerate for 1 hour.
3. Meanwhile, in a large skillet over medium-high, heat olive oil. Add shallots and cook 1 to 2 minutes, or until tender. Add garlic and wine, scraping up any browned bits. Cook 1 to 2 minutes, or until the liquid has evaporated. Set aside mushroom mixture.

- 
4. Plug in crepe maker and select heat setting 4. When orange light turns green, add 1 teaspoon (5 g) butter to cooking surface and coat evenly.
 5. Pour 1/2 cup (118 ml) batter onto cooking surface for a small crepe. Use 3/4 cup (177 ml) batter for a large crepe. Using spreader, evenly spread batter as thinly as possible. Cook crepe 1 to 2 minutes, or until underside is lightly golden. If desired, use spatula to flip crepe and cook for an additional minute. Use spatula to gently slide crepe from cooking surface onto plate. Cover and keep warm while cooking remaining crepes. Add additional butter to cooking surface as needed.
 6. Sprinkle 1/3 cup (36 g) Gruyere in the center of each crepe and top with 1/3 cup (36 g) mushroom mixture. Fold sides of crepe over the filling. Sprinkle with parsley, if desired. Serve immediately.

Serves: 4–6



Raspberry Ricotta Crepes

1 cup (120 g) all-purpose flour

1 teaspoon (4 g) sugar

1/2 teaspoon (2.8 g) salt

1 1/4 cups (296 ml) whole milk

3 tablespoons (43 g) butter, melted

2 large eggs

2 to 3 teaspoons (9 to 14 g) butter, for cooking crepes

1 cup (246 g) whole milk ricotta cheese

2 tablespoons (14 g) confectioners' sugar

3 cups (360 g) fresh raspberries

1. In a medium bowl, combine flour, sugar and salt. Add milk, 3 tablespoons (43 g) melted butter and eggs. Whisk until smooth. Or, to use a blender, place milk, melted butter and eggs in a blender jar. Add flour, sugar and salt. Blend on medium speed until smooth.
2. Cover mixture and refrigerate for 1 hour.
3. Plug in crepe maker and select heat setting 4. When orange light turns green, add 1 teaspoon (5 g) butter to cooking surface and coat evenly.
4. Pour 1/2 cup (118 ml) batter onto cooking surface for a small crepe. Use 3/4 cup (177 ml) batter for a large crepe. Using spreader, evenly spread batter as thinly as possible. Cook crepe 1 to 2 minutes, or until underside is lightly golden. If desired, use spatula to slip crepe and cook for an additional minute. Use spatula to gently slide crepe from cooking surface onto plate. Cover and keep warm while cooking remaining crepes. Add additional butter to cooking surface as needed.
5. In a small bowl, combine ricotta cheese and confectioners' sugar. Cover half of each crepe with ricotta cheese mixture and fold crepe into quarters.
6. Top with raspberries and serve immediately.

Serves: 4–6

LIMITED WARRANTY

This warranty applies to products purchased and used in the U.S. and Canada. This is the only express warranty for this product and is in lieu of any other warranty or condition.

This product is warranted to be free from defects in material and workmanship for a period of three (3) years from the date of original purchase. During this period, your exclusive remedy is repair or replacement of this product or any component found to be defective, at our option; however, you are responsible for all costs associated with returning the product to us and our returning a product or component under this warranty to you. If the product or component is no longer available, we will replace with a similar one of equal or greater value.


This warranty does not cover glass, filters, wear from normal use, use not in conformity with the printed directions, or damage to the product resulting from accident, alteration, abuse, or misuse. This warranty extends only to the original consumer purchaser or gift recipient. Keep the original sales receipt, as proof of purchase is required to make a warranty claim. This warranty is void if the product is used for other than single-family household use or subjected to any voltage and waveform other than as specified on the rating label (e.g., 120 V ~ 60 Hz).

We exclude all claims for special, incidental, and consequential damages caused by breach of express or implied warranty. All liability is limited to the amount of the purchase price. **Every implied warranty, including any statutory warranty or condition of merchantability or fitness for a particular purpose, is disclaimed except to the extent prohibited by law, in which case such warranty or condition is limited to the duration of this written warranty.** This warranty gives you specific legal rights. You may have other legal rights that vary depending on where you live. Some states or provinces do not allow limitations on implied warranties or special, incidental, or consequential damages, so the foregoing limitations may not apply to you. To make a warranty claim, do not return this appliance to the store. Please write Hamilton Beach Brands, Inc., Customer Service Department, 4421 Waterfront Dr., Glen Allen, VA 23060, or visit proctorsilex.com/customer-service in the U.S. or proctorsilex.ca/customer-service in Canada. For faster service, locate the model, type, and series numbers on your appliance.

PRÉCAUTIONS IMPORTANTES

Pour utiliser un appareil électroménager, vous devez toujours prendre des mesures élémentaires de sécurité pour réduire le risque d'incendie, d'électrocution et/ou de blessure corporelle, en particulier les mesures suivantes :


1. Lire toutes les instructions.
2. Cet appareil n'est pas destiné à être utilisé par des personnes (y compris les enfants) dont les capacités physiques, sensorielles ou mentales sont réduites, ou manquant d'expérience et de connaissance, sauf si elles sont étroitement surveillées et instruites sur l'utilisation de l'appareil par une personne responsable de leur sécurité.
3. Une surveillance étroite est nécessaire lorsque tout appareil est utilisé par des, ou en présence d'enfants. Le nettoyage et l'entretien ne doit pas fait par des enfants à moins d'être sous supervision. Les enfants doivent être supervisés afin d'assurer qu'ils ne jouent pas avec l'appareil.
4. Ne pas toucher les surfaces chaudes. Utiliser les poignées ou les boutons qui peuvent être chauds. Utiliser des gants cuisine.
5. Pour protéger contre le risque de choc électrique, ne pas immerger l'appareil, le cordon ou cordon à commande de température dans l'eau ou autre liquide.
6. Débrancher de la prise murale dès la fin de l'utilisation et avant le nettoyage. Laisser refroidir le gril avant d'installer ou de retirer des pièces et avant de le nettoyer. Pour débrancher, saisir la fiche et la retirer de la prise. Ne pas tirer sur le cordon d'alimentation.
7. Ne pas faire fonctionner un appareil électroménager avec un cordon ou une fiche endommagée, ou lorsque l'appareil ne fonctionne pas bien ou a été échappé ou endommagé d'une manière quelconque. Le remplacement et la réparation du cordon d'alimentation doivent être faits par le fabricant, son agent de service ou toute personne qualifiée de façon à éviter tout danger. Veuillez communiquer avec le service à la clientèle pour obtenir de l'information concernant l'inspection, la réparation ou le réglage, comme précisé dans la garantie limitée.
8. L'utilisation d'accessoires non recommandés par le fabricant d'électroménagers peut causer des blessures.
9. Ne pas utiliser à l'extérieur.
10. Ne pas laisser pendre le cordon de la table ou du comptoir et éviter que le cordon n'entre en contact avec des surfaces chaudes, y compris la cuisinière.

- 
11. Ne pas placer sur ou près d'un brûleur chaud à gaz ou électrique, ou dans un four chaud.
 12. Une très grande prudence doit être exercée lors du déplacement de tout appareil contenant des huiles ou des liquides chauds.
 13. Pour débrancher, déplacer la commande de température à « 1 » et retirer la fiche de cordon de la prise murale. Pour débrancher, saisir la fiche et la retirer de la prise. Ne pas tirer sur le cordon d'alimentation.
 14. N'utiliser cet appareil que pour les fonctions auxquelles il est destiné. Para desconectarlo, agarre el enchufe y retire del tomacorrientes. Nunca tire el cable de alimentación.
 15. Ne pas faire fonctionner cet appareil avec une minuterie externe ou un système de télécommande distinct.
 16. Ne pas laisser l'appareil sans surveillance lorsqu'il est branché dans une prise de courant.
 17. Ne jamais retirer les aliments à l'aide d'ustensiles de cuisine métalliques ou tout autre dispositif de coupe.


CONSERVER CES INSTRUCTIONS

AUTRES CONSIGNES DE SÉCURITÉ POUR LE CONSOMMATEUR

Cet appareil est destiné à un usage domestique uniquement.



Cet appareil est conçu uniquement pour préparer, faire cuire et servir des aliments. Cet appareil n'est pas conçu pour une utilisation avec toute autre matière ou produit non alimentaire.



⚠ AVERTISSEMENT **Risque de choc électrique** : Cet appareil est fourni avec une fiche polarisée (lame plus large) ou d'une fiche (3 lames et mise à la terre) pour réduire le risque d'électrocution. Cette fiche s'insère d'une seule manière dans une prise polarisée ou prise avec mise à la terre. Ne pas transformer le dispositif de sécurité de la fiche en modifiant celle-ci de quelque façon ou en utilisant un adaptateur. Si vous ne pouvez pas insérer complètement la fiche dans la prise, inversez la fiche. Si elle refuse toujours de s'insérer, faire remplacer la prise par un électricien.

La longueur du cordon installé sur cet appareil a été sélectionnée afin de réduire les risques d'enchevêtrement ou de faux pas causés par un fil trop long. L'utilisation d'une rallonge approuvée est permise, si le cordon est trop court. Les caractéristiques électriques de la rallonge doivent être équivalentes ou supérieures aux caractéristiques de l'appareil. Si cet appareil est du type à mise à la terre, la rallonge doit être du type à mise à la terre, à 3 fils. Prendre toutes les précautions nécessaires pour installer la rallonge de manière à ne pas la faire courir sur le comptoir ou sur une table pour éviter qu'un enfant ne tire sur le cordon ou trébuche accidentellement.

Pour éviter la surcharge du circuit électrique, ne pas utiliser un autre appareil à haute puissance sur le même circuit que cet appareil.

Pièces et caractéristiques

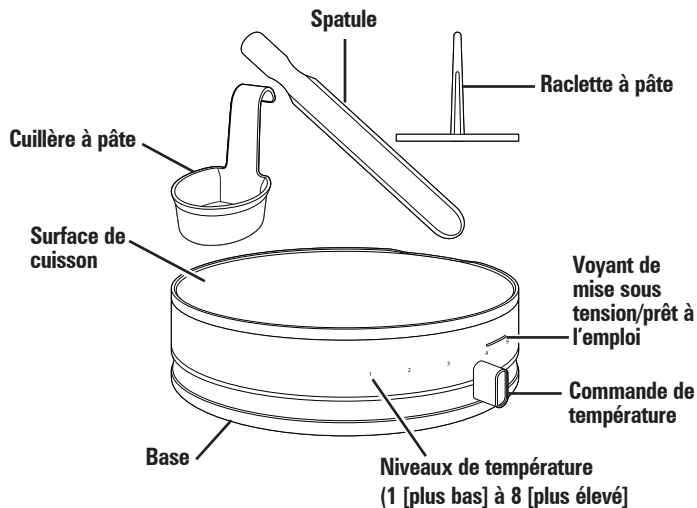
Avant la première utilisation : La plupart des appareils chauffants génèrent une odeur et/ou de la fumée lors de leur première utilisation. Brancher dans une prise de courant. Mettre la commande de température à « 8 »; puis laisser préchauffer durant environ 5 minutes. L'odeur devrait disparaître suite au préchauffage initial. Essuyer la surface de cuisson avec un linge doux imbibé d'eau savonneuse; puis essuyer avec un linge doux humide avant l'utilisation.

Pour commander des pièces :

Canada : proctorsilex.ca

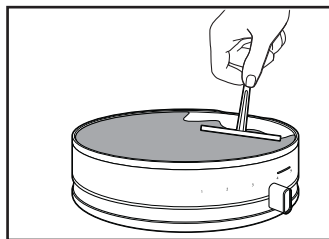


ATTENTION : SURFACE CHAUDE : La température des surfaces extérieures sera plus élevée pendant le fonctionnement de l'appareil.



Comment cuire des crêpes

1. Préparer la pâte à crêpe selon la recette.
2. Brancher la crêpière, le voyant de mise sous tension s'allumera en orange. Glisser la commande de température jusqu'au réglage de chaleur désiré. Le niveau « 1 » est le réglage de chaleur le plus bas et « 8 », le plus élevé. Déplacer la commande de température à « 4 ». Le voyant de mise sous tension s'allumera en vert une fois atteinte la température désirée. Pour obtenir des crêpes plus dorées, déplacer la commande de température de manière à augmenter l'intensité de chaleur.
3. Vaporiser légèrement la surface de cuisson avec un vaporisateur alimentaire ou ajouter une cuillerée à thé (5 g) de beurre, et attendre qu'ils fondent.
4. Avec la cuillère à pâte, verser 1/2 tasse (118 ml) de pâte sur la surface de cuisson pour une petite crêpe, ou 3/4 de tasse (177 ml) pour une grande crêpe. Placer rapidement la raclette à pâte au centre de la pâte et tourner dans le sens des aiguilles d'une montre (ou dans le sens contraire) en étendant le mélange vers l'extérieur pour obtenir une crêpe mince.
5. Cuire 1 ou 2 minutes, ou jusqu'à ce que le bas de la crêpe soit légèrement bruni. Si désiré, utiliser la spatule pour retourner la crêpe et cuire une minute de plus. Retirer la crêpe et la placer sur une assiette de service. Recouvrir pour garder chaud pendant la cuisson des autres crêpes.
6. Une fois terminé, placer la commande de température à « 1 ». Débrancher et laisser refroidir complètement.



Entretien et nettoyage

⚠ AVERTISSEMENT Risque de choc électrique.

Débrancher l'alimentation électrique avant le nettoyage. Ne pas immerger le cordon, la fiche ni la base dans l'eau ou un autre liquide.

1. S'assurer que la crêpière est débranchée et totalement refroidie.
2. La cuillère à pâte, la spatule, et la raclette à pâte sont lavables dans le panier supérieur du lave-vaisselle.
3. Essuyer la base avec un linge humide.
4. Nettoyer tout résidu avec une serviette en papier.
5. Essuyer la surface de cuisson avec un linge doux humide. Laisser sécher la surface de cuisson complètement avec le rangement.

Dépannage

- Les crêpes sont trop pâles. La commande de température est réglée à un niveau trop bas. Placer la commande de température à un chiffre plus élevé.
- Les crêpes sont trop foncées. La commande de température est réglée à un niveau trop élevé. Placer la commande de température à un chiffre moins élevé.

Recettes

Crêpes simples

1 tasse (120 g) de farine tout usage

1/2 cuillerée à thé (2,8 g) de sel

1 1/4 tasse (296 ml) de lait entier

3 cuillerées à table (43 g) de beurre, fondu

2 œufs de calibre gros

2 ou 3 cuillerées à thé (9 à 14 g) de beurre, pour cuire les crêpes

1. Dans un bol de taille moyenne, combiner la farine et le sel.

Ajouter le lait, 3 cuillerées à table (43 g) de beurre fondu et les œufs. Fouetter jusqu'à obtenir une texture lisse. Si l'on utilise plutôt un mélangeur, placer le lait, le beurre fondu et les œufs dans le récipient. Ajouter la farine et le sel. Mélanger à vitesse moyenne jusqu'à obtenir une texture lisse.

2. Recouvrir le mélange et réfrigérer durant 1 heure.

3. Brancher la crêpière et régler la température au niveau « 4 ». Lorsque le voyant orange passe au vert, ajouter 1 cuillerée à thé (5 g) de beurre sur la surface de cuisson et étendre uniformément.

4. Verser 1/2 tasse (118 ml) de pâte sur la surface de cuisson pour une petite crêpe. Avec la raclette, étendre la pâte uniformément, aussi mince que possible. Cuire la crêpe 1 ou 2 minutes, ou jusqu'à ce que le dessous soit légèrement doré. Si désiré, utiliser une spatule pour retourner la crêpe et cuire 1 minute de plus. Utiliser la spatule pour glisser délicatement la crêpe sur une assiette de service. Recouvrir et garder chaud durant la cuisson des autres crêpes. Ajouter du beurre sur la surface de cuisson au besoin.


5. Coiffer les crêpes de la garniture désirée et servir immédiatement.

Portions: 4 à 6

Crêpes au gruyère et champignons

- 1 tasse (120 g) de farine tout usage
- 1 cuillerée à thé (5,7 g) de sel, divisé
- 1/4 de cuillerée à thé (0,5 g) de poivre noir moulu
- 1 1/4 tasse (296 ml) de lait entier
- 3 cuillerées à table (43 g) de beurre, fondu
- 2 œufs de calibre gros
- 2 cuillerées à table (30 ml) d'huile d'olive
- 1 échalote moyenne, hachée finement
- 16 onces (454 g) de champignons mélangés, tranchés minces
- 1 grosse gousse d'ail, hachée fin
- 1/4 tasse (59 ml) de vin blanc sec
- 2 à 3 cuillerées à thé (9 à 14 g) de beurre, pour cuire les crêpes
- 2 tasses (216 g) de fromage gruyère râpé
- Persil haché, si désiré

1. Dans un bol de taille moyenne, combiner la farine, 1/2 cuillerée à thé (2,8 g) de sel et du poivre noir. Ajouter le lait, 3 cuillerées à table (43 g) de beurre fondu et les œufs. Fouetter jusqu'à obtenir une texture lisse. Si l'on utilise plutôt un mélangeur, ajouter le lait, le beurre fondu et les œufs dans le récipient. Ajouter le mélange de farine. Mélanger à vitesse moyenne jusqu'à obtenir une texture lisse.
2. Recouvrir le mélange et réfrigérer durant 1 heure.
3. Pendant ce temps, chauffer l'huile d'olive dans un grand poêlon à feu moyen-élevé. Ajouter l'échalote et cuire 1 à 2 minutes, ou jusqu'à tendreté. Ajouter l'ail et le vin, en râclant tout petit morceau bruni. Cuire 1 à 2 minutes, ou jusqu'à évaporation du liquide. Mettre le mélange de champignons de côté.

- 
4. Brancher la crêpière et régler la chaleur à « 4 ». Lorsque le voyant orange passe au vert, ajouter 1 cuillerée à thé (5 g) de beurre sur la surface de cuisson et étendre uniformément.
 5. Verser 1/2 tasse (118 ml) de pâte sur la surface de cuisson pour une petite crêpe. Utiliser 3/4 de tasse (177 ml) de pâte pour une grande crêpe. Avec la raclette, étendre la pâte uniformément pour obtenir une couche aussi mince que possible. Cuire la crêpe durant 1 à 2 minutes, ou jusqu'à ce que le dessous soit légèrement doré. Si désiré, utiliser une spatule pour glisser délicatement la crêpe dans l'assiette de service. Recouvrir et garder chaud pendant la cuisson des autres crêpes. Ajouter du beurre sur la surface de cuisson au besoin.
 6. Saupoudrer 1/3 de tasse (36 g) de gruyère au centre de chaque crêpe et garnir avec 1/3 de tasse (36 g) de mélange de champignons. Plier les côtés de la crêpe sur la garniture. Garnir de persil si désiré. Servir immédiatement.

Portions: 4 à 6



Crêpes à la ricotta et framboises

1 tasse (120 g) de farine tout usage

1 cuillerée à thé (4 g) de sucre

1/2 cuillerée à thé (2,8 g) de sel

1 1/4 de tasse (296 ml) de lait entier

3 cuillerées à table (43 g) de beurre, fondu

2 œufs de calibre gros

2 à 3 cuillerées à thé (9 à 14 g) de beurre, pour cuire les crêpes

1 tasse (246 g) de fromage ricotta au lait entier

2 cuillerées à table (14 g) de sucre glace

3 tasses (360 g) de framboises fraîches

1. Dans un bol de taille moyenne, combiner la farine, le sucre et le sel. Ajouter le lait, 3 cuillerées à table (43 g) de beurre fondu et les œufs. Fouetter jusqu'à obtenir une texture lisse. Si l'on utilise plutôt un mélangeur, placer le lait, le beurre fondu et les œufs dans le récipient. Ajouter la farine, le sucre et le sel. Mélanger à vitesse moyenne jusqu'à obtenir une texture lisse.
2. Recouvrir le mélange et réfrigérer durant 1 heure.
3. Brancher la crêpière et régler la chaleur à « 4 ». Lorsque le voyant orange passe au vert, ajouter 1 cuillerée à thé (5 g) de beurre sur la surface de cuisson et étendre uniformément.
4. Verser 1/2 tasse (118 ml) de pâte sur la surface de cuisson pour une petite crêpe. Utiliser 3/4 de tasse (177 ml) de pâte pour une grande crêpe. Avec la raclette, étendre la pâte uniformément pour obtenir une couche aussi mince que possible. Cuire la crêpe durant 1 à 2 minutes, ou jusqu'à ce que le dessous soit légèrement doré. Si désiré, utiliser une spatule pour retourner la crêpe et cuire 1 minute de plus. Utiliser une spatule pour glisser délicatement la crêpe dans l'assiette de service. Recouvrir et garder chaud pendant la cuisson des autres crêpes. Ajouter du beurre sur la surface de cuisson au besoin.
5. Dans un petit bol, combiner le fromage ricotta et le sucre glace. Recouvrir la moitié de chaque crêpe avec le mélange de ricotta et plier les crêpes en quartiers.
6. Garnir de framboises et servir immédiatement.

Portions: 4 à 6

GARANTIE LIMITÉE

Cette garantie s'applique aux produits achetés et utilisées aux É.-U. et au Canada. C'est la seule garantie expresse pour ce produit et est en lieu et place de tout autre garantie ou condition.

Ce produit est garanti contre tout défaut de matériaux et de main-d'oeuvre pour une période de trois (3) ans à compter de la date d'achat d'origine. Au cours de cette période, votre seul recours est la réparation ou le remplacement de ce produit ou tout composant s'avérant défectueux, à notre gré, mais vous êtes responsable de tous les coûts liés à l'expédition du produit et le retour d'un produit ou d'un composant dans le cadre de cette garantie. Si le produit ou un composant n'est plus offert, nous le remplacerons par un produit similaire de valeur égale ou supérieure.

Cette garantie ne couvre pas le verre, les filtres, l'usure d'un usage normal, l'utilisation non conforme aux directives imprimées, ou des dommages au produit résultant d'un accident, modification, utilisation abusive ou incorrecte. Cette garantie s'applique seulement à l'acheteur original ou à la personne l'ayant reçu en cadeau. La présentation du reçu de vente d'origine comme preuve d'achat est nécessaire pour faire une réclamation au titre de cette garantie. Cette garantie s'annule si le produit est utilisé autrement que par une famille ou si l'appareil est soumis à toute tension ou forme d'onde différente des caractéristiques nominales précisées sur l'étiquette (par ex. : 120 V ~ 60 Hz).

Nous excluons toutes les réclamations au titre de cette garantie pour les dommages spéciaux, consécutifs et indirects causés par la violation de garantie expresse ou implicite. Toute responsabilité est limitée au prix d'achat.


Chaque garantie implicite, y compris toute garantie ou condition de qualité marchande ou d'adéquation à un usage particulier, est exonérée, sauf dans la mesure interdite par la loi, auquel cas la garantie ou condition est limitée à la durée de cette garantie écrite. Cette garantie vous donne des droits légaux précis. Vous pouvez avoir d'autres droits qui varient selon l'endroit où vous habitez. Certaines provinces ne permettent pas les limitations sur les garanties implicites ou les dommages spéciaux ou indirects de telle sorte que les limitations ci-dessus ne s'appliquent peut-être pas à votre cas.

Ne pas retourner cet appareil au magasin lors d'une réclamation au titre de cette garantie. Veuillez nous écrire à Hamilton Beach Brands, Inc., Customer Service Department, 4421 Waterfront Dr., Glen Allen, VA 23060, ou visiter le site proctorsilex.com/customer-service aux États-Unis ou hamiltonbeach.ca/customer-service au Canada. Pour obtenir un service plus rapide, veuillez repérer les numéros de modèle, de type et de séries sur votre appareil. ach.ca/customer-service in Canada.

SALVAGUARDIAS IMPORTANTES

Cuando utilice artefactos eléctricos, siempre deben seguirse precauciones de seguridad básicas a fin de reducir el riesgo de incendio, descarga eléctrica, y/o lesiones a personas, incluyendo las siguientes:

1. Lea todas las instrucciones.
2. Este aparato no se destina para utilizarse por personas (incluyendo niños) cuyas capacidades físicas, sensoriales o mentales sean diferentes o estén reducidas, o carezcan de experiencia o conocimiento, a menos que dichas personas reciban una supervisión o capacitación para el funcionamiento del aparato por una persona responsable de su seguridad.
3. Se necesita una supervisión estrecha al usar cualquier aparato por niños o en la presencia de los niños. La limpieza y la reparación no debe ser hecha por niños a menos que estén siendo supervisados. Los niños deben ser supervisados para asegurarse que no jueguen con el aparato.
4. Verifique que el voltaje de su instalación corresponda con el del producto.
5. No toque las superficies calientes. Use manijas o perillas, que pueden estar calientes. Use guantes de cocinar.
6. Para evitar el peligro de descargas eléctricas, no sumerja el cable, el enchufe o el cable de energía de calor variable en agua u otro líquido. Para desconectarlo, agarre el enchufe y retire del tomacorrientes. Nunca tire el cable de alimentación.
7. Desconecte de la toma cuando no esté en uso o antes de limpiar. Permita que se enfríe antes de poner o quietar partes, y antes de limpiar el aparato.
8. No opere ningún aparato con cables o enchufe dañados o después de que el aparato funcione mal o se caiga o dañe de cualquier manera. El reemplazo del cable de suministro y las reparaciones deben ser efectuadas por el fabricante, su agente de servicio, o personas igualmente calificadas para poder evitar un peligro. Comuníquese con Servicio al cliente para obtener información sobre la revisión, la reparación o los ajustes, según lo establecido en la Garantía limitada.
9. El uso de aditamentos de accesorio no recomendados por el fabricante del aparato puede causar lesiones.
10. No lo use en exteriores.
11. No deje que el cable cuelgue del borde de la mesa o cubierta, o que toque superficies calientes, incluyendo la estufa.


- 
12. No coloque sobre o cerca de quemadores de gas o eléctricos calientes o en un horno calentado.
 13. Se debe tener extrema precaución cuando se mueva un aparato que contenga aceite caliente u otros líquidos calientes.
 14. Para desconectar, gire el control de temperatura a 1 y luego quite el enchufe del tomacorriente.
 15. No use el aparato para otro uso que para el que fue hecho.
 16. No haga funcionar el artefacto mediante mediante un temporizador externo o un sistema de control remoto separado.
 17. No deje el artefacto sin atención mientras la unidad se encuentra conectada a un tomacorriente eléctrico.
 18. Nunca remueva el alimento con ningún tipo de dispositivo de corte u otro utensilio de cocina metálico.

GUARDE ESTAS INSTRUCCIONES

OTRA INFORMACIÓN DE SEGURIDAD PARA EL CLIENTE

Este aparato ha sido diseñado solamente para uso doméstico.

Este aparato ha sido diseñado solamente para la preparación, cocción y servido de alimentos. No está diseñado para usarse con materiales que no sean alimentos ni con productos no alimenticios.



⚠ ADVERTENCIA Peligro de Descarga Eléctrica: Este aparato es provisto con un enchufe ya sea polarizado (con una clavija ancha) o aterrizado (3-clavija) para reducir el riesgo de descarga eléctrica. El enchufe entra sólo de una manera en una toma polarizada o aterrizada. No elimine el propósito de seguridad del enchufe modificando el enchufe de ninguna manera o usando un adaptador. Si el enchufe no entra completamente en la toma, invierta el enchufe. Si aún no entra, haga que un electricista reemplace la toma.

La longitud del cable usado para este aparato fue seleccionado para reducir los riesgos de enredarse o tropezarse con un cable más largo. Si se necesita un cable más largo, se puede usar un cable extensión aprobado. La clasificación eléctrica de la cable extensión debe ser igual o mayor que la clasificación del aparato. Si el aparato es del tipo de conexión a tierra, el cable de extensión debe ser del tipo de conexión a tierra con 3 cables. Es importante tener cuidado de colocar el cable de extensión para que no se pliegue sobre el mostrador o la mesera en donde niños puedan tirar del mismo o tropezarse accidentalmente.

Para evitar una sobrecarga eléctrica del circuito, no use otro aparato de alto voltaje en el mismo circuito con este aparato.

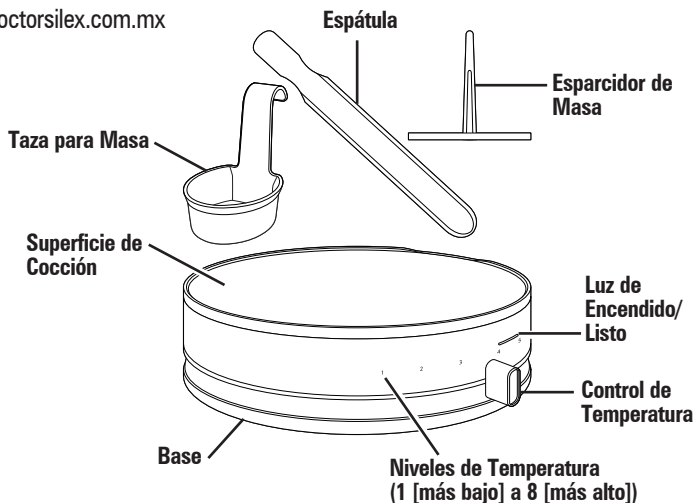
Piezas y Características

Antes del Primer Uso: La mayoría de los aparatos que generan calor producen olor y/o humo cuando se utilizan por primera vez. Enchufe en el tomacorriente. Desplace el control de temperatura a 8; luego deje precalentar por aproximadamente 5 minutos. El olor no debe estar presente después de este precalentamiento inicial. Limpie la superficie de cocción con un paño suave jabonoso; luego limpie con un paño suave y húmedo antes de usar.

Para solicitar piezas:

proctorsilex.com

proctorsilex.com.mx

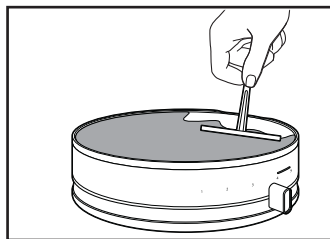


PRECAUCIÓN: SUPERFICIE CALIENTE.

La temperatura de las superficies accesibles puede ser alta cuando el artefacto se encuentra en funcionamiento.

Cómo Preparar Crepes

1. Prepare la masa para crepes de acuerdo con la receta.
2. Enchufe la crepera y la luz de encendido se iluminará de color naranja. Deslice el control de temperatura en la configuración de calor deseada. 1 es la configuración de calor más baja y 8 es la configuración de calor más alta. Desplace el control de temperatura a la configuración 4. La luz de encendido se iluminará de color verde cuando se alcance la temperatura deseada. Para obtener crepes más oscuras, desplace el control de temperatura para aumentar la temperatura.
3. Rocíe la superficie de cocción ligeramente con aerosol para cocción o agregue 1 cucharadita (5 g) de mantequilla y espere a que se derrita.
4. Utilizando la taza para masa, vierta 1/2 taza (118 ml) de masa en la superficie de cocción para una crepe pequeña o 3/4 taza (177 ml) de masa para una crepe más grande. Rápidamente coloque el esparcidor de masa en el centro de la masa moviendo la masa en sentido de las agujas del reloj y en contra de las agujas del reloj para formar una crepe fina.
5. Cocine por 1 a 2 minutos, o hasta que la base de la crepe quede ligeramente dorada. Si así lo desea, use la espátula para dar vuelta las crepes y cocinar por un minuto adicional. Quite la crepe y colóquela sobre una fuente. Cubra para mantener caliente mientras prepara las crepes restantes.
6. Desplace el control de temperatura a la configuración 1. Desenchufe y deje enfriar por completo.



Cuidado y Limpieza

⚠ ADVERTENCIA Riesgo de Descarga Eléctrica.

Desconecte la energía antes de limpiar. No sumerja el cable, el enchufe o la base en agua o en otro líquido.

1. Verifique que la crepera esté desenchufada y completamente fría.
2. La taza para masa, la espátula, y el esparcidor de masa son aptos para lavavajillas en el estante superior.
3. Limpie la base con un paño húmedo.
4. Quite cualquier clase de residuo con una toalla de papel.
5. Limpie la superficie de cocción con un paño suave húmedo. Permita que la superficie de cocción se seque por completo antes de almacenar.

Solución de Problemas

- Las crepes están muy pálidas. El control de temperatura se ha configurado a una temperatura muy baja. Desplace el control de temperatura a una configuración de temperatura más elevada.
- Las crepes están muy oscuras. El control de temperatura se ha configurado a una temperatura muy alta. Desplace el control de temperatura a una configuración de temperatura más baja.

Recetas

Crepes Básicas

1 taza (120 g) de harina para todo propósito

1/2 cucharadita (2.8 ml) de sal

1 1/4 taza (296 ml) de leche entera

3 cucharadas (43 g) de mantequilla derretida

2 huevos grandes

2 a 3 cucharaditas (9 a 14 g) de mantequilla, para cocinar las crepes


1. En un tazón mediano, mezcle la harina y la sal. Agregue la leche, 3 cucharadas (43 g) de mantequilla derretida y los huevos. Bata hasta lograr una consistencia suave. O, si usa una licuadora, coloque la leche, la mantequilla derretida y los huevos en la jarra de la licuadora. Agregue la harina y la sal. Mezcle a velocidad media hasta que quede homogéneo.
2. Cubra la mezcla y refrigere por 1 hora.
3. Enchufe la crepera y seleccione la configuración de calor 4. Cuando la luz naranja cambia a verde, agregue 1 cucharadita (5 g) de mantequilla a la superficie de cocción y recubra en forma pareja.
4. Vierta 1/2 taza (118 ml) de masa a la superficie de cocción para una crepe pequeña. Vierta 3/4 taza (177 ml) de masa para una crepe grande. Utilizando el esparcidor, esparza la masa para que quede lo más delgada posible. Cocine la crepe de 1 a 2 minutos, o hasta que la parte de abajo quede ligeramente dorada. Si así lo desea, use la espátula para dar vuelta la crepe y cocinar por un minuto adicional. Utilice la espátula para deslizar la crepe de la superficie de cocción al plato. Cubra y mantenga caliente mientras prepara las crepes restantes. Agregue mantequilla adicional a la superficie de cocción según sea necesario.
5. Cubra las crepes con el relleno deseado y sirva de inmediato.

Porciones: 4–6

Crepes de Hongos y Gruyere

- 1 taza (120 g) de harina para todo propósito
- 1 cucharadita (5.7 g) de sal (dividida)
- 1/4 cucharadita (0.5 g) de pimienta negra molida
- 1 1/4 taza (296 ml) de leche entera
- 3 cucharadas (43 g) de mantequilla derretida
- 2 huevos grandes
- 2 cucharadas (30 ml) de aceite de oliva
- 1 chalota mediana picada fina
- 16 onzas (454 g) de hongos finamente rebanados
- 1 diente de ajo grande picado
- 1/4 taza (59 ml) de vino blanco seco
- 2 a 3 cucharaditas (9 a 14 g) de mantequilla, para cocinar las crepes
- 2 tazas (216 g) de queso gruyere rallado
- Perejil picado, si así lo desea

1. En un tazón mediano, mezcle la harina, 1/2 cucharadita (2.8 g) de sal y pimienta negra. Agregue la leche, 3 cucharadas (43 g) de mantequilla derretida y los huevos. Bata hasta lograr una consistencia suave. O, si usa una licuadora, coloque la leche, la mantequilla derretida y los huevos en la jarra de la licuadora. Agregue la mezcla de harina. Mezcle a velocidad media hasta que quede homogéneo.
2. Cubra la mezcla y refrigere por 1 hora.
3. Mientras tanto, en una sartén grande a fuego medio-alto, caliente el aceite. Agregue la chalota y cocine de 1 a 2 minutos, o hasta que queden tiernas. Agregue el ajo y el vino, raspando los pedazos dorados. Cocine de 1 a 2 minutos, o hasta que el líquido se haya evaporado. Separe la mezcla de los hongos.

- 
4. Enchufe la crepera y seleccione la configuración de calor 4. Cuando la luz naranja cambia a verde, agregue 1 cucharadita (5 g) de mantequilla a la superficie de cocción y recubra en forma pareja.
 5. Vierta 1/2 taza (118 ml) de masa a la superficie de cocción para una crepe pequeña. Vierta 3/4 taza (177 ml) de masa para una crepe grande. Utilizando el esparcidor, esparza la masa para que quede lo más delgada posible. Cocine la crepe de 1 a 2 minutos, o hasta que la parte de abajo quede ligeramente dorada. Si así lo desea, use la espátula para dar vuelta la crepe y cocinar por un minuto adicional. Utilice la espátula para deslizar la crepe de la superficie de cocción al plato. Cubra y mantenga caliente mientras prepara las crepes restantes. Agregue mantequilla adicional a la superficie de cocción según sea necesario.
 6. Esparza 1/3 taza (36 g) de gruyere en el centro de cada crepe y cubra con 1/3 taza (36 g) de mezcla de hongos. Doble los lados de la crepe sobre el relleno. Espolvoree con perejil, si así lo desea. Sirva de inmediato.

Porciones: 4–6



Crepes de Frambuesas y Ricotta

- 1 taza (120 g) de harina para todo propósito
 - 1 cucharadita (4 g) de azúcar
 - 1/2 cucharadita (2.8 g) de sal
 - 1 1/4 taza (296 ml) de leche entera
 - 3 cucharadas (43 g) de mantequilla derretida
 - 2 huevos grandes
 - 2 a 3 cucharaditas (9 a 14 g) de mantequilla, para cocinar las crepes.
 - 1 taza (246 g) de queso ricotta de leche entera
 - 2 cucharadas (14 g) de azúcar en polvo
 - 3 tazas (360 g) de frambuesas frescas
1. En un tazón mediano, mezcle la harina, el azúcar y la sal. Agregue la leche, 3 cucharadas (43 g) de mantequilla derretida y los huevos. Bata hasta lograr una consistencia suave. O, si usa una licuadora, coloque la leche, la mantequilla derretida y los huevos en la jarra de la licuadora. Agregue la harina, el azúcar y la sal. Mezcle a velocidad media hasta que quede homogéneo.
 2. Cubra la mezcla y refrigere por 1 hora.
 3. Enchufe la crepera y seleccione la configuración de calor 4. Cuando la luz naranja cambia a verde, agregue 1 cucharadita (5 g) de mantequilla a la superficie de cocción y recubra en forma pareja.
 4. Vierta 1/2 taza (118 ml) de masa a la superficie de cocción para una crepe pequeña. Vierta 3/4 taza (177 ml) de masa para una crepe grande. Utilizando el esparcidor, esparza la masa para que quede lo más delgada posible. Cocine la crepe de 1 a 2 minutos, o hasta que la parte de abajo quede ligeramente dorada. Si así lo desea, use la espátula para dar vuelta la crepe y cocinar por un minuto adicional. Utilice la espátula para deslizar la crepe de la superficie de cocción al plato. Cubra y mantenga caliente mientras prepara las crepes restantes. Agregue mantequilla adicional a la superficie de cocción según sea necesario.
 5. En un tazón pequeño, mezcle el queso ricotta y el azúcar en polvo. Cubra la mitad de cada crepe con la mezcla de queso ricotta y doble la crepe en cuartos.
 6. Cubra con las frambuesas y sirva de inmediato.

Porciones: 4–6

GARANTÍA PARA PRODUCTOS COMPRADOS EN MÉXICO		
PRODUCTO:	MARCA:	MODELO:
<p>Grupo HB PS, S.A. de C.V. cuenta con una Red de Centros de Servicio Autorizada, por favor consulte en la lista anexa el nombre y dirección de los establecimientos en la República Mexicana en donde usted podrá hacer efectiva la garantía, obtener partes, componentes, consumibles y accesorios; así como también obtener servicio para productos fuera de garantía. Para mayor información llame sin costo: Centro de Atención al consumidor: 800 71 16 100</p>		
<p>Grupo HB PS, S.A. de C.V. le otorga a partir de la fecha de compra: GARANTÍA DE 3 AÑOS.</p>		
COBERTURA		
<ul style="list-style-type: none"> • Esta garantía ampara, todas las piezas y componentes del producto que resulten con defecto de fabricación incluyendo la mano de obra. • Grupo HB PS, S.A. de C.V. se obliga a reemplazar, reparar o reponer, cualquier pieza o componente defectuoso; proporcionar la mano de obra necesaria para su diagnóstico y reparación, todo lo anterior sin costo adicional para el consumidor. • Esta garantía incluye los gastos de transportación del producto que deriven de su cumplimiento dentro de su red de servicio. 		
LIMITACIONES		
<ul style="list-style-type: none"> • Esta garantía no ampara el reemplazo de piezas deterioradas por uso o por desgaste normal, como son: cuchillas, vasos, jarras, filtros, etc. • Grupo HB PS, S.A. de C.V. no se hace responsable por los accidentes producidos a consecuencia de una instalación eléctrica defectuosa, ausencia de toma de tierra, clavija o enchufe en mal estado, etc. 		
EXCEPCIONES		
<p>Esta garantía no será efectiva en los siguientes casos:</p> <ol style="list-style-type: none"> Cuando el producto se hubiese utilizado en condiciones distintas a las normales. (Uso industrial, semi-industrial o comercial.) Cuando el producto no hubiese sido operado de acuerdo con el instructivo de uso. Cuando el producto hubiese sido alterado o reparado por personas no autorizadas por Grupo HB PS, S.A. de C.V. el fabricante nacional, importador o comercializador responsable respectivo. <p>El consumidor puede solicitar que se haga efectiva la garantía ante la propia casa comercial donde adquirió su producto, siempre y cuando Grupo HB PS, S.A. de C.V. no cuente con talleres de servicio.</p>		
PROCEDIMIENTO PARA HACER EFECTIVA LA GARANTÍA		
<ul style="list-style-type: none"> • Para hacer efectiva la garantía, lleve su aparato al Centro de Servicio Autorizado más cercano a su domicilio (consulte la lista anexa). • Si no existe Centro de Servicio Autorizado en su localidad llame a nuestro Centro de Atención al Consumidor para recibir instrucciones de como hacer efectiva su garantía. 		



FECHA DE ENTREGA	SELLO DEL VENDEDOR	QUEJAS Y SUGERENCIAS
DÍA____ MES____ AÑO____		Si desea hacer comentarios o sugerencias con respecto a nuestro servicio o tiene alguna queja derivada de la atención recibida en alguno de nuestros Centros de Servicio Autorizados, por favor dirigirse a: GERENCIA INTERNACIONAL DE SERVICIO 800 71 16 100 Email: mexico.service@proctorsilex.com

CENTROS DE SERVICIO AUTORIZADOS

Ciudad de México

ELECTRODOMÉSTICOS

Av. Plutarco Elias Calles, No. 1499
Zacahuitzco, Benito Juárez, Ciudad de México, C.P. 09490
Tel: 55 5235 2323

CASA GARCÍA

Av. Patriotismo No. 875-B
Mixcoac, Benito Juárez, Ciudad de México C.P. 03910
Tel: 55 5563 8723

Nuevo León

FERNANDO SEPÚLVEDA REFACCIONES

Ruperto Martínez No. 238 Ote.
Col. Centro, Monterrey N.L., C.P. 64000
Tel: 81 8343 6700

Jalisco

SERVICIOS DE MANTENIMIENTO CASTILLO

Garibaldi No. 1450
Ladrón de Guevara, Gualdalajara, Jalisco, C.P. 44660
Tel: 33 3825 3480

Modelo: 38400	Tipo: G60	Características Eléctricas: 120 V~ 60 Hz 1000 W
-------------------------	---------------------	---

Los modelos incluidos en el instructivo de Uso y Cuidado pueden ir seguidos o no por un sufijo correspondiente a una o varias letras del alfabeto y sus combinaciones, separadas o no por un espacio, coma, diagonal, o guión. Como ejemplos los sufijos pueden ser:
"Y" y/o "MX" y/o "MXY" y/o "Z".

