



WESTON
RECONNECT WITH REAL FOOD

#8 ELECTRIC MEAT GRINDER AND SAUSAGE STUFFER

DUE TO CONSTANT FACTORY IMPROVEMENTS, THE PRODUCT PICTURED MIGHT DIFFER SLIGHTLY FROM THE PRODUCT IN THIS BOX.

IMPORTANT SAFEGUARDS	3-4
OTHER CONSUMER SAFETY INFORMATION	5
COMPONENT LIST	6-7
CLEANING	8
GRINDER ASSEMBLY	9
GRINDING INSTRUCTIONS	10
STUFFER ASSEMBLY	11
STUFFING INSTRUCTIONS	12-13
REVERSE FUNCTION	13
THERMAL OVERLOAD PROTECTION	14
HELPFUL HINTS	14
FOOD SAFETY	15
SAUSAGE INFORMATION	16
WARRANTY	18
SALVAGUARDAS IMPORTANTES	20-21
OTRA INFORMACIÓN DE SEGURIDAD PARA EL CLIENTE	22
LISTA DE COMPONENTES	24-25
LIMPIEZA	26
ENSAMBLADO DE LA PICADORA	27
INSTRUCCIONES PARA PICAR	28
ENSAMBLADO DE LA EMBUTIDORA	29
INSTRUCCIONES PARA EMBUTIR	30-31
USADO LA FUNCIÓN DE REVERSA	31
PROTECCIÓN DE SOBRECARGA TERMAL	32
SUGERENCIAS	32
SEGURIDAD DE LOS ALIMENTOS	33
INFORMACIÓN DE LA SALCHICHA	34
INFORMACIÓN DE GARANTÍA WESTON	36
PRÉCAUTIONS IMPORTANTES	38-39
AUTRES CONSIGNES DE SÉCURITÉ POUR LE CONSOMMATEUR	41
DESCRIPTION DE LA PIÈCE	42-43
NETTOYAGE	44
ASSEMBLAGE DU HACHOIR	45
DIRECTIVES DE HACHAGE	46
ASSEMBLAGE DU POUSSOIR	47
DIRECTIVES POUR FARCIR	48-49
UTILISATION DE LA FONCTION INVERSE (REVERSE)	49
PROTECTION CONTRE LES SURCHARGES THERMIQUES	50
CONSEILS UTILES	50
SÉCURITÉ ALIMENTAIRE	51
INFORMATIONS SUR LES SAUCISSES	52
INFORMATION SUR LA GARANTIE	55

IMPORTANT SAFEGUARDS

When using electrical appliances, basic safety precautions should always be followed to reduce the risk of fire, electric shock, and/or injury to persons, including the following:

1. Read all instructions.
2. This appliance is not intended for use by persons with reduced physical, sensory, or mental capabilities, or lack of experience and knowledge, unless they are closely supervised and instructed concerning use of the appliance by a person responsible for their safety.
3. This appliance shall not be used by children. Keep the appliance and its cord out of reach of children.
4. Close supervision is necessary when any appliance is used near children. Children should be supervised to ensure that they do not use or play with the appliance.
5. To protect against risk of electrical shock, do not put cord, plug, base, or motor in water or other liquid.
6. Turn the appliance OFF (●), then unplug from outlet when not in use, before putting on or taking off parts, and before cleaning. To unplug, grasp the plug and pull from the outlet. Never pull from the power cord.
7. Plug the grinder into a standard 120 Volt, 60 Hz wall outlet. Check if the voltage indicated on the appliance corresponds to the local voltage before you connect the appliance.
8. Do not operate any appliance with a damaged supply cord or plug, or after the appliance malfunctions or has been dropped or damaged in any manner. Supply cord replacement and repairs must be conducted by the manufacturer, its service agent, or similarly qualified persons in order to avoid a hazard. Call the provided technical service number for information on examination, repair, or adjustment.
9. The use of attachments not recommended or sold by the appliance manufacturer may cause fire, electric shock, or injury.
10. Do not use outdoors.
11. Do not let cord hang over edge of table or counter or touch hot surfaces, including stove.
12. Check that the appliance is OFF (●) before plugging cord into wall outlet. To disconnect, turn the control to OFF (●); then remove plug from wall outlet. To unplug, grasp the plug and pull from the outlet. Never pull from the power cord.
13. Do not use the grinder without the tray secured into place.
14. Never feed food by hand. Always use the provided food pusher. Keep fingers clear of the auger and cutting blades at all times. Never reach into the grinder. Doing so may cause serious injury.

SAVE THESE INSTRUCTIONS

IMPORTANT SAFEGUARDS

15. Never use fingers to scrape food away from the grinding plate while the grinder is in operation. Severe injury may result.
16. Never operate the grinder unattended. Be safe. Disconnect the grinder from power source before leaving the work area.
17. Avoid contacting moving parts. Never feed food by hand. Always use food Stomper.
18. To reduce the risk of severe personal injury, and/or damage to the grinder, tie back loose hair and clothing, and roll up long sleeves before operating the grinder. Remove ties, rings, watches, bracelets, or other jewelry before operating the grinder.
19. Be sure the grinder is on a stable work surface. Be sure all the grinder feet are stable.
20. Do not let cord hang over edge of table or counter or touch hot surfaces, including stove
21. Do not run grinder without meat in the head. Severe damage to the head and auger may occur.
22. Wear eye protection. Wear safety glasses. Everyday eyeglasses are not safety glasses. Safety glasses conform to ANSI Z87.1 requirements. NOTE: Approved safety glasses have Z87 printed or stamped on them.
23. Do not use appliance for other than intended purpose.
24. Do not attempt to operate the grinder if the grinder itself is cold. The grinder temperature should be at least 45°F (7°C) before beginning.
25. Do not operate the appliance for more than 15 minutes at one time. After 15 minutes of continuous use, allow a few minutes for the appliance to rest before next use.
26. Grinding blade is sharp. Handle carefully.
27. Do not place on or near a hot gas or electric burner, or in a heated oven.
28. **CAUTION!** In order to avoid a hazard due to inadvertent resetting of the thermal cut-out, this appliance must not be supplied through an external switching device, such as a timer, or connected to a circuit that is regularly switched on and off by the utility.

SAVE THESE INSTRUCTIONS

OTHER CONSUMER SAFETY INFORMATION

This appliance is intended for household use only.

⚠ WARNING Entanglement Hazard: To avoid serious injury do not reach into grinder inlet. Always use stomper. Do not operate without tray in place.

⚠ WARNING Electrical Shock Hazard. This appliance is provided with a polarized plug (one wide blade) to reduce the risk of electric shock. The plug fits only one way into a polarized outlet. Do not defeat the safety purpose of the plug by modifying the plug in any way or by using an adapter. If the plug does not fit fully into the outlet, reverse the plug. If it still does not fit, have an electrician replace the outlet.

The length of the cord used on this appliance was selected to reduce the hazards of becoming tangled in or tripping over a longer cord. If a longer cord is necessary, an approved extension cord may be used. The electrical rating of the extension cord must be equal to or greater than the rating of the appliance. Care must be taken to arrange the extension cord so that it will not drape over the countertop or tabletop where it can be pulled on by children or accidentally tripped over.

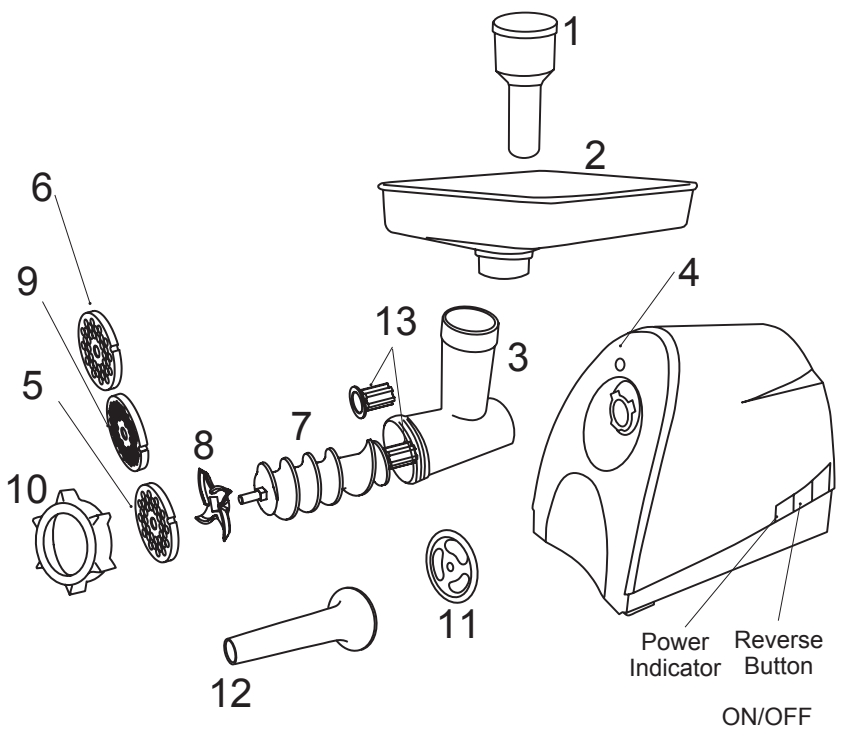
COMPONENT LIST

DIAGRAM NUMBER	PART DESCRIPTION
1	STOMPER
2	ALUMINUM TRAY
3	GRINDER HEAD
4	HEAD RELEASE BUTTON
5	3MM STAINLESS STEEL FINE GRINDING PLATE
6	4.5MM STAINLESS STEEL MEDIUM GRINDING PLATE
7	AUGER
8	STAINLESS STEEL GRINDER KNIFE
9	8MM STAINLESS STEEL COARSE GRINDING PLATE
10	FRONT RING NUT
11	STUFFING SPACER
12	STUFFING FUNNEL
13	AUGER DRIVER (2, 1 PRE-INSTALLED)
NOT SHOWN	POWER CORD

If any components of this unit are broken, the unit does not operate properly or you need a replacement instruction manual, visit us on the web at

WestonSupply.com

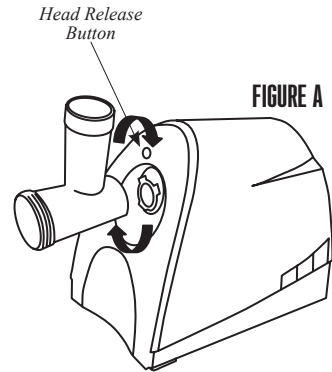
Or call Weston Brands, LLC Toll Free at 1-800-814-4895
Monday thru Friday 8:00am-5:00pm ET. Outside the U.S. call 001-216-901-6801



CLEANING

⚠ WARNING Electrical Shock Hazard. Disconnect power before cleaning, disassembling, or assembling. Do not immerse cord, plug, or motor in water or other liquid.

1. Unscrew the Ring Nut and remove all parts from the Grinder Head.
2. To remove the Grinder Head, press the Head Release Button and turn the Grinder Head clockwise (**FIGURE A**).
3. Wash all parts that come in contact with food in hot soapy water. Rinse with clear water. Dry immediately. The Grinder parts are not dishwasher safe. Do NOT use bleach.
4. Fully lubricate the Grinder Head, Grinding Plates and the Knife with food grade silicone spray before and after each use.
5. Clean the Main Body with a soft damp towel. Dry immediately. DO NOT immerse the Main Body of the Grinder in water or other liquids.



GRINDER ASSEMBLY

⚠ WARNING Entanglement Hazard. Disconnect power before cleaning, disassembling, or assembling.

1. Remove the Ring Nut, Grinding Plate, Knife and Auger from the Grinder Head before installing the Grinder Head to the Main Body.

2. Align the notches on the Grinder Head with the tabs on the Main Body.

3. Press the Grinder Head against the Motor and rotate it counterclockwise until it locks into place (**FIGURE B**).

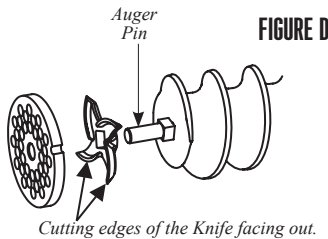
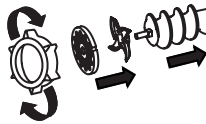
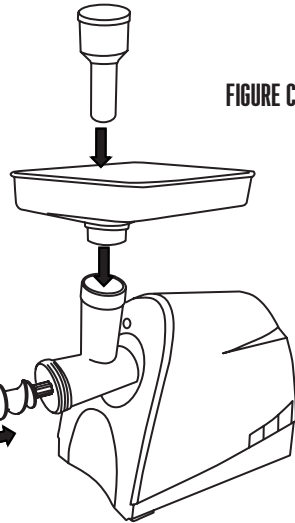
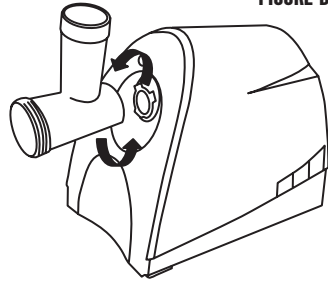
4. Insert the Auger into the Grinder Head, Auger Driver end first (**FIGURE C**).

5. Place the Grinder Knife onto the square portion of the Auger Pin. The cutting edges (flat side) of the Knife should be facing out (**FIGURE D**).

6. Place the Grinding Plate of your choice onto the Auger Pin. Make sure the notch of the Grinder Plate fits into the positioning pin of the Grinder Head (**FIGURE C**).

7. Turn the Ring Nut clockwise onto the threaded end of the Grinder Head until it touches the Grinder Plate and is snug. DO NOT over-tighten the Ring Nut.

8. Place the Tray on the upright part of the Grinder Head. NEVER use the Grinder without the Tray installed!



GRINDING INSTRUCTIONS

⚠ WARNING Entanglement Hazard: To avoid serious injury do not reach into grinder inlet. Always use stomper. Do not operate without tray in place.

1. Follow the “*Grinder Assembly Instructions*” to fully assemble the Grinder including the Tray.

NOTE: It is best to grind the meat using the coarse, 8 mm Grinding Plate first. If a finer grind of meat is desired, run the coarse ground meat through the Grinder a second time using the fine, 4.5 mm or 3 mm Grinding Plate.

2. Trim the meat of all cords, tendons, bones, shot, etc.

3. For best results, be sure that all meat has been chilled to between 32-34°F (0-1°C) before grinding. **DO NOT ALLOW MEAT TO SIT OUT AT ROOM TEMPERATURE LONGER THAN ABSOLUTELY NEEDED.** Closely follow the “Food Safety” instructions as outlined by the USDA.

4. Cut meat into sizes small enough to fit into the Feed Chute. Approximately 1” (2.5 cm) cubes.

5. Place cubed meat to be ground into the Tray. Do not overfill the Tray, place just enough meat to leave the Feed Chute area open.

6. Place a dish or bowl to collect the ground meat at the end of the Grinder Head (**FIGURE E**).

7. Make sure the Grinder is in the “OFF” position. Attach the Grinder to the power supply.

8. Press “ON” the Grinder Button. Carefully start feeding cubes of meat into the Feed Chute. **ONLY USE THE STOMPER TO PUSH MEAT INTO THE HEAD, DO NOT USE YOUR FINGERS OR ANY OTHER OBJECT.**

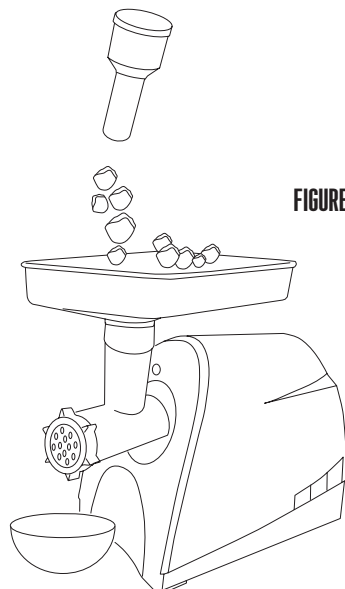


FIGURE E

NOTE:
To prevent overheating, do not operate the **Grinder** for more than 15 minutes at a time.
Allow the **Grinder** to cool periodically.

STUFFER ASSEMBLY

⚠ WARNING Entanglement Hazard. Disconnect power before cleaning, disassembling, or assembling.

1. Remove the Ring Nut, Grinding Plate, Knife and Auger from the Grinder Head before installing the Grinder Head to the Main Body.

2. Align the notches in the Grinder Head with the tabs on the Main Body.

3. Press the Grinder Head against the Motor and rotate it counterclockwise until it locks into place (**FIGURE F**).

4. Insert the Auger into the Grinder Head, Auger Driver end first (**FIGURE G**).

5. Place the Stuffing Spacer into the Grinder Head. Make sure the notch of the Stuffing Spacer fits into the positioning pin of the Grinder Head.

6. Insert the Stuffing Funnel through the Ring Nut and then onto the Grinder Head.

7. Turn the Ring Nut clockwise onto the threaded end of the Grinder Head until it touches the Stuffing Funnel. DO NOT over-tighten the Ring Nut.

8. Place the Tray on the upright part of the Grinder Head. NEVER use the Grinder without the Tray installed!

FIGURE F

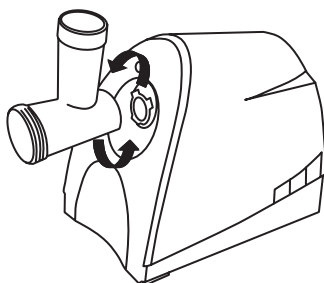
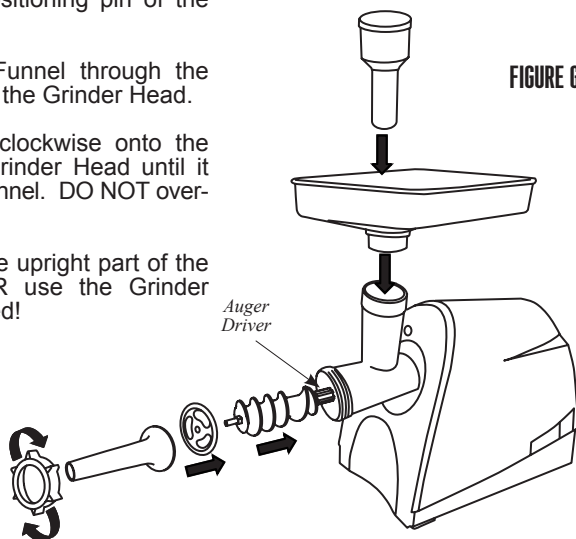


FIGURE G



STUFFING INSTRUCTIONS

⚠ WARNING **Entanglement Hazard:** To avoid serious injury do not reach into grinder inlet. Always use stomper. Do not operate without tray in place.

1. After grinding the meat following the “Grinding Instructions”, mix the ground meat with the sausage seasonings.
2. Follow the “Stuffer Assembly Instructions” to fully assemble the Grinder as a Stuffer including the Tray.

NOTE: While one person can stuff sausage with this Grinder, it is recommended that two people perform this operation.

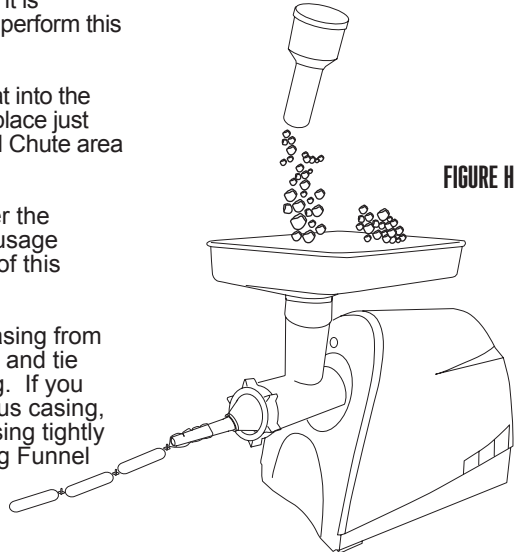
3. Place seasoned ground meat into the Tray. Do not overfill the Tray, place just enough meat to leave the Feed Chute area open.

4. Slide a sausage casing over the Stuffing Funnel. See the “Sausage Information / Casing” section of this manual for more information.

5. Slide 4”-6” (10-15 cm) of casing from the end of the Stuffing Funnel and tie a knot in the end of the casing. If you are using large diameter fibrous casing, hold the closed end of the casing tightly against the end of the Stuffing Funnel (**FIGURE H**).

6. Make sure the Grinder is in the “OFF” position. Attach the Grinder to the power supply.

7. Press “ON” the Grinder Button. Carefully start feeding ground meat into the Feed Chute. **ONLY USE THE STOMPER TO PUSH MEAT INTO THE HEAD, DO NOT USE YOUR FINGERS OR ANY OTHER OBJECT.**



NOTE:
To prevent overheating, do not operate the **Grinder** for more than 15 minutes at a time. Allow the **Grinder** to cool periodically.

8. Hold the casing in place with one hand while feeding the sausage mixture through the Grinder. As the meat fills the casing, gently lay it on a clean, dry surface.

NOTE: When using natural casings, use a wet surface.

9. Do not fill the last 3"-4" (8-10 cm) of casing. After the entire length of casing has been stuffed, twist the open end to close, then tie off the ends of the casing tightly to close. Twist into links.

10. Whenever stuffing sausage, fill the casing slowly to avoid air pockets. If air pockets do appear in the sausage use a pin to prick the bubbles. The small holes will seal naturally.

USING THE REVERSE FUNCTION

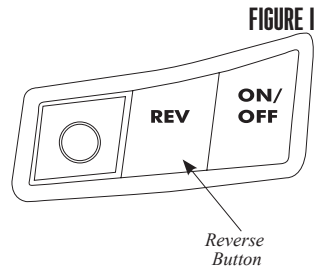
The reverse function only should be used for brief periods of time to help clear a jam.

1. Allow the Grinder Motor to come to a COMPLETE STOP before engaging in reverse "REV".

2. Push the Rev Button (**FIGURE I**).

NOTE: NEVER operate the Grinder in reverse for more than 5 seconds.

3. If the Grinder remains jammed after using the reverse function, turn the Grinder "OFF", disconnect the Grinder from the power source. Disassemble the Grinder Head and clean it according to the "Cleaning Instructions." Re-assemble the Grinder and follow the "Grinding Instructions/ Stuffing Instructions."



THERMAL OVERLOAD PROTECTION

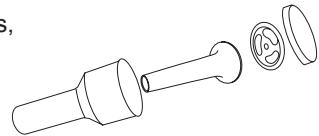
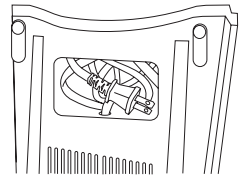
Thermal overload protection on the motor can only be used once and cannot be reset after the unit becomes cool.

The Heavy Duty Electric Meat Grinder will automatically shut down if it overheats. If this occurs:

1. Turn the Grinder "OFF" and unplug the Power Cord.
2. Remove the Grinder Head from the Main Body.
3. Wait until the Grinder cools or about 1 hour. Keep meat refrigerated while the Grinder cools. Disassemble and remove meat from the Head if necessary.
4. Reassemble the Grinder and resume normal operation.
5. To prevent overheating, do not operate the Grinder for more than 15 minutes at a time. Allow the Grinder to cool periodically.

HELPFUL HINTS

- When storing the Grinder, fold and place the Power Cord in the compartment on bottom. Insert the plug end of the Power Cord last.
- The provided Stomper also serves as a neat and compact way to store the Stuffing Funnel and the Stuffing Spacer.
- Any time that you change the Grinding Plates, the Head should be removed COMPLETELY to prevent pushing meat back into the Motor Drive Shaft Housing.
- To prevent overheating, do not operate the Grinder for more than 15 minutes at a time. Allow the Grinder to cool periodically.
- DO NOT over-tighten the Front Ring Nut. It should be firmly tight.
- Make sure the Grinding Knife blades lay flat on the Grinder Plate.
- DO NOT operate the Grinder without meat in the Head. Running the Grinder while dry could damage the Head and Auger.
- Always lubricate the Head, Grinding Plate and Grinding Knife with a food-grade silicone spray after cleaning.
- DO NOT grind bones or other hard objects.



FOOD SAFETY

There are basic rules to follow when handling food. They are **COOK, SEPARATE, CLEAN,** and **CHILL.**

COOK

It's crucial to cook food to a safe internal temperature to destroy bacteria that is present. The safety of hamburgers and other foods made with ground meat has been receiving a lot of attention lately, and with good reason. When meat is ground, the bacteria present on the surface is mixed throughout the ground mixture. If this ground meat is not cooked to at least 160°F to 165°F (71°C to 74°C), bacteria will not be destroyed and there's a good chance you will get sick.

Solid pieces of meat like steaks and chops don't have dangerous bacteria like E. coli on the inside, so they can be served more rare. Still, any beef cut should be cooked to an internal temperature of at least 145°F (63°C) (medium rare). The safe temperature for poultry is 165°F (75°C) and solid cuts of pork should be cooked to 145°F (63°C).

SEPARATE

Foods that will be eaten uncooked and foods that will be cooked before eating **MUST ALWAYS** be separated. Cross-contamination occurs when raw meats or eggs come in contact with foods that will be eaten uncooked. This is a major source of food poisoning. Always double-wrap raw meats and place them on the lowest shelf in the refrigerator so there is no way juices can drip onto fresh produce. Then use the raw meats within 1-2 days of purchase, or freeze for longer storage. Defrost frozen meats in the refrigerator, not on the counter.

When grilling or cooking raw meats or fish, make sure to place the cooked meat on a clean platter. Don't use the same platter you used to carry the food out to the grill. Wash the utensils used in grilling after the food is turned for the last time on the grill, as well as spatulas and spoons used for stir-frying or turning meat as it cooks.

Make sure to wash your hands after handling raw meats or raw eggs. Washing hands with soap and water, or using a pre-moistened antibacterial towelette is absolutely necessary after you have touched raw meat or raw eggs. Not washing hands and surfaces while cooking is a major cause of cross-contamination.

CLEAN

Wash your hands and work surfaces frequently when you are cooking. Washing with soap and warm water for at least 15 seconds, then dry with a paper towel.

CHILL

Chilling food is very important. The danger zone where bacteria multiply is between 40°F and 140°F (4°C and 60°C). Your refrigerator should be set to 40°F (4°C) or below; your freezer should be 0°F (-18°C) or below. Simple rule: serve hot foods hot, cold foods cold. Use chafing dishes or hot plates to keep food hot while serving. Use ice water baths to keep cold foods cold. Never let any food sit at room temperature for more than 2 hours - 1 hour if the ambient temperature is 90°F (32°C) or above. When packing for a picnic, make sure the foods are already chilled when they go into the insulated hamper. The hamper won't chill food - it just keeps food cold when properly packed with ice. Hot cooked foods should be placed in shallow containers and immediately refrigerated so they cool rapidly. Make sure to cover foods after they are cool.

NOTE: Special considerations must be made when using venison or other wild game, since it can become heavily contaminated during field dressing. Venison is often held at temperatures that could potentially allow bacteria to grow, such as when it is being transported. Refer to the USDA Meat and Poultry Department for further questions or information on meat and food safety.

SAUSAGE INFORMATION

MEAT SELECTION FOR SAUSAGE MAKING

Sausage making has evolved over many years and generations, and as a result there are countless types of sausage you can make using the basic ingredients of meat, fat and a few carefully blended spices. Following are a few simple guidelines that will help you make the best tasting sausage possible.

Any type of meat can be used for making sausage: pork, beef, bison, moose and caribou, even antelope make great sausage. It is important when preparing venison or other red game meats to trim all the fat from the meat, as red game tallow will turn rancid in as few as five days. Replace the fat with either pork or beef fat, depending on the type of product you are making, at a ratio of 1 pound (0.5 kg) of fat for every 4 pounds (1.8 kg) of game meat.

The fat content of your sausage will affect the taste, texture, cooking characteristics and shelf life of your product. Most commercially made sausage has a fat content of about 20%. Using less than 12% fat will result in a very dry tasting sausage, while using more than 20% may result in a sticky flavorless sausage that will be difficult to cook.

CURING

It is important to properly cure meats to preserve meat and poultry, and to destroy undesirable microorganisms on the meat surfaces that cause spoilage and foodborne illnesses. There are many steps that help in this process, including smoking, cooking, drying, chilling and the addition of cure ingredients. The oldest means of accomplishing this is by introducing salt into the meat. The resistance of bacteria to salt varies widely among different types of bacteria. The growth of some bacteria is inhibited by salt concentrations as low as 3%, e.g., Salmonella, whereas other types are able to survive in much higher salt concentrations, e.g., Staphylococcus. Fortunately, the growth of many undesirable organisms normally found in cured meat and poultry products is inhibited at low concentrations of salt.

Modern curing is based on Nitrates and is very scientific. Purchase Weston Pink Curing Salt (02-0000-W) and follow the included instructions to ensure that you are properly curing your homemade sausage.

CASING

Weston offers a complete variety of casings. The right choice depends on personal preference as well as the type of sausage you wish to make. For most sausages, your choices are natural or collagen. Don't let the names fool you; collagen casings are not a synthetic. They are made from beef skin and other tissues. Collagen casings are uniform in size and texture and require almost no preparation. "Natural" casings are the intestines of lamb, sheep, hogs or beef. They are less uniform in size and require preparation. There are also fibrous non-edible casings that are most commonly used for summer sausage and ring bologna.

TYPES OF SAUSAGE

Most sausages fall into one of four categories: Fresh, Smoked, Cooked or Dried. All sausages, except dried, require refrigerated storage. There is also a sub-category of uncooked smoked sausages.

Among the fresh and uncooked smoked sausages, you will find such flavors as kielbasa or Polish sausage, Italian sausage, breakfast sausage and many others. Both fresh and uncooked smoked sausages require cooking before eating and also require refrigerated storage.

Smoked and cooked sausages include salami, bologna, the ever-popular hot dogs and many others. Proper smoking requires a smokehouse or smoker. Weston offers Outdoor Propane Smokers in a variety of sizes (41-0701-W, 41-0301-W, or 41-0401-W). Most smoked sausages are warmed before serving. Many people think that a smoked sausage will last much longer without spoilage, but this is not true. Smoked sausages should be treated the same as fresh sausage in terms of storage.

Dried sausages require the longest processing time, as they are air dried over a long period of time. Dry cured sausages include salami, chorizo, pepperoni, among others. The conditions under which the meat is dried are very exacting; temperature, time and humidity must all be carefully monitored for a safe and delicious product.

STORAGE

For the best flavors, we recommend vacuum sealing your fresh sausages, then storing them in the refrigerator (short term) or freezer (long term). Weston manufactures a variety of vacuum sealers. Ask the retailer from which you purchased this unit for their selection. Store dry cured products in paper or other breathable wrapping, unrefrigerated.



ONE-YEAR LIMITED WESTON WARRANTY

This warranty applies to products purchased and used in the U.S. and Canada, which have been properly registered within 30 days of the date of original purchase. This is the only express warranty for this product and is in lieu of any other warranty or condition. This product is warranted to be free from defects in material and workmanship for a period of one (1) year from the date of original purchase. During this period, your exclusive remedy is repair or replacement of this product or any component found to be defective, at our option.

To register your product: complete the online form at
www.WestonSupply.com/Warranty.

This warranty does not cover unregistered products, unauthorized repairs or service to products, products sold "as-is" by retailers, glass, filters, wear from normal use, use not in conformity with the printed directions, or damage to the product resulting from accident, alteration, abuse, or misuse. This warranty extends only to the original consumer purchaser or gift recipient and is not transferrable. Keep the original sales receipt, as proof of purchase is required to make a warranty claim. This warranty is void if the product is subjected to any voltage and waveform other than as specified on the rating label (e.g., 120V ~ 60 Hz).

We exclude all claims for special, incidental and consequential damages caused by breach of express or implied warranty. All liability is limited to the amount of the purchase price. Every implied warranty, including any statutory warranty or condition of merchantability or fitness for a particular purpose, is disclaimed except to the extent prohibited by law, in which case such warranty or condition is limited to the duration of this written warranty. This warranty gives you specific legal rights. You may have other legal rights that vary depending on where you live. Some states or provinces do not allow limitations on implied warranties or special, incidental, or consequential damages, so the foregoing limitations may not apply to you.

Before returning the product for any repair or service: it must be clean and free from any food particles or other debris; otherwise, we will return it or impose a \$50 cleaning surcharge, at our option.

To make a warranty claim: go to www.WestonSupply.com/Contact; or call 1.800.814.4895 in the U.S. and 001.216.901.6801 outside the U.S., Monday – Friday, 8 am – 5 pm Eastern. You are responsible for all costs associated with shipping us the product freight prepaid. If the product qualifies for a warranty repair or replacement, we will bear the cost of returning it to you. We are not responsible for shipping damage.

For non-warranty work: call 1.800.814.4895 in the U.S. and 001.216.901.6801 outside the U.S., Monday – Friday, 8 am – 5 pm Eastern, to obtain a Return Merchandise Authorization Number (RMA Number). We will refuse all returns without an RMA Number. We charge US\$35/hour for all diagnostic, service, repair and processing work. We will not start any service or repair work without prior authorization. You are responsible for all costs associated with shipping us the product freight prepaid and our returning it to you.



WESTON
RECONNECT WITH REAL FOOD

MOLINO DE CARNE

#8 ELÉCTRICO

Y RELLENADOR DE SALCHICHAS

DEBIDO A CONSTANTES MEJORAS EN LA FÁBRICA, EL PRODUCTO QUE SE MUESTRA PUEDE SER LIGERAMENTE DIFERENTE DEL PRODUCTO EN ESTA CAJA.

SALVAGUARDIAS IMPORTANTES

Cuando utilice artefactos eléctricos, siempre deben seguirse precauciones de seguridad básicas a fin de reducir el riesgo de incendio, descarga eléctrica, y/o lesiones a personas, incluyendo las siguientes:

1. Lea todas las instrucciones.
2. Este aparato no se destina para utilizarse por personas cuyas capacidades físicas, sensoriales o mentales sean diferentes o estén reducidas, o carezcan de experiencia o conocimiento, a menos que dichas personas reciban una supervisión o capacitación para el funcionamiento del aparato por una persona responsable de su seguridad.
3. Este electrodoméstico no debe ser utilizado por niños. Mantenga el electrodoméstico y su cable fuera del alcance de los niños.
4. Se requiere de una estrecha supervisión cuando el aparato se use cerca de niños. Los niños deben supervisarse para asegurar que ellos no empleen los aparatos como juguete.
5. Verifique que el voltaje de su instalación corresponda con el del producto.
6. Para protegerse contra un riesgo de descarga eléctrica, no ponga el cable, enchufe, base o motor en agua o cualquier otro líquido.
7. APAGUE el electrodoméstico (●) y, después, desenchúfelo del tomacorriente cuando no esté en uso, antes de armar o desarmar piezas y antes de limpiarlo. Para desenchufarlo, tome el enchufe y retírelo del tomacorriente. Nunca tire del cable eléctrico.
8. Conecte el molino en un tomacorriente estándar de 120 volts y 60 Hz. Revise si el voltaje indicado en el aparato corresponde al voltaje de su localidad antes de conectarlo.
9. No opere ningún aparato con cables o enchufe dañados o después de que el aparato funcione mal o se caiga o dañe de cualquier manera. El reemplazo del cable de suministro y las reparaciones deben ser efectuadas por el fabricante, su agente de servicio, o personas igualmente calificadas para poder evitar un peligro. Llame al número de servicio al cliente proporcionado para información sobre examinación, reparación o ajuste.
10. El uso de aditamentos no recomendados o vendidos por el fabricante del aparato pueden causar un riesgo de lesiones personales.
11. NO la use en exteriores.
12. No deje que el cable cuelgue del borde de la mesa o cubierta o toque superficies calientes, incluyendo el horno.
13. Verifique que el artefacto esté OFF (●/apagado) antes de enchufar el cable en el tomacorriente. Para desconectar, gire el control a OFF (●/apagado), luego quite el enchufe del tomacorriente. Para desconectarlo, agarre el enchufe y retire del tomacorrientes. Nunca tire el cable de alimentación.

SALVAGUARDIAS IMPORTANTES

14. NO use el molino sin la bandeja asegurada en su lugar.
15. Nunca coloque alimentos con la mano. Siempre utilice el pisón de alimentos provisto. Mantenga los dedos alejados del tornillo sin fin y de las cuchillas de corte en todo momento. Nunca meta los dedos dentro del molino. Hacerlo puede provocar una lesión grave.
16. Nunca utilice los dedos para raspar alimentos de la placa de molido mientras el molino está en funcionamiento. Pueden producirse lesiones graves.
17. Nunca tenga funcionando el molino sin vigilancia. Sea prudente, desconecte el molino de la fuente de corriente antes de dejar el área de trabajo.
18. Evite el contacto con las piezas móviles. Nunca introduzca alimentos con la mano. Siempre use el empujador de alimentos.
19. Para reducir el riesgo de lesiones personales graves, y/o daños al molino, recójase el pelo suelto y la ropa y enróllese las mangas antes de manejar el molino. Quítese la corbata, anillos, relojes, brazaletes y demás joyería antes de manejar el molino.
20. Revise que el molino esté en una superficie de trabajo estable. Revise que estén estables las patas del molino.
21. No deje que el cable cuelgue del borde de la mesa o cubierta, o toque superficies calientes, incluyendo la estufa.
22. NO opere el molino sin carne en el cabezal. Pueden ocurrir daños severos en el cabezal y en el tornillo sin fin.
23. Use protección en los ojos. Utilice gafas de seguridad. Los anteojos ópticos no son protección de seguridad. Las gafas de seguridad cumplen con los requerimientos de la norma ANSI Z87.1. NOTA: las gafas de seguridad aprobadas tienen impresa o estampada la clave Z87.
24. No use el aparato eléctrico para ningún otro fin que no sea el indicado.
25. NO intente operar el molino si el molino está frío. La temperatura del molino debe ser de al menos 45°F (7°C) antes de comenzar.
26. No haga funcionar el electrodoméstico durante más de 15 minutos por vez. Después de 15 minutos de uso continuo, deje que el electrodoméstico descanse durante unos minutos antes del siguiente uso.
27. La cuchilla del molino es filosa. Manéjela con cuidado.
28. No lo coloque sobre o cerca de un quemador caliente eléctrica o a gas, o dentro de un horno caliente.
29. **¡PRECAUCIÓN!** A fin de evitar un riesgo debido a la reconfiguración inadvertida de la protección térmica, este artefacto no debe recibir suministro mediante un dispositivo de derivación externo, como un temporizador, o conectarse a un circuito que la empresa de servicio regularmente activa y desactiva.

GUARDE ESTAS INSTRUCCIONES

OTRA INFORMACIÓN DE SEGURIDAD PARA EL CLIENTE

Este electrodoméstico está diseñado solo para uso doméstico.

⚠ ADVERTENCIA

Peligro de Enredo: Para evitar una lesión grave, no introduzca la mano en la boca de la picadora. Siempre use un prensador. No la haga funcionar sin haber colocado antes la bandeja.

⚠ ADVERTENCIA

Peligro de Descarga Eléctrica. Este aparato está provisto de un enchufe polarizado (una cuchilla ancha) para reducir el riesgo de descarga eléctrica. El enchufe se adapta solo de una manera a una toma polarizada. No anule el propósito de seguridad del enchufe modificando el enchufe de ninguna manera o usando un adaptador. Si el enchufe no encaja completamente en la toma de corriente, invierta el enchufe. Si todavía no se ajusta, haga que un electricista reemplace la toma de corriente.

La longitud del cable utilizado en este electrodoméstico se seleccionó para reducir los riesgos de enredarse o tropezarse con un cable más largo. Si es necesario un cable más largo, se puede usar un cable de extensión aprobado. La clasificación eléctrica del cable de extensión debe ser igual o mayor que la clasificación del dispositivo. Se debe tener cuidado para colocar el cable de extensión de modo que no cuelgue sobre el mostrador o sobre la mesa donde los niños puedan tirar de él o tropezarse accidentalmente.



LISTA DE COMPONENTES

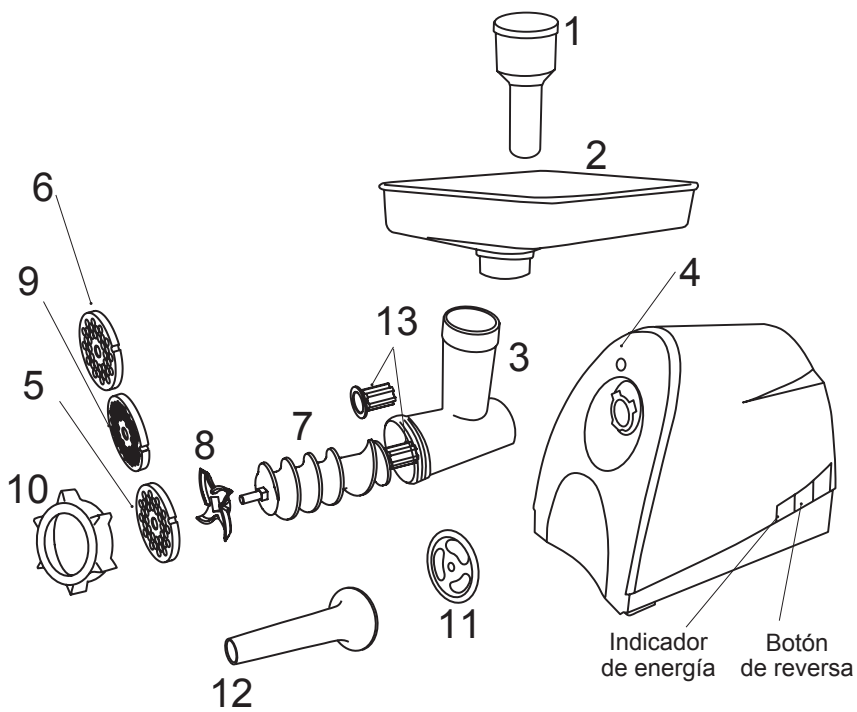
NÚMERO DE DIAGRAMA	DESCRIPCIÓN DE LA PIEZA
1	PRENSADOR
2	BANDEJA DE ALUMINIO
3	CABEZAL DE LA PICADORA
4	BOTÓN PARA SOLTAR EL CABEZAL
5	PLACA PICADORA DE ACERO INOXIDABLE DE 3 MM PARA PICADO FINO
6	PLACA PICADORA DE ACERO INOXIDABLE DE 4.5 MM PARA PICADO MEDIANO
7	TORNILLO SINFIN
8	CUCHILLA DE ACERO INOXIDABLE PARA LA PICADORA
9	PLACA PICADORA DE ACERO INOXIDABLE DE 8 MM PARA PICADO GRUESO
10	TUERCA DE SEGURIDAD DELANTERA
11	ESPACIADOR DE EMBUTIDO
12	EMBUDO DE LLENADO
13	IMPULSOR DEL TORNILLO SINFIN (2, 1 PRE INSTALADO)
NO MOSTRADO	CABLE DE ALIMENTACIÓN

Si cualquier componente de esta unidad está roto, si no funciona debidamente, o si necesita un instructivo de repuesto, visítenos en la Web en

WestonSupply.com

O llame a Weston Brands, LLC larga distancia sin costo **1-800-814-4895**

De lunes a viernes, de 8:00 am a 5:00 pm tiempo del ET. Fuera de Estados Unidos llame al 001-216-901-6801



ON/OFF
(ENCENDIDO/
APAGADO)

LIMPIEZA

⚠ ADVERTENCIA Peligro de Descarga Eléctrica: Desconecte la energía antes de limpiar, desmontar o montar la unidad. No sumerja el cable, el enchufe o el motor en agua o en otro líquido.

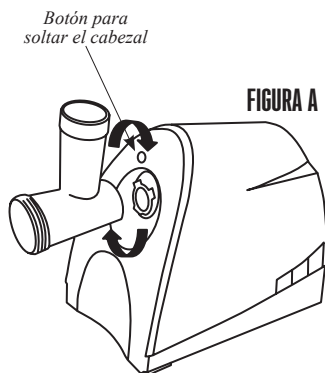
1. Desatornille la tuerca de seguridad y retire todas las partes del cabezal de la picadora.

2. Para quitar el cabezal de la picadora, presione el botón de liberación del cabezal y gire el cabezal de la picadora en el sentido de las manecillas del reloj (**FIGURA A**).

3. Lave todas las piezas que estuvieron en contacto con los alimentos con agua caliente jabonosa. Enjuague con agua limpia. Seque inmediatamente. Las piezas de la picadora no son aptas para el lavavajillas. NO use cloro.

4. Antes y después de usar la picadora, lubrique totalmente el cabezal de la picadora, las placas picadoras y la cuchilla con un aerosol de silicona apta para alimentos.

5. Limpie todo el cuerpo principal con una toalla suave y húmeda. Seque inmediatamente. NO sumerja el cuerpo principal de la picadora en agua u otro líquido.



ENSAMBLADO DE LA PICADORA

⚠ ADVERTENCIA Peligro de Enredo: Desconecte la energía antes de limpiar, desmontar o montar la unidad.

1. Quite la tuerca de seguridad, la placa picadora, la cuchilla y el tornillo sinfín del cabezal de la picadora antes de instalar el cabezal de la picadora en el cuerpo principal.

2. Alinee las muescas de la placa picadora con las pestañas en el cuerpo principal.

3. Presione el cabezal de la picadora contra el motor y gírelo en sentido contrario a las manecillas del reloj hasta que se asegure en su lugar (**FIGURA B**).

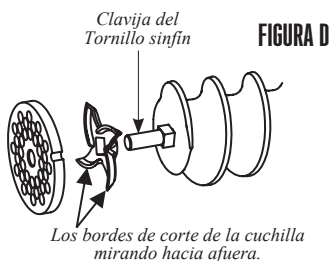
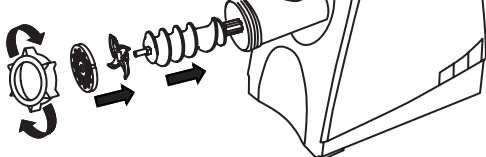
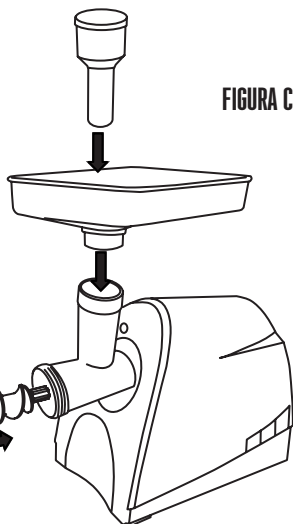
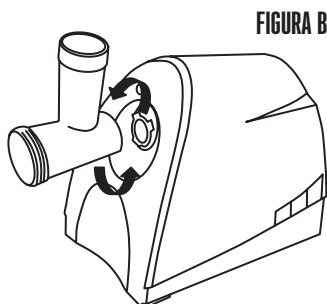
4. Inserte el tornillo sinfín en el cabezal de la picadora, con el extremo del impulsor del tornillo sinfín primero (**FIGURA C**).

5. Coloque la cuchilla picadora en la parte cuadrada del pasador del tornillo sinfín. Los bordes de corte (lado plano) de la cuchilla deben mirar hacia afuera (**FIGURA D**).

6. Coloque la placa picadora de su elección en el pasador del tornillo sinfín. Asegúrese que la muesca de la placa picadora encaja en la clavija de posición del cabezal de la picadora (**FIGURA C**).

7. Gire la tuerca de seguridad en el sentido de las manecillas del reloj en el extremo del cabezal de la picadora hasta que toque la placa picadora y esté ajustado. **NO** ajuste de más la tuerca de seguridad.

8. Coloque la bandeja en la parte vertical del cabezal de la picadora. ¡NUNCA use la picadora sin la bandeja instalada!



INSTRUCCIONES PARA PICAR

⚠️ ADVERTENCIA

Peligro de Enredo: Para evitar una lesión grave, no introduzca la mano en la boca de la picadora. Siempre use un prensador. No la haga funcionar sin haber colocado antes la bandeja.

1. Siga las "Grinder Assembly Instructions" (instrucciones de ensamblado de la picadora) para ensamblar totalmente la picadora incluyendo la bandeja.

NOTA: Es mejor picar la carne usando primero la placa picadora de 8 mm. Si usted desea un picado más fino de la carne, introduzca carne picada gruesa a través de la picadora por segunda vez usando la placa picadora de 4.5 mm o de 3 mm.

2. Recorte de la carne todos los cordeles, tendones, huesos, balines, etc.

3. Para obtener los mejores resultados asegúrese de que toda la carne se haya enfriado a una temperatura entre 32 y 34 °F (0 a 1 °C) antes de picarla. **NO PERMITA QUE LA CARNE QUEDE A TEMPERATURA AMBIENTE DURANTE MÁS TIEMPO DE LO ABSOLUTAMENTE NECESARIO.** Siga cuidadosamente las instrucciones de "Food Safety" (seguridad de los alimentos) según lo indicado por la USDA.

4. Corte la carne en trozos lo suficientemente pequeños para que quepan en el conducto de entrada. Cubos de aproximadamente 1 pulgada (2.5 cm).

5. Coloque los cubos de carne a picar en la bandeja. No llene de más la bandeja, coloque justo lo necesario de carne para dejar abierta el área del conducto de entrada.

6. Coloque un plato o tazón para recolectar la carne picada en el extremo del cabezal de la picadora (**FIGURA E**).

7. Asegúrese que la picadora este en la posición de "OFF" (apagado). Conecte la picadora al suministro de energía.

8. Presione el botón "ON" (encender) de la picadora. Cuidadosamente comience a introducir los cubos de carne en el conducto de entrada. **USE ÚNICAMENTE EL PRENSADOR PARA EMPUJAR LA CARNE DENTRO DEL CABEZAL, NO USE SUS DEDOS O CUALQUIER OTRO OBJETO.**

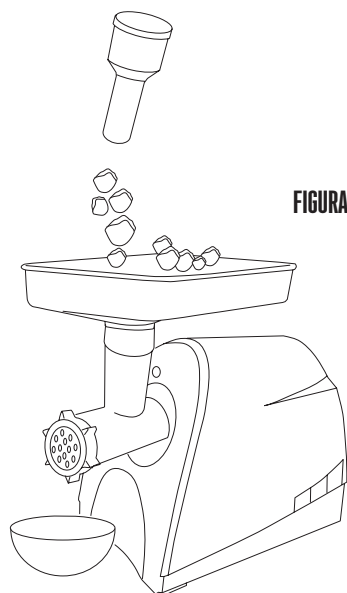


FIGURA E

NOTA:

Para prevenir el sobrecalentamiento, no opere la **picadora** por más de 15 minutos cada vez.

Permita que la **picadora** se enfríe periódicamente.

ENSAMBLADO DE LA EMBUTIDORA

⚠ ADVERTENCIA Peligro de Enredo: Desconecte la energía antes de limpiar, desmontar o montar la unidad.

1. Quite la tuerca de seguridad, placa picadora, cuchilla y el tornillo sinfín del cabezal de la picadora antes de instalar el cabezal de la picadora al cuerpo principal.

2. Alinee las muescas de la placa picadora con las pestañas en el cuerpo principal.

3. Presione el cabezal de la picadora contra el motor y gírelo en sentido contrario a las manecillas del reloj hasta que se asegure en su lugar (**FIGURA F**).

4. Inserte el tornillo sinfín en el cabezal de la picadora, el extremo del impulsor del tornillo sinfín primero (**FIGURA G**).

5. Coloque el espaciador de embutido dentro del cabezal de la picadora. Asegúrese que la muesca del espaciador de embutido encaja con la clavija de posición del cabezal de la picadora.

6. Introduzca el embudo de llenado a través de la tuerca de seguridad y luego en el cabezal de la picadora.

7. Gire la tuerca de seguridad en el sentido de las manecillas del reloj en el extremo del cabezal de la picadora hasta que toque el embudo de llenado. NO ajuste de más la tuerca de seguridad.

8. Coloque la bandeja en la parte vertical del cabezal de la picadora. ¡NUNCA use la picadora sin la bandeja instalada!

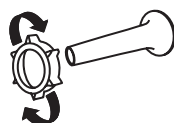


FIGURA F

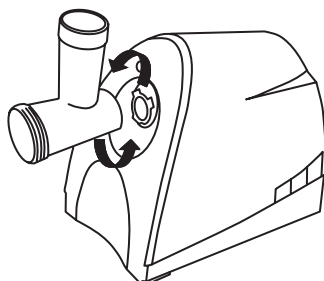
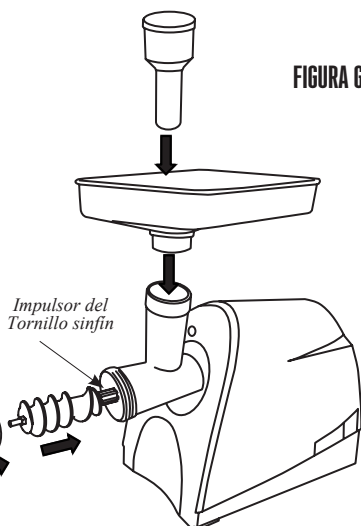


FIGURA G



INSTRUCCIONES PARA EMBUTIR

⚠ ADVERTENCIA

Peligro de Enredo: Para evitar una lesión grave, no introduzca la mano en la boca de la picadora. Siempre use un prensador. No la haga funcionar sin haber colocado antes la bandeja.

1. Después de picar la carne de acuerdo a las “Grinding Instructions” (instrucciones para picar), mezcle la carne picada con los sazonadores para salchicha.

2. Para ensamblar totalmente la picadora como un embutidor incluyendo la bandeja, siga las “Stuffer Assembly Instructions” (Instrucciones para ensamblar el embutidor).

NOTA: Aunque una persona puede rellenar salchichas con esta picadora, se recomienda que dos personas realicen esta operación.

3. Coloque la carne picada y sazonada en la bandeja. No llene de más la bandeja, coloque justo lo necesario de carne para dejar abierta el área del conducto de entrada.

4. Deslice un envoltorio de salchicha sobre el embudo de llenado. Para más información vea la sección de este manual “Sausage Information/Casing” (Información de salchicha/envoltorio).

5. Desplace el envoltorio de 4 a 6 pulgadas (10 a 15 cm) del extremo del embudo de llenado y amarre un nudo al final del envoltorio. Si usa un diámetro grande de envoltorio fibroso, sostenga fuertemente el extremo cerrado del envoltorio contra el extremo del embudo de llenado (**FIGURA H**).

6. Asegúrese que la picadora este en la posición de “OFF” (apagado). Conecte la picadora al suministro de energía.

7. Presione el botón “ON” (encender) de la picadora. Cuidadosamente comience a introducir la carne picada en el conducto de entrada. **USE ÚNICAMENTE EL PRENSADOR PARA EMPUJAR LA CARNE DENTRO DEL CABEZAL, NO USE SUS DEDOS O CUALQUIER OTRO OBJETO**

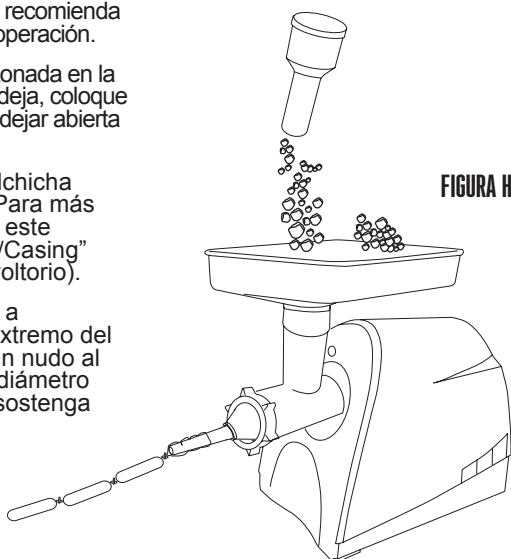


FIGURA H

NOTA:

Para prevenir el sobrecalentamiento, no opere la **picadora** por más de 15 minutos cada vez.

Permita que la **picadora** se enfríe periódicamente.

8. Sostenga la tripa en el lugar con una mano mientras alimenta la mezcla de la salchicha a través de la picadora. Al irse llenando el envoltorio de carne, colóquelo con cuidado en una superficie limpia y seca.

NOTA: Use una superficie mojada al utilizar envoltorios naturales.

9. No llene las últimas 3 a 4 pulgadas (8 a 10 cm) del envoltorio. Después de que se llene todo el envoltorio, tuerza el extremo abierto para cerrarlo, luego amarre los extremos del envoltorio para cerrarlos. Torcer para formar los eslabones.

10. Siempre que embuta salchichas llene el envoltorio lentamente para evitar burbujas de aire. Si aparecen burbujas de aire en la salchicha use una aguja para picar las burbujas. Los agujeros pequeños se sellarán naturalmente.

USANDO LA FUNCIÓN DE REVERSA

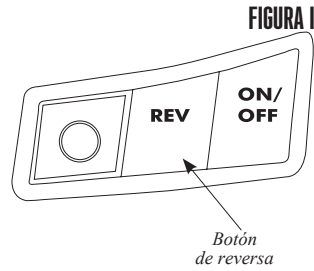
La función de reversa se debe usar únicamente por cortos periodos para ayudar a liberar un atasco.

1. Permita que el motor de la picadora llegue a un PARO TOTAL antes de operarlo en reversa "REV".

2. Presione el botón Rev (**FIGURA I**).

NOTA: NUNCA opere la picadora en reversa por más de 5 segundos.

3. Si la picadora sigue atascada después de usar la función de reversa, ponga la picadora en posición "OFF", desconecte la picadora de la fuente de alimentación. Desarme el cabezal de la picadora y límpiela de acuerdo a las "Cleaning Instructions" (instrucciones de limpieza). Vuelva a ensamblar la picadora y siga las "Grinding Instructions/Stuffing Instructions" (instrucciones para picar/instrucciones para embutir).



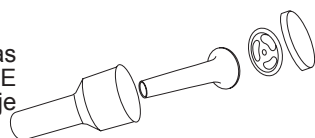
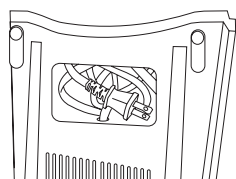
PROTECCIÓN DE SOBRECARGA TERMAL

La picadora eléctrica de carne de uso pesado se apagará automáticamente si se sobrecalienta. Si esto ocurre:

1. Apague la picadora y desconecte el cable de alimentación.
2. Quite el cabezal de la picadora del cuerpo principal.
3. Espere hasta que la picadora se enfríe o alrededor de 1 hora. Mientras la picadora se enfría mantenga la carne refrigerada. Desarme y retire la carne del cabezal si es necesario.
4. Vuelva a ensamblar la picadora y continúe operando normalmente.
5. Para prevenir el sobrecalentamiento no opere la picadora por más de 15 minutos a la vez. Permita que la picadora se enfríe periódicamente.

SUGERENCIAS:

- Al guardar la picadora, doble y coloque el cable de alimentación en el compartimiento de abajo. Introduzca el extremo del enchufe del cable de alimentación por último.
- El prensador provisto sirve también como una manera limpia y compacta de guardar el embudo de llenado y el espaciador de embutido.
- Siempre que quiera cambiar las placas picadoras, se debe quitar el cabezal **TOTALMENTE** para evitar que entre carne en la carcasa del eje de transmisión del motor.
- Para prevenir el sobrecalentamiento no opere la picadora por más de 15 minutos a la vez. Permita que la picadora se enfríe periódicamente.
- NO ajustar de más la tuerca de seguridad delantera. Debe quedar firmemente ajustada.
- Asegúrese que las hojas de la cuchilla picadora estén planas contra la placa picadora.
- NO opere la picadora sin carne en el cabezal. Operar la picadora mientras está seca puede dañar el cabezal y el tornillo sinfín.
- Siempre lubrique el cabezal, las placas picadoras y la cuchilla picadora con un aerosol de silicona apta para alimentos.
- NO pique huesos ni ningún otro objeto duro.



SEGURIDAD DE LOS ALIMENTOS

Hay que seguir ciertas reglas básicas al manejar alimentos. Las reglas son **COCINAR**, **SEPARAR**, **LIMPIAR** y **ENFRIAR**.

COCINAR

Es muy importante cocinar los alimentos a una temperatura interna que destruya cualquier bacteria que esté presente. Últimamente se ha puesto mucha atención en la higiene de las hamburguesas y otros alimentos elaborados con carne molida y con razón. Cuando se muele la carne, las bacterias presentes en la superficie se revuelven en toda la mezcla de la carne molida. Si la carne molida no se cuece a por lo menos 71°C a 74°C (160°F - 165°F), no se destruyen las bacterias y hay una buena posibilidad de enfermarse.

Las piezas de carne sólida, como los filetes y las chuletas, no tienen en su interior bacterias peligrosas como le E. coli, por lo que pueden servirse menos cocidas. Aun así, cualquier corte de vacuno debe cocinarse a una temperatura interna de por lo menos 63°C (145°F) (medio cocido). La temperatura recomendable para las aves es de 75°C (165°F) y los cortes sólidos de carne de puerco deben cocinarse a 71°C (160°F).

SEPARAR

SIEMPRE DEBE separar los alimentos que se comen crudos y los que se vayan a cocer antes de comerse. La contaminación cruzada se presenta cuando la carne o los huevos crudos entran en contacto con alimentos que se van a consumir sin cocimiento. Esta es una importante causa de intoxicaciones. Siempre use una doble envoltura para la carne cruda y colóquela en la repisa más baja del refrigerador, para que no haya manera de que su jugo gotee en las verduras frescas. Use la carne cruda 1 o 2 días después de comprarla, o congélela para guardarla más tiempo. Descongele la carne congelada en el refrigerador, no en el mesón de la cocina.

Cuando ase o cocine carne o pescado crudo, coloque la carne ya cocida en un platón limpio. No use el mismo platón que usó para llevar la carne al asador. Lave los utensilios usados en el asador después de haber volteado los alimentos por última vez, así como las cucharas y espátulas usadas para freír o para voltear la carne al estarla cocinando.

No olvide lavarse las manos después de manejar carne o huevos crudos. Es absolutamente necesario lavarse las manos con agua y jabón o usar una toallita húmeda antibacteriana después de tocar carne o huevos crudos. No lavarse las manos o las superficies cuando se cocina es una causa importante de contaminación cruzada.

LIMPIAR

Lávese las manos y las superficies de trabajo con frecuencia mientras esté cocinando. Lávese con agua tibia y jabón durante por lo menos 15 segundos; después séquese con una toalla de papel.

ENFRIAR

Es muy importante enfriar los alimentos. La zona de peligro para la multiplicación de bacterias está entre los 4 °C y 60 °C (40 °F - 140 °F). El refrigerador debe estar a 4 °C (40 °F) o menos; el congelador debe estar a -18 °C (0 °F) o menos. Regla básica: sirva calientes los alimentos calientes y sirva fríos los alimentos fríos. Use platos calientes para mantener caliente la comida a la hora de servirla. Use baños de agua con hielo para mantener fría la comida fría. Nunca deje ningún alimento a temperatura ambiente por más de 2 horas; o por más de 1 hora si la temperatura ambiente es de 32 °C (90 °F) o superior. Cuando empaque para un picnic, asegúrese de que la comida ya esté fría cuando la meta en la canasta aislada. La canasta no enfría la comida; sólo la mantiene fría si está debidamente empacada con hielo. Los alimentos cocidos calientes deben colocarse en recipientes bajos y refrigerarse de inmediato para que se enfríen rápidamente. No olvide cubrir los alimentos una vez que se enfríen..

NOTA: Debe tener especial consideración al usar venado y otra carne de caza, ya que puede contaminarse durante la preparación de campo. El venado suele mantenerse a temperaturas que podrían permitir el crecimiento de bacterias, como cuando se transporta. Consulte con el Departamento de Carnes y Aves de la USDA si tiene más preguntas o quiere más información sobre higiene de carne y alimentos.

INFORMACIÓN DE LA SALCHICHA

SELECCIÓN DE CARNE PARA HACER SALCHICHAS

La elaboración de salchichas ha evolucionado a lo largo de muchos años y generaciones, y como resultado, hay un sinnúmero de tipos de salchichas que puede hacer usando los ingredientes básicos como carne, grasa y algunas especias cuidadosamente combinadas. A continuación se presentan algunos lineamientos sencillos que le ayudarán a elaborar salchichas con el mejor sabor posible.

Se puede utilizar cualquier tipo de carne para elaborar embutidos: carne de cerdo, de res, de bisontes, de alces y de caribúes, incluso con la de antílope se hacen excelentes salchichas. En la preparación de la carne de venado o de otras carnes rojas de caza es importante quitar toda la grasa de la carne, ya que el sebo de la carne roja de caza se vuelve rancio en tan sólo cinco días. Reemplace la grasa, con grasa de cerdo o de vaca, dependiendo del tipo de producto que esté elaborando, en una proporción de 0.5 kg (1 lb) de grasa por cada 1.8 kg (4 lb) de carne de caza.

El contenido de grasa de la salchicha afectará el sabor, la textura, las características de cocción y la vida útil de su producto. La mayoría de las salchichas comerciales tienen un contenido de grasa de alrededor del 20%. El uso de menos de 12% de grasa dará lugar a una salchicha muy seca a la degustación, mientras que con más del 20% puede dar como resultado una salchicha sin sabor y pegajosa que será difícil de cocinar.

CURADO

Es importante curar adecuadamente las carnes para conservarlas, y destruir los microorganismos indeseables en las superficies de la carne que causan su descomposición así como enfermedades derivadas de ésta. Hay muchas medidas que son de ayuda en este proceso, como el ahumado, la cocción, el secado, la refrigeración, y la adición de ingredientes para curado. Los medios más antiguos para lograr esto eran mediante la introducción de la sal en la carne. La resistencia de las bacterias a la sal varía ampliamente entre los diferentes tipos de bacterias. El crecimiento de algunas bacterias se inhibe por concentraciones de sal tan bajas como el 3% en por ejemplo la Salmonela, mientras que otros tipos son capaces de sobrevivir en concentraciones mucho más altas de sal, por ejemplo el estafilococo. Afortunadamente, el crecimiento de muchos organismos no deseados que normalmente se encuentran en los productos de carne y de aves de corral curadas se inhibe a concentraciones bajas de sal. El curado moderno se basa en nitratos y es muy científico. Adquiera Sal rosa para curar Weston (02-0000-W) y siga las instrucciones para asegurar que está curando adecuadamente su salchicha casera.

FORRO

Weston ofrece una variedad completa de envoltorios. La elección correcta depende de su la preferencia personal, así como del tipo de salchicha que desea elaborar. Para la mayoría de las salchichas, sus opciones son naturales o de colágeno. No deje que los nombres le engañen; los forros de colágeno no son un producto sintético. Están hechos de piel de res y otros tejidos. Los forros de colágeno son uniformes en tamaño y textura y casi no requieren preparación. Los forros "naturales" son los intestinos de cordero, de ovejas, de cerdos o de res. Son menos uniformes en tamaño y requieren una preparación. También hay forros fibrosos no comestibles que se utilizan para algunas variedades de salchichas y mortadelas ahumadas. También hay envoltorios fibrosos no comestibles que son usados más comúnmente para salchichón y bolonia

TIPOS DE SALCHICHAS

La mayoría de las salchichas caen dentro de una de cuatro categorías: Frescas, ahumadas, cocidas o secas. Todas las salchichas, excepto las secas, requieren ser refrigeradas para su almacenamiento. También hay una subcategoría de salchichas ahumadas crudas.

Entre las salchichas ahumadas frescas y las crudas, encontrará sabores como kielbasa o salchicha polaca, salchicha italiana, salchichas para desayuno y muchos otros. Las salchichas ahumadas frescas y crudas requieren cocción antes de comerse y también requieren de almacenamiento refrigerado.

Las salchichas ahumadas y las cocidas incluyen al salami, a la mortadela, a los siempre populares perros calientes y a muchas otras. El ahumado adecuado requiere un ahumadero o un ahumador. Weston ofrece ahumadores de propano para estar al aire libre en varios tamaños (41-0701-W, 41-0301-W, o 41-0401-W). La mayoría de las salchichas ahumadas se calientan antes de servir. Muchas personas piensan que una salchicha ahumada va a durar mucho más tiempo sin echarse a perder, pero esto no es cierto. Las salchichas ahumadas deben ser tratadas de la misma manera que las salchichas frescas en cuanto al almacenamiento. Las salchichas secas requieren un tiempo de procesamiento más largo, ya que se secan al aire durante un largo período de tiempo. Las salchichas curadas en seco incluyen salami, chorizo y pepperoni, entre otras. Las condiciones en las que se seca la carne son muy exigentes; la temperatura, el tiempo y la humedad deben ser monitoreados cuidadosamente para obtener un producto seguro y delicioso.

ALMACENAMIENTO

Recomendamos sellar al vacío sus salchichas frescas, luego almacenarlas en el refrigerador (por corto tiempo) o en el congelador (por largo tiempo) para obtener el mejor sabor. Weston fabrica diversas selladoras al vacío. Pida su selección al vendedor donde compró esta unidad. Almacene los productos curados secos y sin refrigerar en papel u otra envoltura transpirable.



UN AÑO DE GARANTÍA WESTON LIMITADA

Esta garantía aplica a los productos que se compran y usan en los EE. UU. y Canadá, y que se registraron adecuadamente dentro de 30 días de la fecha de compra original. Esta es la única garantía expresa para este producto y reemplaza cualquier otra garantía o condición. Este producto está garantizado contra defectos materiales y de fabricación por un periodo de un (1) año a partir de la fecha de compra original. Durante este periodo, su único recurso es la reparación o sustitución de este producto o de cualquier componente que se encuentre defectuoso, a nuestra elección.

Para registrar su producto, complete el formulario en línea en www.WestonSupply.com/Warranty

Esta garantía no cubre productos no registrados, reparaciones o servicios a productos no autorizados, productos vendidos "tal cual" por minoristas, vidrio, filtros, desgaste por uso normal, uso que no sea conforme a las instrucciones impresas o daño al producto como resultado de un accidente, alteración, abuso o mal uso. Esta garantía se extiende únicamente al comprador consumidor original o quien reciba el producto como regalo y no es transferible. Guarde el recibo de compra original ya que se requiere de un comprobante de compra para hacer un reclamo de garantía. Esta garantía es nula si el producto es sujeto a cualquier voltaje u forma de onda que no sea la que se indica en la etiqueta de especificaciones (p. ej., 120 V ~ 60 Hz).

Excluimos todo reclamo por daños especiales, incidentales o que resulten como consecuencia del incumplimiento de la garantía expresa o implícita. Toda responsabilidad se limita al monto del precio de compra. Toda garantía implícita, incluyendo cualquier garantía legal o condición de comerciabilidad o aptitud para un propósito en particular, se niega excepto en la medida que lo prohíbe la ley, en cuyo caso dicha garantía o condición se limita a la duración de esta garantía por escrito. Esta garantía le otorga derechos legales específicos. Puede tener otros derechos legales que varían según donde vive. Algunos estados o provincias no permiten limitantes en garantías implícitas o daños especiales, incidentales o consecuentes, por lo tanto, es posible que las limitaciones mencionadas anteriormente no apliquen para usted.

Antes de devolver el producto para cualquier reparación o servicio: debe estar limpio y libre de partículas de alimentos u otra suciedad; de otra manera, se le devolverá o aplicará un cargo de 50 USD por limpieza, a nuestra elección.

Para reclamar una garantía, visite www.WestonSupply.com/Contact o llame al 1.800.814.4895 en los EE. UU. o al 001.216.901.6801 fuera de los EE. UU., de lunes a viernes de 8 a. m. a 5 p. m. hora del este. Usted es responsable de todos los costos asociados con enviarnos el producto con el flete prepago.

Si el producto califica para una reparación o un reemplazo bajo garantía, asumiremos el costo de devolverle el producto. No somos responsables por los daños resultantes del envío.

Para trabajo fuera de garantía: llame al 1.800.814.4895 dentro de los EE. UU. o al 001.216.901.6801 fuera de los EE. UU., de lunes a viernes de 8 a. m. a 5 p. m. hora del Este, para obtener un número de autorización de devolución de mercancía (Return Merchandise Authorization, RMA). Rechazaremos toda devolución sin número de RMA. Aplicaremos un cargo de 35 USD/hora por todo trabajo de diagnóstico, servicio, reparación o procesamiento. No iniciaremos ningún servicio o trabajo de reparación sin autorización previa. Usted es responsable de todos los costos asociados con enviarnos el producto con el flete prepago y con nuestra devolución hacia usted.



WESTON
RECONNECT WITH REAL FOOD

HACHOIR À VIANDE

ÉLECTRIQUE #8

ET POUSSOIR À SAUCISSES

PARCE QUE NOS PRODUITS BÉNÉFICIENT DE PERFECTIONNEMENTS CONSTANTS APPORTÉS EN USINE, LES ILLUSTRATIONS PRÉSENTES PEUVENT ÊTRE LÉGÈREMENT DIFFÉRENTES DU PRODUIT REÇU.

PRÉCAUTIONS IMPORTANTES

Pour utiliser un appareil électroménager, vous devez toujours prendre des mesures élémentaires de sécurité pour réduire le risque d'incendie, d'électrocution et/ou de blessure corporelle, en particulier les mesures suivantes:

1. Lire toutes les instructions.
2. Cet appareil n'est pas destiné à être utilisé par des personnes dont les capacités physiques, sensorielles ou mentales sont réduites, ou manquant d'expérience et de connaissance, sauf si elles sont étroitement surveillées et instruites sur l'utilisation de l'appareil par une personne responsable de leur sécurité.
3. Evite el contacto con las piezas móviles. Nunca introduzca alimentos con la mano. Siempre use el empujador de alimentos.
4. Une surveillance étroite est requise pour tout appareil utilisé par ou près des enfants. Surveiller que les enfants ne jouent pas avec l'appareil.
5. Pour éviter les risques d'électrocution, ne pas immerger le cordon, la fiche, la base ou le moteur dans l'eau ou tout autre liquide.
6. Fermer l'appareil (●), puis le débrancher de la prise lorsqu'il n'est pas utilisé, avant d'assembler ou de désassembler des pièces ou avant de le nettoyer. Pour le débrancher, tenir la fiche et la retirer de la prise. Ne jamais tirer sur le cordon.
7. Brancher le hachoir dans une prise murale standard de 120 V, 60 Hz. Vérifier que la tension indiquée sur l'appareil correspond à la tension locale avant de connecter l'appareil.
8. Ne pas faire fonctionner un appareil électroménager avec un cordon ou une fiche endommagée, ou lorsque l'appareil ne fonctionne pas bien ou a été échappé ou endommagé d'une manière quelconque. Le remplacement et la réparation du cordon d'alimentation doivent être faits par le fabricant, son agent de service ou toute personne qualifiée de façon à éviter tout danger. Appeler le numéro de service à la clientèle fourni pour des renseignements concernant l'examen, la réparation ou l'ajustement.
9. L'utilisation d'accessoires non recommandés par le fabricant ou vendus par le fabricant de l'appareil peut causer des blessures.
10. Ne pas utiliser à l'extérieur.
11. Ne pas laisser pendre le cordon de la table ou du comptoir et éviter tout contact entre le cordon et les surfaces chaudes incluant la cuisinière.
12. S'assurer que l'appareil est OFF (○/arrêt) avant de brancher la fiche dans la prise de courant. Pour débrancher, tourner la commande à et mettre à OFF (○/arrêt) puis débrancher la fiche de la prise de courant. Pour débrancher, saisir la fiche et la retirer de la prise. Ne pas tirer sur le cordon d'alimentation.
13. Ne pas utiliser le hachoir sans le plateau.

PRÉCAUTIONS IMPORTANTES

14. Ne pas introduire d'aliments avec les mains. Toujours utiliser le poussoir fourni. Éloigner les doigts de la vis sans fin et des lames en tout temps. Ne jamais introduire les mains dans le hachoir. Ceci représente un risque de blessures graves.
15. Ne jamais utiliser les doigts pour enlever la nourriture de la plaque de hachage alors que le hachoir est toujours en marche. Vous risquez de vous blesser sérieusement.
16. Ne jamais laisser le hachoir sans surveillance. Par précaution, débrancher le hachoir de la source d'alimentation avant de quitter la zone de travail.
17. Évitez tout contact avec les pièces en mouvement. N'insérez jamais d'aliments avec vos mains. Utilisez toujours le poussoir.
18. Pour réduire le risque de blessure grave et les bris du hachoir, attacher les cheveux et les vêtements et retrousser les manches longues avant de mettre l'appareil en marche et d'utiliser le hachoir. Retirer les cravates, bagues, montres, bracelets ou autres bijoux avant de faire fonctionner le hachoir.
19. S'assurer que le hachoir est posé sur une surface de travail stable. S'assurer que les pieds du hachoir sont stables.
20. Ne pas laisser pendre le cordon de la table ou du comptoir et éviter tout contact entre le cordon et les surfaces chaudes incluant la cuisinière.
21. Ne pas faire fonctionner le hachoir sans viande dans la tête. La tête et la vis sans fin risquent de subir de sérieux dommages.
22. Porter une protection pour les yeux. Porter des lunettes de sécurité. Les lunettes de vue ne sont pas des lunettes de sécurité. Les lunettes de sécurité doivent être conformes aux exigences de la norme ANSI Z87.1. REMARQUE : Les lunettes de sécurité agréées ont la marque Z87 imprimée ou gravée dessus.
23. N'utiliser cet appareil que pour les fonctions auxquelles il est destiné.
24. Ne pas utiliser le hachoir si l'appareil est froid. La température du hachoir doit être d'au moins de 45 °F (7 °C) avant de commencer.
25. Ne faites pas fonctionner l'appareil pendant plus de 15 minutes consécutives. Après 15 minutes d'utilisation continue, laissez-le reposer pendant quelques minutes.
26. La lame de hachoir de broyage est affûtée. Manipuler avec soin.
27. Ne placer jamais votre appareil électroménager à proximité ou sur un brûleur électrique ou à gaz chaud ou dans un four chaud.
28. **ATTENTION !** Afin d'éviter un danger découlant d'une réinitialisation accidentelle du rupteur thermique, ce dispositif ne doit pas être alimenté par l'entremise d'un appareil de connexion externe, comme une minuterie, ou connecté à un circuit qui est régulièrement mis sous et hors tension par le service public.

CONSERVER CES INSTRUCTIONS



AUTRES CONSIGNES DE SÉCURITÉ POUR LE CONSOMMATEUR

Cet appareil est destiné à un usage domestique uniquement.

⚠ AVERTISSEMENT **Risque d'enchevêtrement:** Ne jamais introduire la main dans tout orifice d'entrée du hachoir afin d'éviter les blessures graves. Toujours utiliser le poussoir. Ne jamais faire fonctionner l'appareil sans avoir installé le plateau.

⚠ AVERTISSEMENT **Risque de choc électrique.** Cet appareil est muni d'une fiche polarisée (une lame large) pour réduire le risque de choc électrique. La fiche ne se branche que d'une seule façon dans une prise polarisée. Ne neutralisez pas le but de sécurité de la fiche en modifiant la prise de quelque façon que ce soit ou en utilisant un adaptateur. Si la fiche ne rentre pas complètement dans la prise, inversez la prise. Si cela ne convient toujours pas, demandez à un électricien de remplacer la prise.

La longueur du cordon utilisé sur cet appareil a été choisie pour réduire les risques de s'emmêler ou de trébucher sur un cordon plus long. Si un cordon plus long est nécessaire, une rallonge approuvée peut être utilisée. Le calibre électrique de la rallonge doit être égal ou supérieur au calibre de l'appareil. Il faut veiller à ce que la rallonge ne soit pas placée sur le comptoir ou sur le dessus de la table, où elle pourrait être tirée par des enfants ou trébucher accidentellement.

DESCRIPTION DE LA PIÈCE

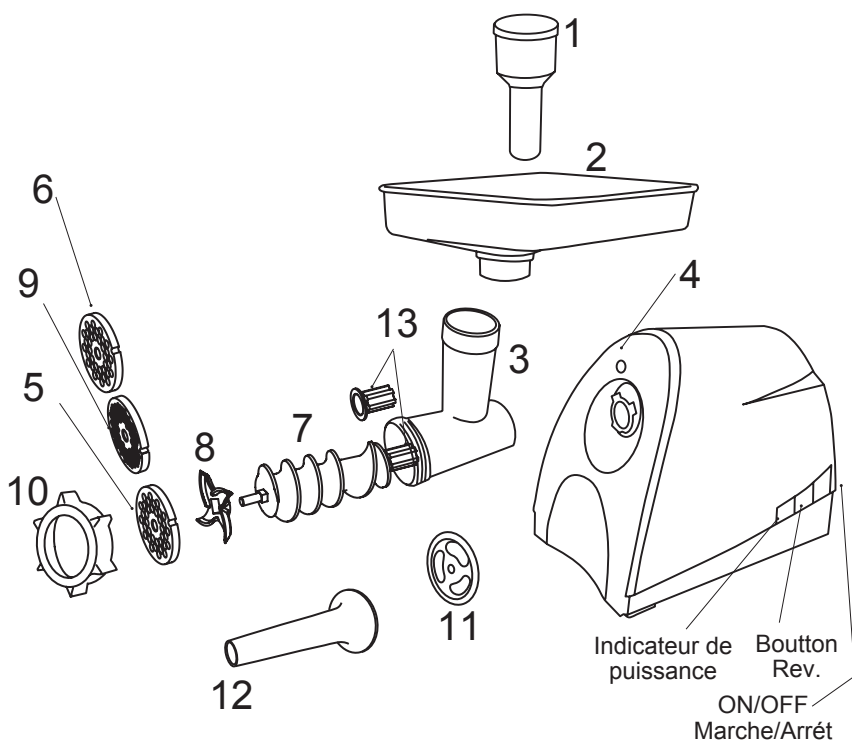
NUMÉRO DE SCHÉMA	DESCRIPTION DE LA PIÈCE
1	POUSSOIR
2	PLATEAU EN ALUMINIUM
3	TÊTE DE HACHOIR
4	BOUTON DE DÉGAGEMENT DE LA TÊTE
5	DISQUE POUR HACHAGE FIN EN ACIER INOXYDABLE DE 3 MM
6	DISQUE POUR HACHAGE MOYEN EN ACIER INOXYDABLE DE 4,5 MM
7	VIS SANS FIN
8	LAME DE HACHOIR EN ACIER INOXYDABLE
9	DISQUE POUR HACHAGE GROS EN ACIER INOXYDABLE DE 8 MM
10	ÉCROU À ŒIL DE DEVANT
11	ESPACEUR À FARCE
12	ENTONNOIR À FARCE
13	ENTRAÎNEMENT DE VIS SANS FIN (2, 1 PRE INSTALLÉE)
PAS ILLUSTRÉ	CORDON D'ALIMENTATION

N'hésitez pas à visiter notre site Web WestonProduct.com/support si un composant est cassé, l'outil fonctionne mal, ou pour commander un nouveau mode d'emploi.

WestonSupply.com

Veuillez appeler Weston Brands, LLC au numéro sans frais : 1-800-814-4895

Du lundi au vendredi: de 8h00 à 17h00 ET. En dehors des États-Unis, veuillez appeler le 001-216-901-6801



NETTOYAGE

⚠ AVERTISSEMENT **Risque de choc électrique:** Débrancher l'appareil avant de le nettoyer, le démonter ou l'assembler. Ne pas immerger le cordon, la fiche ou le moteur dans l'eau ou tout autre liquide.

1. Dévisser l'Écrou à œil et enlever toutes les pièces de la Tête du Hachoir.
2. Pour enlever la Tête du Hachoir, appuyer le Bouton de dégagement de la tête et tourner la Tête du Hachoir dans le sens des aiguilles d'une montre. **FIGURE A**
3. Laver toutes les pièces qui viennent en contact avec les aliments dans de l'eau savonneuse chaude. Rincer avec de l'eau claire. Sécher immédiatement. Les pièces du Hachoir ne sont pas lavables au lave-vaisselle. Ne PAS utiliser d'eau de javel.
4. Lubrifier complètement la Tête du Hachoir, les Disques pour hachage et le Couteau avec un aérosol à base de silicone de qualité alimentaire avant et après chaque utilisation.
5. Nettoyer le Corps principal avec un chiffon doux humide. Sécher immédiatement. NE PAS immerger le Corps principal du Hachoir dans l'eau ou autres liquides.

*Bouton de
dégagement de
la tête*

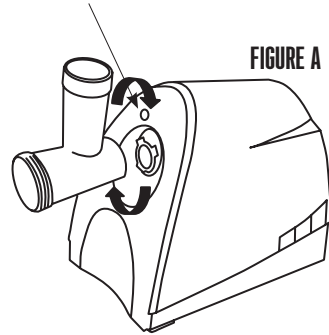


FIGURE A

ASSEMBLAGE DU HACHOIR

⚠ AVERTISSEMENT **Risque d'enchevêtrement:** Débrancher l'appareil avant de le nettoyer, le démonter ou l'assembler.

1. Enlever l'Écrou à œil, le Disque pour hachage, le Couteau et la Vis sans fin de la Tête du Hachoir avant d'installer la Tête du Hachoir au Corps principal.

2. Aligner les encoches sur la Tête du Hachoir avec les pattes sur le Corps principal.

3. Appuyer la Tête du Hachoir contre le Moteur et la tourner dans le sens inverse des aiguilles d'une montre jusqu'à ce qu'elle se cale en place (**FIGURE B**).

4. Insérer la Vis sans fin dans la Tête du Hachoir, l'extrémité de l'Entraînement de vis sans fin en premier (**FIGURE C**).

5. Placer le Couteau du Hachoir sur la partie carrée de l'Axé de la vis sans fin. Les bords coupants (côté plat) du Couteau doivent être orientés vers l'extérieur (**FIGURE D**).

6. Placer le Disque pour hachage de votre choix sur l'Axé de la vis sans fin. S'assurer que l'encoche du Disque du Hachoir correspond bien dans la goupille de positionnement de la Tête du Hachoir (**FIGURE C**).

7. Tourner l'Écrou à œil dans le sens des aiguilles d'une montre dans l'extrémité fileté de la Tête du Hachoir jusqu'à ce qu'il touche le Disque du Hachoir et est bien serré. **NE PAS** trop serrer l'Écrou à œil.

8. Placer le Plateau sur la partie verticale de la Tête du Hachoir. **NE JAMAIS** utiliser le Hachoir sans le Plateau installé!

FIGURE B

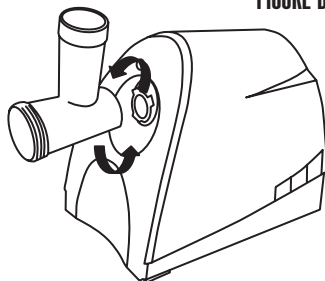


FIGURE C

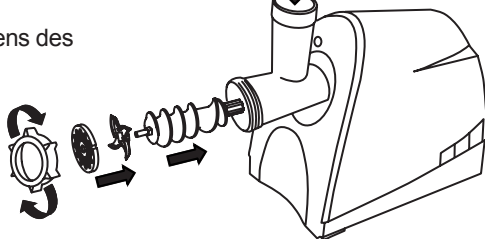
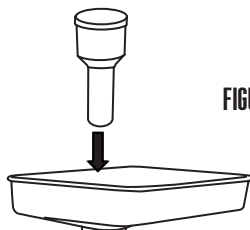
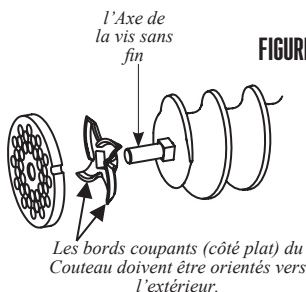


FIGURE D



DIRECTIVES DE HACHAGE

⚠ AVERTISSEMENT **Risque d'enchevêtrement:** Ne jamais introduire la main dans tout orifice d'entrée du hachoir afin d'éviter les blessures graves. Toujours utiliser le poussoir. Ne jamais faire fonctionner l'appareil sans avoir installé le plateau.

1. Suivez les "Directives de Montage du Hachoir" pour assembler complètement le Hachoir y compris le Plateau.

REMARQUE : Il est préférable de hacher la viande en utilisant le Disque pour hachage de 8 mm à gros trous en premier. Si un hachage plus fin de la viande est désiré, faire passer la viande hachée avec le disque à gros trous à travers le Hachoir une deuxième fois en utilisant le Disque pour hachage fin de 4,5 mm ou 3 mm.

2. Enlever les cordons, tendons, os, balle, etc. de la viande.

3. Pour de meilleurs résultats, s'assurer que toute la viande a été mise à refroidir rapidement entre 0 et 1 °C (32-34°F) avant de l'hacher. **NE PAS LAISSER DE LA VIANDE À TEMPÉRATURE AMBIANTE PLUS LONGTEMPS QU'IL NE SOIT ABSOLUMENT NÉCESSAIRE.** Suivre de près les directives "Sécurité des aliments" définies par l'USDA.

4. Couper la viande en morceaux de taille suffisamment petite pour aller dans la Trémie. Des cubes d'environ 2,5 cm (1 po).

5. Placer les cubes de viandes à hacher dans le Plateau. Ne pas trop remplir le Plateau, placer juste assez pour laisser la surface de la Trémie ouverte.

6. Placez un plat ou un bol pour recueillir la viande hachée au bout de la Tête du Hachoir (**FIGURE E**).

7. S'assurer que le Hachoir est sur la position "OFF" (ARRÊT). Brancher le Hachoir à l'alimentation électrique.

8. Appuyer le Bouton du Hachoir sur "ON" (MARCHE). Commencez à mettre soigneusement les cubes de viande dans la Trémie. **UTILISER SEULEMENT LE POUSSOIR POUR POUSSER LA VIANDE DANS LA TÊTE, NE PAS UTILISER LES DOIGTS OU TOUT AUTRE OBJET.**

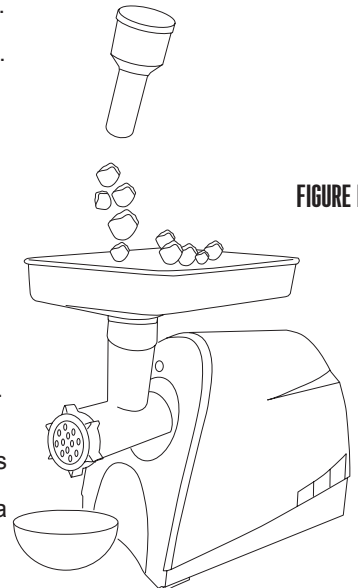


FIGURE E

REMARQUE :

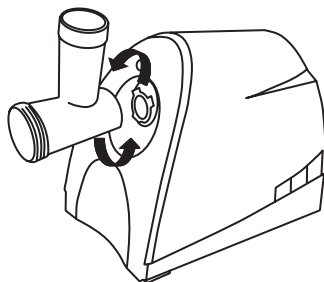
Pour éviter les risques de surchauffe, ne pas utiliser le Hachoir pendant plus de 15 minutes à la fois. Laisser le Hachoir se refroidir périodiquement.

ASSEMBLAGE DU POUSSOIR

⚠ AVERTISSEMENT **Risque d'enchevêtrement:** Débrancher l'appareil avant de le nettoyer, le démonter ou l'assembler.

1. Enlever l'Écrou à œil, le Disque pour hachage, le Couteau et la Vis sans fin de Tête du Hachoir avant d'installer la Tête du Hachoir au Corps principal.
2. Aligner les encoches dans la Tête du Hachoir avec les pattes sur le Corps principal.
3. Appuyer la Tête du Hachoir contre le Moteur et la tourner dans le sens inverse des aiguilles d'une montre jusqu'à ce qu'elle se cale en place (**FIGURE F**).
4. Insérer la Vis sans fin dans la Tête du Hachoir, l'extrémité de l'Entraînement de vis sans fin en premier (**FIGURE G**).

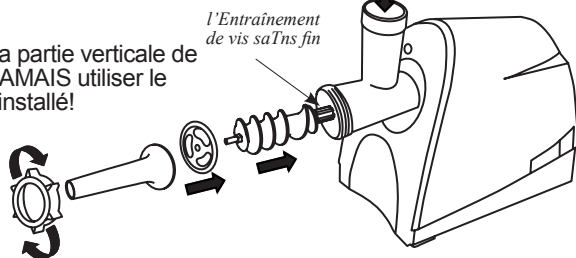
FIGURE F



5. Placer l'Espaceur à farce dans la Tête du Hachoir. S'assurer que l'encoche de l'Espaceur à farce correspond bien avec la goupille de serrage de la Tête du Hachoir.
6. Insérer l'Entonnoir à farce à travers l'Écrou à œil et puis sur la Tête du Hachoir.
7. Tourner l'Écrou à œil dans le sens des aiguilles d'une montre sur l'extrémité filetée de la Tête du Hachoir jusqu'à ce qu'il touche l'Entonnoir à farce. **NE PAS** trop serrer l'Écrou à œil.

FIGURE G

8. Placer le Plateau sur la partie verticale de la Tête du Hachoir. **NE JAMAIS** utiliser le Hachoir sans le Plateau installé!



DIRECTIVES POUR FARCIR

⚠ AVERTISSEMENT **Risque d'enchevêtrement:** Ne jamais introduire la main dans tout orifice d'entrée du hachoir afin d'éviter les blessures graves. Toujours utiliser le poussoir. Ne jamais faire fonctionner l'appareil sans avoir installé le plateau.

1. Après le hachage de la viande en suivant les "Directives de hachage", mélanger la viande hachée avec l'assaisonnement à saucisse.
2. Suivre les "Directives d'assemblage du poussoir" pour assembler complètement le Hachoir comme un Outil à farcir y compris le Plateau.

REMARQUE: Bien qu'une personne puisse farcir des saucisses avec ce Hachoir, il est recommandé que deux personnes exécutent cette opération.

3. Place seasoned ground meat into the Tray.

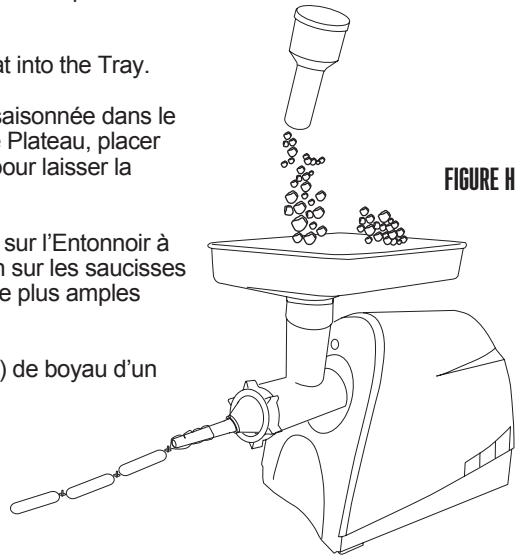
4. Placez la viande hachée assaisonnée dans le Plateau. Ne pas trop remplir le Plateau, placer juste suffisamment de viande pour laisser la surface de la Trémie ouverte.

5. Glisser un boyau à saucisse sur l'Entonnoir à farce. Voir la partie "Information sur les saucisses / Boyaux" de ce manuel pour de plus amples renseignements.

6. Glisser 10 à 15 cm (4 à 6 po) de boyau d'un bout de l'Entonnoir à farce et faites un nœud au bout du boyau. Si vous utiliser un boyau fibreux de gros diamètre, tenez l'extrémité fermée du boyau bien serrée contre l'extrémité de l'Entonnoir à farce (**FIGURE H**).

7. S'assurer que le Hachoir est sur la position "OFF" (ARRÊT). Brancher le Hachoir à l'alimentation électrique.

8. Appuyer sur le Bouton du Hachoir "ON" (MARCHE). Commencer à mettre soigneusement la viande hachée dans la Trémie. **UTILISER SEULEMENT LE POUSSOIR POUR POUSSER LA VIANDE DANS LA TÊTE, NE PAS UTILISER LES DOIGTS OU TOUT AUTRE OBJET.**



NOTE:
To prevent overheating, do not operate the **Grinder** for more than 15 minutes at a time. Allow the **Grinder** to cool periodically.

8. Tenir le boyau en place d'une main tout en faisant passer le mélange à travers le Hachoir. Au fur et à mesure que la viande remplit le boyau, le posez délicatement sur une surface sèche et propre. **REMARQUE** : Utilisez une surface mouillée si vous utilisez des boyaux naturels.

9. Ne pas remplir les derniers 8 à 10 cm (3 à 4 po) de boyau. Une fois que toute la longueur de boyau est farcie, tourner l'extrémité ouverte pour la fermer, puis nouer bien serré les extrémités du boyau pour fermer. Tourner pour faire des chainons.

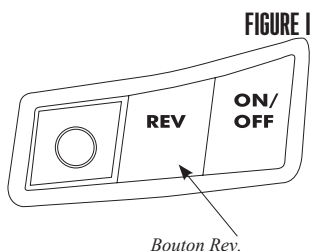
10. Pour farcir des saucisses, remplir le boyau lentement pour éviter des poches d'air. Si des poches d'air apparaissent dans la saucisse, utiliser une aiguille pour percer les bulles. Les petits trous se refermeront naturellement.

UTILISATION DE LA FONCTION INVERSE (REVERSE)

La fonction inverse (Reverse) doit seulement être utilisée pendant des temps très courts pour aider à dégager un blocage.

1. Laisser le Moteur du Hachoir S'ARRÊTER COMPLÈTEMENT avant d'engager la fonction inverse "REV".

2. Poussez le Bouton Rev (**FIGURE I**).



REMARQUE : NE JAMAIS se servir du Hachoir en fonction inverse pendant plus de 5 secondes.

3. Si le Hachoir reste bloqué après avoir utilisé la fonction inverse, mettre le Hachoir sur la position "OFF" (ARRÊT), débrancher le Hachoir de sa source d'alimentation. Démontez le Tête du Hachoir et la nettoyer suivant les "Directives de nettoyage." Remonter le Hachoir et suivez les "Directives pour hacher/ Directives pour farcir."

PROTECTION CONTRE LES SURCHARGES THERMIQUES

Le Hachoir à viande électrique robuste s'arrêtera automatiquement en cas de surchauffe. Si cela se produit :

1. Mettre le Hachoir sur la position "OFF" (ARRÊT) et débrancher le Cordon d'alimentation.
2. Enlever la Tête du Hachoir du Corps Principal.
3. Attendre jusqu'à ce que le Hachoir se refroidisse ou environ 1 heure. Garder la viande réfrigérée pendant que le Hachoir se refroidisse. Démonter et enlever la viande de la Tête si nécessaire.
4. Remonter le Hachoir et continuer l'utilisation normale.
5. Pour éviter les risques de surchauffe, ne pas utiliser le Hachoir pendant plus de 15 minutes à la fois. Laisser le Hachoir se refroidir périodiquement.

CONSEILS UTILES

▪ Quand vous rangez le Hachoir, pliez et placez le Cordon d'alimentation dans le compartiment en dessous. Insérez l'extrémité avec la fiche du cordon d'alimentation en dernier.

▪ Le Poussoir fourni sert aussi comme un bon moyen propre et compact de ranger l'Entonnoir à farce et l'Espaceur à farce.

▪ Chaque fois que vous changez de Disques pour hachage, la Tête doit être enlevée **COMPLÈTEMENT** pour éviter de repousser la viande dans le Logement de l'arbre de transmission du moteur.

▪ Pour éviter les risques de surchauffe, ne pas utiliser le Hachoir pendant plus de 15 minutes à la fois. Laisser le Hachoir se refroidir périodiquement.

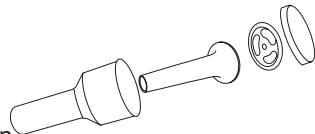
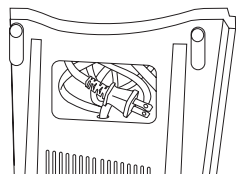
▪ **NE PAS** trop serrer l'Écrou à œil de devant. Il doit être fermement serré.

▪ S'assurer que les lames du Couteau de hachage sont disposées à plat sur le Disque du Hachoir.

▪ **DE PAS** utiliser le Hachoir sans viande dans la Tête. Faire marcher le Hachoir à sec pourrait endommager la Tête et la Vis sans fin.

▪ Toujours lubrifier la Tête, le Disque pour hachage et le Couteau de hachage avec un aérosol à base de silicone de qualité alimentaire après le nettoyage.

▪ **NE PAS** broyer les os ou autres objets durs.



SÉCURITÉ ALIMENTAIRE

Il y a des règles fondamentales à suivre lors de la manipulation d'aliments. Elles sont **CUIRE, SÉPARER, NETTOYER, et REFROIDIR RAPIDEMENT.**

CUIRE

Il est crucial de cuire les aliments à une température interne sûre pour détruire les bactéries qui sont présentes. La sécurité des hamburgers et autres aliments faits avec de la viande hachée a reçu dernièrement beaucoup d'attention, et pour une bonne raison. Quand la viande est hachée, les bactéries présentes sur la surface sont mélangées dans l'ensemble du mélange haché. Si cette viande hachée n'est pas cuite jusqu'à au moins 71oC à 74oC (160oF à 165oF), les bactéries ne seront pas détruites et il y a une forte chance que cela vous rendra malade.

Des morceaux solides de viande comme des steaks et côtelettes n'ont pas de bactéries dangereuses comme E. coli à l'intérieur, donc ils peuvent être servis plus saignants. Quand même, tout morceau de bœuf doit être cuit à une température interne d'au moins 63oC (145oF) (mi-saignant). La température sûre pour la volaille est 75oC (165oF) et les morceaux de viande entier de porc doivent être cuits à 71oC (160oF).

SÉPARER

Les aliments qui seront mangés crus et les aliments qui seront cuits avant d'être mangés **DOIVENT TOUJOURS** être séparés. La contamination croisée se produit quand des viandes crues ou des œufs viennent en contact avec des aliments qui seront mangés crus. Ceci est une source principale d'intoxication alimentaire. Enveloppez toujours deux fois les viandes crues et placez-les sur l'étagère la plus basse dans le réfrigérateur de manière qu'aucun jus ne puisse goutter sur les fruits et légumes crus. Puis utilisez les viandes crues entre 1 et 2 jours après l'achat, ou congelez-les pour les conserver plus longtemps. Décongelez les viandes congelées dans le réfrigérateur, pas sur le comptoir.

Quand vous grillez ou cuisez des viandes ou des poissons crus, assurez-vous de mettre la viande cuite sur un plat propre. N'utilisez pas le même plat que vous avez utilisé pour transporter les aliments avant de les mettre sur le grill. Lavez les ustensiles utilisés pour griller après que les aliments sont tournés pour la dernière fois sur le grill, aussi bien que les spatules et cuillers utilisées pour faire sauter à feu vif en remuant ou pour tourner la viande au fur et à mesure qu'elle cuit.

Assurez-vous de bien laver vos mains après avoir manipulé des viandes crues ou des œufs crus. Se laver les mains avec du savon et de l'eau, ou utiliser une lingette antibactérienne pré-humidifiée est absolument nécessaire après avoir touché de la viande crue ou des œufs crus. Ne pas se laver les mains et les surfaces pendant la cuisine est une cause majeure de contamination croisée.

NETTOYER

Lavez fréquemment vos mains et les surfaces de travail lorsque vous cuisinez. Lavez avec du savon et de l'eau chaude pendant au moins 15 seconds, puis séchez avec une serviette en papier.

REFROIDIR RAPIDEMENT

La réfrigération rapide des aliments est très importante. La zone de danger où les bactéries se multiplient est entre 4oC et 60oC (40oF et 140oF). Votre réfrigérateur doit être réglé à 4oC (40oF) ou en-dessous; votre congélateur doit être à -18oC (0oF) ou en-dessous. Une règle simple : servir chaud les aliments chauds, servir froid les aliments froids. Utilisez des réchauds ou plaques chauffantes pour garder les aliments chauds pendant le service. Utilisez des bains d'eau glacée pour garder au froid les aliments froids. Ne jamais laisser des aliments à la température ambiante pendant plus de deux (2) heures - 1 heure si la température ambiante est 32oC (90oF) ou au-dessus. Lorsque vous emballez les aliments pour un pique-nique, assurez-vous que les aliments sont déjà refroidis rapidement lorsqu'ils sont mis dans le panier à pique-nique isotherme. Le panier à pique-nique ne refroidira pas les aliments – il garde simplement les aliments froids lorsqu'il est emballé correctement avec de la glace. Les aliments cuits chauds doivent être placés dans des conteneurs peu profonds et immédiatement réfrigérés pour qu'ils se refroidissent rapidement. Assurez-vous de bien couvrir les aliments après qu'ils sont froids.

REMARQUE : Des considérations particulières doivent être prises lors de l'utilisation de venaison ou d'autre gibier sauvage, puisqu'ils peuvent devenir très contaminés durant l'opération de dépouille. La venaison est souvent gardée à des températures qui pourraient potentiellement permettre la croissance de bactéries, tel que lorsque celle-ci est transportée. Se référer au Département de la viande et de la volaille de l'USDA (USDA Meat and Poultry Department) pour d'autres questions ou informations sur la sécurité de la viande et des aliments.

INFORMATIONS SUR LES SAUCISSES

CHOIX DE VIANDE POUR LA FABRICATION DE SAUCISSE

La fabrication de saucisse s'est développée au cours des nombreuses années et générations, et il en résulte qu'un nombre incalculable de type de saucisses peuvent être fabriquées en utilisant les ingrédients de base de la viande, matière grasse et quelques épices soigneusement mélangées. Ci-dessous, vous trouverez quelques indications simples qui vous aideront à faire des saucisses avec le meilleur goût possible.

Tout type de viande peut être utilisé pour faire des saucisses : porc, bœuf, bison, original et caribou, même l'antilope font de la très bonne saucisse. Il est important lors de la préparation de venaison ou d'autres viandes de gibier rouges d'enlever la matière grasse de la viande, car le suif de gibier rouge rancira en aussi peu que cinq jours. Remplacez la matière grasse avec soit de la graisse de porc ou de bœuf, suivant le type de produit que vous faites, à un taux de 0,5 kg (1 livre) de graisse pour chaque 1,8 g (4 livres) de viande de gibier.

La teneur en matière grasse de vos saucisses affectera le goût, la texture, les caractéristiques de cuisson et la durée de conservation de votre produit. La plupart des saucisses fabriquées commercialement ont une teneur en matière grasse d'environ 20%. En utilisant moins de 12% de matière grasse, vous obtiendrez des saucisses avec un goût très sec, alors que si vous utilisez plus de 20%, cela peut résulter en des saucisses collantes et sans goût qui seront très difficiles à cuire.

SAUMURAGE

Il est important de saumer correctement les viandes pour conserver la viande et la volaille, et pour détruire les microorganismes indésirables sur les surfaces de la viande qui causent la détérioration et des maladies d'origine alimentaire. Il y a de nombreuses étapes qui aident à ce processus, y compris la fumaison, la cuisson, le séchage, le refroidissement rapide et l'addition d'ingrédients de saumure. Le plus ancien moyen d'accomplir cela est en introduisant le sel dans la viande. La résistance des bactéries au sel varie beaucoup parmi les différents types de bactéries. Le développement de certaines bactéries est inhibé par des concentrations en sel aussi basses que 3%, par exemple, Salmonella, alors que d'autres types peuvent survivre dans de plus hautes concentrations en sel, par exemple, Staphylococcus. Heureusement, le développement de nombreux microorganismes indésirables normalement trouvés dans les viandes et produits de volaille saumurés est inhibé à des basses concentrations de sel.

Le saumurage moderne est basé sur les Nitrates et est très scientifique. Achetez le sel de salage rose Weston (02-0000-W) et suivez les instructions fournies pour vous assurer que vous faites correctement votre saucisse maison.

BOYAUX

Weston offre une variété complète de boyaux. Le bon choix dépend de la préférence personnelle aussi bien que le type de saucisse que vous désirez faire. Pour la plupart des saucisses, vos choix sont "naturel" ou "collagène". Ne laissez pas les noms vous tromper; les boyaux en collagène ne sont pas un produit synthétique. Ils sont fabriqués à partir de peau de bœuf et d'autres tissus. Les boyaux en collagène sont uniformes en taille et en texture et ne nécessitent presque aucune préparation. Les boyaux "Naturels" sont les intestins d'agneau, de mouton, porc ou bœuf. Ils sont moins uniformes en taille et nécessitent une préparation. Il existe également des boyaux non comestibles en matière fibreuse qui sont le plus couramment utilisés pour le saucisson d'été et la mortadelle.

TYPES DE SAUCISSE

La plupart des saucisses se situent dans une des quatre catégories : Fraîche, Fumée, Cuite ou Sèche. Toutes les saucisses, sauf les sèches, exigent l'entreposage frigorifique. Il y a aussi une sous-catégorie de saucisses fumées non cuites.

Parmi les saucisses fraîches et fumées non cuites, vous trouverez des arômes tels que la kielbasa ou saucisse polonaise, saucisse italienne, saucisse petit déjeuner et beaucoup d'autres. Les saucisses fraîches aussi bien que les saucisses fumées non cuites doivent être cuites avant de les manger et elles nécessitent aussi l'entreposage frigorifique.

Les saucisses fumées et cuites comprennent le salami, le saucisson de Bologne, les toujours aussi populaires hot-dogs et de nombreux autres. La fumaison correcte nécessite un four ou appareil pour fumer les aliments. Ceux-ci peuvent être simplement des structures faites maison à partir de bidons Weston offre des fumeurs extérieurs au propane dans une panoplie de grosseurs (41-0701-W, 41-0301-W, ou 41-0401-W). La plupart des saucisses fumées sont réchauffées avant de servir. Un grand nombre de personnes pensent qu'une saucisse fumée durera plus longtemps sans altération, mais cela n'est pas vrai. Les saucisses fumées doivent être traitées de la même manière que les saucisses fraîches en termes d'entreposage.

Les saucisses sèches exigent le temps de transformation le plus long, puisqu'elles sont séchées à l'air pendant une longue période de temps. Weston offre des fumeurs extérieurs au propane dans une panoplie de grosseurs (41-0701-W, 41-0301-W, ou 41-0401-W). Les conditions sous lesquelles la viande est séchée sont très exigeantes; la température, la durée et l'humidité doivent toutes être soigneusement surveillées pour avoir un produit sûr et délicieux.

ENTREPOSAGE

Pour obtenir de meilleures saveurs, nous recommandons le scellage sous vide pour les saucisses fraîches, puis de les entreposer dans le réfrigérateur (à court terme) ou au congélateur (à long terme). Weston fabrique une variété d'appareils d'emballage sous vide. Demandez au détaillant où vous avez acheté cet appareil de vous parler de sa sélection. Conservez les produits salés à sec dans du papier ou un autre emballage qui respire, non réfrigéré.





UN AN DE GARANTIE WESTON LIMITÉE

La présente garantie s'applique aux produits, achetés et utilisés aux États-Unis et au Canada, qui ont été dûment enregistrés dans un délai de 30 jours à compter de la date d'achat initiale. La présente garantie est la seule garantie expresse pour ce produit et remplace toute autre garantie ou condition. Ce produit est garanti contre tout défaut de matériaux et de fabrication pour une durée d'un (1) an à compter de la date d'achat initiale. Au cours de cette période, votre seul recours est la réparation ou le remplacement de ce produit ou de tout composant s'avérant défectueux, à notre gré.

Pour enregistrer votre produit : remplissez le formulaire en ligne à l'adresse www.WestonSupply.com/Warranty

La présente garantie ne couvre pas les produits non enregistrés, ni les réparations ou services après-vente non autorisés, les produits vendus « tels quels » par les détaillants, le verre, les filtres et l'usure normale d'utilisation, toute utilisation non conforme aux directives écrites, ni les dommages au produit résultant d'un accident, d'une modification, d'une utilisation abusive ou incorrecte. La présente garantie est valable uniquement pour l'acquéreur initial ou le destinataire du cadeau et n'est pas cessible. Veuillez conserver le ticket de caisse d'origine, puisqu'une preuve d'achat est requise pour toute réclamation de garantie. La présente garantie devient caduque si le produit est soumis à une tension ou forme d'onde autre que celle indiquée sur l'étiquette (par ex., 120 V ~ 60 Hz).

Aucune réclamation en cas de dommages spéciaux, consécutifs ou indirects résultant du non-respect de toute garantie expresse ou implicite ne sera prise en compte.

Toute responsabilité se limite au montant du prix d'achat. Toute garantie implicite, notamment toute garantie légale, condition de commercialité ou d'adaptation à une fin particulière, est exclue, sauf dans la mesure où cela est interdit par la loi en vigueur, auquel cas cette garantie ou condition est limitée à la durée de la présente garantie écrite. La présente garantie vous confère des droits juridiques spécifiques. Vous pouvez également bénéficier d'autres droits juridiques qui varient selon l'endroit où vous vivez. Certains États ou provinces n'autorisent pas de limitations sur les garanties implicites ou sur les dommages spéciaux, consécutifs ou indirects, de sorte que les limitations susmentionnées pourraient ne pas vous concerner.

Avant de retourner le produit pour réparation ou entretien : il doit être propre et exempt de toute particule de nourriture ou d'autres débris; sans quoi nous serons dans l'obligation de vous le retourner ou nous vous facturerons des frais de nettoyage de 50 dollars, à notre gré.

Pour procéder à une réclamation de garantie : allez à l'adresse www.WestonSupply.com/Contact;

ou appelez le 1.800.814.4895 pour les États-Unis et le 001.216.901.6801 hors des États-Unis, du lundi au vendredi, de 8 h à 17 h HNE. Tous les frais liés à l'envoi du produit, frais de transport prépayés inclus, sont à votre charge.

Si le produit remplit les conditions pour une réparation ou un remplacement sous garantie, les frais de retour seront à notre charge. Nous déclinons toute responsabilité en cas de dommages dus au transport.

Pour toute réparation sans garantie : appelez le 1.800.814.4895 pour les États-Unis et le 001.216.901.6801 hors des États-Unis, du lundi au vendredi, de 8 h à 17 h HNE, pour obtenir un numéro d'autorisation de retour de marchandises (numéro de RMA). Tout envoi expédié sans numéro de RMA sera refusé. Tout diagnostic, travail d'entretien, de réparation ou de traitement sera facturé 35 USD/heure. Aucun travail d'entretien ou de réparation ne sera effectué sans autorisation préalable. Tous les frais liés à l'envoi du produit, frais de transport prépayés inclus, ainsi que ceux de retour sont à votre charge.

ATTENTION!

PLEASE INSPECT THIS PACKAGE THOROUGHLY FOR MISSING PARTS OR ANY PRODUCT DAMAGE. IF YOUR PRODUCT CONTAINS SHIPPING DAMAGE, PLEASE CONTACT RETAILER FOR ASSISTANCE.

For all other questions regarding product usage, missing parts, product damage, difficulty or warranty activation, please contact the Weston Brands Customer Service Team:
8:00 am to 5:00 pm ET, Monday thru Friday

Customer.Service@WestonBrands.com

U.S. Residents Customer Service Line: 1-800-814-4895 (Outside U.S. Call: 001-216-901-6801)

Weston Brands, LLC, Southern Pines, NC 28387

WestonSupply.com

Please DO NOT return this item to the retailer before contacting
Weston Brands Customer Service.

SAVE THESE INSTRUCTIONS!

Refer to them often and use them to instruct others.

ATTENTION!

VEUILLEZ INSPECTER CET EMBALLAGE AVEC SOIN POUR Y DÉTECTER
TOUTE PIÈCE MANQUANTE OU ENDOMMAGÉE.
SI DES PIÈCES ONT ÉTÉ ENDOMMAGÉES PENDANT LE TRANSPORT, VEUILLEZ
COMMUNIQUER AVEC LE DÉTAILLANT POUR OBTENIR DE L'AIDE.

Pour toutes les autres questions concernant l'utilisation du produit, les pièces manquantes, les problèmes ou l'activation de la garantie, veuillez communiquer avec l'équipe du service clientèle des produits Weston:
de 8:00 à 17:00 HNE, du lundi au vendredi.

Customer.Service@WestonBrands.com

Numéro de téléphone du service clientèle pour les résidents des É.-U. : 1-800-814-4895

Numéro de téléphone à l'extérieur des É.-U. : 001-216-901-6801 Weston Brands, LLC,

Weston Brands, LLC, Southern Pines, NC 28387

WestonSupply.com

Veillez communiquer avec le service clientèle des produits Weston AVANT de retourner
cet appareil au détaillant.

CONSERVER CES DIRECTIVES!

Veillez les consulter fréquemment et les utiliser pour la formation.

¡ATENCIÓN!

REVISE COMPLETAMENTE EL ENVASE Y COMPRUEBE QUE NO FALTEN PARTES O QUE ALGÚN PRODUCTO ESTÉ DAÑADO. SI EL PRODUCTO ESTÁ DAÑADO POR EL TRANSPORTE, SOLICITE ASISTENCIA AL DISTRIBUIDOR.

Para todas aquellas preguntas referentes al uso del producto, partes faltantes, daño del producto, dificultad o activación de la garantía, comuníquese con el equipo de servicio al cliente de weston Brands:
desde las 8:00 am hasta las 5:00 pm ET, de lunes a viernes

Customer.Service@WestonBrands.com

Línea de Servicio al Cliente para Residentes de EE.UU.: 1.800.814.4895 (Fuera de EE.UU., llame al: 001-216-901-6801) Weston Brands, LLC, Southern Pines, NC 28387

WestonSupply.com

NO devuelva este artículo al vendedor minorista antes de comunicarse con Servicio al Cliente de
Weston Brands.

¡GUARDE ESTAS INSTRUCCIONES!

Consulte estas instrucciones y úselas para enseñar sobre el uso de este producto a otras personas.