

Hamilton Beach®

COMMERCIAL

SOUS VIDE IMMERSION CIRCULATOR

Operation Manual –
Page 2

THERMOSTAT D'IMMERSION POUR CUISSON SOUS VIDE

Manuel d'utilisation –
Page 8

CIRCULADOR DE INMERSIÓN SOUS VIDE

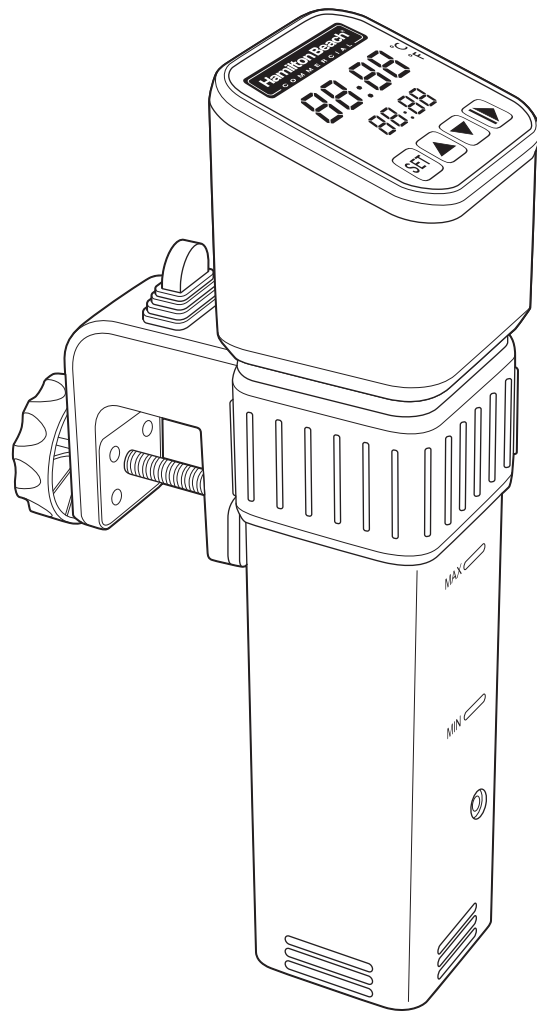
Manual de Operación –
Pagina 14

READ BEFORE USE.

LIRE AVANT D'UTILISER.

LEA ANTES DE USAR.

Le invitamos a leer cuidadosamente este
instructivo antes de usar su aparato.



Model HSV1000
Model HSV1000
Modelo HSV1000

840305602
04/19

Immersion Circulator Safety

IMPORTANT: This operation manual should be reviewed with all equipment operators as part of your operator training program.

Your safety and the safety of others is very important.

We have provided many important safety messages in this manual and on your machine. Always read and obey all safety messages.



This is the safety alert symbol.

This symbol alerts you to hazards that can kill or hurt you and others.

All safety messages will be preceded by the safety alert symbol and the word "WARNING."

This word means:

! WARNING

You may be killed or seriously injured if you don't follow instructions.

All safety messages will identify the hazard, tell you how to reduce the chance of injury, and tell you what can happen if the instructions are not followed.

IMPORTANT SAFEGUARDS

WARNING – When using electrical appliances, basic safety precautions should always be followed to reduce the risk of fire, electric shock, and/or injury to persons, including the following:

1. Read all instructions.
2. This appliance is not intended for use by persons with reduced physical, sensory, or mental capabilities, or lack of experience and knowledge, unless they are closely supervised and instructed concerning use of the appliance by a person responsible for their safety.
3. This appliance shall not be used by children. Keep the appliance and its cord out of reach of children.
4. Close supervision is necessary when any appliance is used near children. Children should be supervised to ensure that they do not play with the appliance.
5. Do not touch hot surfaces. Use handles or knobs.
6. To protect against electric shock, do not immerse cord, plug, or main body in water or other liquid.
7. Unplug the appliance before removing it from the liquid.
8. Turn the appliance off by pressing and holding start/stop button (▶); then unplug from outlet when not in use, before putting on or taking off parts, and before cleaning. To unplug, grasp the plug and pull from the outlet. Never pull from the power cord.
9. Do not operate any appliance with a damaged supply cord or plug, or after the appliance malfunctions or has been dropped or damaged in any manner. Supply cord replacement and repairs must be conducted by the manufacturer, its service agent, or similarly qualified persons in order to avoid a hazard. Call the provided customer service number for information on examination, repair, or adjustment.
10. The use of accessory attachments not recommended or sold by the appliance manufacturer may cause a risk of injury to persons.
11. Do not use outdoors.
12. Do not let cord hang over edge of table or counter, or touch hot surfaces, including the stove.
13. Do not place on or near hot gas or an electric burner, or in a heated oven.
14. Extreme caution must be used when moving an appliance containing hot oil or other hot liquids.
15. To disconnect the appliance, press the start/stop button (▶); then remove plug from wall outlet. To unplug, grasp the plug and pull from the outlet. Never pull from the power cord.
16. Do not use appliance for other than intended use.
17. Do not use with any liquids other than water.
18. Do not operate the appliance dry, outside of water.
19. After unplugging the appliance, the stainless steel housing and heater will remain hot and should not be touched or placed on combustible surfaces. Allow unit to cool before handling.
20. Do not immerse the appliance above the MAX water level line. The enclosure water ingress rating is IPX7; short-term immersion. If the appliance becomes completely submerged, do not reach into the water. Unplug the appliance and allow it to cool before removing from the water. Allow the appliance to dry completely before use.
21. Do not operate the appliance by means of an external timer or separate remote-control system.

– SAVE THESE INSTRUCTIONS –

NOTE: Failure to follow cleaning instructions will void the warranty. Minimise the use of alkaline cleaners to avoid damage to the finish.

For Commercial Use Only

Other Consumer Safety Information

This appliance is only intended for the preparation, cooking, and serving of foods. This appliance is not intended for use with any nonfood materials or products.

⚠ WARNING Electrical Shock Hazard: This appliance is provided with a grounded (3-prong) plug to reduce the

risk of electric shock. Do not defeat the safety purpose of the plug by modifying the plug in any way or by using an adapter. If the plug does not fit into the outlet, have an electrician replace the outlet.

⚠ WARNING



Electrical Shock Hazard
Plug into a grounded outlet.
Do not remove ground.
Do not use an adapter.
Do not use an extension cord.
Do not submerge above the MAX line.
Failure to follow these instructions can result in death, fire, or electrical shock.



Recycling the Product at the End of Its Service Life

The wheeled bin symbol marked on this appliance signifies that this equipment should be taken over by a selective collection system conforming to the WEEE Directive so that it can be either recycled or dismantled in order to reduce any impact to the environment. The user is responsible for returning the product to the appropriate collection facility, as specified by your local code. For additional information regarding applicable local laws, please contact the municipal facility and/or local distributor.

Technical Services

For assistance or replacement parts, call or email

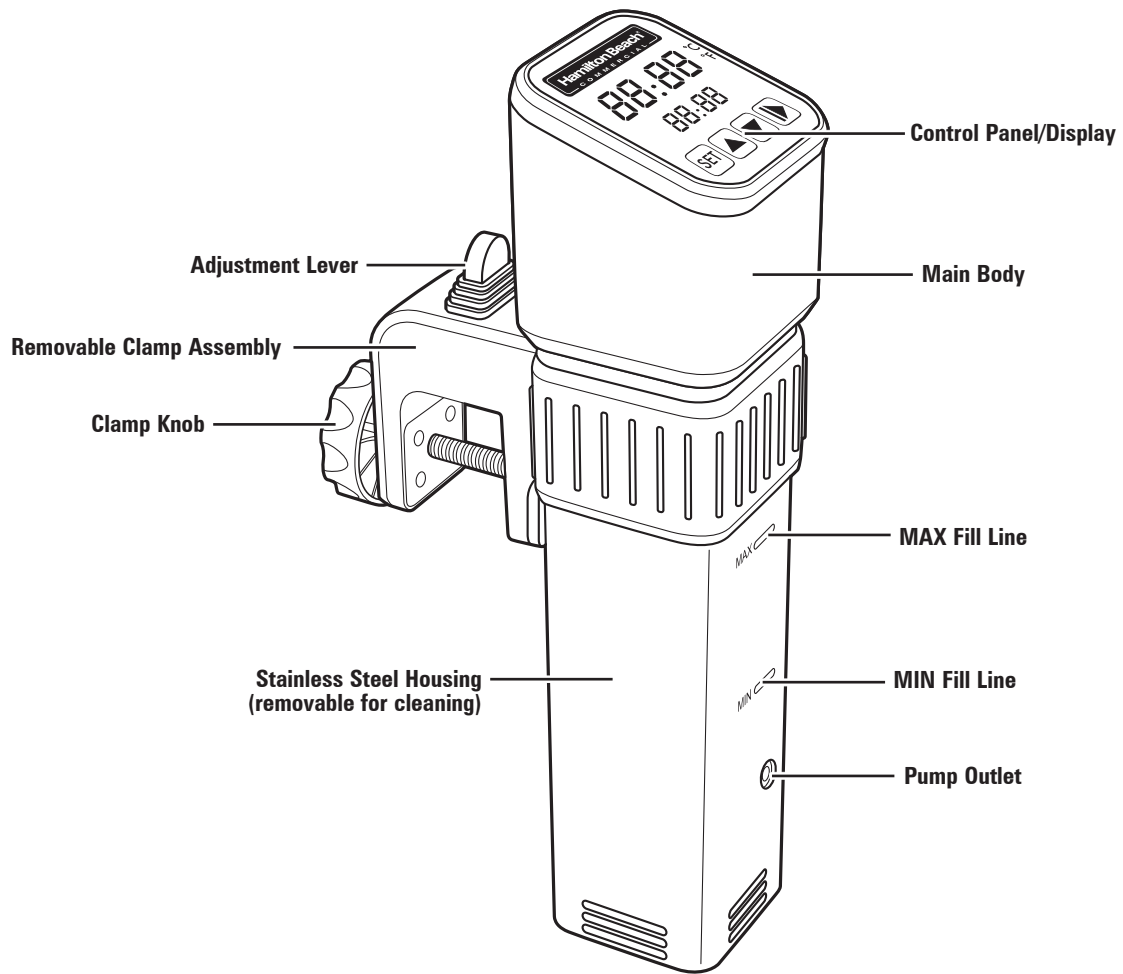
Technical Services:

866-285-1087 (USA, Canada) or +1-910-693-4277
commercial.support@hamiltonbeach.com

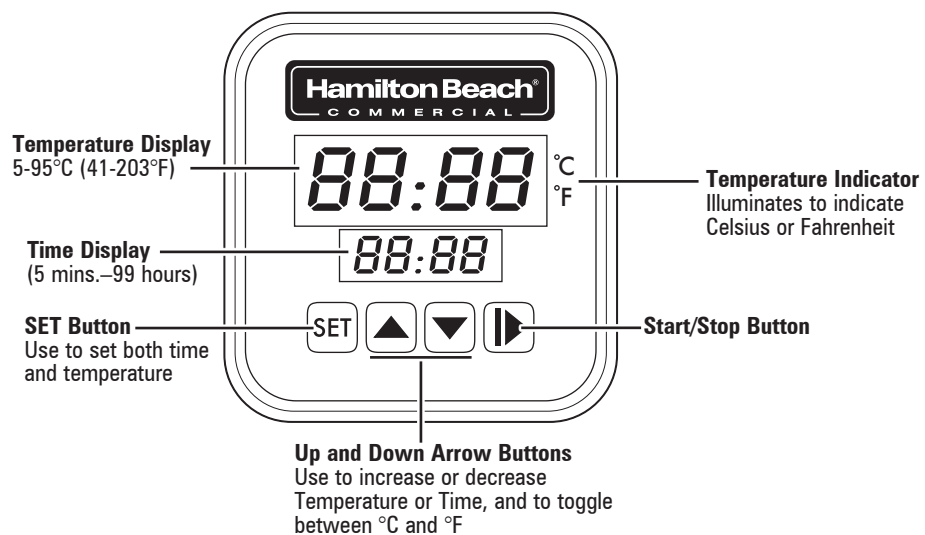
APAC Region: +86-400-930-2722,
hbcapac.support@hamiltonbeach.com

www.hamiltonbeachcommercial.com

Parts and Features



Using the Control Panel/Display



Before You Begin

⚠ WARNING Electrical Shock Hazard. Do not submerge above the MAX water level line. If the appliance should become completely submerged, unplug—do not reach into water—and allow it to cool before removing it from the water. Allow the appliance to dry out completely before use.

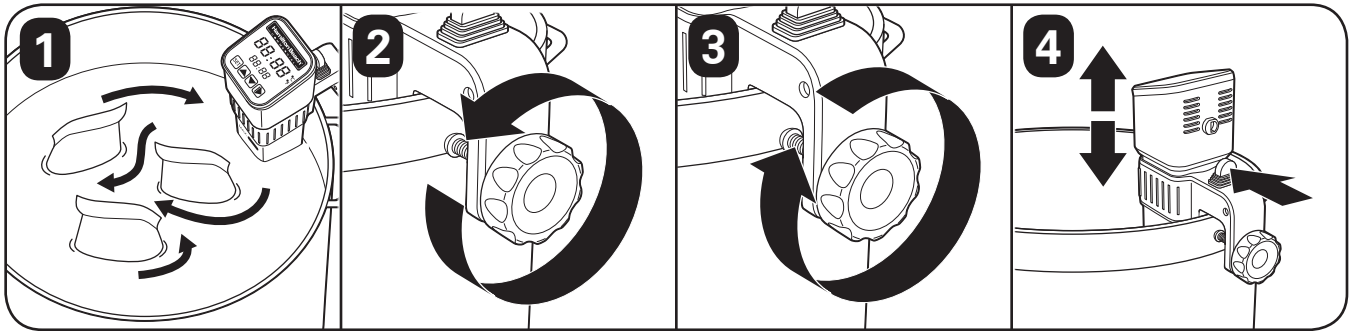
NOTE: All foods must be sealed before immersing in water. Never add unsealed foods to water.

Do not plug in the Immersion Circulator until you have completed the following steps:

1. Choose a rigid plastic or metal vessel or container that can hold up to 30 L (8 gallons), is suitably rated for temperatures above 95°C (203°F), and is at least 12 cm (4 1/2") or greater in depth. Water should never be above MAX Fill Line or below MIN Fill Line; add or remove water if necessary. The vessel should be large enough to allow water to circulate between and around sealed food. Water will circulate even if base of Stainless Steel Housing is resting on vessel bottom.
2. To secure Clamp Assembly to vessel or container, loosen Clamp Knob by turning it counterclockwise.
3. Slide Clamp Assembly of Circulator onto side of container and secure Clamp Assembly by turning Clamp Knob clockwise until it clicks; this prevents overtightening.
4. The Circulator can be adjusted up or down by pushing Adjustment Lever towards Circulator.

NOTE: The Clamp Assembly Adjustment Lever allows Circulator to be removed from vessel for cooling or cleaning without having to remove Clamp Assembly.

5. Fill the vessel with water. Keep in mind that when your sealed food is added, the water level could rise above the MAX Fill Line. Always keep water level between MAX and MIN Fill Lines.



Operation

1. If necessary, adjust water level, then plug Immersion Circulator into outlet.

NOTE: This Circulator has an internal memory feature that allows it to stop and start at same point of operation when last unplugged. Always press **▶** (Start/Stop) Button until light is no longer illuminated before unplugging. When Circulator is plugged in again, the display will light up, then show current water temperature and previous time set.

2. Press and hold both **▲** and **▼** Buttons for 5 seconds to toggle between °C and °F. The default temperature is in Celsius.
 3. Press **SET** (SET) Button to change time and temperature settings. Time or temperature will flash to indicate which setting is being adjusted.
 4. Press **SET** (SET) Button once to select temperature. Temperature will flash, indicating temperature can be adjusted.
 5. Press **▲** or **▼** Button to adjust temperature.
 6. Press **SET** (SET) Button again and time will flash, indicating time can be adjusted.
 7. Press **▲** or **▼** Button to adjust to desired cooking time. Press **SET** (SET) Button again to save adjusted time.
- NOTE:** If **SET** (SET) Button is pressed with no change to temperature or time, display will stop flashing in 12 seconds.

8. Press **▶** (Start/Stop) Button. Water begins heating and Temperature Display shows current water temperature. Circulator beeps when set temperature is reached.
9. For even cooking, add pouches to water, making sure pouches do not touch and water can circulate around each. Press **▶** (Start/Stop) Button to start timer countdown and ":" will flash on Time Display.
10. Circulator will beep once when timer reaches 00:00 and will continue to maintain set temperature until Start/Stop Button is pressed. Press and hold **▶** (Start/Stop) Button until light is no longer illuminated and "OFF" is on display. Unplug.

Cleaning and Maintenance

⚠ WARNING Electrical Shock Hazard. Disconnect power before cleaning. Do not submerge cord, plug, or unit in any liquid.

General Cleaning After Regular Use

1. Dry Circulator and Clamp Assembly with a soft cloth before storing.
2. **To remove Clamp Assembly:** Remove Circulator from Clamp Assembly by pushing and holding Clamp Assembly Adjustment Lever towards Circulator. This allows the Clamp Assembly to slide down and off Circulator, or for Circulator to be pulled up to remove.

Heavy Cleaning After Prolonged Use

Clean (CLEAR) Cycle

When this cycle is running, the Immersion Circulator is programmed to operate for 3 hours once the vinegar/water temperature reaches "80°C" (176°F).

NOTE: CLEAR will show in display after 100 uses. When this appears, complete the steps below:

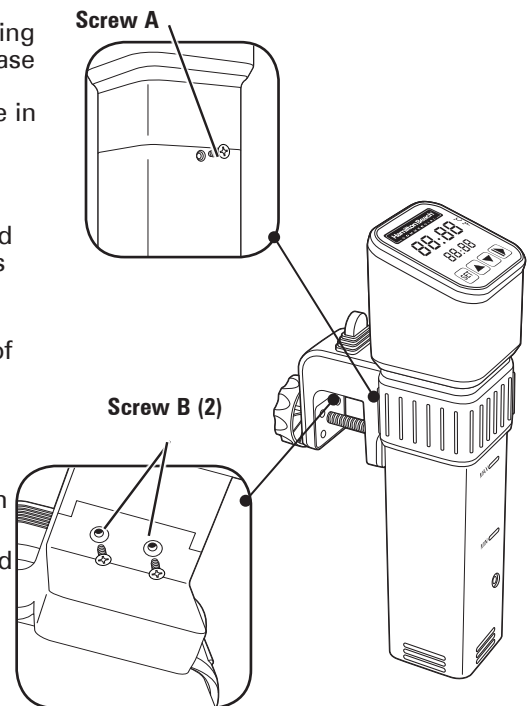
1. Unplug Circulator and allow to cool before removing from water.
2. Attach Circulator to vessel, add 1:9 solution of white vinegar to water. Vinegar solution should always be between MIN and MAX Fill Lines on Stainless Steel Housing.
3. Plug into outlet while pressing and holding **(SET)** (SET) and **▼** buttons until a cycle count appears.
NOTE: "1.0" will display at the first cleaning cycle and will count up for each subsequent cleaning cycle.
4. Release buttons; default cleaning settings of "80°C" (176°F) and "03:00" will appear on display.
5. Press **(▶)** (Start/Stop) Button to start Clean Cycle. Once temperature is reached, press **(▶)** (Start/Stop) Button for timer to begin.
6. When "00:00" appears in display the unit will beep and Clean Cycle is complete, press **(▶)** (Start/Stop) Button to stop the cycle.

Cleaning the Stainless Steel Housing

1. **To remove Stainless Steel Housing:** Using a Phillips-head screwdriver, turn Screw A on back of Stainless Steel Housing counterclockwise to remove, and slide Stainless Steel Housing down. Stainless Steel Housing is dishwasher-safe.
2. **To replace Stainless Steel Housing:** Slide Housing over coils, aligning Stainless Steel Housing Screw A opening with screw opening on base of Circulator. Insert Stainless Steel Housing Screw A into opening. Using a Phillips-head screwdriver, turn Screw A clockwise to secure in place.

Cleaning the Clamp Assembly

1. Remove Immersion Circulator from Clamp Assembly by pushing and holding Clamp Assembly Adjustment Lever towards Circulator. This allows the Clamp Assembly to slide down and off Circulator, or for Circulator to be pulled up to remove.
2. Using a Phillips-head screwdriver, turn one Screw B on underside of Clamp Assembly counterclockwise to remove; repeat process with second Screw B.
3. While holding Clamp Knob in one hand and other half of Clamp Assembly with other hand, pull apart to separate.
4. **To remove silicone cover on Adjustment Lever to clean:** Pull up on cover and wash in hot, soapy water. Rinse and dry.
5. **To reassemble Clamp Assembly:** Slide the two pieces together, and using a Phillips-head screwdriver, turn one Screw B clockwise until secure; repeat with remaining Screw B.



Troubleshooting

Circulator will not turn on.

- Check to ensure that Immersion Circulator is securely plugged into an electrical outlet.
- Check to see if there is a problem with the outlet, if fuse for electrical outlet has blown, or if a circuit breaker has tripped.

Water temperature is not rising.

- The water temperature may be close to set (programmed) temperature. Check set temperature.
- Temperature sensor may not be working. Call Technical Services for assistance.
- Heater may not be working. Call Technical Services for assistance.

Water temperature is above set temperature.

- Temperature sensor may not be working. Restart Circulator.
- Water may not be circulating. Call Technical Services for assistance.

H₂O shows on display.

- Circulator may not be in water. Add Circulator to water and follow instructions in “Before You Begin” section.
- Water level may be too low or too high. Add or remove water as needed, making sure water is between the MIN and MAX Fill Lines.

Circulator is on, but Control Panel shows no display.

- Call Technical Services for assistance.

Circulator is making high-pitched noise.

- There may be air inside of the pump. Loosen Clamp Assembly; keeping Circulator in water, shake Circulator a few times to discharge air from pump propeller.
- There may be debris inside pump. Follow instructions in “Cleaning and Maintenance” section.

CLER shows on display.

- Circulator needs to be cleaned. Follow instructions in “Cleaning and Maintenance” section.

E02 shows on display.

- Heater may not be functioning. Unplug and discontinue use. Call Technical Services for assistance.

Water flow rate has decreased.

- See “Clean (CLER) Cycle” in “Cleaning and Maintenance” section.

Sécurité concernant le thermostat d'immersion

IMPORTANT : Ce manuel d'utilisation devrait être examiné en présence de tous les opérateurs de l'équipement, dans le cadre de votre programme de formation des opérateurs.

Votre sécurité et la sécurité des autres est très importante.

Nous avons inclus de nombreuses consignes de sécurité importantes dans ce manuel et sur votre appareil. Veuillez toujours lire et respecter toutes les consignes de sécurité.



Voici le symbole d'avertissement.

Ce symbole vous avertit des dangers susceptibles de vous tuer ou de vous blesser ou de tuer ou blesser les autres.

Toutes les consignes de sécurité seront précédées du symbole d'avertissement et du mot « AVERTISSEMENT ». Ce mot signifie :



Vous pouvez être tué ou gravement blessé si vous ne suivez pas les instructions

Toutes les consignes de sécurité identifieront les dangers, vous informeront comment réduire les risques de blessure et vous diront ce qui peut se produire si les instructions ne sont pas respectées.

PRÉCAUTIONS IMPORTANTES

AVERTISSEMENT – Pour utiliser un appareil électroménager, vous devez toujours prendre des mesures élémentaires de sécurité pour réduire le risque d'incendie, d'électrocution et/ou de blessure corporelle, en particulier les mesures suivantes :

1. Lire toutes les instructions.
2. Cet appareil n'est pas destiné à être utilisé par des personnes dont les capacités physiques, sensorielles ou mentales sont réduites, ou manquant d'expérience et de connaissance, sauf si elles sont étroitement surveillées et instruites sur l'utilisation de l'appareil par une personne responsable de leur sécurité.
3. Cet appareil ne devrait pas être utilisé par des enfants. Garder l'appareil et son cordon hors de la portée des enfants.
4. Une surveillance étroite est requise pour tout appareil utilisé près des enfants. Surveiller que les enfants ne jouent pas avec l'appareil.
5. Ne pas toucher les surfaces chaudes. Utiliser les poignées ou les boutons.
6. Pour protéger contre les chocs électriques, ne pas immerger le cordon d'alimentation, la fiche ou la partie principale dans l'eau ou tout autre liquide.
7. Débranchez l'appareil avant de le retirer du liquide.
8. Éteindre l'appareil en appuyant sur le bouton marche/arrêt (▶), et débrancher ensuite de la prise lorsqu'il n'est pas utilisé, avant d'installer ou d'enlever des pièces et avant de le nettoyer. Pour débrancher, saisir la fiche et la retirer de la prise. Ne pas tirer sur le cordon d'alimentation.
9. Ne pas faire fonctionner un appareil électroménager avec un cordon ou une fiche endommagée, ou lorsque l'appareil ne fonctionne pas bien ou a été échappé ou endommagé d'une manière quelconque. Le remplacement et la réparation du cordon d'alimentation doivent être faits par le fabricant, son agent de service ou toute personne qualifiée de façon à éviter tout danger. Appeler le numéro de service à la clientèle fourni pour des renseignements concernant l'examen, la réparation ou l'ajustement.
10. L'utilisation d'accessoires non recommandés ou non vendus par le fabricant de l'appareil peut entraîner un risque de blessures corporelles.
11. Ne pas utiliser à l'extérieur.
12. Ne pas laisser le cordon pendre du bord de la table ou du comptoir, entrer en contact avec les surfaces chaudes, y compris le four.
13. Ne pas placer sur ou près de surfaces chaudes comme un brûleur électrique ou à gaz, ou dans un four chaud.
14. Une grande précaution doit être prise lors du déplacement d'un appareil électroménager contenant de l'huile chaude ou autres liquides chauds.
15. Pour débrancher, appuyer sur le bouton marche/arrêt (▶). Retirer ensuite la fiche de la prise murale. Pour débrancher, saisir la fiche et la retirer de la prise. Ne pas tirer sur le cordon d'alimentation.
16. Ne pas utiliser l'appareil électroménager à une fin autre que celle prévue.
17. Ne pas utiliser avec d'autres liquides que de l'eau.
18. Ne faites pas fonctionner l'appareil à sec, hors de l'eau.
19. Après avoir débranché l'appareil, l'acier inoxydable le logement et le chauffage resteront chauds et ne doivent pas être touchés ou placés sur des surfaces combustibles. Autoriser l'unité refroidir avant de manipuler.
20. Ne pas immerger l'appareil au-dessus de la ligne de niveau d'eau MAX. L'indice de pénétration d'eau du boîtier est de IPX7, immersion de courte durée. Si l'appareil devient complètement immergé, ne pas plonger vos mains dans l'eau pour le récupérer. Débrancher l'appareil et laisser refroidir avant de le retirer de l'eau. Laisser l'appareil sécher complètement avant d'utiliser.
21. N'utilisez pas l'appareil au moyen d'une minuterie externe ou d'un système de télécommande séparé.

– CONSERVER CES INSTRUCTIONS –

REMARQUE : Le non-respect des instructions de nettoyage annulera la garantie. Limiter l'utilisation des nettoyeurs alcalins afin d'éviter d'endommager la finition.

Pour usage commercial seulement

Autres consignes de sécurité pour le consommateur

Cet appareil est destiné uniquement à la préparation, la cuisson et le service d'aliments. Cet appareil n'est pas conçu à utiliser avec tout matériel ou produit non alimentaire.

⚠ AVERTISSEMENT **Risque de choc électrique** : Cet appareil est fourni avec une fiche mise à la terre

(3 broches) afin de réduire le risque de choc électrique. Ne pas tenter de nuire au fonctionnement sécuritaire de la fiche en modifiant la fiche de quelque façon que ce soit ou en utilisant un adaptateur. Si la fiche ne s'insère toujours pas, demander à un électricien de remplacer la prise.

⚠ AVERTISSEMENT



Risque de choc électrique

La fiche s'insère dans une prise mise à la terre.

Ne pas retirer la mise à la terre.

Ne pas utiliser un adaptateur.

Ne pas utiliser de rallonge électrique.

Ne pas submerger au-dessus de la ligne MAX.

Le non-respect de ces instructions peut entraîner la mort, un incendie ou un choc électrique.



Recyclage du produit en fin de vie

Le symbole de poubelle à roulettes indiqué sur cet appareil signifie que cet équipement doit être pris en charge par un système de collecte sélective conforme à la directive DEEE afin qu'il puisse être recyclé ou démantelé afin de réduire tout impact sur l'environnement. Il incombe à l'utilisateur de renvoyer le produit au service de collecte approprié, comme spécifié par votre code local. Pour plus d'informations sur les lois locales applicables, veuillez contacter l'installation municipale et / ou le distributeur local.

Services techniques

Pour obtenir de l'aide ou des pièces de rechange, veuillez appeler ou envoyer un courriel aux Services techniques :

866-285-1087 (É.-U., Canada) ou +1-910-693-4277

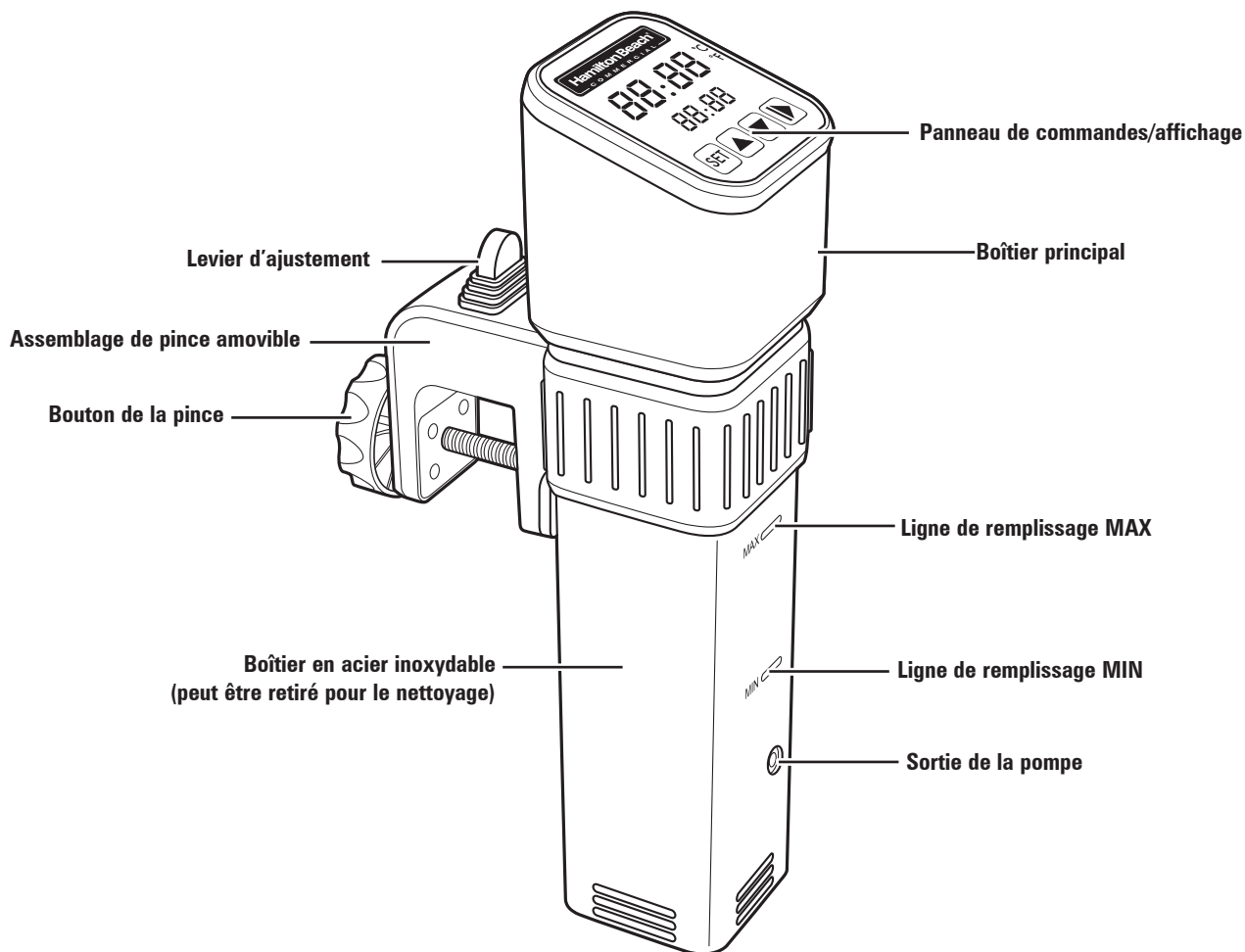
commercial.support@hamiltonbeach.com

Région APAC : +86-400-930-2722,

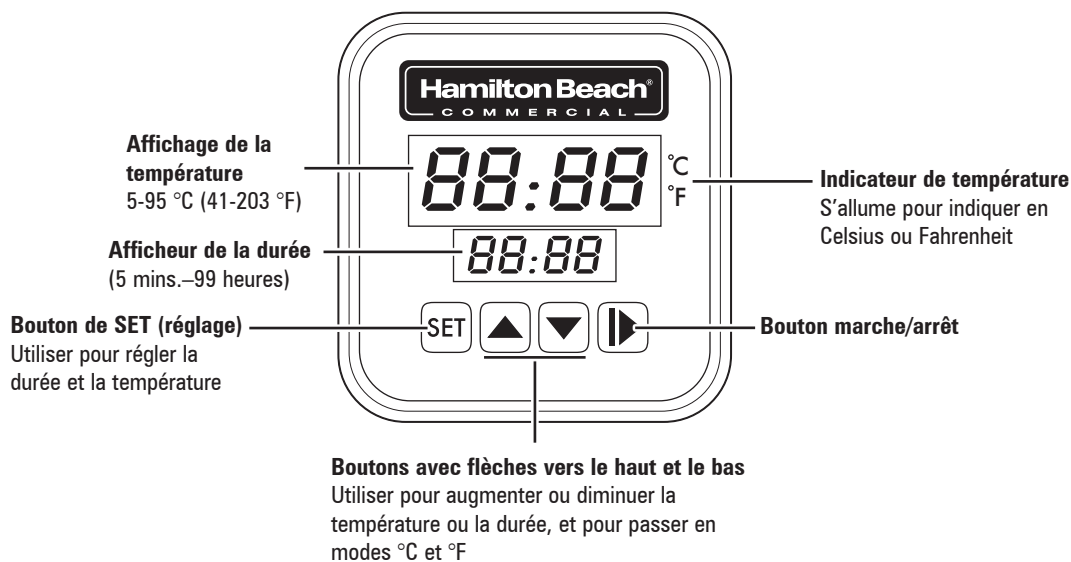
hbcapac.support@hamiltonbeach.com

www.hamiltonbeachcommercial.com

Pièces et caractéristiques



Utilisation du panneau de commandes/affichage



Avant de commencer

⚠ AVERTISSEMENT **Risque de choc électrique.** Ne pas submerger au-dessus de la ligne de niveau d'eau MAX. Si l'appareil est complètement submergé, débrancher – ne plongez pas votre main dans l'eau pour le récupérer – laissez l'appareil refroidir avant de le retirer de l'eau. Laissez l'appareil sécher complètement avant d'utiliser.

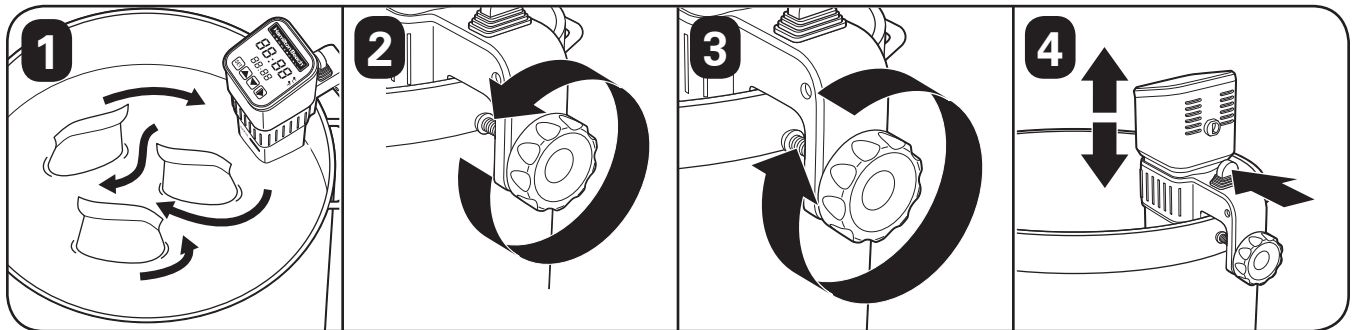
REMARQUE : Tous les aliments doivent être scellés avant de les immerger dans l'eau. Ne jamais ajouter d'aliments non scellés dans l'eau.

Ne pas brancher le thermostat d'immersion jusqu'à ce que vous ayez complété toutes les étapes suivantes :

1. Choisir un récipient solide en plastique ou en métal pouvant contenir jusqu'à 30 L (8 gallons), convenable pour soutenir des températures supérieures à 95 °C (203 °F) et d'une profondeur d'eau moins 12 cm (4,5 po). L'eau ne devrait jamais dépasser la ligne de remplissage MAX ou être en dessous de la ligne de remplissage MIN. Ajouter ou retirer de l'eau si nécessaire. Le récipient doit être suffisamment large pour permettre à l'eau de circuler autour des et entre les aliments scellés hermétiquement. L'eau circulera même si la base du boîtier en acier inoxydable repose au fond du récipient.
2. Pour fixer solidement l'assemblage de pince au récipient ou au contenant, desserrer le bouton de la pince en le tournant dans le sens antihoraire.
3. Glisser l'assemblage de pince du thermostat sur la paroi du contenant et fixer l'assemblage de pince en tournant le bouton de la pince dans le sens horaire jusqu'à ce qu'il s'enclenche. Ceci permet d'éviter de trop serrer.
4. Le thermostat peut être élevé ou abaissé en poussant le levier d'ajustement vers le thermostat.

REMARQUE : Le levier de l'assemblage de pince permet au thermostat d'être retiré du récipient pour refroidir ou pour nettoyer sans retirer l'assemblage de pince.

5. Remplis le récipient avec de l'eau. Veuillez tenir compte du fait que lorsque vous ajouterez des aliments, le niveau d'eau pourrait dépasser la ligne de remplissage MAX. Veuillez toujours garder le niveau d'eau entre les lignes de remplissage MIN et MAX.



Fonctionnement

1. Si nécessaire, ajuster le niveau d'eau et brancher ensuite le thermostat d'immersion dans la prise.

REMARQUE : Ce thermostat est doté d'une mémoire interne qui lui permet d'arrêter et de démarrer au même point de fonctionnement que lorsqu'il a été débranché lors de la dernière utilisation. Veuillez toujours appuyer sur le bouton (▶) (marche/arrêt) jusqu'à ce que le témoin lumineux soit éteint avant de débrancher. Lorsque le thermostat est branché à nouveau, l'afficheur s'illuminera et affichera ensuite la température actuelle de l'eau et le réglage précédent de la durée.

2. Appuyer et maintenir les boutons ▲ et ▼ pendant 5 secondes pour passer du mode °C au mode °F. La température par défaut est en Celsius.
3. Appuyer sur le bouton (SET) SET (réglage) pour modifier les réglages de la durée et de la température. La durée ou la température clignoteront pour indiquer lequel des réglages est ajusté.
4. Appuyer sur le bouton (SET) SET (réglage) une fois pour sélectionner la température. La température clignotera, indiquant que la température peut maintenant être modifiée.
5. Appuyer sur les boutons ▲ ou ▼ pour ajuster la température.
6. Appuyer sur le bouton (SET) SET (réglage) à nouveau et la durée clignotera indiquant que la durée peut maintenant être modifiée.
7. Appuyer sur les boutons ▲ ou ▼ pour ajuster la durée de cuisson souhaitée. Appuyer sur le bouton (SET) SET (réglage) à nouveau pour sauvegarder la durée ajustée.

REMARQUE : Si lorsque vous appuyez sur le bouton (SET) SET (réglage) et qu'il n'y a aucune modification de la température ou de la durée, l'afficheur cessera de clignoter après 12 secondes.

8. Appuyer sur le bouton (▶) (marche/arrêt). L'eau commencera à chauffer et l'afficheur indiquera la température actuelle de l'eau. Le thermostat émettra un bip sonore lorsque la température sera atteinte.
9. Pour réussir une cuisson uniforme, ajouter les sachets à l'eau, en veillant à ce que les sachets ne se touchent pas et que l'eau peut circuler autour de chacun d'eux. Appuyer sur le bouton (▶) (marche/arrêt) pour commencer le compte à rebours de la minuterie et «:» clignotera à l'écran.
10. Le thermostat émettra un bip sonore lorsque la minuterie atteindra 00:00 et continuera à maintenir la température réglée jusqu'à ce que vous appuyez sur le bouton marche/arrêt. Appuyer sur le bouton (▶) (marche/arrêt) et le maintenir jusqu'à ce que « OFF » apparaisse à l'écran. Débrancher.

Nettoyage et entretien

⚠ AVERTISSEMENT Risque de choc électrique :
Couper le courant avant le nettoyage. Ne pas immerger le
cordon d'alimentation, la fiche ou l'appareil dans tout liquide.

Nettoyage général après une utilisation régulière

1. Essuyer le thermostat d'immersion et l'assemblage de pince à l'aide d'un chiffon doux avant de ranger.
2. **Pour retirer l'assemblage de pince** : Retirer le thermostat d'immersion de l'assemblage de pince et poussant et en maintenant le levier d'ajustement de l'assemblage de pince vers le thermostat. Ceci permettra de glisser l'assemblage de pince vers le bas ou le retirer du thermostat, ou de tirer le thermostat pour le retirer.

Nettoyage intensif après une utilisation prolongée

Cycle de nettoyage (CLEA)

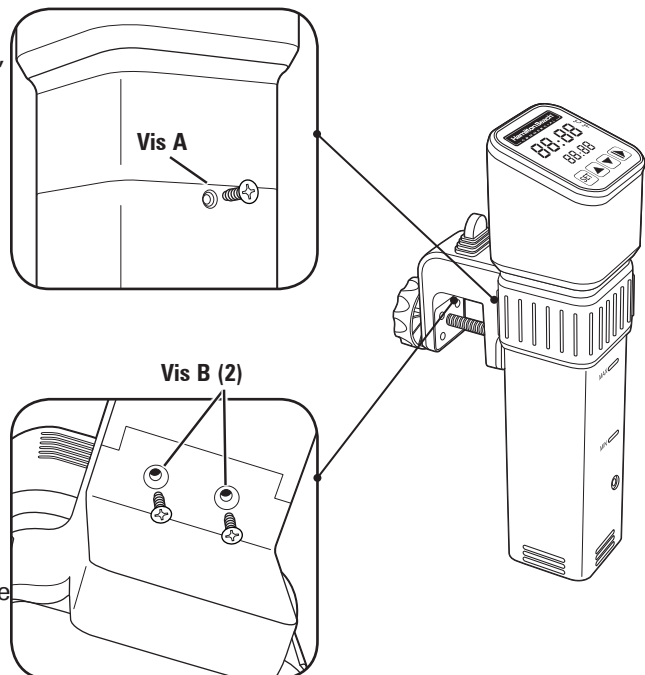
Lorsque ce cycle est en marche, le thermostat d'immersion est programmé pour fonctionner pendant 3 heures une fois que le mélange d'eau et de vinaigre atteint « 80 °C » (176 °F).

REMARQUE : CLEA s'affichera après 100 utilisations. Lorsque cela apparaît, procédez comme suit:

1. Débrancher le thermostat d'immersion et laisser refroidir avant de le retirer de l'eau.
2. Fixer le thermostat d'immersion au récipient, ajouter une solution composée d'une part de vinaigre pour 9 parts d'eau. Le niveau de la solution avec vinaigre doit toujours se situer entre les lignes de remplissage MIN et MAX indiquées sur le boîtier en acier inoxydable.
3. Brancher à la prise de courant en appuyant et en maintenant les boutons **SET** (réglage) et **▼** (bas) jusqu'à ce que le décompte du cycle apparaisse.
REMARQUE : L'écran affichera « 1.0 » au cours du premier cycle de nettoyage et fera le compte de chaque cycle de nettoyage ultérieur.
4. Relâcher les boutons; Les réglages de nettoyage par défaut de « 80 °C » (176 °F) et « 03:00 » apparaîtront à l'écran.
5. Appuyer sur le bouton **▶** (marche/arrêt) pour commencer le compte à rebours cycle de nettoyage. Un fois que la température est atteinte, appuyer sur le bouton **▶** (marche/arrêt) pour démarrer la minuterie.
6. Lorsque l'écran affiche « 00:00 », l'appareil émettra un signal sonore et le cycle de nettoyage sera terminé. Appuyer sur le bouton **▶** (marche/arrêt) pour arrêter le cycle.

Nettoyage le boîtier en acier inoxydable

1. **Pour retirer le boîtier en acier inoxydable** : À l'aide d'un tournevis Phillips, tourner la vis A du boîtier en acier inoxydable dans le sens antihoraire pour la retirer, et glisser le boîtier en acier inoxydable vers le bas. Le boîtier en acier inoxydable va au lave-vaisselle.
2. **Pour remettre en place le boîtier en acier inoxydable** : Glisser le boîtier par-dessus les spirales, en alignant l'ouverture de la vis A du boîtier en acier inoxydable avec l'ouverture de la vis sur la base du thermostat. Insérer la vis A du boîtier en acier inoxydable dans l'ouverture. À l'aide d'un tournevis Phillips, tourner la vis A pour la fixer solidement en place.



Nettoyage de l'assemblage de pince

1. Retirer le thermostat d'immersion de l'assemblage de pince en poussant et en maintenant le levier d'ajustement de l'assemblage de pince vers le thermostat. Ceci permettra de glisser l'assemblage de pince vers le bas ou le retirer du thermostat, ou de tirer le thermostat pour le retirer.
2. À l'aide d'un tournevis Phillips, tourner une des vis B dans le sens antihoraire pour la retirer. Répéter le même processus avec la deuxième vis B.
3. Tout en maintenant le bouton de la pince d'une main et l'autre moitié de l'assemblage de pince avec l'autre main, séparer les deux parties.
4. **Pour retirer le capuchon en silicone sur le levier d'ajustement afin de le nettoyer** : Tirer le capuchon et le laver dans de l'eau chaude savonneuse. Rincer et sécher.
5. **Pour assembler à nouveau l'assemblage de pince** : Glisser les deux pièces ensemble, et à l'aide d'un tournevis Phillips, tourner une des vis B dans le sens horaire jusqu'à ce qu'elle soit solidement fixée. Répéter le même processus avec la deuxième vis B.

Dépannage

Le thermostat ne s'allume pas.

- Vérifier que le thermostat est branché solidement dans une prise électrique.
- Vérifier pour voir s'il y a un problème avec la prise, si le fusible ou si la prise de courant on sauté, ou si le disjoncteur s'est déclenché.

La température de l'eau ne monte pas.

- La température peut être proche de la température réglée (programmée). Vérifier le réglage de la température.
- Les capteurs de la température ne fonctionnent peut-être pas. Veuillez communiquer avec les services techniques.
- Les éléments chauffants ne fonctionnent peut-être pas. Veuillez communiquer avec les services techniques.

La température est plus élevée que la température réglée.

- Les capteurs de la température ne fonctionnent peut-être pas. Redémarrer le thermostat.
- L'eau ne circule peut-être pas. Veuillez communiquer avec les services techniques.

L'afficheur indique H2O.

- Le thermostat n'est peut-être pas dans l'eau. Ajouter le thermostat dans l'eau et suivre les instructions indiquées à la section « Avant de commencer ».
- Le niveau d'eau est peut-être trop bas ou trop haut. Ajouter ou retirer de l'eau selon le cas, en veillant à ce que le niveau d'eau se situe entre les lignes MIN et MAX.

Le thermostat est allumé, mais le panneau de contrôle n'affiche rien.

- Veuillez communiquer avec les services techniques.

Le thermostat émet des sons stridents.

- Il peut y avoir de l'air dans la pompe. Desserrer l'assemblage de pince. Tout en gardant le thermostat dans l'eau, secouez le thermostat à quelques reprises pour éliminer l'air du propulseur de la pompe.
- Il peut y avoir des débris dans la pompe. Veuillez suivre les instructions indiquées dans la section « Nettoyage et entretien ».

L'afficheur indique CLEAR.

- Le thermostat a besoin d'être nettoyé. Veuillez suivre les instructions indiquées dans la section « Nettoyage et entretien ».

L'afficheur indique E02.

- Le chauffage peut ne pas fonctionner. Débranchez et arrêtez l'utilisation. Appelez les services techniques pour obtenir de l'aide.

Le débit d'eau a diminué.

- Voir « Cycle de nettoyage (CLEAR) » dans la section « Nettoyage et entretien ».

Seguridad del circulador de inmersión

IMPORTANTE: Este manual de operación debe revisarse con todos los operadores del equipo como parte de su programa de capacitación de operadores.

Su seguridad y la de los demás es muy importante.

Hemos proporcionado muchos mensajes de seguridad importantes en este manual y en su equipo. Siempre lea y obedezca todos los mensajes de seguridad.



Este es el símbolo de alerta de seguridad.

Este símbolo lo alerta sobre los peligros que pueden causar la muerte o lesionarlo a usted y a los demás.

Todos los mensajes de seguridad estarán precedidos por el símbolo de alerta de seguridad y la palabra "ADVERTENCIA". Esta palabra significa:

! ADVERTENCIA

Es posible que te maten o te lesionen gravemente si no sigues las instrucciones.

Todos los mensajes de seguridad identificarán el peligro, le indicarán cómo reducir la posibilidad de sufrir una lesión y le informarán qué puede suceder si no se siguen las instrucciones.

SALVAGUARDIAS IMPORTANTES

ADVERTENCIA – Cuando utilice artefactos eléctricos, siempre deben seguirse precauciones de seguridad básicas a fin de reducir el riesgo de incendio, descarga eléctrica, y/o lesiones a personas, incluyendo las siguientes:

1. Lea todas las instrucciones.
2. Este aparato no se destina para utilizarse por personas cuyas capacidades físicas, sensoriales o mentales sean diferentes o estén reducidas, o carezcan de experiencia o conocimiento, a menos que dichas personas reciban una supervisión o capacitación para el funcionamiento del aparato por una persona responsable de su seguridad.
3. Este electrodoméstico no debe ser utilizado por niños. Mantenga el electrodoméstico y su cable fuera del alcance de los niños.
4. Se requiere de una estrecha supervisión cuando el aparato se use cerca de niños. Los niños deben supervisarse para asegurar que ellos no empleen los aparatos como juguete.
5. No toque las superficies calientes. Use los manijas o perillas.
6. Para proteger contra descargas eléctricas, no sumerja el cable, el enchufe o el motor en agua ni en otro líquido.
7. Desenchufe el aparato antes de retirarlo del líquido.
8. Apague el aparato presionando el botón arranque/paro (▶); a continuación desenchúfelo del tomacorriente cuando no esté en uso, antes de poner o quitar piezas, y antes de limpiarlo. Para desenchufarlo, tome el enchufe y retírelo del tomacorriente. Nunca tire del cable eléctrico.
9. No opere ningún aparato con cables o enchufe dañados o después de que el aparato funcione mal o se caiga o dañe de cualquier manera. El reemplazo del cable de suministro y las reparaciones deben ser efectuadas por el fabricante, su agente de servicio, o personas igualmente calificadas para poder evitar un peligro. Llame al número de servicio al cliente proporcionado para información sobre examinación, reparación o ajuste.
10. El uso de aditamentos que no hayan sido recomendados o vendidos por el fabricante del aparato, puede causar un riesgo de lesiones a las personas.
11. No lo use al aire libre.
12. No deje que el cable cuelgue sobre el borde de la mesa o de la cubierta, ni que toque superficies calientes, incluyendo la estufa.
13. No lo coloque sobre o cerca de una hornilla de gas o eléctrica, o dentro de un horno caliente.
14. Es importante tener extremo cuidado cuando se mueva un aparato electrodoméstico que contenga aceite caliente u otros líquidos calientes.
15. Para desconectar el aparato, presione el botón de arranque/paro (▶); luego retire el enchufe del tomacorriente. Para desenchufarlo, tome el enchufe y retírelo del tomacorriente. Nunca tire del cable eléctrico.
16. No use el aparato electrodoméstico para ningún otro fin que no sea el indicado.
17. No usar con ningún otro líquido que no sea agua.
18. No opera el aparato en seco, fuera del agua.
19. Después de desenchufar el aparato, el acero inoxidable. La carcasa y el calentador permanecerán calientes y no deberían estar tocado o colocado sobre superficies combustibles. Permitir unidad enfriar antes de manipular.
20. No sumerja el aparato sobre la línea de nivel MAX de agua. La clasificación de ingreso de agua del recipiente es IPX7: inmersión por periodo corto. Si el aparato se sumerge por completo, no introduzca la mano en el agua. Desenchufe el aparato y permita que se enfríe antes de sacarlo del agua. Deje que el aparato se seque por completo antes de usarlo.
21. No haga funcionar el aparato con un temporizador externo o un sistema de control remoto separado.

– GUARDE ESTAS INSTRUCCIONES –

NOTA: El incumplimiento de las instrucciones de limpieza anulará la garantía. Minimice el uso de limpiadores alcalinos para evitar dañar el acabado.

Para uso comercial solamente

Otra información de seguridad adicional para el cliente

Este aparato solo está destinado a la preparación, cocción y servicio de alimentos. Este aparato no está diseñado para usarse con ningún material o producto no alimenticio.

⚠ ADVERTENCIA **Riesgo de descarga eléctrica:**
Este aparato está provisto de un enchufe con conexión

a tierra (3 puntas) para reducir el riesgo de descarga eléctrica. No anule el propósito de seguridad del enchufe modificando el enchufe de ninguna manera o usando un adaptador. Si el enchufe no entra en el tomacorriente, haga que un electricista remplace el tomacorriente.

⚠ ADVERTENCIA



Riesgo de descarga eléctrica

Enchufe en un tomacorriente con conexión a tierra.

No retire la tierra.

No utilice un adaptador.

No utilice un cable de extensión.

No sumerja por encima de la línea MAX.

El incumplimiento de estas instrucciones puede provocar la muerte, un incendio o una descarga eléctrica.



Reciclando el producto al final de su vida útil

El símbolo del contenedor con ruedas marcado en este dispositivo significa que este equipo debe ser controlado por un sistema de recolección selectiva conforme a la Directiva WEEE para que pueda ser reciclado o desmantelado para reducir cualquier impacto al medio ambiente. El usuario es responsable de devolver el producto a la instalación de recolección adecuada, según lo especifique su código local. Para obtener información adicional sobre las leyes locales aplicables, comuníquese con la instalación municipal y / o el distribuidor local.

Servicios técnicos

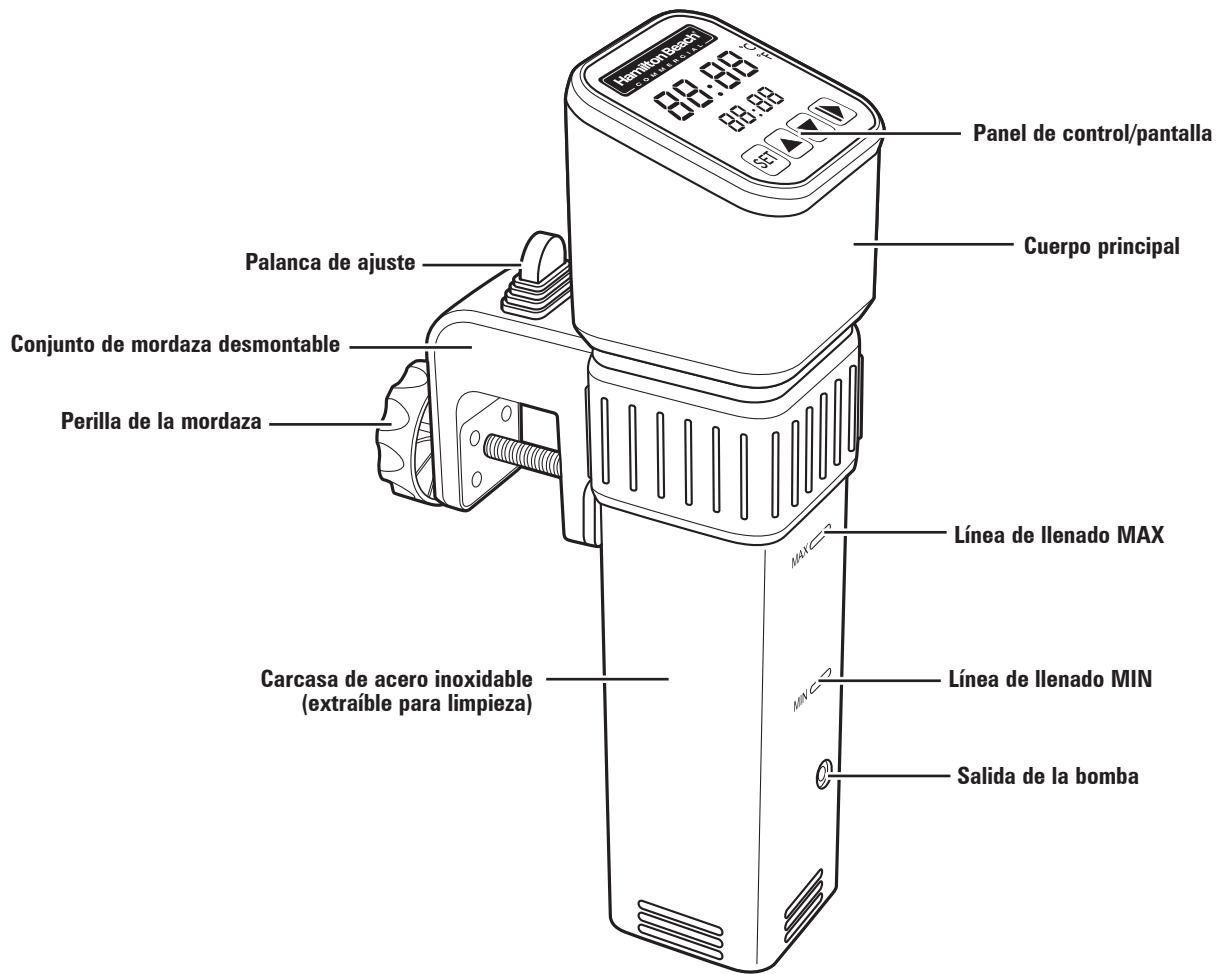
Para asistencia o piezas de repuesto, llame o envíe un correo electrónico a Technical Services:

**866-285-1087 (USA, Canada) o +1-910-693-4277
commercial.support@hamiltonbeach.com**

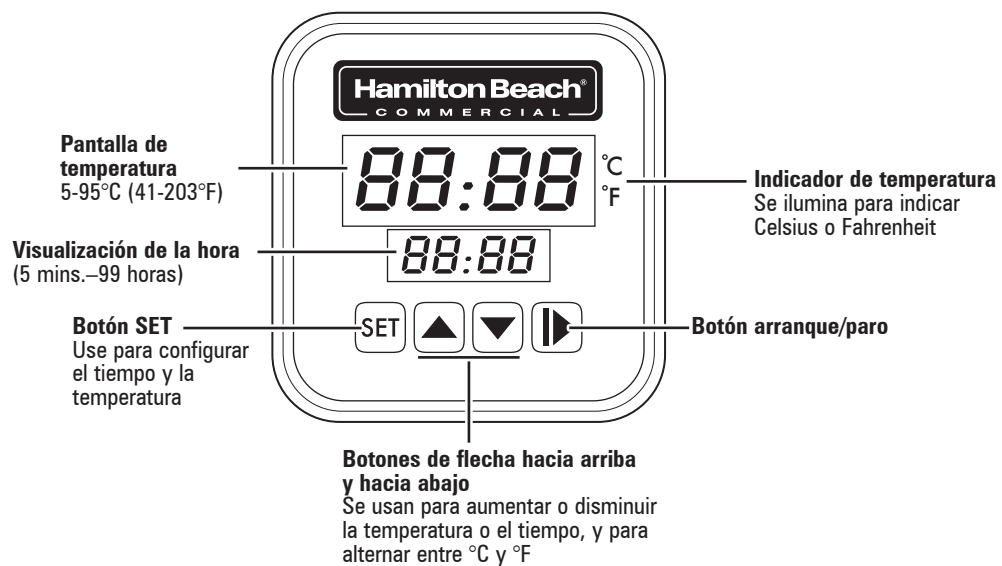
**Región APAC: +86-400-930-2722,
hbcapac.support@hamiltonbeach.com**

www.hamiltonbeachcommercial.com

Piezas y características



Uso del panel de control/pantalla



Antes de que usted empiece

⚠ ADVERTENCIA Riesgo de descarga eléctrica.

No sumerja por encima de la línea de agua MAX. Si el aparato se sumerge por completo, desenchúfelo, no introduzca la mano en el agua, y deje que se enfríe antes de sacarlo del agua. Deje que el aparato se seque por completo antes de usarlo.

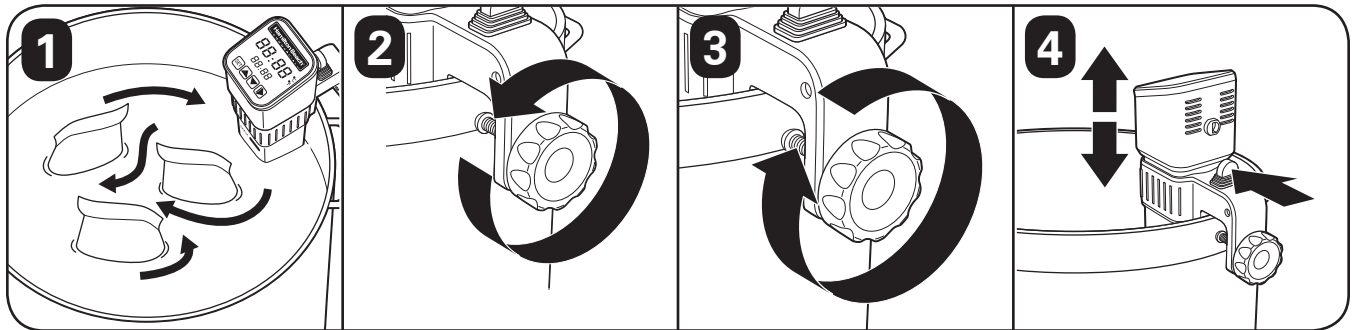
NOTA: Todos los alimentos deben sellarse antes de sumergirlos en agua. Nunca agregue alimentos sin sellar al agua.

No enchufe el circulador de inmersión hasta que haya completado los siguientes pasos:

1. Elija un recipiente rígido de plástico o metal que pueda contener hasta 30 L (8 galones), con capacidad nominal para temperaturas superiores a 95°C (203°F) y tenga una profundidad de al menos 12 cm (4.5") o más. El agua nunca debe estar por encima de la línea de llenado MAX o por debajo de la línea de llenado MIN; agregue o quite agua si es necesario. El recipiente debe ser lo suficientemente grande como para permitir que el agua circule entre y alrededor de los alimentos sellados. El agua circulará incluso si la base de la carcasa de acero inoxidable descansa sobre el fondo del recipiente.
2. Para fijar el conjunto de la mordaza al recipiente o envase, afloje la perilla de la mordaza girándola en el sentido contrario a las manecillas del reloj.
3. Deslice el conjunto de la mordaza del circulador hacia el costado del envase y fije el conjunto de la mordaza girando la perilla de la mordaza en el sentido de las manecillas del reloj hasta que haga clic; esto evita el ajuste excesivo.
4. El circulador se puede ajustar hacia arriba o hacia abajo presionando la palanca de ajuste hacia el circulador.

NOTA: La palanca de ajuste del conjunto de la mordaza permite retirar el circulador del recipiente para su enfriamiento o limpieza sin tener que quitar el conjunto de la mordaza.

5. Llena el recipiente con agua. Tenga en cuenta que cuando se agreguen los alimentos, el nivel del agua puede elevarse por encima de la línea de llenado MAX. Siempre mantenga el nivel de agua entre las líneas de llenado MAX y MIN.



Operación

1. Si es necesario, ajuste el nivel del agua, luego conecte el circulador de inmersión al tomacorriente.

NOTA: Este circulador tiene una característica de memoria interna que le permite parar y arrancar en el mismo punto de operación de la última vez que se desconectó. Siempre presione el botón hasta que la luz ya no esté encendida antes de desenchufar. Cuando el circulador se enchufe nuevamente, la pantalla se encenderá, luego mostrará la temperatura actual del agua y el tiempo establecido previamente.

2. Mantenga presionados ambos botones y durante 5 segundos para alternar entre °C y °F. La temperatura por defecto está en grados Celsius.
3. Presione el botón (ajuste) para cambiar las configuraciones de tiempo y temperatura. El tiempo o la temperatura parpadearán para indicar qué configuración se está ajustando.
4. Presione el botón (ajuste) una vez para seleccionar la temperatura. La temperatura parpadeará, lo que indica que la temperatura puede ajustarse.
5. Presione el botón o para ajustar la temperatura.
6. Presione el botón (ajuste) de nuevo y el tiempo parpadeará indicando que se puede ajustar el tiempo.
7. Presione el botón o para ajustar al tiempo de cocción deseado. Presione el botón (ajuste) nuevamente para guardar el tiempo configurado.

NOTA: Si se presiona el botón (ajuste) sin cambiar la temperatura o la hora, la pantalla dejará de parpadear en 12 segundos.

8. Presione el botón (arranque/parado). El agua comienza a calentarse y la pantalla de temperatura muestra la temperatura actual del agua. El circulador emite un pitido cuando se alcanza la temperatura establecida.
9. Para una cocción uniforme, agregue bolsas al agua, asegurándose de que las bolsas no se toquen y que el agua circule alrededor de cada una de ellas. Presione el botón (arranque/parado) para iniciar la cuenta regresiva del temporizador y ":" aparecerá en la pantalla.
10. El circulador emitirá un pitido cuando el temporizador llegue a 0:00 y continuará manteniendo la temperatura establecida hasta que se presione el botón (arranque/parado). Mantenga presionado el botón hasta que la luz ya no esté encendida y "OFF" esté en la pantalla. Desenchufar.

Cuidado y limpieza

⚠ ADVERTENCIA Riesgo de descarga eléctrica.

Desconecte la corriente antes de limpiar el vaporizador. No sumerja el cable, el enchufe o la unidad en ningún líquido.

Limpeza general después de uso regular

1. Seque el conjunto del circulador y la abrazadera con un paño suave antes de guardarlos.
2. **Para extraer el conjunto de la mordaza:** Retire el circulador de inmersión del conjunto de la mordaza presionando y sosteniendo la palanca de ajuste del conjunto de la abrazadera hacia el circulador. Esto permite que el conjunto de la mordaza se deslice hacia abajo y hacia fuera del circulador, o que el circulador sea jalado hacia arriba para extraerlo.

Limpeza pesada después de un uso prolongado

Ciclo de limpieza (CLEP)

Cuando este ciclo está en marcha, el circulador de inmersión está programado para funcionar durante 3 horas una vez que la temperatura del vinagre/agua alcanza los 80°C (176°F).

NOTA: CLEP se mostrará en la pantalla después de 100 horas de uso. Cuando esto aparezca, ejecute los pasos a continuación:

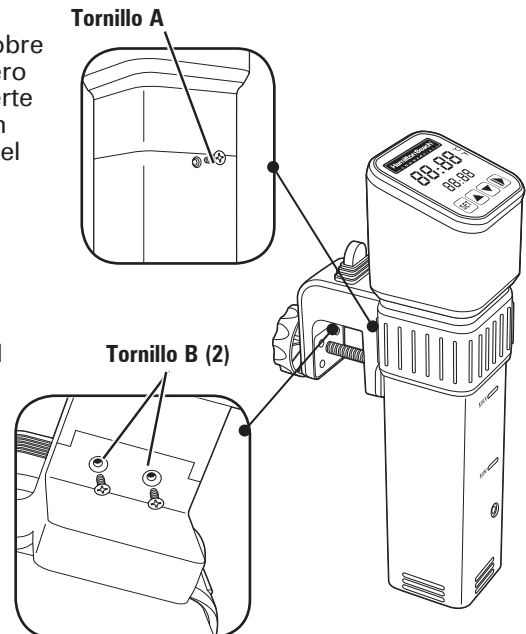
1. Desenchufe el circulador y permita que se enfríe antes de sacarlo del agua.
2. Fije el circulador al recipiente y agregue una solución 1:9 de vinagre blanco y agua. La solución de vinagre siempre debe estar entre las líneas de llenado MIN y MAX en la carcasa de acero inoxidable.
3. Enchufe en el tomacorriente mientras presiona y mantiene presionados los botones **SET** (ajuste) y **▼** hasta que aparezca un conteo de ciclos.
NOTA: "1.0" aparecerá en el primer ciclo de limpieza y aumentará el conteo para cada ciclo de limpieza posterior.
4. Suelte los botones; en la pantalla aparecerán los ajustes de limpieza predeterminados de "80°C" (176°F) y "03:00".
5. Presione el botón **▶** (arranque/paro) para iniciar el ciclo de limpieza. Una vez que se alcanza la temperatura, presione el botón **▶** (arranque/paro) para que comience el temporizador.
6. Cuando aparezca "00:00" en la pantalla, la unidad emitirá un pitido y se completará el ciclo de limpieza, presione el botón **▶** (arranque/paro) para detener el ciclo.

Para limpiar la carcasa de acero inoxidable

1. **Para extraer la carcasa de acero inoxidable:** Con un destornillador Phillips, gire el tornillo A en la parte posterior de la carcasa de acero inoxidable en sentido contrario a las agujas del reloj para retirarlo y deslizar la carcasa de acero inoxidable hacia abajo. La carcasa de acero inoxidable es apta para lavavajillas.
2. **Para reinstalar la carcasa de acero inoxidable:** Deslice la carcasa sobre las bobinas, alineando la abertura del tornillo A de la carcasa de acero inoxidable con la abertura del Circulador. Inserte el tornillo A de la carcasa de acero inoxidable en la abertura. Con un destornillador Phillips, gire el tornillo A en el sentido de las agujas del reloj para fijarlo en su lugar.

Limpeza del conjunto de la mordaza

1. Retire el circulador de inmersión del conjunto de la mordaza presionando y sosteniendo la palanca de ajuste del conjunto de la abrazadera hacia el circulador. Esto permite que el conjunto de la mordaza se deslice hacia abajo y hacia fuera del circulador, o que el circulador sea jalado hacia arriba para extraerlo.
2. Con un destornillador Phillips, gire un tornillo B en la parte inferior del conjunto de la abrazadera en sentido contrario a las agujas del reloj para retirarlo; repita el proceso con el segundo tornillo B.
3. Mientras sujeta la perilla de la mordaza con una mano y la otra mitad del conjunto de la mordaza con la otra mano, sepárela para extraerla.
4. **Para quitar la cubierta de silicona en la palanca de ajuste para limpiarla:** Levante la tapa y lávela con agua caliente y jabón. Enjuague y seque.
5. **Para volver a ensamblar el conjunto de la mordaza:** Deslice las dos piezas juntas, y con un destornillador Phillips, gire un tornillo B en el sentido de las agujas del reloj hasta que quede fijo; repita con el tornillo restante B.



Solución de problemas

El circulador no se enciende.

- Verifique para asegurarse de que el circulador esté bien enchufado en un tomacorriente.
- Verifique si hay un problema con el tomacorriente, si se ha fundido el fusible del tomacorriente o si se ha disparado un interruptor automático.

La temperatura del agua no está aumentando.

- La temperatura del agua puede estar cerca de la temperatura configurada (programada). Verifique la temperatura configurada.
- El sensor de temperatura puede no estar funcionando. Llame a Servicios técnicos.
- El calentador puede no estar funcionando. Llame a Servicios técnicos.

La temperatura del agua está por encima de la temperatura configurada.

- El sensor de temperatura puede no estar funcionando. Reinicie el circulador
- El agua puede no estar circulando. Llame a Servicios técnicos.

H₂O se muestra en la pantalla.

- El circulador puede no estar en el agua. Agregue el circulador al agua y siga las instrucciones en la sección "Antes de comenzar".
- El nivel del agua puede ser demasiado bajo o demasiado alto. Agregue o elimine agua según sea necesario, asegurándose de que el agua esté entre las líneas MIN y MAX .

El circulador está encendido, pero el Panel de control no muestra nada en la pantalla.

- Llame a Servicios técnicos.

El circulador está emitiendo un sonido agudo.

- Puede haber aire dentro de la bomba. Afloje el conjunto de la abrazadera; manteniendo el circulador en el agua, agite el circulador varias veces para descargar el aire de la hélice de la bomba.
- Puede haber desechos dentro de la bomba. Siga las instrucciones en la sección "Limpieza y mantenimiento"

CLER se muestra en la pantalla.

- El circulador necesita ser limpiado. Siga las instrucciones en la sección "Limpieza y mantenimiento".

EO2 se muestra en la pantalla.

- El calentador puede no estar funcionando. Desenchufe y deje de usar. Llame a Servicios técnicos para asistencia.

El caudal de agua ha disminuido.

- Consulte "Ciclo de limpieza (CLER)" en la sección "Cuidado y limpieza."

Modelo:
HSV1000

Tipo:
XS01

Características Eléctricas:
120 V~ 60 Hz 1200 W

Los modelos incluidos en el instructivo de Uso y Cuidado pueden ir seguidos o no por un sufijo correspondiente a una o varias letras del alfabeto y sus combinaciones, separadas o no por un espacio, coma, diagonal, o guión. Como ejemplos los sufijos pueden ser:
"Y" y/o "MX" y/o "MXY" y/o "Z".



4421 Waterfront Drive
Glen Allen, VA 23060