

**WESTON**  
RECONNECT WITH REAL FOOD

**BUTCHER SERIES**  
**MEAT GRINDERS**

LE INVITAMOS A LEER CUIDADOSAMENTE ESTE INSTRUCTIVO ANTES DE USAR SU APARATO

DUE TO CONSTANT FACTORY IMPROVEMENTS, THE PRODUCT PICTURED MIGHT DIFFER SLIGHTLY FROM THE PRODUCT IN THIS BOX.

# TABLE OF CONTENTS / ÍNDICE / TABLE DES MATIÈRES

IMPORTANT SAFEGUARDS .....	3-4
UNPACKING INSTRUCTIONS .....	5
OTHER SAFETY INFORMATION .....	5
COMPONENT LIST .....	6-7
CLEANING INSTRUCTIONS .....	8
GRINDER ASSEMBLY INSTRUCTIONS .....	9
GRINDING INSTRUCTIONS .....	10
STANDARD STUFFER ASSEMBLY INSTRUCTIONS .....	11
HIGH-SPEED STUFFER ASSEMBLY INSTRUCTIONS .....	12
STUFFING INSTRUCTIONS .....	13-14
CIRCUIT BREAKER INSTRUCTIONS .....	15
GRINDING TIPS .....	15
FOOD SAFETY .....	16
SAUSAGE INFORMATION .....	17
WARRANTY .....	18
SALVAGUARDIAS IMPORTANTES .....	20-21
LISTA DE COMPONENTES .....	22-23
INSTRUCCIONES PARA EL DESEMPAQUE .....	24
INFORMACIÓN DE SEGURIDAD ADICIONAL .....	24
INSTRUCCIONES DE LIMPIEZA .....	25
INSTRUCCIONES DE ENSAMBLE DEL MOLINO .....	26
INSTRUCCIONES PARA MOLER .....	27
RELLENADOR ESTÁNDAR INSTRUCCIONES DE ENSAMBLADO .....	28
ALTA VELOCIDAD DE INSTRUCCIONES DE MONTAJE EMBUTIDORA .....	29
INSTRUCCIONES DE RELLENADO .....	30-31
INSTRUCCIONES PARA EL CORTADOR DE CIRCUITOS .....	32
CONSEJOS PARA EL MOLIDO .....	32
SEGURIDAD DE LOS ALIMENTOS .....	34
INFORMACIÓN DE LA SALCHICHA .....	35
INFORMACIÓN DE GARANTÍA WESTON .....	36
MESURES DE SÉCURITÉ IMPORTANTES .....	38-39
LISTE DES COMPOSANTS .....	40-41
INSTRUCTIONS DE DÉBALLAGE .....	42
AUTRES RENSEIGNEMENTS SUR LA SÉCURITÉ .....	42
INSTRUCTIONS DE NETTOYAGE .....	43
INSTRUCTIONS POUR LE MONTAGE D'UN HACHOIR .....	44
INSTRUCTIONS POUR HACHER .....	45
INSTRUCTIONS D'ASSEMBLAGE D'UN REMPLISSEUR STANDARD .....	46
REMPLEUSEUR HAUTE VITESSE INSTRUCTIONS D'ASSEMBLAGE .....	47
INSTRUCTIONS DE BOURRAGE .....	48-49
INSTRUCTIONS RELATIVES AU DISJONCTEUR .....	50
CONSEILS POUR HACHER LA VIANDE .....	50
SÉCURITÉ ALIMENTAIRE .....	52
INFORMATIONS SUR LES SAUCISSES .....	53
INFORMATION SUR LA GARANTIE .....	55

# IMPORTANT SAFEGUARDS

**WARNING** – When using electrical appliances, basic safety precautions should always be followed to reduce the risk of fire, electric shock, and/or injury to persons, including the following:

1. Read all instructions.
2. This appliance is not intended for use by persons with reduced physical, sensory, or mental capabilities, or lack of experience and knowledge, unless they are closely supervised and instructed concerning use of the appliance by a person responsible for their safety.
3. This appliance shall not be used by children. Keep the appliance and its cord out of reach of children.
4. Close supervision is necessary when any appliance is used near children. Children should be supervised to ensure that they do not use or play with the appliance.
5. Do not use the grinder without the tray secured into place.
6. Turn the appliance OFF(○), then unplug from outlet when not in use, before putting on or taking off parts, and before cleaning. To unplug, grasp the plug and pull from the outlet. Never pull from the power cord.
7. Plug the grinder into a standard 120 Volt, 60 Hz wall outlet. Check if the voltage indicated on the appliance corresponds to the local voltage before you connect the appliance.
8. Do not operate any appliance with a damaged supply cord or plug, or after the appliance malfunctions or has been dropped or damaged in any manner. Supply cord replacement and repairs must be conducted by the manufacturer, its service agent, or similarly qualified persons in order to avoid a hazard. Call the provided technical service number for information on examination, repair, or adjustment.
9. The use of attachments not recommended or sold by the appliance manufacturer may cause fire, electric shock, or injury.
10. To protect against risk of electrical shock: Do not submerge the main grinder body into water or liquid. Be sure the grinder is disconnected from the power source before cleaning. Wash all parts by hand and thoroughly dry. Thoroughly clean all parts that will come in contact with food before using the appliance. Never rinse appliance grinder motor under tap. Only use a moist cloth to clean the grinder motor unit.
11. Before plugging cord into wall outlet, turn off the appliance. To disconnect cord, switch to OFF (○). Then remove plug from wall outlet.
12. Never feed food by hand. Always use the provided food pusher. Keep fingers clear of the auger and cutting blades at all times. Never reach into the grinder. Doing so may cause serious injury.
13. Never use fingers to scrape food away from the grinding plate while the grinder is in operation. Severe injury may result.
14. Never operate the grinder unattended. Be safe. Disconnect the grinder from power source before leaving the work area.
15. Never feed food by hand. Always use food stomper. Avoid contact with moving parts. Wait until all moving parts have stopped before you remove any part of the grinder.
16. To reduce the risk of severe personal injury, and/or damage to the grinder, tie back loose hair and clothing, and roll up long sleeves before

CONTINUED ON NEXT PAGE

- operating the grinder. Remove ties, rings, watches, bracelets, or other jewelry before operating the grinder.
17. Be sure the grinder is on a stable work surface. Be sure all the grinder feet are stable.
  18. Do not place on or near a hot gas or electric burner, or in a heated oven. Do not run grinder without meat in the head. Severe damage to the head and auger may occur.
  19. Wear eye protection. Wear safety glasses. Everyday eyeglasses are not safety glasses. Safety glasses conform to ANSI Z87.1 requirements.  
NOTE: Approved safety glasses have Z87 printed or stamped on them.
  20. Do not use outdoors.
  21. Do not use appliance for other than intended purpose.
  22. Do not let cord hang over edge of table or counter or touch hot surfaces, including stove.
  23. Do not attempt to operate the grinder if the grinder itself is cold. The grinder temperature should be at least 45°F (7°C) before beginning.
  24. The gear housing and the motor cover may become hot during operation. This is normal. Do not touch these parts during operation or until they cool after use.
  25. **WARNING:** Busted, splintered bones can get into the digestive tract of a pet and cause severe damage, even death by puncturing the walls of the intestines or even the stomach.
  26. This meat grinder is capable of grinding smaller, softer animal bones such as rabbit, whole chickens or chicken quarters, and other birds, due to both the power and all-metal construction of the units.
  27. Avoid grinding large, dense animal bones as they are very difficult to process (i.e., bones one would find in large game, pigs, or cows).
  28. Grinding knife is sharp. Handle carefully.
  29. **CAUTION!** In order to avoid a hazard due to inadvertent resetting of the thermal cut-out, this appliance must not be supplied through an external switching device, such as a timer, or connected to a circuit that is regularly switched on.

## SAVE THESE INSTRUCTIONS



## UNPACKING INSTRUCTIONS

Remove all parts from packaging material and check to be sure there are no missing parts.

Retain packaging material for storage of the Grinder and Grinder parts when not in use.

**BEFORE FIRST USE:** After unpacking, wash everything except Grinder Motor Base Assembly in hot, soapy water. Rinse and dry thoroughly. Wipe base assembly with a damp cloth or sponge.

## OTHER SAFETY INFORMATION

**⚠ WARNING Electrical Shock Hazard:** This appliance is provided with a grounded (3-prong) plug to reduce the risk of electric shock. The plug fits only one way into a grounded outlet. Do not defeat the safety purpose of the plug by modifying the plug in any way or by using an adapter. If the plug does not fit into the outlet, have an electrician replace the outlet.

The length of the cord used on this appliance was selected to reduce the hazards of becoming tangled in or tripping over a longer cord. If a longer cord is necessary, an approved extension cord may be used. The electrical rating of the extension cord must be equal to or greater than the rating of the appliance. The extension cord must be a grounding-type, 3-wire cord. Care must be taken to arrange the extension cord so that it will not drape over the countertop or tabletop where it can be pulled on by children or accidentally tripped over.

If the cutting blade assembly locks and will not move, it will damage the motor. Do not use. Call the toll-free customer service number for information.



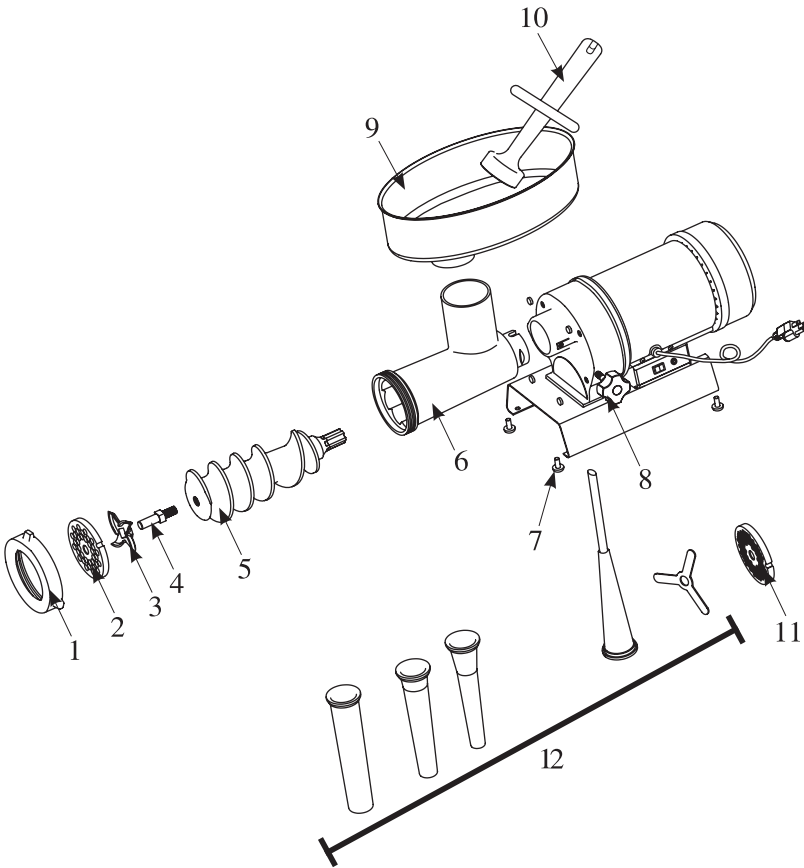
# COMPONENT LIST

DIAGRAM #	PART DESCRIPTION
1	FRONT RING NUT
2	4.5 MM GRINDER PLATE
3	GRINDING KNIFE
4	AUGER PIN
5	AUGER
6	STAINLESS STEEL HEAD
7	RUBBER FEET WITH NUTS (4)
8	HEAD LOCKING KNOB
9	STAINLESS STEEL TRAY
10	AUGER GRABBING STOMPER
11	7 MM GRINDER PLATE
12	STUFFER ASSEMBLY

STUFFER ASSEMBLY
STUFFING STAR
10 MM SNACK STICK STUFFING FUNNEL
20 MM FUNNEL
30 MM FUNNEL
40 MM FUNNEL

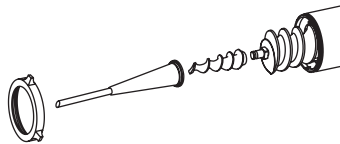
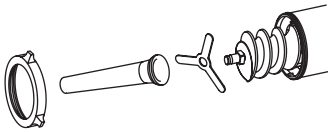
If any components of this unit are broken, the unit does not operate properly or you need a replacement instruction manual, visit us on the web at

**WestonBrands.com**



**STUFFER ASSEMBLY**

**HIGH SPEED STUFFING  
AUGER ASSEMBLY**



## CLEANING INSTRUCTIONS

**⚠ WARNING Electrical Shock Hazard.** Disconnect power before cleaning, disassembling, or assembling. Do not immerse cord, plug, or motor in water or other liquid.

**BEFORE FIRST USE:** After unpacking, wash everything except Grinder Motor Base Assembly in hot, soapy water. Dry thoroughly. Wipe base assembly with a damp cloth or sponge.

1. Unplug Meat Grinder from electrical wall outlet.
2. Remove the Head Assembly from the Grinder Motor.
3. Disassemble the Head Assembly.
4. Wash all parts that have come in contact with meat in hot soapy water. **BE SURE TO CLEAN IMMEDIATELY AFTER USE. DO NOT IMMERSE THE MOTOR IN WATER OR OTHER LIQUIDS!**
5. Rinse the Grinder parts with clean hot water; then dry them **IMMEDIATELY**.
6. Fully lubricate the Head, Plates, and the Knife with a food-grade silicone spray before and after each use.
7. Clean the Motor Cover and Gear Housing with a damp towel and wipe dry. **IMPORTANT:** Any metal parts should be coated with a food safe silicone spray to prevent rusting. If not properly protected, these parts can begin to rust very quickly. **DO NOT** use rusted parts.
8. Make sure the grinder and all components are completely dry before assembling or storing.

### SANITIZE

Sanitize all food contact parts at least daily and/or immediately after each use. Sanitize using 1 tablespoon (15 ml) of household bleach per 1 gallon (3.8 liter) of clean, cool water (60°F/16°C), mixed according to the instructions on the bleach.

1. Immerse all food contact parts in sanitizing solution for 2 minutes.
2. Wipe exterior with soft cloth dampened with sanitizing solution.
3. When ready to use, rinse with clean water.



# GRINDER ASSEMBLY INSTRUCTIONS

**⚠ WARNING Entanglement Hazard.** To avoid serious or fatal injury, never reach into grinder feed chute. Always use stomper. Never operate without tray in place. Secure long hair and loose clothing before use. Disconnect power before assembling. Always read instructions.

1. Insert the Head into the Gear Housing with the Feed Chute facing straight up. You will need to line up the slot in the Head with the Pin inside the Gear Housing. Be sure the Head is seated fully into the Gear Housing (Figure 1).

2. Tighten the Head Locking Knob to lock the Head into place.

3. Insert the Auger into the Head (Figure 2). Align the Auger Splines with the Drive Shaft of the Grinder.

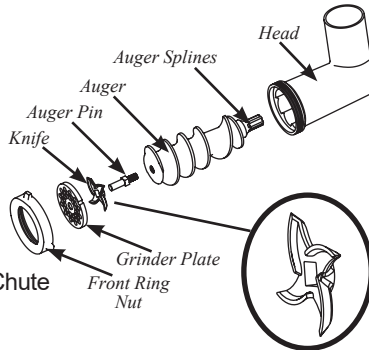
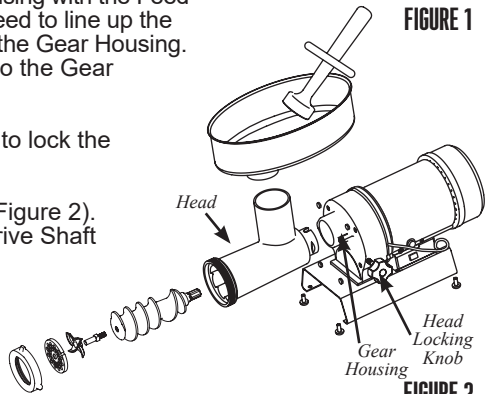
4. Place the Knife onto the square part of the Auger Pin (Figure 2). Be sure the blades of the Knife are facing outward.

5. Place one of the Grinder Plates onto the Auger Pin; align the notch in the Grinder Plate with the Pin in the Grinder Head.

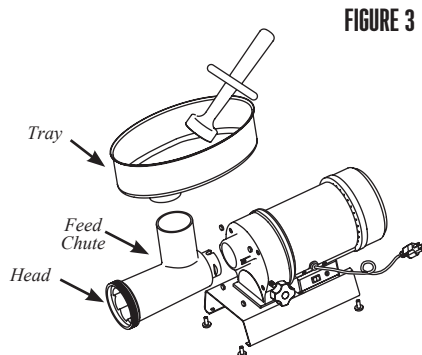
6. Install the Front Ring Nut. **DO NOT OVERTIGHTEN.** Turn the Front Ring Nut until it makes contact with the Grinder Plate, then make 1/4 turn more to tighten into place.

7. Insert the neck of the Tray into the Feed Chute (**FIGURE 3**).

8. **NEVER** operate Grinder without the Tray secured in place (**FIGURE 3**). REFER TO "GRINDING INSTRUCTIONS"



**NOTE!** Be sure the blades of the Knife are facing out.



## GRINDING INSTRUCTIONS

**⚠ WARNING Entanglement Hazard.** To avoid serious or fatal injury, never reach into grinder feed chute. Always use stomper. Never operate without tray in place. Secure long hair and loose clothing before use. Disconnect power before assembling. Always read instructions.

**⚠ CAUTION Burn Hazard.** The Gear Housing and the Motor Cover may become HOT during operation. This is normal. DO NOT touch these parts during operation or until they cool after use.

1. Follow the “Grinder Assembly Instructions” to fully assemble the Grinder including the Tray.

NOTE: It is best to grind the meat using the coarse, 7 mm Grinding Plate first. If a finer grind of meat is desired, run the coarse ground meat through the Grinder a second time using the fine, 4.5 mm Grinding Plate.

2. Trim the meat of all cords, tendons, bones, shot, etc.

3. For best results, be sure that all meat has been chilled to between 32-34°F (0-1°C) before grinding. DO NOT ALLOW MEAT TO SIT OUT AT ROOM TEMPERATURE LONGER THAN ABSOLUTELY NEEDED. Closely follow the “Food Safety” instructions as outlined by the USDA.

4. Cut meat into sizes small enough to fit into the Feed Chute. Approximately 1” (2.5 cm) cubes.

5. Place cubed meat to be ground into the Tray. Do not overfill the Tray, place just enough meat to leave the Feed Chute area open.

6. Place a dish or bowl to collect the ground meat at the end of the Grinder Head (Figure 4).

7. Make sure the Grinder is in the “OFF” position. Attach the Grinder to the power supply.

8. Switch the Grinder to the forward “FWD” position. Carefully start feeding cubes of meat into the Feed Chute. ONLY USE THE STOMPER TO PUSH MEAT INTO THE HEAD, DO NOT USE YOUR FINGERS OR ANY OTHER OBJECT.

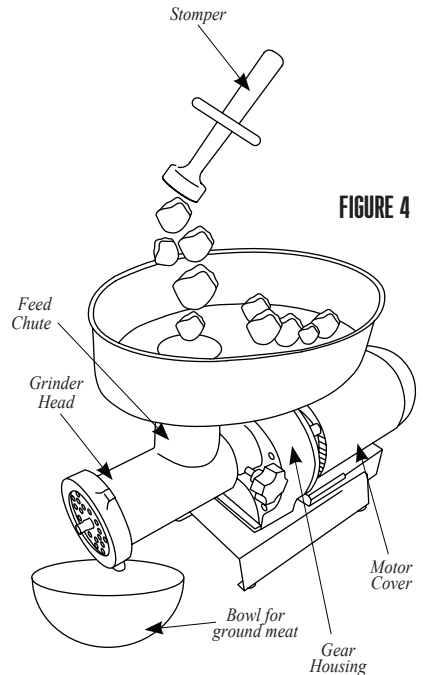
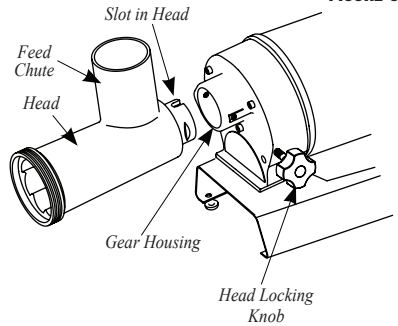


FIGURE 4

# STANDARD STUFFER ASSEMBLY INSTRUCTIONS

**⚠ WARNING Entanglement Hazard.** To avoid serious or fatal injury, never reach into grinder feed chute. Always use stomper. Never operate without tray in place. Secure long hair and loose clothing before use. Disconnect power before assembling. Always read instructions.

1. Insert the Head into the Gear Housing with the feed chute of the Head facing straight up. You will need to line up the slot in the Head with the Pin inside the Gear Housing. Be sure the Head is seated fully into the Gear Housing. **(FIGURE 5)**



2. Tighten the Head Locking Knob to lock the Head into place.

3. Insert the Auger into the Head **(FIGURE 6)**. Align the Auger Splines with the Drive Shaft of the Grinder.

NOTE: Periodically inspect the Auger Bearing for wear. If the Auger Bearing has excessive wear, replace it to prevent head damage.

4. Slide the Stuffing Star over the round portion of the Auger Pin.

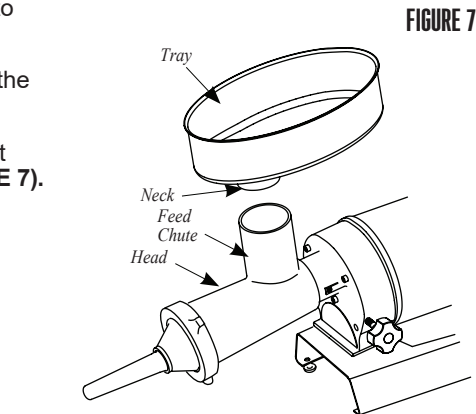
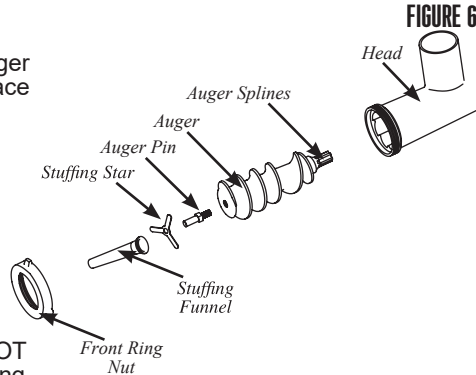
5. Slide one of the Stuffing Funnels through the Flange and place it through the Front Ring Nut.

6. Install the Front Ring Nut, DO NOT OVERTIGHTEN. Turn the Front Ring Nut until it makes contact with the Flange, then make 1/4 turn more to tighten into place.

7. Insert the neck of the Tray into the Feed Chute **(FIGURE 7)**.

8. NEVER operate Grinder without the Tray secured in place **(FIGURE 7)**.

REFER TO "STUFFING INSTRUCTIONS"

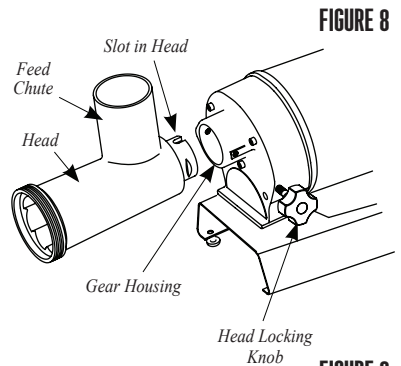


# HIGH-SPEED STUFFER ASSEMBLY INSTRUCTIONS

**⚠ WARNING Entanglement Hazard.** To avoid serious or fatal injury, never reach into grinder feed chute. Always use stomper. Never operate without tray in place. Secure long hair and loose clothing before use. Disconnect power before assembling. Always read instructions.

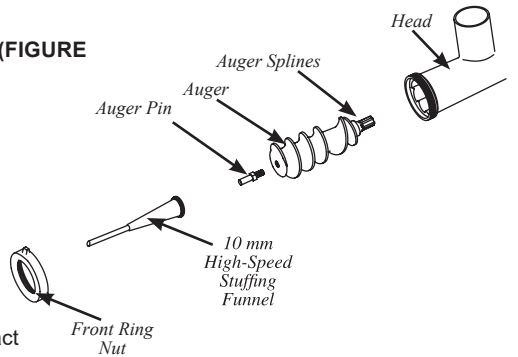
NOTE: The High Speed Stuffing System is designed for use with the 10 mm Funnel ONLY. DO NOT attempt to use the High-Speed Plastic Auger with any other Funnels. SERIOUS DAMAGE to the Grinder Head and other components may occur. Follow the "Standard Stuffer Assembly Instructions" located in this manual, when using the 20, 30, or 40 mm Funnels.

1. Insert the Head into the Gear Housing with the feed chute of the Head facing straight up. You will need to line up the slot in the Head with the Pin inside the Gear Housing. Be sure the Head is seated fully into the Gear Housing (FIGURE 8).



2. Tighten the Head Locking Knob to lock the Head into place.

3. Insert the Auger into the Head (FIGURE 9). Align the Auger Splines with the Drive Shaft of the Grinder.



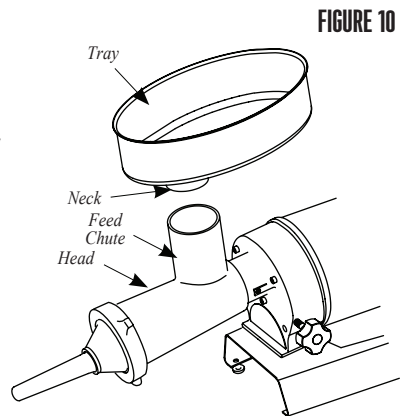
4. Slide the 10 mm stuffing funnel onto the Auger Pin making sure the square part of the internal plastic auger fully seats onto the square portion of the Auger Pin.

5. Install the Front Ring Nut, DO NOT OVERTIGHTEN. Turn the Front Ring Nut until it makes contact with the Flange, then make 1/4 turn more to tighten into place.

6. Insert the neck of the Tray into the Feed Chute (FIGURE 10).

7. NEVER operate Grinder without the Tray secured in place (FIGURE 10).

REFER TO "STUFFING INSTRUCTIONS"



## STUFFING INSTRUCTIONS

**⚠ WARNING Entanglement Hazard.** To avoid serious or fatal injury, never reach into grinder feed chute. Always use stomper. Never operate without tray in place. Secure long hair and loose clothing before use. Disconnect power before assembling. Always read instructions.

**⚠ CAUTION Burn Hazard.** The Gear Housing and the Motor Cover may become HOT during operation. This is normal. DO NOT touch these parts during operation or until they cool after use.

1. After grinding the meat following the “Grinding Instructions”, mix the ground meat with the sausage seasonings.
2. Follow the “Stuffer Assembly Instructions” or the “High-Speed Stuffer Assembly Instructions” to fully assemble the Grinder as a Stuffer including the Tray.

**NOTE:** While one person can stuff sausage with this Grinder, it is recommended that two people perform this operation. For best results when using the High-Speed Stainless Steel 10 mm Stuffing Funnel do not grind the meat through the 4.5 mm Grinding Plate.

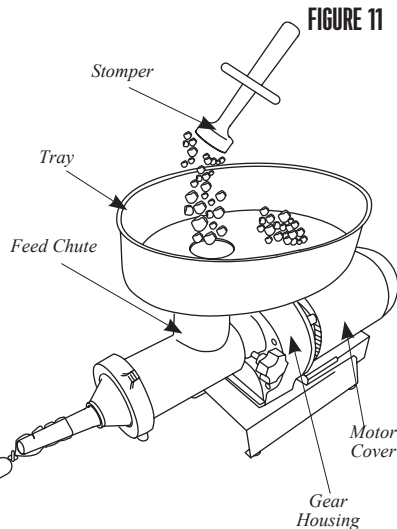
3. Place seasoned ground meat into the Tray. Do not overfill the Tray, place just enough meat to leave the Feed Chute area open.

4. Slide a sausage casing over the Stuffing Funnel. See the “Sausage Information / Casing” section of this manual for more information.

5. Slide 4”-6” (10-15 cm) of casing from the end of the Stuffing Funnel and tie a knot in the end of the casing. If you are using large diameter fibrous casing, hold the closed end of the casing tightly against the end of the Stuffing Funnel (**FIGURE 11**).

6. Make sure the Grinder is in the “OFF” position. Attach the Grinder to the power supply.

7. Switch the Grinder to the forward “FWD” position. Carefully start feeding ground meat into the Feed Chute. **ONLY USE THE STOMPER TO PUSH MEAT INTO THE HEAD, DO NOT USE YOUR FINGERS OR ANY OTHER OBJECT.**



## ENGLISH INSTRUCTIONS

8. Hold the casing in place with one hand while feeding the sausage mixture through the Grinder. As the meat fills the casing, gently lay it on a clean, dry surface. NOTE: When using natural casings, use a wet surface.

9. Do not fill the last 3"-4" (7.5-10 cm) of casing. After the entire length of casing has been stuffed, twist the open end to close, then tie off the ends of the casing tightly to close. Twist into links.

10. Whenever stuffing sausage, fill the casing slowly to avoid air pockets. If air pockets do appear in the sausage use a pin to prick the bubbles. The small holes will seal naturally.

## CIRCUIT BREAKER INSTRUCTIONS

This Grinder is equipped with a Circuit Breaker as a safety precaution. If the Grinder stops running follow these steps to remedy:

1. Turn the Grinder to the "Off" position.
2. Check the Grinder to see if there is a jam in the Grinder Head. If there is, the jam needs to be cleared of the obstruction as outlined in "Grinding Tips".
2. Press the Circuit Breaker Reset Button (**FIGURE 13**).
3. Turn the Grinder back on and resume grinding.
4. If the Grinder still does not turn on, check that the electrical wall outlet is properly working. Plug in another appliance to see if that appliance works from the wall outlet. Check that the household circuit breaker has not been tripped. If none of the above steps remedy the situation, or if the Circuit Breaker repeatedly shuts off the Grinder contact a customer service for further assistance.

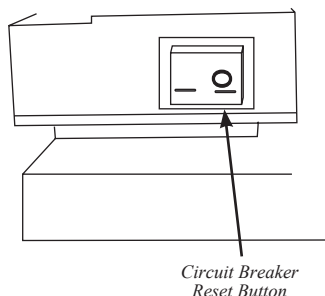
**WARNING!** DO NOT continue to use the Grinder if the Circuit Breaker trips repeatedly. Continued use may cause permanent damage to the Grinder and will void the warranty.

**PLEASE NOTE:** This **Grinder** features an all hardened steel gear transmission. This causes the **Grinder** to operate at a higher volume and temperature than other **Grinders**. This is normal and will not affect the **Grinder's** performance.

## GRINDING TIPS

- DO NOT over-tighten the Front Ring Nut. It should be firmly tight.
  - Make sure the Grinding Knife blades lay flat on the Grinder Plate.
  - DO NOT operate the Grinder without meat in the Head. Running the Grinder while dry could damage the Head and Auger.
  - ALWAYS lubricate the Head, Grinding Plate and Grinding Knife with a food-grade silicone spray after cleaning.
  - If the Grinder Plate becomes jammed/clogged during operation, follow these steps to restore normal output.
  - Turn the Grinder "OFF" and disconnect the Power Cord from the electrical outlet.
  - Remove the Front Ring Nut and Grinding Plate.
  - Thoroughly clean the Grinding Plate. Make sure all of the holes are clear.
  - Re-install the Grinding Plate and Front Ring Nut.
  - Re-connect the Grinder to the electrical outlet.
- Continue with grinding.
- Repeat as necessary.

**FIGURE 13**



# FOOD SAFETY

There are basic rules to follow when handling food. They are **COOK, SEPARATE, CLEAN, and CHILL.**

## COOK

It's crucial to cook food to a safe internal temperature to destroy bacteria that is present. The safety of hamburgers and other foods made with ground meat has been receiving a lot of attention lately, and with good reason. When meat is ground, the bacteria present on the surface is mixed throughout the ground mixture. If this ground meat is not cooked to at least 160°F to 165°F (71°C to 74°C), bacteria will not be destroyed and there's a good chance you will get sick.

Solid pieces of meat like steaks and chops don't have dangerous bacteria like E. coli on the inside, so they can be served more rare. Still, any beef cut should be cooked to an internal temperature of at least 145°F (63°C) (medium rare). The safe temperature for poultry is 165°F (74°C) and solid cuts of pork should be cooked to 145°F (63°C).

## SEPARATE

Foods that will be eaten uncooked and foods that will be cooked before eating **MUST ALWAYS** be separated. Cross-contamination occurs when raw meats or eggs come in contact with foods that will be eaten uncooked. This is a major source of food poisoning. Always double-wrap raw meats and place them on the lowest shelf in the refrigerator so there is no way juices can drip onto fresh produce. Then use the raw meats within 1-2 days of purchase, or freeze for longer storage. Defrost frozen meats in the refrigerator, not on the counter.

When grilling or cooking raw meats or fish, make sure to place the cooked meat on a clean platter. Don't use the same platter you used to carry the food out to the grill. Wash the utensils used in grilling after the food is turned for the last time on the grill, as well as spatulas and spoons used for stir-frying or turning meat as it cooks.

Make sure to wash your hands after handling raw meats or raw eggs. Washing hands with soap and water, or using a pre-moistened antibacterial towelette is absolutely necessary after you have touched raw meat or raw eggs. Not washing hands and surfaces while cooking is a major cause of cross-contamination.

## CLEAN

Wash your hands and work surfaces frequently when you are cooking. Washing with soap and warm water for at least 15 seconds, then dry with a paper towel.

## CHILL

Chilling food is very important. The danger zone where bacteria multiply is between 40°F and 140°F (4°C and 60°C). Your refrigerator should be set to 40°F (4°C) or below; your freezer should be 0°F (-18°C) or below. Simple rule: serve hot foods hot, cold foods cold. Use chafing dishes or hot plates to keep food hot while serving. Use ice water baths to keep cold foods cold. Never let any food sit at room temperature for more than 2 hours - 1 hour if the ambient temperature is 90°F (32°C) or above. When packing for a picnic, make sure the foods are already chilled when they go into the insulated hamper. The hamper won't chill food - it just keeps food cold when properly packed with ice. Hot cooked foods should be placed in shallow containers and immediately refrigerated so they cool rapidly. Make sure to cover foods after they are cool.

**NOTE:** Special considerations must be made when using venison or other wild game, since it can become heavily contaminated during field dressing. Venison is often held at temperatures that could potentially allow bacteria to grow, such as when it is being transported. Refer to the USDA Meat and Poultry Department for further questions or information on meat and food safety.



# SAUSAGE INFORMATION

## MEAT SELECTION FOR SAUSAGE MAKING

Sausage making has evolved over many years and generations, and as a result there are countless types of sausage you can make using the basic ingredients of meat, fat and a few carefully blended spices. Following are a few simple guidelines that will help you make the best tasting sausage possible.

Any type of meat can be used for making sausage: pork, beef, bison, moose and caribou, even antelope make great sausage. It is important when preparing venison or other red game meats to trim all the fat from the meat, as red game tallow will turn rancid in as few as five days. Replace the fat with either pork or beef fat, depending on the type of product you are making, at a ratio of 1 pound (0.5 kg) of fat for every 4 pounds (1.8 kg) of game meat.

The fat content of your sausage will affect the taste, texture, cooking characteristics and shelf life of your product. Most commercially made sausage has a fat content of about 20%. Using less than 12% fat will result in a very dry tasting sausage, while using more than 20% may result in a sticky flavorless sausage that will be difficult to cook.

## CURING

It is important to properly cure meats to preserve meat and poultry, and to destroy undesirable microorganisms on the meat surfaces that cause spoilage and foodborne illnesses. There are many steps that help in this process, including smoking, cooking, drying, chilling and the addition of cure ingredients. The oldest means of accomplishing this is by introducing salt into the meat. The resistance of bacteria to salt varies widely among different types of bacteria. The growth of some bacteria is inhibited by salt concentrations as low as 3%, e.g., Salmonella, whereas other types are able to survive in much higher salt concentrations, e.g., Staphylococcus. Fortunately, the growth of many undesirable organisms normally found in cured meat and poultry products is inhibited at low concentrations of salt.

Modern curing is based on Nitrates and is very scientific. Purchase Weston Pink Curing Salt (02-0000-W) and follow the included instructions to ensure that you are properly curing your homemade sausage.

## CASING

Weston offers a complete variety of casings. The right choice depends on personal preference as well as the type of sausage you wish to make. For most sausages, your choices are natural or collagen. Don't let the names fool you; collagen casings are not a synthetic. They are made from beef skin and other tissues. Collagen casings are uniform in size and texture and require almost no preparation. "Natural" casings are the intestines of lamb, sheep, hogs or beef. They are less uniform in size and require preparation. There are also fibrous non-edible casings that are most commonly used for summer sausage and ring bologna.

## TYPES OF SAUSAGE

Most sausages fall into one of four categories: Fresh, Smoked, Cooked or Dried. All sausages, except dried, require refrigerated storage. There is also a sub-category of uncooked smoked sausages.

Among the fresh and uncooked smoked sausages, you will find such flavors as kielbasa or Polish sausage, Italian sausage, breakfast sausage and many others. Both fresh and uncooked smoked sausages require cooking before eating and also require refrigerated storage.

Smoked and cooked sausages include salami, bologna, the ever-popular hot dogs and many others. Proper smoking requires a smokehouse or smoker. Weston offers Outdoor Propane Smokers in a variety of sizes (41-0701-W, 41-0301-W, or 41-0401-W). Most smoked sausages are warmed before serving. Many people think that a smoked sausage will last much longer without spoilage, but this is not true. Smoked sausages should be treated the same as fresh sausage in terms of storage.

Dried sausages require the longest processing time, as they are air dried over a long period of time. Dry cured sausages include salami, chorizo, pepperoni, among others. The conditions under which the meat is dried are very exacting; temperature, time and humidity must all be carefully monitored for a safe and delicious product.

## STORAGE

For the best flavors, we recommend vacuum sealing your fresh sausages, then storing them in the refrigerator (short term) or freezer (long term). Weston manufactures a variety of vacuum sealers. Ask the retailer from which you purchased this unit for their selection. Store dry cured products in paper or other breathable wrapping, unrefrigerated.

## FIVE-YEAR LIMITED WESTON WARRANTY

This warranty applies to products purchased and used in the U.S. and Canada. This is the only express warranty for this product and is in lieu of any other warranty or condition.

This product is warranted to be free from defects in material and workmanship for a period of five (5) years from the date of original purchase. During this period, your exclusive remedy is repair or replacement of this product or any component found to be defective, at our option. If the product or component is no longer available, we will replace with a similar one of equal or greater value.

This warranty does not cover unauthorized repairs or service to products, products sold “as-is” by retailers, glass, filters, wear from normal use, use not in conformity with the printed directions, or damage to the product resulting from accident, alteration, abuse, or misuse. This warranty extends only to the original consumer purchaser or gift recipient and is not transferable. Keep the original sales receipt, as proof of purchase is required to make a warranty claim. This warranty is void if the product is subjected to any voltage and waveform other than as specified on the rating label (e.g., 120V ~ 60 Hz).

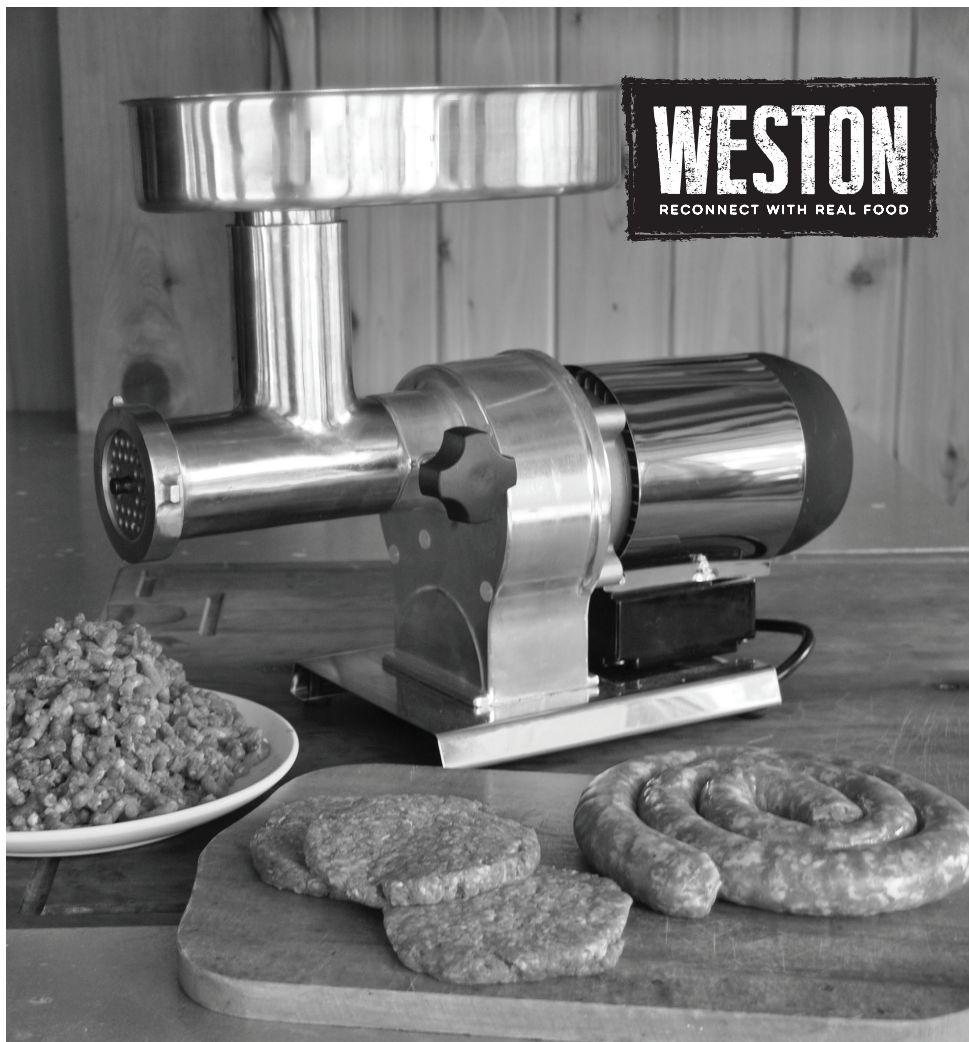
We exclude all claims for special, incidental and consequential damages caused by breach of express or implied warranty. All liability is limited to the amount of the purchase price. **Every implied warranty, including any statutory warranty or condition of merchantability or fitness for a particular purpose, is disclaimed except to the extent prohibited by law, in which case such warranty or condition is limited to the duration of this written warranty.**

This warranty gives you specific legal rights. You may have other legal rights that vary depending on where you live. Some states or provinces do not allow limitations on implied warranties or special, incidental, or consequential damages, so the foregoing limitations may not apply to you.

Before returning the product for any repair or service: it must be clean and free from any food particles or other debris; otherwise, we will return it or impose a \$50 cleaning surcharge, at our option.

To make a warranty claim, do not return this appliance to the store. Please call 1.800.814.4895 (001.216.901.6801 outside the US) or visit [WestonBrands.com](http://WestonBrands.com). You are responsible for all costs associated with shipping us the product freight prepaid. If the product qualifies for a warranty repair or replacement, we will bear the cost of returning it to you. We are not responsible for shipping damage.

For non-warranty work: Please call 1.800.814.4895 (001.216.901.6801 outside the US), to obtain a Return Merchandise Authorization Number (RMA Number). We will refuse all returns without an RMA Number. We charge US\$35/hour for all diagnostic, service, repair and processing work. We will not start any service or repair work without prior authorization. You are responsible for all costs associated with shipping us the product freight prepaid and our returning it to you.



**WESTON**

RECONNECT WITH REAL FOOD

**BUTCHER SERIES**

# **MOLINO ELÉCTRICO**

DEBIDO A CONSTANTES MEJORAS EN LA FÁBRICA, EL PRODUCTO QUE SE MUESTRA PUEDE SER LIGERAMENTE DIFERENTE DEL PRODUCTO EN ESTA CAJA.

# SALVAGUARDIAS IMPORTANTES

**ADVERTENCIA** – Cuando utilice artefactos eléctricos, siempre deben seguirse precauciones de seguridad básicas a fin de reducir el riesgo de incendio, descarga eléctrica, y/o lesiones a personas, incluyendo las siguientes:

1. Lea todas las instrucciones.
2. Este aparato no se destina para utilizarse por personas (incluyendo niños) cuyas capacidades físicas, sensoriales o mentales sean diferentes o estén reducidas, o carezcan de experiencia o conocimiento, a menos que dichas personas reciban una supervisión o capacitación para el funcionamiento del aparato por una persona responsable de su seguridad.
3. Este electrodoméstico no debe ser utilizado por niños. Mantenga el electrodoméstico y su cable fuera del alcance de los niños.
4. Se requiere de una estrecha supervisión cuando el aparato se use cerca de niños. Los niños deben supervisarse para asegurar que ellos no empleen los aparatos como juguete.
5. Verifique que el voltaje de su instalación corresponda con el del producto.
6. APAGUE el electrodoméstico (●) y, después, desenchúfelo del tomacorriente cuando no esté en uso, antes de armar o desarmar piezas y antes de limpiarlo. Para desenchufarlo, tome el enchufe y retírelo del tomacorriente. Nunca tire del cable eléctrico.
7. Conecte el molino en un tomacorriente estándar de 120 volts y 60 Hz. Revise si el voltaje indicado en el aparato corresponde al voltaje de su localidad antes de conectarlo.
8. No opere ningún aparato con cables o enchufe dañados o después de que el aparato funcione mal o se caiga o dañe de cualquier manera. El reemplazo del cable de suministro y las reparaciones deben ser efectuadas por el fabricante, su agente de servicio, o personas igualmente calificadas para poder evitar un peligro. Llame al número de servicio al cliente proporcionado para información sobre examinación, reparación o ajuste.
9. El uso de aditamentos no recomendados o vendidos por el fabricante del aparato pueden causar un riesgo de lesiones personales.
10. Para protegerse contra un riesgo de descarga eléctrica, no ponga el cable, enchufe, base o motor en agua o cualquier otro líquido.
11. Antes de enchufar el cable en el tomacorriente, apague el artefacto. Para desconectar el cable, cambie el interruptor a OFF (●/apagado). Luego quite el enchufe del tomacorriente de pared.
12. Nunca coloque alimentos con la mano. Siempre utilice el pisón de alimentos provisto. Mantenga los dedos alejados del tornillo sin fin y de las cuchillas de corte en todo momento. Nunca meta los dedos dentro del molino. Hacerlo puede provocar una lesión grave.
13. Nunca utilice los dedos para raspar alimentos de la cuchilla mientras el molino está en funcionamiento. Pueden producirse lesiones graves.
14. Nunca tenga funcionando el molino sin vigilancia. Sea prudente, desconecte el molino de la fuente de corriente antes de dejar el área de trabajo.
15. Nunca introduzca alimentos con la mano. Siempre use el empujador de alimentos. Espere hasta que todas las partes móviles se hayan detenido antes de remover cualquier parte del molino.
16. Para reducir el riesgo de lesiones personales graves, y/o daños al molino, recójase el pelo suelto y la ropa y enróllese las mangas antes de manejar el molino. Quitese la corbata, anillos, relojes, brazaletes y demás joyería antes de manejar el molino.
17. Revise que el molino esté en una superficie de trabajo estable. Revise que estén estables las patas del molino.
18. No lo coloque sobre o cerca de un quemador caliente eléctrica o a gas, o dentro de un



- horno caliente.
19. NO opere el molino sin carne en el cabezal. Pueden ocurrir daños severos en el cabezal y en el tornillo sinfin.
  20. Use protección en los ojos. Utilice gafas de seguridad. Los anteojos ópticos no son protección de seguridad. Las gafas de seguridad cumplen con los requerimientos de la norma ANSI Z87.1. NOTA: las gafas de seguridad aprobadas tienen impresa o estampada la clave Z87.
  21. NO la use en exteriores.
  22. No use el aparato eléctrico para ningún otro fin que no sea el indicado.
  23. No deje que el cable cuelgue del borde de la mesa o cubierta o toque superficies calientes, incluyendo el horno.
  24. NO intente operar el molino si el molino está frío. La temperatura del molino debe ser de al menos 45°F (7°C) antes de comenzar.
  25. El gabinete de engranes y la tapa del motor pueden calentarse durante la operación. Esto es normal. NO toque estas partes durante la operación, o hasta que se enfrien después del uso.
  26. ¡ADVERTENCIA! Los huesos rotos y astillados pueden ingresar al tracto digestivo de las mascotas y causar daños severos, incluso la muerte, debido a la perforación de los intestinos o incluso del estómago.
  27. Este molino puede moler huesos más pequeños y blandos de animales tales como conejo, pollos enteros o cuartos de pollo, y otras aves, debido a la potencia y la construcción totalmente metálica de las unidades.
  28. Evite moler huesos animales grandes y densos ya que son muy difíciles de procesar (por ejemplo, huesos como los que se encuentran en animales de caza, cerdos o reses).
  29. La cuchilla molidora es filosa. Manéjela con cuidado.
  30. ¡PRECAUCIÓN! A fin de evitar un riesgo debido a la reconfiguración inadvertida de la protección térmica, este artefacto no debe recibir suministro mediante un dispositivo de derivación externo, como un temporizador, o conectarse a un circuito que la empresa de servicio regularmente activa y desactiva.

## GUARDE ESTAS INSTRUCCIONES



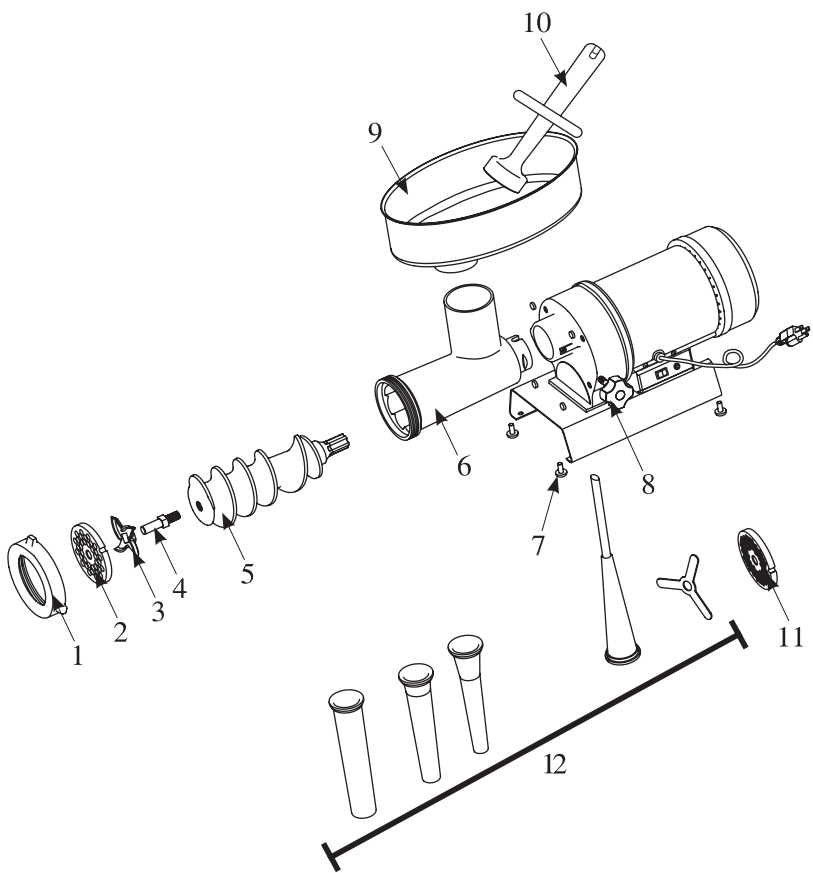
## LISTA DE COMPONENTES

NÚMERO DE DIAGRAMA	DESCRIPCIÓN DE LA PIEZA
1	TUERCA DEL ANILLO FRONTAL
2	PLACA DEL MOLINO DE 4.5 MM
3	NAVAJA DEL MOLINO
4	PERNO DEL TORNILLO SINFIN
5	TORNILLO SINFIN
6	CABEZAL DE ACERO INOXIDABLE
7	PATA DE CAUCHO CON TUERCAS (4)
8	PERILLA DE BLOQUEO DEL CABEZAL
9	BANDEJA DE ACERO INOXIDABLE
10	PISÓN DE SEGURIDAD
11	PLACA DEL MOLINO DE 7 MM
12	MONTAJE EMBUTIDORA

MONTAJE EMBUTIDORA
ESTRELLA DE RELLENADO DE ACERO INOXIDABLE
EMBUDO DE 10 MM DE ACERO INOXIDABLE DE ALTA VELOCIDAD
EMBUDO 20 MM
EMBUDO 30 MM
EMBUDO 40 MM

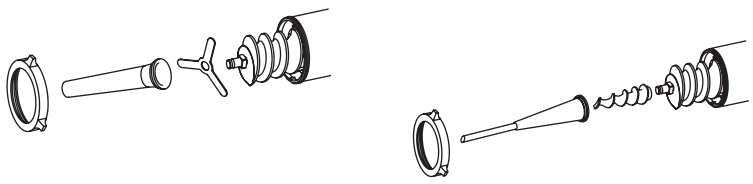
Si cualquier componente de esta unidad está roto, si no funciona debidamente, o si necesita un instructivo de repuesto, visítenos en la Web en

**WestonSupply.com**



**MONTAJE EMBUTIDORA**

**ALTA VELOCIDAD RELLENO  
AUGER ASAMBLEA**



## INSTRUCCIONES PARA EL DESEMPAQUE

Retire todas las partes del material de empaque y verifique que no falte ninguna.

Conserve el material de empaque para almacenar el molino y las partes del molino cuando no esté en uso.

**ANTES DEL PRIMER USO:** Después de desempacar la unidad, lave todo en agua caliente jabonosa con excepción del montaje de la base del motor del molino. Enjuague y seque bien. Limpie el montaje de la base con un paño o esponja húmedos.

## INFORMACIÓN DE SEGURIDAD ADICIONAL

**⚠ ADVERTENCIA Peligro de Descarga Eléctrica:** Este aparato es provisto con un enchufe con conexión a tierra (3 clavijas) para reducir el riesgo de una descarga eléctrica. El enchufe calza únicamente en una dirección dentro de un tomacorriente con conexión a tierra. No elimine el propósito de seguridad del enchufe modificando el enchufe de ninguna manera o usando un adaptador. Si el enchufe no entra en la toma, haga que un electricista reemplace la toma.

La longitud del cable usado para este aparato fue seleccionado para reducir los riesgos de enredarse o tropezarse con un cable más largo. Si se necesita un cable más largo se puede usar una extensión aprobada. La clasificación eléctrica de la cable extensión debe ser igual o mayor que la clasificación del aparato. El cable de extensión debe ser del tipo de conexión a tierra con 3 cables. Es importante tener cuidado de colocar el cable de extensión para que no se pliegue sobre el mostrador o la mesera en donde niños puedan tirar del mismo o tropezarse accidentalmente. Si el montaje de cuchillas de corte se traba y no se mueve, se dañará el motor. No lo utilice. Llame al número gratuito de atención al cliente para información.



# INSTRUCCIONES DE LIMPIEZA

**⚠ ADVERTENCIA Peligro de descarga eléctrica.** Desconecte la energía antes de limpiar, desmontar o montar la unidad. No sumerja el cable, el enchufe o el motor en agua o en otro líquido.

**ANTES DEL PRIMER USO:** Después de desempacar la unidad, lave todo en agua caliente jabonosa con excepción del montaje de la base del motor del molino. Enjuague y seque bien. Limpie el montaje de la base con un paño o esponja húmedos.

1. Desenchufe el molino de carne del tomacorriente de pared.
2. Retire el cabezal del motor del molino.
3. Desarme el conjunto del cabezal.
4. Lave con agua jabonosa caliente todas las partes que entren en contacto con la carne. **PROCURE LIMPIAR LAS PARTES INMEDIATAMENTE DESPUÉS DE USARLAS. ¡NO SUMERJA EL MOTOR EN AGUA NI EN NINGÚN OTRO LÍQUIDO!**
5. Enjuague las partes del molino con agua caliente limpia y séquelas **INMEDIATAMENTE.**
6. Lubrique completamente el cabezal, las placas y la navaja con un atomizador de silicona para uso con alimentos antes y después de cada uso.
7. Limpie la cubierta del motor y el gabinete de engranajes con una toalla húmeda y séquelos.

**IMPORTANTE:** Cualquier parte mecánica debe recubrirse con un atomizador de silicona para uso con alimentos para evitar la oxidación; si no se protegen de forma adecuada, estas partes comenzarán a oxidarse de forma muy rápida. No use partes oxidadas.

8. Hacer agria el molino y todos los componentes son completamente seco llame antes de montar el oro almacenamiento.

## DESINFECCIÓN

Desinfecte todas las piezas que hagan contacto con los alimentos por lo menos una vez por día y/o inmediatamente después de cada uso. Desinfecte utilizando 1 cucharada (15 ml) de lejía doméstica por 1 galón (3.8 litro) de agua limpia y fría (60°F/16°C), mezclada de acuerdo con las instrucciones de la lejía.

1. Sumerja todas las partes que hagan contacto con los alimentos en la solución desinfectante durante 2 minutos.
2. Limpie la parte exterior con un paño suave humedecido con solución desinfectante.
3. **Cuando esté lista para usar**, enjuague con agua limpia.

## INSTRUCCIONES DE ENSAMBLE DEL MOLINO

**⚠️ ADVERTENCIA Riesgo de enredo.** Para evitar lesiones graves o mortales, nunca coloque las manos dentro de la tolva de alimentación del molino. Siempre use el pisón. No opere sin la bandeja en su lugar. Asegure el cabello largo y la ropa suelta antes de usar. Desconecte la energía antes del montaje. Siempre lea las instrucciones.

1. Inserte el cabezal en el gabinete de engranajes con la tolva de alimentación hacia arriba. Necesitará alinear la ranura en el cabezal con el pasador dentro del gabinete de engranajes. Asegúrese de que el cabezal esté totalmente asentada dentro del gabinete de engranajes (**FIGURA 1**).

2. Apriete la perilla de bloqueo del cabezal para fijar el cabezal en su lugar.

3. Inserte el tornillo sinfín dentro del cabezal (**FIGURA 2**). Alinee las tiras del tornillo sinfín con el eje de transmisión del molino.

4. Coloque el cuchillo en el extremo cuadrado del perno del tornillo sinfín (**FIGURA 2**). Asegúrese de que las navajas de la cuchilla miran hacia afuera.

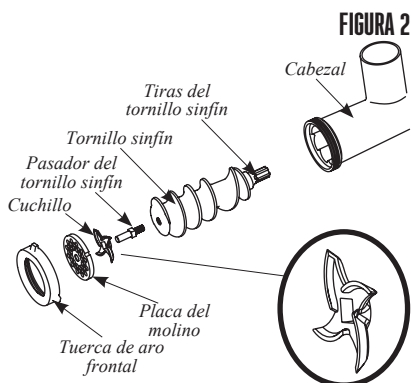
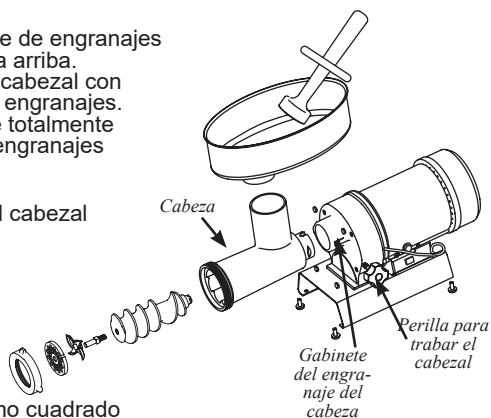
5. Coloque una de las placas del molino sobre el pasador del tornillo sinfín; alinee la muesca en la placa del molino con el pasador en el cabezal del molino.

6. Instale la tuerca del anillo frontal, **NO APRIETE DEMASIADO**. Gire la tuerca del anillo frontal hasta que haga contacto con la placa del molino, gire otro 1/4 de vuelta para apretarla en su lugar.

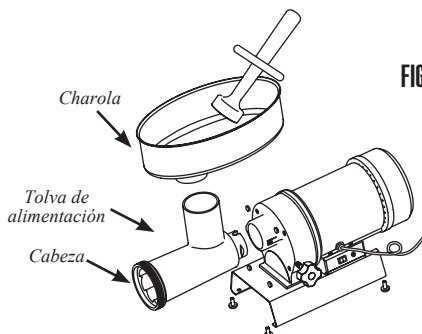
7. Inserte el cuello de la bandeja en la tolva de alimentación (**FIGURA 3**).

8. **NUNCA** opere el molino sin haber asegurado la bandeja en su lugar (**Figura 3**).

REMÍTASE A LAS “INSTRUCCIONES DE MOLIDO”



**NOTA:** Asegúrese de que las navajas de la **cuchilla** miran hacia afuera.



**FIGURA 3**

# INSTRUCCIONES PARA MOLER

**⚠ ADVERTENCIA Riesgo de enredo.** Para evitar lesiones graves o mortales, nunca coloque las manos dentro de la tolva de alimentación del molino. Siempre use el pisón. No opere sin la bandeja en su lugar. Asegure el cabello largo y la ropa suelta antes de usar. Desconecte la energía antes del montaje. Siempre lea las instrucciones.

**⚠ PRECAUCIÓN Peligro de quemaduras.** El gabinete de engranes y la tapa del motor pueden CALENTARSE durante la operación. Esto es normal. NO toque estas partes durante la operación, o hasta que se enfríen después del uso.

1. Siga las "Instrucciones de ensamble del molino" para ensamblar completamente el molino incluida la charola.

NOTA: Es mejor moler la carne utilizando primero la placa del molino gruesa de 7 mm. Si se desea un molido más fino de la carne, pase la carne molida gruesa a través del molino una segunda vez utilizando la placa de molino fino de 4.5 mm.

2. Recorte de todos los cordones, tendones, huesos, etc. de la carne.

3. Para mejores resultados, asegúrese de que toda la carne se haya enfriado a una temperatura de 32-34°F (0-1°C) antes de molerla. No permita que la carne esté a temperatura ambiente por más tiempo del que sea absolutamente necesario. Siga cuidadosamente las instrucciones de "Seguridad alimenticia" impartidas por la USDA.

4. Corte la carne en pedazos lo suficientemente pequeños como para que quepan en la tolva de alimentación. Cubos de aproximadamente 1" (2.5 cm).

5. Coloque los cubos de carne que se van a moler en la charola. No llene demasiado la charola, coloque solo suficiente carne para dejar abierta el área de la tolva de alimentación.

6. Coloque un plato o un cuenco para recolectar la carne molida en el extremo del cabezal del molino (**FIGURA 4**).

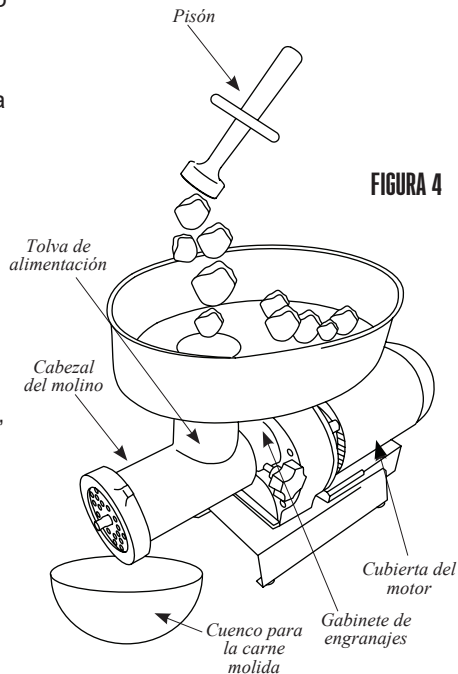


FIGURA 4

## RELLENADOR ESTÁNDAR INSTRUCCIONES DE ENSAMBLADO

**⚠ ADVERTENCIA Riesgo de enredo.** Para evitar lesiones graves o mortales, nunca coloque las manos dentro de la tolva de alimentación del cabezal del molino. Siempre use el pisón. No opere sin la bandeja en su lugar. Asegure el cabello largo y la ropa suelta antes de usar. Desconecte la energía antes del montaje. Siempre lea las instrucciones.

1. Inserte el cabezal en el gabinete de engranajes con la tolva de alimentación del cabezal hacia arriba. Necesitará alinear la ranura en el cabezal dentro del gabinete de engranajes. Asegúrese de que el cabezal esté totalmente asentada dentro del gabinete de engranajes (**FIGURA 5**).

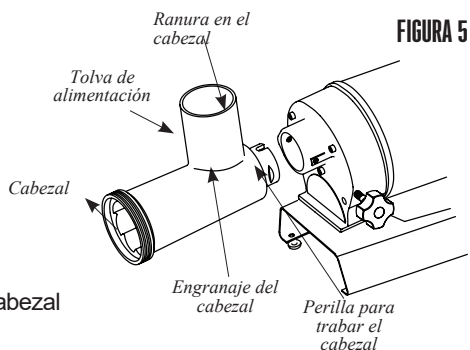


FIGURA 5

2. Apriete la perilla de bloqueo del cabezal para fijar el cabezal en su lugar.

3. Inserte el tornillo sinfín dentro del cabezal (**FIGURA 6**). Alinee las tiras del tornillo sinfín con el eje de transmisión del molino.

4. Coloque la estrella de relleno en el extremo redondo del perno del taladro.

5. Deslice uno de los embudos de relleno a través de la brida y para hacerlo a través de la tuerca de anillo frontal.

6. Instale la tuerca del anillo frontal, **NO APRIETE DEMASIADO**. Gire la tuerca del anillo frontal hasta que haga contacto con la brida, gire otro 1/4 de vuelta para apretarla en su lugar.

7. Inserte el cuello de la bandeja en la tolva de alimentación (Figura 7).

8. **NUNCA** opere el molino sin haber asegurado la bandeja en su lugar (Figura 7).

REMÍTASE A LAS "INSTRUCCIONES E RELLENADO"

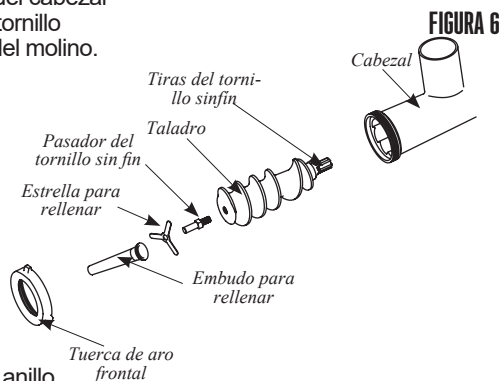


FIGURA 6

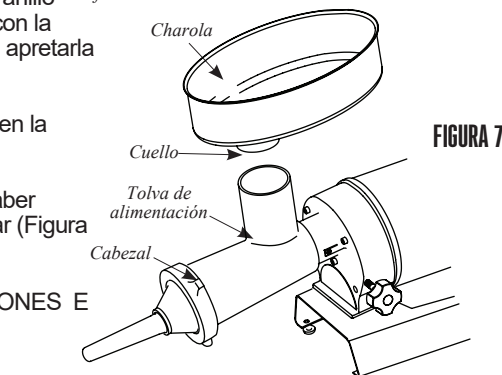


FIGURA 7

# ALTA VELOCIDAD DE INSTRUCCIONES DE MONTAJE EMBUTIDORA

**⚠ ADVERTENCIA Riesgo de enredo.** Para evitar lesiones graves o mortales, nunca coloque las manos dentro de la tolva de alimentación del molino. Siempre use el pisón. No opere sin la bandeja en su lugar. Asegure el cabello largo y la ropa suelta antes de usar. Desconecte la energía antes del montaje. Siempre lea las instrucciones.

NOTA: El sistema de rellenado de alta velocidad está diseñado para utilizarlo ÚNICAMENTE con el embudo de 10 mm. NO trate de utilizar el tornillo sinfín plástico de alta velocidad con ningún otro embudo. Pueden ocurrir DAÑOS GRAVES en el cabezal del molino y otros componentes. Siga las "Instrucciones estándar de ensamblaje del rellenador" que se encuentran en este manual cuando utilice los embudos de 20, 30, o 40 mm.

1. Inserte el cabezal dentro del gabinete de engranajes con la tolva de alimentación del cabezal hacia arriba. Necesitará alinear la ranura en el cabezal con el pasador dentro del gabinete de engranajes. Asegúrese de que el cabezal esté completamente asentado dentro del gabinete de engranajes (FIGURA 8).

2. Apriete la perilla de bloqueo del cabezal para bloquear el cabezal en su lugar.

3. Inserte el tornillo sinfín dentro del cabezal (FIGURA 9). Alinee las tiras del tornillo sinfín con el eje de transmisión del molino.

4. Deslice el embudo de relleno de 10 mm en el sinfín asegurándose de que la parte cuadrada del sinfín de plástico interno se asiente completamente en la parte cuadrada del perno del sinfín.

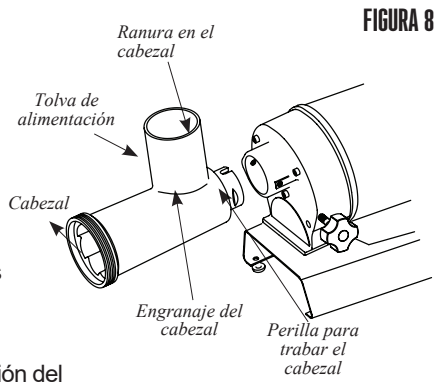


FIGURA 8

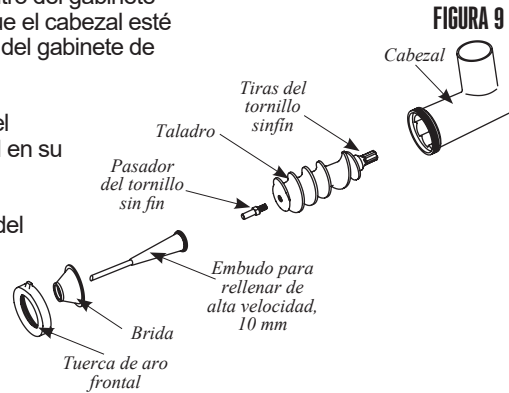


FIGURA 9

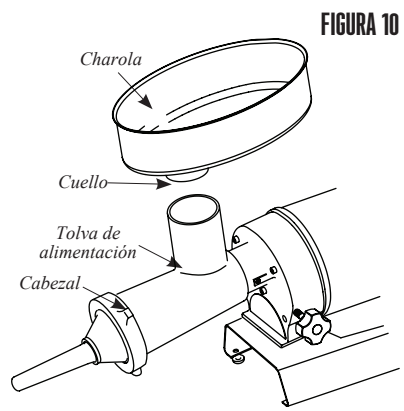


FIGURA 10

## INSTRUCCIONES DE RELLENADO

**⚠ ADVERTENCIA Riesgo de enredo.** Para evitar lesiones graves o mortales, nunca coloque las manos dentro de la tolva de alimentación del molino. Siempre use el pisón. No opere sin la bandeja en su lugar. Asegure el cabello largo y la ropa suelta antes de usar. Desconecte la energía antes del montaje. Siempre lea las instrucciones.

**⚠ PRECAUCIÓN Peligro de quemaduras.** El gabinete de engranes y la tapa del motor pueden CALENTARSE durante la operación. Esto es normal. NO toque estas partes durante la operación, o hasta que se enfrien después del uso.

1. Después de moler la carne siguiendo las "Instrucciones de molido", mezcle la carne molida con los condimentos para salchichas.

2. Siga las "Instrucciones de ensamblado del rellenador" o las "Instrucciones de ensamblado del rellenador de alta velocidad" para ensamblar completamente el molino como rellenador, incluida la charola.

NOTA: Aunque una sola persona puede rellenar salchichas con este molino, se recomienda que dos personas lleven a cabo esta operación. Para mejores resultados cuando utilice el embudo de rellenado de acero inoxidable de alta velocidad de 10 mm, no muele la carne a través de la placa de molido de 4.5 mm.

3. Coloque la carne molida y sazonada en la charola. No llene demasiado la charola, coloque solo suficiente carne para dejar abierta el área de la tolva de alimentación.

4. Deslice una punta para salchichas sobre el embudo de rellenado. Ver la sección de "Información de salchichas / fundas" de este manual para más información.

5. Deslice entre 4" y 6" (10-15 cm) de funda desde el extremo del embudo de rellenado y haga un nudo en el extremo de la funda. Si está utilizando una funda fibrosa de gran diámetro, mantenga el extremo cerrado de la funda firmemente contra el extremo del embudo de rellenado (**FIGURA 11**).

6. Asegúrese de que el molino se encuentra en la posición "OFF" (apagado). Conecte el molino al suministro de corriente.

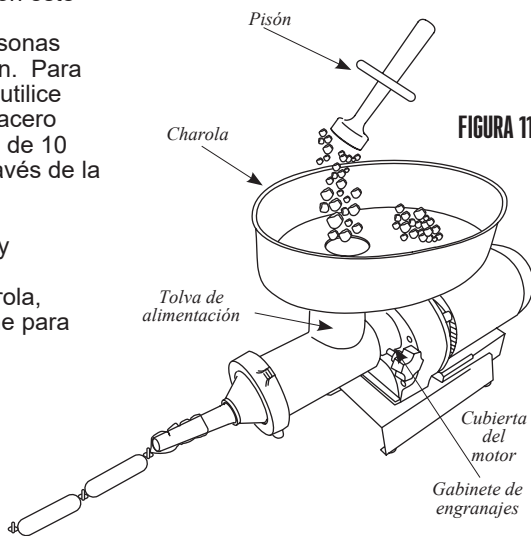


FIGURA 11

7. Lleve el molino a la posición "FWD" (adelante). Con cuidado, comience a introducir cubos de carne en la tolva de alimentación. **UTILICE ÚNICAMENTE EL PISÓN PARA EMPUJAR LA COMIDA DENTRO DEL CABEZAL, NO UTILICE SUS DEDOS NI NINGÚN OTRO OBJETO.**

8. Sostenga la funda en su lugar con una mano mientras alimenta la mezcla de salchichas a través del molino. A medida que la carne llena la funda, colóquela suavemente sobre una superficie limpia y seca. **NOTA:** Cuando utilice fundas naturales, utilice una superficie húmeda.

9. No rellene las últimas 3" - 4" (7.5-10 cm) de la funda. Después de rellenar toda la longitud de la funda, gire el extremo abierto para cerrarlo, luego amarre firmemente los extremos de la funda para cerrarlos. Haga giros para formar eslabones.

10. Siempre que rellene salchichas, rellene lentamente la funda para evitar bolsas de aire. Si aparecen bolsas de aire en la salchicha, utilice un alfiler para perforar las burbujas. Los pequeños agujeros se cerrarán de forma natural.

## INSTRUCCIONES PARA EL CORTADOR DE CIRCUITOS

Este molino está equipado con un cortador de circuitos como medida de precaución.

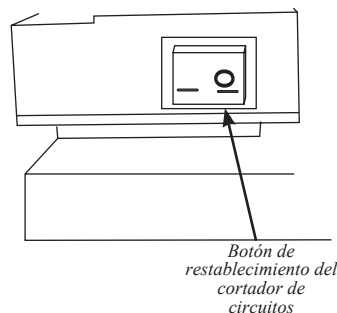
Si el molino deja de funcionar, siga estos pasos para solucionarlo:

1. Ponga el molino en la posición "Off" (apagado).
2. Revise el molino para ver si hay una obstrucción en el cabezal del molino. Si la hay, es necesario retirar la obstrucción como se describe en los "Consejos para el molido".
2. Presione el botón de reinicio del cortador de circuitos (FIGURA 13).
3. Vuelva a encender el molino y continúe moliendo.

4. Si el molino aún no gira, verifique que el tomacorriente esté funcionando de forma adecuada. Con este otro electrodoméstico para ver si funciona en ese tomacorriente. Verifique que no se haya disparado el cortador de circuitos de la casa. Si ninguno de los anteriores pasos soluciona la situación, o si el cortador de circuitos apaga el molino de manera repetida, póngase en contacto con servicio al cliente para mayor asistencia.

¡ADVERTENCIA! NO continúe utilizando el molino si el cortador de circuitos se dispara de forma repetida. Seguir utilizándolo puede causar daños permanentes al molino y anula la garantía.

FIGURA 13



**POR FAVOR TOME NOTA:** Este molino tiene todos los engranajes de la transmisión en acero endurecido. Esto hace que el **molino** funcione a un volumen y temperatura mayor de otros **molinos**. Esto es normal y no afecta el desempeño del **molino**.

## CONSEJOS PARA EL MOLIDO

- . NO apriete demasiado la tuerca del anillo frontal. Debe estar firmemente apretada
- . Asegúrese de que las navajas de la cuchilla de molido están planas sobre la placa del molino.
- . NO opere el molino sin carne en el cabezal. Hacer funcionar el molino en seco podría dañar el cabezal y el tornillo sinfín.
- . SIEMPRE lubrique el cabezal, la placa de molido y la cuchilla de molido con un atomizador de silicona para alimentos después de limpiarlos.

. Si la placa del molino se atasca durante la operación, siga estos pasos para restablecer el desempeño normal.

- . Apague el molino y desconecte el cable de corriente del tomacorriente.
- . Remueva la tuerca del anillo frontal y la placa de molido.
- . Limpie muy bien la placa de molido. Asegúrese de que todos los agujeros estén limpios.
- . Vuelva a instalar la placa de molido y la tuerca el anillo frontal.
- . Vuelva a conectar el molino al tomacorriente.
- . Continúe mordiendo.
- . Repita si es necesario.





# SEGURIDAD DE LOS ALIMENTOS

Hay que seguir ciertas reglas básicas al manejar alimentos. Las reglas son **COCINAR**, **SEPARAR**, **LIMPIAR** y **ENFRIAR**.

## COCINAR

Es muy importante cocinar los alimentos a una temperatura interna que destruya cualquier bacteria que esté presente. Últimamente se ha puesto mucha atención en la higiene de las hamburguesas y otros alimentos elaborados con carne molida y con razón. Cuando se muele la carne, las bacterias presentes en la superficie se revuelven en toda la mezcla de la carne molida. Si la carne molida no se cuece a por lo menos 71°C a 74°C (160°F - 165°F), no se destruyen las bacterias y hay una buena posibilidad de enfermarse.

Las piezas de carne sólida, como los filetes y las chuletas, no tienen en su interior bacterias peligrosas como le E. coli, por lo que pueden servirse menos cocidas. Aun así, cualquier corte de vacuno debe cocinarse a una temperatura interna de por lo menos 63°C (145°F) (medio cocido). La temperatura recomendable para las aves es de 75°C (165°F) y los cortes sólidos de carne de puerco deben cocinarse a 71°C (160°F).

## SEPARAR

SIEMPRE DEBE separar los alimentos que se comen crudos y los que se vayan a cocer antes de comerse. La contaminación cruzada se presenta cuando la carne o los huevos crudos entran en contacto con alimentos que se van a consumir sin cocimiento. Esta es una importante causa de intoxicaciones. Siempre use una doble envoltura para la carne cruda y colóquela en la repisa más baja del refrigerador, para que no haya manera de que su jugo gotee en las verduras frescas. Use la carne cruda 1 o 2 días después de comprarla, o congélela para guardarla más tiempo. Descongele la carne congelada en el refrigerador, no en el mesón de la cocina.

Cuando ase o cocine carne o pescado crudo, coloque la carne ya cocida en un platón limpio. No use el mismo platón que usó para llevar la carne al asador. Lave los utensilios usados en el asador después de haber volteado los alimentos por última vez, así como las cucharas y espátulas usadas para freír o para voltear la carne al estarla cocinando.

No olvide lavarse las manos después de manejar carne o huevos crudos. Es absolutamente necesario lavarse las manos con agua y jabón o usar una toallita húmeda antibacteriana después de tocar carne o huevos crudos. No lavarse las manos o las superficies cuando se cocina es una causa importante de contaminación cruzada.

## LIMPIAR

Lávese las manos y las superficies de trabajo con frecuencia mientras esté cocinando. Lávese con agua tibia y jabón durante por lo menos 15 segundos; después séquese con una toalla de papel.

## ENFRIAR

Es muy importante enfriar los alimentos. La zona de peligro para la multiplicación de bacterias está entre los 4°C y 60°C (40°F - 140°F). El refrigerador debe estar a 4°C (40°F) o menos; el congelador debe estar a -18°C (0°F) o menos. Regla básica: sirva calientes los alimentos calientes y sirva fríos los alimentos fríos. Use platos calientes para mantener caliente la comida a la hora de servirla. Use baños de agua con hielo para mantener fría la comida fría. Nunca deje ningún alimento a temperatura ambiente por más de 2 horas; o por más de 1 hora si la temperatura ambiente es de 32°C (90°F) o superior. Cuando empaque para un picnic, asegúrese de que la comida ya esté fría cuando la meta en la canasta aislada. La canasta no enfría la comida; sólo la mantiene fría si está debidamente empacada con hielo. Los alimentos cocidos calientes deben colocarse en recipientes bajos y refrigerarse de inmediato para que se enfríen rápidamente. No olvide cubrir los alimentos una vez que se enfríen..

NOTA: Debe tener especial consideración al usar venado y otra carne de caza, ya que puede contaminarse durante la preparación de campo. El venado suele mantenerse a temperaturas que podrían permitir el crecimiento de bacterias, como cuando se transporta. Consulte con el Departamento de Carnes y Aves de la USDA si tiene más preguntas o quiere más información sobre higiene de carne y alimentos.

# INFORMACIÓN DE LA SALCHICHA

## SELECCIÓN DE CARNE PARA HACER SALCHICHAS

La elaboración de salchichas ha evolucionado a lo largo de muchos años y generaciones, y como resultado, hay un sinnúmero de tipos de salchichas que puede hacer usando los ingredientes básicos como carne, grasa y algunas especias cuidadosamente combinadas. A continuación se presentan algunos lineamientos sencillos que le ayudarán a elaborar salchichas con el mejor sabor posible.

Se puede utilizar cualquier tipo de carne para elaborar embutidos: carne de cerdo, de res, de bisontes, de alces y de caribúes, incluso con la de antilope se hacen excelentes salchichas. En la preparación de la carne de venado o de otras carnes rojas de caza es importante quitar toda la grasa de la carne, ya que el sebo de la carne roja de caza se vuelve rancio en tan sólo cinco días. Reemplace la grasa, con grasa de cerdo o de vaca, dependiendo del tipo de producto que esté elaborando, en una proporción de 0.5 kg (1 lb) de grasa por cada 1.8 kg (4 lb) de carne de caza.

El contenido de grasa de la salchicha afectará el sabor, la textura, las características de cocción y la vida útil de su producto. La mayoría de las salchichas comerciales tienen un contenido de grasa de alrededor del 20%. El uso de menos de 12% de grasa dará lugar a una salchicha muy seca a la degustación, mientras que con más del 20% puede dar como resultado una salchicha sin sabor y pegajosa que será difícil de cocinar.

## CURADO

Es importante curar adecuadamente las carnes para conservarlas, y destruir los microorganismos indeseables en las superficies de la carne que causan su descomposición así como enfermedades derivadas de ésta. Hay muchas medidas que son de ayuda en este proceso, como el ahumado, la cocción, el secado, la refrigeración, y la adición de ingredientes para curado. Los medios más antiguos para lograr esto eran mediante la introducción de la sal en la carne. La resistencia de las bacterias a la sal varía ampliamente entre los diferentes tipos de bacterias. El crecimiento de algunas bacterias se inhibe por concentraciones de sal tan bajas como el 3% en por ejemplo la Salmonela, mientras que otros tipos son capaces de sobrevivir en concentraciones mucho más altas de sal, por ejemplo el estafilococo. Afortunadamente, el crecimiento de muchos organismos no deseados que normalmente se encuentran en los productos de carne y de aves de corral curadas se inhibe a concentraciones bajas de sal. El curado moderno se basa en nitratos y es muy científico. Adquiera Sal rosa para curar Weston (02-0000-W) y siga las instrucciones para asegurar que está curando adecuadamente su salchicha casera.

## FORRO

Weston ofrece una variedad completa de envoltorios. La elección correcta depende de su la preferencia personal, así como del tipo de salchicha que desea elaborar. Para la mayoría de las salchichas, sus opciones son naturales o de colágeno. No deje que los nombres le engañen; los forros de colágeno no son un producto sintético. Están hechos de piel de res y otros tejidos. Los forros de colágeno son uniformes en tamaño y textura y casi no requieren preparación. Los forros "naturales" son los intestinos de cordero, de ovejas, de cerdos o de res. Son menos uniformes en tamaño y requieren una preparación. También hay forros fibrosos no comestibles que se utilizan para algunas variedades de salchichas y mortadelas ahumadas. También hay envoltorios fibrosos no comestibles que son usados más comúnmente para salchichón y bolonia

## TIPOS DE SALCHICHAS

La mayoría de las salchichas caen dentro de una de cuatro categorías: Frescas, ahumadas, cocidas o secas. Todas las salchichas, excepto las secas, requieren ser refrigeradas para su almacenamiento. También hay una subcategoría de salchichas ahumadas crudas.

Entre las salchichas ahumadas frescas y las crudas, encontrará sabores como kielbasa o salchicha polaca, salchicha italiana, salchichas para desayuno y muchos otros. Las salchichas ahumadas frescas y crudas requieren cocción antes de comerse y también requieren de almacenamiento refrigerado.

Las salchichas ahumadas y las cocidas incluyen al salami, a la mortadela, a los siempre populares perros calientes y a muchas otras. El ahumado adecuado requiere un ahumadero o un ahumador. Weston ofrece ahumadores de propano para estar al aire libre en varios tamaños (41-0701-W, 41-0301-W, o 41-0401-W). La mayoría de las salchichas ahumadas se calientan antes de servir. Muchas personas piensan que una salchicha ahumada va a durar mucho más tiempo sin echarse a perder, pero esto no es cierto. Las salchichas ahumadas deben ser tratadas de la misma manera que las salchichas frescas en cuanto al almacenamiento. Las salchichas secas requieren un tiempo de procesamiento más largo, ya que se secan al aire durante un largo período de tiempo. Las salchichas curadas en seco incluyen salami, chorizo y pepperoni, entre otras. Las condiciones en las que se seca la carne son muy exigentes; la temperatura, el tiempo y la humedad deben ser monitoreados cuidadosamente para obtener un producto seguro y delicioso.

## ALMACENAMIENTO

Recomendamos sellar al vacío sus salchichas frescas, luego almacenarlas en el refrigerador (por corto tiempo) o en el congelador (por largo tiempo) para obtener el mejor sabor. Weston fabrica diversas selladoras al vacío. Pida su selección al vendedor donde compró esta unidad. Almacene los productos curados secos y sin refrigerar en papel u otra envoltura transpirable.



Grupo HB PS, S.A. de C.V.  
 Monte Elbruz No. 124 – 401  
 Col. Polanco V Sección, Miguel Hidalgo  
 Ciudad de México, C.P. 11560

GARANTÍA PARA PRODUCTOS COMPRADOS EN MÉXICO		
PRODUCTO:	MARCA:	MODELO:
<p>Grupo HB PS, S.A. de C.V. cuenta con Centros de Servicio autorizados. Por favor consulte en la lista anexa el nombre y dirección de los establecimientos en la República Mexicana en dónde usted podrá hacer efectiva la garantía, obtener partes, componentes, consumibles y accesorios; así como también obtener servicio para productos fuera de garantía. Para mayor información llame al: <b>Centro de Atención al Consumidor: 800 95 30 121</b></p>		
<p>Grupo HB PS, S.A. de C.V. le otorga a partir de la fecha de compra:  <b>GARANTÍA DE 5 AÑOS.</b></p>		
COBERTURA		
<ul style="list-style-type: none"> <li>Esta garantía ampara, todas las piezas y componentes del producto que resulten con defecto de fabricación incluyendo la mano de obra.</li> <li>Grupo HB PS, S.A. de C.V. se obliga a reemplazar, reparar o reponer, cualquier pieza o componente defectuoso; proporcionar la mano de obra necesaria para su diagnóstico y reparación, todo lo anterior sin costo adicional para el consumidor.</li> <li>Esta garantía incluye los gastos de transportación del producto que deriven de su cumplimiento dentro de su red de servicio.</li> </ul>		
LIMITACIONES		
<ul style="list-style-type: none"> <li>Esta garantía no ampara el reemplazo de piezas deterioradas por uso o por desgaste normal, como son: cuchillas, vasos, jarras, filtros, etc.</li> <li>Grupo HB PS, S.A. de C.V. no se hace responsable por los accidentes producidos a consecuencia de una instalación eléctrica defectuosa, ausencia de toma de tierra, clavija o enchufe en mal estado, etc.</li> </ul>		
EXCEPCIONES		
<p>Esta garantía no será efectiva en los siguientes casos:</p> <p>a) Cuando el producto se hubiese utilizado en condiciones distintas a las normales. (Uso industrial, semi-industrial o comercial.)</p> <p>b) Cuando el producto no hubiese sido operado de acuerdo con el instructivo de uso.</p> <p>c) Cuando el producto hubiese sido alterado o reparado por personas no autorizadas por Grupo HB PS, S.A. de C.V. el fabricante nacional, importador o comercializador responsable respectivo.</p> <p>El consumidor puede solicitar que se haga efectiva la garantía ante la propia casa comercial donde adquirió su producto, siempre y cuando Grupo HB PS, S.A. de C.V. no cuente con talleres de servicio.</p>		
PROCEDIMIENTO PARA HACER EFECTIVA LA GARANTÍA		
<ul style="list-style-type: none"> <li>Para hacer efectiva la garantía, lleve su aparato al Centro de Servicio Autorizado más cercano a su domicilio (consulte la lista anexa).</li> <li>Si no existe Centro de Servicio Autorizado en su localidad llame a nuestro Centro de Atención al Consumidor para recibir instrucciones de cómo hacer efectiva su garantía.</li> </ul>		
FECHA DE ENTREGA	SELLO DEL VENDEDOR	QUEJAS Y SUGERENCIAS
DÍA ___ MES ___ AÑO ___		<ul style="list-style-type: none"> <li>Si desea hacer comentarios o sugerencias con respecto a nuestro servicio o tiene alguna queja derivada de la atención recibida en alguno de nuestros Centros de Servicio Autorizados, por favor dirigirse a:  <b>GERENCIA INTERNACIONAL DE SERVICIO - 800 95 30 121</b>            Email: <a href="mailto:mexico.service@WestonSupply.com">mexico.service@WestonSupply.com</a></li> </ul>
CENTROS DE SERVICIO AUTORIZADOS		
<b>Ciudad de México</b> ELECTRODOMÉSTICOS Av. Plutarco Elias Calles No. 1499 Zacahuiztco, Benito Juárez, Ciudad de México, C.P. 09490 Tel: 55 2325 2323		<b>Nuevo León</b> FERNANDO SEPÚLVEDA REFACCIONES Ruperto Martínez No. 238 Ote. Col. Centro, Monterrey, N.L., C.P. 64000 Tel: 81 8343 6700
<b>CASA GARCÍA</b> Av. Patriotismo No. 875-B Mixcoac, Benito Juárez, Ciudad de México, C.P. 03910 Tel: 55 5663 8723		<b>Jalisco</b> SERVICIOS DE MANTENIMIENTO CASTILLO Garibaldi No. 1450 Ladrón de Guevara, Guadalajara, Jalisco, C.P. 44660 Tel: 33 3825 3480

Modelo(s):	Tipos:	Características Eléctricas:
09-0501-W	MG13	120 V~ 60 Hz 250 W
09-0801-W	MG14	120 V~ 60 Hz 375 W
09-1201-W	MG15	120 V~ 60 Hz 550 W

Los modelos incluidos en el instructivo de Uso y Cuidado pueden ir seguidos o no por un sufijo correspondiente a una o varias letras del alfabeto y sus combinaciones, separadas o no por un espacio, coma, diagonal, o guión. Como ejemplos los sufijos pueden ser: "W", "K" y/o "MX".





**BUTCHER SERIES**  
**HACHOIR DE VIANDE**  
**ÉLECTRIQUE**

PARCE QUE NOS PRODUITS BÉNÉFICIENT DE PERFECTIONNEMENTS CONSTANTS APPORTÉS EN USINE, LES ILLUSTRATIONS PRÉSENTES PEUVENT ÊTRE LÉGÈREMENT DIFFÉRENTES DU PRODUIT REÇU.

## MESURES DE SÉCURITÉ IMPORTANTES

**AVERTISSEMENT** – Pour utiliser un appareil électroménager, vous devez toujours prendre des mesures élémentaires de sécurité pour réduire le risque d'incendie, d'électrocution et/ou de blessure corporelle, en particulier les mesures suivantes :

1. Lire toutes les instructions.
2. Cet appareil n'est pas destiné à être utilisé par des personnes (y compris les enfants) dont les capacités physiques, sensorielles ou mentales sont réduites, ou manquant d'expérience et de connaissance, sauf si elles sont étroitement surveillées et instruites sur l'utilisation de l'appareil par une personne responsable de leur sécurité.
3. Cet appareil ne devrait pas être utilisé par des enfants. Garder l'appareil et son cordon hors de la portée des enfants.
4. Une surveillance étroite est requise pour tout appareil utilisé par ou près des enfants. Surveiller que les enfants ne jouent pas avec l'appareil.
5. Toujours débrancher le hachoir de la source d'alimentation lorsqu'il n'est pas utilisé, avant de faire l'entretien, changer les accessoires ou avant de nettoyer l'appareil.
6. Fermer l'appareil (●), puis le débrancher de la prise lorsqu'il n'est pas utilisé, avant d'assembler ou de désassembler des pièces ou avant de le nettoyer. Pour le débrancher, tenir la fiche et la retirer de la prise. Ne jamais tirer sur le cordon.
7. Ne pas faire fonctionner un appareil électroménager avec un cordon ou une fiche endommagée, ou lorsque l'appareil ne fonctionne pas bien ou a été échappé ou endommagé d'une manière quelconque. Le remplacement et la réparation du cordon d'alimentation doivent être faits par le fabricant, son agent de service ou toute personne qualifiée de façon à éviter tout danger. Appeler le numéro de service à la clientèle fourni pour des renseignements concernant l'examen, la réparation ou l'ajustement.
8. Ne jamais utiliser des accessoires ou des pièces d'autres fabricants. Si vous utilisez des pièces d'autres fabricants, la garantie sera annulée et il y a risque d'incendie, d'électrocution ou de blessure.
9. L'utilisation d'accessoires non recommandés ou vendus par le fabricant de l'appareil peut provoquer un incendie, un choc électrique ou blesser quelqu'un.
10. Pour éviter les risques d'électrocution, ne pas immerger le cordon, la fiche, la base ou le moteur dans l'eau ou tout autre liquide.
11. Toujours tenir les doigts à l'écart de la vis sans fin et des couteaux tranchants. Ne jamais mettre les mains dans le hachoir. Il y a risque de graves blessures. Toujours utiliser le poussoir d'aliments fourni. Ne jamais pousser les aliments avec les mains.
12. Ne pas introduire d'aliments avec les mains. Toujours utiliser le poussoir fourni. Éloigner les doigts de la vis sans fin et des lames en tout temps. Ne jamais introduire les mains dans le hachoir. Ceci éprésente un risque de blessures graves.
13. Ne jamais laisser le hachoir sans surveillance. Par précaution, débrancher le hachoir de la source d'alimentation avant de quitter la zone de travail.
14. Éviter tout contact avec les pièces en mouvement. N'insérez jamais d'aliments avec vos mains. Utilisez toujours le poussoir. Attendre que toutes les pièces mobiles soient immobilisées avant de retirer des pièces du hachoir.
15. Pour réduire le risque de blessure grave et les bris du hachoir, attacher les cheveux et les vêtements et retrousser les manches longues avant de mettre l'appareil en marche et d'utiliser le hachoir. Retirer les cravates, bagues, montres, bracelets ou autres bijoux avant de faire fonctionner le hachoir.

16. S'assurer que le hachoir est posé sur une surface de travail stable. S'assurer que les pieds du hachoir sont stables.
17. Éviter le contact du cordon avec une surface chaude. Ne pas utiliser sur une surface chaude. Vérifier que la tension indiquée sur l'appareil correspond à la tension locale avant de connecter l'appareil.
18. Ne placer jamais votre appareil électroménager à proximité ou sur un brûleur électrique ou à gaz chaud ou dans un four chaud.
19. Porter une protection pour les yeux. Porter des lunettes de sécurité. Les lunettes de vue ne sont pas des lunettes de sécurité. Les lunettes de sécurité doivent être conformes aux exigences de la norme ANSI Z87.1. REMARQUE : Les lunettes de sécurité agréées ont la marque Z87 imprimée ou gravée dessus.
20. NE PAS utiliser à l'extérieur.
21. Ne pas utiliser l'appareil à une fin autre que celle pour laquelle elle a été conçue.
22. Ne pas laisser pendre le cordon de la table ou du comptoir et éviter tout contact avec les surfaces chaudes incluant la cuisinière.
23. Ne pas utiliser le hachoir si l'appareil est froid. La température du hachoir doit être d'au moins de 45 °F (7 °C) avant de commencer.
24. Le carter d'engrenage et le couvercle du moteur peuvent devenir chauds pendant le fonctionnement. Cette condition n'est pas anormale. NE PAS toucher ces pièces pendant le fonctionnement et attendre qu'elles aient refroidi après utilisation.
25. AVERTISSEMENT: Des os éclatés peuvent entrer dans le tube digestif d'un animal et entraîner de graves dommages, voire la mort en perforant les parois intestinales ou même l'estomac.
26. Ce hachoir à viande peut hacher des petits os souples d'animaux comme ceux du lapin, de poulets entiers ou poulets en quartiers et d'autres volailles grâce à la fabrication entièrement métallique des appareils.
27. Ne pas hacher des animaux de grande taille dans la mesure où ils sont difficiles à traiter (par exemple, des os de gibier, de porcs ou des vaches).
28. Le couteau de broyage est affûté. Manipuler avec soin.
29. ATTENTION ! Afin d'éviter un danger découlant d'une réinitialisation accidentelle du rupteur thermique, se dispositif ne doit pas être alimenté par l'entremise d'un appareil de connexion externe, comme une minuterie, ou connecté à un circuit qui est régulièrement mis sous et hors tension par le service public.

**CONSERVER CES INSTRUCTIONS**

## LISTE DES COMPOSANTS

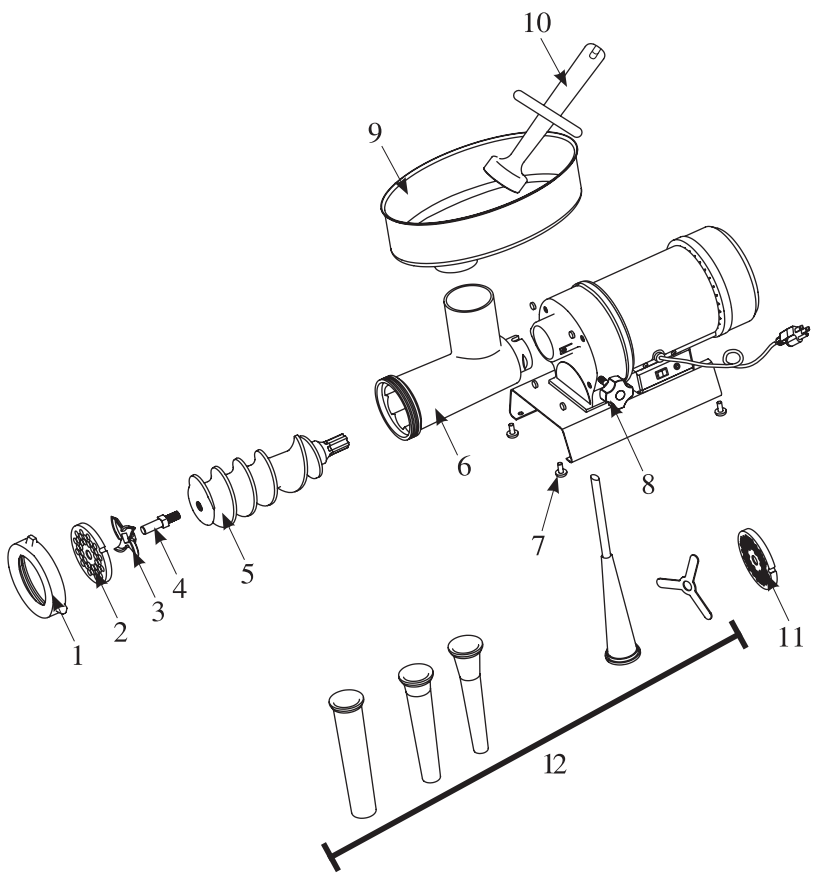
NUMÉRO DU SCHÉMA	DESCRIPTION DES PIÈCES
1	ÉCROU ANNULAIRE AVANT
2	PLAQUE DE HACHAGE 4,5 MM
3	COUTEAU DE BROYAGE
4	GOUPILLE DE VIS SANS FIN
5	VIS SANS FIN
6	EN ACIER INOXYDABLE
7	PIEDS EN CAOUTCHOUC AVEC ÉCROUS (4)
8	BOUTON DE VERROUILLAGE DE LA TÊTE
9	PLATEAU EN ACIER INOXYDABLE
10	POUSSOIR DE SÉCURITÉ
11	PLAQUE DE HACHAGE 7 MM
12	ASSEMBLEE STUFFER

ASSEMBLEE STUFFER
ÉTOILE DE BOURRAGE EN ACIER INOXYDABLE
ENTONNOIR 10 MM EN ACIER INOXYDABLE À VITESSE ÉLEVÉE
ENTONNOIR 20 MM
ENTONNOIR 30 MM
ENTONNOIR 40 MM

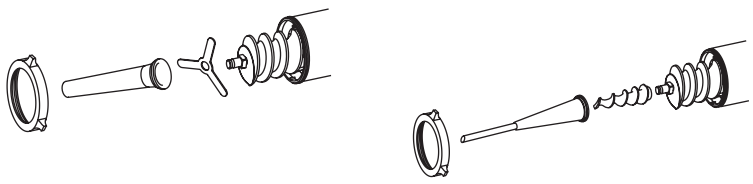
N'hésitez pas à visiter notre site Web [WestonBrands.com/support](http://WestonBrands.com/support) si un composant est cassé, l'outil fonctionne mal, ou pour commander un nouveau mode d'emploi.

**WestonBrands.com**





**ASSEMBLEE STUFFER**      **FARCE RAPIDE ASSEMBLEE AUGER**



## INSTRUCTIONS DE DÉBALLAGE

Retirez toutes les pièces de matériaux d'emballage et vérifiez pour être sûr qu'il n'y a pas de pièces manquantes.

Conservez les matériaux d'emballage pour le stockage des pièces Grinder Grinder lorsqu'il ne sert pas.

**AVANT LA PREMIÈRE UTILISATION** : Après avoir déballé l'appareil, laver toutes les pièces, sauf le socle-moteur du hachoir, dans de l'eau chaude savonneuse. Rincer et sécher complètement. Essayer le socle-moteur avec un linge ou une éponge humide.

## AUTRES RENSEIGNEMENTS SUR LA SÉCURITÉ

**⚠ AVERTISSEMENT** **Risque de choc électrique** : Cet appareil est fourni avec une fiche à prise de terre (3 broches) pour réduire le risque de choc électrique. La fiche ne tient que dans un sens dans une prise mise à la terre. Ne pas transformer le dispositif de sécurité de la fiche en modifiant celle-ci de quelque façon ou en utilisant un adaptateur. Si vous ne pouvez pas insérer la fiche dans la prise, faire remplacer la prise par un électricien.

La longueur du cordon installé sur cet appareil a été sélectionnée afin de réduire les risques d'enchevêtrement ou de faux pas causés par un fil trop long. L'utilisation d'une rallonge approuvée est permise si le cordon est trop court. Les caractéristiques électriques de la rallonge doivent être équivalentes ou supérieures aux caractéristiques de l'appareil. La rallonge doit être du type à mise à la terre, à 3 fils. Prendre toutes les précautions nécessaires pour installer la rallonge de manière à ne pas la faire courir sur le comptoir ou sur une table pour éviter qu'un enfant ne tire sur le cordon ou trébuche accidentellement.

Si l'assemblage de couteau se bloque et refuse de bouger, ceci peut endommager le moteur. Ne pas utiliser. Appeler le numéro sans frais du service à la clientèle pour obtenir plus d'information.

# INSTRUCTIONS DE NETTOYAGE

**⚠ AVERTISSEMENT** **Risque de décharge électrique.** Débrancher l'appareil avant de le nettoyer, le démonter ou l'assembler. Ne pas immerger le cordon, la fiche ou le moteur dans l'eau ou tout autre liquide.

**AVANT LA PREMIÈRE UTILISATION :** Après avoir déballé l'appareil, laver toutes les pièces, sauf le socle-moteur du hachoir, dans de l'eau chaude savonneuse. Rincer et sécher complètement. Essuyer le socle-moteur avec un linge ou une éponge humide.

1. Débrancher le hachoir à viande de la prise de courant.
2. Retirer l'ensemble tête du moteur du hachoir.
3. Démonter l'ensemble de tête.
4. Laver toutes les pièces qui entrent en contact avec la viande dans de l'eau chaude et savonneuse. **TOUJOURS NETTOYER IMMÉDIATEMENT APRÈS EMPLOI. NE JAMAIS IMMÉRGER LE MOTEUR DANS L'EAU OU TOUT AUTRE LIQUIDE.**
5. Rincer les pièces du hachoir avec de l'eau claire et chaude et les sécher **IMMÉDIATEMENT.**
6. Lubrifier entièrement la tête, les plaques et le couteau avec un vaporisateur de silicone de qualité alimentaire avant et après chaque utilisation.
7. Nettoyer le couvercle du moteur ainsi que le boîtier d'engrenage avec un chiffon humide et bien essuyer ensuite.  
**IMPORTANT :** Toutes les pièces métalliques doivent être vaporisées de silicone qualité alimentaire en prévention de la rouille; si ces pièces ne sont pas protégées correctement, elles vont très rapidement commencer à rouiller. **NE PAS** utiliser de pièces rouillées. Des informations sur les commandes sont disponibles à la dernière page de ce manuel d'instructions.
8. Assurez-vous que le broyeur et tous les composants sont secs avant de monter complètement ou de le ranger.

## DÉSINFECTION

Désinfecter toutes les pièces en contact avec les aliments au moins une fois par jour et/ou immédiatement après chaque utilisation. Désinfecter en utilisant une solution de 1 c. à soupe (15 ml) de javellisant domestique par 1 gal (3,8 litres) d'eau propre et froide (60 °F /16 °C) mélangée selon les instructions du fabricant du javellisant.

1. Immerger toutes les pièces en contact avec les aliments dans la solution pendant 2 minutes.
2. Essuyer l'extérieur avec un linge humidifié de la solution de désinfection.
3. Rincer à l'eau claire **avant de les utiliser à nouveau.**

## INSTRUCTIONS POUR LE MONTAGE D'UN HACHOIR

**⚠ AVERTISSEMENT Risque de enchevêtrement.** Pour éviter les blessures graves ou mortelles, ne jamais introduire les doigts dans la trémie. Veuillez toujours utiliser un pilon. Ne jamais faire fonctionner sans que le plateau soit installé. Veuillez attacher les cheveux longs et les vêtements amples avant d'utiliser. Débrancher de la source d'alimentation avant d'assembler. Toujours lire les instructions.

1. Insérer la tête dans le boîtier d'engrenage avec la chute des aliments faisant face toute droite. Il faut aligner la fente de la tête avec la goupille à l'intérieur du boîtier d'engrenages. S'assurer que la tête est correctement logée dans le boîtier d'engrenages (**FIGURE 1**).

2. Serrer le bouton de verrouillage de la tête pour bloquer la tête.

3. Insérer la vis sans fin sur la tête (**FIGURE 2**). Aligner les cannelures de la vis sans fin à l'arbre d'entraînement du hachoir.

**REMARQUE:** Inspecter régulièrement le roulement de la vis sans fin pour détecter toute trace d'usure. Si le roulement de la vis sans fin est particulièrement usé, le remplacer immédiatement pour ne pas endommager la tête.

4. Placer le couteau sur la partie carrée de la goupille de la vis sans fin (**FIGURE 2**). S'assurer que les lames du couteau sont dirigées avec l'extérieur.

5. Placer l'une des plaques de hachage sur la vis sans fin; aligner l'encoche de la plaque de hachage à la goupille de la tête du hachoir.

6. Installer l'écrou annulaire avant. **NE PAS SERRER AVEC EXCÈS.** Tourner l'écrou annulaire avant jusqu'à ce qu'il entre en contact avec la plaque de hachage, et faire un autre 1/4 de tour pour bloquer.

7. Insérer le col du plateau dans la chute d'aliments (**FIGURE 3**).

8. **NE JAMAIS** utiliser le hachoir sans le plateau bien fixé (**FIGURE 3**).

VOIR LA SECTION INSTRUCTIONS POUR HACHER LA VIANDE

FIGURE 1

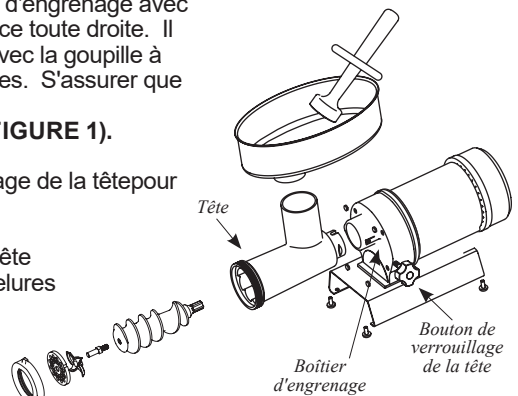
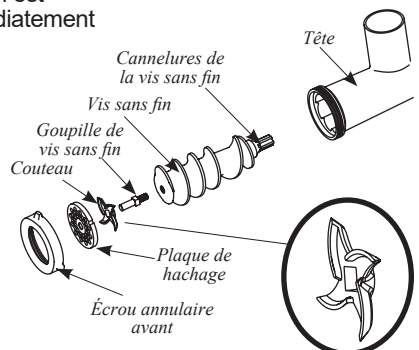
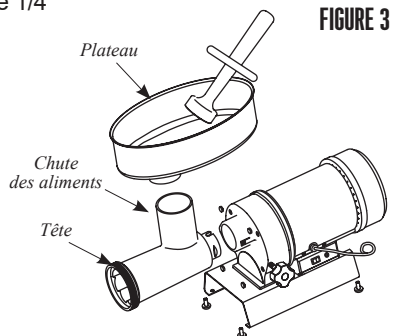


FIGURE 2



**REMARQUE:** S'assurer que les lames du couteau sont dirigées vers l'extérieur.

FIGURE 3



# INSTRUCTIONS POUR HACHER

**⚠ AVERTISSEMENT Risque de enchevêtrement.** Pour éviter les blessures graves ou mortelles, ne jamais introduire les doigts dans la trémie. Veuillez toujours utiliser un pilon. Ne jamais faire fonctionner sans que le plateau soit installé. Veuillez attacher les cheveux longs et les vêtements amples avant d'utiliser. Débrancher de la source d'alimentation avant d'assembler. Toujours lire les instructions.

**⚠ MISE EN GARDE Risque de brûlure.** Le carter d'engrenage et le couvercle du moteur peuvent devenir chauds pendant le fonctionnement. Cette condition n'est pas anormale. **NE PAS** toucher ces pièces pendant le fonctionnement et attendre qu'elles aient refroidi après utilisation.

1. Procéder selon les Instructions de montage du hachoir pour assembler le hachoir y compris le plateau.

REMARQUE: Il est recommandé de commencer par hacher la viande en morceaux grossiers avec la plaque de hachage de 7 mm. Pour hacher la viande plus finement, passer la viande par le hachoir une deuxième fois avec la plaque de hachage de 4,5 mm.

2. Enlever tous les cordons, tendons, os, etc. de la viande.

3. Pour obtenir de meilleurs résultats, s'assurer que la viande a été refroidie à 0-1 °C) avant d'être hachée. **NE JAMAIS LAISSER DE LA VIANDE PLUS LONGTEMPS QUE REQUIS À UNE TEMPÉRATURE AMBIANTE.** Toujours suivre les instructions de la section Salubrité des aliments telles que stipulées par l'USDA.

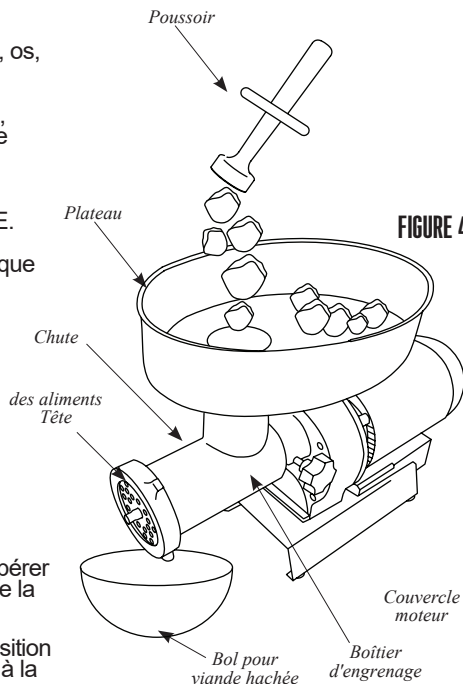
4. Couper la viande en morceaux suffisamment petits pour pouvoir passer par la chute d'aliments. En cubes de 2,5 cm environ.

5. Placer la viande en cube prête à être hachée sur le plateau. Ne pas surcharger le plateau, placer une quantité suffisante de viande de manière à ce que la zone de la chute d'aliments soit libre.

6. Placer un plat ou un bol pour récupérer la viande hachée lorsqu'elle tombe de la tête du hachoir (**FIGURE 4**).

7. S'assurer que le hachoir est en position d'arrêt (OFF). Raccorder le hachoir à la source d'alimentation.

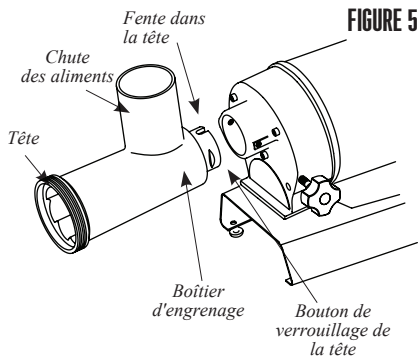
8. Mettre le hachoir en position d'avancement (FWD). Placer soigneusement des cubes de viande dans la chute d'aliments. **POUR POUSSER LA VIANDE DANS LA TÊTE, UTILISER UNIQUEMENT LE POUSSOIR D'ALIMENTS. NE PAS UTILISER LES DOIGTS OU UN AUTRE OBJET.**



## INSTRUCTIONS D'ASSEMBLAGE D'UN REMPLISSEUR STANDARD

**⚠ AVERTISSEMENT Risque de enchevêtrement.** Pour éviter les blessures graves ou mortelles, ne jamais introduire les doigts dans la trémie. Veuillez toujours utiliser un pilon. Ne jamais faire fonctionner sans que le plateau soit installé. Veuillez attacher les cheveux longs et les vêtements amples avant d'utiliser. Débrancher de la source d'alimentation avant d'assembler. Toujours lire les instructions.

1. Insérer la tête dans le boîtier d'engrenage avec la chute d'aliment de la tête faisant face toute droite. Il faut aligner la fente de la tête avec la goupille à l'intérieur du boîtier d'engrenages. S'assurer que la tête est correctement logée dans le boîtier d'engrenages (**FIGURE 5**).



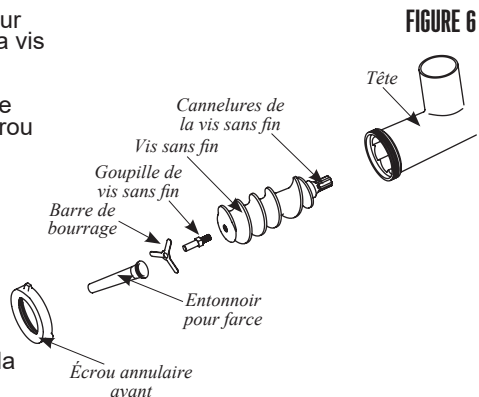
2. Serrer le bouton de verrouillage de la tête pour bloquer la tête.

3. Insérer la vis sans fin dans la tête (**FIGURE 6**). Aligner les cannelures de la vis sans fin à l'arbre d'entraînement du hachoir.

4. Déplacer l'étoile de bourrage sur la partie ronde de la goupille de la vis sans fin.

5. Déplacer l'un des entonnoirs de bourrage par la bride puis par l'écrou annulaire avant.

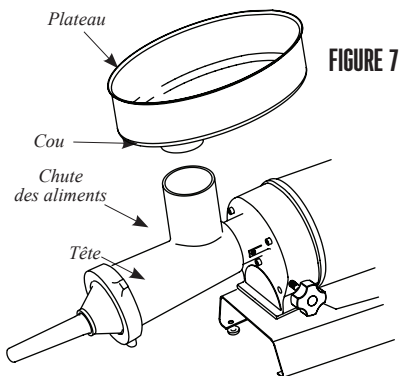
6. Installer l'écrou annulaire avant. **NE PAS SERRER AVEC EXCÈS.** Tourner l'écrou annulaire avant jusqu'à ce qu'il entre en contact avec le support, et faire un autre 1/4 de tour pour bloquer.



7. Insérer le col du plateau dans la chute d'aliments (**FIGURE 7**).

8. **NE JAMAIS** utiliser le hachoir sans le plateau bien fixé (**FIGURE 7**).

VOIR LA SECTION INSTRUCTIONS POUR LE BOURRAGE



# REMPLEUSEUR HAUTE VITESSE INSTRUCTIONS D'ASSEMBLAGE

**⚠ AVERTISSEMENT Risque de enchevêtrement.** Pour éviter les blessures graves ou mortelles, ne jamais introduire les doigts dans la trémie. Veuillez toujours utiliser un pilon. Ne jamais faire fonctionner sans que le plateau soit installé. Veuillez attacher les cheveux longs et les vêtements amples avant d'utiliser. Débrancher de la source d'alimentation avant d'assembler. Toujours lire les instructions.

**REMARQUE:** Le système de bourrage à vitesse élevée a été conçu pour être utilisé avec l'entonnoir de 10 mm UNIQUEMENT. NE PAS utiliser la vis sans fin en plastique à vitesse élevée avec d'autres entonnoirs. La tête du hachoir et les autres composants subiront de sérieux dommages. Respecter les Instructions de montage du remplisseur standard stipulées dans ce manuel, avec des entonnoirs de 20, 30, ou 40 mm.

1. Insérer la tête dans le boîtier d'engrenage avec la chute d'aliments de la tête faisant face droite. Il faut aligner la fente de la tête à la goupille dans le boîtier d'engrenage. S'assurer que la tête est correctement logée dans le boîtier d'engrenages (**FIGURE 8**).

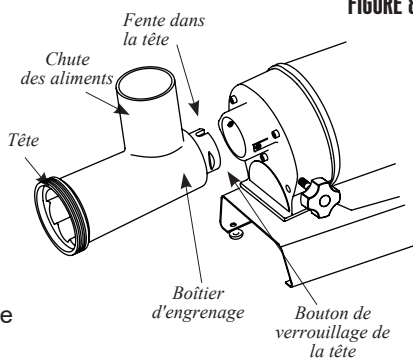


FIGURE 8

2. Serrer le bouton de verrouillage de la tête pour bloquer la tête.

3. Insérer la vis sans fin sur la tête (**FIGURE 9**). Aligner les cannelures de la vis sans fin à l'arbre d'entraînement du hachoir.

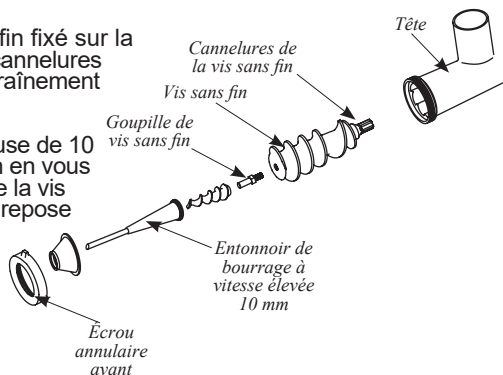


FIGURE 9

4. Glisser l'entonnoir-embosseuse de 10 mm sur la tige de la vis sans fin en vous assurant que la partie carrée de la vis sans fin intérieure en plastique repose complètement sur la partie carrée de la tige de la vis sans fin.

5. Installer l'écrou annulaire avant mais NE PAS LE SERRER EXCESSIVEMENT. Tourner l'écrou annulaire avant jusqu'à ce qu'il entre en contact avec le support, et faire un autre 1/4 de tour pour bloquer.

6. Insérer le col du plateau dans la chute d'aliments (**FIGURE 10**).

7. NE JAMAIS utiliser le hachoir sans le plateau bien fixé (**FIGURE 10**).

VOIR LA SECTION INSTRUCTIONS POUR LE BOURRAGE

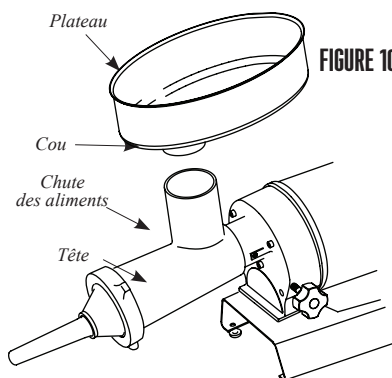


FIGURE 10

## INSTRUCTIONS DE BOURRAGE

**⚠ AVERTISSEMENT Risque de enchevêtrement.** Pour éviter les blessures graves ou mortelles, ne jamais introduire les doigts dans la trémie. Veuillez toujours utiliser un pilon. Ne jamais faire fonctionner sans que le plateau soit installé. Veuillez attacher les cheveux longs et les vêtements amples avant d'utiliser. Débrancher de la source d'alimentation avant d'assembler. Toujours lire les instructions.

**⚠ MISE EN GARDE Risque de brûlure.** Le carter d'engrenage et le couvercle du moteur peuvent devenir chauds pendant le fonctionnement. Cette condition n'est pas anormale. NE PAS toucher ces pièces pendant le fonctionnement et attendre qu'elles aient refroidi après utilisation.

1. Après avoir haché la viande en suivant les Instructions pour hacher la viande, mélanger la viande hachée avec les assaisonnements de saucisses.

2. Respecter les Instructions de montage du remplisseur ou Instructions de montage du remplisseur haute vitesse pour assembler correctement le hachoir comme un remplisseur, y compris le plateau.

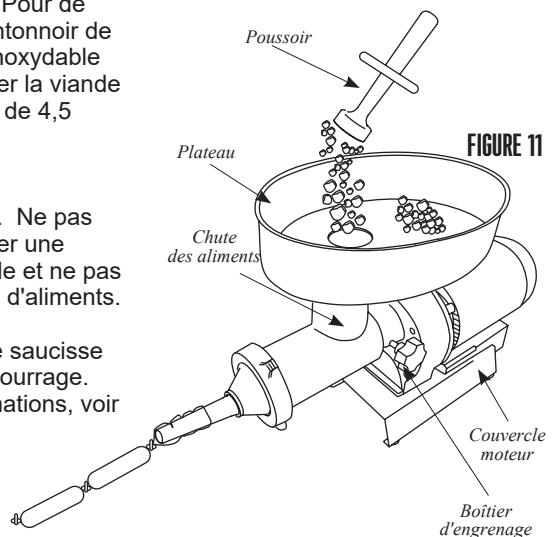
REMARQUE: Bien qu'une seule personne suffise pour faire des saucisses avec ce hachoir, il est recommandé que deux personnes effectuent cette opération. Pour de meilleurs résultats avec l'entonnoir de bourrage 10 mm en acier inoxydable haute vitesse, ne pas hacher la viande avec la plaque de hachage de 4,5 mm.

3. Placer la viande hachée assaisonnée sur le plateau. Ne pas surcharger le plateau. Placer une quantité suffisante de viande et ne pas obstruer la zone de la chute d'aliments.

4. Placer une enveloppe de saucisse par-dessus l'entonnoir de bourrage. Pour de plus amples informations, voir la section Information relative aux saucisses/enveloppes dans ce manuel.

5. Déplacer entre 10 à 15 cm de l'enveloppe de l'extrémité de l'entonnoir de bourrage et faire un nœud à l'extrémité de l'enveloppe. Avec une enveloppe plus fibreuse à grand diamètre, tenir l'extrémité fermée de l'enveloppe bien serrée contre l'extrémité de l'entonnoir de bourrage (**FIGURE 11**).

6. S'assurer que le hachoir est en position d'arrêt (OFF). Raccorder le hachoir à la source d'alimentation.





7. Mettre le hachoir en position d'avancement (FWD). Placer soigneusement la viande dans la chute d'aliments. **POUR POUSSER LA VIANDE DANS LA TÊTE, UTILISER UNIQUEMENT LE POUSSOIR D'ALIMENTS. NE PAS UTILISER LES DOIGTS OU UN AUTRE OBJET.**

8. Tenir l'enveloppe en place d'une main tout en alimentant le mélange de saucisses dans le hachoir. À mesure que la farce remplit l'enveloppe, l'étaler sur une surface propre et sèche. **REMARQUE:** Lors de l'utilisation d'enveloppe naturelle, humidifier la surface.

9. Ne pas remplir les derniers 7,5 à 10 cm de l'enveloppe. Après avoir bourré toute la longueur de l'enveloppe, entortiller l'extrémité ouverte pour la fermer puis nouer les extrémités de l'enveloppe en serrant bien. Entortiller en chapelet.

10. Pour bourrer de la saucisse, remplir lentement l'enveloppe afin d'éviter les poches d'air. Si des poches d'air se forment dans la saucisse, perce les bulles avec une épingle. Les petits trous vont se sceller naturellement.

## INSTRUCTIONS RELATIVES AU DISJONCTEUR

Par mesure de sécurité, ce hachoir est équipé d'un disjoncteur. Si le hachoir cesse de fonctionner, procéder comme suit pour remédier au problème.

1. Mettre le hachoir en position d'Arrêt (OFF).
  2. Inspecter le hachoir afin de déterminer s'il y a un bourrage coincé dans la tête. Si c'est le cas, il faut éliminer l'obstruction selon les instructions de la section Conseils pour hacher la viande.
  3. Appuyer sur le bouton de remise à zéro du disjoncteur (**FIGURE 13**).
  4. Remettre le hachoir en marche et reprendre l'opération.
  5. Si le hachoir ne fonctionne toujours pas, s'assurer que la prise électrique murale fonctionne correctement. Brancher un autre appareil pour déterminer si la prise murale fonctionne. S'assurer que le disjoncteur de la maison n'a pas été déclenché. Si aucune des étapes susmentionnées ne parviennent à solution le problème ou si le disjoncteur continue d'éteindre brusquement le hachoir, contacter un représentant du service clientèle.
- AVERTISSEMENT!** CESSER d'utiliser le hachoir si le disjoncteur est déclenché plusieurs fois. L'utilisation continue peut endommager le hachoir de manière permanente et annuler la garantie.

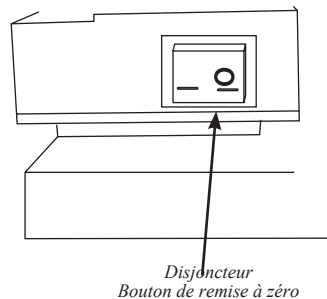


FIGURE 13

**REMARQUE IMPORTANTE:** Ce hachoir dispose d'une transmission par engrenage entièrement en acier trempé. En conséquence, le hachoir fonctionne à des vitesses et des températures supérieures aux autres hachoirs. Ce phénomène est normal et n'a aucune incidence sur la performance du hachoir.

## CONSEILS POUR HACHER LA VIANDE

- NE PAS serrer excessivement l'écrou annulaire avant. Il doit simplement être serré fermement.
- S'assurer que les lames du couteau de hachage sont bien à plat sur la plaque de hachage.
- NE PAS mettre le hachoir en marche sans viande dans la tête. Si le hachoir est utilisé à sec, la tête et la vis sans fin subiront des dommages.
- TOUJOURS lubrifier la tête, la plaque de hachage et le couteau de hachage avec un vaporisateur de silicone alimentaire après le nettoyage.
- Si la plaque de hachage se coince/bouche pendant le fonctionnement, procéder comme suit pour reprendre normalement l'opération.
  - Mettre le hachoir à l'arrêt (OFF) et débrancher le cordon d'alimentation de la prise d'alimentation.
  - Retirer l'écrou annulaire avant ainsi que la plaque de hachage.
  - Nettoyer soigneusement la plaque de hachage. S'assurer que les trous ne sont pas obstrués.
  - Ré-installer la plaque de hachage et l'écrou annulaire avant.
  - Rebrancher le hachoir dans la prise électrique.
  - Poursuivre l'opération.
  - Répéter au besoin.



# SÉCURITÉ ALIMENTAIRE

Il y a des règles fondamentales à suivre lors de la manipulation d'aliments. Elles sont **CUIRE**, **SÉPARER**, **NETTOYER**, et **REFROIDIR RAPIDEMENT**.

## CUIRE

Il est crucial de cuire les aliments à une température interne sûre pour détruire les bactéries qui sont présentes. La sécurité des hamburgers et autres aliments faits avec de la viande hachée a reçu dernièrement beaucoup d'attention, et pour une bonne raison. Quand la viande est hachée, les bactéries présentes sur la surface sont mélangées dans l'ensemble du mélange haché. Si cette viande hachée n'est pas cuite jusqu'à au moins 71oC à 74oC (160oF à 165oF), les bactéries ne seront pas détruites et il y a une forte chance que cela vous rendra malade.

Des morceaux solides de viande comme des steaks et côtelettes n'ont pas de bactéries dangereuses comme E. coli à l'intérieur, donc ils peuvent être servis plus saignants. Quand même, tout morceau de bœuf doit être cuit à une température interne d'au moins 63oC (145oF) (mi-saignant). La température sûre pour la volaille est 75oC (165oF) et les morceaux de porc doivent être cuits à 71oC (160oF).

## SÉPARER

Les aliments qui seront mangés crus et les aliments qui seront cuits avant d'être mangés **DOIVENT TOUJOURS** être séparés. La contamination croisée se produit quand des viandes crues ou des œufs viennent en contact avec des aliments qui seront mangés crus. Ceci est une source principale d'intoxication alimentaire. Enveloppez toujours deux fois les viandes crues et placez-les sur l'étagère la plus basse dans le réfrigérateur de manière qu'aucun jus ne puisse goutter sur les fruits et légumes crus. Puis utilisez les viandes crues entre 1 et 2 jours après l'achat, ou congelez-les pour les conserver plus longtemps. Décongelez les viandes congelées dans le réfrigérateur, pas sur le comptoir.

Quand vous grillez ou cuisez des viandes ou des poissons crus, assurez-vous de mettre la viande cuite sur un plat propre. N'utilisez pas le même plat que vous avez utilisé pour transporter les aliments avant de les mettre sur le grill. Lavez les ustensiles utilisés pour griller après que les aliments sont tournés pour la dernière fois sur le grill, aussi bien que les spatules et cuillers utilisées pour faire sauter à feu vif en remuant ou pour tourner la viande au fur et à mesure qu'elle cuit.

Assurez-vous de bien laver vos mains après avoir manipulé des viandes crues ou des œufs crus. Se laver les mains avec du savon et de l'eau, ou utiliser une lingette antibactérienne pré-humidifiée est absolument nécessaire après avoir touché de la viande crue ou des œufs crus. Ne pas se laver les mains et les surfaces pendant la cuisine est une cause majeure de contamination croisée.

## NETTOYER

Lavez fréquemment vos mains et les surfaces de travail lorsque vous cuisinez. Lavez avec du savon et de l'eau chaude pendant au moins 15 seconds, puis séchez avec une serviette en papier.

## REFROIDIR RAPIDEMENT

La réfrigération rapide des aliments est très importante. La zone de danger où les bactéries se multiplient est entre 4oC et 60oC (40oF et 140oF). Votre réfrigérateur doit être réglé à 4oC (40oF) ou en-dessous; votre congélateur doit être à -17oC (0oF) ou en-dessous. Une règle simple : servir chaud les aliments chauds, servir froid les aliments froids. Utilisez des réchauds ou plaques chauffantes pour garder les aliments chauds pendant le service. Utilisez des bains d'eau glacée pour garder au froid les aliments froids. Ne jamais laisser des aliments à la température ambiante pendant plus de deux (2) heures - 1 heure si la température ambiante est 32oC (90oF) ou au-dessus. Lorsque vous emballez les aliments pour un pique-nique, assurez-vous que les aliments sont déjà refroidis rapidement lorsqu'ils sont mis dans le panier à pique-nique isotherme. Le panier à pique-nique ne refroidira pas les aliments - il garde simplement les aliments froids lorsqu'il est emballé correctement avec de la glace. Les aliments cuits chauds doivent être placés dans des conteneurs peu profonds et immédiatement réfrigérés pour qu'ils se refroidissent rapidement. Assurez-vous de bien couvrir les aliments après qu'ils sont froids.

**REMARQUE :** Des considérations particulières doivent être prises lors de l'utilisation de venaison ou d'autre gibier sauvage, puisqu'ils peuvent devenir très contaminés durant l'opération de dépouille. La venaison est souvent gardée à des températures qui pourraient potentiellement permettre la croissance de bactéries, tel que lorsque celle-ci est transportée. Se référer au Département de la viande et de la volaille de l'USDA (USDA Meat and Poultry Department) pour d'autres questions ou informations sur la sécurité de la viande et des aliments.



# INFORMATIONS SUR LES SAUCISSES

## CHOIX DE VIANDE POUR LA FABRICATION DE SAUCISSE

La fabrication de saucisse s'est développée au cours des nombreuses années et générations, et il en résulte qu'un nombre incalculable de type de saucisses peuvent être fabriquées en utilisant les ingrédients de base de la viande, matière grasse et quelques épices soigneusement mélangées. Ci-dessous, vous trouverez quelques indications simples qui vous aideront à faire des saucisses avec le meilleur goût possible.

Tout type de viande peut être utilisé pour faire des saucisses : porc, bœuf, bison, orignal et caribou, même l'antilope font de la très bonne saucisse. Il est important lors de la préparation de venaison ou d'autres viandes de gibier rouges d'enlever la matière grasse de la viande, car le suif de gibier rouge rancira en aussi peu que cinq jours. Remplacez la matière grasse avec soit de la graisse de porc ou de bœuf, suivant le type de produit que vous faites, à un taux de 0,5 kg (1 livre) de graisse pour chaque 1,8 g (4 livres) de viande de gibier.

La teneur en matière grasse de vos saucisses affectera le goût, la texture, les caractéristiques de cuisson et la durée de conservation de votre produit. La plupart des saucisses fabriquées commercialement ont une teneur en matière grasse d'environ 20%. En utilisant moins de 12% de matière grasse, vous obtiendrez des saucisses avec un goût très sec, alors que si vous utilisez plus de 20%, cela peut résulter en des saucisses collantes et sans goût qui seront très difficiles à cuire.

## SAUMURAGE

Il est important de saumurer correctement les viandes pour conserver la viande et la volaille, et pour détruire les microorganismes indésirables sur les surfaces de la viande qui causent la détérioration et des maladies d'origine alimentaire. Il y a de nombreuses étapes qui aident à ce processus, y compris la fumaison, la cuisson, le séchage, le refroidissement rapide et l'addition d'ingrédients de saumure. Le plus ancien moyen d'accomplir cela est en introduisant le sel dans la viande. La résistance des bactéries au sel varie beaucoup parmi les différents types de bactéries. Le développement de certaines bactéries est inhibé par des concentrations en sel aussi basses que 3%, par exemple. Salmonella, alors que d'autres types peuvent survivre dans de plus hautes concentrations en sel, par exemple, Staphylococcus. Heureusement, le développement de nombreux microorganismes indésirables normalement trouvés dans les viandes et produits de volaille saumurés est inhibé à des basses concentrations de sel.

Le saumurage moderne est basé sur les Nitrates et est très scientifique. Achetez le sel de salage rose Weston (02-0000-W) et suivez les instructions fournies pour vous assurer que vous faites correctement votre saucisse maison.

## BOYAUX

Weston offre une variété complète de boyaux. Le bon choix dépend de la préférence personnelle aussi bien que le type de saucisse que vous désirez faire. Pour la plupart des saucisses, vos choix sont "naturel" ou "collagène". Ne laissez pas les noms vous tromper; les boyaux en collagène ne sont pas un produit synthétique. Ils sont fabriqués à partir de peau de bœuf et d'autres tissus. Les boyaux en collagène sont uniformes en taille et en texture et ne nécessitent presque aucune préparation. Les boyaux "Naturels" sont les intestins d'agneau, de mouton, porc ou bœuf. Ils sont moins uniformes en taille et nécessitent une préparation. Il existe également des boyaux non comestibles en matière fibreuse qui sont le plus couramment utilisés pour le saucisson d'été et la mortadelle.

## TYPES DE SAUCISSE

La plupart des saucisses se situent dans une des quatre catégories : Fraîche, Fumée, Cuite ou Sèche. Toutes les saucisses, sauf les sèches, exigent l'entreposage frigorifique. Il y a aussi une sous-catégorie de saucisses fumées non cuites.

Parmi les saucisses fraîches et fumées non cuites, vous trouverez des arômes tels que la kielbasa ou saucisse polonaise, saucisse italienne, saucisse petit déjeuner et beaucoup d'autres. Les saucisses fraîches aussi bien que les saucisses fumées non cuites doivent être cuites avant de les manger et elles nécessitent aussi l'entreposage frigorifique.

Les saucisses fumées et cuites comprennent le salami, le saucisson de Bologne, les toujours aussi populaires hot-dogs et de nombreux autres. La fumaison correcte nécessite un fumeur or appareil pour fumer les aliments. Ceux-ci peuvent être simplement des structures faites maison à partir de bidons Weston offre des fumeurs extérieurs au propane dans une panoplie de grosseurs (41-0701-W, 41-0301-W, ou 41-0401-W). La plupart des saucisses fumées sont réchauffées avant de servir. Un grand nombre de personnes pensent qu'une saucisse fumée durera plus longtemps sans altération, mais cela n'est pas vrai. Les saucisses fumées doivent être traitées de la même manière que les saucisses fraîches en termes d'entreposage.

Les saucisses sèches exigent le temps de transformation le plus long, puisqu'elles sont séchées à l'air pendant une longue période de temps. Weston offre des fumeurs extérieurs au propane dans une panoplie de grosseurs (41-0701-W, 41-0301-W, ou 41-0401-W). Les conditions sous lesquelles la viande est séchée sont très exigeantes; la température, la durée et l'humidité doivent toutes être soigneusement surveillées pour avoir un produit sûr et délicieux.

## ENTREPOSAGE

Pour obtenir de meilleures saveurs, nous recommandons le scellage sous vide pour les saucisses fraîches, puis de les entreposer dans le réfrigérateur (à court terme) ou au congélateur (à long terme). Weston fabrique une variété d'appareils d'emballage sous vide. Demandez au détaillant où vous avez acheté cet appareil de vous parler de sa sélection. Conservez les produits salés à sec dans du papier ou un autre emballage qui respire, non réfrigéré.







## GARANTIE LIMITÉE CINQ ANS DE WESTON

Cette garantie s'applique aux produits achetés et utilisés aux États-Unis et au Canada. Il s'agit de l'unique garantie explicite pour ce produit et elle remplace toute autre garantie ou condition.

Ce produit est garanti comme étant exempt de tout vice matériel ou de main-d'œuvre pendant une durée cinq (5) ans à partir de la date d'achat initiale. Pendant cette période, votre seul recours consiste en la réparation ou au remplacement de ce produit ou de tout composant trouvé défectueux, à notre discrétion. Si le produit ou composant n'est plus disponible, nous le remplacerons par un produit similaire de valeur égale ou supérieure.

Cette garantie ne couvre pas les réparations ou l'entretien non autorisés des produits, les produits vendus « tels quels » par les détaillants, le verre, les filtres, l'usure découlant d'un usage normal, un usage non conforme aux instructions imprimées ou des dommages au produit découlant d'un accident, d'une modification, d'un abus ou d'une utilisation inadéquate. Cette garantie s'applique uniquement à l'acheteur d'origine ou au bénéficiaire d'un cadeau et elle est non transférable. Conserver le reçu d'achat original, car il est nécessaire pour effectuer une réclamation sous garantie. Cette garantie est annulée si le produit est soumis à toute tension et à toute autre forme d'onde autre que celle spécifiée sur l'étiquette des spécifications nominales (p. ex., 120 V ~ 60 Hz).

Nous excluons toutes les réclamations pour des dommages particuliers, accessoires et indirects causés par une violation d'une garantie explicite ou implicite. Toute responsabilité se limite à la somme du prix d'achat. **Toute garantie implicite, y compris toute garantie légale ou condition de qualité marchande ou de conformité à un usage particulier, est déclinée sauf dans la mesure où la loi l'interdit; dans ce cas, une telle garantie ou condition se limite à la durée de cette garantie écrite.**

Cette garantie vous donne des droits légaux spécifiques. Vous pouvez bénéficier d'autres droits reconnus par la loi variant selon l'endroit où vous habitez. Certains états ou certaines provinces ne permettent pas les limitations sur les garanties implicites ou les dommages particuliers, accessoires ou indirects, il est donc possible que les limitations précédentes ne s'appliquent pas à vous.

Avant de renvoyer le produit pour une réparation ou un entretien sous garantie : il doit être propre et exempt de toute particule alimentaire ou de tout autre débris, auquel cas nous vous le retournerons ou nous vous imposerons des frais de nettoyage supplémentaire de 50 \$, à notre discrétion.

Ne pas retourner cet appareil au magasin lors d'une réclamation au titre de cette garantie. Téléphoner au 1.800.814.4895 (001.440.638.3131) hors des États-Unis ou visiter [WestonBrands.com](http://WestonBrands.com). Vous êtes responsable de tous les coûts associés à l'expédition du produit, fret payé d'avance. Si le produit est admissible pour une réparation ou un remplacement sous garantie, nous prendrons en charge le coût de l'expédition du retour. Nous ne sommes pas responsables des dommages dus à l'expédition.

Dans le cas de travaux n'impliquant pas la garantie : Téléphoner au 1.800.814.4895 (001.216.901.6801) hors des États-Unis, du lundi au vendredi, de 8 h à 17 h, HNE, pour obtenir un numéro d'autorisation de retour de marchandise (numéro ARM). Nous refuserons tout retour non accompagné d'un numéro ARM. Notre tarif pour tous les travaux de diagnostic, service, réparation et traitement est de 35 \$/heure. Nous ne commencerons aucun travail de service ou de réparation sans en avoir obtenu l'autorisation préalable. Vous êtes responsable de tous les coûts d'expédition du produit, fret payé d'avance, et pour vous le retourner.



## **ATTENTION!**

PLEASE INSPECT THIS PACKAGE THOROUGHLY FOR MISSING PARTS OR ANY PRODUCT DAMAGE. IF YOUR PRODUCT CONTAINS SHIPPING DAMAGE, PLEASE CONTACT RETAILER FOR ASSISTANCE.

For all other questions regarding product usage, missing parts, product damage, difficulty or warranty activation, please contact the Weston Brands Customer Service Team:  
8:00 am to 5:00 pm ET, Monday thru Friday

**Customer.Service@WestonBrands.com**  
**Weston Brands, LLC, Southern Pines, NC 28387**  
**WestonBrands.com**

Please DO NOT return this item to the retailer before contacting  
Weston Brands Customer Service.

## **SAVE THESE INSTRUCTIONS!**

*Refer to them often and use them to instruct others.*

## **ATTENTION!**

VEUILLEZ INSPECTER CET EMBALLAGE AVEC SOIN POUR Y DÉTECTER  
TOUTE PIÈCE MANQUANTE OU ENDOMMAGÉE.  
SI DES PIÈCES ONT ÉTÉ ENDOMMAGÉES PENDANT LE TRANSPORT, VEUILLEZ  
COMMUNIQUER AVEC LE DÉTAILLANT POUR OBTENIR DE L'AIDE.

Pour toutes les autres questions concernant l'utilisation du produit, les pièces manquantes, les problèmes ou l'activation de la garantie, veuillez communiquer avec l'équipe du service clientèle des produits Weston:  
de 8:00 à 17:00 HNE, du lundi au vendredi.

**Customer.Service@WestonBrands.com**  
**Weston Brands, LLC, Southern Pines, NC 28387**  
**WestonBrands.com**

Veillez communiquer avec le service clientèle des produits Weston AVANT de retourner  
cet appareil au détaillant.

## **CONSERVER CES DIRECTIVES!**

*Veillez les consulter fréquemment et les utiliser pour la formation.*

## **¡ATENCIÓN!**

REVISE COMPLETAMENTE EL ENVASE Y COMPRUEBE QUE NO FALTEN PARTES O QUE ALGÚN PRODUCTO ESTÉ DAÑADO. SI EL PRODUCTO ESTÁ DAÑADO POR EL TRANSPORTE, SOLICITE ASISTENCIA AL DISTRIBUIDOR.

Para todas aquellas preguntas referentes al uso del producto, partes faltantes, daño del producto, dificultad o activación de la garantía, comuníquese con el equipo de servicio al cliente de weston Brands:  
desde las 8:00 am hasta las 5:00 pm ET, de lunes a viernes

**Customer.Service@WestonBrands.com**  
**WestonBrands.com**

NO devuelva este artículo al vendedor minorista antes de comunicarse con Servicio al Cliente de  
Weston Brands.

## **¡GUARDE ESTAS INSTRUCCIONES!**

*Consulte estas instrucciones y úselas para enseñar sobre el uso de este producto a otras personas.*

